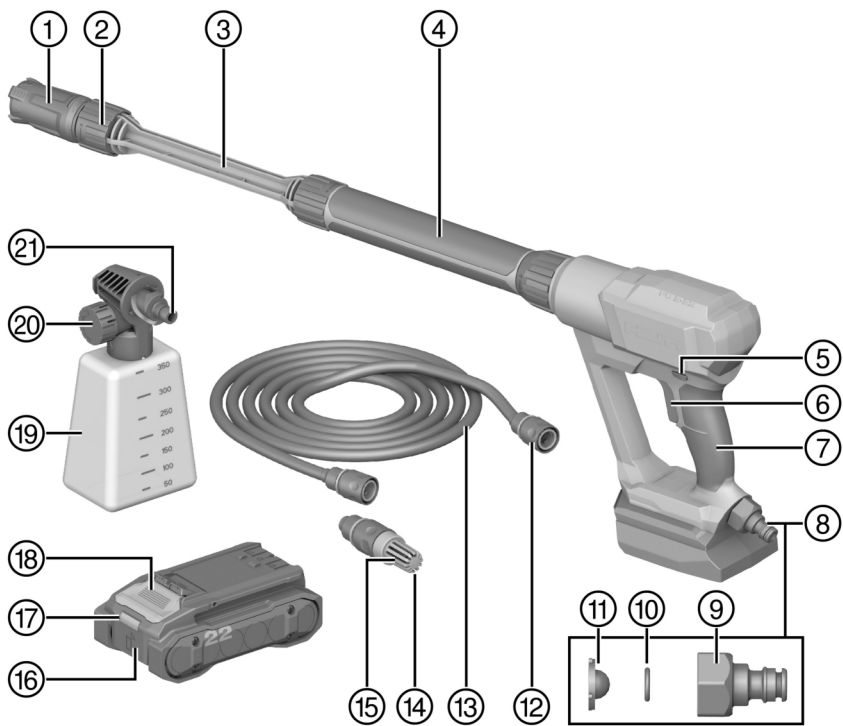
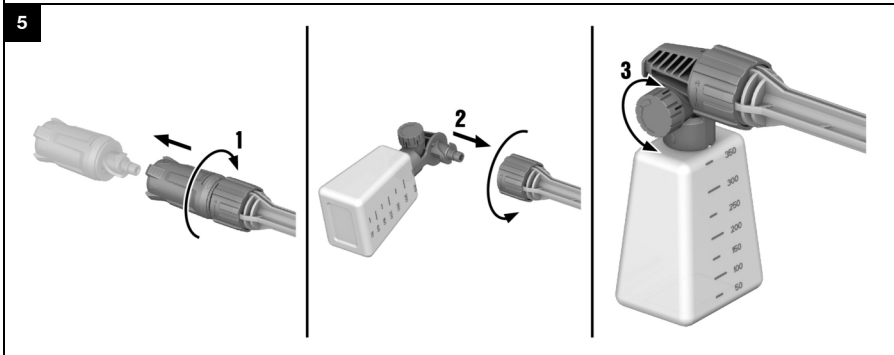
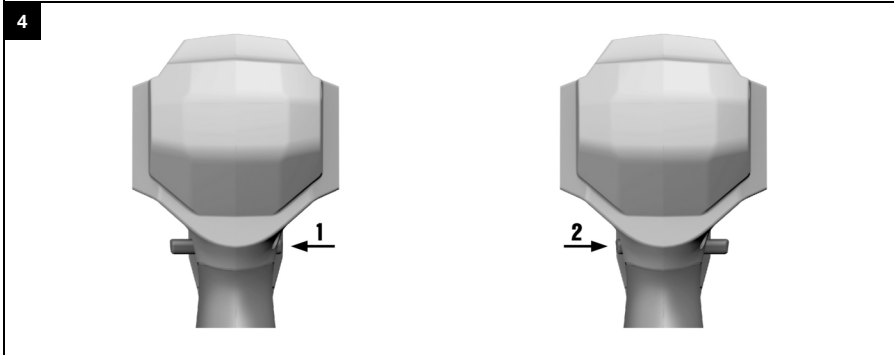
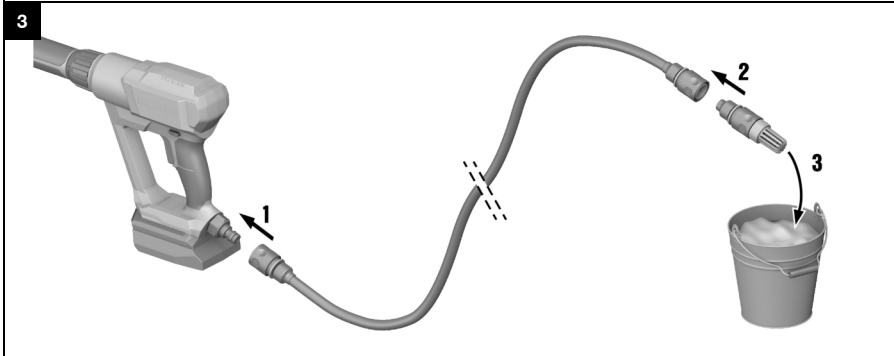
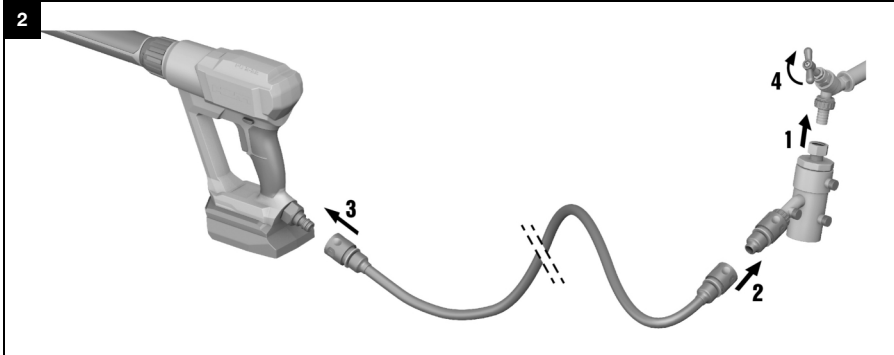




PC 2-22
NURON

English	1
Français	12
Español	25
Português	38

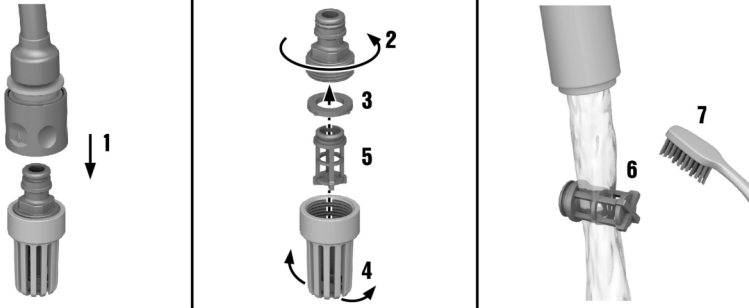




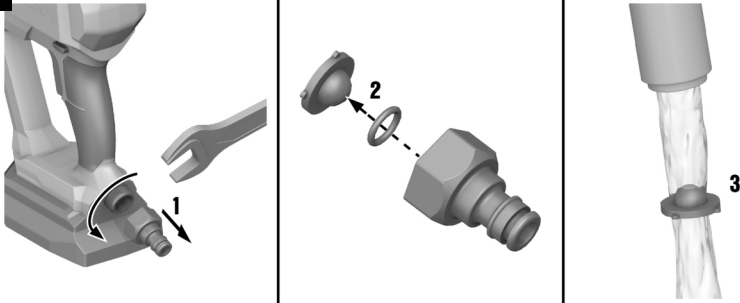
6



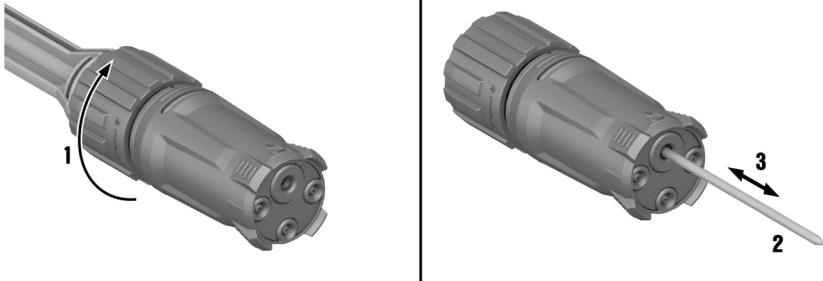
7



8



9



PC 2-22

en	Original operating instructions	1
fr	Mode d'emploi original	12
es	Manual de instrucciones original	25
pt	Manual de instruções original	38

Original operating instructions

1 Information about the operating instructions

1.1 About these operating instructions

- **Warning!** Read and understand all accompanying documentation, including but not limited to instructions, safety warnings, illustrations, and specifications provided with this product. Familiarize yourself with all the instructions, safety warnings, illustrations, specifications, components, and functions of the product before use. Failure to do so may result in electric shock, fire, and/or serious injury. Save all warnings and instructions for future reference.
- products are designed for professional users and only trained, authorized personnel are permitted to operate, service and maintain the products. This personnel must be specifically informed about the possible hazards. The product and its ancillary equipment can present hazards if used incorrectly by untrained personnel or if used not in accordance with the intended use.
- The accompanying documentation corresponds to the current state of the art at the time of printing. Please always check for the latest version on the product's page on Hilti's website. To do this, follow the link or scan the QR code in this documentation, marked with the symbol .
- Ensure that these operating instructions are with the product when it is given to other persons.

1.2 Explanation of symbols

1.2.1 Warnings

Warnings alert persons to hazards that occur when handling or using the product. The following signal words are used:

DANGER

DANGER !

- ▶ Draws attention to imminent danger that will lead to serious personal injury or fatality.

WARNING

WARNING !

- ▶ Draws attention to a potential threat of danger that can lead to serious injury or fatality.

CAUTION

CAUTION !

- ▶ Draws attention to a potentially dangerous situation that could lead to personal injury or damage to the equipment or other property.

1.2.2 Symbols in the operating instructions

The following symbols are used in these operating instructions:

	Comply with the operating instructions
	Instructions for use and other useful information
	Dealing with recyclable materials
	Do not dispose of electric equipment and batteries as household waste
	Hilti Li-ion battery
	Hilti charger

1.2.3 Symbols in illustrations

The following symbols are used in illustrations:

- 2** These numbers refer to the illustrations at the beginning of these operating instructions.



3	The numbering reflects the sequence of operations shown in the illustrations and may deviate from the steps described in the text.
⑪	Item reference numbers are used in the overview illustration and refer to the numbers used in the key in the product overview section.
	These characters are intended to specifically draw your attention to certain points when handling the product.

1.3 Symbols

1.3.1 Symbols on the product

The following symbols can be used on the product:

	The product supports near-field communication (NFC) technology compatible with iOS and Android platforms.
Li-Ion	Li-ion battery
	Do not connect the product directly to the drinking-water system. Use a type BA backflow preventer in accordance with EN 12729. Do not use water that has passed through this backflow preventer as drinking water.
	Never strike the battery with an object and never use the battery as a striking tool.
	Do not drop the battery. Never use a battery that has suffered an impact or is damaged in any other way.
	Hilti Li-ion battery type series used. Observe the information given in the section headed Intended use .
	If applied on the product, the product has been certified by this certification body for the US and Canadian markets according to the applicable standards.

1.4 Product information

products are designed for professional users and only trained, authorized personnel are permitted to operate, service and maintain the products. This personnel must be specifically informed about the possible hazards. The product and its ancillary equipment can present hazards if used incorrectly by untrained personnel or if used not in accordance with the intended use.

The type designation and serial number are printed on the rating plate.

- ▶ Write down the serial number in the table below. You will be required to state the product details when contacting Hilti Service or your local Hilti organization to inquire about the product.

Product information

Cordless high-pressure cleaner	PC 2-22
Generation	01
Serial no.	

2 Safety

2.1 General safety instructions

In addition to the safety instructions given in the various sections of these operating instructions, the following points must be strictly observed at all times.

- ▶ **Read all the instructions!** Failure to follow all the instructions listed below may result in electric shock, fire and/or serious injury.
- ▶ **Never tamper with or modify the product or accessories in any way.**
- ▶ **Use the right appliance for the job. Do not use the appliance for purposes for which it was not intended. Use it only as directed and when in faultless condition.**
- ▶ **Before beginning work with the power tool, find out how to operate it correctly and about any hazards associated with the material and how the liquid produced can be disposed of.**
- ▶ **Take the influences of the surrounding area into account. Do not use the appliance where there is a risk of fire or explosion.**



- ▶ **WARNING! The appliance may only be used by persons who are familiar with it, have been trained on how to use it safely and who understand the resulting hazards. The appliance is not intended for use by children. Children must be supervised in order to ensure that they don't play with the appliance.**
- ▶ **The high-pressure cleaner is not suitable for use by persons with reduced physical, sensory or mental abilities or lack of experience and knowledge.**
- ▶ **Store appliances in a secure place when not in use. When not in use, appliances must be stored in a dry, high place or locked away out of reach of children.**

2.2 Personal safety

- ▶ **Stay alert, watch what you are doing and use common sense when working with the product. Do not use the high-pressure cleaner while you are tired or under the influence of drugs, alcohol or medication.** A moment of inattention while operating the power tool can result in serious personal injury.
- ▶ **Avoid unaccustomed body positions. Maintain proper footing and balance at all times.** This will allow you to control the high-pressure cleaner better, even in unexpected situations.
- ▶ The high-pressure cleaner's jet of water creates a recoil. Use both hands to hold the product firmly by the grip and the gripping surface.
- ▶ Before putting the product into operation, always point the spray nozzle in a safe direction.
- ▶ **WARNING! Failure to follow the correct procedures when using a high-pressure cleaner can be dangerous.** Do not undertake cleaning when anyone unprotected is in the danger zone. Never direct the jet of water toward persons, children or living creatures.
- ▶ **WARNING! Never direct the jet toward yourself or toward other persons, for example to clean clothing or footwear.**
- ▶ **Keep fingers, hands, feet and other parts of the body away from the jet of water.** The high-pressure jet of water can lead to injuries and is powerful enough for example to lead to loss of eyesight if the jet is started when too near.
- ▶ **Always wear a mask when cleaning areas badly contaminated by dust.** Dust swirled up by the jet of water can lead to injuries.
- ▶ **Always wear eye protection when using the product.** This will prevent injury to the eyes and loss of sight.
- ▶ **WARNING! The use of high-pressure cleaners can result in the formation of aerosols.** Inhaling aerosols can be hazardous to health. Consequently, wear a dust mask.
- ▶ **WARNING! Risk of explosion - Do not spray flammable liquids.**
- ▶ Perform a risk assessment to define the necessary protective measures against aerosols depending on the surface to be cleaned and your surroundings. FFP2 dust masks, equivalent or higher-rated dust masks are suitable as protection against aqueous aerosols.
- ▶ **You and all other persons in the vicinity must wear suitable protective gear while the power tool is in use or while maintenance work on it is being carried out.** This includes: eye protection, hard hat, hearing protection, protective gloves, safety footwear and light respiratory protection.
- ▶ **Observe the accident prevention regulations applicable in your country.**

2.3 Workplace

- ▶ **Ensure that the workplace is well lit.**
- ▶ **Ensure that the workplace is well ventilated.** Poorly ventilated workplaces can result in damage to health because of inhalation of aerosols and exposure to dust.
- ▶ **Keep the workplace tidy. Objects which could cause injury should be removed from the working area.** Untidiness at the workplace can lead to accidents.
- ▶ **Do not operate the appliance in explosive atmospheres, such as in the presence of flammable liquids, gases or dust.** Electric appliances cause sparks which may ignite the dust or fumes.

2.4 Electrical safety

- ▶ **Avoid body contact with earthed or grounded surfaces such as pipes, radiators, cookers, stoves and refrigerators.** There is an increased risk of electric shock if your body is grounded.
- ▶ **Never direct the jet of water directly on to electrical or electronic devices.**

2.5 Additional safety instructions

- ▶ Use the product and accessories only when they are in perfect working order.



- ▶ **Risk of injury by falling tools and/or accessories.** Before starting work, check that the battery and installed accessories are secure.
- ▶ Switch the high-pressure cleaner off also when you are leaving the power tool unattended for only a short time.
- ▶ **WARNING!** Do not connect the product directly to the drinking-water system. Use a backflow preventer in accordance with EN 12729 Typ BA. Do not use water that has passed through this backflow preventer as drinking water.
- ▶ **WARNING!** Spare parts and accessories are important for ensuring the safety of the high-pressure cleaner. Consequently, use only original spare parts and accessories recommended or produced by the manufacturer.
- ▶ **WARNING!** High-pressure hoses, fittings and couplings are important for the safety of the high-pressure cleaner. Use only hoses, fittings and couplings recommended by the manufacturer.
- ▶ **WARNING!** This power tool is designed for use with the cleaning agent supplied with it or recommended by the manufacturer. Use of other cleaning agents or chemicals can impair the safety of the power tool.
- ▶ **WARNING!** Failure to follow the correct procedures when using high-pressure nozzles can be dangerous. Do not direct the jet toward persons, live electrical equipment or the machine itself.
- ▶ Always use the high-pressure cleaner with the original intake filter.
- ▶ Never use the high-pressure cleaner in areas where flammable dust, liquids or vapors are present.
- ▶ Use only liquids and cleaning agents that are approved for use with high-pressure cleaners.
- ▶ Use only cleaning agents that have their own material safety data sheet (MSDS) and follow the instructions on the MSDS.
- ▶ Protect eyes, lungs and skin from contact with cleaning agents.
- ▶ Store the high-pressure cleaner inside a closed room to protect it from prolonged exposure to sunlight and from frost. Empty out residual water before you put the high-pressure cleaner into storage. If residual water left inside the high-pressure cleaner freezes and expands, the high-pressure cleaner will suffer damage and will no longer be in working order.

2.6 Careful handling and use of batteries

- ▶ **Comply with the following safety instructions for the safe handling and use of Li-ion batteries.** Failure to comply can lead to skin irritation, severe corrosive injury, chemical burns, fire and/or explosion.
- ▶ Use only batteries that are in perfect working order.
- ▶ Treat batteries with care in order to avoid damage and prevent leakage of fluids that are extremely harmful to health!
- ▶ Do not under any circumstances modify or tamper with batteries!
- ▶ Do not disassemble, crush or incinerate batteries and do not subject them to temperatures over 80 °C (176 °F).
- ▶ Never use or charge a battery that has suffered an impact or been damaged in any other way. Check your batteries regularly for signs of damage.
- ▶ Never use recycled or repaired batteries.
- ▶ Never use the battery or a battery-operated power tool as a striking tool.
- ▶ Never expose batteries to the direct rays of the sun, elevated temperature, sparking, or open flame. This can lead to explosions.
- ▶ Do not touch the battery poles with your fingers, tools, jewelry, or other electrically conductive objects. This can damage the battery and also cause material damage and personal injury.
- ▶ Keep batteries away from rain, moisture and liquids. Penetrating moisture can cause short circuits, electric shock, burns, fire and explosions.
- ▶ Use only chargers and power tools approved for the specific battery type. Read and follow the relevant operating instructions.
- ▶ Do not use or store the battery in explosive environments.
- ▶ If the battery is too hot to touch, it may be defective. Put the battery in a place where it is clearly visible and where there is no risk of fire, at an adequate distance from flammable materials. Allow the battery to cool down. If it is still too hot to touch after an hour, the battery is faulty. Consult **Hilti** Service or read the document entitled "Instructions on safety and use for **Hilti** Li-ion batteries".



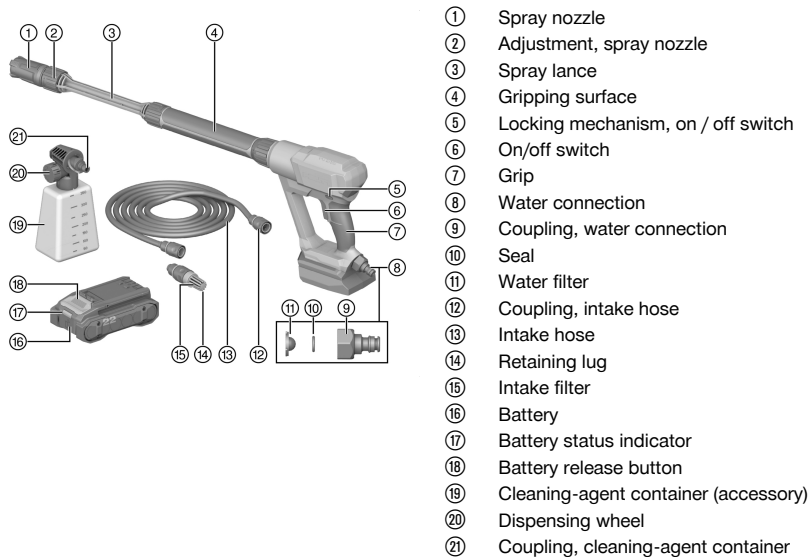
Observe the special guidelines applicable to the transport, storage and use of lithium-ion batteries.
→ page 11

Read the instructions on safety and use of **Hilti** Li-ion batteries that you can access by scanning the QR code at the end of these operating instructions.



3 Description

3.1 Product overview



- ① Spray nozzle
- ② Adjustment, spray nozzle
- ③ Spray lance
- ④ Gripping surface
- ⑤ Locking mechanism, on / off switch
- ⑥ On/off switch
- ⑦ Grip
- ⑧ Water connection
- ⑨ Coupling, water connection
- ⑩ Seal
- ⑪ Water filter
- ⑫ Coupling, intake hose
- ⑬ Intake hose
- ⑭ Retaining lug
- ⑮ Intake filter
- ⑯ Battery
- ⑰ Battery status indicator
- ⑱ Battery release button
- ⑲ Cleaning-agent container (accessory)
- ⑳ Dispensing wheel
- ㉑ Coupling, cleaning-agent container

3.2 Intended use

The product described is a cordless high-pressure cleaner. It is designed for professional use indoors and outdoors, for example for cleaning vehicles, machinery, outdoor facilities, tools, facades, terraces, etc. with water.

Optionally, a cleaning-agent container can be installed on the spray lance.

- For this product, use only **Hilti** Nuron lithium-ion batteries of the B 22 series. For optimum performance, **Hilti** recommends the batteries stated in the table at the end of these operating instructions for this product.
- For these batteries, use only **Hilti** chargers of the type series stated in the table at the end of these operating instructions.

3.3 Items supplied

Cordless high-pressure cleaner, spray lance, spray nozzle, intake hose with intake filter, operating instructions



Other system products approved for use with this product can be found at your local **Hilti Store** or at: www.hilti.group

3.4 Status indicators of the Li-ion battery

Hilti Nuron Li-ion batteries can indicate state of charge, fault messages and the battery's state of health.

3.4.1 Indicators for state of charge and fault messages



WARNING

Risk of injury by a falling battery!

- ▶ If the release button is pressed with a battery inserted in the product, subsequently check that the battery is correctly re-engaged and secure.

Short-press the release button of the battery to get whichever of the following status indications is applicable at the time.



State of charge and, if applicable, faults are indicated constantly as long as the connected product is switched on.

Status	Meaning
Four (4) LEDs show constantly green	State of charge: 100 % to 71 %
Three (3) LEDs show constantly green	State of charge: 70 % to 51 %
Two (2) LEDs show constantly green	State of charge: 50 % to 26 %
One (1) LED shows constantly green	State of charge: 25 % to 10 %
One (1) LED slow-flashes green	State of charge: < 10 %
One (1) LED quick-flashes green	The Li-ion battery is completely discharged. Recharge the battery. If the LED again starts quick-flashing after the battery has been charged, consult Hilti Service .
One (1) LED quick-flashes yellow	The Li-ion battery or the product in which it is inserted is overloaded, too hot or too cold, or experiencing some other fault. Bring the product and the battery to the recommended working temperature and do not overload the product when it is in use. If the message persists, consult Hilti Service .
One (1) LED shows yellow	The Li-ion battery and the product in which it is inserted are not compatible. Consult Hilti Service .
One (1) LED quick-flashes red	The Li-ion battery is locked and cannot be used. Consult Hilti Service .

3.4.2 Indicators showing the battery's state of health

To check the battery's state of health, press the release button and hold it down for longer than three seconds. The system does not detect a potential malfunction of the battery due to misuse, for example battery dropped or pierced, external heat damage, etc.

Status	Meaning
All LEDs show in sequence, followed by one (1) LED showing constantly green.	The battery can remain in use.
All LEDs show in sequence, followed by one (1) LED quick-flashing yellow.	The check to ascertain the battery's state of health did not complete. Repeat the procedure, or consult Hilti Service .
All LEDs show in sequence, followed by one (1) LED showing constantly red.	If a connected product can still be used, the remaining battery capacity is below 50 %. If a connected product can no longer be used, the battery has reached the end of its useful life and has to be replaced. Consult Hilti Service .

3.5 Settings (spray nozzle)

Symbol	Function	Application description
	Flat jet	Cleaning to remove medium soiling
	Sprinkler	Area cleaning to remove medium soiling
	Turbo blaster	Area cleaning to remove severe soiling
	Spot jet	Spot cleaning to remove severe soiling



4 Technical data

4.1 Product properties

	PC 2-22
IP code	IP X5 (Protection against water jets from all directions)
Weight	2.1 kg (4.63 lb)
Nominal pressure	40 bar ±3 bar (580 psi ±44 psi)
Permissible pressure	6 MPa (870 psi)
Water connection	1/2" water hose / coupling
Maximum inflow temperature	40 °C (104.0 °F)
Maximum inflow pressure	0.6 MPa (87 psi)
Nominal flow rate (water)	2.2 ℓ/min (0.58 liq. gal _{US} /min)
Maximum flow rate (water)	4.5 ℓ/min (1.19 liq. gal _{US} /min)
Maximum suction head (only with hose fully filled)	4 m (13 ft - 1 in)
Ambient temperature for operation	0 °C ... 60 °C (32.0 °F ... 140.0 °F)
Storage temperature	-20 °C ... 70 °C (-4.0 °F ... 158.0 °F)

4.2 Battery

Battery operating voltage	21.6 V
Weight, battery	See the end of these operating instructions
Ambient temperature for operation	-17 °C ... 60 °C (1.4 °F ... 140.0 °F)
Storage temperature	-20 °C ... 40 °C (-4.0 °F ... 104.0 °F)
Battery charging starting temperature	-10 °C ... 45 °C (14.0 °F ... 113.0 °F)

5 Preparations at the workplace

WARNING

Risk of injury by inadvertent starting!

- ▶ Before inserting the battery, make sure that the product is switched off.
- ▶ Remove the battery before making any adjustments to the power tool or before changing accessories.

Observe the safety instructions and warnings in this documentation and on the product.

5.1 Charging the battery

1. Before charging the battery, read the operating instructions for the charger.
2. Make sure that the contacts on the battery and the contacts on the charger are clean and dry.
3. Use an approved charger to charge the battery. → page 5



5.2 Inserting the battery

WARNING

Risk of injury by short circuit or falling battery!

- ▶ Before inserting the battery, make sure that the contacts on the battery and the contacts on the product are free of foreign matter.
- ▶ Make sure that the battery always engages correctly.

1. Charge the battery fully before using it for the first time.
2. Push the battery into the product until it engages with an audible click.
3. Check that the battery is seated securely.

5.3 Removing the battery

1. Press the battery release button.
2. Remove the battery from the product.

5.4 Assembling product

All modules (spray nozzle, spray lance, cleaning-agent container) have a universal locking mechanism. The procedure described applies to all modules of the same connection type.

1. Insert the module into the mount.
2. Turn the module clockwise into the lock.
3. Tighten the union nut to secure the module.

5.4.1 Establishing water supply from water line

ATTENTION

Property damage due to incorrectly installed backflow preventer. A backflow preventer installed at the appliance can lead to damage to the high-pressure cleaner.

- ▶ Always install the backflow preventer at the water faucet.
1. Install a backflow preventer at the water connection.
 2. Install one of the couplings of the intake hose on the backflow preventer.
 3. Install the other coupling of the intake hose on the high-pressure cleaner.
 4. Open the water inflow of the water supply.

5.4.2 Establishing water supply from open container

You can use any kind of open container for the water supply. Make sure there are no other liquids and no dirty water in the open container. Always use an intake filter when the water supply is from an open container. This will prevent the intake of foreign matter that would damage the product.

1. Install the coupling of the intake hose supplied on the coupling (water connection) of the product.
2. Connect an intake filter to the coupling on the free end of the intake hose.
3. Lower the intake hose with connected intake filter into an open water container.

5.5 Switching locking mechanism on/off

1. Push the locking mechanism of the on / off switch to the right.
 - ▶ The on / off switch is locked and cannot be accidentally operated.
2. Push the locking mechanism of the on / off switch to the left.
 - ▶ The on / off switch can be operated.

5.6 Installing cleaning-agent container (accessory)

1. Remove the spray nozzle from the spray lance.
2. Install the cleaning-agent container on the spray lance.
3. Use the dispensing wheel to regulate the amount of cleaning agent to be dispensed.
 - ▶ Turn the dispensing wheel to the left for more cleaning agent.
 - ▶ Turn the dispensing wheel to the right for less cleaning agent.



5.7 Fall arrest

WARNING

Risk of injury by falling tool and/or accessory!

- ▶ Use only the **Hilti** tool tether recommended for your product.
- ▶ Prior to each use, always check the attachment point of the tool tether for possible damage.



Comply with the national regulations for working at heights.

As drop arrester for this product, use only the **Hilti** tool tether #2261971.

- ▶ Use the loop to secure the tool tether to the product as shown in the illustration. Check that it holds securely.
- ▶ Secure the carabiner to a load-bearing structure. Check that the carabiner holds securely.



Comply with the operating instructions of the **Hilti** tool tether.

6 Operation

6.1 Instructions for safe operation

Before each use, check that the product builds up pressure within a maximum of 2 minutes. Avoid dry running and dry operation of the product. Dry operation over a certain time can damage the product.

Always choose the operating mode that suits the degree of soiling and the sensitivity of the material. Excessively high water pressure can cause damage to surfaces. Avoid excessively high pressure settings () and nozzle-to-surface distances less than 30 cm, for example when cleaning painted surfaces, sensitive wood surfaces or tires.

The self-priming function works only up to a height difference of 1.2 meters. Make sure that the intake hose has filled with water before you work at a height of more than 1.2 meters.

6.2 Switching product on or off

Switching product on

1. Press and hold down the on/off switch.
 - ▶ The pump starts and a jet of water is discharged.



- Do not exceed the maximum suction head when you route the water infeed line. The pump's self-priming function works up to a maximum height difference of 1.2 m.
- If the product does not build up pressure after 2 minutes, cease operation and troubleshoot the problem → page 11.

2. Carry out the cleaning task.

Switching product off

3. Release the on/off switch.
 - ▶ Pump and water inflow are stopped.



If you are going to store the product at temperatures near or below freezing, remove all traces of water from the product and all supply lines.

7 Care and maintenance

WARNING

Risk of injury with battery inserted!

- ▶ Always remove the battery before carrying out care and maintenance tasks!



Care of the product

- Carefully remove stubborn dirt.
- Carefully clean the air vents, if present, with a dry, soft brush.
- Use only a slightly damp cloth to clean the housing. Do not use cleaning agents containing silicone as these can attack the plastic parts.
- Use a dry, clean cloth to clean the contacts of the product.

Care of the Li-ion batteries

- Never use a battery with clogged air vents. Clean the air vents carefully using a dry, soft brush.
- Avoid unnecessary exposure of the battery to dust and dirt. Never expose the battery to high levels of moisture (e.g. by being dipped in water or left in the rain).

If a battery has been soaked by moisture, treat it as a damaged battery. Isolate it in a non-flammable container and consult **Hilti Service**.

- Keep the battery free of extraneous oil and grease. Do not permit dust or dirt to accumulate unnecessarily on the battery. Clean the battery with a dry, soft brush or a clean, dry cloth. Do not use cleaning agents containing silicone as these can attack the plastic parts.
Do not touch the contacts of the battery and do not remove the factory-applied grease from the contacts.
- Use only a slightly damp cloth to clean the housing. Do not use cleaning agents containing silicone as these can attack the plastic parts.

Maintenance

- Check all visible parts and controls for signs of damage at regular intervals and make sure that they all function correctly.
- Do not use the product if signs of damage are found or if parts malfunction. Immediately have the product repaired by **Hilti Service**.
- After cleaning and maintenance, install all guards and protective devices and check that they are in full working order.



To help ensure safe and reliable operation, use only genuine Hilti spare parts and consumables. Spare parts, consumables and accessories approved by **Hilti** for use with your product can be found at your **Hilti Store** or online at: www.hilti.group

7.1 Cleaning intake filter 

1. Remove the intake filter from the intake hose.
2. Turn the coupling of the intake filter.
3. Remove the sealing ring from the intake filter.
4. Bend the two retaining lugs apart.
5. Remove the strainer from the intake filter.
6. Clean all the individual parts under running water.
7. Clean the strainer and the inside of the intake filter with a small brush.
8. Assemble the intake filter.
9. Install the intake filter on the intake hose.


7.2 Cleaning water filter 

1. Remove the coupling for the water connection from the high-pressure cleaner.



If necessary, use an open-ended wrench to loosen the coupling for the water connection.

2. Remove the water filter from the coupling for the water connection.
3. Clean all the individual parts under running water.
4. Insert the water filter into the coupling for the water connection.
5. Install the coupling for the water connection on the high-pressure cleaner.

7.3 Cleaning spray nozzle 

Clean the spray nozzle with a pointed object, e.g. a straightened paperclip.



1. Remove the spray nozzle from the spray lance.
2. Insert the pointed object into the spray nozzle.
3. Move the pointed object back and forth until it moves easily.
4. Install the spray nozzle on the spray lance.

8 Transport and storage of cordless tools and batteries

Transport

CAUTION

Accidental starting during transport !

- ▶ Always transport your products with the batteries removed!
- ▶ Remove the battery/batteries.
- ▶ Never transport batteries loose and unprotected. During transport, batteries should be protected from excessive shock and vibration and isolated from any conductive materials or other batteries that may come in contact with the terminals and cause a short circuit. **Comply with the locally applicable regulations for transporting batteries.**
- ▶ Do not send batteries through the mail. Consult your shipper for instructions on how to ship undamaged batteries.
- ▶ Prior to each use and before and after prolonged transport, check the product and the batteries for damage.

Storage

WARNING

Accidental damage caused by defective or leaking batteries !

- ▶ Always store your products with the batteries removed!
- ▶ Store the product and the batteries in a cool and dry place. Comply with the temperature limits stated in the technical data.
- ▶ Do not store batteries on the charger. Always remove the battery from the charger when the charging operation has completed.
- ▶ Never leave batteries in direct sunlight, on sources of heat, or behind glass.
- ▶ Store the product and batteries where they cannot be accessed by children or unauthorized persons.
- ▶ Prior to each use and before and after prolonged storage, check the product and the batteries for damage.

9 Troubleshooting

If a problem occurs, always observe the status indicator of the battery. See the section headed **Status indicators of the Li-ion battery**.

If the trouble you are experiencing is not listed in this table or you are unable to rectify the problem by yourself, contact **Hilti Service**.

9.1 Troubleshooting table and tips for assistance

Trouble or fault	Possible cause	Action to be taken
LEDs of the battery show nothing	Battery faulty.	▶ Contact Hilti Service .
Motor does not start	Frozen up	▶ Allow pump, hose or accessory to thaw out.
Motor is running but no pressure built up	Spray nozzle clogged	▶ Clean the spray nozzle.
Pulsating pressure	Air in hose or pump	▶ Run the high-pressure cleaner with water faucet open until a steady working pressure is achieved.



Trouble or fault	Possible cause	Action to be taken
Pulsating pressure	Water supply not correct	▶ Check that the water connection corresponds to the information stated in the technical data and is supplying sufficient water. The smallest-diameter hoses that it is permissible to use are 1/2" or ø 13 mm.
	Water filter or intake filter clogged	▶ Clean water filter and/or intake filter.
	Intake hose kinked or pinched	▶ Straighten out the intake hose.
Pressure steadily too low (note: certain accessories can reduce the pressure)	Spray nozzle worn out	▶ Replace the spray nozzle.
Motor is running but pressure is limited or no working pressure	Water not connected	▶ Connect the water.
	Water filter or intake filter clogged	▶ Clean water filter and/or intake filter.
	Spray nozzle clogged	▶ Clean the spray nozzle.

10 Disposal

WARNING

Risk of injury due to incorrect disposal! Health hazards due to escaping gases or liquids.

- ▶ DO NOT send batteries through the mail!
- ▶ Cover the terminals with a non-conductive material (such as electrical tape) to prevent short circuiting.
- ▶ Dispose of your battery out of the reach of children.
- ▶ Dispose of the battery at your **Hilti Store**, or consult your local governmental garbage disposal or public health and safety resources for disposal instructions.

Most of the materials from which **Hilti** products are manufactured can be recycled. The materials must be correctly separated before they can be recycled. In many countries, your old tools, machines or appliances can be returned to **Hilti** for recycling. Ask **Hilti Service** or your Hilti sales representative for further information.



- ▶ Do not dispose of power tools, electronic equipment or batteries as household waste!

11 Manufacturer's warranty

- ▶ Please contact your local **Hilti** representative if you have questions about the warranty conditions.

12 Further information

For more information on operation, technology, environment and recycling, follow this link: qr.hilti.com/manual/?id=2404923

This link is also to be found at the end of the operating instructions, in the form of a QR code.

Mode d'emploi original

1 Indications relatives au mode d'emploi

1.1 À propos de ce mode d'emploi

- **Avvertissement !** Il convient de lire et comprendre toute la documentation jointe, y compris, sans s'y limiter, les instructions, avertissements de sécurité, illustration et spécifications fournies avec le présent produit. Prenez connaissance de toutes les instructions, avertissements de sécurité, illustrations, spécifications et fonctions du produit avant de l'utiliser. Tout manquement à cette obligation peut



entraîner un choc électrique, un incendie, et/ou des blessures graves. Conservez l'ensemble des avertissements et instructions pour consultation ultérieure.

- Les produits sont destinés aux professionnels et ne doivent être utilisés, entretenus et réparés que par un personnel autorisé et formé. Ce personnel doit être spécialement instruit quant aux dangers inhérents à l'utilisation de l'appareil. Le produit et ses accessoires peuvent s'avérer dangereux s'ils sont utilisés de manière incorrecte par un personnel non qualifié ou de manière non conforme à l'usage prévu.
- La documentation ci-jointe correspond à l'état actuel de la technique à la date d'impression. Veuillez toujours consulter la dernière version sur la page du produit sur le site Internet de Hilti. Pour ce faire, suivez le lien ou scannez le code QR dans la documentation, indiqué par le symbole .
- Ne pas prêter ou céder le produit à un autre utilisateur sans lui fournir le présent mode d'emploi.

1.2 Explication des symboles

1.2.1 Avertissements

Les avertissements attirent l'attention sur des dangers liés à l'utilisation du produit. Les termes de signalisation suivants sont utilisés :

DANGER

DANGER !

- ▶ Pour un danger imminent qui peut entraîner de graves blessures corporelles ou la mort.

AVERTISSEMENT

AVERTISSEMENT !

- ▶ Pour un danger potentiel qui peut entraîner de graves blessures corporelles ou la mort.

ATTENTION

ATTENTION !

- ▶ Pour une situation potentiellement dangereuse pouvant entraîner des blessures corporelles ou des dégâts matériels.

1.2.2 Symboles dans le manuel d'utilisation

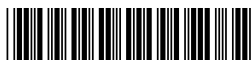
Les symboles suivants sont utilisés dans le présent manuel d'utilisation :

	Respecter le manuel d'utilisation
	Pour des conseils d'utilisation et autres informations utiles
	Maniement des matériaux recyclables
	Ne pas jeter les appareils électriques et les accus dans les ordures ménagères
	Hilti Accu Li-Ion
	Hilti Chargeur

1.2.3 Symboles dans les illustrations

Les symboles suivants sont utilisés dans les illustrations :

	Ces chiffres renvoient à l'illustration correspondante au début du présent manuel d'utilisation.
	La numérotation détermine la séquence des étapes de travail dans l'image et peut se différencier de celles des étapes de travail dans le texte.
	Les numéros de position sont utilisés dans l'illustration Vue d'ensemble et renvoient aux numéros des légendes dans la section Vue d'ensemble du produit .
	Ce signe doit inviter à manier le produit en faisant particulièrement attention.



1.3 Symboles

1.3.1 Symboles sur le produit

Les symboles suivants peuvent être utilisés sur le produit :

	Le produit prend en charge la technologie NFC qui est compatible avec les plates-formes iOS et Android.
Li-Ion	Accu Li-Ion
	Le produit ne doit pas être raccordé directement au réseau d'eau potable. Utilisez un séparateur de système conformément à EN 12729 Type BA. Toute eau qui a traversé ce séparateur de système ne doit pas être utilisée comme eau potable.
	Ne jamais taper sur la batterie avec un objet et ne jamais utiliser la batterie comme outil de percussion.
	Ne pas laisser tomber l'accu. Ne pas utiliser d'accu ayant subi un choc ou d'autres dommages.
	Série de type d'accu Li-Ion Hilti utilisée. Observer les instructions au chapitre Utilisation conforme à l'usage prévu .
	Si présent sur le produit, c'est que le produit a été certifié conformément aux normes en vigueur par cet organisme de certification pour le marché nord-américain et canadien.

1.4 Informations produit

Les produits sont destinés aux professionnels et ne doivent être utilisés, entretenus et réparés que par un personnel autorisé et formé. Ce personnel doit être spécialement instruit quant aux dangers inhérents à l'utilisation de l'appareil. Le produit et ses accessoires peuvent s'avérer dangereux s'ils sont utilisés de manière incorrecte par un personnel non qualifié ou de manière non conforme à l'usage prévu.

La désignation du modèle et le numéro de série figurent sur sa plaque signalétique.

- ▶ Inscrivez le numéro de série dans le tableau suivant. Les informations produit vous seront demandées lorsque vous contactez nos revendeurs ou services après-vente.

Caractéristiques produit

Nettoyeur haute pression sans fil	PC 2-22
Génération	01
N° de série	

2 Sécurité

2.1 Indications générales de sécurité

Outre les consignes techniques de sécurité indiquées dans les différents chapitres du présent mode d'emploi, il y a lieu de toujours respecter strictement les directives suivantes.

- ▶ **Toutes les remarques doivent être lues attentivement !** Le non-respect des remarques suivantes peut entraîner une électrocution, un incendie et/ou des blessures importantes.
- ▶ **Ne jamais entreprendre de manipulation ni de modification sur le produit ou les accessoires.**
- ▶ **Utiliser l'appareil approprié. Ne pas utiliser l'appareil à des fins non prévues, mais seulement conformément aux spécifications et dans un excellent état.**
- ▶ **Avant la mise en service du produit, s'informer sur son maniement, les dangers engendrés par les matériaux et l'élimination en toute sécurité des liquides aspirés.**
- ▶ **Prêter attention aux influences de l'environnement de l'espace de travail. Ne pas utiliser l'appareil dans des endroits présentant un danger d'incendie ou d'explosion.**
- ▶ **AVERTISSEMENT ! L'appareil doit uniquement être utilisé par des personnes qui connaissent bien l'appareil, ont été formées quant à son utilisation en toute sécurité et comprennent les dangers qui en résultent. L'appareil n'est pas destiné aux enfants. Surveiller les enfants pour s'assurer qu'ils ne jouent pas avec l'appareil.**
- ▶ **Le nettoyeur haute pression n'est pas conçu pour être utilisé par des personnes aux capacités physiques, sensorielles ou mentales réduites ou qui manquent d'expérience et de connaissances.**
- ▶ **Conserver les appareils non utilisés en toute sécurité. Tous les appareils non utilisés doivent être rangés dans un endroit sec, en hauteur ou fermé à clé, hors de portée des enfants.**



2.2 Sécurité des personnes

- ▶ **Restez vigilant, surveillez ce que vous faites. Faites preuve de bon sens en utilisant le produit. N'utilisez pas le nettoyeur haute pression si vous êtes fatigué ou après avoir consommé de l'alcool, des drogues ou avoir pris des médicaments.** Un moment d'inattention lors de l'utilisation de l'appareil peut entraîner de graves blessures.
- ▶ **Adopter une bonne posture. Veiller à toujours garder une position stable et équilibrée.** Ceci permet de mieux contrôler le nettoyeur haute pression dans des situations inattendues.
- ▶ Le jet d'eau du nettoyeur haute pression produit un effet de recul. Toujours tenir le produit des deux mains par la poignée et la surface de préhension.
- ▶ Avant de mettre le produit en service, orientez toujours la buse de pulvérisation dans une direction sûre.
- ▶ **AVERTISSEMENT ! Les nettoyeurs haute pression peuvent être dangereux s'ils ne sont pas utilisés correctement.** N'utilisez pas le nettoyeur haute pression lorsque des tiers se trouvent sans protection dans la zone de danger. Ne dirigez jamais le jet d'eau vers des personnes, des enfants ou d'autres êtres vivants.
- ▶ **AVERTISSEMENT ! Ne dirigez jamais le jet vers vous ou vers d'autres personnes, par exemple pour nettoyer des vêtements ou des chaussures.**
- ▶ **Gardez les doigts, les mains, les pieds et les autres parties du corps à distance du jet d'eau.** Le jet d'eau à haute pression peut entraîner des blessures et est suffisamment puissant, par exemple, pour provoquer la cécité si la distance est insuffisante au démarrage du jet.
- ▶ **Portez toujours un masque lorsque vous nettoyez des zones fortement contaminées par la poussière.** La poussière soulevée par le jet d'eau peut provoquer des blessures.
- ▶ **Portez toujours des lunettes de protection lorsque vous utilisez le produit.** Vous éviterez ainsi les blessures aux yeux et la cécité.
- ▶ **AVERTISSEMENT ! Des aérosols peuvent se former lors de l'utilisation de nettoyeurs haute pression.** L'inhalation d'aérosols peut être dangereuse pour la santé. C'est pourquoi il convient de porter un masque de protection respiratoire.
- ▶ **AVERTISSEMENT ! Risque d'explosion -** Ne pas vaporiser de liquides inflammables.
- ▶ Réalisez une évaluation des risques afin de déterminer les mesures de protection nécessaires contre les aérosols en fonction de la surface à nettoyer et de son environnement. Pour la protection contre les aérosols aqueux, des masques de protection respiratoire de classe FFP 2, équivalente ou supérieure, conviennent.
- ▶ **Vous et toutes les personnes se trouvant à proximité devez porter des vêtements de protection pendant l'utilisation et l'entretien de l'appareil.** Notamment : lunettes de protection, casque de protection, casque antibruit, gants de protection, chaussures de sécurité et un masque respiratoire léger.
- ▶ **Tenir compte des prescriptions de prévention des accidents spécifiques au pays concerné.**

2.3 Place de travail

- ▶ **Veiller à ce que l'espace de travail soit bien éclairé.**
- ▶ **Veiller à ce que le poste de travail soit bien ventilé.** Les postes de travail mal ventilés peuvent être à l'origine de problèmes de santé dus à l'inhalation d'aérosols et à l'exposition à la poussière.
- ▶ **Laisser le poste de travail en ordre. Débarrasser le poste de travail de tous objets susceptibles de blesser.** Un désordre sur le lieu de travail peut provoquer des accidents.
- ▶ **Ne pas utiliser l'appareil dans un environnement présentant des risques d'explosion et où se trouvent des liquides, des gaz ou poussières inflammables.** Les appareils électriques génèrent des étincelles risquant d'enflammer les poussières ou les vapeurs.

2.4 Sécurité relative au système électrique

- ▶ **Éviter le contact physique avec des surfaces mises à la terre tels que tuyaux, radiateurs, cuisinières et réfrigérateurs.** Il y a un risque élevé de choc électrique au cas où votre corps serait relié à la terre.
- ▶ **Ne jamais diriger le jet d'eau directement sur des appareils électriques ou électroniques.**

2.5 Consignes de sécurité supplémentaires

- ▶ Utiliser le produit et les accessoires uniquement s'ils sont en parfait état.
- ▶ **Risque de blessures dues à la chute d'outils et/ou d'accessoires.** Avant de commencer à travailler, contrôler si l'accu et l'accessoire monté sont solidement fixés.
- ▶ Mettez le nettoyeur haute pression hors tension même si vous le laissez sans surveillance pendant une courte période uniquement.



- ▶ **AVERTISSEMENT !** Le produit ne doit pas être raccordé directement au réseau d'eau potable. Utilisez un séparateur de système conformément à EN 12729 Typ BA. Toute eau qui a traversé ce séparateur de système ne doit pas être utilisée comme eau potable.
- ▶ **AVERTISSEMENT !** Les pièces de rechange et les accessoires sont importants pour garantir la sécurité du nettoyeur haute pression. N'utilisez donc que des pièces de rechange et accessoires d'origine recommandés ou fabriqués par le fabricant.
- ▶ **AVERTISSEMENT !** Les tuyaux haute pression, les raccords et les accouplements sont importants pour la sécurité du nettoyeur haute pression. N'utilisez que des tuyaux, raccords et accouplements recommandés par le fabricant.
- ▶ **AVERTISSEMENT !** Cet appareil est conçu pour être utilisé avec le détergent fourni ou recommandé par le fabricant. L'utilisation d'autres produits de nettoyage ou produits chimiques peut nuire à la sécurité de l'appareil.
- ▶ **AVERTISSEMENT !** Les nettoyeurs haute pression peuvent être dangereux s'ils ne sont pas utilisés correctement. Le jet ne doit pas être dirigé vers des personnes, des appareils électriques sous tension ou la machine elle-même.
- ▶ Utilisez toujours le nettoyeur haute pression avec le filtre d'aspiration d'origine.
- ▶ N'utilisez jamais le nettoyeur haute pression dans des zones où se trouvent des poussières, liquides ou vapeurs inflammables.
- ▶ Utilisez uniquement des liquides et des produits de nettoyage autorisés pour une utilisation avec des nettoyeurs haute pression.
- ▶ N'utilisez que des produits de nettoyage disposant de leur propre fiche de données de sécurité (FDS) et suivez les instructions de la FDS.
- ▶ Protégez les yeux, les poumons et la peau de tout contact avec les produits de nettoyage.
- ▶ Rangez le nettoyeur haute pression dans un local fermé afin de le protéger d'une exposition prolongée au soleil et au gel. Vidangez l'eau résiduelle avant de stocker le nettoyeur haute pression. Si de l'eau résiduelle dans le nettoyeur haute pression gèle et se dilate, le nettoyeur haute pression est endommagé et n'est plus opérationnel.

2.6 Utilisation et emploi soigneux des batteries

- ▶ **Respecter les consignes de sécurité suivantes relatives à la manipulation et à l'utilisation des accus Li-Ion.** Le non-respect de telles mesures risque de provoquer des irritations cutanées, des blessures graves corrosives, des brûlures chimiques, des incendies et/ou des explosions.
- ▶ Utiliser les accus uniquement dans un état techniquement impeccable.
- ▶ Traiter les accus avec soin pour éviter les endommagement et les fuites de liquides très nocifs pour la santé !
- ▶ Les accus ne doivent en aucun cas être modifiés ou manipulés !
- ▶ Il est interdit de démonter, écraser, chauffer les accus à une température supérieure à 80 °C (176 °F) ou de les jeter au feu.
- ▶ Ne pas utiliser ni recharger d'accus ayant subi un choc ou ayant été endommagés de quel-qu'autre manière. Vérifier régulièrement l'absence de traces d'endommagement sur les accus.
- ▶ Ne jamais utiliser d'accus recyclés ou réparés.
- ▶ Ne jamais utiliser l'accu ni aucun outil électrique sans fil comme outil de percussion.
- ▶ Ne jamais exposer les accus à un rayonnement direct du soleil, des températures élevées, des étincelles ou des flammes nues. Il y a alors risque d'explosions.
- ▶ Ne jamais toucher les pôles avec les doigts, des outils, des bijoux ou tout autre objet métallique. Cela peut endommager l'accu et entraîner des dommages matériels et des blessures.
- ▶ Maintenir les accus à l'abri de la pluie, de l'humidité et des liquides. Toute pénétration d'humidité risque de provoquer un court-circuit, des chocs électriques, des brûlures, des incendies ou des explosions.
- ▶ Utiliser exclusivement les chargeurs et outils électriques prévus pour le type d'accu considéré. Respecter à ce sujet les indications du mode d'emploi correspondant.
- ▶ Ne pas utiliser ni stocker l'accu dans des environnements présentant des risques d'explosion.



- ▶ Si l'accu est trop chaud pour être touché, il est probablement défectueux. Placer l'accu dans un endroit bien visible, non inflammable et suffisamment éloigné de matériaux inflammables. Laisser l'accu refroidir. Si, après une heure, l'accu est toujours trop chaud pour être saisi, c'est qu'il est défectueux. Contacter le service après-vente **Hilti** ou consulter le document « Instructions de sécurité et d'utilisation pour les accus Li-Ion **Hilti** ».

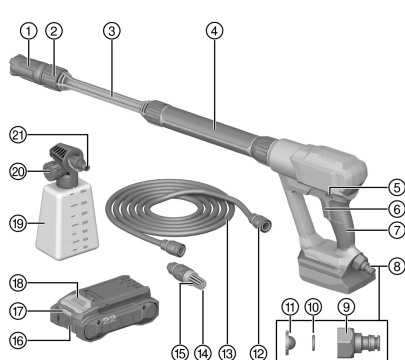


Respecter les directives spécifiques pour le transport, le stockage et l'utilisation d'accus Li-Ion.
→ Page 23

Lire les remarques relatives à la sécurité et à l'utilisation des accus Li-Ion **Hilti** que vous trouverez en scannant le code QR à la fin de ce mode d'emploi.

3 Description

3.1 Vue d'ensemble du produit



- ① Buse de pulvérisation
- ② Réglage de la buse de pulvérisation
- ③ Lance de pulvérisation
- ④ Surface de préhension
- ⑤ Verrouillage de l'interrupteur Marche / Arrêt
- ⑥ Interrupteur Marche / Arrêt
- ⑦ Poignée
- ⑧ Raccord d'eau
- ⑨ Accouplement du raccord d'eau
- ⑩ Joint d'étanchéité
- ⑪ Filtre à eau
- ⑫ Accouplement du flexible d'aspiration
- ⑬ Flexible d'aspiration
- ⑭ Taquet de maintien
- ⑮ Filtre d'aspiration
- ⑯ Accu
- ⑰ Indicateur d'état accu
- ⑱ Bouton de déverrouillage de l'accu
- ⑲ Réservoir de produit de nettoyage (accessoires)
- ⑳ Molette de réglage
- ㉑ Accouplement du réservoir de produit de nettoyage

3.2 Utilisation conforme à l'usage prévu

Le produit décrit est un nettoyeur haute pression sur accu. Il est conçu pour le nettoyage professionnel à l'eau en intérieur et en extérieur par exemple de véhicules, machines, surfaces extérieures, outils, façades, terrasses, etc.

Il est possible de monter en option un réservoir de produit de nettoyage sur la lance de pulvérisation.

- Pour ce produit, utiliser exclusivement des accus Li-Ion **Hilti** Nuron de la série B 22. Pour une puissance optimale, **Hilti** recommande pour ce produit les accus indiqués dans le tableau à la fin de ce mode d'emploi.
- Pour ces accus, utiliser exclusivement des chargeurs **Hilti** des séries indiquées dans le tableau à la fin de ce mode d'emploi.

3.3 Éléments livrés

Nettoyeur haute pression sans fil, lance de pulvérisation, buse de pulvérisation, flexible d'aspiration avec filtre d'aspiration, mode d'emploi



D'autres produits système pour votre produit peuvent être trouvés dans votre **Hilti Store** ou à l'adresse : www.hilti.group



3.4 Affichages de l'accu Li-Ion

Les accus Li-Ion Hilti Nuron peuvent afficher l'état de charge, les messages d'erreur et l'état de l'accu.

3.4.1 Affichages de l'état de charge et des messages d'erreur

AVERTISSEMENT

Risque de blessures en cas de chute de l'accu !

- ▶ Lorsque l'accu est inséré et après avoir appuyé sur la touche de déverrouillage, s'assurer que l'accu est correctement réenclenché dans le produit utilisé.

Pour consulter un des affichages suivants, appuyer brièvement sur la touche de déverrouillage de l'accu. L'état de charge et les dysfonctionnements possibles sont affichés en permanence tant que le produit raccordé est allumé.

État	Signification
Quatre (4) DEL sont allumées en vert en continu	État de charge : de 100 % à 71 %
Trois (3) DEL sont allumées en vert en continu	État de charge : de 70 % à 51 %
Deux (2) DEL sont allumées en vert en continu	État de charge : de 50 % à 26 %
Une (1) DEL est allumée en vert en continu	État de charge : de 25 % à 10 %
Une (1) DEL clignote lentement en vert	État de charge : < 10 %
Une (1) DEL clignote rapidement en vert	L'accu Li-Ion est entièrement déchargé. Charger l'accu. Si la DEL continue de clignoter rapidement après la charge de l'accu, s'adresser au S.A.V. Hilti .
Une (1) DEL clignote rapidement en jaune	L'accu Li-Ion ou le produit correspondant est surchargé, trop chaud, trop froid ou il y a un autre défaut. Amener le produit et l'accu à la température de travail recommandée et ne pas surcharger le produit pendant son utilisation. Si le message ne disparaît pas, s'adresser au S.A.V. Hilti .
Une (1) DEL est allumée en jaune	L'accu Li-Ion ainsi que le produit connecté ne sont pas compatibles. Merci de s'adresser au S.A.V Hilti .
Une (1) DEL clignote rapidement en rouge	L'accu Li-Ion est verrouillé et ne peut plus être utilisé. Merci de s'adresser au S.A.V Hilti .

3.4.2 Affichages de l'état de l'accu

Pour consulter l'état de l'accu, maintenir la touche de déverrouillage enfoncée pendant plus de trois secondes. Le système ne détecte aucun dysfonctionnement potentiel de la batterie dû à une utilisation incorrecte, par ex. chute, piqûres, dommages externes dus à la chaleur, etc.

État	Signification
Toutes les DEL forment un chenillard, puis une (1) DEL est allumée en vert en continu.	L'accu peut continuer à être utilisé.
Toutes les DEL forment un chenillard, puis une (1) DEL clignote rapidement en jaune.	L'interrogation de l'état de l'accu n'a pas pu être terminée. Répéter la procédure ou s'adresser au S.A.V. Hilti .
Toutes les DEL forment un chenillard, puis une (1) DEL est allumée en rouge en continu.	Si un produit raccordé peut continuer à être utilisé, la capacité résiduelle de l'accu est inférieure à 50 %. Si un produit raccordé ne peut plus être utilisé, l'accu est arrivé à la fin de sa durée de vie et doit être remplacé. Merci de s'adresser au S.A.V Hilti .



3.5 Possibilités de réglage (buse de pulvérisation)

Symbole	Fonction	Description de l'application
	Jet plat	Nettoyage en cas de salissures moyennes
	Douche	Nettoyage des surfaces en cas de salissures moyennes
	Turbo-fraise	Nettoyage des surfaces en cas de salissures importantes
	Jet ponctuel	Nettoyage ponctuel en cas de salissures importantes

4 Caractéristiques techniques

4.1 Propriétés du produit

	PC 2-22
Indice de protection	IP X5 (Protection contre les jets d'eau de toutes les directions)
Poids	2,1 kg (4,63 lb)
Pression nominale	40 bar \pm 3 bar (580 psi \pm 44 psi)
Pression admissible	6 MPa (870 psi)
Raccord d'eau	Tuyau d'eau / accouplement 1/2"
Température d'alimentation maximale	40 °C (104,0 °F)
Pression d'alimentation maximale	0,6 MPa (87 psi)
Débit nominal (eau)	2,2 ℓ /min (0,58 liq. gal _{US} /min)
Débit maximal (eau)	4,5 ℓ /min (1,19 liq. gal _{US} /min)
Hauteur d'aspiration maximale (uniquement lorsque le flexible est entièrement rempli)	4 m (13 ft - 1 in)
Température ambiante en cours de service	0 °C ... 60 °C (32,0 °F ... 140,0 °F)
Température de stockage	-20 °C ... 70 °C (-4,0 °F ... 158,0 °F)

4.2 Batterie

Tension nominale de l'accu	21,6 V
Poids de l'accu	Voir à la fin de ce mode d'emploi
Température de service en cours de service	-17 °C ... 60 °C (1,4 °F ... 140,0 °F)
Température de stockage	-20 °C ... 40 °C (-4,0 °F ... 104,0 °F)
Température de l'accu au début de la charge	-10 °C ... 45 °C (14,0 °F ... 113,0 °F)



5 Préparatifs

AVERTISSEMENT

Risque de blessures du fait d'une mise en marche inopinée !

- ▶ Avant d'insérer l'accu, s'assurer que le produit correspondant est bien sur arrêt.
- ▶ Retirer le bloc-accu, avant d'effectuer des réglages sur l'appareil ou de changer les accessoires.

Bien respecter les consignes de sécurité et les avertissements de la présente documentation ainsi que celles figurant sur le produit.

5.1 Recharge de l'accu

1. Avant de commencer la charge, lire le mode d'emploi du chargeur.
2. Veiller à ce que les contacts de l'accu et du chargeur sont propres et secs.
3. Charger l'accu à l'aide d'un chargeur homologué. → Page 17

5.2 Introduction de l'accu

AVERTISSEMENT

Risque de blessures du fait d'un court-circuit ou de la chute de l'accu !

- ▶ Avant d'insérer l'accu dans l'appareil, s'assurer que les contacts de l'accu et les contacts sur le produit sont exempts de corps étrangers.
- ▶ S'assurer que l'accu s'encliquette toujours correctement.

1. L'accu doit être entièrement chargé avant la première mise en service.
2. Introduire l'accu dans le produit jusqu'à ce qu'il s'enclenche de manière audible.
3. Vérifier que l'accu est bien en place.

5.3 Retrait de l'accu

1. Appuyer sur la touche de déverrouillage de l'accu.
2. Retirer l'accu hors du produit.

5.4 Montage du produit

Tous les modules (buse de pulvérisation, lance de pulvérisation, réservoir de produit de nettoyage) disposent d'un mécanisme de verrouillage universel. La procédure décrite est valable pour tous les modules dotés du même type de raccord.

1. Introduire le module dans le support de montage.
2. Tourner le module dans le sens des aiguilles d'une montre dans le verrouillage.
3. Fixer le module avec l'écrou-raccord.

5.4.1 Établir l'alimentation en eau par la conduite d'eau

ATTENTION

Dommages matériels dus à un séparateur de système mal monté. Un séparateur de système monté sur l'appareil peut endommager le nettoyeur haute pression.

- ▶ Montez toujours le séparateur de système sur le robinet d'eau.

1. Montez un séparateur de système sur le raccord d'eau.
2. Montez un accouplement du flexible d'aspiration sur le séparateur de système.
3. Montez l'autre accouplement du flexible d'aspiration sur le nettoyeur haute pression.
4. Ouvrez l'arrivée d'eau de l'alimentation en eau.

5.4.2 Établir une alimentation en eau par des réservoirs ouverts

Vous pouvez utiliser n'importe quel type de réservoir ouvert pour l'alimentation en eau. Assurez-vous qu'il n'y a pas d'autres liquides ni d'eau sale dans le réservoir ouvert. Utilisez toujours un filtre d'aspiration en cas d'alimentation en eau par le biais de réservoirs ouverts. Vous évitez ainsi l'aspiration de corps étrangers et l'endommagement du produit.

1. Montez l'accouplement du flexible d'aspiration fourni sur l'accouplement (raccord d'eau) du produit.
2. Montez un filtre d'aspiration sur l'accouplement libre du flexible d'aspiration.



- Placez le flexible d'aspiration avec le filtre d'aspiration monté dans un réservoir d'eau ouvert.

5.5 Activer/désactiver le verrouillage

- Faites glisser le verrouillage de l'interrupteur Marche / arrêt vers la droite.
 - L'interrupteur Marche/Arrêt est bloqué et ne peut pas être actionné par inadvertance.
- Faites glisser le verrouillage de l'interrupteur Marche / arrêt vers la gauche.
 - L'interrupteur Marche/Arrêt peut être actionné.

5.6 Montage du réservoir de produit de nettoyage (accessoires)

- Démontez la buse de pulvérisation de la lance de pulvérisation.
- Montez le réservoir de produit de nettoyage sur la lance de pulvérisation.
- Régalez la quantité de produit de nettoyage à distribuer à l'aide de la molette de dosage.
 - Tournez la molette de dosage vers la gauche, pour plus de produit de nettoyage.
 - Tournez la molette de dosage vers la droite, pour moins de produit de nettoyage.

5.7 Sécurité anti-chute

AVERTISSEMENT

Risque de blessures en cas de chute de l'outil et/ou des accessoires !

- Utiliser uniquement la longue porte-outil **Hilti** recommandée pour votre produit.
- Contrôler l'état du point de fixation de la longue porte-outil avant chaque utilisation.



Respecter les directives nationales en vigueur pour les travaux en hauteur.

Comme protection anti-chute pour ce produit, utiliser exclusivement la longue porte-outil **Hilti** #2261971.

- Fixer la longue porte-outil au produit avec la boucle, comme illustré. Vérifier qu'elle tient bien.
- Fixer le mousqueton à une structure porteuse. Vérifier que le mousqueton tient bien.



Respecter le mode d'emploi de la longue porte-outil **Hilti**.

6 Utilisation

6.1 Remarques pour une utilisation en toute sécurité

Avant chaque utilisation, vérifier que le produit établit la pression dans un délai de 2 minutes maximum. Éviter la marche à sec et le fonctionnement à sec du produit. Un fonctionnement à sec pendant une certaine durée peut endommager le produit.

Toujours choisir le mode de fonctionnement le plus adapté au degré de saleté et à la sensibilité du matériau support. Une pression d'eau trop élevée peut endommager les surfaces. Éviter tout réglage de pression trop élevé () et des distances inférieures à 30 cm par ex. pour les surfaces peintes, les surfaces en bois sensibles ou les pneus.

L'auto-amorçage ne fonctionne que jusqu'à une hauteur de 1,2 mètre. Veiller à ce que le flexible d'aspiration soit rempli d'eau avant de travailler à une hauteur supérieure à 1,2 mètre.



6.2 Mettre en marche ou arrêter le produit

Mise en marche du produit

1. Appuyer sur l'interrupteur Marche/Arrêt et le maintenir actionné.
 - ▶ La pompe démarre et un jet d'eau est émis.



- Tenez compte de la hauteur d'aspiration maximale lorsque vous posez l'arrivée d'eau. L'auto-amorçage de la pompe fonctionne jusqu'à une différence de hauteur maximale de 1,2 m.
- Si le produit n'établit pas de pression au bout de 2 minutes, cessez de l'utiliser et effectuez une recherche des causes et des solutions. → Page 24.

2. Procédez aux travaux de nettoyage.

Arrêt du produit

3. Relâcher l'interrupteur Marche/Arrêt.
 - ▶ La pompe et l'arrivée d'eau sont arrêtées.



Si vous stockez le produit à des températures proches ou inférieures au point de congélation, éliminez tous les résidus d'eau du produit et de toutes les conduites d'alimentation.

7 Nettoyage et entretien

AVERTISSEMENT

Risque de blessures lorsque l'accu est inséré !

- ▶ Toujours retirer l'accu avant tous travaux de nettoyage et d'entretien !

Entretien du produit

- Éliminer avec précaution les saletés récalcitrantes.
- Le cas échéant, nettoyer soigneusement les ouïes d'aération à l'aide d'une brosse sèche et douce.
- Nettoyer le carter de l'appareil uniquement avec un chiffon légèrement humide. Ne pas utiliser de nettoyeurs à base de silicone car ceci pourrait attaquer les pièces en plastique.
- Utiliser un chiffon propre et sec pour nettoyer les contacts du produit.

Entretien des accus Li-ion

- Ne jamais utiliser un accu dont les ouïes d'aération sont bouchées. Nettoyer soigneusement les ouïes d'aération à l'aide d'une brosse sèche et douce.
- Éviter d'exposer inutilement l'accu à la poussière ou à la saleté. Ne jamais exposer l'accu à une forte humidité (par exemple en l'immergeant dans de l'eau ou en le laissant sous la pluie).
Si l'accu a été trempé, le traiter comme un accu endommagé. L'isoler dans un récipient ininflammable et s'adresser au S.A.V. **Hilti**.
- Veiller à ce que l'accu soit toujours exempt de traces de graisse et d'huile étrangères. Ne pas laisser de la poussière ou de la saleté s'accumuler inutilement sur l'accu. Nettoyer l'accu avec une brosse sèche et douce ou un chiffon propre et sec. Ne pas utiliser de nettoyeurs à base de silicone car ceci pourrait attaquer les pièces en plastique.
Ne pas toucher les contacts de l'accu et ne pas enlever la graisse appliquée en usine sur les contacts.
- Nettoyer le carter de l'appareil uniquement avec un chiffon légèrement humide. Ne pas utiliser de nettoyeurs à base de silicone car ceci pourrait attaquer les pièces en plastique.

Entretien

- Vérifier régulièrement qu'aucune pièce visible n'est endommagée et que les organes de commande sont parfaitement opérationnels.
- Ne pas utiliser le produit en cas d'endommagements et/ou de dysfonctionnements. Faire immédiatement réparer le produit par le S.A.V. **Hilti**.
- Après des travaux de nettoyage et d'entretien, vérifier si tous les équipements de protection sont bien en place et fonctionnent parfaitement.



Pour une utilisation en toute sécurité, utiliser uniquement des pièces de rechange et consommables d'origine. Vous trouverez les pièces de rechange, consommables et accessoires autorisés par **Hilti** convenant pour votre produit dans le centre **Hilti Store** ou sous : www.hilti.group



7.1 Nettoyer le filtre d'aspiration 7

1. Démontez le filtre d'aspiration du flexible d'aspiration.
2. Tournez l'accouplement du filtre d'aspiration.
3. Retirez le joint d'étanchéité du filtre d'aspiration.
4. Pliez les deux taquets de maintien pour les séparer.
5. Retirez le tamis du filtre d'aspiration.
6. Nettoyez toutes les pièces à l'eau courante.
7. Nettoyez le tamis et l'intérieur du filtre d'aspiration avec une petite brosse.
8. Assemblez le filtre d'aspiration.
9. Montez le filtre d'aspiration sur le flexible d'aspiration.

7.2 Nettoyer le filtre à eau 8

1. Démontez l'accouplement du raccord d'eau du nettoyeur haute pression.



Desserrer l'accouplement du raccord d'eau avec une clé à fourche par exemple.

2. Retirez le filtre à eau de l'accouplement du raccord d'eau.
3. Nettoyez toutes les pièces à l'eau courante.
4. Placez le filtre à eau dans l'accouplement du raccord d'eau.
5. Montez l'accouplement du raccord d'eau sur le nettoyeur haute pression.

7.3 Nettoyer la buse de pulvérisation 9



Nettoyez la buse de pulvérisation avec un objet pointu, par ex. un trombone ouvert.

1. Démontez la buse de pulvérisation de la lance de pulvérisation.
2. Introduisez l'objet pointu dans la buse de pulvérisation.
3. Effectuez un mouvement de va-et-vient avec l'objet pointu jusqu'à ce qu'il bouge facilement.
4. Montez la buse de pulvérisation sur la lance de pulvérisation.

8 Transport et stockage des outils sur accus et des accus

Transport



ATTENTION

Mise en marche inopinée lors du transport !

- ▶ Toujours retirer les accus avant de transporter les produits !
- ▶ Retirer le ou les accus.
- ▶ Ne jamais transporter les accus en vrac. Pendant le transport, les accus doivent être protégés des vibrations et chocs excessifs, isolés de tout matériau conducteur ou autre accus, pour éviter qu'ils n'entrent en contact avec d'autres pôles de batterie et qu'ils provoquent un court-circuit. **Tenir compte des prescriptions locales pour le transport d'accus.**
- ▶ Ne pas envoyer les accus par la poste. S'adresser à un service d'expédition s'il faut envoyer des accus non endommagés.
- ▶ Contrôler l'état du produit et des accus avant chaque utilisation, ainsi qu'avant et après tout transport prolongé.

Stockage



AVERTISSEMENT

Endommagement involontaire du fait d'accus défectueux ou de chute d'accu !

- ▶ Toujours retirer les accus avant de stocker les produits !
- ▶ Stocker si possible le produit et les accus dans un endroit sec et frais. Respecter les valeurs limites de température indiquées dans les caractéristiques techniques.
- ▶ Ne pas stocker les accus sur le chargeur. Retirer toujours l'accu du chargeur après la charge.
- ▶ Ne jamais stocker les accus exposés au soleil, sur des sources de chaleur ou derrière des vitres.
- ▶ Stocker le produit et les accus à l'abri des enfants et des personnes non autorisées.



- ▶ Contrôler l'état du produit et des accus avant chaque utilisation, ainsi qu'avant et après tout stockage prolongé.

9 Aide au dépannage

En cas de dysfonctionnements, tenir compte de l'indicateur d'état de l'accu. Voir le chapitre **Affichages de l'accu Li-Ion**.

En cas de défaillances non énumérées dans ce tableau ou auxquelles il n'est pas possible de remédier sans aide, contacter le S.A.V. **Hilti**.

9.1 Guide de dépannage et aides

Défaillance	Causes possibles	Solution
Les DEL de l'accu n'indiquent rien	L'accu est défectueux.	▶ S'adresser au S.A.V. Hilti .
Le moteur ne démarre pas	Gel	▶ Laisser la pompe, le tuyau ou les accessoires dégeler.
Le moteur tourne mais il n'y a pas de pression	Buse de pulvérisation obstruée	▶ Nettoyez la buse de pulvérisation.
Pression pulsée	Présence d'air dans le tuyau ou la pompe	▶ Faire fonctionner le nettoyeur haute pression avec le robinet d'eau ouvert jusqu'à ce que la pression de travail soit uniforme.
	Alimentation en eau incorrecte	▶ Vérifier si le raccord d'eau correspond aux indications figurant dans les caractéristiques techniques et s'il fournit suffisamment d'eau. Les plus petits tuyaux d'eau pouvant être utilisés sont 1/2" ou ø 13 mm.
	Filtre à eau ou filtre d'aspiration colmaté	▶ Nettoyez le filtre à eau et/ou le filtre d'aspiration.
	Flexible d'aspiration plié ou écrasé	▶ Redresser le tuyau d'aspiration.
Pression uniformément trop basse (remarque : certains accessoires peuvent réduire la pression)	Buse de pulvérisation usée	▶ Remplacez la buse de pulvérisation.
Le moteur tourne mais la pression est limitée ou la pression de travail n'est pas établie	Eau non raccordée	▶ Raccordez l'eau.
	Filtre à eau ou filtre d'aspiration colmaté	▶ Nettoyez le filtre à eau et/ou le filtre d'aspiration.
	Buse de pulvérisation obstruée	▶ Nettoyez la buse de pulvérisation.

10 Recyclage

AVERTISSEMENT

Risque de blessures en cas d'élimination incorrecte ! Émanations possibles de gaz et de liquides nocives pour la santé.

- ▶ Ne pas envoyer ni expédier d'accus endommagés !
- ▶ Recouvrir les raccords avec un matériau non conducteur pour éviter tout court-circuit.
- ▶ Éliminer les accus en veillant à ce qu'ils soient hors de la portée des enfants.
- ▶ Éliminer l'accu en le déposant auprès du **Hilti Store** local ou s'adresser à l'entreprise de collecte des déchets compétente.

Les produits **Hilti** sont fabriqués pour une grande partie en matériaux recyclables. Le recyclage pré suppose un tri adéquat des matériaux. **Hilti** reprend les appareils usagés dans de nombreux pays en vue de leur recyclage. Consulter le service clients **Hilti** ou un conseiller commercial.





- ▶ Ne pas jeter les appareils électriques, électroniques et accus dans les ordures ménagères !

11 Garantie constructeur

- ▶ En cas de questions sur les conditions de garantie, veuillez vous adresser à votre partenaire **Hilti** local.

12 Informations complémentaires

Des informations complémentaires concernant l'utilisation, la technique, l'environnement et le recyclage sont disponibles sous le lien ci-dessous : qr.hilti.com/manual/?id=2404923

Ce lien figure également à la fin du mode d'emploi sous forme de code QR.

Manual de instrucciones original

1 Información sobre el manual de instrucciones

1.1 Acerca de este manual de instrucciones

- **¡Atención!** Asegúrese de haber leído y entendido toda la documentación adjunta, incluidas, entre otras, las instrucciones, advertencias de seguridad, ilustraciones y especificaciones que se proporcionan con este producto. Familiarícese con todas las instrucciones, advertencias de seguridad, ilustraciones, especificaciones, componentes y funciones del producto antes de utilizarlo. De lo contrario, existe peligro de descarga eléctrica, incendio y/o lesiones graves. Conserve todas las advertencias e instrucciones para futuras consultas.
- Los productos **HILTI** han sido diseñados para usuarios profesionales y solo personal autorizado y debidamente formado puede utilizarlos y llevar a cabo su mantenimiento y conservación. Este personal debe estar especialmente instruido en lo referente a los riesgos de uso. La utilización del producto y sus dispositivos auxiliares puede conllevar riesgos para el usuario en caso de manejarse de forma inadecuada por personal no cualificado o utilizarse para usos diferentes a los que están destinados.
- La documentación adjunta corresponde al estado actual de la técnica en el momento de la impresión. Compruebe siempre la última versión en la página del producto de la página web de Hilti. Para ello siga el enlace o escanee el código QR que figura en esta documentación y que se indica con el símbolo
- No entregue nunca el producto a otras personas sin este manual de instrucciones.

1.2 Explicación de símbolos

1.2.1 Avisos

Las advertencias de seguridad advierten de peligros derivados del manejo del producto. Se utilizan las siguientes palabras de peligro:

PELIGRO

PELIGRO !

- ▶ Término utilizado para un peligro inminente que puede ocasionar lesiones graves o incluso la muerte.

ADVERTENCIA

ADVERTENCIA !

- ▶ Término utilizado para un posible peligro que puede ocasionar lesiones graves o incluso la muerte.

PRECAUCIÓN

PRECAUCIÓN !

- ▶ Término utilizado para una posible situación peligrosa que puede ocasionar lesiones o daños materiales.

1.2.2 Símbolos en el manual de instrucciones

En este manual de instrucciones se utilizan los siguientes símbolos:



	Consulte el manual de instrucciones
	Indicaciones de uso y demás información de interés
	Manejo con materiales reutilizables
	No tire las herramientas eléctricas y las baterías junto con los desperdicios domésticos
	Hilti Batería de Ion-Litio
	Hilti Cargador

1.2.3 Símbolos en las figuras

En las figuras se utilizan los siguientes símbolos:

	Estos números hacen referencia a la figura correspondiente incluida al principio de este manual de instrucciones.
3	La numeración describe el orden de los pasos de trabajo en la imagen y puede ser diferente de los pasos descritos en el texto.
	En la figura Vista general se utilizan números de posición y los números de la leyenda están explicados en el apartado Vista general del producto .
	Preste especial atención a este símbolo cuando utilice el producto.

1.3 Símbolos

1.3.1 Símbolos en el producto

En el producto se pueden utilizar los siguientes símbolos:

	El producto es apto para tecnología NFC, que es compatible con las plataformas iOS y Android.
Li-Ion	Batería de Ion-Litio
	El producto no debe conectarse directamente a la red de agua potable. Utilice un separador de sistemas según EN 12729 modelo BA. El agua que haya pasado por este separador de sistemas no debe utilizarse como agua potable.
	Nunca golpee la batería con un objeto ni utilice la batería como herramienta de percusión.
	No deje que la batería se caiga. No utilice baterías que hayan recibido algún golpe ni que estén dañadas de alguna otra forma.
	Serie utilizada de baterías de Ion-Litio Hilti . Consulte las indicaciones recogidas en el capítulo Uso conforme a las prescripciones .
	Si está en el producto, significa que el organismo de certificación lo ha certificado para el mercado estadounidense y canadiense según las normas vigentes.

1.4 Información del producto

Los productos han sido diseñados para usuarios profesionales y solo personal autorizado y debidamente formado puede utilizarlos y llevar a cabo su mantenimiento y conservación. Este personal debe estar especialmente instruido en lo referente a los riesgos de uso. La utilización del producto y sus dispositivos auxiliares puede conllevar riesgos para el usuario en caso de manejarse de forma inadecuada por personal no cualificado o utilizarse para usos diferentes a los que están destinados.

La denominación del modelo y el número de serie están indicados en la placa de identificación.



- ▶ Escriba el número de serie en la siguiente tabla. Necesitará los datos del producto para realizar consultas a nuestros representantes o al Departamento de Servicio Técnico.

Datos del producto

Aparato de limpieza a alta presión con batería	PC 2-22
Generación	01
N.º de serie.	

2 Seguridad

2.1 Indicaciones generales de seguridad

Además de las indicaciones de seguridad que aparecen en los distintos apartados de este manual de instrucciones, también es imprescindible cumplir las siguientes disposiciones.

- ▶ **Lea todas las indicaciones.** La no observación de las siguientes indicaciones puede producir descarga eléctrica, fuego o lesiones graves.
- ▶ **No efectúe nunca manipulaciones o modificaciones en el producto ni en los accesorios.**
- ▶ **Utilice la herramienta adecuada.** No utilice la herramienta para fines no previstos, sino únicamente de forma reglamentaria y en perfecto estado.
- ▶ **Antes de trabajar con la herramienta, infórmese sobre su manejo, los posibles peligros relacionados con los materiales y el reciclaje seguro del líquido acumulado.**
- ▶ **Observe las condiciones ambientales.** No utilice la herramienta en lugares donde exista peligro de incendio o explosión.
- ▶ **¡ADVERTENCIA! La herramienta solo debe ser utilizada por personas que estén familiarizadas con ella, que hayan sido informados acerca del uso seguro de la herramienta y entiendan los riesgos que comporta.** La herramienta no es apta para el uso por parte de niños. Debe supervisarse a los niños para evitar que jueguen con la herramienta.
- ▶ **La limpiadora de alta presión no es apropiada para su uso por personas con capacidades físicas, sensoriales o mentales reducidas o con falta de experiencia y conocimientos.**
- ▶ **Las herramientas que no se utilicen deben almacenarse de manera segura.** Las herramientas que no se utilicen deben conservarse fuera del alcance de los niños, en un lugar seco, alto y cerrado.

2.2 Seguridad de las personas

- ▶ **Permanezca atento, preste atención durante el trabajo y utilice el producto con prudencia.** No utilice el aparato de limpieza a alta presión si está cansado o se encuentra bajo los efectos de drogas, alcohol o medicamentos. Un momento de descuido mientras se está utilizando la herramienta puede provocar lesiones graves.
- ▶ **Evite adoptar posturas forzadas.** Procure que la postura sea estable y manténgase siempre en equilibrio. De esta forma podrá controlar mejor el aparato de limpieza a alta presión en caso de presentarse una situación inesperada.
- ▶ El chorro de agua del aparato de limpieza a alta presión produce un retroceso. Sujete siempre el producto con ambas manos por la empuñadura y la superficie de agarre.
- ▶ Antes de utilizar el producto, oriente siempre la boquilla pulverizadora en una dirección segura.
- ▶ **¡ADVERTENCIA! El uso de una limpiadora de alta presión de forma inapropiada puede entrañar graves riesgos.** No limpie cuando haya otras personas desprotegidas en la zona de peligro. Nunca dirija el chorro de agua hacia personas, niños u otros seres vivos.
- ▶ **¡ADVERTENCIA! Nunca dirija el chorro hacia usted o hacia otras personas, por ejemplo, para limpiar la ropa o los zapatos.**
- ▶ **Mantenga los dedos, las manos, los pies y otras partes del cuerpo alejados del chorro de agua.** El chorro de agua a alta presión puede causar lesiones y es lo suficientemente fuerte como para, por ejemplo, causar pérdida de visión si se está demasiado cerca al iniciar el chorro de pulverización.
- ▶ **Utilice siempre una mascarilla para limpiar zonas muy contaminadas por polvo.** El polvo levantado por el chorro de agua puede causar lesiones.
- ▶ **Lleve siempre protección para los ojos cuando utilice el producto.** Esto evitará lesiones oculares y ceguera.
- ▶ **¡ADVERTENCIA! Al utilizar limpiadoras de alta presión pueden formarse aerosoles.** La inhalación de aerosoles puede ser peligrosa para la salud. Por tanto, es imprescindible utilizar mascarilla.
- ▶ **¡ADVERTENCIA! Peligro de explosión:** No pulverice líquidos inflamables.



- ▶ Realice una evaluación de riesgos para determinar las medidas de protección necesarias contra los aerosoles en función de la superficie que vaya a limpiar y su entorno. Para la protección contra aerosoles que contengan agua, son adecuadas las mascarillas de clase FFP 2, clase equivalente o superior.
- ▶ **Cuando utilice la herramienta y realice el mantenimiento de la misma, tanto usted como todas las personas que se encuentren cerca deben llevar prendas protectoras.** Esto incluye: gafas protectoras, casco de protección, protección para los oídos, guantes de protección, calzado de protección y una mascarilla más ligera.
- ▶ **Observe las disposiciones locales sobre prevención de accidentes.**

2.3 Lugar de trabajo

- ▶ **Procure que haya una buena iluminación en la zona de trabajo.**
- ▶ **Procure una buena ventilación del lugar de trabajo.** Los lugares de trabajo mal ventilados resultar nocivos para la salud por inhalación de aerosoles y exposición al polvo.
- ▶ **Mantenga la zona de trabajo ordenada. Mantenga el entorno de trabajo despejado de objetos que puedan ocasionarle lesiones.** El desorden en la zona de trabajo podría provocar accidentes.
- ▶ **No utilice la herramienta eléctrica en un entorno con peligro de explosión, en el que se encuentren combustibles líquidos, gases o material en polvo.** Las herramientas eléctricas producen chispas que pueden llegar a inflamar los materiales en polvo o vapores.

2.4 Seguridad eléctrica

- ▶ **Evite el contacto corporal con superficies que tengan puesta a tierra, como pueden ser tubos, calefacciones, cocinas y frigoríficos.** El riesgo a quedar expuesto a una descarga eléctrica es mayor si su cuerpo tiene contacto con tierra.
- ▶ **No dirija nunca el chorro de agua directamente hacia equipos eléctricos o electrónicos.**

2.5 Indicaciones de seguridad adicionales

- ▶ Utilice el producto y los accesorios solo si están en perfecto estado técnico.
- ▶ - **Riesgo de lesiones en caso de caída de herramientas o accesorios.** Antes de iniciar el trabajo, compruebe que la batería y los accesorios montados estén bien fijados.
- ▶ Apague el aparato de limpieza a alta presión aunque lo deje desatendido durante poco tiempo.
- ▶ **¡ADVERTENCIA!** El producto no debe conectarse directamente a la red de agua potable. Utilice un separador de sistemas según EN 12729 Typ BA. El agua que haya pasado por este separador de sistemas no debe utilizarse como agua potable.
- ▶ **¡ADVERTENCIA!** Las piezas de repuesto y los accesorios son importantes para garantizar la seguridad del aparato de limpieza a alta presión. Por lo tanto, utilice únicamente piezas de repuesto y accesorios originales recomendados o fabricados por el fabricante.
- ▶ **¡ADVERTENCIA!** Las mangueras de alta presión, la tornillería y los acoplamientos son importantes para la seguridad del aparato de limpieza a alta presión. Utilice únicamente mangueras, tornillería y acoplamientos recomendados por el fabricante.
- ▶ **¡ADVERTENCIA!** Esta herramienta está diseñada para ser utilizada con el detergente suministrado o recomendado por el fabricante. El uso de otros productos de limpieza o productos químicos puede afectar a la seguridad de la herramienta.
- ▶ **¡ADVERTENCIA!** El uso de una boquilla de alta presión de forma inapropiada puede entrañar graves riesgos. El chorro no debe dirigirse hacia personas, herramientas eléctricas bajo tensión o la propia máquina.
- ▶ Utilice siempre el aparato de limpieza a alta presión con el filtro de admisión original.
- ▶ No utilice nunca el aparato de limpieza a alta presión en zonas donde haya clases de polvo, líquidos o vapores inflamables.
- ▶ Utilice únicamente líquidos y detergentes autorizados para aparatos de limpieza a alta presión.
- ▶ Utilice únicamente detergentes que dispongan de su propia hoja técnica de seguridad (MSDS) y siga las instrucciones de la misma.
- ▶ Proteja los ojos, los pulmones y la piel del contacto con el producto de limpieza.
- ▶ Almacene el aparato de limpieza a alta presión en un lugar cerrado para protegerlo de la exposición prolongada a la luz del sol y las heladas. Vacíe el agua restante antes de guardar el aparato de limpieza a alta presión. Si el agua restante en el aparato de limpieza a alta presión se congela y se expande, este se dañará y dejará de funcionar.



2.6 Manipulación y utilización segura de las baterías

- ▶ **Tenga en cuenta las siguientes indicaciones de seguridad para el manejo y el uso seguros de las baterías de Ion-Litio.** En caso de no respetarlas, puede llevar a irritación de la piel, lesiones corrosivas graves, quemaduras químicas, fuego o explosiones.
- ▶ Utilice las baterías solo si están en perfecto estado técnico.
- ▶ Manipule las baterías con cuidado a fin de evitar daños o escapes de líquido altamente peligroso para su salud.
- ▶ Las baterías no deben modificarse ni manipularse en ningún caso.
- ▶ Las baterías no se deben destruir, comprimir, calentar por encima de 80 °C (176 °F) o quemar.
- ▶ No utilice ni cargue baterías que hayan recibido algún golpe ni que estén dañadas de alguna otra forma. Compruebe con regularidad si las baterías presentan signos de daños.
- ▶ No utilice nunca baterías recicladas o reparadas.
- ▶ Nunca utilice la batería o una herramienta eléctrica de batería como herramienta de percusión.
- ▶ No exponga nunca las baterías a radiación solar directa, temperaturas elevadas, chispas o llamas abiertas. Esto puede provocar explosiones.
- ▶ No toque los polos de la batería con los dedos, con herramientas, con joyas o con otros objetos conductores de la electricidad. Esto puede dañar la batería y provocar otros daños materiales y lesiones.
- ▶ Mantenga las baterías alejadas de la lluvia, la humedad y los líquidos. Si entra humedad, pueden producirse cortocircuitos, descargas eléctricas, quemaduras, incendios y explosiones.
- ▶ Utilice únicamente cargadores y herramientas eléctricas concebidos para este tipo de baterías. Para ello, consulte las indicaciones recogidas en el manual de instrucciones correspondiente.
- ▶ No utilice ni almacene la batería en entornos con peligro de explosión.
- ▶ Si al tocar la batería detecta que está muy caliente, puede deberse a una avería en la misma. Coloque la batería en un lugar visible, no inflamable, a suficiente distancia de otros materiales inflamables. Deje que la batería se enfríe. Si, después de una hora, la herramienta sigue estando demasiado caliente para tocarla significa que está averiada. Diríjase al Servicio Técnico de **Hilti** o lea el documento «Indicaciones de seguridad y uso de las baterías de Ion-Litio de **Hilti**».



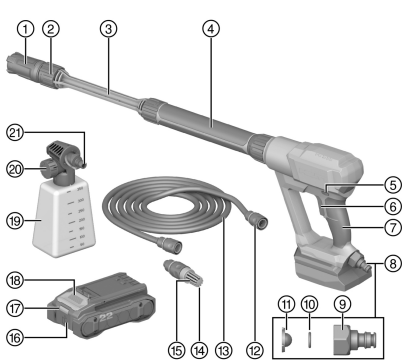
Tenga en cuenta las directivas especiales aplicables al transporte, almacenamiento y uso de las baterías de Ion-Litio. → página 36

Lea las instrucciones de seguridad y uso de las baterías de Ion-Litio de **Hilti**, que puede encontrar escaneando el código QR que se encuentra al final de estas instrucciones de uso.



3 Descripción

3.1 Vista general del producto



- ① Boquilla pulverizadora
- ② Ajustar la boquilla pulverizadora
- ③ Lanza pulverizadora
- ④ Empuñadura
- ⑤ Interruptor de conexión y desconexión con bloqueo
- ⑥ Interruptor de conexión y desconexión
- ⑦ Empuñadura
- ⑧ Toma del agua
- ⑨ Acoplamiento de toma del agua
- ⑩ Junta
- ⑪ Filtro de agua
- ⑫ Acoplamiento del tubo flexible de aspiración
- ⑬ Tubo flexible de aspiración
- ⑭ Alma de soporte
- ⑮ Filtro de admisión
- ⑯ Batería
- ⑰ Indicador de estado de la batería
- ⑱ Tecla de desbloqueo de la batería
- ⑲ Depósito de detergente (accesorio)
- ⑳ Rueda dosificadora
- ㉑ Acoplamiento del depósito de detergente

3.2 Uso conforme a las prescripciones

El producto descrito es un aparato de limpieza a alta presión accionado por batería. Está concebido para el uso profesional en interiores y exteriores para la limpieza con agua de, por ejemplo, vehículos, máquinas, superficies exteriores, herramientas, fachadas, terrazas, etc.

Opcionalmente, se puede montar un depósito de detergente en la lanza de pulverización.

- Para este producto utilice únicamente baterías de Ion-Litio de la serie B 22 de **Hilti** Nuron. Para garantizar que este producto ofrece un rendimiento óptimo, **Hilti** recomienda utilizar las baterías indicadas en la tabla que encontrará al final de este manual de instrucciones.
- Para estas baterías utilice exclusivamente los cargadores **Hilti** de las series indicadas en la tabla que encontrará al final de este manual de instrucciones.

3.3 Suministro

Aparato de limpieza a alta presión a batería, lanza pulverizadora, boquilla pulverizadora, tubo flexible de aspiración con filtro de admisión, manual de instrucciones



Encontrará otros productos del sistema autorizados para su producto en su **Hilti Store** o en Internet, en: www.hilti.group

3.4 Mostrando la batería Ion-Litio

Las baterías de Ion-Litio de **Hilti** Nuron pueden mostrar el estado de carga, los mensajes de error y el estado de la batería.

3.4.1 Visualización del estado de carga y de los mensajes de error



ADVERTENCIA

Riesgo de lesiones por la caída de la batería

- Con la batería colocada, asegúrese tras pulsar la tecla de desbloqueo de que la batería vuelva a encajar correctamente en el producto empleado.



Para recibir una de las siguientes indicaciones, pulse brevemente la tecla de desbloqueo de la batería. El estado de carga y las posibles averías también se muestran de forma permanente mientras el producto esté conectado.

Estado	Significado
Cuatro (4) LED encendidos permanentemente en verde	Estado de carga: 100 % a 71 %
Tres (3) LED encendidos permanentemente en verde	Estado de carga: 70 % a 51 %
Dos (2) LED se iluminan permanentemente en verde	Estado de carga: 50 % a 26 %
Un (1) LED está encendido permanentemente en verde	Estado de carga: 25 % a 10 %
Un (1) LED parpadea lentamente en verde	Estado de carga: < 10 %
Un (1) LED parpadea rápidamente en verde	La batería Ion-Litio está totalmente descargada. Cargue la batería. Si tras cargar la batería el LED sigue parpadeando rápidamente, diríjase al Servicio Técnico de Hilti .
Un (1) LED parpadea rápidamente en amarillo	La batería de Ion-Litio o el producto conectado a ella están sobrecargados, demasiado calientes, demasiado fríos o existe otro error. Ponga el producto y la batería en la temperatura de trabajo recomendada y no sobrecargue el producto durante su uso. Si sigue viendo el mensaje, diríjase al Servicio Técnico de Hilti .
Un (1) LED está encendido en amarillo	La batería Ion-Litio y el producto conectado a ella no son compatibles. Diríjase al servicio técnico de Hilti .
Un (1) LED parpadea rápidamente en rojo	La batería Ion-Litio está bloqueada y no puede seguir utilizándose. Diríjase al servicio técnico de Hilti .

3.4.2 Visualización del estado de la batería

Para consultar el estado de la batería, mantenga la tecla de desbloqueo pulsada durante más de tres segundos. El sistema no detecta un posible funcionamiento incorrecto de la batería debido a un mal uso, como caídas, hendiduras, daños por calor externo, etc.

Estado	Significado
Todos los LED se encienden como luz en movimiento y, a continuación, se enciende un (1) LED permanentemente en verde.	La batería puede seguir utilizándose.
Todos los LED se encienden como luz en movimiento y, a continuación, parpadea un (1) LED rápidamente en amarillo.	No se ha podido completar la consulta sobre el estado de la batería. Repita la operación o diríjase al Servicio Técnico de Hilti .
Todos los LED se encienden como luz en movimiento y, a continuación, parpadea un (1) LED permanentemente en rojo.	Cuando un producto conectado puede seguir utilizándose, la capacidad restante de la batería es inferior al 50 %. Cuando un producto conectado ya no puede seguir utilizándose, la batería ha llegado al final de su vida útil y debe ser sustituida. Diríjase al servicio técnico de Hilti .

3.5 Posibilidades de configuración (boquilla pulverizadora)

Símbolo	Función	Descripción de funcionamiento
	Chorro plano	Limpieza de superficies con suciedad media



Símbolo	Función	Descripción de funcionamiento
	Ducha	Limpieza de superficies con suciedad media
	Turbocuchilla	Limpieza de superficies con suciedad intensa
	Chorro puntual	Limpieza puntual para suciedad intensa

4 Datos técnicos

4.1 Características del producto

	PC 2-22
Grado de protección IP	IP X5 (Protección contra chorros de agua desde todas las direcciones)
Peso	2,1 kg (4,63 lb)
Presión nominal	40 bar \pm 3 bar (580 psi \pm 44 psi)
Presión admisible	6 MPa (870 psi)
Toma del agua	Toma de agua/acoplamiento de 1/2"
Temperatura de entrada máxima	40 °C (104,0 °F)
Presión de entrada máxima	0,6 MPa (87 psi)
Caudal nominal (agua)	2,2 ℓ/min (0,58 liq. gal _{US} /min)
Caudal máximo (agua)	4,5 ℓ/min (1,19 liq. gal _{US} /min)
Altura de aspiración máxima (solo con el tubo flexible completamente lleno)	4 m (13 ft - 1 in)
Temperatura ambiente en funcionamiento	0 °C ... 60 °C (32,0 °F ... 140,0 °F)
Temperatura de almacenamiento	-20 °C ... 70 °C (-4,0 °F ... 158,0 °F)

4.2 Batería

Tensión de servicio de la batería	21,6 V
Peso batería	Véase al final del manual de instrucciones
Temperatura ambiente en funcionamiento	-17 °C ... 60 °C (1,4 °F ... 140,0 °F)
Temperatura de almacenamiento	-20 °C ... 40 °C (-4,0 °F ... 104,0 °F)
Temperatura de la batería al comenzar la carga	-10 °C ... 45 °C (14,0 °F ... 113,0 °F)



5 Preparación del trabajo

ADVERTENCIA

Riesgo de lesiones por arranque involuntario.

- ▶ Antes de insertar la batería, asegúrese de que el producto correspondiente esté desconectado.
- ▶ Retire la batería antes de realizar ajustes en la herramienta o de cambiar accesorios.

Respete las indicaciones de seguridad y las advertencias presentes en esta documentación y en el producto.

5.1 Carga de la batería

1. Antes de cargarla, lea el manual de instrucciones del cargador.
2. Asegúrese de que los contactos de la batería y del cargador estén limpios y secos.
3. Cargue la batería en un cargador autorizado. → página 30

5.2 Colocación de la batería

ADVERTENCIA

Riesgo de lesiones por cortocircuito o caída de la batería.

- ▶ Antes de insertar la batería, asegúrese de que los contactos de la batería y del producto estén libres de cuerpos extraños.
- ▶ Asegúrese de que la batería encaje siempre correctamente.

1. Cargue por completo la batería antes de la primera puesta en servicio.
2. Introduzca la batería en el producto hasta que encaje de forma audible.
3. Compruebe que la batería está bien colocada.

5.3 Extracción de la batería

1. Pulse la tecla de desbloqueo de la batería.
2. Retire la batería del producto.

5.4 Montaje del producto

Todos los módulos (la boquilla pulverizadora, la lanza pulverizadora y el depósito de detergente) disponen de un mecanismo de bloqueo universal. El procedimiento descrito se aplica a todos los módulos con el mismo tipo de conexión.

1. Inserte el módulo en el alojamiento de montaje.
2. Gire el módulo hacia la derecha hasta que quede bloqueado.
3. Fije el módulo con la tuerca de unión.

5.4.1 Preparación del suministro de agua mediante la tubería de agua

ATENCIÓN

Daños materiales debidos a una instalación incorrecta del separador de sistemas. Un separador de sistemas montado en la herramienta puede provocar daños en la limpiadora de alta presión.

- ▶ Monte el separador de sistemas siempre en el grifo de agua.

1. Instale un separador de sistemas en la toma del agua.
2. Monte un acoplamiento del tubo flexible de aspiración en el separador de sistemas.
3. Monte otro acoplamiento del tubo flexible de aspiración en el aparato de limpieza a alta presión.
4. Abra la llave de agua del suministro de agua.

5.4.2 Preparación del suministro de agua mediante recipientes abiertos

Puede utilizar cualquier tipo de recipiente abierto para el suministro de agua. Asegúrese de que no haya otros líquidos o agua sucia en el depósito abierto. En caso de suministro de agua a través de recipientes abiertos, utilice siempre un filtro de aspiración. De este modo se evita la aspiración de cuerpos extraños que puedan dañar el producto.

1. Monte el acoplamiento del tubo flexible de aspiración suministrado en el acoplamiento (toma del agua) del producto.
2. Instale un filtro de admisión en el acoplamiento libre del tubo flexible de aspiración.



3. Coloque el tubo flexible de aspiración con el filtro de entrada montado en un recipiente de agua abierto.

5.5 Interruptor de conexión y desconexión con bloqueo 4

1. Deslice el pestillo del interruptor de conexión y desconexión hacia la derecha.
 - ▶ El interruptor de conexión y desconexión está bloqueado y no puede accionarse accidentalmente.
2. Deslice el pestillo del interruptor de conexión y desconexión hacia la izquierda.
 - ▶ El interruptor de conexión y desconexión puede accionarse.

5.6 Montar el depósito de detergente (accesorio) 5


1. Desmonte la boquilla pulverizadora de la lanza pulverizadora.
2. Monte el depósito de detergente en la lanza de pulverización.
3. Utilice la rueda dosificadora para regular la cantidad de detergente que debe dispensarse.
 - ▶ Gire la rueda dosificadora hacia la izquierda para obtener más detergente.
 - ▶ Gire la rueda dosificadora hacia la derecha para obtener menos detergente.

5.7 Protección frente a caídas

ADVERTENCIA

Riesgo de lesiones por caída de herramientas o accesorios.


- ▶ Utilice únicamente la cuerda de amarre para herramientas **Hilti** recomendada para su producto.
- ▶ Antes de cada uso, compruebe que el punto de fijación de la cuerda de amarre para herramientas no presente posibles daños.

 Tenga en cuenta las directivas nacionales para trabajos en altura.

Para este producto, utilice únicamente como protección frente a caídas la cuerda de amarre para herramientas **Hilti** #2261971.

- ▶ Fije la cuerda de amarre para herramientas con la correa del producto como se muestra en la figura. Compruebe que quede fijada de forma segura.
- ▶ Fije el mosquetón a una estructura portante. Compruebe que el mosquetón quede fijado de forma segura.



 Tenga en cuenta el manual de instrucciones de la cuerda de amarre para herramientas **Hilti**.

6 Manejo

6.1 Indicaciones para el correcto funcionamiento

Antes de cada uso, compruebe que el producto genera presión en un tiempo máximo de 2 minutos. Evite el funcionamiento en seco del producto. El funcionamiento en seco durante un determinado periodo de tiempo puede dañar el producto.

Seleccione siempre el modo de funcionamiento adecuado en función del grado de suciedad y de la sensibilidad de la superficie de trabajo. Una presión de agua excesiva puede dañar las superficies. Evite ajustar una presión demasiado alta (☹) y trabajar a distancias inferiores a 30 cm en, por ejemplo, superficies pintadas, superficies de madera sensibles o neumáticos.

La función de aspiración automática solo funciona hasta una altura de 1,2 metros. Asegúrese de que el tubo flexible de aspiración está lleno de agua antes de trabajar a más de 1,2 metros de altura.



6.2 Conexión o desconexión del producto

Conexión del producto

1. Pulse y mantenga pulsado el interruptor de conexión y desconexión.
 - ▶ La bomba se pone en marcha y sale un chorro de agua.



- Tenga en cuenta la altura máxima de aspiración al dirigir la entrada de agua. La aspiración automática de la bomba funciona hasta una diferencia de altura máxima de 1,2 m.
- Si el producto no genera presión después de 2 minutos, detenga el funcionamiento y busque las causas y soluciones → página 37.

2. Lleve a cabo los trabajos de limpieza.

Desconexión del producto

3. Suelte el interruptor de conexión y desconexión.
 - ▶ La bomba y el suministro de agua se detendrán.



- Si almacena el producto a temperaturas cercanas o inferiores al punto de congelación, retire todos los residuos de agua del producto y de todos los conductos de suministro.

7 Cuidado y mantenimiento

ADVERTENCIA

Riesgo de lesiones con la batería colocada !

- ▶ Extraiga siempre la batería antes de llevar a cabo tareas de cuidado y mantenimiento.

Cuidado del producto

- Elimine con precaución la suciedad fuertemente adherida.
- Las rejillas de ventilación, si las hay, deben limpiarse con cuidadosamente con un cepillo seco y suave.
- Limpie la carcasa solo con un paño ligeramente humedecido. No utilice productos de limpieza que contengan silicona, ya que podrían dañar las piezas de plástico.
- Utilice un paño limpio y seco para limpiar los contactos del producto.

Cuidado de las baterías de Ion-Litio

- No utilice nunca una batería con las rejillas de ventilación obstruidas. Limpie cuidadosamente las rejillas de ventilación con un cepillo seco y suave.
- Evite la exposición innecesaria de la batería al polvo o la suciedad. No exponga nunca la batería a altos niveles de humedad (por ejemplo, sumergiéndola en agua o dejándola bajo la lluvia). Si penetra agua en la batería, trátela como una batería dañada. Aíslela en un recipiente no inflamable y póngase en contacto con el Servicio Técnico de **Hilti**.
- Mantenga la batería limpia de aceite o grasa. No permita la acumulación innecesaria de polvo o suciedad en la batería. Limpie la batería con un cepillo seco y suave o con un paño limpio y seco. No utilice productos de limpieza que contengan silicona, ya que podrían dañar las piezas de plástico. No toque los contactos de la batería y no elimine de los contactos la grasa aplicada de fábrica.
- Limpie la carcasa solo con un paño ligeramente humedecido. No utilice productos de limpieza que contengan silicona, ya que podrían afectar a las piezas de plástico.

Mantenimiento

- Compruebe con regularidad que las piezas visibles no estén dañadas y los elementos de manejo funcionen correctamente.
- No utilice el producto si presenta daños o fallos que afecten al funcionamiento. Encargue inmediatamente la reparación del producto al Servicio Técnico de **Hilti**.
- Tras las tareas de cuidado y mantenimiento, coloque todos los dispositivos de protección y asegúrese de que funcionen correctamente.



- Para garantizar un correcto funcionamiento, utilice exclusivamente piezas de repuesto y consumibles originales. Las piezas de repuesto, los consumibles y los accesorios autorizados por **Hilti** se pueden consultar en su **Hilti Store** o en: www.hilti.group


7.1 Limpiar el filtro de admisión

1. Desmonte el filtro de admisión del tubo flexible de aspiración.




2. Gire el acoplamiento del filtro de admisión.
3. Retire el anillo de sellado del filtro de admisión.
4. Doble las dos barras de retención para separarlas.
5. Retire el colador del filtro de admisión.
6. Limpie todas las piezas poniéndolas bajo un chorro de agua corriente.
7. Limpie el colador y el interior del filtro de admisión con un cepillo pequeño.
8. Monte el filtro de admisión.
9. Coloque el filtro de admisión en el tubo flexible de aspiración.

7.2 Limpiar el filtro de agua

1. Desmonte el acoplamiento de la toma del agua del aparato de limpieza a alta presión.
 Si es necesario, afloje el acoplamiento de la toma del agua con una llave de boca.
2. Retire el filtro de agua del acoplamiento de la toma del agua.
3. Limpie todas las piezas poniéndolas bajo un chorro de agua corriente.
4. Coloque el filtro de agua en el acoplamiento de la toma del agua.
5. Monte el acoplamiento de la toma del agua en el aparato de limpieza a alta presión.

7.3 Limpiar la boquilla pulverizadora

-  Limpie la boquilla pulverizadora con un objeto punzante, por ejemplo, un clip doblado.
1. Desmonte la boquilla pulverizadora de la lanza pulverizadora.
2. Introduzca el objeto punzante en la boquilla pulverizadora.
3. Desplace el objeto puntiagudo hacia delante y hacia atrás hasta que se mueva con facilidad.
4. Monte la boquilla pulverizadora en la lanza pulverizadora.

8 Transporte y almacenamiento de las baterías y sus herramientas

Transporte

PRECAUCIÓN

Arranque involuntario en el transporte !

- ▶ Transporte sus productos siempre sin batería.
- ▶ Extraiga la(s) batería(s).
- ▶ Nunca transporte las baterías sin embalaje. Durante el transporte, las baterías deben estar protegidas frente a vibraciones y golpes excesivos y aisladas de todo material conductor y de otras baterías para que no entren en contacto con los polos de otras baterías y causen un cortocircuito. **Tenga en cuenta las normativas locales sobre el transporte de baterías.**
- ▶ Las baterías no deben enviarse por correo. Diríjase a una empresa de transporte si quiere enviar baterías no dañadas.
- ▶ Compruebe si el producto o las baterías están dañados antes de cada uso y antes y después de un transporte prolongado.

Almacenamiento

ADVERTENCIA

Daños imprevistos debido a una batería defectuosa o agotada !

- ▶ Guarde su productos siempre sin batería.
- ▶ Guarde el producto y las baterías en un lugar fresco y seco. Tenga en cuenta los valores límite de temperatura que figuran en los datos técnicos.
- ▶ No almacene las baterías en el cargador. Extraiga siempre la batería del cargador después del proceso de carga.
- ▶ No guarde nunca las baterías en un lugar expuesto al sol, a fuentes de calor o detrás de un cristal.
- ▶ Guarde el producto y las baterías fuera del alcance de niños y personas no autorizadas.



- ▶ Compruebe si el producto o las baterías están dañados antes de cada uso y antes y después de un almacenamiento prolongado.

9 Ayuda en caso de averías

En caso de producirse una avería, compruebe el indicador de estado de la batería. Véase el capítulo **Mostrar la batería de Ion-Litio**.

Si se producen averías que no estén incluidas en esta tabla o que no pueda solucionar usted, diríjase al Servicio Técnico de **Hilti**.

9.1 Tabla de averías y medidas de subsanación

Anomalía	Posible causa	Solución
Los LED de la batería no emiten ninguna indicación	La batería está defectuosa.	▶ Póngase en contacto con el Servicio Técnico de Hilti .
El motor no funciona	Congelación	▶ Descongele la bomba, la manguera o los accesorios.
El motor funciona, pero no hay presión	Boquilla pulverizadora obstruida	▶ Limpie la boquilla pulverizadora.
Presión pulsátil	Aire en la manguera o en la bomba	▶ Haga funcionar el aparato de limpieza a alta presión con el grifo abierto hasta que se alcance una presión efectiva uniforme.
	Suministro de agua incorrecto	▶ Compruebe si la toma del agua se corresponde con las indicaciones de los datos técnicos y suministra suficiente agua.. Las mangueras más pequeñas que pueden utilizarse son de 1/2" o ø 13 mm.
	Filtro de agua o filtro de admisión obstruido	▶ Limpie el filtro de agua o el filtro de admisión.
	Tubo flexible de aspiración doblado o aplastado	▶ Enderece el tubo flexible de aspiración.
Presión baja de forma permanente (Indicación: algunos accesorios pueden reducir la presión)	Boquilla pulverizadora desgastada	▶ Cambie la boquilla pulverizadora.
El motor funciona, pero la presión es limitada o no hay presión efectiva	Agua no conectada	▶ Conecte la toma de agua.
	Filtro de agua o filtro de admisión obstruido	▶ Limpie el filtro de agua o el filtro de admisión.
	Boquilla pulverizadora obstruida	▶ Limpie la boquilla pulverizadora.

10 Reciclaje

ADVERTENCIA

Riesgo de lesiones por un reciclaje indebido. Riesgo para la salud debido a escapes de gases o líquidos.

- ▶ No envíe baterías dañadas bajo ningún concepto.
- ▶ Cubra las conexiones con un material no conductor para evitar cortocircuitos.
- ▶ Deshágase de las baterías de tal forma que no terminen en manos de niños.
- ▶ Elimine la batería en su **Hilti Store** o diríjase a su empresa de desechos.

Los productos **Hilti** están fabricados en su mayor parte con materiales reutilizables. La condición para dicha reutilización es una separación adecuada de los materiales. En muchos países, **Hilti** recoge las herramientas usadas para su recuperación. Pregunte al Servicio de Atención al Cliente de **Hilti** o a su asesor de ventas.





- ▶ No deseche las herramientas eléctricas, los aparatos eléctricos ni las baterías junto con los residuos domésticos.

11 Garantía del fabricante

- ▶ Si tiene alguna consulta acerca de las condiciones de la garantía, póngase en contacto con su sucursal local de Hilti.

12 Más información


Encontrará información adicional sobre manejo, técnica, medio ambiente y reciclaje en el siguiente enlace: qr.hilti.com/manual/?id=2404923

Encontrará este enlace también al final del manual de instrucciones como código QR.

Manual de instruções original

1 Indicações sobre o Manual de instruções

1.1 Relativamente a este Manual de instruções

- **Aviso!** Antes de utilizar o produto, certifique-se de que leu e compreendeu o Manual de instruções fornecido com o produto incluindo as instruções, instruções de segurança e advertências, figuras e especificações. Familiarize-se sobretudo com todas as instruções, instruções de segurança e advertências, figuras, especificações, bem como com componentes e funções. Em caso de incumprimento existe perigo de choque eléctrico, incêndio e/ou ferimentos graves. Guarde o Manual de instruções incluindo todas as instruções, instruções de segurança e advertências para utilização posterior.
- Os produtos **HILTI** destinam-se ao utilizador profissional e só podem ser operados, mantidos e reparados por pessoal autorizado, devidamente qualificado. Estas pessoas deverão estar informadas em particular sobre os potenciais perigos. O produto e seu equipamento auxiliar podem representar perigo se usados incorrectamente por pessoas não qualificadas ou se usados para fins diferentes daqueles para os quais foram concebidos.
- O Manual de instruções fornecido corresponde ao actual avanço tecnológico no momento da impressão. Encontra a versão actual sempre online, na página de produtos Hilti. Para o efeito, siga a hiperligação ou o código QR neste Manual de instruções, identificado com o símbolo .
- Entregue o produto a outras pessoas apenas juntamente com o Manual de instruções.

1.2 Explicação dos símbolos

1.2.1 Advertências

As advertências alertam para perigos durante a utilização do produto. São utilizadas as seguintes palavras de aviso:

PERIGO

PERIGO !

- ▶ Indica perigo iminente que pode originar acidentes pessoais graves ou até mesmo fatais.

AVISO

AVISO !

- ▶ Indica um possível perigo que pode causar graves ferimentos pessoais, até mesmo fatais.

CUIDADO

CUIDADO !

- ▶ Indica uma situação potencialmente perigosa que pode originar ferimentos corporais ou danos materiais.

1.2.2 Símbolos no manual de instruções

Neste manual de instruções são utilizados os seguintes símbolos:



	Consultar o manual de instruções
	Instruções de utilização e outras informações úteis
	Manuseamento com materiais recicláveis
	Não deitar as ferramentas eléctricas e baterias no lixo doméstico
	Bateria de iões de lítio Hilti
	Carregador Hilti

1.2.3 Símbolos nas figuras

Em figuras são utilizados os seguintes símbolos:

	Estes números remetem para a figura respectiva no início do presente manual de instruções.
3	A numeração reproduz uma sequência dos passos de trabalho na imagem e pode divergir dos passos de trabalho no texto.
	Na figura Vista geral são utilizados números de posição que fazem referência aos números da legenda na secção Vista geral do produto .
	Este símbolo pretende despertar a sua atenção durante o manuseamento do produto.

1.3 Símbolos

1.3.1 Símbolos no produto

No produto, podem usar-se os seguintes símbolos:

	O produto suporta a tecnologia NFC que é compatível com plataformas iOS e Android.
Li-Ion	Bateria de iões de lítio
	O produto não pode ser ligado directamente à rede de água potável. Utilize um desconector de acordo com a norma EN 12729 do tipo BA. A água, que tenha percorrido este desconector, não pode ser utilizada como água potável.
	Nunca bata com um objecto na bateria nem utilize a bateria como ferramenta de percussão.
	Não deixe cair a bateria. Não utilize baterias que tenham recebido uma pancada ou que estejam, de outra forma, danificadas.
	Série utilizada da bateria de iões de lítio Hilti . Tenha em atenção as indicações no capítulo Utilização conforme a finalidade projectada .
	Se existente no produto, isso significa que o produto foi certificado por este organismo de certificação para o mercado americano e canadiano de acordo com as normas em vigor.

1.4 Dados informativos sobre o produto

Os produtos **HILTI** destinam-se ao utilizador profissional e só podem ser operados, mantidos e reparados por pessoal autorizado, devidamente qualificado. Estas pessoas deverão estar informadas em particular sobre os potenciais perigos. O produto e seu equipamento auxiliar podem representar perigo se usados incorrectamente por pessoas não qualificadas ou se usados para fins diferentes daqueles para os quais foram concebidos.

A designação e o número de série são indicados na placa de características.



- ▶ Registe o número de série na tabela seguinte. Precisa dos dados do produto para colocar questões ao nosso representante ou posto de serviço de atendimento aos clientes.

Dados do produto

Lavadora de alta pressão a bateria	PC 2-22
Geração	01
N.º de série	

2 Segurança

2.1 Normas gerais de segurança

Além das indicações de segurança mencionadas em cada capítulo deste manual de instruções, deve observar sempre os pontos a seguir indicados.

- ▶ **Leia todas as indicações!** A inobservância das seguintes indicações pode resultar em choque eléctrico, incêndio e/ou ferimentos pessoais.
- ▶ **Nunca efectue quaisquer manipulações ou modificações no produto ou nos acessórios.**
- ▶ **Utilize o aparelho correcto. Não utilize o aparelho para fins para os quais não foi concebido, e apenas se estiver completamente operacional.**
- ▶ **Antes da realização de trabalhos com o aparelho, informe-se sobre o seu manuseamento, os perigos eventualmente decorrentes do material e a eliminação do líquido existente.**
- ▶ **Considere as influências ambientais. Não utilize o aparelho onde exista risco de incêndio ou de explosão.**
- ▶ **AVISO! O aparelho só pode ser utilizado por pessoas que estão familiarizados com o mesmo, instruídas quanto à utilização segura do mesmo e perceberem os perigos daí resultantes. O aparelho não foi concebido para ser utilizado por crianças. As crianças devem ser vigiadas para assegurar que não brinquem com o aparelho.**
- ▶ **A lavadora de alta pressão não se destina à utilização por pessoas com capacidades físicas, sensoriais ou mentais reduzidas ou falta de experiência e conhecimentos.**
- ▶ **Guarde os aparelhos não utilizados num local seguro. Aparelhos que não estejam a ser utilizados, devem ser guardados num local seco, alto ou fechado, fora do alcance das crianças.**

2.2 Segurança física

- ▶ **Esteja atento ao que está a fazer e tenha prudência ao trabalhar com o produto. Não utilize a lavadora de alta pressão se estiver cansado ou sob influência de drogas, álcool ou medicamentos.** Um momento de falta de atenção na utilização do equipamento pode causar ferimentos graves.
- ▶ **Evite posturas corporais desfavoráveis. Mantenha sempre uma posição correcta, em perfeito equilíbrio.** Desta forma será mais fácil manter o controlo sobre a lavadora de alta pressão em situações inesperadas.
- ▶ O jacto de água da lavadora de alta pressão origina um contragolpe. Segure o produto sempre com as duas mãos pelo punho e na superfície do punho.
- ▶ Antes de colocar o produto em funcionamento, direcione o bico pulverizador sempre numa direcção que seja segura.
- ▶ **AVISO! As lavadoras de alta pressão podem constituir perigo em caso de utilização incorrecta.** Não efectue a limpeza se existirem terceiros desprotegidos na área de perigo. Nunca direcione o jacto de água para pessoas, crianças ou outros seres vivos.
- ▶ **AVISO! Nunca direcione o jacto contra si mesmo ou outros, por exemplo, para lavar roupa ou calçado.**
- ▶ **Mantenha dedos, mãos, pés e outras partes do corpo longe do jacto de água.** O jacto de água de alta pressão pode originar ferimentos e é suficientemente forte para causar, p. ex., cegueira, se estiver demasiado perto quando é ligado o jacto de pulverização.
- ▶ **Utilize sempre uma máscara durante a limpeza de áreas fortemente contaminadas com pó.** O pó levantado com o jacto de água pode provocar ferimentos.
- ▶ **Utilize sempre uma protecção ocular durante a utilização do produto.** Deste modo, previne ferimentos nos olhos e uma eventual cegueira.
- ▶ **AVISO! Podem formar-se aerossóis durante a utilização de lavadoras de alta pressão.** A inalação de aerossóis pode ser prejudicial para a saúde. Por isso, utilize sempre uma máscara respiratória.
- ▶ **AVISO! Risco de explosão** - Não pulverize líquidos inflamáveis.
- ▶ Efectue uma avaliação de riscos para determinar as medidas de protecção necessárias contra aerossóis em função da superfície a limpar e do seu meio envolvente. Para a protecção contra aerossóis com teor



de água adequam-se máscaras respiratórias de classificação FFP 2, de uma classificação equivalente ou superior.

- ▶ **Tanto o utilizador como as pessoas nas proximidades devem utilizar vestuário de protecção durante a utilização e a manutenção do aparelho.** Incluindo: óculos de protecção, capacete de protecção, protecção auricular, luvas de protecção, luvas de segurança e uma protecção respiratória leve.
- ▶ **Respeite as directivas para a prevenção de acidentes que vigoram no país de utilização.**

2.3 Local de trabalho

- ▶ **Assegure-se de que o local está bem iluminado.**
- ▶ **Assegure-se de que o local de trabalho está bem ventilado.** Áreas de trabalho mal ventiladas podem suscitar problemas de saúde devido à inalação de aerossóis e pó.
- ▶ **Mantenha o seu local de trabalho arrumado. Mantenha o local de trabalho livre de quaisquer objectos que possam provocar ferimentos.** O desleixo no local de trabalho pode causar acidentes.
- ▶ **Não opere com o aparelho em ambientes explosivos ou na proximidade de líquidos ou gases inflamáveis.** Ferramentas eléctricas produzem faíscas que podem provocar a ignição de pó e vapores.

2.4 Segurança eléctrica

- ▶ **Evite o contacto do corpo com superfícies ligadas à terra, como, por exemplo, canos, radiadores, fogões e frigoríficos.** Existe um risco elevado de choque eléctrico se o corpo estiver com ligação à terra.
- ▶ **Nunca direcione o jacto de água directamente para equipamentos eléctricos ou electrónicos.**

2.5 Normas de segurança adicionais

- ▶ Utilize o produto e os acessórios somente se estiverem em perfeitas condições técnicas.
- ▶ **Risco de ferimentos devido a queda de ferramentas e/ou acessórios.** Antes de iniciar os trabalhos, verifique se a bateria e os acessórios montados estão realmente fixos.
- ▶ Desligue a lavadora de alta pressão mesmo que o deixe apenas por instantes sem supervisão.
- ▶ **AVISO!** O produto não pode ser ligado directamente à rede de água potável. Utilize um desconector de acordo com a EN 12729 Typ BA. A água, que tenha percorrido este desconector, não pode ser utilizada como água potável.
- ▶ **AVISO!** Peças sobresselentes e acessórios são importantes para garantir a segurança da lavadora de alta pressão. Por isso, utilize apenas peças sobresselentes e acessórios originais, recomendados ou produzidos pelo fabricante.
- ▶ **AVISO!** Mangueiras de alta pressão, adaptadores e acoplamentos são importantes para a segurança do lavadora de alta pressão. Utilize apenas mangueiras, adaptadores e acoplamentos recomendados pelo fabricante.
- ▶ **AVISO!** Este aparelho destina-se apenas à utilização com o produto de limpeza fornecido ou recomendado pelo fabricante. A utilização de outros produtos de limpeza ou químicos pode prejudicar a segurança do aparelho.
- ▶ **AVISO!** Bicos de alta pressão podem ser perigosos em caso de utilização incorrecta. O jacto não pode ser direccionado para pessoas, equipamentos eléctricos condutores de corrente ou para a própria máquina.
- ▶ Utilize a lavadora de alta pressão sempre com o filtro de sucção original.
- ▶ Nunca utilize a lavadora de alta pressão em áreas em que existam pós, líquidos ou vapores inflamáveis.
- ▶ Utilize exclusivamente líquidos e produtos de limpeza autorizados para a utilização com lavadoras de alta pressão.
- ▶ Utilize apenas produtos de limpeza com uma ficha de dados de segurança própria (MSDS) e siga as instruções da MSDS.
- ▶ Proteja olhos, pulmões e pele contra o contacto com o produto de limpeza.
- ▶ Armazene a lavadora de alta pressão num compartimento fechado para a proteger contra radiação solar prolongada e gelo. Esvazie a restante água residual antes de armazenar a lavadora de alta pressão. Se a restante água residual congelar e se expandir na lavadora de alta pressão, o equipamento sofre danos e deixa de ser funcional.



2.6 Utilização e manutenção de baterias

- ▶ **Tenha em atenção as seguintes indicações de segurança para um manuseamento e utilização seguros de baterias de iões de lítio.** A inobservância pode causar irritações da pele, ferimentos corrosivos graves, queimaduras químicas, fogo e/ou explosões.
- ▶ Utilize baterias somente se estiverem em perfeitas condições técnicas.
- ▶ Manuseie cuidadosamente as baterias a fim de evitar danos e impedir a fuga de líquidos extremamente nocivos!
- ▶ As baterias não devem, em caso algum, ser modificadas ou manipuladas!
- ▶ As baterias não podem ser desmanteladas, esmagadas, aquecidas acima dos 80 °C (176 °F) ou incineradas.
- ▶ Não utilize ou carregue baterias que tenham recebido uma pancada ou que estejam, de outra forma, danificadas. Verifique regularmente se as suas baterias apresentam indícios de danos.
- ▶ Nunca utilize baterias recicladas ou reparadas.
- ▶ Nunca utilize a bateria ou uma ferramenta eléctrica a bateria como ferramenta de percussão.
- ▶ Nunca expor as baterias à radiação solar directa, temperaturas elevadas, faíscas ou chamas abertas. Isso pode dar origem a explosões.
- ▶ Não toque nos pólos da bateria com os dedos, ferramentas, jóias ou outros objectos condutores da electricidade. Isto pode danificar a bateria e causar danos materiais e ferimentos.
- ▶ Mantenha as baterias afastadas da chuva, humidade e líquidos. A entrada de humidade pode causar curto-circuitos, choques eléctricos, queimaduras, incêndio e explosões.
- ▶ Utilize apenas carregadores e ferramentas eléctricas previstos para este tipo de bateria. Para isso, tenha em atenção as indicações nos respectivos manuais de instruções.
- ▶ Nunca utilize nem guarde a bateria em ambientes potencialmente explosivos.
- ▶ Se a bateria estiver demasiado quente ao toque, poderá estar com defeito. Coloque a bateria num local com boa visibilidade que não constitua risco de incêndio, suficientemente afastado de materiais inflamáveis. Deixe a bateria arrefecer. Se, passado uma hora, a bateria ainda estiver demasiado quente ao toque, então está com defeito. Contacte o Centro de Assistência Técnica **Hilti** ou leia a documento "Indicações relativas à segurança e utilização de baterias de iões de lítio **Hilti**".



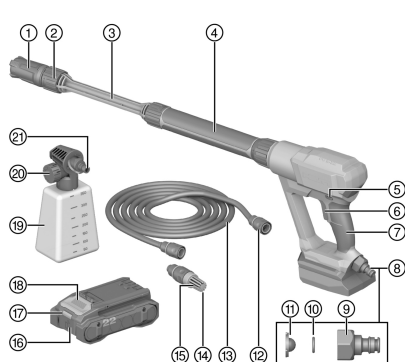
Observe as regras específicas aplicáveis ao transporte, à armazenagem e à utilização de baterias de iões de lítio. → Página 49

Leia as indicações relativas à segurança e utilização de baterias de iões de lítio **Hilti** que encontra efectuando a leitura do código QR na parte final deste manual de instruções.



3 Descrição

3.1 Vista geral do produto



- ① Bico pulverizador
- ② Ajuste do bico pulverizador
- ③ Lança pulverizadora
- ④ Superfície do punho
- ⑤ Travamento do interruptor on/off
- ⑥ Interruptor on/off
- ⑦ Punho
- ⑧ Ligaçao para a mangueira da água
- ⑨ Acoplamento da ligação da água
- ⑩ Vedante
- ⑪ Filtro de água
- ⑫ Acoplamento da mangueira de sucção
- ⑬ Mangueira de sucção
- ⑭ Nervura de retenção
- ⑮ Filtro de sucção
- ⑯ Bateria
- ⑰ Indicação de estado da bateria
- ⑱ Botão de destravamento da bateria
- ⑲ Recipiente do produto de limpeza (acessório)
- ⑳ Roda de dosagem
- ㉑ Acoplamento do recipiente de produto de limpeza

3.2 Utilização correcta

O produto descrito é uma de alta pressão a bateria. Destina-se à utilização profissional no interior e no exterior para limpar, p. ex., veículos, máquinas, superfícies exteriores, ferramentas, fachadas, terraços, etc. com água.

Opcionalmente, pode ser montado um recipiente com produto de limpeza na lança pulverizadora.

- Para este produto, utilize apenas baterias de iões de lítio **Hilti** Nuron da série B 22. Para garantir o desempenho perfeito, a **Hilti** recomenda para este produto as baterias indicadas nesta tabela, no fim deste manual de instruções.
- Para estas baterias utilize apenas carregadores **Hilti** das séries referidas na tabela no final deste manual de instruções.

3.3 Incluído no fornecimento

Lavadora de alta pressão a bateria, lança pulverizadora, bico pulverizador, mangueira de sucção com filtro de sucção, manual de instruções



Poderá encontrar outros produtos de sistema aprovados para o seu produto na sua **Hilti Store** ou em: www.hilti.group

3.4 Indicações da bateria de iões de lítio

As baterias de iões de lítio **Hilti** Nuron podem apresentar o estado de carga, mensagens de erro e o estado da bateria.

3.4.1 Indicações relativas ao estado de carga e mensagens de erro



AVISO

Risco de ferimentos devido à queda da bateria!

- ▶ Com a bateria encaixada, depois de pressionar o botão de destravamento, certifique-se de que volta a encaixar a bateria correctamente no produto utilizado.



Para obter uma das seguintes indicações, pressione brevemente o botão de destravamento da bateria. O estado de carga, assim como, possíveis avarias são apresentados de forma permanente, enquanto o produto conectado estiver ligado.

Estado	Significado
Quatro (4) LEDs estão sempre acesos a verde	Estado de carga: 100% a 71%
Três (3) LEDs estão sempre acesos a verde	Estado de carga: 70% a 51%
Dois (2) LEDs estão sempre acesos a verde	Estado de carga: 50% a 26%
Um (1) LED está sempre aceso a verde	Estado de carga: 25% a 10%
Um (1) LED pisca lentamente a verde	Estado de carga: < 10%
Um (1) LED pisca rapidamente a verde	A bateria de íões de lítio está completamente descarregada. Carregue a bateria. Se o LED ainda estiver a piscar rapidamente depois de carregar a bateria, contacte o Centro de Assistência Técnica Hilti .
Um (1) LED pisca rapidamente a amarelo	A bateria de íões de lítio ou o produto associado estão sobrecarregados, demasiado quentes, demasiado frios ou existe alguma outra falha. O produto e a bateria devem ser utilizados à temperatura de trabalho recomendada e o produto não deve ser sobrecarregado quando está a ser utilizado. Se a mensagem persistir, contacte o Centro de Assistência Técnica Hilti .
Um (1) LED acende-se a amarelo	A bateria de íões de lítio e o produto a ela ligado não são compatíveis. Contacte a Assistência Técnica Hilti .
Um (1) LED pisca rapidamente a vermelho	A bateria de íões de lítio está bloqueada e não pode continuar a ser utilizada. Contacte a Assistência Técnica Hilti .

3.4.2 Indicações relativas ao estado da bateria

Para consultar o estado da bateria, mantenha o botão de destravamento pressionado por mais de três segundos. O sistema não detecta potenciais anomalias da bateria devido a utilização inadequada como, por ex., quedas, perfurações, danos externos provocados pelo calor, etc.

Estado	Significado
Todos os LEDs acendem como luz de perseguição e, em seguida, um (1) LED está sempre aceso a verde.	A bateria pode continuar a ser utilizada.
Todos os LEDs acendem como luz de perseguição e, em seguida, um (1) LED pisca rapidamente a amarelo.	Não foi possível concluir a consulta sobre o estado da bateria. Repita o procedimento ou contacte o Centro de Assistência Técnica Hilti .
Todos os LEDs acendem como luz de perseguição e, em seguida, um (1) LED está sempre aceso a vermelho.	Se um produto conectado ainda puder ser utilizado, a capacidade restante da bateria é inferior a 50%. Se um produto conectado já não puder ser utilizado, a bateria está no fim da sua vida útil e deve ser substituída. Contacte a Assistência Técnica Hilti .

3.5 Opções de ajuste (bico pulverizador)

Símbolo	Função	Descrição da aplicação
	Jacto plano	Limpeza com sujidade média
	Chuveiro	Limpeza de superfícies com sujidade média



Símbolo	Função	Descrição da aplicação
	Turbofresadora	Limpeza de superfícies com sujidade intensiva
	Jacto pontual	Limpeza pontual em caso de sujidade intensiva

4 Características técnicas

4.1 Características do produto

	PC 2-22
Grau de proteção IP	IP X5 (Proteção contra jatos de água de todas as direções)
Peso	2,1 kg (4,63 lb)
Pressão nominal	40 bar \pm 3 bar (580 psi \pm 44 psi)
Pressão permitida	6 MPa (870 psi)
Ligação para a mangueira da água	Mangueira de água 1/2"/acoplamento
Temperatura de alimentação máxima	40 °C (104,0 °F)
Pressão de alimentação máxima	0,6 MPa (87 psi)
Taxa de fluxo nominal (água)	2,2 ℓ/min (0,58 liq. gal _{US} /min)
Taxa de fluxo máxima (água)	4,5 ℓ/min (1,19 liq. gal _{US} /min)
Altura máxima de sucção (só com a mangueira totalmente cheia)	4 m (13 ft - 1 in)
Temperatura ambiente durante o funcionamento	0 °C ... 60 °C (32,0 °F ... 140,0 °F)
Temperatura de armazenamento	-20 °C ... 70 °C (-4,0 °F ... 158,0 °F)

4.2 Bateria

Tensão de serviço da bateria	21,6 V
Peso da bateria	Consultar o fim deste manual de instruções
Temperatura ambiente durante o funcionamento	-17 °C ... 60 °C (1,4 °F ... 140,0 °F)
Temperatura de armazenagem	-20 °C ... 40 °C (-4,0 °F ... 104,0 °F)
Temperatura da bateria no início do carregamento	-10 °C ... 45 °C (14,0 °F ... 113,0 °F)



5 Preparação do local de trabalho

AVISO

Risco de ferimentos devido a arranque involuntário!

- ▶ Antes de encaixar a bateria, certifique-se de que o produto correspondente está desligado.
- ▶ Remova a bateria, antes de efectuar ajustes na ferramenta ou substituir acessórios.

Tenha em atenção as instruções de segurança e as advertências nesta documentação e no produto.

5.1 Carregar a bateria

1. Antes de carregar, leia o manual de instruções do carregador.
2. Certifique-se de que os contactos da bateria e do carregador estão limpos e secos.
3. Carregue a bateria num carregador aprovado. → Página 43

5.2 Colocar a bateria

AVISO

Risco de ferimentos devido a curto-circuito ou queda da bateria!

- ▶ Antes de encaixar a bateria, certifique-se de que os contactos da bateria e os contactos no produto estão livres de corpos estranhos.
- ▶ Certifique-se de que a bateria engata sempre correctamente.

1. A bateria deve ser completamente carregada antes da primeira utilização.
2. Introduza a bateria no produto até engatar de forma audível.
3. Verifique se a bateria está correctamente encaixada.

5.3 Retirar a bateria

1. Pressione o botão de destravamento da bateria.
2. Puxe a bateria para fora do produto.

5.4 Montar o produto

Todos os módulos (bico pulverizador, lança pulverizadora, recipiente de produto de limpeza) têm um mecanismo de travamento universal. O modo de procedimento descrito aplica-se a todos os módulos do mesmo tipo de ligação.

1. Insira o módulo no suporte de montagem.
2. Rode o módulo, no sentido dos ponteiros do relógio, para o travamento.
3. Fixe o módulo com a porca de capa.

5.4.1 Ligar o abastecimento de água através da canalização de água

ATENÇÃO

Danos materiais devido a desconector montado incorrectamente. Um desconector montado no aparelho pode dar origem a danos na lavadora de alta pressão.

- ▶ Monte o desconector do sistema sempre na torneira da água.

1. Monte um desconector à ligação da água.
2. Monte um acoplamento da mangueira de sucção ao desconector.
3. Monte o outro acoplamento da mangueira de sucção na lavadora de alta pressão.
4. Abra a entrada de água do abastecimento de água.

5.4.2 Ligar o abastecimento de água através de recipientes abertos

Pode utilizar qualquer tipo de recipiente aberto para o abastecimento de água. Certifique-se de que não existem outros líquidos nem água suja no recipiente aberto. No caso do abastecimento de água por recipientes abertos, utilize sempre um filtro de sucção. Deste modo, evita a sucção de objectos estranhos e a danificação do produto.

1. Monte o acoplamento da mangueira de sucção fornecida no acoplamento (ligação da água) do produto.
2. Monte um filtro de sucção no acoplamento livre da mangueira de sucção.
3. Coloque a mangueira de sucção com o filtro de sucção montado num recipiente de água aberto.



5.5 Ligar/desligar travamento 4

1. Empurre o travamento do interruptor on/off para a direita.
 - ▶ O interruptor on/off está bloqueado e não pode ser accionado inadvertidamente.
2. Empurre o travamento do interruptor on/off para a esquerda.
 - ▶ O interruptor on/off deixa-se accionar.

5.6 Montar o recipiente do produto de limpeza (acessório) 5

1. Desmonte o bico pulverizador da lança pulverizadora.
2. Monte o recipiente de produto de limpeza na lança pulverizadora.
3. Regule a quantidade de produto de limpeza a utilizar na roda de dosagem.
 - ▶ Rode a roda de dosagem para a esquerda para mais produto de limpeza.
 - ▶ Rode a roda de dosagem para a direita para menos produto de limpeza.

5.7 Protecção anti-queda



AVISO

Risco de ferimentos devido a queda de ferramentas e/ou acessórios!

- ▶ Utilize apenas o cabo de segurança para ferramentas **Hilti** recomendado para o seu produto.
- ▶ Antes de cada utilização, verifique o ponto de fixação do cabo de segurança para ferramentas quanto a possíveis danos.



Observe as directivas nacionais para trabalhos em altura.

Utilize exclusivamente o cabo de segurança para ferramentas **Hilti** #2261971 como protecção anti-queda para este produto.

- ▶ Fixe o cabo de segurança para ferramentas ao produto com o laço como ilustrado na imagem. Verifique se está bem apertado.
- ▶ Fixe o mosquetão a uma estrutura de suporte. Verifique se o mosquetão está bem apertado.



Observe o manual de instruções do cabo de segurança para ferramentas **Hilti**.

6 Utilização

6.1 Notas para o funcionamento seguro

Antes de cada utilização, verifique se o produto forma pressão no período de, no máximo, 2 minutos. Evite o funcionamento em seco do produto. O produto pode sofrer danos devido ao funcionamento em seco durante um determinado período de tempo.

Escolha sempre o modo de funcionamento adequado ao grau de sujidade e à sensibilidade da superfície. Uma pressão da água demasiado alta pode provocar danos nas superfícies. Evite um ajuste de pressão demasiado alto (↘) e distâncias inferiores a 30 cm, p. ex., no caso de superfícies pintadas, superfícies de madeira sensíveis ou pneus.

A sucção automática só funciona até uma altura de 1,2 metros. Certifique-se de que a mangueira de sucção está cheia com água antes de trabalhar a uma altura superior a 1,2 metros.



6.2 Ligar ou desligar o produto

Ligar produto

1. Pressione e mantenha pressionado o interruptor on/off.
 - ▶ A bomba arranca e sai um jacto de água.



- Respeite a altura de sucção máxima quando instalar o fornecimento de água. A sucção automática da bomba funciona até uma diferença de alturas máxima de 1,2 m.
- Se, após 2 minutos, o produto não tiver formado pressão, desligue-o e procure por causas e soluções → Página 50.

2. Efectue os trabalhos de limpeza.

Desligar produto

3. Solte o interruptor on/off.
 - ▶ A bomba e a entrada de água são paradas.



- Se guardar o produto a temperaturas perto ou abaixo do ponto de congelação, remova todos os resíduos de água do produto e dos tubos de alimentação.

7 Conservação e manutenção

AVISO

Risco de lesão com a bateria encaixada !

- ▶ Retire sempre a bateria antes de todos os trabalhos de conservação e manutenção!

Conservação do produto

- Remova sujidade persistente com cuidado.
- Se existente, limpe as saídas de ar cuidadosamente com uma escova seca e macia.
- Limpe a carcaça apenas com um pano ligeiramente húmido. Não utilize produtos de conservação que contenham silicone, uma vez que estes podem danificar os componentes de plástico.
- Utilize um pano limpo e seco, para limpar os contactos do produto.

Conservação das baterias de iões de lítio

- Nunca utilize uma bateria com as saídas de ar obstruídas. Limpe as saídas de ar cuidadosamente com uma escova seca e macia.
- Evite que a bateria seja exposta desnecessariamente a pó ou sujidade. Nunca exponha a bateria a humidade elevada (por ex., mergulhar em água ou deixar à chuva).
Se uma bateria tiver ficado encharcada, trate-a como uma bateria danificada. Isole-a num recipiente não inflamável e contacte o Centro de Assistência Técnica **Hilti**.
- Mantenha a bateria sem resíduos de óleo e massa consistente externos. Não permita que se acumule desnecessariamente pó ou sujidade sobre a bateria. Limpe a bateria com uma escova seca e macia ou um pano limpo e seco. Não utilize produtos de conservação que contenham silicone, uma vez que estes podem danificar os componentes de plástico.
Não toque nos contactos da bateria nem remova dos contactos a massa consistente aplicada de fábrica.
- Limpe a carcaça apenas com um pano ligeiramente húmido. Não utilize produtos de conservação que contenham silicone, uma vez que estes podem danificar os componentes de plástico.

Manutenção

- Verifique, regularmente, todos os componentes visíveis quanto a danos e os comandos operativos quanto a funcionamento perfeito.
- Não opere o produto se existirem danos e/ou perturbações de funcionamento. Mandar reparar o produto imediatamente no Centro de Assistência Técnica **Hilti**.
- Após os trabalhos de conservação e manutenção, aplique todos os dispositivos de protecção e verifique se funcionam correctamente.



Para um funcionamento seguro, utilize apenas peças sobresselentes e consumíveis originais. Poderá encontrar peças sobresselentes, consumíveis e acessórios aprovados pela **Hilti** para o seu produto na sua **Hilti Store** ou em: www.hilti.group



7.1 Limpar o filtro de sucção

1. Desmonte o filtro de sucção da mangueira de sucção.
2. Rode o acoplamento do filtro de sucção.
3. Retire o anel vedante do filtro de sucção.
4. Afaste as nervuras de retenção.
5. Retire o crivo do filtro de sucção.
6. Limpe todos os componentes individuais sob água corrente.
7. Limpe o crivo e o interior do filtro de sucção com uma escova pequena.
8. Monte o filtro de sucção.
9. Monte o filtro de sucção na mangueira de sucção.

7.2 Limpar o filtro de água

1. Desmonte o acoplamento da ligação da água da lavadora de alta pressão.



Se necessário, solte o acoplamento da ligação da água com uma chave de bocas.

2. Retire o filtro de água do acoplamento da ligação da água.
3. Limpe todos os componentes individuais sob água corrente.
4. Coloque o filtro de água no acoplamento da ligação da água.
5. Monte o acoplamento da ligação da água na lavadora de alta pressão.

7.3 Limpar o bico pulverizador



Limpe o bico pulverizador com um objecto pontudo como, p. ex., um clipe dobrado.

1. Desmonte o bico pulverizador da lança pulverizadora.
2. Introduza o objecto pontudo no bico pulverizador.
3. Mova o objecto pontudo de um lado para o outro até se tornar fácil movê-lo.
4. Monte o bico pulverizador na lança pulverizadora.

8 Transporte e armazenamento de ferramentas a bateria e baterias

Transporte



CUIDADO

Arranque inadvertido durante o transporte !

- ▶ Transporte os seus produtos sempre sem as baterias colocadas!
- ▶ Retire a/as bateria(s).
- ▶ Nunca transporte as baterias sem embalagem. Durante o transporte, as baterias devem ser protegidas contra impactos e vibrações excessivos e isoladas de quaisquer materiais condutores ou outras baterias, para que não entrem em contacto com os pólos de outras baterias e causem um curto-circuito. **Observe as suas normas de transporte locais para baterias.**
- ▶ As baterias não devem ser enviadas por correio. Quando pretender enviar baterias não danificadas, contacte uma empresa transportadora.
- ▶ Verifique o produto e as baterias quanto a danos antes de cada utilização, bem como antes e depois de longos períodos de transporte.

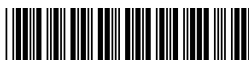
Armazenamento



AVISO

Dano accidental devido a baterias com defeito ou a perderem líquido !

- ▶ Armazene os seus produtos sempre sem as baterias colocadas!
- ▶ Guarde o produto e as baterias em lugar fresco e seco. Tenha em atenção os valores limite de temperatura, que estão indicados nas Características técnicas.
- ▶ Não guarde as baterias no carregador. Após o processo de carregamento, retire sempre a bateria do carregador.



- ▶ Nunca armazene as baterias em locais sujeitos a exposição solar, em cima de fontes de calor ou por trás de um vidro.
- ▶ Guarde o produto e as baterias fora do alcance das crianças e das pessoas não autorizadas.
- ▶ Verifique o produto e as baterias quanto a danos antes de cada utilização, bem como antes e depois de longos períodos de armazenamento.

9 Ajuda em caso de avarias

Sempre que ocorra uma avaria, observe a indicação de estado da bateria. Consultar capítulo **Indicações da bateria de íões de lítio**.

No caso de avarias que não sejam mencionadas nesta tabela ou se não conseguir resolvê-las por si mesmo, contacte o nosso Centro de Assistência Técnica **Hilti**.

9.1 Tabela de avarias e ajuda

Avaria	Causa possível	Solução
Os LEDs da bateria não indicam nada	Bateria avariada.	▶ Dirija-se ao Centro de Assistência Técnica Hilti .
O motor não arranca	Congelamento	▶ Deixe descongelar a bomba, a mangueira ou os acessórios.
O motor trabalha, mas não existe pressão	Bico pulverizador obstruído	▶ Limpe o bico pulverizador.
Pressão pulsante	Ar na mangueira ou na bomba	▶ Deixe a lavadora de alta pressão a trabalhar com a torneira da água aberta até ser alcançada uma pressão de trabalho uniforme.
	Abastecimento de água incorrecto	▶ Verifique se a ligação da água corresponde às especificações nos dados técnicos e fornece suficiente água. As mangueiras mais pequenas que podem ser utilizadas são de 1/2" ou ø 13 mm.
	Filtro de água ou filtro de sucção obstruído	▶ Limpe filtro de água e/ou filtro de sucção.
	Mangueira de sucção dobrada ou esmagada	▶ Posicione a mangueira de sucção a direito.
Pressão uniformemente demasiado (Nota: determinados acessórios podem diminuir a pressão)	Bico pulverizador gasto	▶ Substitua o bico pulverizador.
O motor trabalha, mas a pressão está limitada ou não existe pressão de trabalho	Água não ligada	▶ Ligue a água.
	Filtro de água ou filtro de sucção obstruído	▶ Limpe filtro de água e/ou filtro de sucção.
	Bico pulverizador obstruído	▶ Limpe o bico pulverizador.

10 Reciclagem




AVISO

Perigo de ferimentos devido a eliminação incorrecta! Riscos para a saúde devido à fuga de gases ou líquidos.

- ▶ Não envie quaisquer baterias danificadas!
- ▶ Para evitar curto-circuitos, cubra as conexões com um material não condutor.
- ▶ Elimine as baterias de modo a mantê-las longe do alcance das crianças.
- ▶ Efectue a reciclagem da bateria na sua **Hilti Store** ou entre em contacto com a empresa de recolha de lixo responsável.



 Os produtos **Hilti** são, em grande parte, fabricados com materiais recicláveis. Um pré-requisito para a reciclagem é que esses materiais sejam devidamente separados. Em muitos países, a **Hilti** aceita o seu aparelho usado para reaproveitamento. Para mais informações, dirija-se ao Serviço de Clientes **Hilti** ou ao seu vendedor.



-
- ▶ Não deite as ferramentas eléctricas, aparelhos electrónicos e baterias no lixo doméstico!
-

11 Garantia do fabricante

- ▶ Se tiver dúvidas em relação às condições de garantia, contacte o seu parceiro **Hilti** local.

12 Mais informações

Pode consultar informações mais pormenorizadas sobre Utilização, Tecnologia, Meio ambiente e Reciclagem na seguinte hiperligação: qr.hilti.com/manual/?id=2404923

Também pode encontrar esta hiperligação no final do manual de instruções sob a forma de código QR.





 **NURON**



B 22-55 (01)	0,56 kg	1.23 lb
B 22-85 (01)	0,77 kg	1.70 lb
B 22-110 (01)	0,92 kg	2.03 lb
B 22-170 (01)	1,34 kg	2.95 lb
B 22-255 (01)	1,87 kg	4.12 lb

C 4-22
C 6-22
C 8-22





Hilti Corporation
LI-9494 Schaan
Tel.:+423 234 21 11
Fax:+423 234 29 65
www.hilti.group



2404923