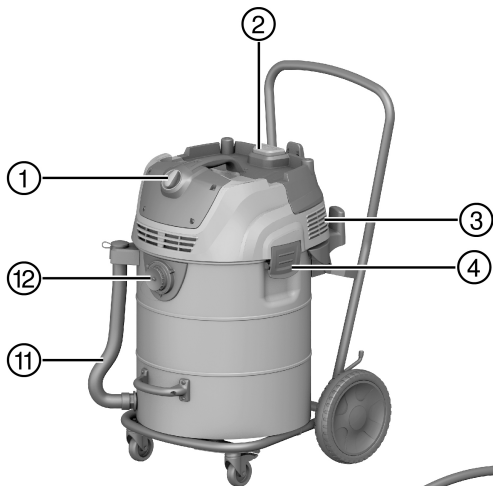


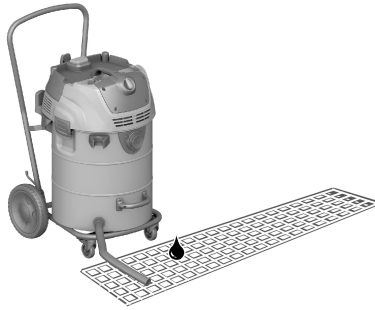


VC 300-20-W

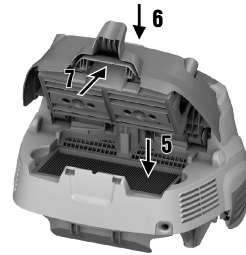
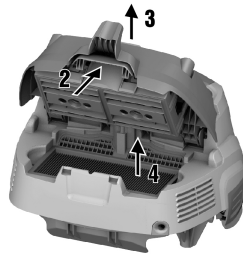
English	1
Français	11
Español	22
Português	33



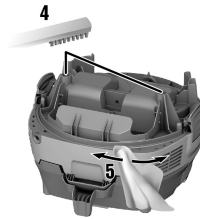
2



3



4



VC 300-20-W

en	Original operating instructions	1
fr	Notice d'utilisation originale	11
es	Manual de instrucciones original	22
pt	Manual de instruções original	33

Original operating instructions

1 Information about the documentation

1.1 About this documentation

- Read this documentation before initial operation or use. This is a prerequisite for safe, trouble-free handling and use of the product.
- Observe the safety instructions and warnings in this documentation and on the product.
- Always keep the operating instructions with the product and make sure that the operating instructions are with the product when it is given to other persons.

1.2 Explanation of symbols

1.2.1 Warnings

Warnings alert persons to hazards that occur when handling or using the product. The following signal words are used:

DANGER

DANGER !

- ▶ Draws attention to imminent danger that will lead to serious personal injury or fatality.

WARNING

WARNING !

- ▶ Draws attention to a potential threat of danger that can lead to serious injury or fatality.

CAUTION

CAUTION !

- ▶ Draws attention to a potentially dangerous situation that could lead to personal injury or damage to the equipment or other property.

1.2.2 Symbols in the documentation

The following symbols are used in this documentation:

	Read the operating instructions before use
	Instructions for use and other useful information

1.2.3 Symbols in the illustrations

The following symbols are used in illustrations:

	These numbers refer to the corresponding illustrations found at the beginning of these operating instructions
	The numbering reflects the sequence of operations shown in the illustrations and may deviate from the steps described in the text
	Item reference numbers are used in the overview illustrations and refer to the numbers used in the product overview section
	These characters are intended to specifically draw your attention to certain points when handling the product.

1.3 Product-dependent symbols

1.3.1 Symbols on the product

The following symbols are used on the product:

	Warning: hot surface
--	----------------------





Transport by crane is not permissible.

1.4 Product information

Hilti products are designed for professional users and only trained, authorized personnel are permitted to operate, service and maintain the products. This personnel must be informed of any particular hazards that may be encountered. The product and its ancillary equipment can present hazards if used incorrectly by untrained personnel or if used not in accordance with the intended use.

The type designation and serial number are printed on the rating plate.

- ▶ Write down the serial number in the table below. You will be required to state the product details when contacting Hilti Service or your local Hilti organization to inquire about the product.

Product information

Wet-type vacuum cleaner	VC 300-20-W
Generation	02
Serial no.	

2 Safety

2.1 Important safety instructions

WARNING! READ ALL INSTRUCTIONS BEFORE USING THIS APPLIANCE. Failure to follow all the instructions listed below may result in electric shock, fire and/or serious injury. KEEP THESE INSTRUCTIONS IN A SAFE PLACE.

2.2 General safety instructions

In addition to the safety instructions given in the various sections of these operating instructions, the following points must be strictly observed at all times.

- ▶ **Read all the instructions.** Failure to follow all the instructions listed below may result in electric shock, fire and/or serious injury.
- ▶ **If the appliance is used in conjunction with an electric tool, read and follow the operating instructions for the electric tool and all the warnings.**
- ▶ **Modification of the appliance is not permitted.**
- ▶ **Use the right appliance for the job. Do not use the appliance for purposes for which it was not intended. Use it only as directed and when in faultless condition.**
- ▶ **Before beginning work with the appliance, find out how to operate it correctly and about any hazards associated with the materials it will be picking up and how these materials can be disposed of.**
- ▶ **Take the influences of the surrounding area into account. Do not use the appliance where there is a risk of fire or explosion.**
- ▶ **The appliance may only be used by persons who are familiar with it, have been trained on how to use it safely and who understand the resulting hazards. The appliance is not intended for use by children. Children must be supervised in order to ensure that they don't play with the appliance.**
- ▶ **Store appliances in a secure place when not in use. When not in use, appliances must be stored in a dry, high place or locked away out of reach of children.**

2.3 Personal safety

- ▶ **Stay alert, watch what you are doing and use common sense when working with the product. Do not use the vacuum cleaner while you are tired or under the influence of drugs, alcohol or medication.** A moment of inattention while operating the appliance may result in serious personal injury.
- ▶ **The user and any other persons in the vicinity must wear suitable eye protection, a hard hat, ear protection, protective gloves, safety footwear and breathing protection while the appliance is in use or while maintenance work on it is being carried out.**
- ▶ **Engage the wheel brakes so that the vacuum cleaner stands securely.** If the wheel brakes are disengaged the vacuum cleaner may run away out of control.
- ▶ **If devices are provided for the connection of dust extraction and collection facilities, ensure these are connected and properly used.** Use of a vacuum cleaner can reduce dust-related hazards.



2.4 Careful handling and use of the product

- ▶ **Never leave the product unattended.**
- ▶ **Protect the product from frost.**
- ▶ **Clean the water level limiting device regularly with a brush, in accordance with the instructions, and check it for signs of damage.**
- ▶ **When fitting the suction head on to the vacuum cleaner, take care to avoid pinching your fingers or damaging the supply cord.** This presents a risk of injury or damage.
- ▶ **Check the product and its accessories for any damage. Guards, safety devices and any slightly damaged parts must be checked carefully to ensure that they function faultlessly and as intended. Check that moving parts function faultlessly, without sticking, and that no parts are damaged. All parts must be fitted correctly and fulfill all conditions necessary for correct operation of the product.**
- ▶ **Have your product repaired only by qualified, skilled personnel, using only genuine Hilti spare parts.** The safety of the product can thus be maintained.
- ▶ **Always unplug the supply cord from the power outlet when the product is not in use (during breaks), before cleaning and maintenance and before changing accessories or replacing the filter.** This precaution reduces the risk of the product starting accidentally.
- ▶ **Never pull the vacuum cleaner by the supply cord to a new working position. Do not run the wheels of the vacuum cleaner over the supply cord.**
- ▶ **Do not transport the product by crane.**
- ▶ **Do not deactivate the filter cleaning system when vacuuming up hazardous dusts, especially when the appliance is used in combination with power tools that generate dust.**
- ▶ **Never leave the product unattended.**
- ▶ **Do not deactivate the filter cleaning system when vacuuming up hazardous dusts, especially when the appliance is used in combination with power tools that generate dust.**
- ▶ **Protect the product from frost.**
- ▶ **Clean the water level limiting device regularly with a brush, in accordance with the instructions, and check it for signs of damage.**
- ▶ **When fitting the suction head on to the vacuum cleaner, take care to avoid pinching your fingers or damaging the supply cord.** This presents a risk of injury or damage.
- ▶ **Check the product and its accessories for any damage. Guards, safety devices and any slightly damaged parts must be checked carefully to ensure that they function faultlessly and as intended. Check that moving parts function faultlessly, without sticking, and that no parts are damaged. All parts must be fitted correctly and fulfill all conditions necessary for correct operation of the product.**
- ▶ **Have your product repaired only by qualified, skilled personnel, using only genuine Hilti spare parts.** The safety of the product can thus be maintained.
- ▶ **Always unplug the supply cord from the power outlet when the product is not in use (during breaks), before cleaning and maintenance and before changing accessories or replacing the filter.** This precaution reduces the risk of the product starting accidentally.
- ▶ **Never pull the vacuum cleaner by the supply cord to a new working position. Do not run the wheels of the vacuum cleaner over the supply cord.**

2.5 Electrical safety

- ▶ **The plug on the supply cord of the appliance must match the outlet. Do not change the plug in any way. Do not use adapter plugs with earthed (grounded) appliances.** Unmodified plugs and matching outlets reduce risk of electric shock.
- ▶ **Insert the plug in a suitable earthed/grounded power outlet which has been correctly and safely installed and is in compliance with local regulations. If you are in doubt about the effectiveness of the power outlet's earth/ground connection, have it checked by a qualified specialist.**
- ▶ **Avoid body contact with earthed / grounded surfaces such as pipes, radiators, cookers, stoves and refrigerators.** There is an increased risk of electric shock if your body is grounded.
- ▶ **Do not expose the appliance to rain or wet conditions.** Water entering an electric appliance will increase the risk of electric shock.
- ▶ **Check to ensure that the supply cord does not lie in a puddle of water.**
- ▶ **Check the appliance's supply cord at regular intervals and have it replaced by Hilti Service if damage is found. Check extension cords at regular intervals and replace them if found to be damaged.**



- ▶ **Do not touch the supply cord or extension cord if they are damaged while working. Disconnect the supply cord plug from the power outlet.** Damaged supply cords or extension cords present a risk of electric shock.
- ▶ The electric supply cord may be replaced only with a cord of the type specified in the operating instructions.
- ▶ **Do not abuse the cord. Never use the cord for carrying, pulling or unplugging the appliance. Keep the cord away from heat, oil, sharp edges or moving parts.** Damaged or entangled cords increase the risk of electric shock.
- ▶ **When operating an electric appliance outdoors, use only extension cords of a type suitable for outdoor use.** Use of an extension cord suitable for outdoor use reduces the risk of electric shock.
- ▶ **In the event of an interruption in the electric supply, switch the appliance off and unplug it from the power outlet.**
- ▶ **Never operate the appliance when it is dirty or wet.** Dust (especially dust from conductive materials) or dampness adhering to the surface of the appliance may, under unfavorable conditions, lead to electric shock. **Dirty or dusty appliances should thus be checked by Hilti Service at regular intervals, especially if used frequently for working on conductive materials.**

2.6 Workplace

- ▶ **Ensure that the workplace is well lit.**
- ▶ **Ensure that the workplace is well ventilated.** Exposure to dust at a poorly ventilated workplace may result in damage to the health.
- ▶ **Keep the workplace tidy. Objects which could cause injury should be removed from the working area.** Untidiness at the workplace can lead to accidents.
- ▶ **Do not operate the appliance in explosive atmospheres, such as in the presence of flammable liquids, gases or dust.** Electric appliances cause sparks which may ignite the dust or fumes.
- ▶ **Use extra care when working on stairs.**

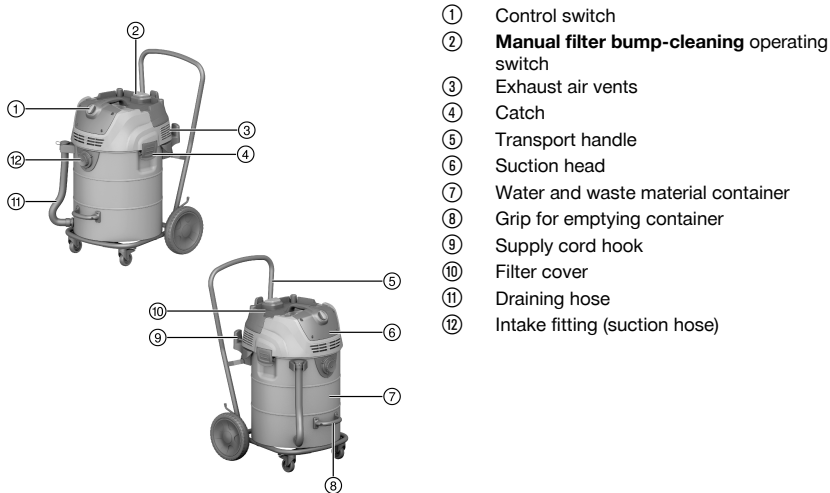
2.7 The material vacuumed up

- ▶ **Do not use the appliance to vacuum up flammable or explosive dusts (magnesium or aluminum dust etc.) or dusts that present a health hazard. Do not use the appliance to vacuum up materials hotter than 60 °C (140 °F), (e.g. glowing cigarette ends, hot ash).**
- ▶ Before starting work, always check the hazard class of harmful dust that can be produced in working operations. Materials harmful to health such as asbestos and lead are explicitly **not** included in the intended use of the product and working with them is not permitted → page 5. If you work with materials containing lead or asbestos nevertheless, the manufacturer's warranty for your product is voided.
- ▶ Dust produced by grinding, sanding, cutting and drilling can contain dangerous chemicals. Some examples are: lead or lead-based paints; brick, concrete and other masonry products, natural stone and other products containing quartz; certain types of wood, such as oak, beech and chemically treated wood; asbestos or materials that contain asbestos. Determine the exposure of the operator and bystanders by means of the hazard classification of the materials to be worked. Implement the necessary measures to restrict exposure to a safe level, for example by the use of a dust collection system or by the wearing of suitable respiratory protection. The general measures for reducing exposure include:
 - ▶ working in an area that is well ventilated,
 - ▶ avoidance of prolonged contact with dust,
 - ▶ directing dust away from the face and body,
 - ▶ wearing protective clothing and washing exposed areas of the skin with water and soap.
- ▶ **Do not use the appliance to vacuum up flammable, explosive or aggressive liquids (coolants and lubricants, gasoline, solvents, acids (pH < 5), alkalies (pH > 12.5), etc.).**
- ▶ **Switch the appliance off immediately if foam or liquids escape from it.**
- ▶ **Wear protective gloves when using the appliance to vacuum up hot materials at temperatures of up to 60 °C (140 °F).**
- ▶ **When working with mineral drilling slurry, wear protective clothing and avoid skin contact with the slurry (pH > 9: caustic).**
- ▶ **Avoid contact with alkaline or acidic liquids. If contact accidentally occurs, rinse with water. In the event of the liquid coming into contact with the eyes, rinse the eyes with plenty of water and consult a physician.**



3 Description

3.1 Product overview



- ① Control switch
- ② **Manual filter bump-cleaning** operating switch
- ③ Exhaust air vents
- ④ Catch
- ⑤ Transport handle
- ⑥ Suction head
- ⑦ Water and waste material container
- ⑧ Grip for emptying container
- ⑨ Supply cord hook
- ⑩ Filter cover
- ⑪ Draining hose
- ⑫ Intake fitting (suction hose)

3.2 Intended use

The product described here is an industrial vacuum cleaner for commercial use. It is designed for wet applications but it can also be used for dry vacuum-cleaning work.

Use of the product to clean down persons or animals is not permissible. Underwater use is not permissible.

- ▶ Before beginning work with the product, find out how to operate it correctly and about any hazards associated with the materials you will be working with and how these materials can be disposed of safely.
- ▶ Do not use the product for continuous, stationary operation in automatic or semi-automatic systems.
- ▶ To reduce the risk of injury, use only genuine **Hilti** accessories and tools.
- ▶ Use an antistatic suction hose in order to avoid electrostatic effects.
- ▶ Do not stand on the product (do not use it as a substitute for a ladder).

The products described here meet the requirements of the OSHA 1926.1153 Regulation, Table 1.

This product is suitable for the following applications in commercial use:

- Vacuum pick-up of mineral drilling slurry with **Hilti** diamond core bits and **Hilti** diamond saws and liquid material up to a temperature < 60 °C (140 °F).
- Vacuum pick-up of oil and liquid media up to a temperature < 60 °C (140 °F).
- Wet and dry vacuum cleaning to remove non-health-hazardous substances from wall and floor surfaces.

3.3 Possible misuse

- Do not operate the industrial vacuum cleaner when it is laid on its side.
- Do not use the industrial vacuum cleaner to vacuum up substances that present a risk of explosion, glowing, burning or flammable substances (e.g. magnesium or aluminum dust) or aggressive dusts (exception: wood shavings).
- Do not use the industrial vacuum cleaner to vacuum up flammable liquids (e.g. gasoline, solvents, coolants and lubricants, etc.).
- Working with materials hazardous to health (e.g. class L, class M, class H dusts and asbestos) is not permissible.

3.4 Items supplied

Industrial vacuum cleaner including filter element, suction hose complete with hose connector, accessory set (floor nozzle), operating instructions



Other system products approved for use with this product can be found at your local **Hilti Store** or at: www.hilti.group

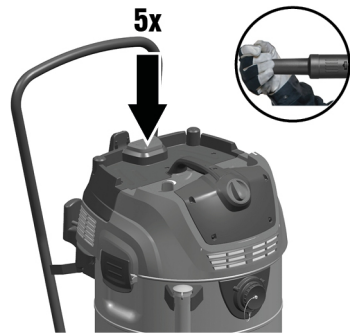
3.5 Control switch

Symbol	Meaning
	Switching on
	Switching off
	Operating switch: Manual filter cleaning

3.6 Using the filter cleaning system

The vacuum cleaner features manual filter cleaning. To obtain maximum suction power, use the filter cleaning system to bump-clean the filter at regular intervals.

1. Close off the end of the hose.
2. Wait until maximum vacuum has built up.
3. Press the operating button 4-5 times in succession.



3.7 Instructions for use

Accessories and how they are used

Accessories	Order number	Type of use
Filter, polyester	2182582	Universal use, wet and dry
Filter, PTFE	2202240	Heavy use, wet and dry
Filter, HEPA	2177708	Wet and dry

4 Technical data

4.1 Product properties

If the appliance is powered by a generator or transformer, the generator or transformer's power output must be at least twice the rated input power shown on the rating plate of the appliance. The operating voltage of the transformer or generator must always be within +5 % and -15 % of the rated voltage of the product.

	VC 300-20-W
Weight	63.1 lb (28.6 kg)
Dimensions (L x W x H)	27.6 in x 19.9 in x 39.0 in (700 mm x 505 mm x 990 mm)
Max. volume flow rate (turbine data)	300 CFM (2x71 l/s)



	VC 300-20-W
Max. vacuum	3.0 psi (20.8 kPa)
Container capacity	20 liq. gal _{US} (75 ℓ)
Water capacity	14 liq. gal _{US} (52 ℓ)
Operating temperature	32 °F ... 104 °F (0 °C ... 40 °C)
Filter cleaning	manual
AC frequency	50 Hz ... 60 Hz
Mains connection (type)	SJTW-A 3×14 AWG
Protection class	I
Protection class	IPX4

5 Using extension cords

WARNING

A damaged supply cord presents a hazard! Do not touch the supply cord or extension cord if damaged while working. Disconnect the supply cord plug from the power outlet.

- ▶ Check the appliance's supply cord at regular intervals and have it replaced by a qualified specialist if found to be damaged.
- Use only extension cords of a type approved for the application and with conductors of adequate gauge (cross section). The power tool may otherwise suffer a drop in performance and the extension cord may overheat.
- Check the extension cord for damage at regular intervals.
- Replace damaged extension cords.
- When working outdoors, use only extension cords that are approved and correspondingly marked for this application.



Information on recommended minimum conductor cross-sections and cable lengths is accessible via a link, in the form of a QR code, at the end of this document.

6 Before use

DANGER

Electrical hazards. Fatal or serious injury may result if the vacuum cleaner is not correctly connected to the electric supply.

- ▶ Connect the vacuum cleaner only to a properly earthed/grounded power source.

CAUTION

Risk of injury presented by the appliance running away out of control. The vacuum cleaner may run away out of control if the wheel brakes are not engaged.

- ▶ Engage the wheel brakes so that the vacuum cleaner stands securely.

6.1 Operating the appliance for the first time

1. Open the two catches.
2. Lift the suction head off the waste material container.
3. Remove the accessories and packaging from the waste material container.
4. Set the suction head on the waste material container and close the two catches.
5. Check to ensure that the vacuum cleaner top section is fitted correctly and secured.
6. Connect the suction hose to the appliance.



7 Operation

WARNING

Risk of injury. Damage to the filter system may allow harmful dust (health hazard) to escape.

- ▶ In an emergency (e.g. filter ruptured), switch the vacuum cleaner off, unplug the supply cord from the power outlet and have the vacuum cleaner checked by a trained and qualified person before further use.

CAUTION

Risk of injury presented by the appliance running away out of control. The vacuum cleaner may run away out of control if the wheel brakes are not engaged.

- ▶ Engage the wheel brakes so that the vacuum cleaner stands securely.

7.1 Vacuuming up dry dust



After wet applications, remove the filter element and replace it with a dry or a new element.

CAUTION

Risk of injury by dusts that are hazardous to health! Hazardous material that has been vacuumed up can escape if a filter element is not used.

- ▶ Use the vacuum cleaner only with a filter element installed.
1. Check that the filter element is dry; replace it if necessary.
 2. For vacuuming, set the control switch to the **I** position.

7.2 Picking up liquids

CAUTION

Risk of injury by dusts that are hazardous to health! Hazardous material that has been vacuumed up can escape if a filter element is not used.

- ▶ Use the vacuum cleaner only with a filter element installed.



In preparation for subsequent dry applications, remove the filter element and replace it with a dry or a new element.

1. Check the container level monitoring system. → page 9
2. If possible, use a separate filter element for wet applications.
3. After picking up liquids, open the two catches.
4. Lift the vacuum cleaner top section away from the waste material container and place it on a level surface so that the filter element can dry.
5. Empty the waste material container and use a water hose to rinse it out. Use a brush to clean the electrodes and clean the filter element, after allowing it to dry, by wiping it off with your hand.
6. Allow the waste material container to dry.

7.3 After vacuuming

1. Switch the product off by setting the control switch to the **0** position.
2. Disconnect the supply cord plug from the power outlet.
3. Coil up the supply cord and hang it on the hook.
4. Empty the container and clean the appliance by wiping it with a damp cloth.
5. Coil up the suction hose.
6. Store the vacuum cleaner in a secure, dry place where it is inaccessible to unauthorized users.

7.4 Emptying dry dust from the waste material container

1. Disconnect the supply cord plug from the power outlet.
2. Lift the suction head off the waste material container and place it on a level surface.



3. Hold the waste material container by the grips provided for the purpose and empty it by tipping out the contents.
4. Set the suction head on the waste material container and close the two catches.

7.5 Emptying the waste material container when no dust bag is fitted (vacuuming up liquids)



Observe local regulations regarding the treatment of waste water.

1. Disconnect the supply cord plug from the power outlet.
2. Remove the cap from the draining hose.
3. Take the draining hose out of the holder.
4. Lay the draining hose on the ground or floor.
 - ▶ The waste water drains away.
5. Lift the suction head off the waste material container and place it on a level surface.
6. Hold the waste material container by the grips provided for the purpose and empty it by tipping out the contents.
7. Clean the edge of the waste material container with a cloth.
8. Set the suction head on the waste material container and close the two catches.

8 Care and maintenance

8.1 Care and maintenance of the appliance



WARNING

Electric shock hazard! Improper repairs to electrical parts can lead to serious injuries due to electric shock.

- ▶ Electrical parts may be repaired only by trained electrical specialists.
-
- ▶ Keep the appliance, especially its grip surfaces, clean and free from oil and grease. Do not use cleaning agents containing silicone.
 - ▶ Never operate the vacuum cleaner when the air vents are blocked. Clean the air vents carefully using a dry brush. Do not permit foreign objects to enter the interior of the appliance.
 - ▶ Clean the outer surfaces of the appliance with a slightly damp cloth at regular intervals. Do not use a spray system, pressure jet washer or running water for cleaning as this may negatively affect the electrical safety of the appliance.

8.2 Fitting/changing the filter element

1. Disconnect the supply cord plug from the power outlet.
2. Open the filter cover catches.
3. Open the filter cover.
4. Carefully remove the filter element, gripping it at the areas provided in the holder.
5. Clean the sealing surface with a cloth.
6. Fit the new filter element.
7. Close the filter cover by flipping the cover catch forward.
8. Close the filter cover catch.

8.3 Checking the container level monitoring system

1. Engage the wheel brakes so that the vacuum cleaner stands securely.
2. Disconnect the supply cord plug from the power outlet.
3. Open the two catches.
4. Lift the suction head off the waste material container and place it on a level surface.
5. Check the cut-out contacts and clean them with a brush if necessary (if dirty).
6. Check the seal at the vacuum cleaner top section and clean it with a cloth if necessary.
7. Check operation of the float switch by lifting the float switch up.
 - ▶ The movement of the ball inside the float switch must be clearly perceptible.
8. Set the suction head on the waste material container and close the two catches.



8.4 Checks after cleaning and maintenance

1. After cleaning or carrying out maintenance, check that the vacuum cleaner is assembled correctly and that it functions faultlessly.
2. Test each of the functions.

9 Transport and storage

9.1 Transport

Do not carry the vacuum cleaner when the waste material container is full.

Do not attempt to crane-lift the vacuum cleaner.

- ▶ Remove the power conditioner and all loose accessory tools from the cradle.
- ▶ Empty the vacuum cleaner before the vacuum cleaner is to be carried to another location.
- ▶ After using it to vacuum up liquids, do not tilt the vacuum cleaner and transport the vacuum cleaner in the upright position only.
- ▶ Use the tapered adapter to connect both ends of the hose together conveniently for transport.

9.2 Storage

- ▶ Store the vacuum cleaner in a secure, dry place where it is inaccessible to unauthorized users.

10 Troubleshooting

If the trouble you are experiencing is not listed in this table or you are unable to remedy the problem by yourself, please contact **Hilti Service**.

10.1 Troubleshooting table

Malfunction	Possible cause	Action to be taken
The vacuum turbine doesn't start.	No electric power.	▶ Check the power outlet and fuse.
	The sensors are clogged with dirt.	▶ Check the container level monitoring system. → page 9
The vacuum turbine switches itself off.	The container is full.	▶ Empty the container.
The vacuum turbine doesn't start after cleaning the waste material container.	The automatic cut-out is active.	▶ Set the control switch to the 0 position. ▶ Wait 5 seconds. ▶ Set the control switch to the 1 position.
	The sensors are clogged with dirt.	▶ Check the container level monitoring system. → page 9
Suction power drops.	The suction nozzle, tube, hose or the filter are blocked.	▶ Remove the blockage.
	The filter is clogged.	▶ Perform manual bump-cleaning of the filter. ▶ Replace the filter elements.
	Remove the filter cover.	▶ Close the filter cover.
	Drain hose leaking	▶ Check the drain hose for leaks.
Dust is blown out of the appliance.	The filter is fitted incorrectly.	▶ Check that the main filter is correctly installed.
The appliance switches itself off or on inadvertently or static electricity discharges through the user.	Electrostatic charge is not conducted away – the appliance is connected to an unearthed/ungrounded power outlet.	▶ Connect the appliance to an earthed/grounded power outlet and use an antistatic suction hose.



Malfunction	Possible cause	Action to be taken
The appliance doesn't start or switches itself off after a short time.	The water level cut-out is activated.	▶ Clean the sensors and the area around the sensors with a brush.
The motor doesn't restart.	The mains circuit breaker has been tripped.	▶ Reset the circuit breaker. ▶ Find the reason for the overload current if the circuit breaker trips again.
	Waste material container full of liquid.	▶ Switch the appliance off and empty the waste material container.

11 Disposal

Most of the materials from which **Hilti** products are manufactured can be recycled. The materials must be correctly separated before they can be recycled. In many countries, your old tools, machines or appliances can be returned to **Hilti** for recycling. Ask **Hilti** Service or your Hilti representative for further information.

Drilling slurry

Disposal of drilling slurry directly into rivers, lakes or the sewerage system without suitable pretreatment presents environmental problems.

- ▶ Ask the local public authorities for information about current regulations.

We recommend the following pretreatment:

- ▶ Collect the drilling slurry (for example, using a wet-type vacuum cleaner).
- ▶ Allow the drilling slurry to settle and dispose of the solid material at a construction waste disposal site (addition of a flocculent may accelerate the settling process).
- ▶ The remaining water (alkaline, pH value greater than 7) must be neutralized by the addition of an acidic neutralizing agent or diluted with a large volume of water before it is allowed to flow into the sewerage system.

Drilling dust

- ▶ Dispose of the drilling dust collected by the vacuum cleaner in accordance with the applicable national regulations.

12 Manufacturer's warranty

- ▶ Please contact your local **Hilti** representative if you have questions about the warranty conditions.

Notice d'utilisation originale

1 Indications relatives à la documentation

1.1 À propos de cette documentation

- Lire intégralement la présente documentation avant la mise en service. C'est la condition préalablement requise pour assurer la sécurité du travail et un maniement sans perturbations.
- Bien respecter les consignes de sécurité et les avertissements de la présente documentation ainsi que celles figurant sur le produit.
- Toujours conserver le mode d'emploi à proximité du produit et uniquement le transmettre à des tiers avec ce mode d'emploi.

1.2 Explication des symboles

1.2.1 Avertissements

Les avertissements attirent l'attention sur des dangers liés à l'utilisation du produit. Les termes de signalisation suivants sont utilisés :



DANGER

DANGER !

- Pour un danger imminent qui peut entraîner de graves blessures corporelles ou la mort.

AVERTISSEMENT

AVERTISSEMENT !

- Pour un danger potentiel qui peut entraîner de graves blessures corporelles ou la mort.

ATTENTION

ATTENTION !

- Pour une situation potentiellement dangereuse pouvant entraîner des blessures corporelles ou des dégâts matériels.

1.2.2 Symboles dans la documentation

Les symboles suivants sont utilisés dans la présente documentation :

	Lire le mode d'emploi avant d'utiliser l'appareil
	Pour des conseils d'utilisation et autres informations utiles

1.2.3 Symboles dans les illustrations

Les symboles suivants sont utilisés dans les illustrations :

	Ces chiffres renvoient à l'illustration correspondante au début du présent mode d'emploi.
	La numérotation détermine la séquence des étapes de travail dans l'image et peut se différencier de celles des étapes de travail dans le texte.
	Les numéros de position sont utilisés dans l'illustration Vue d'ensemble et renvoient aux numéros des légendes dans la section Vue d'ensemble du produit .
	Ce signe doit inviter à manier le produit en faisant particulièrement attention.

1.3 Symboles spécifiques au produit

1.3.1 Symboles sur le produit

Les symboles suivants sont utilisés sur le produit :

	Avertissement, risque de surfaces chaudes
	Transport par pont roulant ou grue interdit

1.4 Informations produit

Les produits **Hilti** sont destinés aux professionnels et ne doivent être utilisés, entretenus et réparés que par un personnel autorisé et formé. Ce personnel doit être au courant des dangers inhérents à l'utilisation de l'appareil. Le produit et ses accessoires peuvent s'avérer dangereux s'ils sont utilisés de manière incorrecte par un personnel non qualifié ou de manière non conforme à l'usage prévu.

La désignation du modèle et le numéro de série figurent sur sa plaque signalétique.

- Inscrivez le numéro de série dans le tableau suivant. Les informations produit vous seront demandées lorsque vous contactez nos revendeurs ou services après-vente.

Caractéristiques produit

Aspirateur de liquides	VC 300-20-W
Génération	02
N° de série	



2 Sécurité

2.1 Consignes de sécurité importantes

AVERTISSEMENT ! LIRE ATTENTIVEMENT TOUTES LES INDICATIONS. Le non-respect des instructions indiquées ci-après peut entraîner un choc électrique, un incendie et / ou de graves blessures sur les personnes. GARDER PRÉCIEUSEMENT CES INSTRUCTIONS DE SÉCURITÉ.

2.2 Indications générales de sécurité

Outre les consignes techniques de sécurité indiquées dans les différents chapitres du présent mode d'emploi, il y a lieu de toujours respecter strictement les directives suivantes.

- ▶ **Toutes les remarques doivent être lues attentivement !** Le non-respect des remarques suivantes peut entraîner une électrocution, un incendie et/ou des blessures importantes.
- ▶ **Si l'appareil est utilisé avec un outil électroportatif, avant toute utilisation, lire impérativement les instructions du mode d'emploi de l'outil électroportatif et observer toutes les consignes qui y figurent.**
- ▶ **Toute manipulation ou modification de l'appareil est interdite.**
- ▶ **Utiliser l'appareil approprié. Ne pas utiliser l'appareil à des fins non prévues, mais seulement conformément aux spécifications et dans un excellent état.**
- ▶ **Avant la mise en service du produit, s'informer sur son maniement, les dangers engendrés par les matériaux et l'élimination en toute sécurité des matériaux aspirés.**
- ▶ **Prêter attention aux influences de l'environnement de l'espace de travail. Ne pas utiliser l'appareil dans des endroits présentant un danger d'incendie ou d'explosion.**
- ▶ **L'appareil doit uniquement être utilisé par des personnes qui connaissent bien l'appareil, ont été formées quant à son utilisation en toute sécurité et comprennent les dangers qui en résultent. L'appareil n'est pas destiné aux enfants. Surveiller les enfants pour s'assurer qu'ils ne jouent pas avec l'appareil.**
- ▶ **Conserver les appareils non utilisés en toute sécurité. Tous les appareils non utilisés doivent être rangés dans un endroit sec, en hauteur ou fermé à clé, hors de portée des enfants.**

2.3 Sécurité des personnes

- ▶ **Restez vigilant, surveillez ce que vous faites. Faites preuve de bon sens en utilisant le produit. N'utilisez pas l'aspirateur si vous êtes fatigué ou après avoir consommé de l'alcool, des drogues ou avoir pris des médicaments.** Un moment d'inattention lors de l'utilisation de l'appareil peut entraîner de graves blessures.
- ▶ **L'utilisateur et les personnes se trouvant à proximité pendant l'utilisation et l'entretien de l'appareil doivent porter des lunettes de protection adaptées, un casque de protection, un casque antibruit, des gants de protection, des chaussures de sécurité et un masque respiratoire léger.**
- ▶ **Pour assurer une bonne stabilité de l'aspirateur, utiliser les freins de roue.** Si les freins de roue sont desserrés, il y a un risque que l'aspirateur se mette en mouvement de manière incontrôlée.
- ▶ **Si des dispositifs servant à aspirer ou à recueillir les poussières doivent être utilisés, s'assurer qu'ils sont effectivement raccordés et correctement utilisés.** L'utilisation d'un dispositif d'aspiration peut réduire les risques dus aux poussières.

2.4 Utilisation et emploi soigneux du produit

- ▶ **Ne jamais laisser le produit sans surveillance.**
- ▶ **Protéger le produit du gel.**
- ▶ **Nettoyer régulièrement le dispositif de jaugeage d'eau à l'aide d'une brosse et vérifier qu'il ne présente pas de signes d'endommagements.**
- ▶ **Lors de la mise en place de la tête aspirante, veiller à ne pas se coincer et à ne pas endommager le câble d'alimentation réseau.** Il y a un risque de blessures et d'endommagement.
- ▶ **Vérifier que le produit et l'accessoire ne présentent pas d'éventuels dommages. Avant toute autre utilisation, les dispositifs de sécurité et les pièces légèrement endommagées doivent être soigneusement contrôlés pour garantir un excellent fonctionnement, conforme aux spécifications. Vérifier que toutes les pièces mobiles fonctionnent parfaitement et ne coincent pas, et que les pièces ne sont pas abîmées. Toutes les pièces doivent être montées correctement et remplir toutes les conditions propres à garantir le parfait fonctionnement du produit.**
- ▶ **Le produit doit uniquement être réparé par un personnel qualifié et seulement avec des pièces de rechange d'origine.** Ceci permet d'assurer la sécurité du produit.



- ▶ Toujours débrancher la fiche d'alimentation de la prise lorsque le produit n'est pas utilisé (pendant les pauses), avant le nettoyage et l'entretien, le remplacement de pièces d'accessoires ou le changement de filtre. Cette mesure de précaution empêche une mise en fonctionnement par mégarde du produit.
- ▶ Ne jamais tirer l'aspirateur par le câble d'alimentation réseau dans une autre position de travail. Ne pas rouler avec l'aspirateur sur le câble d'alimentation.
- ▶ Ne jamais transporter le produit à l'aide d'une grue.
- ▶ Ne pas désactiver le nettoyage de filtre automatique en cours d'aspiration de poussières dangereuses en particulier si des outils électroportatifs générant des poussières sont utilisés.
- ▶ Ne jamais laisser le produit sans surveillance.
- ▶ Ne pas désactiver le nettoyage de filtre automatique en cours d'aspiration de poussières dangereuses en particulier si des outils électroportatifs générant des poussières sont utilisés.
- ▶ Protéger le produit du gel.
- ▶ Nettoyer régulièrement le dispositif de jaugeage d'eau à l'aide d'une brosse et vérifier qu'il ne présente pas de signes d'endommagements.
- ▶ Lors de la mise en place de la tête aspirante, veiller à ne pas se coincer et à ne pas endommager le câble d'alimentation réseau. Il y a risque de blessures et d'endommagement.
- ▶ Vérifier que le produit et l'accessoire ne présentent pas d'éventuels dommages. Avant toute autre utilisation, les dispositifs de sécurité et les pièces légèrement endommagées doivent être soigneusement contrôlés pour garantir un excellent fonctionnement, conforme aux spécifications. Vérifier que toutes les pièces mobiles fonctionnent parfaitement et ne coincent pas, et que les pièces ne sont pas abîmées. Toutes les pièces doivent être montées correctement et remplir toutes les conditions propres à garantir le parfait fonctionnement du produit.
- ▶ Le produit doit uniquement être réparé par un personnel qualifié et seulement avec des pièces de rechange d'origine. Ceci permet d'assurer la sécurité du produit.
- ▶ Toujours débrancher la fiche d'alimentation de la prise lorsque le produit n'est pas utilisé (pendant les pauses), avant le nettoyage et l'entretien, le remplacement de pièces d'accessoires ou le changement de filtre. Cette mesure de précaution empêche une mise en fonctionnement par mégarde du produit.
- ▶ Ne jamais tirer l'aspirateur par le câble d'alimentation réseau dans une autre position de travail. Ne pas rouler avec l'aspirateur sur le câble d'alimentation.

2.5 Sécurité relative au système électrique

- ▶ La fiche de secteur de l'appareil doit être appropriée à la prise de courant. Ne jamais modifier la fiche de quelque façon que ce soit. Ne pas utiliser de fiches d'adaptateur avec des appareils avec mise à la terre. Les fiches non modifiées et les prises de courant appropriées réduisent le risque de choc électrique.
- ▶ Brancher la fiche dans une prise appropriée, convenablement mise à la terre, installée en toute sécurité et conforme à toutes les exigences locales. S'il n'est pas certain que la prise est bien mise à la terre, la faire vérifier par un électricien qualifié.
- ▶ Éviter le contact physique avec des surfaces mises à la terre tels que tuyaux, radiateurs, cuisinières et réfrigérateurs. Il y a un risque élevé de choc électrique au cas où votre corps serait relié à la terre.
- ▶ Ne pas exposer l'appareil à la pluie ou à l'humidité. La pénétration d'eau dans un appareil électrique augmente le risque d'un choc électrique.
- ▶ S'assurer que le câble d'alimentation secteur ne repose pas dans des flaques.
- ▶ Contrôler régulièrement les câbles de raccordement de l'appareil et les faire remplacer par un S.A.V. Hilti s'ils sont endommagés. Contrôler régulièrement les câbles de rallonge et les remplacer s'ils sont endommagés.
- ▶ Si le cordon d'alimentation secteur et/ou le câble de rallonge sont endommagés pendant le travail, ne pas les toucher. Débrancher la fiche de la prise. Tous cordons d'alimentation secteur et câbles de rallonge endommagés représentent un danger d'électrocution.
- ▶ Le câble d'alimentation doit uniquement être remplacé par un câble conforme au type indiqué dans le présent mode d'emploi.
- ▶ Ne pas utiliser le câble à d'autres fins que celles prévues, ne pas utiliser le câble pour porter l'appareil ou pour l'accrocher ou encore pour le débrancher de la prise de courant. Maintenir le câble éloigné des sources de chaleur, des parties grasses, des bords tranchants ou des parties de l'appareil en rotation. Un câble endommagé ou torsadé augmente le risque d'un choc électrique.



- ▶ **Si l'appareil électrique est utilisé à l'extérieur, utiliser uniquement une rallonge homologuée pour les applications extérieures.** L'utilisation d'une rallonge électrique homologuée pour les applications extérieures réduit le risque d'un choc électrique.
- ▶ **En cas de coupure de courant, arrêter l'appareil et retirer la fiche de la prise de courant.**
- ▶ **Ne jamais faire fonctionner l'appareil s'il est encrassé ou mouillé.** Dans de mauvaises conditions d'utilisation, la poussière collée à la surface de l'appareil, surtout la poussière de matériaux conducteurs, ou l'humidité, peut entraîner une électrocution. **C'est pourquoi il convient de faire réviser les appareils encrassés par le S.A.V. Hilti à intervalles réguliers, surtout s'ils sont utilisés sur des matériaux conducteurs.**

2.6 Place de travail

- ▶ **Veiller à ce que l'espace de travail soit bien éclairé.**
- ▶ **Veiller à ce que le poste de travail soit bien ventilé.** Des places de travail mal ventilées peuvent nuire à la santé du fait de la présence excessive de poussière.
- ▶ **Laisser le poste de travail en ordre. Débarrasser le poste de travail de tous objets susceptibles de blesser.** Un désordre sur le lieu de travail peut provoquer des accidents.
- ▶ **Ne pas utiliser l'appareil dans un environnement présentant des risques d'explosion et où se trouvent des liquides, des gaz ou poussières inflammables.** Les appareils électriques génèrent des étincelles risquant d'enflammer les poussières ou les vapeurs.
- ▶ **Redoubler d'attention lors d'interventions sur des escaliers.**

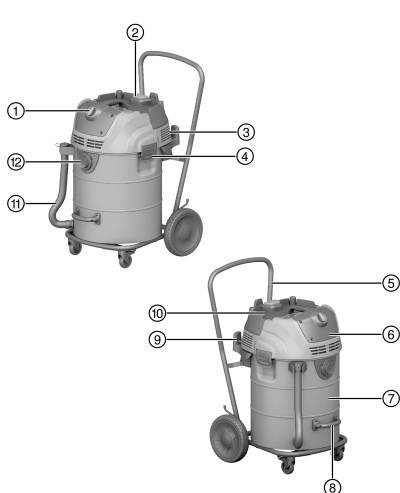
2.7 Matériau aspiré

- ▶ **Il est interdit d'aspirer des poussières nuisibles à la santé, inflammables et/ou explosives (poussières de magnésium-aluminium, etc.). Les matériaux qui sont plus chauds que 60 °C (140 °F) ne doivent pas être aspirés (p. ex. cigarettes mal éteintes, cendres chaudes).**
- ▶ Avant de commencer le travail, toujours vérifier la classe de risque de la poussière nocive susceptible d'être générée lors des travaux. Les matériaux nocifs pour la santé tels que l'amiante et le plomb ne font expressément **pas** partie de l'utilisation conforme du produit et ne doivent pas être traités → Page 16. Si vous traitez tout de même des matériaux contenant du plomb ou de l'amiante, la garantie du fabricant pour votre produit est annulée.
- ▶ La poussière générée par le meulage, le ponçage, le tronçonnage et le forage peut contenir des produits chimiques dangereux. Par exemple : plomb ou peinture à base de plomb ; brique, béton et autres produits de maçonnerie, pierre naturelle et autres produits contenant du quartz ; certains bois, tels que le chêne, le hêtre et le bois traité chimiquement ; amiante ou matériaux contenant de l'amiante. Déterminer l'exposition de l'opérateur et personnes se trouvant dans l'entourage en fonction de la classe de danger des matériaux traités. Prendre les mesures nécessaires pour maintenir l'exposition à un niveau sûr, par exemple en utilisant un système de collecte des poussières ou en portant une protection respiratoire appropriée. Mesures générales visant à réduire l'exposition :
 - ▶ Travailler dans un endroit bien ventilé
 - ▶ Éviter le contact prolongé avec la poussière
 - ▶ Faire en sorte que la poussière soit dirigée loin du visage et du corps
 - ▶ Porter des vêtements de protection et laver les zones exposées à l'eau et au savon
- ▶ **Il est interdit d'aspirer des liquides inflammables, explosifs, agressifs (agents réfrigérants et lubrifiants, essence, solvants, acides (pH < 5), lessives alcalines (pH > 12,5), etc.).**
- ▶ **Arrêter immédiatement l'appareil si de la mousse ou des liquides en sortent.**
- ▶ **Porter des gants de protection lors de l'aspiration de matériaux brûlants jusqu'à une température max. de 60 °C (140 °F).**
- ▶ **Lors de travaux avec boues de forage minérales, porter des vêtements de protection et éviter tout contact avec la peau (pH > 9 corrosif).**
- ▶ **Éviter tout contact avec des liquides basiques ou acides. En cas de contact par mégarde, rincer soigneusement avec de l'eau. Si le liquide rentre dans les yeux, les rincer abondamment à l'eau et consulter en plus un médecin.**



3 Description

3.1 Vue d'ensemble du produit



- ① Commutateur de l'appareil
- ② Bouton de commande **nettoyage manuel du filtre**
- ③ Fente d'échappement de l'air vicié
- ④ Brides de fermeture
- ⑤ Poignée de transport
- ⑥ Tête aspirante
- ⑦ Récipient à eau et à saletés
- ⑧ Poignée pour vider la cuve
- ⑨ Crochet pour câble
- ⑩ Couvercle de filtre
- ⑪ Tuyau d'évacuation
- ⑫ Raccord d'admission (flexible d'aspiration)

3.2 Utilisation conforme à l'usage prévu

Le produit décrit est un aspirateur industriel destiné à un usage professionnel. Il est conçu pour les applications humides mais peut aussi être utilisé pour les travaux de nettoyage à sec.

Il est interdit d'utiliser ce produit pour aspirer sur des êtres humains ou des animaux. Toute utilisation en immersion est interdite.

- ▶ Avant la mise en service du produit, s'informer sur son maniement, les dangers engendrés par les matériaux et l'élimination en toute sécurité des matériaux aspirés.
- ▶ Ne pas utiliser le produit dans des installations à fonctionnement continu, automatique ou semi-automatique.
- ▶ Utiliser uniquement des accessoires et outils **Hilti** d'origine, pour éviter tout risque de blessure.
- ▶ Pour éviter tout effet électrostatique, utiliser un flexible d'aspiration antistatique.
- ▶ Ne pas utiliser le produit comme escabeau.

Les produits décrits sont conformes à la directive OSHA 1926.1153, Table 1.

Ce produit est destiné à un usage professionnel pour les applications suivantes :

- Aspiration de boues de forage minérales avec meules diamantées **Hilti** ou scies diamantées **Hilti** et de matériau liquide jusqu'à une température < 60 °C (140 °F).
- Aspiration d'huiles et de fluides jusqu'à une température < 60 °C (140 °F).
- Nettoyage à sec et par voie humide de matières non nocives pour la santé sur des surfaces murales et au sol.

3.3 Mauvaise utilisation possible

- L'aspirateur industriel ne doit pas être utilisé en position couchée.
- L'aspirateur industriel ne doit pas être utilisé pour aspirer des substances explosives, incandescentes, brûlantes ou inflammables (p. ex. poussières de magnésium ou d'aluminium, etc.) , ni poussières agressives (exception : copeaux de bois).
- L'aspirateur industriel ne doit pas être utilisé pour aspirer des liquides inflammables (p. ex. essence, solvants, acides, agents réfrigérants et lubrifiants, etc.).
- Il est interdit de traiter des matières nocives pour la santé (par ex. poussières de classe L, de classe M, de classe H et amiante).



3.4 Éléments livrés

Aspirateur industriel avec cartouche filtrante, tuyau d'aspiration complet avec raccord de tuyau, kit d'accessoires (suceur de sol), mode d'emploi.

D'autres produits système pour votre produit peuvent être trouvés dans votre **Hilti Store** ou à l'adresse : www.hilti.group

3.5 Commutateur de l'appareil

Symbole	Signification
	Mise en marche
	Arrêt
	Bouton de commande : nettoyage manuel du filtre

3.6 Utilisation du dispositif de nettoyage du filtre

L'aspirateur est doté d'une fonction de nettoyage manuel du filtre. Pour obtenir la puissance d'aspiration maximale, utiliser le nettoyage du filtre à intervalles réguliers.

1. Obtenir l'extrémité du flexible.
2. Attendre que la dépression soit maximale.
3. Actionner 4-5 fois de suite la touche de commande



3.7 Indications relatives à l'utilisation

Accessoires et leur mode d'utilisation

Accessoires	Réf. article	Type d'application
Filtre en polyester	2182582	universel, applications humides et sèches
Filtre PTFE	2202240	applications intensives, humides et sèches
Filtre HEPA	2177708	humides et sèches

4 Caractéristiques techniques

4.1 Propriétés du produit

En cas d'utilisation avec un groupe électrogène ou un transformateur, leur puissance d'alimentation doit être au moins égale au double de la puissance indiquée sur la plaque signalétique de l'appareil. La tension de service du groupe électrogène ou du transformateur doit être à tout moment comprise entre +5 % et -15 % de la tension nominale du produit.



	VC 300-20-W
Poids	63,1 lb (28,6 kg)
Dimensions (L x l x H)	27,6 in × 19,9 in × 39,0 in (700 mm × 505 mm × 990 mm)
Débit volumique max. (données de turbine)	300 CFM (2×71 ℓ/s)
Dépression max.	3,0 psi (20,8 kPa)
Volume de cuve	20 liq. gal _{US} (75 ℓ)
Quantité de remplissage d'eau	14 liq. gal _{US} (52 ℓ)
Température de service	32 °F ... 104 °F (0 °C ... 40 °C)
Nettoyage du filtre	manuel
Fréquence du secteur	50 Hz ... 60 Hz
Alimentation secteur (type)	SJTW-A 3×14 AWG
Classe de protection	I
Classe de protection	IPX4

5 Utilisation de rallonges électriques

AVERTISSEMENT

Danger engendré par un câble endommagé ! Si le câble d'alimentation réseau ou de rallonge est endommagé pendant le travail, ne pas le toucher. Débrancher la prise.

- ▶ Contrôler régulièrement les câbles de raccordement de l'appareil et les faire remplacer par un spécialiste s'ils sont endommagés.
-
- Utiliser uniquement des rallonges homologuées pour le domaine d'utilisation concerné et de section suffisante. Sinon, une perte de puissance de l'appareil et une surchauffe du câble risquent de se produire.
 - Vérifier régulièrement l'état de la rallonge électrique.
 - Remplacer les rallonges électriques endommagées.
 - À l'extérieur, n'utiliser que des rallonges homologuées et dotées du marquage adéquat.

Les sections minimales recommandées et les longueurs maximales de câbles se trouvent à la fin de la présente documentation, sous forme de code QR.

6 Mise en service

DANGER

Danger d'électrocution. Si l'aspirateur n'est pas correctement branché, il y a risque de mort ou de blessures graves.

- ▶ L'aspirateur doit exclusivement être branché à une source d'alimentation mise à la terre.

ATTENTION

Risque de blessures du fait de mouvements incontrôlés ! Si les freins de roue sont desserrés, il y a risque que l'aspirateur se mette en mouvement de manière incontrôlée.

- ▶ Pour assurer une bonne stabilité de l'aspirateur, utiliser les freins de roue.

6.1 Première mise en service

1. Ouvrir les deux brides de fermeture.
2. Soulever la tête aspirante de la cuve de récupération de saletés.
3. Enlever les pièces d'accessoires de la cuve de récupération de saletés et de l'emballage.



4. Mettre la tête aspirante en place sur la cuve de récupération de saletés et fermer les deux brides de fermeture.
5. S'assurer que la tête aspirante est correctement montée et verrouillée.
6. Raccorder le flexible d'aspiration à l'appareil.

7 Utilisation

AVERTISSEMENT

Risque de blessures. Un système de filtration endommagé peut générer des poussières nocives pour la santé.

- ▶ En cas d'urgence (par ex. rupture du filtre), arrêter l'appareil, le débrancher du secteur et le faire contrôler par un personnel qualifié avant toute réutilisation.

ATTENTION

Risque de blessures du fait de mouvements incontrôlés ! Si les freins de roue sont desserrés, il y a risque que l'aspirateur se mette en mouvement de manière incontrôlée.

- ▶ Pour assurer une bonne stabilité de l'aspirateur, utiliser les freins de roue.

7.1 Aspiration de poussières sèches



Après les applications humides, remplacer l'élément filtrant par un élément filtrant sec ou neuf.

ATTENTION

Risque de blessures par des poussières nocives ! Si aucune cartouche filtrante n'est utilisée, il y a un risque que le matériau aspiré sorte.

- ▶ N'utiliser l'aspirateur qu'avec cartouche filtrante en place.

1. Vérifier que l'élément filtrant est bien sec et le remplacer le cas échéant.
2. Pour aspirer, mettre l'interrupteur de commande sur .

7.2 Aspiration de liquides

ATTENTION

Risque de blessures par des poussières nocives ! Si aucune cartouche filtrante n'est utilisée, il y a un risque que le matériau aspiré sorte.

- ▶ N'utiliser l'aspirateur qu'avec cartouche filtrante en place.



Pour les applications à sec ultérieures, remplacer l'élément filtrant par un élément filtrant sec ou neuf.

1. Contrôler le dispositif de surveillance de niveau. → Page 21
2. Dans la mesure du possible, utiliser une autre cartouche filtrante pour aspirer les déchets humides.
3. Après avoir aspiré des liquides, ouvrir les deux brides de fermeture.
4. Soulever la tête aspirante de la cuve de récupération de saletés et la poser sur un support plan, de sorte que la cartouche filtrante puisse sécher.
5. Vider la cuve de récupération de saletés et la nettoyer à l'aide d'un flexible à eau. Nettoyer les électrodes à l'aide d'une brosse et la cartouche filtrante, après l'avoir préalablement séchée en essuyant à la main.
6. Laisser la cuve de récupération de saletés sécher.

7.3 Après le travail

1. Mettre le produit sur arrêt en réglant l'interrupteur de commande sur .
2. Débrancher la fiche de la prise.
3. Enrouler le cordon d'alimentation et le suspendre au crochet pour câble.
4. Vider le réservoir et nettoyer l'appareil en essuyant avec un chiffon humide.
5. Enrouler le flexible.



6. Déposer l'aspirateur dans un local sec de manière à empêcher toute utilisation non autorisée.

7.4 Vidage de la cuve de récupération de saletés en cas de poussières sèches

1. Débrancher la fiche de la prise.
2. Soulever la tête aspirante de la cuve de récupération de saletés et la poser sur un support plan.
3. Tenir la cuve de récupération de saletés par les poignées prévues à cet effet et l'incliner pour le vider.
4. Mettre la tête aspirante en place sur la cuve de récupération de saletés et fermer les deux brides de fermeture.

7.5 Vidage de la cuve de récupération de saletés sans sac à poussières (en cas d'aspiration de liquides)



Respecter les dispositions légales en vigueur localement en matière de traitement des eaux usées.

1. Débrancher la fiche de la prise.
2. Enlever le capuchon du tuyau d'évacuation.
3. Enlever le tuyau d'évacuation de son support.
4. Poser le tuyau d'évacuation sur le sol.
 - ▶ L'eau sale s'écoule.
5. Soulever la tête aspirante de la cuve de récupération de saletés et la poser sur un support plan.
6. Tenir la cuve de récupération de saletés par les poignées prévues à cet effet et l'incliner pour le vider.
7. Nettoyer le bord de la cuve de récupération de saletés avec un chiffon.
8. Mettre la tête aspirante en place sur la cuve de récupération de saletés et fermer les deux brides de fermeture.

8 Nettoyage et entretien

8.1 Entretien de l'appareil



AVERTISSEMENT

Danger d'électrocution ! Des réparations inappropriées de composants électriques peuvent entraîner de graves blessures corporelles par électrocution.

- ▶ Les réparations des composants électriques doivent exclusivement être effectuées par un électricien qualifié.
- ▶ Tenir l'appareil, en particulier les surfaces de préhension, sec, propre et exempt d'huile et de graisse. Ne pas utiliser de nettoyeurs à base de silicone.
- ▶ Ne jamais faire fonctionner l'aspirateur si ses ouïes d'aération sont bouchées ! Nettoyer soigneusement les ouïes d'aération à l'aide d'une brosse sèche. Éviter toute pénétration de corps étrangers à l'intérieur de l'appareil.
- ▶ Nettoyer régulièrement l'extérieur de l'appareil avec un chiffon légèrement humide. Pour nettoyer, ne pas utiliser d'appareil diffuseur, d'appareil à jet de vapeur ou d'eau courante, car cela pourrait nuire à la sécurité électrique de l'appareil.

8.2 Mise en place/Remplacement de la cartouche filtrante

1. Débrancher la fiche de la prise.
2. Ouvrir les brides de fermeture pour couvercle de filtre.
3. Ouvrir le couvercle de filtre.
4. Enlever prudemment la cartouche filtrante en la saisissant par la poignée encastrée au dispositif de serrage.
5. Nettoyer les surfaces d'étanchéité avec un chiffon.
6. Insérer la nouvelle cartouche filtrante.
7. Fermer le couvercle de filtre en rabattant le dispositif d'arrêt du couvercle vers l'avant.
8. Fermer les brides de fermeture pour couvercle de filtre.



8.3 Contrôle du dispositif de surveillance de niveau

1. Pour assurer une bonne stabilité de l'aspirateur, utiliser les freins de roue.
2. Débrancher la fiche de la prise.
3. Ouvrir les deux brides de fermeture.
4. Soulever la tête aspirante de la cuve de récupération de saletés et la poser sur un support plan.
5. Vérifier que les contacts d'arrêt ne sont pas encrassés et, si nécessaire, les nettoyer avec une brosse.
6. Vérifier que le joint d'étanchéité sur la tête aspirante n'est pas encrassé et le nettoyer le cas échéant avec un chiffon.
7. Vérifier le fonctionnement de l'interrupteur à flotteur en relevant l'interrupteur vers le haut.
 - ▶ Le mouvement de la bille à l'intérieur de l'interrupteur à flotteur doit être clairement perceptible.
8. Mettre la tête aspirante en place sur la cuve de récupération de saletés et fermer les deux brides de fermeture.

8.4 Contrôle après des travaux de nettoyage et d'entretien

1. Après tous travaux d'entretien et de remise en état, vérifier que l'aspirateur est correctement monté et qu'il fonctionne correctement.
2. Procéder à un test de fonctionnement.

9 Transport et stockage

9.1 Transport

L'aspirateur ne doit pas être transporté lorsque la cuve de récupération de saletés est pleine.

L'aspirateur ne doit pas être suspendu à une grue.

- ▶ Le cas échéant, enlever le Power Conditioner et retirer les outils détachés du dispositif de fixation d'accessoires.
- ▶ Vider l'aspirateur avant de le transporter vers un autre endroit.
- ▶ Ne pas basculer l'aspirateur et le transporter debout uniquement lorsque des liquides ont été aspirés.
- ▶ Pour le transport, raccorder les deux extrémités de flexible ensemble à l'aide de l'adaptateur conique.

9.2 Stockage

- ▶ Déposer l'aspirateur dans un local sec, à l'abri de toute utilisation non autorisée.

10 Aide au dépannage

En cas de défaillances non énumérées dans ce tableau ou auxquelles il n'est pas possible de remédier sans aide, contacter le S.A.V. **Hilti**.

10.1 Tableau des défaillances

Défaillance	Causes possibles	Solution
La turbine d'aspiration ne se met pas en marche.	Absence d'alimentation électrique.	▶ Vérifier la prise et le fusible.
	Sonde très encrassée.	▶ Contrôler le dispositif de surveillance de niveau. → Page 21
La turbine d'aspiration s'arrête.	La cuve est pleine.	▶ Vider la cuve.
La turbine d'aspiration ne démarre pas après le nettoyage de la cuve.	Dispositif d'arrêt automatique activé.	▶ Régler le commutateur de l'appareil sur cette position .
	Sonde très encrassée.	▶ Régler le commutateur de l'appareil sur cette position .
La puissance d'aspiration s'affaiblit.	Buse d'aspiration, tuyau d'aspiration, flexible d'aspiration ou filtre bouchés.	▶ Éliminer la cause d'obstruction.



Défaillance	Causes possibles	Solution
La puissance d'aspiration s'affaiblit.	Filtre plein.	<ul style="list-style-type: none"> ▶ Effectuez un nettoyage manuel du filtre. ▶ Remplacer les éléments filtrants.
	Couvercle de filtre ouvert	▶ Fermer le couvercle de filtre.
	Tuyau d'écoulement non étanche	▶ Vérifier l'étanchéité du tuyau d'écoulement.
La poussière est soufflée hors de l'appareil.	Filtre pas correctement monté.	▶ Contrôler la pose correcte du filtre principal.
L'appareil se met en marche et s'arrête de manière incontrôlée, ou l'utilisateur subit des décharges statiques.	La décharge électrostatique n'est pas assurée, l'appareil est raccordé à une prise non mise à la terre.	▶ Raccorder l'appareil à une source de courant mise à la terre, utiliser un flexible antistatique.
L'appareil ne se met pas en marche ou s'arrête après un bref démarrage.	La coupure d'eau a été déclenchée.	▶ Nettoyer les sondes et l'environnement des sondes avec une brosse.
Le moteur ne fonctionne plus.	Le fusible de la prise a réagi.	<ul style="list-style-type: none"> ▶ Armer le fusible. ▶ S'il réagit à nouveau, rechercher l'origine de la surintensité.
	Cuve de récupération de saletés pleine de liquide.	▶ Arrêter l'appareil et vider la cuve de récupération de saletés.

11 Recyclage

Les produits Hilti sont fabriqués pour une grande partie en matériaux recyclables. Le recyclage présuppose un tri adéquat des matériaux. Hilti reprend les appareils usagés dans de nombreux pays en vue de leur recyclage. Consulter le service clients Hilti ou un conseiller commercial.

Boues de forage

En raison de la protection de l'environnement, les boues de forage ne doivent pas être versées dans les cours d'eau ou les canalisations sans prétraitement approprié.

- ▶ Veuillez vous renseigner auprès de votre administration locale sur les directives en vigueur en la matière.

Nous recommandons le prétraitement suivant :

- ▶ Collecter les boues de forage (par exemple au moyen d'un aspirateur de déchets liquides).
- ▶ Faire décanter les boues de forage et éliminer la partie sèche sur une décharge industrielle (le procédé peut être accéléré par des agents floculants).
- ▶ Avant de déverser l'eau résiduelle (basique, pH > 7) dans les canalisations, il convient de la neutraliser en ajoutant un neutralisant acide ou en la diluant avec beaucoup d'eau.

Poussière de forage

- ▶ La poussière de forage accumulée doit être éliminée conformément aux réglementations nationales existantes en vigueur.

12 Garantie constructeur

- ▶ En cas de questions sur les conditions de garantie, veuillez vous adresser à votre partenaire Hilti local.

Manual de instrucciones original

1 Información sobre la documentación

1.1 Acerca de esta documentación

- Lea detenidamente esta documentación antes de la puesta en servicio. Ello es imprescindible para un trabajo seguro y un manejo sin problemas.
- Respete las indicaciones de seguridad y las advertencias presentes en esta documentación y en el producto.



- Conserve este manual de instrucciones siempre junto con el producto y entregue el producto a otras personas siempre acompañado del manual.

1.2 Explicación de símbolos

1.2.1 Avisos

Las advertencias de seguridad advierten de peligros derivados del manejo del producto. Se utilizan las siguientes palabras de peligro:

PELIGRO

PELIGRO !

- ▶ Término utilizado para un peligro inminente que puede ocasionar lesiones graves o incluso la muerte.

ADVERTENCIA

ADVERTENCIA !

- ▶ Término utilizado para un posible peligro que puede ocasionar lesiones graves o incluso la muerte.



PRECAUCIÓN

PRECAUCIÓN !

- ▶ Término utilizado para una posible situación peligrosa que puede ocasionar lesiones o daños materiales.


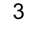


1.2.2 Símbolos en la documentación

En esta documentación se utilizan los siguientes símbolos:

	Leer el manual de instrucciones antes del uso
	Indicaciones de uso y demás información de interés

1.2.3 Símbolos en las figuras

En las figuras se utilizan los siguientes símbolos:

	Estos números hacen referencia a la figura correspondiente incluida al principio de este manual
	La numeración describe el orden de los pasos de trabajo en la imagen y puede ser diferente de los pasos descritos en el texto
	Los números de posición se utilizan en la figura Vista general y los números de la leyenda están explicados en el apartado Vista general del producto
	Preste especial atención a este símbolo cuando utilice el producto.

1.3 Símbolos del producto

1.3.1 Símbolos en el producto

En el producto se utilizan los siguientes símbolos:

	Advertencia de superficie caliente
	Prohibido transportar con grúa

1.4 Información del producto

Los productos **Hilti** han sido diseñados para usuarios profesionales y solo deben ser manejados, conservados y reparados por personal autorizado y debidamente formado. Este personal debe estar especialmente instruido en lo referente a los riesgos de uso. La utilización del producto y sus dispositivos auxiliares puede conllevar riesgos para el usuario en caso de manejarse de forma inadecuada por personal no cualificado o utilizarse para usos diferentes a los que están destinados.

La denominación del modelo y el número de serie están indicados en la placa de identificación.



- ▶ Copie el número de serie en la siguiente tabla. Necesitará los datos del producto para realizar consultas a nuestros representantes o al Departamento de Servicio Técnico.

Datos del producto

Aspirador en húmedo	VC 300-20-W
Generación	02
N.º de serie.	

2 Seguridad

2.1 Indicaciones de seguridad importantes

¡ADVERTENCIA! LEA ÍNTEGRAMENTE ESTAS INSTRUCCIONES. En caso de no atenderse a las instrucciones de seguridad que se describen a continuación, podría provocarse una descarga eléctrica, incendio o lesiones graves. GUARDE ESTAS INSTRUCCIONES EN UN LUGAR SEGURO.

2.2 Instrucciones generales de seguridad

Además de las indicaciones de seguridad que aparecen en los distintos apartados de este manual de instrucciones, también es imprescindible cumplir las siguientes disposiciones.

- ▶ **Lea todas las indicaciones.** La no observación de las siguientes indicaciones puede producir descarga eléctrica, fuego o lesiones graves.
- ▶ **Cuando vaya a utilizar el producto junto con una herramienta eléctrica, lea antes el manual de instrucciones de la herramienta eléctrica y siga todas las indicaciones.**
- ▶ **No está permitido efectuar manipulaciones o modificaciones en la herramienta.**
- ▶ **Utilice la herramienta adecuada. No utilice la herramienta para fines no previstos, sino únicamente de forma reglamentaria y en perfecto estado.**
- ▶ **Antes de trabajar con la herramienta, infórmese sobre su manejo, los posibles peligros relacionados con los materiales y el reciclaje seguro del material aspirado.**
- ▶ **Observe las condiciones ambientales. No utilice la herramienta en lugares donde existe peligro de incendio o explosión.**
- ▶ **La herramienta solo debe ser utilizada por personas que estén familiarizadas con ella, que hayan sido informados acerca del uso seguro de la herramienta y entiendan los riesgos que comporta. La herramienta no es apta para el uso por parte de niños. Debe supervisarse a los niños para evitar que jueguen con la herramienta.**
- ▶ **Las herramientas que no se utilicen deben almacenarse de manera segura. Las herramientas que no se utilicen deben conservarse fuera del alcance de los niños, en un lugar seco, alto y cerrado.**

2.3 Seguridad de las personas

- ▶ **Permanezca atento, preste atención durante el trabajo y utilice el producto con prudencia. No utilice el aspirador si está cansado o se encuentra bajo los efectos de drogas, alcohol o medicamentos.** Un momento de descuido mientras se está utilizando la herramienta puede provocar lesiones graves.
- ▶ **El usuario y las personas que se encuentren en las inmediaciones de la zona durante el uso y el mantenimiento de la herramienta deberán llevar gafas protectoras adecuadas, casco de seguridad, protección para los oídos, guantes de protección, calzado de seguridad y una mascarilla ligera.**
- ▶ **Accione los frenos de las ruedas para que el aspirador se mantenga seguro.** Si los frenos de las ruedas no están accionados, el aspirador puede moverse de forma descontrolada.
- ▶ **Siempre que sea posible utilizar equipos de aspiración o captación de polvo, asegúrese de que están conectados y de que se utilizan correctamente.** El uso de un aspirador de polvo reduce los riesgos derivados del polvo.

2.4 Manipulación y utilización segura del producto

- ▶ **No deje el producto sin vigilancia.**
- ▶ **Proteja el producto frente a las heladas.**
- ▶ **Limpie con regularidad el dispositivo limitador del nivel de agua con un cepillo como se indica en las instrucciones y revíselo en busca de desperfectos.**
- ▶ **Al colocar el cabezal de aspiración, asegúrese de no pillarse los dedos y de no dañar el cable de red.** Existe riesgo de estropearlo y dañarlo.



- ▶ Compruebe que el producto y los accesorios no presentan daños. Antes de continuar utilizando la herramienta, compruebe con detenimiento los dispositivos de seguridad y las piezas ligeramente dañadas para asegurarse de que funcionan correctamente y según las prescripciones correspondientes. Compruebe que los componentes móviles funcionen correctamente y no estén atascados, y que las piezas no estén dañadas. Para garantizar un funcionamiento adecuado del producto, las piezas deben estar correctamente montadas y cumplir todas las condiciones necesarias.
- ▶ Encargue a un profesional la reparación del producto utilizando exclusivamente piezas de repuesto originales. Solo así se garantiza la seguridad del producto.
- ▶ Desenchufe siempre el producto de la toma de corriente cuando no se esté utilizando (durante las pausas de trabajo), antes de realizar labores de cuidado y mantenimiento o de cambiar el filtro o los accesorios. Esta medida preventiva evita el riesgo de arranque accidental del producto.
- ▶ No tire del cable de red para cambiar el aspirador de posición de trabajo. No desplace el aspirador sobre el cable de red.
- ▶ No desplace el producto con una grúa.
- ▶ No desactive la limpieza del filtro cuando esté aspirando polvos peligrosos, especialmente durante la utilización con herramientas eléctricas que generen polvo.
- ▶ No deje el producto sin vigilancia.
- ▶ No desactive la limpieza del filtro cuando esté aspirando polvos peligrosos, especialmente durante la utilización con herramientas eléctricas que generen polvo.
- ▶ Proteja el producto frente a las heladas.
- ▶ Limpie con regularidad el dispositivo limitador del nivel de agua con un cepillo como se indica en las instrucciones y reviselo en busca de desperfectos.
- ▶ Al colocar el cabezal de aspiración, asegúrese de no pillarse los dedos y de no dañar el cable de red. Existe riesgo de estropearlo y dañarlo.
- ▶ Compruebe que el producto y los accesorios no presentan daños. Antes de continuar utilizando la herramienta, compruebe con detenimiento los dispositivos de seguridad y las piezas ligeramente dañadas para asegurarse de que funcionan correctamente y según las prescripciones correspondientes. Compruebe que los componentes móviles funcionen correctamente y no estén atascados, y que las piezas no estén dañadas. Para garantizar un funcionamiento adecuado del producto, las piezas deben estar correctamente montadas y cumplir todas las condiciones necesarias.
- ▶ Encargue a un profesional la reparación del producto utilizando exclusivamente piezas de repuesto originales. Solo así se garantiza la seguridad del producto.
- ▶ Desenchufe siempre el producto de la toma de corriente cuando no se esté utilizando (durante las pausas de trabajo), antes de realizar labores de cuidado y mantenimiento o de cambiar el filtro o los accesorios. Esta medida preventiva evita el riesgo de arranque accidental del producto.
- ▶ No tire del cable de red para cambiar el aspirador de posición de trabajo. No desplace el aspirador sobre el cable de red.

2.5 Seguridad eléctrica

- ▶ El enchufe del aparato debe ser el adecuado para la toma de corriente utilizada. No se deberá modificar el enchufe en forma alguna. No utilice enchufes adaptadores para las herramientas con puesta a tierra. Los enchufes sin modificar adecuados a las respectivas tomas de corriente reducen el riesgo de descarga eléctrica.
- ▶ Inserte el enchufe en una toma de corriente adecuada equipada con toma de tierra, que haya sido instalada conforme a todas las normativas locales. Si desea cerciorarse sobre la correcta puesta a tierra de la toma de corriente, encargue dicha tarea a personal técnico cualificado.
- ▶ Evite el contacto corporal con superficies que tengan puesta a tierra, como pueden ser tubos, calefacciones, cocinas y frigoríficos. El riesgo a quedar expuesto a una descarga eléctrica es mayor si su cuerpo tiene contacto con tierra.
- ▶ No exponga las herramientas eléctricas a la lluvia y evite que penetren líquidos en su interior. Existe el peligro de recibir una descarga eléctrica si penetra agua en la herramienta eléctrica.
- ▶ Asegúrese de que el cable de red no se encuentre en un charco.
- ▶ Compruebe con regularidad el cable de conexión de la herramienta y, en caso de que presentara daños, encargue su sustitución al Departamento de Servicio Técnico de Hilti. Inspeccione regularmente los alargadores y sustitúyalos en caso de que estuvieran dañados.
- ▶ Si se dañan el cable de red o el alargador durante el trabajo, evite tocarlos. Extraiga el enchufe de red de la toma de corriente. Los cables de red y los alargadores dañados suponen un peligro, pues pueden ocasionar una descarga eléctrica.



- ▶ El cable de conexión a la red solo se debe reemplazar por uno del tipo señalado en el manual de instrucciones.
- ▶ **No utilice el cable de red para transportar o colgar la herramienta ni tire de él para extraer el enchufe de la toma de corriente. Mantenga el cable de red alejado de fuentes de calor, aceite, aristas afiladas o piezas móviles de la herramienta.** Los cables de red dañados o enredados pueden provocar descargas eléctricas.
- ▶ **Cuando trabaje al aire libre con una herramienta eléctrica, utilice exclusivamente un alargador adecuado para exteriores.** La utilización de un alargador adecuado para su uso en exteriores reduce el riesgo de una descarga eléctrica.
- ▶ **Si se produce un corte de suministro, desconecte la herramienta y extraiga el enchufe.**
- ▶ **No utilice nunca una herramienta sucia o mojada.** El polvo adherido en la superficie de la herramienta, sobre todo el de los materiales conductivos, o la humedad pueden provocar descargas eléctricas cuando se den condiciones desfavorables. **Por lo tanto, lleve con regularidad a revisar al Servicio Técnico de Hilti la herramienta sucia, sobre todo si se ha usado con frecuencia para trabajar con materiales conductivos.**

2.6 Lugar de trabajo

- ▶ **Procure que haya una buena iluminación en la zona de trabajo.**
- ▶ **Procure una buena ventilación del lugar de trabajo.** Los lugares de trabajo mal ventilados pueden resultar nocivos para la salud debido a la carga de polvo.
- ▶ **Mantenga la zona de trabajo ordenada. Mantenga el entorno de trabajo despejado de objetos que puedan ocasionarle lesiones.** El desorden en la zona de trabajo podría provocar accidentes.
- ▶ **No utilice la herramienta eléctrica en un entorno con peligro de explosión, en el que se encuentren combustibles líquidos, gases o material en polvo.** Las herramientas eléctricas producen chispas que pueden llegar a inflamar los materiales en polvo o vapores.
- ▶ **Tenga especial cuidado al trabajar sobre escaleras.**

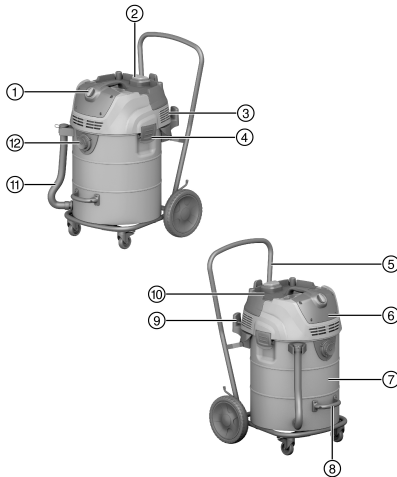
2.7 Sustancias aspiradas

- ▶ **No aspire polvo peligroso para la salud, inflamable o explosivo (polvo de magnesio-aluminio, entre otros). No deben aspirarse materiales cuya temperatura supere los 60 °C (140 °F), p. ej. cigarrillos encendidos o cenizas calientes.**
- ▶ Antes de comenzar a trabajar, compruebe siempre la categoría de peligro del polvo perjudicial para la salud que puede generarse al trabajar. Los materiales perjudiciales para la salud, como el amianto o el plomo, están explícitamente **excluidos** del uso debido del producto y su procesamiento no está permitido → página 27. Si, a pesar de todo, se mecanizan materiales que contienen amianto o plomo, se extingue la garantía del fabricante sobre el producto.
- ▶ El polvo que se genera al pulir, lijar, cortar y taladrar puede contener productos químicos peligrosos, como, por ejemplo, plomo o pinturas basadas en plomo; ladrillo, hormigón y otros productos de mampostería, piedra natural y otros productos que contienen cuarzo; determinadas maderas, como el roble o el haya o las maderas tratadas químicamente, o amianto o materiales que contengan asbesto. La exposición del usuario y las personas circundantes debe regularse según la clase de peligro de los materiales con los que se trabaje. Tome las medidas necesarias para mantener la exposición a un nivel seguro, p. ej., mediante el uso de un sistema de recogida de polvo o una mascarilla adecuada. Las medidas genéricas para reducir la exposición son, entre otras:
 - ▶ trabajar en un espacio bien ventilado;
 - ▶ evitar el contacto prolongado con el polvo;
 - ▶ desviar el polvo de la cara y el cuerpo;
 - ▶ usar prendas protectoras y lavar con agua y jabón las zonas expuestas.
- ▶ **No se deben aspirar líquidos inflamables, explosivos o agresivos (refrigerantes, lubricantes, gasolina, disolvente, ácidos [pH < 5], lejías [pH > 12,5], etc.).**
- ▶ **En caso de escape de espuma o líquidos, apague la herramienta inmediatamente.**
- ▶ **Póngase guantes de protección para aspirar materiales calientes, como máximo a 60 °C (140 °F).**
- ▶ **Utilice siempre prendas protectoras al trabajar con lodo mineral de perforación y evite el contacto con la piel (pH > 9, corrosivo).**
- ▶ **Evite el contacto con líquidos básicos o ácidos. En caso de contacto accidental, enjuague el área afectada con abundante agua. En caso de contacto con los ojos, aclárelos con agua abundante y consulte de inmediato a su médico.**



3 Descripción

3.1 Vista general del producto



- ① Interruptor de la herramienta
- ② Interruptor de control **Limpieza de filtro manual**
- ③ Ranuras de escape
- ④ Pinza de cierre
- ⑤ Empuñadura de transporte
- ⑥ Cabezal de aspiración
- ⑦ Depósito de agua y de suciedad
- ⑧ Asa para el vaciado del depósito
- ⑨ Gancho para cables
- ⑩ Cubierta del filtro
- ⑪ Tubo flexible de desagüe
- ⑫ Pieza de empalme de entrada (manguera de aspiración)

3.2 Uso conforme a las prescripciones

El producto aquí descrito es un aspirador industrial para uso profesional. Ha sido diseñado para aplicaciones en húmedo, pero también puede utilizarse para trabajos de limpieza en seco.

Está prohibido utilizar este producto con personas o animales. Está prohibido utilizar la herramienta bajo el agua.

- ▶ Antes de trabajar con el producto, infórmese sobre su manejo, los peligros relacionados con los materiales y el reciclaje seguro del material.
- ▶ No utilice el producto con la marcha continua fija en instalaciones automáticas o semiautomáticas.
- ▶ Para evitar el riesgo de lesiones, utilice exclusivamente accesorios y útiles originales de **Hilti**.
- ▶ Para evitar efectos electrostáticos, utilice una manguera de aspiración antiestática.
- ▶ No utilice el producto como escalera.

Los productos descritos aquí cumplen la directiva OSHA 1926.1153, Table 1.

Este producto está destinado a uso industrial y es apropiado para las siguientes aplicaciones:

- Aspiración del lodo mineral de perforación con coronas perforadoras de diamante **Hilti**, sierras de diamante **Hilti** y material de aspiración líquido con una temperatura inferior a 60 °C (140 °F).
- Aspiración de aceite y sustancias líquidas con una temperatura inferior a 60 °C (140 °F).
- Limpieza en seco y en húmedo de sustancias inocuas para la salud en paredes y suelos.

3.3 Posibles usos indebidos

- El aspirador industrial no se debe utilizar en posición horizontal.
- El aspirador industrial no se debe utilizar para aspirar materiales explosivos; sustancias incandescentes, en llamas o inflamables (por ejemplo, polvo de magnesio o de aluminio), ni polvos agresivos (excepción: virutas de madera).
- El aspirador industrial no debe utilizarse para absorber líquidos inflamables (por ejemplo, gasolina, disolventes, ácidos, refrigerantes, lubricantes, etc.).
- No deben tratarse materiales peligrosos para la salud (por ejemplo, las clases de polvo L, M, H y amianto).

3.4 Suministro

Aspirador industrial, incluidos el elemento de filtro, la manguera de aspiración completa con conexión, el set de accesorios (boquilla para suelos) y el manual de instrucciones.



Encontrará otros productos del sistema autorizados para su producto en su **Hilti Store** o en Internet, en: www.hilti.group

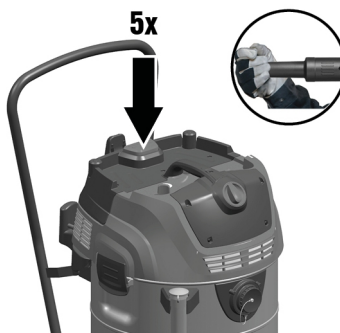
3.5 Interruptor de la herramienta

Símbolo	Significado
1	Conexión
0	Desconexión
	Interruptor de control: Limpieza de filtro manual

3.6 Utilizar la limpieza de filtro

El aspirador dispone de una limpieza de filtro manual. Para garantizar el máximo rendimiento de aspiración, utilice regularmente la limpieza de filtro.

1. Cierre el extremo de la manguera.
2. Espere hasta que se haya generado la presión negativa máxima.
3. Pulse 4-5 veces sucesivas la tecla de control .



3.7 Indicaciones de uso

Accesorios y formas de utilización

Accesorios	Número de pedido	Tipo de aplicación
Filtro de poliéster	2182582	Universal, húmedo y seco
Filtro de PTFE	2202240	Aplicaciones intensivas, húmedo y seco
Filtro HEPA	2177708	Húmedo y seco

4 Datos técnicos

4.1 Características del producto

Si se utiliza con un generador o transformador, la potencia útil debe ser al menos el doble de la potencia nominal indicada en la placa de identificación de la herramienta. La tensión de servicio del transformador o del generador debe encontrarse en todo momento entre un +5 % y un -15 % de la tensión nominal del producto.

	VC 300-20-W
Peso	63,1 lb (28,6 kg)
Dimensiones (L x An x Al)	27,6 in × 19,9 in × 39,0 in (700 mm × 505 mm × 990 mm)
Flujo volumétrico máx. (datos de turbinas)	300 CFM (2×71 ℓ/s)



	VC 300-20-W
Depresión máx.	3,0 psi (20,8 kPa)
Capacidad del depósito	20 liq. gal _{US} (75 ℓ)
Cantidad de llenado de agua	14 liq. gal _{US} (52 ℓ)
Temperatura de servicio	32 °F ... 104 °F (0 °C ... 40 °C)
Limpieza de filtro	manual
Frecuencia de red	50 Hz ... 60 Hz
Cable de conexión de red (modelo)	SJTW-A 3×14 AWG
Clase de protección	I
Tipo de protección	IPX4

5 Uso de alargadores

ADVERTENCIA

Peligro por los cables dañados. Si se daña el cable de red o el alargador durante el trabajo, evitar tocar el cable. Extraer el enchufe de red de la toma de corriente.

- ▶ Compruebe con regularidad el cable de conexión de la herramienta y, en caso de que presentara daños, encargue su sustitución a un profesional experto en la materia.
- Utilice solo el alargador autorizado con sección de cable suficiente para el campo de aplicación. De lo contrario, puede generarse una pérdida de potencia de la herramienta y un sobrecalentamiento del cable.
- Compruebe regularmente que el alargador no haya sufrido daños.
- Sustituir los alargadores dañados.
- Al trabajar al aire libre, utilice únicamente alargadores autorizados que estén correspondientemente identificados.



Al final de esta documentación encontrará, en forma de código QR, las secciones mínimas recomendadas y las longitudes máximas del cable.

6 Puesta en servicio

PELIGRO

Peligro por corriente eléctrica. Si el aspirador no se conecta como es debido puede provocar lesiones graves e incluso la muerte.

- ▶ Conecte el aspirador únicamente a tomas de corriente debidamente conectadas a tierra.

PRECAUCIÓN

Riesgo de lesiones causadas por movimientos descontrolados. Si los frenos de las ruedas no están accionados, el aspirador puede moverse de forma descontrolada.

- ▶ Accione los frenos de las ruedas para que el aspirador se mantenga seguro.

6.1 Primera puesta en servicio

1. Abra las dos pinzas de cierre.
2. Separe el cabezal de aspiración del depósito de suciedad.
3. Extraiga los accesorios del depósito de suciedad y del envoltorio.
4. Coloque el cabezal de aspiración en el depósito de suciedad y cierre las dos pinzas de cierre.
5. Asegúrese de que el cabezal de aspiración está montado correctamente y de que está bloqueado.
6. Conecte la manguera de aspiración a la herramienta.



7 Manejo



ADVERTENCIA

Riesgo de lesiones. Si se daña el sistema de filtración pueden producirse fugas de polvo dañino para la salud.

- ▶ En caso de emergencia (p. ej., si se rompe el filtro), desconecte el aspirador, extraiga el enchufe de la toma de corriente y antes de volver a utilizar el aspirador, solicite a una persona especializada que lo compruebe.



PRECAUCIÓN

Riesgo de lesiones causadas por movimientos descontrolados. Si los frenos de las ruedas no están accionados, el aspirador puede moverse de forma descontrolada.

- ▶ Accione los frenos de las ruedas para que el aspirador se mantenga seguro.

7.1 Aspiración de polvo seco



Tras aplicaciones en húmedo, sustituya el elemento filtrante por un elemento filtrante seco o nuevo.



PRECAUCIÓN

Riesgo de lesiones debido a polvos peligrosos para la salud. Si no se utiliza un elemento de filtro se pueden producir fugas de material aspirado peligroso.

- ▶ Utilice el aspirador con el elemento filtrante insertado.
1. Compruebe si el elemento filtrante está seco y sustitúyalo en caso necesario.
 2. Para aspirar, coloque el conmutador de control en **I**.

7.2 Aspiración de líquidos



PRECAUCIÓN

Riesgo de lesiones debido a polvos peligrosos para la salud. Si no se utiliza un elemento de filtro se pueden producir fugas de material aspirado peligroso.

- ▶ Utilice el aspirador con el elemento filtrante insertado.



Para aplicaciones posteriores en seco, sustituya el elemento filtrante por un elemento filtrante seco o nuevo.

1. Compruebe el control del nivel de llenado. → página 31
2. A ser posible, utilice un elemento de filtro distinto para la aplicación en húmedo.
3. Después de aspirar líquidos, abra las dos pinzas de cierre.
4. Levante el cabezal de aspiración del depósito de suciedad y colóquelo en una superficie de trabajo plana para que el elemento del filtro se seque.
5. Vacíe el depósito de suciedad y límpielo con una manguera de agua. Limpie los electrodos con un cepillo y retire los restos del elemento de filtro con la mano cuando esté seco.
6. Deje que el depósito de suciedad se seque.

7.3 Después de aspirar

1. Desconecte el producto colocando el conmutador de control en **0**.
2. Extraiga el enchufe de red de la toma de corriente.
3. Enrolle el cable de conexión y cuélguelo del gancho del cable.
4. Vacíe el depósito y limpie la herramienta con un paño húmedo.
5. Enrolle la manguera.
6. Guarde el aspirador en un lugar seco y protegido frente a posibles usos no autorizados.

7.4 Vaciado del depósito de suciedad con polvo seco

1. Extraiga el enchufe de red de la toma de corriente.



2. Levante el cabezal de aspiración del depósito de suciedad y colóquelo en una superficie de trabajo plana.
3. Sujete el depósito de suciedad por las asas previstas e inclínelo para vaciarlo.
4. Coloque el cabezal de aspiración en el depósito de suciedad y cierre las dos pinzas de cierre.

7.5 Vaciado del depósito de suciedad sin saco para polvo (con líquidos)

Tenga en cuenta la normativa local en materia de tratamiento de aguas residuales.

1. Extraiga el enchufe de red de la toma de corriente.
2. Retire la cubierta del tubo flexible de desagüe.
3. Extraiga el tubo flexible de desagüe del soporte.
4. Deje el tubo flexible de desagüe en el suelo.
 - ▶ El agua sucia se vacía.
5. Levante el cabezal de aspiración del depósito de suciedad y colóquelo en una superficie de trabajo plana.
6. Sujete el depósito de suciedad por las asas previstas e inclínelo para vaciarlo.
7. Limpie el borde del depósito de suciedad con un paño.
8. Coloque el cabezal de aspiración en el depósito de suciedad y cierre las dos pinzas de cierre.

8 Cuidado y mantenimiento

8.1 Mantenimiento de la herramienta

ADVERTENCIA

Peligro por corriente eléctrica. Las reparaciones indebidas en componentes eléctricos pueden producir lesiones graves debido a descarga eléctrica.

- ▶ Encargue la reparación de los componentes eléctricos únicamente a personal técnico cualificado.
- ▶ Mantenga la herramienta seca, limpia y libre de aceite y grasa, en especial las superficies de la empuñadura. No utilice ningún producto de limpieza que contenga silicona.
- ▶ No utilice nunca el aspirador si tiene obstruidas las rejillas de ventilación. Limpie las rejillas de ventilación cuidadosamente con un cepillo seco. Evite que se introduzcan cuerpos extraños en el interior de la herramienta.
- ▶ Limpie regularmente el exterior de la herramienta con un paño ligeramente humedecido. Para limpiarla, no utilice pulverizadores, aparatos de chorro de vapor ni agua corriente, puesto que podría verse afectada la seguridad eléctrica de la herramienta.

8.2 Inserción/cambio del elemento de filtro

1. Extraiga el enchufe de red de la toma de corriente.
2. Abra la pinza de cierre para la cubierta del filtro.
3. Abra la cubierta del filtro.
4. Extraiga cuidadosamente el elemento de filtro sujetándolo por las cavidades de agarre del soporte.
5. Limpie la superficie de la junta con un paño.
6. Introduzca el nuevo elemento de filtro.
7. Cierre la cubierta del filtro plegando hacia delante el bloqueo de la tapa.
8. Cierre la pinza de cierre para la cubierta del filtro.

8.3 Comprobación del control del nivel de llenado

1. Accione los frenos de las ruedas para que el aspirador se mantenga seguro.
2. Extraiga el enchufe de red de la toma de corriente.
3. Abra las dos pinzas de cierre.
4. Levante el cabezal de aspiración del depósito de suciedad y colóquelo en una superficie de trabajo plana.
5. Compruebe la suciedad de los contactos de desconexión y, en caso necesario, límpielos con un cepillo.
6. Compruebe si hay suciedad en la junta del cabezal de aspiración y, en tal caso, elimínela con un paño.



7. Compruebe el funcionamiento del interruptor de flotador levantándolo hacia arriba.
 - ▶ Debe percibirse claramente el movimiento de la bola en el interior del interruptor de flotador.
8. Coloque el cabezal de aspiración en el depósito de suciedad y cierre las dos pinzas de cierre.

8.4 Comprobación después de las tareas de cuidado y mantenimiento

1. Después de los trabajos de cuidado y mantenimiento, compruebe que el aspirador esté bien montado y funcione sin fallos.
2. Realice una prueba de funcionamiento.

9 Transporte y almacenamiento

9.1 Transporte

El aspirador no debe transportarse con el depósito de suciedad lleno.

El aspirador no debe colgarse de una grúa.

- ▶ En caso necesario, retire del soporte el Power Conditioner o la herramienta suelta.
- ▶ Vacíe el aspirador antes de transportarlo a otra ubicación.
- ▶ No incline el aspirador y transportelo únicamente en posición vertical cuando haya aspirado líquidos.
- ▶ Junte los dos extremos de la manguera para transportarla con ayuda del adaptador cónico.



9.2 Almacenamiento

- ▶ Guarde el aspirador en un lugar seco y protegido frente a posibles usos no autorizados.

10 Ayuda en caso de averías

Si se producen averías que no estén incluidas en esta tabla o que no pueda solucionar usted, diríjase al Servicio Técnico de **Hilti**.

10.1 Tabla de anomalías

Anomalía	Posible causa	Solución
La turbina de aspiración no funciona.	No hay alimentación de corriente.	▶ Comprobar la toma de corriente y el fusible.
	Sonda muy sucia.	▶ Compruebe el control del nivel de llenado. → página 31
La turbina de aspiración se desconecta.	Depósito lleno.	▶ Vacíe el depósito.
La turbina de aspiración no arranca después de limpiar el depósito.	Desconexión automática activa.	▶ Sitúe el interruptor de la herramienta en esta posición  0. ▶ Espere 5 segundos. ▶ Sitúe el interruptor de la herramienta en esta posición  1.
	Sonda muy sucia.	▶ Compruebe el control del nivel de llenado. → página 31
La potencia de aspiración disminuye.	La boquilla, el tubo o la manguera de aspiración, o bien el filtro, están obstruidos.	▶ Elimine la obstrucción.
	Filtro lleno.	▶ Realice una limpieza de filtro manual. ▶ Sustituya los elementos de filtro.
	Cubierta del filtro abierta	▶ Cierre la cubierta del filtro.
	Tubo flexible de desagüe no estanco	▶ Compruebe la estanqueidad del tubo flexible de desagüe.



Anomalia	Posible causa	Solución
La herramienta expulsa polvo.	Filtro mal montado.	► Compruebe que el filtro principal está correctamente instalado.
La herramienta se enciende y se apaga de forma imprevista o el usuario recibe descargas estáticas.	El aislamiento electrostático no está garantizado; la herramienta no está conectada a una toma de corriente con conexión a tierra.	► Conecte la herramienta a una toma de corriente con conexión a tierra; utilice una manguera antiestática.
La herramienta no funciona o se desconecta poco después de arrancar.	Se ha desconectado el suministro de agua.	► Limpie las sondas y el entorno de las sondas con un cepillo.
El motor no funciona.	Ha saltado el fusible de la toma de corriente de red.	► Active el fusible. ► En caso de que vuelva a saltar, investigue los motivos de la sobrecorriente.
	Depósito de suciedad lleno de líquido.	► Desconecte la herramienta y vacíe el depósito de suciedad.

11 Reciclaje

Los productos **Hilti** están fabricados en su mayor parte con materiales reutilizables. La condición para dicha reutilización es una separación adecuada de los materiales. En muchos países, **Hilti** recoge las herramientas usadas para su recuperación. Pregunte en el Servicio de Atención al Cliente de **Hilti** o a su asesor de ventas.

Lodo de perforación

El vertido de lodo de perforación sin un tratamiento previo adecuado en el agua o en un sistema canalizado puede resultar perjudicial para el medio ambiente.

- Consulte a las autoridades locales para informarse sobre la normativa actual vigente.

Recomendamos el siguiente procedimiento previo:

- Acumule el lodo de perforación (por ejemplo, con el aspirador de líquidos).
- Deje que el lodo de perforación se sedimente y evacue la parte sólida en un lugar de depósito de escombros (los agentes de floculación pueden acelerar el proceso de separación).
- Se deberá neutralizar el agua antes de conducir el agua restante (valor $\text{pH} > 7$, básico) en la canalización. Para ello, añada agente neutralizador ácido o diluya con mucha agua.

Polvo de perforación

- Elimine el polvo de perforación recogido de acuerdo con las normativas legales nacionales vigentes.

12 Garantía del fabricante

- Si tiene alguna consulta acerca de las condiciones de la garantía, póngase en contacto con su sucursal local de **Hilti**.

Manual de instruções original

1 Indicações sobre a documentação

1.1 Sobre esta documentação

- Antes da colocação em funcionamento, leia esta documentação. Esta é a condição para um trabalho seguro e um manuseamento sem problemas.
- Tenha em atenção as instruções de segurança e as advertências nesta documentação e no produto.
- Guarde o manual de instruções sempre junto do produto e entregue-o a outras pessoas apenas juntamente com este manual.



1.2 Explicação dos símbolos

1.2.1 Advertências

As advertências alertam para perigos durante a utilização do produto. São utilizadas as seguintes palavras de aviso:



PERIGO

PERIGO !

- ▶ Indica perigo iminente que pode originar acidentes pessoais graves ou até mesmo fatais.



AVISO

AVISO !

- ▶ Indica um possível perigo que pode causar graves ferimentos pessoais, até mesmo fatais.



CUIDADO

CUIDADO !

- ▶ Indica uma situação potencialmente perigosa que pode originar ferimentos corporais ou danos materiais.

1.2.2 Símbolos na documentação

Nesta documentação são utilizados os seguintes símbolos:

	Leia o manual de instruções antes da utilização
	Instruções de utilização e outras informações úteis

1.2.3 Símbolos nas figuras

Em figuras são utilizados os seguintes símbolos:

	Estes números referem-se à respectiva imagem no início deste Manual
3	A numeração reproduz uma sequência dos passos de trabalho na imagem e pode divergir dos passos de trabalho no texto
	Na figura Vista geral são utilizados números de posição que fazem referência aos números da legenda na secção Vista geral do produto
	Este símbolo pretende despertar a sua atenção durante o manuseamento do produto.

1.3 Símbolos dependentes do produto

1.3.1 Símbolos no produto

No produto são utilizados os seguintes símbolos:

	Perigo: Superfície quente
	É proibido o transporte por grua

1.4 Dados informativos sobre o produto

Os produtos **Hilti** foram concebidos para uso profissional e só podem ser utilizados, mantidos e reparados por pessoal autorizado e devidamente credenciado. Este pessoal deverá estar informado, em particular, sobre os potenciais perigos. O produto e seu equipamento auxiliar podem representar perigo se usados incorrectamente por pessoas não qualificadas ou se usados para fins diferentes daqueles para os quais foram concebidos.

A designação e o número de série são indicados na placa de características.



- ▶ Registe o número de série na tabela seguinte. Precisa dos dados do produto para colocar questões ao nosso representante ou posto de serviço de atendimento aos clientes.

Dados do produto

Aspirador de líquidos	VC 300-20-W
Geração	02
N.º de série	

2 Segurança

2.1 Normas de segurança importantes

AVISO! LEIA TODAS AS INSTRUÇÕES. O não cumprimento das instruções mencionadas a seguir pode resultar em choque eléctrico, incêndio e/ou ferimentos graves. **GUARDE BEM ESTAS INSTRUÇÕES.**

2.2 Normas gerais de segurança

Além das indicações de segurança mencionadas em cada capítulo deste manual de instruções, deve observar sempre os pontos a seguir indicados.

- ▶ **Leia todas as indicações!** A inobservância das seguintes indicações pode resultar em choque eléctrico, incêndio e/ou ferimentos pessoais.
- ▶ **Em caso de utilização do aparelho em conjunto com uma ferramenta eléctrica, leia previamente o manual de instruções da ferramenta eléctrica e tenha todas as indicações em atenção.**
- ▶ **Não é permitida a modificação ou manipulação do aparelho.**
- ▶ **Utilize o aparelho correcto. Não utilize o aparelho para fins para os quais não foi concebido, e apenas se estiver completamente operacional.**
- ▶ **Antes da realização de trabalhos com o aparelho, informe-se sobre o seu manuseamento, os perigos eventualmente decorrentes do material e a eliminação do material aspirado.**
- ▶ **Considere as influências ambientais. Não utilize o aparelho onde exista risco de incêndio ou de explosão.**
- ▶ **O aparelho só pode ser utilizado por pessoas que estão familiarizados com o mesmo, instruídas quanto à utilização segura do mesmo e perceberem os perigos daí resultantes. O aparelho não foi concebido para ser utilizado por crianças. As crianças devem ser vigiadas para assegurar que não brincam com o aparelho.**
- ▶ **Guarde os aparelhos não utilizados num local seguro. Aparelhos que não estejam a ser utilizados, devem ser guardados num local seco, alto ou fechado, fora do alcance das crianças.**

2.3 Segurança física

- ▶ **Esteja atento ao que está a fazer e tenha prudência ao trabalhar com o produto. Não utilize o aspirador se estiver cansado ou sob influência de drogas, álcool ou medicamentos.** Um momento de falta de atenção na utilização do aparelho pode originar ferimentos graves.
- ▶ **O utilizador e restantes pessoas que se encontrem na proximidade do aparelho devem usar óculos de protecção, capacete de segurança, protecção auricular, luvas de protecção e máscara de protecção respiratória durante a utilização e manutenção do aparelho.**
- ▶ **Accione os travões das rodas para um posicionamento seguro do aspirador.** Com os travões das rodas desbloqueados, o aspirador pode entrar em movimentos descontrolados.
- ▶ **Se poderem ser montados sistemas de aspiração e de recolha de pó, assegure-se de que estes estão ligados e são utilizados correctamente.** A utilização de um sistema de aspiração de pó pode reduzir os perigos relacionados com a exposição ao mesmo.

2.4 Utilização e manutenção cuidadosa do produto

- ▶ **Nunca deixe o produto sem supervisão.**
- ▶ **Proteja o produto contra congelação.**
- ▶ **Limpe o dispositivo de regulação do nível da água periodicamente com uma escova segundo as instruções e examine-o quanto a indícios de danos.**
- ▶ **Ao colocar a cabeça de aspiração, certifique-se de que não se magoa e não danifica o cabo de rede.** Existe risco de ferimentos e danos.
- ▶ **Verifique o produto e os acessórios quanto a eventuais danos. Todos os dispositivos de segurança ou quaisquer elementos ligeiramente danificados deverão ser verificados quanto**



ao seu correcto funcionamento antes da utilização. Certifique-se de que todas as peças móveis estão perfeitamente operacionais, sem encravar e sem avarias. Todas as peças devem estar correctamente montadas e preencher todos os requisitos de segurança para garantirem um funcionamento perfeito do produto.

- ▶ O seu produto só deve ser reparado por pessoal qualificado e só devem ser utilizadas peças sobresselentes originais. Desta forma é possível assegurar que a segurança do produto se mantém.
- ▶ Quando não estiver a utilizar o produto (durante os intervalos de trabalho), antes da conservação e manutenção e antes de substituir acessórios ou o filtro, retire a ficha de rede da tomada. Esta medida preventiva evita o accionamento accidental do produto.
- ▶ Nunca transporte o aparelho puxando pelo cabo de rede. Não passe com o aspirador por cima do cabo de rede.
- ▶ Não transporte o produto por meio de grua.
- ▶ Não desactive a limpeza do filtro durante a aspiração de pós nocivos, nomeadamente, na utilização com ferramentas eléctricas geradoras de pó.
- ▶ Nunca deixe o produto sem supervisão.
- ▶ Não desactive a limpeza do filtro durante a aspiração de pós nocivos, nomeadamente, na utilização com ferramentas eléctricas geradoras de pó.
- ▶ Proteja o produto contra congelação.
- ▶ Limpe o dispositivo de regulação do nível da água periodicamente com uma escova segundo as instruções e examine-o quanto a indícios de danos.
- ▶ Ao colocar a cabeça de aspiração, certifique-se de que não se magoa e não danifica o cabo de rede. Existe risco de ferimentos e danos.
- ▶ Verifique o produto e os acessórios quanto a eventuais danos. Todos os dispositivos de segurança ou quaisquer elementos ligeiramente danificados deverão ser verificados quanto ao seu correcto funcionamento antes da utilização. Certifique-se de que todas as peças móveis estão perfeitamente operacionais, sem encravar e sem avarias. Todas as peças devem estar correctamente montadas e preencher todos os requisitos de segurança para garantirem um funcionamento perfeito do produto.
- ▶ O seu produto só deve ser reparado por pessoal qualificado e só devem ser utilizadas peças sobresselentes originais. Desta forma é possível assegurar que a segurança do produto se mantém.
- ▶ Quando não estiver a utilizar o produto (durante os intervalos de trabalho), antes da conservação e manutenção e antes de substituir acessórios ou o filtro, retire a ficha de rede da tomada. Esta medida preventiva evita o accionamento accidental do produto.
- ▶ Nunca transporte o aparelho puxando pelo cabo de rede. Não passe com o aspirador por cima do cabo de rede.

2.5 Segurança eléctrica

- ▶ A ficha de ligação do aparelho deve ajustar-se à tomada. A ficha não deve ser modificada de modo algum. Não utilize quaisquer fichas de adaptação com aparelhos com ligação à terra. Fichas originais (não modificadas) e tomadas adequadas reduzem o risco de choque eléctrico.
- ▶ Ligue a ficha de rede a uma tomada adequada com ligação à terra, correctamente instalada e em conformidade com todas as disposições locais. Se estiver com dúvidas sobre se a tomada está protegida com fio terra, mande verificá-la por um electricista especializado qualificado.
- ▶ Evite o contacto do corpo com superfícies ligadas à terra, como, por exemplo, canos, radiadores, fogões e frigoríficos. Existe um risco elevado de choque eléctrico se o corpo estiver com ligação à terra.
- ▶ O aparelho não deve ser exposto a chuva nem humidade. A infiltração de água no aparelho eléctrico aumenta o risco de choques eléctricos.
- ▶ Certifique-se de que o cabo de rede não está mergulhado numa poça.
- ▶ Verifique o cabo de ligação do aparelho regularmente e se estiver danificado, mande-o substituir num Posto de Serviço de Atendimento aos Clientes Hilti. Verifique as extensões de cabo regularmente. Se estiverem danificadas, deverão ser substituídas.
- ▶ Se danificar o cabo de ligação à rede e/ou a extensão enquanto trabalha, não lhes toque. Retire a ficha de rede da tomada. Cabos de ligação à rede e extensões danificados representam um risco de choque eléctrico.
- ▶ O cabo de ligação à rede deve apenas ser substituído pelo tipo estabelecido no manual de instruções.
- ▶ Não use o cabo para transportar, arrastar ou desligar o aparelho da tomada. Mantenha o cabo afastado de calor, óleo, arestas vivas ou partes em movimento do aparelho. Cabos danificados ou emaranhados aumentam o risco de choque eléctrico.



- ▶ **Quando operar um aparelho eléctrico ao ar livre, utilize apenas cabos de extensão próprios para utilização no exterior.** A utilização de cabos de extensão próprios para exterior reduz o risco de choque eléctrico.
- ▶ **Em caso de falha eléctrica desligue o aparelho e retire a ficha de rede.**
- ▶ **Nunca utilize o carregador se este estiver sujo ou molhado.** Humidade ou sujidade na superfície da ferramenta dificultam o seu manuseio e, sob condições desfavoráveis, podem causar choques eléctricos. **Por conseguinte, se trabalha materiais condutores com frequência, recomendamos que mande verificar periodicamente a sua ferramenta por um Centro de Assistência Técnica Hilti.**

2.6 Local de trabalho

- ▶ **Assegure-se de que o local está bem iluminado.**
- ▶ **Assegure-se de que o local de trabalho está bem ventilado.** Áreas de trabalho mal ventiladas podem suscitar problemas de saúde devido à inalação de pó.
- ▶ **Mantenha o seu local de trabalho arrumado. Mantenha o local de trabalho livre de quaisquer objectos que possam provocar ferimentos.** O desleixo no local de trabalho pode causar acidentes.
- ▶ **Não opere com o aparelho em ambientes explosivos ou na proximidade de líquidos ou gases inflamáveis.** Ferramentas eléctricas produzem faíscas que podem provocar a ignição de pó e vapores.
- ▶ **Proceda com especial cuidado se efectuar trabalhos em cima de escadas.**

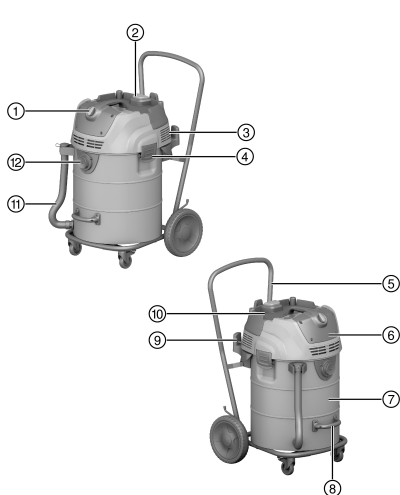
2.7 Material aspirado

- ▶ **Pós perigosos para a saúde, inflamáveis e/ou explosivos não podem ser aspirados (pó de magnésio e alumínio, etc.). Materiais, com uma temperatura superior a 60°C (140°F), não podem ser aspirados (p. ex., cigarros ardentes, cinzas quentes).**
- ▶ Antes de iniciar os trabalhos, verifique sempre a classe de perigo do pó nocivo para a saúde que poderá ser produzido durante o trabalho. Materiais nocivos para a saúde, como, p. ex., amianto e chumbo **não** fazem expressamente parte da utilização correta do produto e não podem ser processados → Página 38. Se, apesar disto, processar materiais contendo chumbo ou amianto, a garantia do fabricante para o seu produto deixa de ser válida.
- ▶ Pó produzido ao rectificar, lixar, cortar e furar pode conter produtos químicos perigosos. Alguns exemplos são: Chumbo ou tintas à base de chumbo; Tijolo, betão e outros produtos de alvenaria, pedra natural e outros produtos que contenham quartzo; Determinadas madeiras, como carvalho, faia e madeira tratada quimicamente; Amianto ou materiais contendo amianto. Determine a exposição do operador e das pessoas que se encontrem nas proximidades através da classe de perigo dos materiais a serem trabalhados. Tome as medidas necessárias para manter a exposição a um nível seguro como, por ex., a utilização de um sistema colector de pó ou o uso de uma protecção respiratória adequada. As medidas gerais para redução da exposição incluem:
 - ▶ Trabalhar num local bem ventilado,
 - ▶ Evitar o contacto prolongado com pó,
 - ▶ Afastar o pó do rosto e do corpo,
 - ▶ Usar roupa de protecção e lavar áreas expostas com água e sabão.
- ▶ **Não podem ser aspirados líquidos inflamáveis, explosivos ou cáusticos (líquidos de refrigeração e lubrificantes, gasolina, solventes, ácidos (pH < 5), lixívia (pH > 12,5), etc.).**
- ▶ **Em caso de saída de espuma ou líquidos, desligar imediatamente o aparelho.**
- ▶ **Use luvas de protecção ao aspirar materiais quentes até, no máximo, 60°C (140°F).**
- ▶ **Use vestuário de protecção e evite o contacto com a pele ao trabalhar com lama mineral resultante de perfuração (pH > 9, cáustico).**
- ▶ **Evite o contacto com líquidos alcalinos ou ácidos. No caso de contacto accidental, enxague imediatamente com água. Em caso de contacto do líquido com os olhos, lave-os abundantemente com água e procure auxílio médico.**



3 Descrição

3.1 Vista geral do produto 1



- ① Interruptor do aparelho
- ② Botão de comando **Limpeza manual do filtro**
- ③ Ranhuras de ventilação
- ④ Linguetes de segurança
- ⑤ Punho de transporte
- ⑥ Cabeça de aspiração
- ⑦ Recipiente de água e contentor
- ⑧ Pega para esvaziar o contentor
- ⑨ Gancho para cabo
- ⑩ Tampa do filtro
- ⑪ Mangueira de escoamento
- ⑫ Bocal da mangueira (mangueira de aspiração)

3.2 Utilização correcta

O produto aqui descrito é um aspirador industrial para o uso industrial. Destina-se a aplicações a húmido, mas também pode ser utilizado para trabalhos de limpeza a seco.

Não é permitido aspirar pessoas e animais com este produto. O aparelho não pode ser utilizado mergulhado.

- ▶ Antes da realização de trabalhos com o produto, informe-se sobre o manuseamento, os perigos decorrentes do material e a eliminação segura do material.
- ▶ Não utilize o produto para serviços contínuos permanentes, em linhas automáticas ou semi-automáticas.
- ▶ Utilize apenas acessórios e ferramentas originais da **Hilti**, de forma a evitar ferimentos.
- ▶ Utilize uma mangueira de aspiração antiestática de modo a evitar efeitos electrostáticos.
- ▶ Não utilize o produto em substituição de uma escada.

Os produtos aqui descritos cumprem a directiva OSHA 1926.1153, Table 1.

Este produto adequa-se para as seguintes aplicações de âmbito profissional:

- A aspiração de lama mineral resultante de perfuração com coroas diamantadas de perfuração **Hilti** ou serras diamantadas **Hilti** e material de aspiração líquido até uma temperatura < 60 °C (140 °F).
- Aspiração de óleo e meios líquidos até uma temperatura < 60 °C (140 °F).
- Limpeza a húmido e a seco de substância não nocivas para a saúde em paredes e pavimentos.

3.3 Possível uso incorrecto

- Não deve utilizar o aspirador industrial em posição horizontal.
- O aspirador industrial não pode ser utilizado para aspirar substâncias explosivas, incandescentes, ardentes ou inflamáveis (p. ex., pó de magnésio ou de alumínio) e pós agressivos (Excepção: aparas de madeira).
- O aspirador industrial não pode ser utilizado para aspirar líquidos inflamáveis (por exemplo, gasolina, solventes, ácidos, líquidos de refrigeração e lubrificantes, etc.).
- Materiais nocivos para a saúde (p. ex., pós das classes L, M e H, bem como amianto) não podem ser trabalhados.

3.4 Incluído no fornecimento

Aspirador industrial inclusive elemento filtrante, mangueira de aspiração completa com união da mangueira, kit de acessórios (bocal para pavimentos), manual de instruções



Poderá encontrar outros produtos de sistema aprovados para o seu produto na sua **Hilti Store** ou em: www.hilti.group

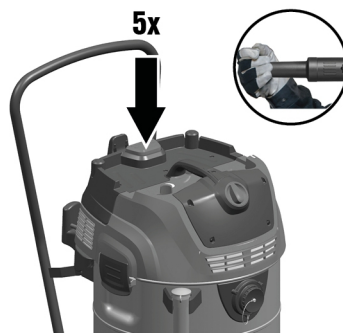
3.5 Interruptor do aparelho

Símbolo	Significado
1	Ligar
0	Desligar
	Botão de comando: Limpeza manual do filtro

3.6 Utilizar a limpeza do filtro

O aspirador dispõe de uma limpeza manual do filtro. Para obter a máxima potência de sucção, utilize regularmente a limpeza do filtro.

1. Tape a extremidade da mangueira.
2. Aguarde até que esteja formado o vácuo máximo.
3. Accione 4 a 5 vezes seguidas a tecla de comando



3.7 Instruções

Acessórios e os seus tipos de aplicação

Acessórios	Número de encomenda	Tipo de aplicação
Filtro de poliéster	2182582	universal, a húmido e a seco
Filtro PTFE	2202240	aplicações intensivas, a húmido e a seco
Filtro HEPA	2177708	a húmido e a seco

4 Características técnicas

4.1 Características do produto

Em caso de alimentação por um gerador ou transformador, a respectiva potência de saída mínima deverá corresponder ao dobro da potência nominal indicada na placa de características do aparelho. A tensão de serviço do transformador ou gerador deverá encontrar-se sempre entre +5% e -15% da tensão nominal do produto.

	VC 300-20-W
Peso	63,1 lb (28,6 kg)
Dimensões (C x L x A)	27,6 in × 19,9 in × 39,0 in (700 mm × 505 mm × 990 mm)



	VC 300-20-W
Máx. fluxo volumétrico (dados da turbina)	300 CFM (2×71 ℓ/s)
Vácuo máx.	3,0 psi (20,8 kPa)
Volume do contentor	20 liq. gal _{US} (75 ℓ)
Quantidade de enchimento de água	14 liq. gal _{US} (52 ℓ)
Temperatura de funcionamento	32 °F ... 104 °F (0 °C ... 40 °C)
Limpeza do filtro	manual
Frequência da rede	50 Hz ... 60 Hz
Ligação à rede (tipo)	SJTW-A 3×14 AWG
Classe de protecção	I
Tipo de protecção	IPX4

5 Utilização de extensões de cabo

AVISO

Perigo devido a cabo danificado! Se danificar o cabo enquanto trabalha, não lhe toque e desligue o aparelho imediatamente. Retire a ficha de rede da tomada.

- ▶ Verifique o cabo eléctrico regularmente. Se danificado, deve ser imediatamente substituído por um especialista.
- Utilize apenas cabos de extensão aprovados para o tipo de aplicação em causa e com a secção transversal adequada. A inobservância desta recomendação pode resultar numa perda de potência da ferramenta e no sobreaquecimento do cabo.
- Examine o cabo periodicamente em relação a eventuais danos.
- Substitua os cabos de extensão danificados.
- Em trabalhos de exterior, utilize apenas extensões com secção apropriada e correspondentemente indicadas.



No final desta documentação encontrará as secções de cabo mínimas e comprimentos máximos sob a forma de código QR.

6 Antes de iniciar a utilização

PERIGO

Perigo devido a corrente eléctrica. Se o aspirador não estiver devidamente ligado, a consequência podem ser a morte ou ferimentos graves.

- ▶ Ligue o aspirador apenas a uma fonte de energia com a devida ligação à terra.

CUIDADO

Risco de ferimentos devido a movimentos descontrolados! Com os travões das rodas desbloqueados, o aspirador pode entrar em movimentos descontrolados.

- ▶ Accione os travões das rodas para um posicionamento seguro do aspirador.

6.1 Antes de iniciar a utilização

1. Abra os dois linguetes de segurança.
2. Levante a cabeça de aspiração, separando-a do contentor.
3. Retire os acessórios do interior do contentor e da embalagem.
4. Coloque a cabeça de aspiração no contentor e feche os dois linguetes de segurança.
5. Certifique-se de que a cabeça de aspiração está correctamente montada e travada.
6. Ligue a mangueira de aspiração ao aparelho.



7 Utilização

AVISO

Risco de ferimentos. Danos no sistema de filtragem podem originar a saída de pó nocivo para a saúde.

- ▶ Em caso de emergência (p. ex., em caso de ruptura do filtro) desligue o aspirador, retire a ficha de rede da tomada e mande verificar o aspirador por pessoal qualificado antes de o voltar a utilizar.

CUIDADO

Risco de ferimentos devido a movimentos descontrolados! Com os travões das rodas desbloqueados, o aspirador pode entrar em movimentos descontrolados.

- ▶ Accione os travões das rodas para um posicionamento seguro do aspirador.

7.1 Aspirar pós secos



Após aplicações a húmido, troque o elemento filtrante por um elemento filtrante seco ou novo.

CUIDADO

Risco de lesão devido a pós nocivos para a saúde! Se não for utilizado um elemento filtrante, pode sair produto aspirado nocivo.

- ▶ Utilize o aspirador apenas com o elemento filtrante colocado.
1. Verifique se o elemento filtrante está seco e substitua-o caso seja necessário.
 2. Para aspirar, mova o Interruptor on/off para a posição .

7.2 Aspirar líquidos

CUIDADO

Risco de lesão devido a pós nocivos para a saúde! Se não for utilizado um elemento filtrante, pode sair produto aspirado nocivo.

- ▶ Utilize o aspirador apenas com o elemento filtrante colocado.



Para aplicações a seco subsequentes, troque o elemento filtrante por um elemento filtrante seco ou novo.

1. Verifique o controlo do nível de enchimento. → Página 42
2. Se possível, utilize um elemento filtrante separado para a aspiração a húmido.
3. Após a aspiração de líquidos, abra os linguetes de segurança.
4. Retire a cabeça de aspiração do contentor e coloque-a sobre uma superfície plana para que o elemento filtrante possa secar.
5. Esvazie o contentor e limpe-o com uma mangueira de água. Limpe os eléctrodos com uma escova e o elemento filtrante após secagem prévia com a mão.
6. Deixe o contentor secar.

7.3 Após a aspiração

1. Desligue o produto, movendo o interruptor on/off para a posição .
2. Retire a ficha de rede da tomada.
3. Enrole o cabo de ligação e pendure-o no gancho para cabo.
4. Esvazie o contentor e limpe o aparelho passando um pano húmido.
5. Enrole a mangueira.
6. Guarde o aspirador em local seco, onde não seja permitida a entrada de pessoas não autorizadas.

7.4 Esvaziar o contentor em caso de pós secos

1. Retire a ficha de rede da tomada.
2. Retire a cabeça de aspiração do contentor e coloque-a sobre uma superfície plana.



3. Segure o contentor pelas possibilidades de agarre previstas para o efeito e incline o contentor para o esvaziar.
4. Coloque a cabeça de aspiração no contentor e feche os dois linguetes de segurança.

7.5 Esvaziar o contentor sem saco colector do pó (no caso de líquidos) 2



Observe as regulamentações públicas para o tratamento de águas residuais.

1. Retire a ficha de rede da tomada.
2. Retire a cobertura da mangueira de escoamento.
3. Retire a mangueira de escoamento do suporte.
4. Pouse a mangueira de escoamento no chão.
 - ▶ A água suja escorre.
5. Retire a cabeça de aspiração do contentor e coloque-a sobre uma superfície plana.
6. Segure o contentor pelas possibilidades de agarre previstas para o efeito e incline o contentor para o esvaziar.
7. Limpe o rebordo do contentor com um pano.
8. Coloque a cabeça de aspiração no contentor e feche os dois linguetes de segurança.

8 Conservação e manutenção

8.1 Manutenção da ferramenta



AVISO

Perigo devido a corrente eléctrica! Reparações incorrectas de peças eléctricas podem dar origem a ferimentos graves devidos a choques eléctricos.

- ▶ As reparações em peças eléctricas só devem ser executadas por um electricista especializado.
- ▶ Mantenha a ferramenta, particularmente as superfícies do punho, seca, limpa e isenta de óleos e massas. Não utilize produtos de limpeza que contenham silicone.
- ▶ Nunca opere o aspirador com as saídas de ar obstruídas! Limpe as saídas de ar cuidadosamente com uma escova seca. Não deixe que substâncias externas entrem no interior do aparelho.
- ▶ Limpe regularmente o exterior do aparelho com um pano ligeiramente húmido. Para a limpeza não utilize nenhum pulverizador, aparelho de jacto a vapor ou água corrente; caso contrário a segurança eléctrica do aparelho pode ser colocada em perigo.

8.2 Colocar / substituir o elemento filtrante 3

1. Retire a ficha de rede da tomada.
2. Abra os linguetes de segurança da tampa do filtro.
3. Abra a tampa do filtro.
4. Retire cuidadosamente o elemento filtrante pelas cavidades existentes no suporte.
5. Limpe a superfície de vedação com um pano.
6. Coloque o elemento filtrante novo.
7. Feche a tampa do filtro, articulando o travamento da tampa para a frente.
8. Feche os linguetes de segurança da tampa do filtro.

8.3 Verificar o controlo do nível de enchimento 4

1. Accione os travões das rodas para um posicionamento seguro do aspirador.
2. Retire a ficha de rede da tomada.
3. Abra os dois linguetes de segurança.
4. Retire a cabeça de aspiração do contentor e coloque-a sobre uma superfície plana.
5. Verifique se os contactos de desconexão não estão sujos e, se for necessário, limpe-os com uma escova.
6. Verifique se a junta na cabeça de aspiração não está suja e, se for necessário, limpe-a com um pano.
7. Verifique o funcionamento do interruptor de bóia, elevando o interruptor de bóia para cima.
 - ▶ O movimento da esfera no interior do interruptor de bóia deve ser claramente perceptível.



8. Coloque a cabeça de aspiração no contentor e feche os dois linguetes de segurança.

8.4 Verificação do aparelho após manutenção

1. Após trabalhos de conservação e manutenção, verifique se o aspirador está correctamente montado e perfeitamente operacional.
2. Realize um teste de funcionamento.

9 Transporte e armazenamento

9.1 Transporte

O aspirador não pode ser transportado com o contentor cheio.

O aspirador não pode ser suspenso numa grua.

- ▶ Se necessário, remova o Power Conditioner ou ferramentas soltas do suporte.
- ▶ Esvazie o aspirador antes de o transportar para um outro local.
- ▶ Não incline o aspirador e transporte o aspirador apenas na vertical, caso tenha aspirado líquidos.
- ▶ Para transportar o aspirador, pode, com ajuda do adaptador cónico, encaixar as extremidades da mangueira uma na outra.

9.2 Armazenamento

- ▶ Guarde o aspirador em local seco, onde não seja permitida a entrada de pessoas não autorizadas.

10 Ajuda em caso de avarias

No caso de avarias que não sejam mencionadas nesta tabela ou se não conseguir resolvê-las por si mesmo, contacte o nosso Centro de Assistência Técnica **Hilti**.

10.1 Tabela de avarias

Avaria	Causa possível	Solução
A turbina de sucção não funciona.	Sem alimentação.	▶ Verificar a tomada e o fusível.
	Sonda muito suja.	▶ Verifique o controlo do nível de enchimento. → Página 42
A turbina de sucção desliga-se.	O contentor está cheio.	▶ Esvazie o contentor.
A turbina de sucção não aranca após a limpeza do contentor.	Função de desactivação automática activa.	▶ Comute o interruptor do aparelho para esta posição 0 .
		▶ Aguarde 5 segundos.
	Sonda muito suja.	▶ Comute o interruptor do aparelho para esta posição 1 .
A potência de sucção diminui.	Sonda muito suja.	▶ Verifique o controlo do nível de enchimento. → Página 42
	O bocal de aspiração, o tubo de aspiração, a mangueira de aspiração ou o filtro estão obstruídos.	▶ Remova a obstrução.
	Filtro cheio.	▶ Realize uma limpeza manual do filtro.
		▶ Substitua os elementos filtrantes.
	Cobertura do filtro aberta	▶ Feche a cobertura do filtro.
	Mangueira de escoamento não estanque	▶ Verifique a mangueira de escoamento em relação a fugas.
Pó é expelido pelo aparelho.	Filtro não montado correctamente.	▶ Verifique a montagem correcta do filtro principal.



Avaria	Causa possível	Solução
O aparelho liga e desliga inesperadamente, ou o utilizador recebe uma descarga electrostática.	A carga electrostática não é dissipada, o aparelho está ligado a uma tomada sem ligação à terra.	▶ Ligue o aparelho a uma tomada com ligação à terra, utilize uma mangueira antiestática.
O aparelho não arranca ou desliga-se pouco depois de arrancar.	Válvula da água está activada.	▶ Limpe as sondas e a área à volta das mesmas com uma escova.
O motor deixou de funcionar.	Fusível do quadro eléctrico disparou.	▶ Ligue o fusível. ▶ Se o fusível voltar a disparar, procure a causa para o excesso de corrente.
	Contentor cheio de líquido.	▶ Desligue o aparelho e esvazie o contentor.

11 Reciclagem

Os produtos **Hilti** são, em grande parte, fabricados com materiais recicláveis. Um pré-requisito para a reciclagem é que esses materiais sejam devidamente separados. Em muitos países, a **Hilti** aceita o seu aparelho usado para reutilização. Para mais informações dirija-se ao Serviço de Clientes **Hilti** local ou ao seu vendedor.

Lama resultante de perfuração

Em termos ambientais, não é permitido que a lama resultante da perfuração atinja os rios, lagos ou os sistemas de esgotos sem que haja um pré-tratamento.

- ▶ Consulte as normas locais no que se refere a este assunto.

Recomendamos o seguinte pré-tratamento:

- ▶ Recolha a lama resultante da perfuração (utilizando, por exemplo, um aspirador de líquidos).
- ▶ Deixe sedimentar a lama resultante da perfuração e recicle esses resíduos sólidos de forma apropriada (a adição de um agente de floculação pode acelerar o processo de sedimentação).
- ▶ A água resultante dessa lama (alcalina, pH > 7) deve ser neutralizada adicionando-lhe um ácido neutralizador ou uma grande quantidade de água, antes que esta atinja o sistema de drenagem.

Pó resultante da perfuração

- ▶ Elimine o pó acumulado resultante da perfuração de acordo com as regulamentações legais, nacionais em vigor.

12 Garantia do fabricante

- ▶ Se tiver dúvidas em relação às condições de garantia, contacte o seu parceiro **Hilti** local.



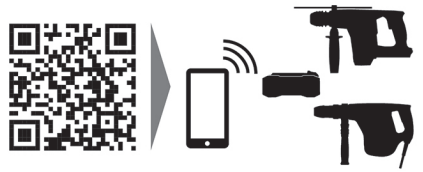








Hilti Corporation
LI-9494 Schaan
Tel.:+423 234 21 11
Fax:+423 234 29 65
www.hilti.com



2333434