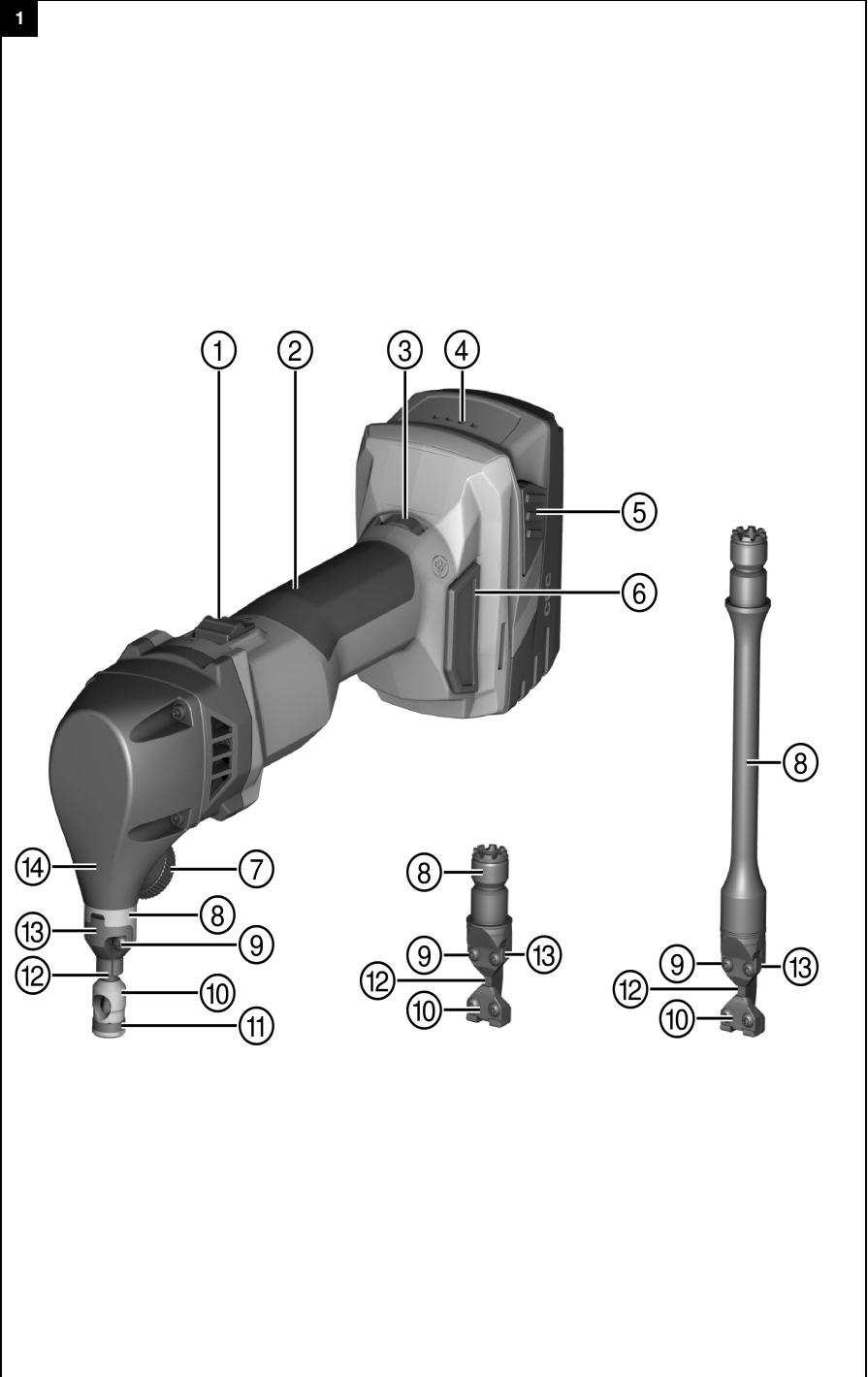
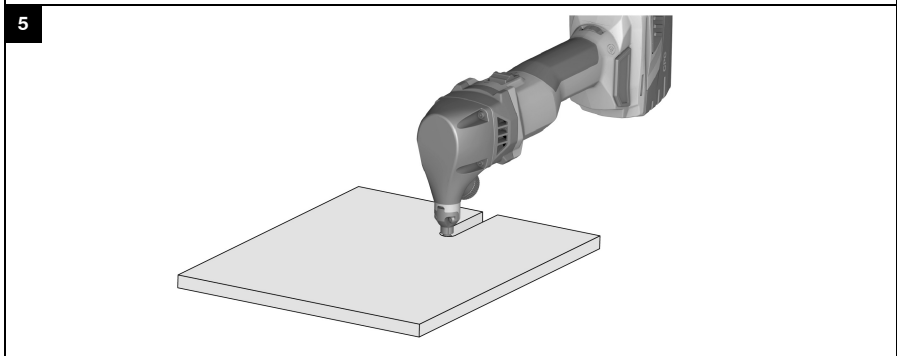
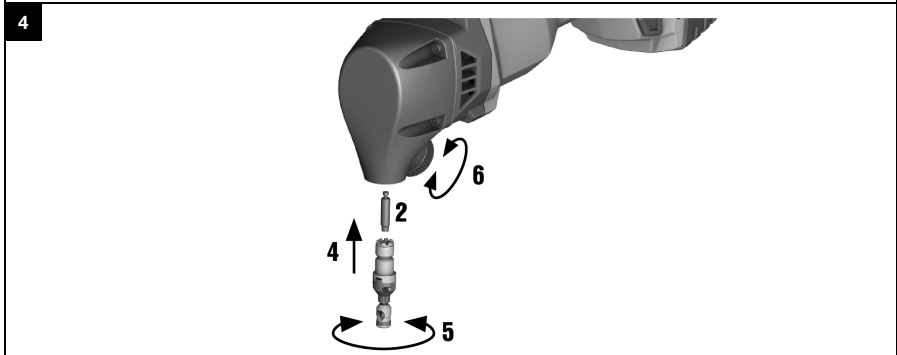
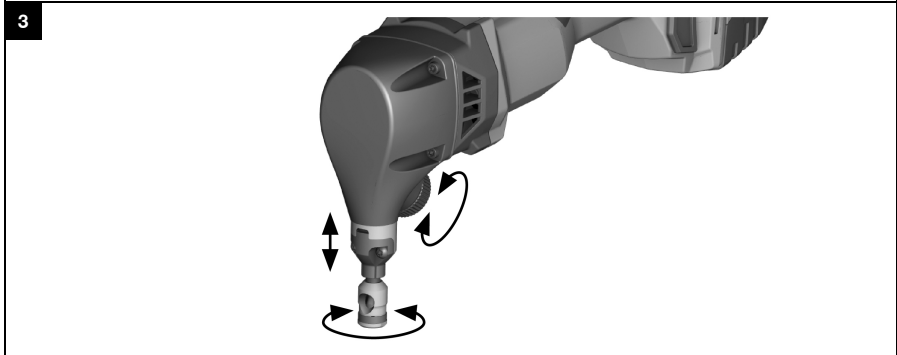
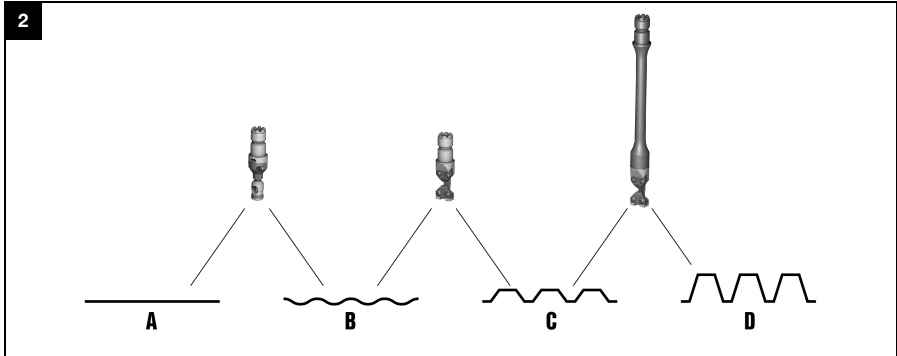


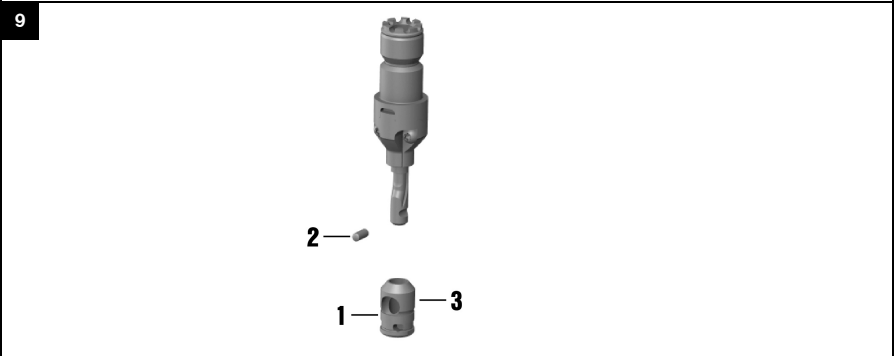
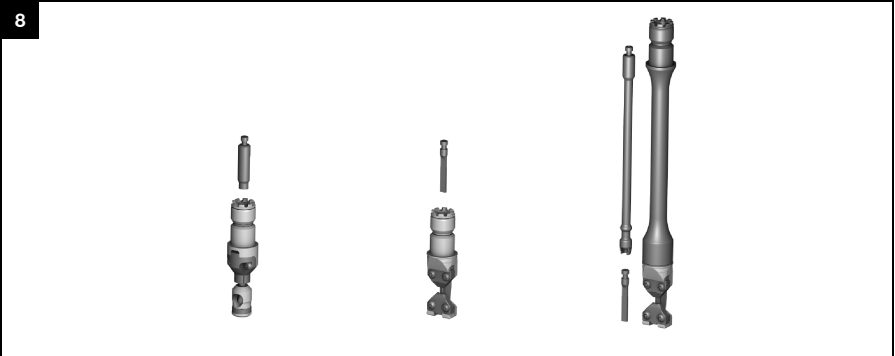
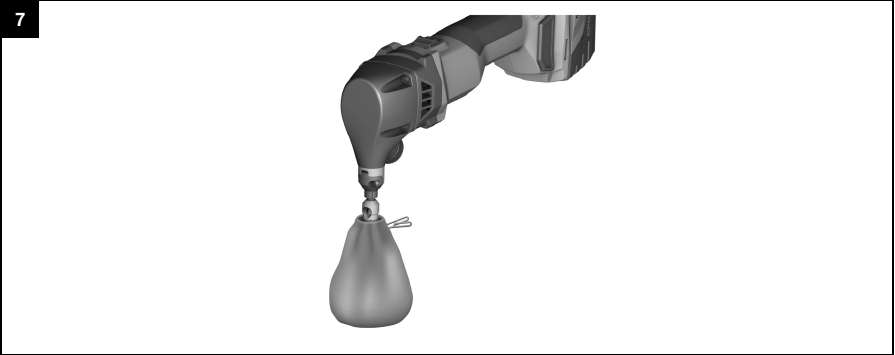
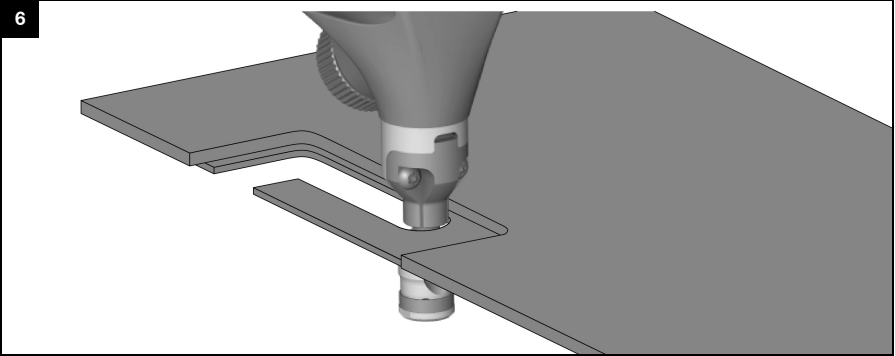


SPN 6-A22

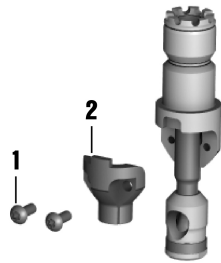
English	1
Français	12
Español	25
Português	37



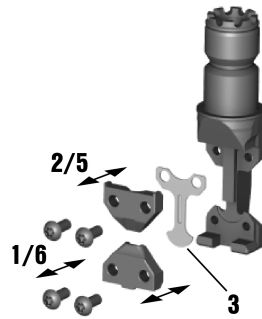




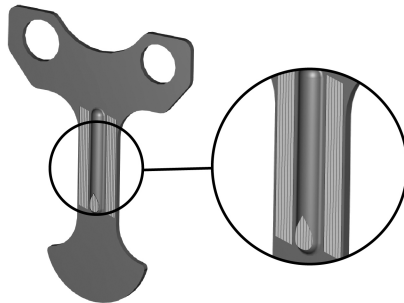
10



11



12



SPN 6-A22

en	Original operating instructions	1
fr	Notice d'utilisation originale	12
es	Manual de instrucciones original	25
pt	Manual de instruções original	37

Original operating instructions

1 Information about the documentation

1.1 About this documentation

- Read this documentation before initial operation or use. This is a prerequisite for safe, trouble-free handling and use of the product.
- Observe the safety instructions and warnings in this documentation and on the product.
- Always keep the operating instructions with the product and make sure that the operating instructions are with the product when it is given to other persons.

1.2 Explanation of symbols used

1.2.1 Warnings

Warnings alert persons to hazards that occur when handling or using the product. The following signal words are used:

DANGER

DANGER !

- ▶ Draws attention to imminent danger that will lead to serious personal injury or fatality.

WARNING

WARNING !

- ▶ Draws attention to a potential threat of danger that can lead to serious injury or fatality.





CAUTION

CAUTION !

- ▶ Draws attention to a potentially dangerous situation that could lead to slight personal injury or damage to the equipment or other property.


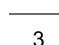
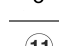

1.2.2 Symbols in the documentation

The following symbols are used in this document:

	Read the operating instructions before use.
	Instructions for use and other useful information
	Dealing with recyclable materials
	Do not dispose of electric equipment and batteries as household waste

1.2.3 Symbols in the illustrations

The following symbols are used in illustrations:

	These numbers refer to the corresponding illustrations found at the beginning of these operating instructions
	The numbering reflects the sequence of operations shown in the illustrations and may deviate from the steps described in the text
	Item reference numbers are used in the overview illustrations and refer to the numbers used in the product overview section
	This symbol is intended to draw special attention to certain points when handling the product.












1.3 Product-dependent symbols

1.3.1 Symbols on the product

The following symbols can be used on the product:

	The product supports wireless data transmission compatible with iOS and Android platforms.
	Hilti Li-ion battery type series used. Observe the information given in the section headed Intended use.
	Never use the battery as a striking tool.
	Do not drop the battery. Never use a battery that has suffered an impact or is damaged in any other way.
Li-Ion	Li-ion battery
	Direct current (DC)
	Wear eye protection

1.4 Product information

 products are designed for professional users and only trained, authorized personnel are permitted to operate, service and maintain the products. This personnel must be specifically informed about the possible hazards. The product and its ancillary equipment can present hazards if used incorrectly by untrained personnel or if used not in accordance with the intended use.

The type designation and serial number are printed on the rating plate.

- ▶ Write down the serial number in the table below. You will be required to state the product details when contacting Hilti Service or your local Hilti organization to inquire about the product.

Product information

Nibbler	SPN 6-A22
Generation:	01
Serial no.:	

1.5 Declaration of conformity

We declare, on our sole responsibility, that the product described here complies with the applicable directives and standards. A copy of the declaration issued by the certification department can be found at the end of this documentation.

The technical documentation is filed here:

Hilti Entwicklungsgesellschaft mbH | Tool Certification | Hiltistrasse 6 | 86916 Kaufering, Germany

2 Safety

2.1 General power tool safety warnings

⚠ WARNING Read all safety warnings, instructions, illustrations and specifications provided with this power tool. Failure to follow all instructions listed below may result in electric shock, fire and/or serious injury.

Save all warnings and instructions for future reference.

The term "power tool" in the warnings refers to your mains-operated (corded) power tool or battery-operated (cordless) power tool.

Work area safety

- ▶ **Keep work area clean and well lit.** Cluttered or dark areas invite accidents.
- ▶ **Do not operate power tools in explosive atmospheres, such as in the presence of flammable liquids, gases or dust.** Power tools create sparks which may ignite the dust or fumes.
- ▶ **Keep children and bystanders away while operating a power tool.** Distractions can cause you to lose control.



Electrical safety

- ▶ **Power tool plugs must match the outlet. Never modify the plug in any way. Do not use any adapter plugs with earthed (grounded) power tools.** Unmodified plugs and matching outlets will reduce risk of electric shock.
- ▶ **Avoid body contact with earthed or grounded surfaces, such as pipes, radiators, ranges and refrigerators.** There is an increased risk of electric shock if your body is earthed or grounded.
- ▶ **Do not expose power tools to rain or wet conditions.** Water entering a power tool will increase the risk of electric shock.
- ▶ **Do not abuse the cord. Never use the cord for carrying, pulling or unplugging the power tool. Keep cord away from heat, oil, sharp edges or moving parts.** Damaged or entangled cords increase the risk of electric shock.
- ▶ **When operating a power tool outdoors, use an extension cord suitable for outdoor use.** Use of a cord suitable for outdoor use reduces the risk of electric shock.
- ▶ **If operating a power tool in a damp location is unavoidable, use a residual current device (RCD) protected supply.** Use of an RCD reduces the risk of electric shock.

Personal safety

- ▶ **Stay alert, watch what you are doing and use common sense when operating a power tool. Do not use a power tool while you are tired or under the influence of drugs, alcohol or medication.** A moment of inattention while operating power tools may result in serious personal injury.
- ▶ **Use personal protective equipment. Always wear eye protection.** Protective equipment such as a dust mask, non-skid safety shoes, hard hat or hearing protection used for appropriate conditions will reduce personal injuries.
- ▶ **Prevent unintentional starting. Ensure the switch is in the off-position before connecting to power source and/or battery pack, picking up or carrying the tool.** Carrying power tools with your finger on the switch or energising power tools that have the switch on invites accidents.
- ▶ **Remove any adjusting key or wrench before turning the power tool on.** A wrench or a key left attached to a rotating part of the power tool may result in personal injury.
- ▶ **Do not overreach. Keep proper footing and balance at all times.** This enables better control of the power tool in unexpected situations.
- ▶ **Dress properly. Do not wear loose clothing or jewellery. Keep your hair, clothing and gloves away from moving parts.** Loose clothes, jewellery or long hair can be caught in moving parts.
- ▶ **If devices are provided for the connection of dust extraction and collection facilities, ensure these are connected and properly used.** Use of dust collection can reduce dust-related hazards.
- ▶ **Do not let familiarity gained from frequent use of tools allow you to become complacent and ignore tool safety principles.** A careless action can cause severe injury within a fraction of a second.

Power tool use and care

- ▶ **Do not force the power tool. Use the correct power tool for your application.** The correct power tool will do the job better and safer at the rate for which it was designed.
- ▶ **Do not use the power tool if the switch does not turn it on and off.** Any power tool that cannot be controlled with the switch is dangerous and must be repaired.
- ▶ **Disconnect the plug from the power source and/or remove the battery pack, if detachable, from the power tool before making any adjustments, changing accessories, or storing power tools.** Such preventive safety measures reduce the risk of starting the power tool accidentally.
- ▶ **Store idle power tools out of the reach of children and do not allow persons unfamiliar with the power tool or these instructions to operate the power tool.** Power tools are dangerous in the hands of untrained users.
- ▶ **Maintain power tools and accessories. Check for misalignment or binding of moving parts, breakage of parts and any other condition that may affect the power tool's operation. If damaged, have the power tool repaired before use.** Many accidents are caused by poorly maintained power tools.
- ▶ **Keep cutting tools sharp and clean.** Properly maintained cutting tools with sharp cutting edges are less likely to bind and are easier to control.
- ▶ **Use the power tool, accessories and tool bits etc. in accordance with these instructions, taking into account the working conditions and the work to be performed.** Use of the power tool for operations different from those intended could result in a hazardous situation.
- ▶ **Keep handles and grasping surfaces dry, clean and free from oil and grease.** Slippery handles and grasping surfaces do not allow for safe handling and control of the tool in unexpected situations.





Battery tool use and care

- ▶ **Recharge only with the charger specified by the manufacturer.** A charger that is suitable for one type of battery pack may create a risk of fire when used with another battery pack.
- ▶ **Use power tools only with specifically designated battery packs.** Use of any other battery packs may create a risk of injury and fire.
- ▶ **When battery pack is not in use, keep it away from other metal objects, like paper clips, coins, keys, nails, screws or other small metal objects, that can make a connection from one terminal to another.** Shorting the battery terminals together may cause burns or a fire.
- ▶ **Under abusive conditions, liquid may be ejected from the battery; avoid contact. If contact accidentally occurs, flush with water. If liquid contacts eyes, additionally seek medical help.** Liquid ejected from the battery may cause irritation or burns.
- ▶ **Do not use a battery pack or tool that is damaged or modified.** Damaged or modified batteries may exhibit unpredictable behaviour resulting in fire, explosion or risk of injury.
- ▶ **Do not expose a battery pack or tool to fire or excessive temperature.** Exposure to fire or temperature above 130° C (265 °F) may cause explosion.
- ▶ **Follow all charging instructions and do not charge the battery pack or tool outside the temperature range specified in the instructions.** Charging improperly or at temperatures outside the specified range may damage the battery and increase the risk of fire.

Service

- ▶ **Have your power tool serviced by a qualified repair person using only identical replacement parts.** This will ensure that the safety of the power tool is maintained.
- ▶ **Never service damaged battery packs.** Service of battery packs should only be performed by the manufacturer or authorized service providers.

2.2 Battery use and care

- ▶ Observe the special regulations and instructions applicable to the transport, storage and use of Li-ion batteries.
- ▶ Do not expose batteries to high temperatures, direct sunlight or fire.
- ▶ Do not disassemble, crush or incinerate batteries and do not subject them to temperatures over 80 °C.
- ▶ Do not use or charge batteries that have suffered mechanical impact, have been dropped from a height or show signs of damage. In this case, always contact your **Hilti Service**.
- ▶ If the battery is too hot to touch it may be defective. In this case, place the product in a non-flammable location, well away from flammable materials, where it can be kept under observation and allowed to cool down. In this case, always contact your **Hilti Service**.

2.3 Additional safety instructions

Personal safety

- ▶ Wear protective gloves when working with the product. The accessory tool runs hot when in use and there is a risk of burn injury. The cut edges and metal swarf are sharp-edged and there is a risk of cut injuries.
- ▶ Take breaks between working and do relaxation and finger exercises to improve the blood circulation in your fingers.
- ▶ Wear ear protectors. Exposure to noise can cause hearing loss.
- ▶ Do not work overhead with the product.

Electrical safety

- ▶ Have dirtied or dusty power tools that are used frequently for working on conductive materials checked at regular intervals by Hilti Service. Dust (especially dust from conductive materials) or dampness on the surface of the power tool can, under unfavorable conditions, lead to electric shock.
- ▶ Clean the ventilation slots on the power tool at regular intervals. The motor's fan will draw dust inside the housing and an excessive accumulation of metal dust may cause electrical hazards.
- ▶ Before beginning work, check the working area (e.g. using a metal detector) to ensure that no concealed electric cables or gas and water pipes are present. External metal parts of the tool may become live, for example, if an electric power line is damaged accidentally.
- ▶ Do not attempt to cut workpieces that could be electrically live.

Work area safety

- ▶ Keep the work area clean and tidy. Metal swarf is sharp and can scratch the floor surface.

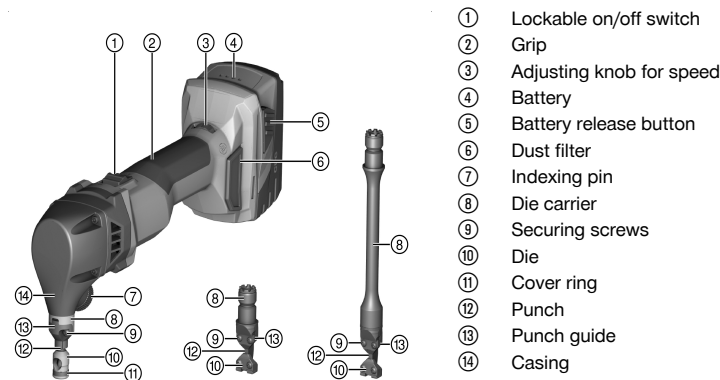


Careful handling and use of electric tools

- ▶ Make sure that there is no swarf or dirt on the product. When working, make sure that no swarf makes its way into the area of the on/off switch. The swarf could block the on/off switch, rendering it impossible to switch the product off.

3 Description

3.1 Product overview



3.2 Intended use

The product described is a hand-held cordless nibbler. It is designed for cutting sheet-like workpieces out of punchable materials such as steel, aluminum, non-ferrous metal and plastic, for nibbling straight or curved outside edges and cut-outs and for nibbling along marked lines of cut. The nibbling process produces distortion-free cut edges. Other applications are possible as well, depending on the accessory tool used.

SPN-CN: This accessory tool is also designed for cutting pipes, nibbling corrugated metal and nibbling with a template. The hollow round punch enables the nibbler to be rotated about its own axis so that nibbling can proceed in any direction.

Optional: SPN-RN and SPN-RL: These accessory tools are also designed for cutting sheet metal profiles such as trapezoidal sheet metal, corrugated sheet metal, box-section sheet metal and angled moldings.

- ▶ Use only **Hilti** Li-ion batteries of the B 22 series with this product.
- ▶ Use only **Hilti** battery chargers of the C4/36 series for charging these batteries.

3.3 Items supplied

Nibbler, Torx wrench, operating instructions

To help ensure safe and reliable operation, use only genuine Hilti spare parts and consumables. Spare parts, consumables and accessories approved by Hilti for use with the product can be found at your local **Hilti Store** or online at: www.hilti.group

Before being dispatched, the product was tested to ensure that it is in full working order. There workpiece used in testing might have left tiny scratches in the surface of the housing.

3.4 Temperature-dependent motor protection

The temperature-dependent motor protection system monitors current input and motor temperature and thus prevents the power tool overheating.

If the motor is overloaded through application of excessive working pressure, the power tool's performance drops noticeably or it may stall completely.

If the power tool stalls or slows significantly due to overloading, release the pressure applied to the tool and then allow it to run under no load for approx. 30 seconds.



2253587

English

5



3.5 Li-ion battery charge status display

The charge status of the Li-ion battery is displayed after one of the two battery release buttons is pressed.

Status	Meaning
4 LEDs light.	Charge status: 75 % to 100 %
3 LEDs light.	Charge status: 50 % to 75 %
2 LEDs light.	Charge status: 25 % to 50 %
1 LED lights up.	Charge status: 10 % to 25 %
1 LED flashes.	Charge status: < 10 %

i Indication of the charge status is not possible while the power tool is in operation or immediately after operation. If the battery charge status LEDs flash, please refer to the information given in the Troubleshooting section.

4 Technical data

The nibbler comes with the SPN-CN accessory tool as standard. The SPN-RN and SPN-RL accessory tools are available as optional accessories.

	SPN-CN	SPN-RN	SPN-RL
Rated voltage	21.6 V	21.6 V	21.6 V
Weight including battery B22&8.0	3.1 kg (6.8 lb)	3.0 kg (6.6 lb)	3.3 kg (7.3 lb)
Stroke rate at idle speed	620 /min ... 1,370 /min	620 /min ... 1,370 /min	620 /min ... 1,370 /min
Starting hole diameter	17 mm (0.7 in)	24 mm (0.9 in)	24 mm (0.9 in)
Smallest radius for curved cut-outs	4.0 mm (0.16 in)	•/•	•/•
Radius	•/•	50 mm (2.0 in)	50 mm (2.0 in)
Cutting track width	8.0 mm (0.31 in)	5.0 mm (0.20 in)	5.0 mm (0.20 in)
Permissible steel thickness, steel up to 400 N/mm²	2.0 mm / 14 ga (0.08 in / 14 ga)	2.0 mm / 14 ga (0.08 in / 14 ga)	2.0 mm / 14 ga (0.08 in / 14 ga)
Permissible steel thickness, steel up to 600 N/mm²	1.5 mm / 16 ga (0.06 in / 16 ga)	1.5 mm / 16 ga (0.06 in / 16 ga)	1.5 mm / 16 ga (0.06 in / 16 ga)
Permissible steel thickness, steel up to 800 N/mm²	1.0 mm / 20 ga (0.04 in / 20 ga)	1.0 mm / 20 ga (0.04 in / 20 ga)	1.0 mm / 20 ga (0.04 in / 20 ga)
Permissible material thickness, aluminum up to 250 N/mm²	2.5 mm / 10 ga (0.10 in / 10 ga)	3.0 mm / 9 ga (0.12 in / 9 ga)	3.0 mm / 9 ga (0.12 in / 9 ga)
Ambient temperature for operation	-17 °C ... 60 °C (1 °F ... 140 °F)	-17 °C ... 60 °C (1 °F ... 140 °F)	-17 °C ... 60 °C (1 °F ... 140 °F)
Storage temperature	-20 °C ... 70 °C (-4 °F ... 158 °F)	-20 °C ... 70 °C (-4 °F ... 158 °F)	-20 °C ... 70 °C (-4 °F ... 158 °F)

4.1 Battery

Battery operating voltage	21.6 V
Ambient temperature for operation	-17 °C ... 60 °C (1 °F ... 140 °F)



Storage temperature	-20 °C ... 40 °C (-4 °F ... 104 °F)
Battery charging starting temperature	-10 °C ... 45 °C (14 °F ... 113 °F)

5 Preparations at the workplace

CAUTION

Risk of injury by inadvertent starting!

- ▶ Before inserting the battery, make sure that the product is switched off.
- ▶ Remove the battery before making any adjustments to the power tool or before changing accessories.

Observe the safety instructions and warnings in this documentation and on the product.

5.1 Charging the battery

1. Before charging the battery, read the operating instructions for the charger.
2. Make sure that the contacts on the battery and the contacts on the charger are clean and dry.
3. Use an approved charger to charge the battery.

5.2 Inserting the battery

CAUTION

Risk of injury by short circuit or falling battery!

- ▶ Before inserting the battery, make sure that the contacts on the battery and the contacts on the product are free of foreign matter.
- ▶ Make sure that the battery always engages correctly.

1. Charge the battery fully before using it for the first time.
2. Push the battery into the battery holder until it engages with an audible click.
3. Check that the battery is seated securely.

5.3 Removing the battery

1. Press the battery release buttons.
2. Remove the battery from the tool.

5.4 Accessory tools

See the illustration for the correct combination of accessory tool and material to be worked.

Explanation of the materials to be worked:

- A: Flat sheet metal
- B: Corrugated sheet metal
- C: Trapezoidal sheet metal (profile depth max. 85 mm)
- D: Trapezoidal sheet metal (profile depth max. 162 mm)

To make burr-free cuts in sheet metal up to 1 mm thick with the SPN-RN and SPN-RL accessory tools, the P1 die can be used. The smaller cutting clearance reduces the tendency for burrs to form along the cut.

5.5 Removing the accessory tool

1. Back off the indexing pin six full turns counter-clockwise.
2. Remove the accessory tool from the housing.

5.6 Installing the accessory tool

1. Grease the punch guide.
2. Engage the punch in the groove of the pushrod.
3. Hold the accessory tool with the cutting direction facing forward.
4. With the cutting direction facing forward, insert the accessory tool into the housing.



2253587



5. Then turn the accessory tool to the desired cutting direction.
6. Turn the indexing pin clockwise and tighten it until hand-tight.
 - ↳ Make sure there is no gap between the housing and the die carrier.

5.7 Setting the cutting direction

If necessary, the cutting direction can be turned right or left in steps of 45°. This makes cutting profiled sheets easier and it also enables you to set the nibbler for right-hand or left-hand operation.

1. Back off the indexing pin about three full turns counter-clockwise until it no longer indexes.
2. Pull the accessory tool slightly out of the housing and turn it in the desired direction.
 - ↳ There are eight possible indexed positions.
3. With the accessory tool in the desired indexed position, press it back into the housing.
4. Turn the indexing pin clockwise and tighten it until hand-tight.
 - ↳ Make sure there is no gap between the housing and the die carrier.

5.8 Adjusting the stroke rate

- ▶ Set the stroke rate by turning the adjusting knob for motor speed.

6 Operation

Observe the safety instructions and warnings in this documentation and on the product.

6.1 Switching on

1. Press the rear section of the on/off switch.
2. Slide the on/off switch forward.
 - ↳ The motor runs.
3. Lock the on/off switch.

6.2 Cutting

WARNING

Caution Nibbler overloaded due to blunt accessory tools.

- ▶ At regular intervals, check the cutting edge of the punch for wear. Change the punch in good time to minimize the load on the nibbler.

1. Lightly coat the intended line of the cut with oil to extend the usable life of the punch and improve the result of the cutting operation.
2. Switch the tool on. → page 8
3. Wait until the tool reaches full speed and bring the nibbler into contact with the workpiece.
 - ↳ When making a cut-out in a sheet, first cut a starting hole of appropriate size for the accessory tool you are going to use.
4. Cut along the desired line of cut.
5. When you reach the end of the cut, switch the product off. If the line of cut ends in the workpiece, with the product still switched on pull it a few millimeters back along the line of the cut before switching it off.



Do not lay the nibbler down in the swarf before it has come to a complete stop. Pieces of swarf could be sucked in by the motor.



6.3 Cutting with template

Option: SPN-CN

The requirements for cutting with a template are as follows:

- The template must be 5 - 7 mm thick.
- The contour of the template must be 2.5 mm distant from the contour of the cut.
- Note that the minimum radius is 4 mm. Accordingly, the minimum radius of the template is 6.5 mm.
- Guide the nibbler in such a way that the outside edge of the punch guide is always in contact with the template.

6.4 Switching off

- ▶ Press the rear section of the on/off switch.
 - ↳ The on/off switch jumps into the off position and the motor stops.

7 Optional accessories

7.1 Installing the swarf bag

Option: SPN-CN

A swarf bag can be installed to catch the pieces of swarf produced by the cutting operation so that they cannot scatter.

1. Squeeze the two ends of the spring in the swarf bag together.
2. Hook the spring round the bottom end of the die and release the ends of the spring.
3. Check that the spring and the swarf bag are correctly seated and secure.

8 Care and maintenance

WARNING

Risk of injury with battery inserted !

- ▶ Always remove the battery before carrying out care and maintenance tasks!

Care and maintenance of the tool

- Carefully remove any dirt that may be adhering to parts.
- Remove the dust filter and clean it and the air vents carefully, using a dry brush.
- Use only a slightly damp cloth to clean the casing. Do not use cleaning agents containing silicone as these can attack the plastic parts.

Care of the lithium-ion batteries

- Keep the battery free from oil and grease.
- Use only a slightly damp cloth to clean the casing. Do not use cleaning agents containing silicone as these may attack the plastic parts.
- Avoid ingress of moisture.

Maintenance

- Check all visible parts and controls for signs of damage at regular intervals and make sure that they all function correctly.
- Do not operate the product if signs of damage are found or if parts malfunction. Have it repaired immediately by **Hilti Service**.
- After cleaning and maintenance, fit all guards or protective devices and check that they function correctly.



To help ensure safe and reliable operation, use only genuine Hilti spare parts and consumables. Spare parts, consumables and accessories approved by Hilti for use with the product can be found at your local **Hilti Store** or online at: www.hilti.group.



2253587

English

9



8.1 Changing the punch 9

i When changing the punch, also check for wear of the die, punch guide and wear plate (not SPN-CN) and change these components as well, if they are worn.

1. Remove the accessory tool. → page 7
2. Remove the worn punch from the accessory tool.
3. Grease the new punch and also the punch guide in the accessory tool.
4. If the following equipment exists, also take this action:

Option: SPN-RL

- ▶ Insert the pushrod extension between the pushrod and the punch and grease it.

5. Install the accessory tool. → page 7

8.2 Changing the die 9

Option: SPN-CN

1. Push the cover ring up and out of the groove.
2. Use a suitable punch to push the straight pin out of the hole.
3. Disengage the die from the carrier pin.
4. Position the new die on the carrier pin.
5. Reinstall the straight pin.
6. Push the cover ring down into the groove and check that it is correctly seated.

8.3 Changing the punch guide 10

Option: SPN-CN

⚠ CAUTION

Risk of damage to product and cutting tools!

- ▶ Clean the threads before installing the securing screws.
- ▶ Always use the new securing screws supplied and tighten the screws to the specified tightening torque.

1. Remove the die. → page 10
2. Remove the securing screws.
3. Lift off the punch guide.
4. Place the new punch guide in position.
5. Insert the securing screws and tighten them to the specified torque.

Technical data

Tightening torque	3 Nm (2 ftlb)
-------------------	------------------

6. Reinstall the die.

8.4 Checking die, punch guide and wear plate 11, 12

Option: SPN-RN
OR SPN-RL

⚠ CAUTION

Risk of damage to product and cutting tools!

- ▶ Clean the threads before installing the securing screws.
- ▶ Always use the new securing screws supplied and tighten the screws to the specified tightening torque.

1. Remove the securing screws.
2. Remove the punch guide and the die.



3. Check the wear plate for signs of wear.

Result

If clear signs of wear are visible:

- ▶ Remove the wear plate and install a new replacement.
4. Clean the contact surfaces of the die bearing.
 5. Use the pins to center the punch guide and the die.
 6. Reinstall the securing screws and tighten until hand-tight.
 7. Grease the guide surfaces of the punch guide.
 8. Tighten the securing screws to the specified torque in diagonally opposite sequence.

Technical data	
Tightening torque	3 Nm (2 ftlb)

9 Transport and storage of cordless tools

Transport



Accidental starting during transport !

- ▶ Always transport your products with the batteries removed!
- ▶ Remove the battery.
- ▶ Never transport batteries in bulk form (loose, unprotected).
- ▶ Check the tool and batteries for damage before use after long periods of transport.

Storage



Accidental damage caused by defective or leaking batteries !

- ▶ Always store your products with the batteries removed!
- ▶ Store the tool and batteries in a place that is as cool and dry as possible.
- ▶ Never store batteries in direct sunlight, on heating units or behind a window pane.
- ▶ Store the tool and batteries in a place where they cannot be accessed by children or unauthorized persons.
- ▶ Check the tool and batteries for damage before use after long periods of storage.

10 Troubleshooting

If the trouble you are experiencing is not listed in this table or you are unable to remedy the problem by yourself, please contact **Hilti** Service.

10.1 Troubleshooting


Trouble or fault	Possible cause	Action to be taken
The battery runs down more quickly than usual.	Very low ambient temperature.	▶ Allow the battery to warm up slowly to room temperature.
The battery does not engage with an audible click.	The retaining lugs on the battery are dirty.	▶ Clean the retaining lugs and refit the battery.
1 LED flashes. The power tool does not work.	Low battery.	▶ Change the battery and charge the empty battery.
	The battery is too hot or too cold.	▶ Allow the battery to cool down or warm up slowly to room temperature.
All 4 LEDs flash. The power tool does not work.	The tool has been overloaded.	▶ Release the control switch and then press it again. Then allow the power tool to run under no load for approx. 30 seconds.





Trouble or fault	Possible cause	Action to be taken
The power tool or battery gets very hot.	Electrical fault	▶ Switch the power tool off immediately, remove the battery, keep it under observation, allow it to cool down and contact Hilti Service .
The power tool does not develop full power.	A battery with inadequate capacity was used.	▶ Use a battery with adequate capacity.
Diminishing cutting performance	Punch worn	▶ Change the punch. → page 10
The motor has no braking effect.	Low battery.	▶ Change the battery and charge the empty battery.
	The power tool was overloaded briefly.	▶ Switch the power tool off and then on again.

11 Disposal

 Most of the materials from which **Hilti** tools and appliances are manufactured can be recycled. The materials must be correctly separated before they can be recycled. In many countries, your old tools, machines or appliances can be returned to **Hilti** for recycling. Ask **Hilti Service** or your **Hilti** representative for further information.

Battery disposal

Improper disposal of batteries can result in health hazards from leaking gases or fluids.

- ▶ DO NOT send batteries through the mail!
- ▶ Cover the terminals with a non-conductive material (such as electrical tape) to prevent short circuiting.
- ▶ Dispose of your battery out of the reach of children.
- ▶ Dispose of the battery at your **Hilti Store**, or consult your local governmental garbage disposal or public health and safety resources for disposal instructions.



- ▶ Do not dispose of power tools, electronic equipment or batteries as household waste!

12 Manufacturer's warranty

- ▶ Please contact your local **Hilti** representative if you have questions about the warranty conditions.

Notice d'utilisation originale

1 Indications relatives à la documentation

1.1 À propos de cette documentation

- Lire intégralement la présente documentation avant la mise en service. C'est la condition préalablement requise pour assurer la sécurité du travail et un maniement sans perturbations.
- Bien respecter les consignes de sécurité et les avertissements de la présente documentation ainsi que celles figurant sur le produit.
- Toujours conserver le mode d'emploi à proximité du produit et uniquement le transmettre à des tiers avec ce mode d'emploi.

1.2 Explication des symboles

1.2.1 Avertissements

Les avertissements attirent l'attention sur des dangers liés à l'utilisation du produit. Les termes de signalisation suivants sont utilisés :



⚠ DANGER

DANGER !

- Pour un danger imminent qui peut entraîner de graves blessures corporelles ou la mort.

⚠ AVERTISSEMENT

AVERTISSEMENT !

- Pour un danger potentiel qui peut entraîner de graves blessures corporelles ou la mort.

⚠ ATTENTION

ATTENTION !

- Pour attirer l'attention sur une situation pouvant présenter des dangers entraînant des blessures corporelles légères ou des dégâts matériels.

1.2.2 Symboles dans la documentation

Les symboles suivants sont utilisés dans la présente documentation :

	Lire le mode d'emploi avant d'utiliser l'appareil
	Pour des conseils d'utilisation et autres informations utiles
	Maniement des matériaux recyclables
	Ne pas jeter les appareils électriques et les accus dans les ordures ménagères

1.2.3 Symboles dans les illustrations

Les symboles suivants sont utilisés dans les illustrations :

	Ces chiffres renvoient à l'illustration correspondante au début du présent mode d'emploi
	La numérotation détermine la séquence des étapes de travail dans l'image et peut se différencier de celles des étapes de travail dans le texte
	Les numéros de position sont utilisés dans l'illustration Vue d'ensemble et renvoient aux numéros des légendes dans la section Vue d'ensemble du produit
	Ce signe doit inviter à manier le produit en faisant particulièrement attention.

1.3 Symboles spécifiques au produit

1.3.1 Symboles sur le produit

Les symboles suivants peuvent être utilisés sur le produit :

	Le produit prend en charge la transmission de données sans fil qui est compatible avec les plates-formes iOS et Android.
	Série de type d'accu Li-Ion Hilti utilisée. Observer les instructions au chapitre Utilisation conforme à l'usage prévu .
	Ne jamais utiliser l'accu comme outil de percussion.
	Ne pas laisser tomber l'accu. Ne pas utiliser d'accu ayant subi un choc ou d'autres dommages.
Li-Ion	Accu lithium-ions
	Courant continu
	Porter des lunettes de protection



2253587



1.4 Informations produit

Les produits **HILTI** sont destinés aux professionnels et ne doivent être utilisés, entretenus et réparés que par un personnel autorisé et formé. Ce personnel doit être spécialement instruit quant aux dangers inhérents à l'utilisation de l'appareil. Le produit et ses accessoires peuvent s'avérer dangereux s'ils sont utilisés de manière incorrecte par un personnel non qualifié ou de manière non conforme à l'usage prévu.

La désignation du modèle et le numéro de série figurent sur sa plaque signalétique.

- Inscrivez le numéro de série dans le tableau suivant. Les informations produit vous seront demandées lorsque vous contactez nos revendeurs ou services après-vente.

Caractéristiques produit

Grignoteuse	SPN 6-A22
Génération :	01
N° de série :	

1.5 Déclaration de conformité

Nous déclarons sous notre seule et unique responsabilité que le produit décrit ici est conforme aux directives et normes en vigueur. Une copie de l'attestation délivrée par l'organisme de certification se trouve en fin de la présente documentation.

Pour obtenir les documentations techniques, s'adresser à :

Hilti Entwicklungsgesellschaft mbH | Zulassung Geräte | Hiltistraße 6 | 86916 Kaufering, DE

2 Sécurité

2.1 Indications générales de sécurité pour les appareils électriques

⚠ AVERTISSEMENT Lire toutes les consignes de sécurité et instructions, illustrations et caractéristiques techniques, qui accompagnent cet outil électroportatif. Tout manquement à l'observation des instructions suivantes risque de provoquer une électrocution, un incendie et/ou de graves blessures.

Les consignes de sécurité et instructions doivent être intégralement conservées pour les utilisations futures.

La notion d'« outil électroportatif » mentionnée dans les consignes de sécurité se rapporte à des outils électriques raccordés au secteur (avec câble d'alimentation) et à des outils électriques sur accu (sans câble d'alimentation).

Sécurité sur le lieu de travail

- **Conserver la zone de travail propre et bien éclairée.** Un lieu de travail en désordre ou mal éclairé augmente le risque d'accidents.
- **Ne pas faire fonctionner les outils électriques en atmosphère explosive et où se trouvent des liquides, des gaz ou poussières inflammables.** Les outils électriques produisent des étincelles qui peuvent enflammer les poussières ou les fumées.
- **Maintenir les enfants et les personnes présentes à l'écart pendant l'utilisation de l'outil électroportatif.** En cas d'inattention il y a risque de perdre le contrôle de l'appareil.

Sécurité relative au système électrique

- **La fiche de secteur de l'outil électroportatif doit être adaptée à la prise de courant. Ne jamais modifier la fiche de quelque façon que ce soit. Ne pas utiliser d'adaptateurs avec des outils électriques à branchement de terre.** Des fiches non modifiées et des prises de courant adaptées réduiront le risque de choc électrique.
- **Éviter le contact physique avec des surfaces mises à la terre tels que tuyaux, radiateurs, cuisinières et réfrigérateurs.** Il y a un risque élevé de choc électrique au cas où votre corps serait relié à la terre.
- **Ne pas exposer les outils électroportatifs à la pluie ou à l'humidité.** La pénétration d'eau à l'intérieur d'un outil électroportatif augmentera le risque d'un choc électrique.
- **Ne jamais utiliser le câble de raccordement à d'autres fins que celles prévues, telles que pour porter, accrocher ou débrancher l'outil électroportatif de la prise de courant. Maintenir le câble de raccordement à l'écart de la chaleur, des parties grasses, des bords tranchants ou des parties en mouvement.** Des câbles de raccordement endommagés ou emmêlés augmentent le risque de choc électrique.
- **Si l'outil électroportatif est utilisé à l'extérieur, utiliser uniquement des câbles de rallonge homologués pour les applications extérieures.** L'utilisation d'un câble de rallonge homologué pour les applications extérieures réduit le risque d'un choc électrique.



- ▶ **Si l'utilisation de l'outil électrique dans un environnement humide ne peut pas être évitée, utiliser un interrupteur de protection contre les courants de court-circuit.** L'utilisation d'un tel interrupteur de protection réduit le risque d'une décharge électrique.

Sécurité des personnes

- ▶ **Rester vigilant, surveiller ce que l'on fait. Faire preuve de bon sens en utilisant l'outil électroportatif. Ne pas utiliser l'outil électroportatif en étant fatigué ou sous l'emprise de l'alcool, de drogues ou de médicaments.** Un moment d'inattention lors de l'utilisation de l'outil électroportatif peut entraîner des blessures graves.
- ▶ **Utiliser un équipement de protection personnel et toujours porter une protection pour les yeux.** Les équipements de protection personnels tels que masque antipoussière, chaussures de sécurité antidérapantes, casque de protection ou protection acoustique suivant l'utilisation de l'outil électroportatif, réduiront le risque de blessures des personnes.
- ▶ **Éviter une mise en service par mégarde. S'assurer que l'outil électroportatif est arrêté avant de le brancher à la source de courant et/ou à l'accu, de le prendre ou de le porter.** Le fait de porter l'outil électroportatif avec le doigt sur l'interrupteur ou de brancher l'appareil sur la source de courant lorsque l'interrupteur est en position de fonctionnement peut entraîner des accidents.
- ▶ **Retirer tout outil de réglage ou toute clé avant de mettre l'outil électroportatif en fonctionnement.** Une clé ou un outil se trouvant sur une partie en rotation peut causer des blessures.
- ▶ **Adopter une bonne posture. Veiller à toujours garder une position stable et équilibrée.** Cela permet un meilleur contrôle de l'outil électroportatif dans des situations inattendues.
- ▶ **S'habiller de manière adaptée. Ne pas porter de vêtements amples ni de bijoux. Garder les cheveux, les vêtements et les gants à distance des parties en mouvement.** Des vêtements amples, des bijoux ou des cheveux longs peuvent être happés par des parties en mouvement.
- ▶ **Si des dispositifs servant à aspirer ou à recueillir les poussières doivent être utilisés, s'assurer qu'ils sont effectivement raccordés et correctement utilisés.** L'utilisation d'un dispositif d'aspiration de la poussière peut réduire les risques dus aux poussières.
- ▶ **Ne pas sous-estimer les mesures de sécurité à prendre et ne pas ignorer sciemment les règles de sécurité applicables aux outils électriques, même si l'on est utilisateur chevronné après de fréquentes utilisations de l'outil électroportatif.** Un manque d'attention peut conduire à de graves blessures en quelques fractions de seconde.

Utilisation et maniement de l'outil électroportatif

- ▶ **Ne pas forcer l'appareil. Utiliser l'outil électroportatif adapté au travail à effectuer.** Un outil électroportatif approprié réalisera mieux le travail et de manière plus sûre au régime pour lequel il a été conçu.
- ▶ **Ne pas utiliser d'outil électroportatif dont l'interrupteur est défectueux.** Tout outil électroportatif qui ne peut plus être mis en ou hors fonctionnement est dangereux et doit être réparé.
- ▶ **Débrancher la fiche de la prise de courant et/ou l'accu amovible avant d'effectuer des réglages sur l'appareil, de changer les accessoires, ou de ranger l'appareil.** Cette mesure de précaution empêche une mise en fonctionnement par mégarde de l'outil électroportatif.
- ▶ **Conserver les outils électroportatifs non utilisés hors de portée des enfants. Ne permettre l'utilisation de l'appareil à aucune personne qui ne soit pas familiarisée avec celui-ci ou qui n'a pas lu ces instructions.** Les outils électroportatifs sont dangereux lorsqu'ils sont entre les mains de personnes non initiées.
- ▶ **Prendre soin des outils électroportatifs et des accessoires. Vérifier que les parties en mouvement fonctionnent correctement et qu'elles ne sont pas coincées, et contrôler si des parties sont cassées ou endommagées de sorte que le bon fonctionnement de l'outil électroportatif s'en trouve entravé. Faire réparer les parties endommagées avant d'utiliser l'appareil.** De nombreux accidents sont dus à des outils électroportatifs mal entretenus.
- ▶ **Garder les outils de coupe affûtés et propres.** Des outils destinés à couper correctement entretenus avec des arêtes de coupe tranchantes sont moins susceptibles de bloquer et sont plus faciles à contrôler.
- ▶ **L'outil électroportatif, les accessoires, les outils amovibles, etc. doivent être utilisés conformément à ces instructions. Tenir également compte des conditions de travail et du travail à réaliser.** L'utilisation des outils électroportatifs à d'autres fins que celles prévues peut entraîner des situations dangereuses.
- ▶ **Veiller à ce que les poignées et surfaces de préhension soient toujours être sèches, propres et exemptes de traces de graisse ou d'huile.** Avec des poignées et surfaces de préhension glissantes, la sécurité et le contrôle de l'outil électroportatif ne peuvent être assurés dans des situations inopinées.





Utilisation et maneiement de l'outil sur accu

- ▶ **Ne charger les accus que dans des chargeurs recommandés par le fabricant.** Si un chargeur approprié à un type spécifique d'accus est utilisé avec des accus non recommandés pour celui-ci, il y a risque d'incendie.
- ▶ **Dans les outils électroportatifs, utiliser uniquement les accus spécialement prévus pour ceux-ci.** L'utilisation de tout autre accu peut entraîner des blessures et des risques d'incendie.
- ▶ **Tenir l'accu non utilisé à l'écart de tous objets métalliques tels qu'agrafes, pièces de monnaie, clés, clous, vis ou autres, étant donné qu'un pontage peut provoquer un court-circuit.** Un court-circuit entre les contacts d'accu peut provoquer des brûlures ou un incendie.
- ▶ **En cas d'utilisation abusive, du liquide peut sortir de l'accu. Éviter tout contact avec ce liquide. En cas de contact par mégarde, rincer soigneusement avec de l'eau. Au cas où le liquide rentrerait dans les yeux, consulter en plus un médecin.** Le liquide qui sort de l'accu peut entraîner des irritations de la peau ou causer des brûlures.
- ▶ **Ne pas utiliser d'accu endommagé ou modifié.** Des accus endommagés ou modifiés peuvent avoir un comportement imprévisible et provoquer un incendie, une explosion ou engendrer un risque de blessures.
- ▶ **Ne jamais exposer l'accu au feu ou à des températures trop élevées.** Le feu ou des températures supérieures à 130 °C (265 °F) peuvent provoquer une explosion.
- ▶ **Suivre toutes les instructions de charge et ne jamais charger l'accu ou l'outil sur accu hors de la plage de températures spécifiée dans le manuel d'utilisation.** Une charge inappropriée ou hors de la plage de températures spécifiée risque d'endommager l'accu et accroître le risque d'incendie.

Service

- ▶ **L'outil électroportatif doit uniquement être réparé par un personnel qualifié et seulement avec des pièces de rechange d'origine.** Ceci permet d'assurer la sécurité de l'appareil.
- ▶ **Ne jamais entretenir d'accus endommagés.** Toutes les opérations d'entretien sur des accus doivent exclusivement être réalisées par le fabricant ou un prestataire de service client agréé.

2.2 Utilisation et emploi soigneux des batteries

- ▶ Respecter les directives spécifiques relatives au transport, au stockage et à l'utilisation des batteries li-ion.
- ▶ Ne pas exposer les batteries à des températures élevées, ni au rayonnement direct du soleil ou au feu.
- ▶ Les batteries ne doivent pas être démontées, écrasées, chauffées à une température supérieure à 80 °C ou jetées au feu.
- ▶ Ne jamais utiliser ni charger d'accus qui ont subi un choc électrique, qui sont tombés de plus d'un mètre ou qui ont été endommagés d'une manière quelconque. Si tel est le cas, il convient de contacter le **S.A.V Hilti**.
- ▶ Si la batterie est trop chaude pour être touché, elle peut être défectueuse. Déposer le produit à un endroit non inflammable d'où il peut être surveillé, à une distance suffisante de matériaux inflammables et le laisser refroidir. Si tel est le cas, il convient de contacter le **S.A.V Hilti**.

2.3 Consignes de sécurité supplémentaires

Sécurité des personnes

- ▶ Porter des gants de protection pour travailler avec le produit. L'outil amovible chauffe en cours d'utilisation, il y a un risque de brûlure. Les arêtes de coupe et les copeaux générés présentent des arêtes vives synonymes de risque de blessure.
- ▶ Faire régulièrement des pauses et des exercices de relaxation et de massage des doigts pour favoriser l'irrigation sanguine dans les doigts.
- ▶ Porter un casque antibruit. Le bruit peut entraîner une perte de l'audition.
- ▶ Ne pas utiliser le produit au-dessus de la tête.

Sécurité relative au système électrique

- ▶ Si le travail s'effectue souvent sur des matériaux conducteurs, faire réviser les appareils encrassés par le S.A.V. Hilti à intervalles réguliers. Dans de mauvaises conditions d'utilisation, la poussière collée à la surface de l'appareil, surtout la poussière de matériaux conducteurs, ou l'humidité, peut entraîner une électrocution.
- ▶ Nettoyer régulièrement les fentes de ventilation de l'outil électroportatif. Le ventilateur du moteur attire la poussière dans le carter, et une forte accumulation de poussière métallique peut représenter des dangers électriques.
- ▶ Avant d'entamer le travail, vérifier, par exemple à l'aide d'un détecteur de métaux, qu'il n'y a pas de câbles ou gaines électriques, tuyaux de gaz ou d'eau cachés dans la zone d'intervention. Toutes



pièces métalliques extérieures de l'appareil peuvent devenir conductrices, par exemple, lorsqu'un câble électrique est endommagé par inadvertance.

- ▶ Ne pas tronçonner de pièces à travailler qui pourraient être conductrices.

Sécurité sur le lieu de travail

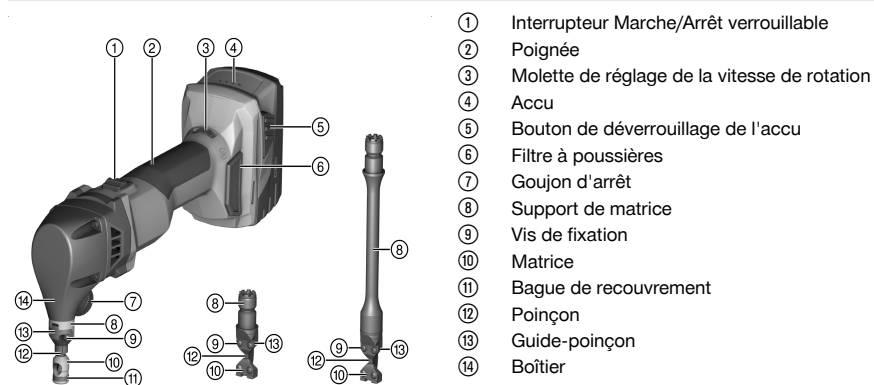
- ▶ Veiller à ce que l'espace de travail soit propre. Les copeaux métalliques sont tranchants et risquent de rayer le sol.

Utilisation et emploi soigneux de l'outil électroportatif

- ▶ S'assurer que le produit est exempt de tous copeaux et saletés. Pendant le travail, veiller à ce qu'aucun copeau n'accède à la zone de l'interrupteur Marche/Arrêt. Les copeaux pourraient bloquer l'interrupteur Marche/Arrêt et il ne serait plus possible d'éteindre le produit.

3 Description

3.1 Vue d'ensemble du produit



3.2 Utilisation conforme à l'usage prévu

Le produit décrit est une grignoteuse sans fil à guidage manuel. Elle est conçue pour tronçonner les pièces à travailler en forme de plaque en matériau découpables tels que l'acier, l'aluminium, le métal non ferreux et le plastique, pour grignoter des bords extérieurs et des découpes intérieurs droits ou courbes ainsi que pour grignoter sur tracé. L'usinage par grignotage donne des arêtes de coupe non vrillées. Des applications supplémentaires sont possibles en fonction de l'outil amovible utilisé.

SPN-CN : Cet outil amovible est également destiné au tronçonnage de tuyaux, à l'usine de tôles ondulées ainsi qu'au grignotage sur gabarit. En raison du poinçon concave, pendant le travail, la grignoteuse peut être tournée sur place afin de poursuivre le travail dans n'importe quel sens.

En option : SPN-RN et SPN-RL : ces outils amovibles sont également destinés à tronçonner des tôles profilées, telles que la tôle trapézoïdale, la tôle ondulée, la tôle de caisson et les baguettes profilées coudées.

- ▶ Pour ce produit, utiliser exclusivement les accus Li-Ion **Hilti** de la série B 22.
- ▶ Pour ces accus, utiliser exclusivement les chargeurs **Hilti** de la série C4/36.

3.3 Éléments livrés

Grignoteuse, clé Torx, mode d'emploi

Pour une utilisation en toute sécurité, utiliser uniquement des pièces de rechange et consommables d'origine. Vous trouverez les pièces de rechange, consommables et accessoires autorisés convenant pour votre produit dans le centre **Hilti Store** ou sous : www.hilti.group

Le fonctionnement du produit a été contrôlé avant la livraison. Lors du contrôle, la pièce à travailler pourrait avoir généré d'infimes rayures à la surface du boîtier.



2253587



3.4 Système de protection thermique du moteur

Ce système de protection thermique supervise l'intensité du courant absorbé ainsi que le réchauffement du moteur, écartant ainsi tout risque de surchauffe de l'appareil.

Si le moteur vient à être en surcharge du fait d'une pression exercée trop importante, la puissance de l'appareil est considérablement réduite ou l'appareil peut s'arrêter.

En cas d'arrêt ou de diminution de vitesse de rotation à cause d'une surcharge, dégager l'appareil et le laisser tourner à vide pendant 30 secondes environ.

3.5 Indicateur de l'état de charge de l'accu Li-Ion

L'état de charge de l'accu Li-Ion peut être visualisé en appuyant légèrement sur l'un des deux boutons de déverrouillage.

État	Signification
4 LED allumées.	État de charge : 75 % à 100 %
3 LED allumées.	État de charge : 50 % à 75 %
2 LED allumées.	État de charge : 25 % à 50 %
1 LED allumée.	État de charge : 10 % à 25 %
1 LED clignote.	État de charge : < 10 %



Il n'est pas possible de consulter l'indicateur de l'état de charge pendant et immédiatement après les travaux. Si les LED de l'indicateur de l'état de charge de l'accu clignotent, se reporter au chapitre Aide au dépannage.

4 Caractéristiques techniques

La grignoteuse est livrée de série avec l'outil amovible SPN-CN. SPN-RN et SPN-RL sont disponibles en tant qu'accessoires en option

	SPN-CN	SPN-RN	SPN-RL
Tension de référence	21,6 V	21,6 V	21,6 V
Poids (accu inclus) B228.0	3,1 kg (6,8 lb)	3,0 kg (6,6 lb)	3,3 kg (7,3 lb)
Cadence de coupe en marche à vide	620 tr/min ... 1.370 tr/min	620 tr/min ... 1.370 tr/min	620 tr/min ... 1.370 tr/min
Diamètre de trou de départ	17 mm (0,7 in)	24 mm (0,9 in)	24 mm (0,9 in)
Rayon le plus petit pour les découpes en forme de courbe	4,0 mm (0,16 in)	•/•	•/•
Rayon	•/•	50 mm (2,0 in)	50 mm (2,0 in)
Largeur de la ligne de coupe	8,0 mm (0,31 in)	5,0 mm (0,20 in)	5,0 mm (0,20 in)
Épaisseur de matériau admissible de l'acier jusqu'à 400 N/mm²	2,0 mm / 14 Ga (0,08 in / 14 Ga)	2,0 mm / 14 Ga (0,08 in / 14 Ga)	2,0 mm / 14 Ga (0,08 in / 14 Ga)
Épaisseur de matériau admissible de l'acier jusqu'à 600 N/mm²	1,5 mm / 16 Ga (0,06 in / 16 Ga)	1,5 mm / 16 Ga (0,06 in / 16 Ga)	1,5 mm / 16 Ga (0,06 in / 16 Ga)
Épaisseur de matériau admissible de l'acier jusqu'à 800 N/mm²	1,0 mm / 20 Ga (0,04 in / 20 Ga)	1,0 mm / 20 Ga (0,04 in / 20 Ga)	1,0 mm / 20 Ga (0,04 in / 20 Ga)
Épaisseur de matériau admissible de l'aluminium jusqu'à 250 N/mm²	2,5 mm/10 Ga (0.10 in/10 Ga)	3,0 mm/9 Ga (0.12 in/9 Ga)	3,0 mm/9 Ga (0.12 in/9 Ga)



	SPN-CN	SPN-RN	SPN-RL
Température de service en cours de service	-17 °C ... 60 °C (1 °F ... 140 °F)	-17 °C ... 60 °C (1 °F ... 140 °F)	-17 °C ... 60 °C (1 °F ... 140 °F)
Température de stockage	-20 °C ... 70 °C (-4 °F ... 158 °F)	-20 °C ... 70 °C (-4 °F ... 158 °F)	-20 °C ... 70 °C (-4 °F ... 158 °F)

4.1 Batterie

Tension nominale de l'accu	21,6 V
Température de service en cours de service	-17 °C ... 60 °C (1 °F ... 140 °F)
Température de stockage	-20 °C ... 40 °C (-4 °F ... 104 °F)
Température de l'accu au début de la charge	-10 °C ... 45 °C (14 °F ... 113 °F)

5 Préparatifs

ATTENTION

Risque de blessures du fait d'une mise en marche inopinée !

- ▶ Avant d'insérer l'accu, s'assurer que le produit correspondant est bien sur arrêt.
- ▶ Retirer le bloc-accu, avant d'effectuer des réglages sur l'appareil ou de changer les accessoires.

Bien respecter les consignes de sécurité et les avertissements de la présente documentation ainsi que celles figurant sur le produit.

5.1 Recharge de l'accu

1. Avant de commencer la charge, lire le mode d'emploi du chargeur.
2. Veiller à ce que les contacts de l'accu et du chargeur sont propres et secs.
3. Charger l'accu à l'aide d'un chargeur homologué.

5.2 Introduction de l'accu

ATTENTION

Risque de blessures du fait d'un court-circuit ou de la chute de l'accu !

- ▶ Avant d'insérer l'accu dans l'appareil, s'assurer que les contacts de l'accu et les contacts sur le produit sont exempts de corps étrangers.
- ▶ S'assurer que l'accu s'encliquette toujours correctement.

1. L'accu doit être entièrement chargé avant la première mise en service.
2. Insérer l'accu dans l'appareil jusqu'à ce qu'il s'encliquette avec un clic audible.
3. Vérifier que l'accu est bien en place.

5.3 Retrait de l'accu

1. Appuyer sur les boutons de déverrouillage de l'accu.
2. Retirer l'accu hors de l'appareil.

5.4 Outils

Se reporter à l'illustration pour la combinaison appropriée d'outil amovible et de support.

Explication des matériaux supports :

- A : Tôle plate
- B : Tôle ondulée
- C : Tôle trapézoïdale (profondeurs de profilés max. 85 mm)
- D : Tôle trapézoïdale (profondeurs de profilés max. 162 mm)



2253587



Pour effectuer une coupe sans bavures dans la tôle de jusqu'à 1 mm d'épaisseur avec les outils SPN-RN et SPN-RL, il est possible d'utiliser la matrice P1. La faible jeu de coupe réduit la formation de bavures.

5.5 Démontage de l'outil 3

1. Desserrer le goujon d'arrêt de six tours dans le sens inverse des aiguilles d'une montre.
2. Extraire l'outil du boîtier.

5.6 Montage de l'outil 4

1. Graisser le guide-poinçon.
2. Accrocher le poinçon dans la rainure du poussoir.
3. Aligner le sens de coupe vers l'avant.
4. Enficher l'outil avec le sens de coupe vers l'avant dans le boîtier.
5. Ensuite, positionner l'outil dans le sens de coupe souhaité.
6. Visser le goujon d'arrêt dans le sens des aiguilles d'une montre en le serrant à la main.
 - ↳ Il ne doit pas y avoir d'interstice entre le boîtier et le support de matrice.

5.7 Réglage du sens de coupe 3

Si nécessaire, il est possible de tourner le sens de coupe vers la droite ou la gauche par incréments de 45°. Ce qui permet de mieux usiner les tôles profilées et de régler la grignoteuse pour droitier ou gaucher.

1. Desserrer le goujon d'arrêt en env. trois tours dans le sens inverse des aiguilles d'une montre jusqu'à ce plus aucun cran ne soit perceptible.
2. Sortir légèrement l'outil du boîtier et le tourner dans le sens souhaité.
 - ↳ Huit positions d'encliquetages sont possibles.
3. Repousser l'outil dans la position d'encliquetage souhaité dans le boîtier.
4. Visser le goujon d'arrêt dans le sens des aiguilles d'une montre en le serrant à la main.
 - ↳ Il ne doit pas y avoir d'interstice entre le boîtier et le support de matrice.

5.8 Réglage de la cadence de coupe

- ▶ Régler la cadence de coupe à l'aide de la molette de réglage de la vitesse de rotation.

6 Utilisation

Bien respecter les consignes de sécurité et les avertissements de la présente documentation ainsi que celles figurant sur le produit.

6.1 Mise en marche

1. Appuyer sur la partie arrière de l'interrupteur Marche/Arrêt.
2. Pousser l'interrupteur Marche/Arrêt vers l'avant.
 - ↳ Le moteur tourne.
3. Bloquer l'interrupteur Marche/Arrêt.

6.2 Coupe 5

AVERTISSEMENT

Attention Surcharge de la grignoteuse due à des outils émoussés !

- ▶ S'assurer régulièrement de l'absence d'usure du tranchant du poinçon. Remplacer le poinçon à temps pour protéger la grignoteuse.

1. Enduire la ligne de coupe avec de l'huile pour augmenter la durée de vie du poinçon et améliorer le résultat de coupe.
2. Mettre le produit en marche. → Page 20
3. Une fois que la pleine vitesse de rotation est atteinte, approcher la grignoteuse de la pièce à travailler.
 - ↳ Pour les découpes intérieures, commencer par exécuter un perçage de départ adapté à l'outil utilisé.
4. Couper le long de la ligne de coupe souhaitée.



5. Une fois la coupe terminée, éteindre le produit. Si la ligne de coupe se termine dans la pièce à travailler, reculer d'abord le produit de quelques millimètres dans la ligne de coupe avant de l'éteindre.

i Ne pas poser la grignoteuse dans les copeaux tant qu'elle ne s'est pas entièrement arrêtée. Les copeaux peuvent être aspirés par le moteur.

6.3 Découpe avec gabarit

Option: SPN-CN

La découpe avec gabarit est soumise aux exigences suivantes :

- L'épaisseur du gabarit doit être comprise entre 5 - 7 mm.
- Le contour du gabarit doit être à une distance de 2,5 mm par rapport au contour de découpe.
- Respecter le rayon minimal de 4 mm. En conséquence, le rayon minimal du gabarit est de 6,5 mm.
- La grignoteuse doit être guidée de sorte que le bord extérieur du guide-poinçon repose toujours sur le gabarit.

6.4 Arrêt

- ▶ Appuyer sur la partie arrière de l'interrupteur Marche/Arrêt.
 - ↳ L'interrupteur Marche/Arrêt se met sur la position Arrêt et le moteur s'arrête.

7 Accessoires optionnels

7.1 Montage du sac à copeaux

Option: SPN-CN

Afin que les copeaux ne soient pas éparpillés de manière incontrôlée, il est possible de monter un sac à copeaux pour récupérer les copeaux.

1. Appuyer sur les deux extrémités du ressort dans le sac à copeaux.
2. Enfiler le ressort autour de l'extrémité inférieure de la matrice et lâcher les extrémités du ressort.
3. Contrôler le positionnement correct et solide du ressort et du sac à copeaux.

8 Nettoyage et entretien

AVERTISSEMENT

Risque de blessures lorsque l'accu est inséré !

- ▶ Toujours retirer l'accu avant tous travaux de nettoyage et d'entretien !

Entretien de l'appareil

- Éliminer prudemment les saletés récalcitrantes.
- Retirer le filtre à poussière, le nettoyer avec précaution ainsi que les ouïes d'aération au moyen d'une brosse sèche.
- Nettoyer le boîtier uniquement avec un chiffon légèrement humidifié. Ne pas utiliser de nettoyeurs à base de silicone, ceci pourrait attaquer les pièces en plastique.

Entretien des accus Li-ion

- Veiller à ce que l'accu soit toujours propre et exempt de traces de graisse et d'huile.
- Nettoyer le boîtier uniquement avec un chiffon légèrement humidifié. Ne pas utiliser de nettoyeurs à base de silicone, ceci pourrait attaquer les pièces en plastique.
- Éviter toute pénétration d'humidité.

Entretien

- Vérifier régulièrement qu'aucune pièce visible n'est endommagée et que les organes de commande sont parfaitement opérationnels.
- En cas d'endommagements et/ou de dysfonctionnements, ne pas utiliser le produit. Le faire immédiatement réparer par le S.A.V. **Hilti**.
- Après des travaux de nettoyage et d'entretien, vérifier si tous les équipements de protection sont bien en place et fonctionnent parfaitement.



2253587

i Pour une utilisation en toute sécurité, utiliser uniquement des pièces de rechange et consommables d'origine. Vous trouverez les pièces de rechange, consommables et accessoires autorisés convenant pour votre produit dans le centre **Hilti Store** ou sous : **www.hilti.group**.

8.1 Remplacement du poinçon 3

i Lors de chaque remplacement du poinçon, contrôler également l'usure de la matrice, du guide-poinçon et de la plaque d'usure (pas pour SPN-CN) et les remplacer si nécessaire.

1. Démonter l'outil. → Page 20
2. Retirer le poinçon usé de l'outil.
3. Graisser le nouveau poinçon et l'insérer dans le guide-poinçon de l'outil.
4. Si l'équipement suivant existe, procéder de plus à cette action :
Option: SPN-RL
 - Monter la rallonge de poussoir entre le poussoir et le poinçon et la graisser.
5. Monter l'outil. → Page 20

8.2 Remplacement de la matrice 9

Option: SPN-CN

1. Pousser la bague de recouvrement hors de la rainure vers le haut.
2. Chasser la goupille cylindrique avec un mandrin approprié.
3. Extraire la matrice de la tige-support.
4. Insérer la nouvelle matrice sur la tige-support.
5. Remettre la goupille cylindrique en place.
6. Pousser la bague de recouvrement vers le bas dans la rainure et en contrôler le bon positionnement.

8.3 Remplacement du guide-poinçon 10

Option: SPN-CN

⚠ ATTENTION

Risque d'endommagement du produit et des outils de coupe !

- Nettoyer le filetage des vis de fixation avant de les monter.
- Toujours utiliser les vis de fixation neuves fournies et respecter le couple de serrage indiqué.

1. Démonter la matrice. → Page 22
2. Démonter les vis de fixation.
3. Retirer le guide-poinçon.
4. Mettre en place le nouveau guide-poinçon.
5. Monter les vis de fixation en appliquant le couple de serrage prescrit.

Caractéristiques techniques

Couple de serrage	3 Nm (2 ftlb)
-------------------	------------------

6. Remonter la matrice.



8.4 Remplacement de la matrice, du guide-poinçon et de la plaque d'usure 11, 12

Option: SPN-RN
OU SPN-RL

⚠ ATTENTION

Risque d'endommagement du produit et des outils de coupe !

- ▶ Nettoyer le filetage des vis de fixation avant de les monter.
- ▶ Toujours utiliser les vis de fixation neuves fournies et respecter le couple de serrage indiqué.

1. Démonter les vis de fixation.
2. Retirer le guide-poinçon et la matrice.
3. S'assurer que la plaque d'usure ne présente pas de signes d'usure.

Résultat

Si de nettes traces d'usure sont visibles :

- ▶ Retirer la plaque d'usure et la remplacer par une plaque neuve.
4. Nettoyer les surfaces d'appui sur le support de la matrice.
 5. Centrer la guide-poinçon et la matrice à l'aide des tenons.
 6. Remonter les vis de fixation en les serrant à la main.
 7. Graisser les surfaces de guidage du guide-poinçon.
 8. Serrer les vis de fixation en croix en appliquant le couple de serrage prescrit.

Caractéristiques techniques	
Couple de serrage	3 Nm (2 ftlb.)

9 Transport et stockage des appareils sur accu

Transport

⚠ ATTENTION

Mise en marche inopinée lors du transport !

- ▶ Toujours retirer les accus avant de transporter les produits !
- ▶ Retirer les accus.
- ▶ Ne jamais transporter les accus en vrac.
- ▶ Avant toute utilisation consécutive à un transport prolongé de l'appareil et des accus, toujours vérifier qu'ils ne sont pas endommagés.

Stockage

⚠ ATTENTION

Endommagement involontaire du fait d'accus défectueux ou de chute d'accu !

- ▶ Toujours retirer les accus avant de stocker les produits !
- ▶ Stocker l'appareil et les accus si possible au frais et au sec.
- ▶ Ne jamais stocker les accus exposés au soleil, sur des installations de chauffage ou derrière des vitres.
- ▶ Stocker l'appareil et les accus hors de portée des enfants et des personnes non autorisées.
- ▶ Avant toute utilisation consécutive à un stockage prolongé de l'appareil et des accus, toujours vérifier qu'ils ne sont pas endommagés.

10 Aide au dépannage

En cas de défaillances non énumérées dans ce tableau ou auxquelles il n'est pas possible de remédier sans aide, contacter le S.A.V. **Hilti**.



2253587

10.1 Guide de dépannage

Défaillance	Causes possibles	Solution
L'accu se décharge plus rapidement que d'habitude.	Température ambiante très basse.	▶ Laisser l'accu se réchauffer lentement à la température de service.
L'accu ne s'encliquette pas avec un clic audible.	Ergots d'encliquetage encrassés sur l'accu.	▶ Nettoyer les ergots d'encliquetage et réencliqueter l'accu dans son logement.
1 LED clignote. L'appareil ne fonctionne pas.	L'accu est déchargé.	▶ Remplacer l'accu et charger l'accu vide.
	L'accu est trop froid ou trop chaud.	▶ Laisser l'accu se réchauffer ou refroidir lentement à la température ambiante.
Toutes les 4 LED clignent. L'appareil ne fonctionne pas.	L'appareil est surchargé.	▶ Relâcher le variateur électronique de vitesse et l'actionner à nouveau. Laisser ensuite l'appareil tourner à vide pendant 30 secondes environ.
Important dégagement de chaleur dans l'appareil ou dans l'accu.	Défaut électrique.	▶ Arrêter immédiatement l'appareil, sortir l'accu et l'examiner, le laisser refroidir et contacter le S.A.V. Hilti .
L'appareil n'atteint pas la pleine puissance.	Accu avec capacité insuffisante mis en place.	▶ Utiliser un accu d'une capacité suffisante.
Dégradation de la performance de découpe	Poinçon usé	▶ Remplacer le poinçon. → Page 22
Aucune fonction de freinage du moteur.	L'accu est déchargé.	▶ Remplacer l'accu et charger l'accu vide.
	Surcharge momentanée de l'appareil.	▶ Arrêter puis remettre en marche l'appareil.

11 Recyclage

Les appareils **Hilti** sont fabriqués pour une grande partie en matériaux recyclables. Le recyclage présuppose un tri adéquat des matériaux. **Hilti** reprend les appareils usagés dans de nombreux pays en vue de leur recyclage. Consulter le service clients **Hilti** ou un conseiller commercial.

Élimination des accus

Une élimination non conforme des accus peut produire des émanations de gaz et de liquides nocives pour la santé.

- ▶ Ne pas envoyer ni expédier d'accus endommagés !
- ▶ Recouvrir les raccordements avec un matériau non conducteur pour éviter tout court-circuit.
- ▶ Éliminer les accus en veillant à ce qu'ils soient hors de la portée des enfants.
- ▶ Éliminer l'accu en le déposant auprès du **Hilti Store** local ou s'adresser à l'entreprise de collecte des déchets compétente.



- ▶ Ne pas jeter les appareils électriques, électroniques et accus dans les ordures ménagères !

12 Garantie constructeur

- ▶ En cas de questions sur les conditions de garantie, veuillez vous adresser à votre partenaire **Hilti** local.



Manual de instrucciones original

1 Información sobre la documentación

1.1 Acerca de esta documentación

- Lea detenidamente esta documentación antes de la puesta en servicio. Ello es imprescindible para un trabajo seguro y un manejo sin problemas.
- Respete las indicaciones de seguridad y las advertencias presentes en esta documentación y en el producto.
- Conserve este manual de instrucciones siempre junto con el producto y entregue el producto a otras personas siempre acompañado del manual.

1.2 Explicación de símbolos

1.2.1 Avisos

Las advertencias de seguridad advierten de peligros derivados del manejo del producto. Se utilizan las siguientes palabras de peligro:

PELIGRO

PELIGRO !

- ▶ Término utilizado para un peligro inminente que puede ocasionar lesiones graves o incluso la muerte.

ADVERTENCIA

ADVERTENCIA !

- ▶ Término utilizado para un posible peligro que puede ocasionar lesiones graves o incluso la muerte.





PRECAUCIÓN

PRECAUCIÓN !

- ▶ Término utilizado para una posible situación peligrosa que puede ocasionar lesiones leves o daños materiales.


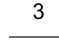
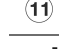

1.2.2 Símbolos en la documentación

En esta documentación se utilizan los siguientes símbolos:

	Leer el manual de instrucciones antes del uso
	Indicaciones de uso y demás información de interés
	Manejo con materiales reutilizables
	No tirar las herramientas eléctricas y las baterías junto con los desperdicios domésticos

1.2.3 Símbolos en las figuras

En las figuras se utilizan los siguientes símbolos:

	Estos números hacen referencia a la figura correspondiente incluida al principio de este manual
	La numeración describe el orden de los pasos de trabajo en la imagen y puede ser diferente de los pasos descritos en el texto
	Los números de posición se utilizan en la figura Vista general y los números de la leyenda están explicados en el apartado Vista general del producto
	Preste especial atención a este símbolo cuando utilice el producto.












1.3 Símbolos dependientes del producto

1.3.1 Símbolos en el producto

En el producto se pueden utilizar los siguientes símbolos:

	El producto permite la transferencia de datos inalámbrica, compatible con plataformas iOS y Android.
	Serie utilizada de baterías de Ion-Litio Hilti . Consulte las indicaciones recogidas en el capítulo Uso conforme a las prescripciones .
	Nunca utilice la batería como herramienta de percusión.
	No deje que la batería se caiga. No utilice baterías que hayan recibido algún golpe ni que estén dañadas de alguna otra forma.
Li-Ion	Batería de Ion-Litio
	Corriente continua
	Utilizar protección para los ojos

1.4 Información del producto

Los productos  han sido diseñados para usuarios profesionales y solo personal autorizado y debidamente formado puede utilizarlos y llevar a cabo su mantenimiento y conservación. Este personal debe estar especialmente instruido en lo referente a los riesgos de uso. La utilización del producto y sus dispositivos auxiliares puede conllevar riesgos para el usuario en caso de manejarse de forma inadecuada por personal no cualificado o utilizarse para usos diferentes a los que están destinados.

La denominación del modelo y el número de serie están indicados en la placa de identificación.

- ▶ Escriba el número de serie en la siguiente tabla. Necesitará los datos del producto para realizar consultas a nuestros representantes o al Departamento de Servicio Técnico.

Datos del producto

Cortadora de chapa	SPN 6-A22
Generación:	01
N.º de serie:	

1.5 Declaración de conformidad

Bajo nuestra exclusiva responsabilidad, declaramos que el producto aquí descrito cumple con las directivas y normas vigentes. Encontrará una reproducción del organismo certificador al final de esta documentación. La documentación técnica se encuentra depositada aquí:

Hilti Entwicklungsgesellschaft mbH | Zulassung Geräte | Hiltistraße 6 | 86916 Kaufering, DE

2 Seguridad

2.1 Indicaciones generales de seguridad para herramientas eléctricas

⚠ ADVERTENCIA Lea con atención todas las indicaciones de seguridad, instrucciones, ilustraciones y datos técnicos correspondientes a esta herramienta eléctrica. La negligencia en el cumplimiento de las instrucciones que se describen a continuación podría provocar descargas eléctricas, incendios o lesiones graves.

Conserve todas las instrucciones e indicaciones de seguridad para futuras consultas.

El término «herramienta eléctrica» empleado en las indicaciones de seguridad se refiere a herramientas eléctricas portátiles, ya sea con cable de red o sin cable, en caso de ser accionadas por batería.

Seguridad en el puesto de trabajo

- ▶ **Mantenga su área de trabajo limpia y bien iluminada.** El desorden o una iluminación deficiente de las zonas de trabajo pueden provocar accidentes.
- ▶ **No utilice la herramienta eléctrica en un entorno con peligro de explosión en el que se encuentren líquidos, gases o polvos inflamables.** Las herramientas eléctricas producen chispas que pueden llegar a inflamar los materiales en polvo o vapores.



- ▶ **Mantenga alejados a los niños y otras personas de su puesto de trabajo al emplear la herramienta eléctrica.** Una distracción le puede hacer perder el control sobre la herramienta.

Seguridad eléctrica

- ▶ **El enchufe de la herramienta eléctrica debe corresponder a la toma de corriente utilizada. No se deberá modificar el enchufe en forma alguna. No utilice enchufes adaptadores para las herramientas eléctricas con puesta a tierra.** Los enchufes sin modificar adecuados a las respectivas tomas de corriente reducen el riesgo de descarga eléctrica.
- ▶ **Evite el contacto corporal con superficies que tengan puesta a tierra, como pueden ser tubos, calefacciones, cocinas y frigoríficos.** El riesgo a quedar expuesto a una sacudida eléctrica es mayor si su cuerpo tiene contacto con tierra.
- ▶ **No esponga las herramientas eléctricas a la lluvia y evite que penetren líquidos en su interior.** El riesgo de recibir descargas eléctricas aumenta si penetra agua en la herramienta eléctrica.
- ▶ **No utilice el cable de conexión para transportar o colgar la herramienta eléctrica ni tire de él para extraer el enchufe de la toma de corriente. Mantenga el cable de conexión alejado de fuentes de calor, aceite, aristas afiladas o piezas móviles.** Los cables de conexión dañados o enredados pueden provocar descargas eléctricas.
- ▶ **Cuando trabaje al aire libre con una herramienta eléctrica, utilice exclusivamente un alargador adecuado para exteriores.** La utilización de un alargador adecuado para su uso en exteriores evita el riesgo de una descarga eléctrica.
- ▶ **Cuando no pueda evitarse el uso de la herramienta eléctrica en un entorno húmedo, utilice un interruptor de corriente de defecto.** La utilización de un interruptor de corriente de defecto evita el riesgo de una descarga eléctrica.

Seguridad de las personas

- ▶ **Permanezca atento, preste atención durante el trabajo y utilice la herramienta eléctrica con prudencia. No utilice una herramienta eléctrica si está cansado, ni tampoco después de haber consumido alcohol, drogas o medicamentos.** Un momento de descuido al utilizar la herramienta eléctrica podría producir graves lesiones.
- ▶ **Utilice el equipo de seguridad personal adecuado y lleve siempre gafas protectoras.** El riesgo de lesiones se reduce considerablemente si, según el tipo y la aplicación de la herramienta eléctrica empleada, se utiliza un equipo de seguridad personal adecuado como una mascarilla antipolvo, zapatos de seguridad con suela antideslizante, casco de protección o protección para los oídos.
- ▶ **Evite una puesta en servicio fortuita de la herramienta. Asegúrese de que la herramienta eléctrica está apagada antes de alzarla, transportarla, conectarla a la toma de corriente o insertar la batería.** Si transporta la herramienta eléctrica sujetándola por el interruptor de conexión/desconexión o si introduce el enchufe en la toma de corriente con la herramienta conectada, podría producirse un accidente.
- ▶ **Retire las herramientas de ajuste o llaves fijas antes de conectar la herramienta eléctrica.** Una herramienta o llave colocada en una pieza giratoria puede producir lesiones al ponerse en funcionamiento.
- ▶ **Evite adoptar posturas forzadas. Procure que la postura sea estable y manténgase siempre en equilibrio.** De esta forma podrá controlar mejor la herramienta eléctrica en caso de presentarse una situación inesperada.
- ▶ **Utilice ropa adecuada. No utilice vestimenta amplia ni joyas. Mantenga su pelo, vestimenta y guantes alejados de las piezas móviles.** La vestimenta suelta, las joyas y el pelo largo se pueden enganchar con las piezas en movimiento.
- ▶ **Siempre que sea posible montar equipos de aspiración o captación de polvo, asegúrese de que están conectados y de que se utilizan correctamente.** El uso de un sistema de aspiración de polvo reduce los riesgos derivados del polvo.
- ▶ **No se crea a salvo de cualquier riesgo ni pase por alto ninguna de las normas de seguridad relativas a las herramientas eléctricas, aun cuando esté familiarizado con la herramienta eléctrica y tenga larga experiencia en su uso.** Una actuación negligente puede provocar lesiones graves en cuestión de segundos.

Uso y manejo de la herramienta eléctrica

- ▶ **No sobrecargue la herramienta. Utilice la herramienta eléctrica adecuada para el trabajo que se dispone a realizar.** Con la herramienta eléctrica apropiada podrá trabajar mejor y de modo más seguro dentro del margen de potencia indicado.
- ▶ **No utilice herramientas eléctricas con el interruptor defectuoso.** Las herramientas eléctricas que no se puedan conectar o desconectar son peligrosas y deben repararse.
- ▶ **Extraiga el enchufe de la toma de corriente o retire la batería extraíble antes de efectuar cualquier ajuste en la herramienta, cambiar accesorios o en caso de no utilizar la herramienta durante un**





tiempo prolongado. Esta medida preventiva evita el riesgo de arranque accidental de la herramienta eléctrica.

- ▶ **Guarde las herramientas eléctricas que no utilice fuera del alcance de los niños. No permita utilizar la herramienta a ninguna persona que no esté familiarizada con ella o que no haya leído este manual de instrucciones.** Las herramientas eléctricas utilizadas por personas inexpertas son peligrosas.
- ▶ **Cuide su herramienta eléctrica y los accesorios adecuadamente. Compruebe si las piezas móviles de la herramienta funcionan correctamente y sin atascarse, y si existen piezas rotas o deterioradas que pudieran afectar al funcionamiento de la herramienta eléctrica. Encargue la reparación de las piezas defectuosas antes de usar la herramienta eléctrica.** Muchos accidentes son consecuencia de un mantenimiento inadecuado de la herramienta eléctrica.
- ▶ **Mantenga los útiles limpios y afilados.** Las herramientas de corte bien cuidadas y con aristas afiladas se atascan menos y se guían con más facilidad.
- ▶ **Utilice la herramienta eléctrica, los accesorios, útiles de inserción, etc., de acuerdo con estas instrucciones. Para ello, tenga en cuenta las condiciones de trabajo y la tarea que se va a realizar.** El uso de herramientas eléctricas para trabajos diferentes de aquellos para los que han sido concebidas puede resultar peligroso.
- ▶ **Mantenga las empuñaduras y las superficies de contacto secas, limpias y sin residuos de aceite o grasa.** Las empuñaduras y superficies de contacto resbaladizas impiden manejar y controlar la herramienta eléctrica con seguridad en situaciones imprevistas.

Uso y manejo de la herramienta de batería

- ▶ **Cargue las baterías únicamente con los cargadores recomendados por el fabricante.** Existe riesgo de incendio al intentar cargar baterías de un tipo diferente al previsto para el cargador.
- ▶ **Utilice únicamente las baterías previstas para la herramienta eléctrica.** El uso de otro tipo de baterías puede provocar daños e incluso incendios.
- ▶ **Si no utiliza la batería, guárdela separada de clips, monedas, llaves, clavos, tornillos y demás objetos metálicos que pudieran puentear sus contactos.** El cortocircuito de los contactos de la batería puede causar quemaduras o incendios.
- ▶ **La utilización inadecuada de la batería puede provocar fugas de líquido. Evite el contacto con este líquido. En caso de contacto accidental, enjuague el área afectada con abundante agua. En caso de contacto con los ojos, acuda además inmediatamente a un médico.** El líquido de la batería puede irritar la piel o producir quemaduras.
- ▶ **No utilice baterías dañadas o modificadas.** Una batería dañada o modificada puede tener un comportamiento imprevisible y provocar incendios, explosiones o riesgo de lesiones.
- ▶ **No exponga la batería al fuego o a temperaturas muy elevadas.** El fuego o las temperaturas superiores a 130 °C (265 °F) pueden provocar una explosión.
- ▶ **Siga todas las instrucciones relativas a la carga y no cargue nunca la batería o la herramienta de batería excediendo el rango de temperatura indicado en el manual de instrucciones.** Una carga incorrecta o fuera del rango de temperatura permitido puede destruir la batería y aumentar el riesgo de incendio.

Servicio Técnico

- ▶ **Solicite que un profesional lleve a cabo la reparación de su herramienta eléctrica y que utilice exclusivamente piezas de repuesto originales.** Solamente así se garantiza la seguridad de la herramienta.
- ▶ **No realice nunca el mantenimiento de baterías dañadas.** Cualquier mantenimiento de las baterías debe llevarlo a cabo el fabricante o un centro del Servicio de Atención al Cliente autorizado.

2.2 Manipulación y utilización segura de las baterías

- ▶ Tenga en cuenta las directivas especiales en materia de transporte, almacenamiento y manejo de las baterías de Ion-Litio.
- ▶ Mantenga las baterías alejadas de altas temperaturas, radiación solar directa y fuego.
- ▶ Las baterías no se deben destruir, comprimir, calentar por encima de 80 °C o quemar.
- ▶ No utilice ni cargue baterías que hayan recibido algún golpe, que hayan caído desde una altura superior a un metro o que estén dañadas de alguna otra forma. En este caso, póngase siempre en contacto con el **Hilti Servicio Técnico**.
- ▶ Si al tocar la batería detecta que está muy caliente, puede deberse a una avería en la misma. Coloque el producto en un lugar visible, no inflamable y alejado de materiales inflamables, y deje que se enfríe. En este caso, póngase siempre en contacto con el **Hilti Servicio Técnico**.



2.3 Indicaciones de seguridad adicionales

Seguridad de las personas

- ▶ Utilice guantes de protección al manipular la herramienta. Existe un cierto riesgo de quemaduras, ya que el útil de inserción se calienta durante su uso. Las virutas metálicas y los bordes muy afilados que se generan durante los trabajos comportan riesgo de lesiones.
- ▶ Haga pausas durante el trabajo, así como ejercicios de relajación y estiramiento de los dedos para mejorar la circulación.
- ▶ Utilice protección para los oídos. El ruido constante puede reducir la capacidad auditiva.
- ▶ No trabaje con el producto por encima de la cabeza.

Seguridad eléctrica

- ▶ Encargue la revisión de la herramienta en intervalos regulares al Servicio Técnico de Hilti en caso de tratar con frecuencia materiales conductores. El polvo adherido en la superficie de la herramienta, sobre todo el de los materiales conductores, o la humedad pueden provocar descargas eléctricas cuando se den condiciones desfavorables.
- ▶ Limpie las rejillas de ventilación de su herramienta eléctrica con regularidad. El ventilador del motor conduce el polvo aspirado al interior de la carcasa, de modo que una concentración elevada de polvo de metal podría provocar averías eléctricas.
- ▶ Compruebe antes de empezar a trabajar si la zona de trabajo oculta cables eléctricos, tuberías de gas o cañerías de agua, por ejemplo, con un detector de metales. Las partes metálicas exteriores de la herramienta pueden pasar a conducir electricidad si, por ejemplo, usted daña por error un cable eléctrico.
- ▶ No corte ninguna pieza que sirva de conductor eléctrico.

Seguridad en el puesto de trabajo

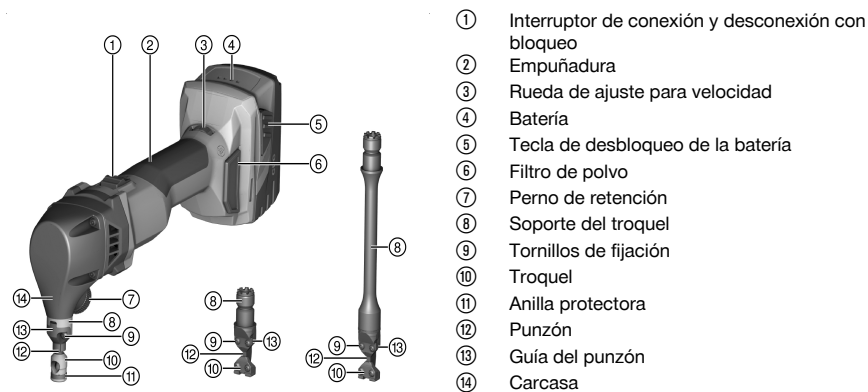
- ▶ Mantenga limpia el área de trabajo. Las virutas de metal son cortantes y pueden provocar arañazos en el suelo.

Manipulación y utilización segura de las herramientas eléctricas

- ▶ Asegúrese de que la herramienta no presente virutas ni suciedad. Ponga especial cuidado en que, en el transcurso del trabajo, no penetren virutas en la zona del interruptor de conexión y desconexión; si las virutas bloquean el interruptor, puede ocurrir que deje de ser posible encender y apagar la herramienta.

3 Descripción

3.1 Vista general del producto 1



3.2 Uso conforme a las prescripciones

El producto descrito es una cortadora de chapa de guiado manual con batería. Está diseñada para el trozado de material punzonable en forma de chapa (p. ej. acero, aluminio, metal no ferroso y plástico), para contornear cantos externos rectos o curvilíneos y para realizar cortes interiores (p. ej. contorneado con trazado). Estos procesos permite obtener bordes afilados sin torsión. En función de los útiles de inserción utilizados, se pueden acometer también aplicaciones adicionales.



2253587



SPN-CN: Este útil de inserción está también diseñado para tronzar tubos, para trabajar con chapa ondulada y para contornear con plantilla. El punzón hueco permite el giro de la cortadora durante el transcurso de la tarea, para poder seguir trabajando en cualquier dirección.

Opcional: SPN-RN y SPN-RL: Estos útiles de inserción permiten aplicaciones adicionales de tronzado de chapas perfiladas (p. ej. trapezoidales, onduladas, en cassette y perfiles en ángulo).

- ▶ Para este producto utilice únicamente las baterías de Ion-Litio de la serie B 22 de **Hilti**.
- ▶ Para estas baterías utilice exclusivamente los cargadores de **Hilti** de la serie C4/36.

3.3 Suministro

Cortadora de chapa, llave Torx, manual de instrucciones

Para garantizar un correcto funcionamiento, utilice exclusivamente piezas de repuesto y consumibles originales. Puede encontrar piezas de repuesto, consumibles y accesorios para su producto que nosotros mismos comercializamos en **Hilti Store** o en: www.hilti.group



Se ha comprobado el funcionamiento del producto antes de su entrega. La superficie de la carcasa puede presentar arañazos mínimos provocados por la pieza de trabajo.

3.4 Protección de la herramienta en función de la temperatura

La protección del motor que depende de la temperatura controla el consumo de corriente y el calentamiento del motor, y protege así la herramienta de un sobrecalentamiento.

En caso de sobrecarga del motor a causa de una presión de apriete elevada, la potencia de la herramienta disminuye notablemente o puede provocar la parada de la herramienta.

En caso de que se produzca una parada o una reducción de la velocidad debido a una sobrecarga, deberá dejar libre de carga la herramienta y mantenerla durante aprox. 30 s en velocidad de giro en vacío.

3.5 Indicador del estado de carga de la batería de Ion-Litio

El estado de carga de la batería de Ion-Litio se visualiza pulsando una de las dos teclas de desbloqueo de la batería.

Estado	Significado
4 LED encendidos.	Estado de carga: 75 % a 100 %
3 LED encendidos.	Estado de carga: 50 % a 75 %
2 LED encendidos.	Estado de carga: 25 % a 50 %
1 LED encendido.	Estado de carga: 10 % a 25 %
1 LED parpadea.	Estado de carga: < 10 %



El estado de carga no puede consultarse mientras la herramienta esté en uso ni inmediatamente después de usarla. Si los LED indicadores del estado de carga de la batería parpadean, observe las indicaciones del capítulo «Ayuda en caso de averías».

4 Datos técnicos

La cortadora de chapa se suministra de serie con el útil de inserción SPN-CN. Los modelos SPN-RN y SPN-RL están disponibles como accesorios opcionales.

	SPN-CN	SPN-RN	SPN-RL
Tensión nominal	21,6 V	21,6 V	21,6 V
Peso (incluida batería) B228.0	3,1 kg (6,8 lb)	3,0 kg (6,6 lb)	3,3 kg (7,3 lb)
Número de carreras en vacío	620 rpm ... 1.370 rpm	620 rpm ... 1.370 rpm	620 rpm ... 1.370 rpm
Diámetro de orificio inicial	17 mm (0,7 in)	24 mm (0,9 in)	24 mm (0,9 in)
Radio menor en cortes curvilíneos	4,0 mm (0,16 in)	/	/



	SPN-CN	SPN-RN	SPN-RL
Radio	/	50 mm (2,0 in)	50 mm (2,0 in)
Ancho de la trayectoria de corte	8,0 mm (0,31 in)	5,0 mm (0,20 in)	5,0 mm (0,20 in)
Grosor admisible de materiales de acero hasta 400 N/mm²	2,0 mm / 14 Ga (0,08 in / 14 Ga)	2,0 mm / 14 Ga (0,08 in / 14 Ga)	2,0 mm / 14 Ga (0,08 in / 14 Ga)
Grosor admisible de materiales de acero hasta 600 N/mm²	1,5 mm / 16 Ga (0,06 in / 16 Ga)	1,5 mm / 16 Ga (0,06 in / 16 Ga)	1,5 mm / 16 Ga (0,06 in / 16 Ga)
Grosor admisible de materiales de acero hasta 800 N/mm²	1,0 mm / 20 Ga (0,04 in / 20 Ga)	1,0 mm / 20 Ga (0,04 in / 20 Ga)	1,0 mm / 20 Ga (0,04 in / 20 Ga)
Grosor admisible de materiales de aluminio hasta 250 N/mm²	2,5 mm/10 Ga (0,10"/10 Ga)	3,0 mm/9 Ga (0,12"/9 Ga)	3,0 mm/9 Ga (0,12"/9 Ga)
Temperatura ambiente en funcionamiento	-17 °C ... 60 °C (1 °F ... 140 °F)	-17 °C ... 60 °C (1 °F ... 140 °F)	-17 °C ... 60 °C (1 °F ... 140 °F)
Temperatura de almacenamiento	-20 °C ... 70 °C (-4 °F ... 158 °F)	-20 °C ... 70 °C (-4 °F ... 158 °F)	-20 °C ... 70 °C (-4 °F ... 158 °F)

4.1 Batería

Tensión de servicio de la batería	21,6 V
Temperatura ambiente en funcionamiento	-17 °C ... 60 °C (1 °F ... 140 °F)
Temperatura de almacenamiento	-20 °C ... 40 °C (-4 °F ... 104 °F)
Temperatura de la batería al comenzar la carga	-10 °C ... 45 °C (14 °F ... 113 °F)

5 Preparación del trabajo

PRECAUCIÓN

Riesgo de lesiones por arranque involuntario.

- ▶ Antes de insertar la batería, asegúrese de que el producto correspondiente esté desconectado.
- ▶ Retire la batería antes de realizar ajustes en la herramienta o de cambiar accesorios.

Respete las indicaciones de seguridad y las advertencias presentes en esta documentación y en el producto.

5.1 Carga de la batería

1. Antes de cargarla, lea el manual de instrucciones del cargador.
2. Asegúrese de que los contactos de la batería y del cargador estén limpios y secos.
3. Cargue la batería en un cargador autorizado.

5.2 Colocación de la batería

PRECAUCIÓN

Riesgo de lesiones por cortocircuito o caída de la batería.

- ▶ Antes de insertar la batería, asegúrese de que los contactos de la batería y del producto estén libres de cuerpos extraños.
- ▶ Asegúrese de que la batería encaje siempre correctamente.

1. Cargue por completo la batería antes de la primera puesta en servicio.
2. Coloque la batería en el soporte de la herramienta hasta que encaje de forma audible.
3. Compruebe que la batería está bien colocada.



2253587

Español

31



5.3 Extracción de la batería

1. Pulse las teclas de desbloqueo de la batería.
2. Extraiga la batería de la herramienta.

5.4 Herramientas 2

Consulte la imagen para averiguar la combinación adecuada de útil de inserción y superficie de trabajo.

Explicación relativa a las superficies de trabajo:

- A: Chapa plana
- B: Chapa ondulada
- C: Chapa trapezoidal (máx. profundidad de perfil: 85 mm)
- D: Chapa trapezoidal (máx. profundidad de perfil: 162 mm)

Para lograr un corte sin rebabas en chapa de hasta 1 mm de grosor con las herramientas SPN-RN y SPN-RL, es posible utilizar el troquel P1. El juego de corte más reducido disminuye la formación de rebabas.

5.5 Desmontaje de la herramienta 3

1. Afloje el perno de fijación girándolo seis veces en sentido antihorario.
2. Extraiga la herramienta de su carcasa.

5.6 Montaje de la herramienta 4

1. Engrase la guía del punzón.
2. Enganche el punzón en la tuerca del vástago.
3. Oriente la dirección de corte hacia delante.
4. Inserte la herramienta en la carcasa con la dirección de corte hacia delante.
5. A continuación, coloque la herramienta en la dirección de corte deseada.
6. Enrosque el perno de retención girándolo en sentido horario y apriételo a mano.
 - No debe quedar espacio entre la carcasa y el soporte del troquel.

5.7 Ajustar la dirección de corte 3

En caso necesario, la dirección de corte se puede orientar en intervalos de 45° a la izquierda o a la derecha. De esta forma, es más fácil trabajar con placas perfiladas y configurar la cortadora para usarla con la mano izquierda o la mano derecha.

1. Afloje el perno de retención girándolo tres veces en sentido antihorario hasta que no ofrezca más resistencia.
2. Extraiga ligeramente la herramienta de la carcasa y gírela en la dirección deseada.
 - Existen 8 posiciones posibles de encaje.
3. Vuelva a encajar la herramienta en la posición deseada de la carcasa.
4. Enrosque el perno de retención girándolo en sentido horario y apriételo a mano.
 - No debe quedar espacio entre la carcasa y el soporte del troquel.

5.8 Ajuste del número de carreras

- ▶ Use la rueda de ajuste para ajustar el número de carreras.

6 Manejo

Respete las indicaciones de seguridad y las advertencias presentes en esta documentación y en el producto.

6.1 Conexión

1. Presione la parte posterior del interruptor de conexión y desconexión.
2. Empuje el interruptor de conexión y desconexión hacia delante.
 - El motor funciona.
3. Bloquee el interruptor de conexión y desconexión.



6.2 Cortar 5

ADVERTENCIA

Precaución Cortadora sobrecargada por falta de afilado de las herramientas.

- ▶ Compruebe con regularidad que el filo del punzón no esté desgastado. Para que la cortadora de chapa se mantenga en buen estado, sustituya periódicamente el punzón.

1. Engrase ligeramente la trayectoria de corte con aceite para prolongar la vida útil del punzón y para mejorar el rendimiento de corte.
2. Conecte el producto. → página 32
3. Si se alcanza la velocidad máxima, extraiga la cortadora de la pieza de trabajo.
 - ↳ En cortes interiores, prepare primero el orificio de inicio adecuado para la herramienta utilizada.
4. Proceda con la línea de corte deseada.
5. Una vez finalizado el corte, desconecte el producto. Si se termina la trayectoria de corte en la pieza de trabajo, haga retroceder la herramienta encendida algunos milímetros antes de apagarla.

- No coloque la cortadora de chapa sobre las virutas hasta que no esté completamente parada; de lo contrario, el motor podría absorberlas.

6.3 Corte con plantilla 5

Opción: SPN-CN

El corte con plantilla requiere las siguientes condiciones:

- El grosor de la plantilla debe oscilar entre 5 y 7 mm.
- El borde de la plantilla debe quedar a una distancia de 2,5 del borde de corte.
- Tenga en cuenta que el valor mínimo del radio es de 4 mm; así pues, el radio mínimo de la plantilla debe ser de 6,5 mm.
- Es preciso guiar la cortadora de tal modo que el borde exterior de la guía del punzón quede siempre apoyado en la plantilla.

6.4 Desconexión

- ▶ Presione la parte posterior del interruptor de conexión y desconexión.
 - ↳ El interruptor de conexión y desconexión pasa a la posición de desconexión y el motor se detiene.

7 Accesorios opcionales

7.1 Montaje de la bolsa para virutas 7

Opción: SPN-CN

Para que las virutas no se esparzan sin control, es posible montar una bolsa para recogerlas.

1. Presione los dos extremos del resorte de la bolsa para virutas.
2. Coloque el resorte en la parte inferior del troquel y suelte ambos extremos.
3. Compruebe que tanto el resorte como la bolsa para virutas estén correctamente fijados.

8 Cuidado y mantenimiento

ADVERTENCIA

Riesgo de lesiones con la batería colocada !

- ▶ Extraiga siempre la batería antes de llevar a cabo tareas de cuidado y mantenimiento.

Mantenimiento de la herramienta

- Retire con cuidado la suciedad fuertemente adherida.
- Retire el filtro de polvo y límpielo cuidadosamente junto con las rejillas de ventilación con un cepillo seco.
- Limpie la carcasa utilizando únicamente un paño ligeramente humedecido. No utilice limpiadores que contengan silicona, ya que esta podría afectar a las piezas de plástico.



2253587



Cuidado de las baterías de Ion-Litio

- Mantenga la batería limpia y sin residuos de aceite o grasa.
- Limpie la carcasa utilizando únicamente un paño ligeramente humedecido. No utilice limpiadores que contengan silicona, ya que esta podría afectar a las piezas de plástico.
- Evite la penetración de humedad.

Mantenimiento

- Compruebe con regularidad si las piezas visibles están dañadas o si los elementos de manejo funcionan correctamente.
- No utilice el producto si presenta daños o fallos que afecten al funcionamiento. Llévela de inmediato al Servicio Técnico de **Hilti** para que la reparen.
- Coloque todos los dispositivos de protección después de las tareas de cuidado y mantenimiento y compruebe su correcto funcionamiento.



Para garantizar un correcto funcionamiento, utilice exclusivamente piezas de repuesto y consumibles originales. Puede encontrar piezas de repuesto, consumibles y accesorios para su producto que nosotros mismos comercializamos en **Hilti Store** o en: www.hilti.group.

8.1 Sustitución del punzón



Cada vez que cambie el punzón, compruebe el nivel de desgaste del troquel, la guía del punzón y la placa de desgaste (no en el modelo SPN-CN); en caso necesario, sustituya estos elementos.

1. Desmonte la herramienta. → página 32
2. Extraiga de la herramienta el punzón desgastado.
3. Engrase el nuevo punzón y su guía en la herramienta.
4. Si se dispone del siguiente equipamiento, siga este paso adicional:

Opción: SPN-RL

- ▶ Monte el alargador del vástago entre el propio vástago y el punzón y engráselo.

5. Monte la herramienta. → página 32

8.2 Sustitución del troquel

Opción: SPN-CN

1. Deslice hacia arriba la anilla protectora de la tuerca.
2. Presione el pasador cilíndrico con un mandril apropiado.
3. Extraiga el troquel de su pasador de soporte.
4. Introduzca el nuevo troquel en el pasador de soporte.
5. Vuelva a montar el pasador cilíndrico.
6. Vuelva a deslizar la anilla protectora bajo la tuerca y asegúrese de que todo esté correctamente asentado.

8.3 Sustitución de la guía del punzón

Opción: SPN-CN

PRECAUCIÓN

Riesgo de daños en el producto y las herramientas de corte.

- ▶ Limpie la rosca antes de montar los tornillos de fijación.
- ▶ Utilice siempre los tornillos de fijación nuevos suministrados y observe el par de apriete indicado.

1. Desmonte el troquel. → página 34
2. Retire los tornillos de fijación.
3. Extraiga la guía del punzón.
4. Coloque la nueva guía del punzón.



5. Ensamble los tornillos de fijación con el par de giro indicado.

Datos técnicos	
Par de apriete	3 Nm (2 ftlb ₁)

6. Vuelva a montar el troquel.

8.4 Sustitución del troquel, la guía del punzón y la placa de desgaste **11, 12**

Opción: SPN-RN
O SPN-RL

PRECAUCIÓN

Riesgo de daños en el producto y las herramientas de corte.

- ▶ Limpie la rosca antes de montar los tornillos de fijación.
- ▶ Utilice siempre los tornillos de fijación nuevos suministrados y observe el par de apriete indicado.

1. Retire los tornillos de fijación.
2. Extraiga la guía del punzón y el troquel.
3. Compruebe el estado de desgaste de la placa de desgaste.

Resultado

En caso de apreciarse signos claros de desgaste:

- ▶ Extraiga la placa de desgaste y coloque una nueva.

4. Limpie las superficies de reposo del soporte del troquel.
5. Centre la guía del punzón y el troquel con ayuda de unas clavijas.
6. Apriete a mano los tornillos de fijación.
7. Engrase las superficies de guiado de la guía del troquel.
8. Apriete en cruz los tornillos de fijación al par de giro indicado.

Datos técnicos	
Par de apriete	3 Nm (2 ftlb ₁)

9 Transporte y almacenamiento de las herramientas alimentadas por batería

Transporte

PRECAUCIÓN

Arranque involuntario en el transporte !

- ▶ Transporte sus productos siempre sin batería.
- ▶ Retire las baterías.
- ▶ No transporte nunca las baterías sin embalaje.
- ▶ Compruebe si la herramienta o las baterías presentan daños tras haber sido transportadas durante mucho tiempo.

Almacenamiento

PRECAUCIÓN

Daños imprevistos debido a una batería defectuosa o agotada !

- ▶ Guarde su productos siempre sin batería.
- ▶ Guarde la herramienta y las baterías en un lugar lo más seco y fresco posible.
- ▶ No guarde nunca las baterías en un lugar expuesto al sol, sobre un radiador o detrás de una luna de cristal.
- ▶ Guarde la herramienta y las baterías fuera del alcance de niños y personas no autorizadas.
- ▶ Compruebe si la herramienta o las baterías presentan daños tras haber sido almacenadas durante mucho tiempo.



2253587




10 Ayuda en caso de averías

Si se producen averías que no estén incluidas en esta tabla o que no pueda solucionar usted, diríjase al Servicio Técnico de **Hilti**.

10.1 Localización de averías

Anomalia	Posible causa	Solución
La batería se descarga con más rapidez de lo usual.	Temperatura ambiente demasiado baja.	▶ Deje que la batería alcance poco a poco la temperatura ambiente.
La batería no se enclava con un «clic» audible.	Suciedad en las lengüetas de la batería.	▶ Limpie las lengüetas y vuelva a colocar la batería.
1 LED parpadea. La herramienta no funciona.	La batería está descargada.	▶ Cambie la batería y recargue la batería vacía.
	La batería está demasiado fría o demasiado caliente.	▶ Deje que la batería se caliente o se enfríe poco a poco hasta alcanzar la temperatura ambiente.
Los 4 LED parpadean. La herramienta no funciona.	La herramienta está sobrecargada.	▶ Suelte el conmutador de control y vuélvalo a accionar. A continuación, mantenga la herramienta durante aprox. 30 s en marcha en vacío.
Calentamiento considerable de la herramienta o la batería.	Error en el sistema eléctrico.	▶ Desconecte la herramienta de inmediato, extraiga la batería, compruébela, deje que se enfríe y póngase en contacto con el Servicio Técnico de Hilti .
La herramienta no desarrolla toda la potencia.	Se ha empleado una batería con muy poca capacidad.	▶ Utilice una batería con suficiente capacidad.
Rendimiento de corte decreciente	Punzón desgastado	▶ Sustituya el punzón. → página 34
Sin función de frenado del motor.	La batería está descargada.	▶ Cambie la batería y recargue la batería vacía.
	La herramienta se ha sobrecargado brevemente.	▶ Desconecte la herramienta y vuélvala a conectar.

11 Reciclaje

Las herramientas  **Hilti** están fabricadas en su mayor parte con materiales reutilizables. La condición para dicha reutilización es una separación adecuada de los materiales. En muchos países, **Hilti** recoge las herramientas usadas para su recuperación. Pregunte en el Servicio de Atención al Cliente de **Hilti** o a su asesor de ventas.

Eliminación de las baterías

Los gases y líquidos originados por una eliminación indebida de las baterías pueden ser perjudiciales para la salud.

- ▶ No envíe baterías dañadas bajo ningún concepto.
- ▶ Cubra las conexiones con un material no conductor para evitar cortocircuitos.
- ▶ Deshágase de las baterías de tal forma que no terminen en manos de niños.
- ▶ Elimine la batería en su **Hilti Store** o diríjase a su empresa de desechos.



- ▶ No deseche las herramientas eléctricas, los aparatos eléctricos ni las baterías junto con los residuos domésticos.



12 Garantia del fabricante

- ▶ Si tiene alguna consulta acerca de las condiciones de la garantía, póngase en contacto con su sucursal local de **Hilti**.

Manual de instruções original

1 Indicações sobre a documentação

1.1 Sobre esta documentação

- Antes da colocação em funcionamento, leia esta documentação. Esta é a condição para um trabalho seguro e um manuseamento sem problemas.
- Tenha em atenção as instruções de segurança e as advertências nesta documentação e no produto.
- Guarde o manual de instruções sempre junto do produto e entregue-o a outras pessoas apenas juntamente com este manual.

1.2 Explicação dos símbolos

1.2.1 Advertências

As advertências alertam para perigos durante a utilização do produto. São utilizadas as seguintes palavras de aviso:

PERIGO

PERIGO !

- ▶ Indica perigo iminente que pode originar acidentes pessoais graves ou até mesmo fatais.

AVISO

AVISO !

- ▶ Indica um possível perigo que pode causar graves ferimentos pessoais, até mesmo fatais.





CUIDADO

CUIDADO !

- ▶ Indica uma situação potencialmente perigosa que pode originar ferimentos ligeiros ou danos materiais.


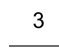

1.2.2 Símbolos na documentação

Nesta documentação são utilizados os seguintes símbolos:

	Leia o manual de instruções antes da utilização
	Instruções de utilização e outras informações úteis
	Manuseamento com materiais recicláveis
	Não deitar as ferramentas eléctricas e baterias no lixo doméstico

1.2.3 Símbolos nas figuras

Em figuras são utilizados os seguintes símbolos:

	Estes números referem-se à respectiva imagem no início deste Manual
	A numeração reproduz uma sequência dos passos de trabalho na imagem e pode divergir dos passos de trabalho no texto
	Na figura Vista geral são utilizados números de posição que fazem referência aos números da legenda na secção Vista geral do produto



2253587

Português

37



Este símbolo pretende despertar a sua atenção durante o manuseamento do produto.

1.3 Símbolos dependentes do produto

1.3.1 Símbolos no produto

No produto, podem usar-se os seguintes símbolos:

	O produto suporta a transmissão de dados sem fios, que é compatível com plataformas iOS e Android.
	Série utilizada da bateria de iões de lítio Hilti . Tenha em atenção as indicações no capítulo Utilização conforme a finalidade projectada .
	Nunca utilize a bateria como ferramenta de percussão.
	Não deixe cair a bateria. Não utilize baterias que tenham recebido uma pancada ou que estejam, de outra forma, danificadas.
Li-Ion	Bateria de iões de lítio
	Corrente contínua
	Use óculos de protecção

1.4 Dados informativos sobre o produto

Os produtos destinam-se ao utilizador profissional e só podem ser operados, mantidos e reparados por pessoal autorizado, devidamente qualificado. Estas pessoas deverão estar informadas em particular sobre os potenciais perigos. O produto e seu equipamento auxiliar podem representar perigo se usados incorrectamente por pessoas não qualificadas ou se usados para fins diferentes daqueles para os quais foram concebidos.

A designação e o número de série são indicados na placa de características.

- ▶ Registe o número de série na tabela seguinte. Precisa dos dados do produto para colocar questões ao nosso representante ou posto de serviço de atendimento aos clientes.

Dados do produto

Cortador	SPN 6-A22
Geração:	01
N.º de série:	

1.5 Declaração de conformidade

Declaramos sob nossa exclusiva responsabilidade que o produto aqui descrito está em conformidade com as directivas e normas em vigor. Na parte final desta documentação encontra uma reprodução do organismo de certificação.

As documentações técnicas estão aqui guardadas:

Hilti Entwicklungsgesellschaft mbH | Zulassung Geräte | Hiltistraße 6 | 86916 Kaufering, DE

2 Segurança

2.1 Normas de segurança gerais para ferramentas eléctricas

⚠ AVISO Leia todas as normas de segurança, instruções, imagens e dados técnicos, com os quais esta ferramenta eléctrica está equipada. O não cumprimento das instruções a seguir pode resultar em choque eléctrico, incêndio e/ou ferimentos graves.

Guarde bem todas as normas de segurança e instruções para futura referência.

O termo "ferramenta eléctrica" utilizado nas normas de segurança refere-se a ferramentas com ligação à corrente eléctrica (com cabo de alimentação) ou a ferramentas a bateria (sem cabo).



Segurança no posto de trabalho

- ▶ **Mantenha a sua área de trabalho limpa e bem iluminada.** Locais desarrumados ou mal iluminados podem ocasionar acidentes.
- ▶ **Não utilize a ferramenta eléctrica em ambientes explosivos ou na proximidade de líquidos ou gases inflamáveis.** Ferramentas eléctricas produzem faíscas que podem provocar a ignição de pó e vapores.
- ▶ **Mantenha crianças e terceiros afastados durante os trabalhos.** Distracções podem conduzir à perda de controlo sobre a ferramenta.

Segurança eléctrica

- ▶ **A ficha da ferramenta eléctrica deve servir na tomada. A ficha não deve ser modificada de modo algum. Não utilize quaisquer adaptadores com ferramentas eléctricas com ligação terra.** Fichas originais (não modificadas) e tomadas adequadas reduzem o risco de choque eléctrico.
- ▶ **Evite o contacto do corpo com superfícies ligadas à terra, como, por exemplo, canos, radiadores, fogões e frigoríficos.** Existe um risco elevado de choque eléctrico se o corpo estiver com ligação à terra.
- ▶ **As ferramentas eléctricas não devem ser expostas à chuva nem à humidade.** A infiltração de água numa ferramenta eléctrica aumenta o risco de choque eléctrico.
- ▶ **Não use o cabo de ligação para transportar, pendurar ou desligar a ferramenta eléctrica da tomada. Mantenha o cabo de ligação afastado de calor, óleo, arestas vivas ou partes em movimento.** Cabos de ligação danificados ou emaranhados aumentam o risco de choque eléctrico.
- ▶ **Quando operar uma ferramenta eléctrica ao ar livre, utilize apenas cabos de extensão próprios para utilização no exterior.** A utilização de um cabo de extensão próprio para utilização no exterior reduz o risco de choques eléctricos.
- ▶ **Utilize um disjuntor diferencial se não puder ser evitada a utilização da ferramenta eléctrica em ambiente húmido.** A utilização de um disjuntor diferencial reduz o risco de choque eléctrico.

Segurança física

- ▶ **Esteja alerta, observe o que está a fazer, e tenha prudência ao trabalhar com uma ferramenta eléctrica. Se estiver cansado ou sob influência de drogas, álcool ou medicamentos não efectue nenhum trabalho com ferramentas eléctricas.** Um momento de distração ao operar a ferramenta eléctrica pode causar ferimentos graves.
- ▶ **Use equipamento de segurança. Use sempre óculos de protecção.** Equipamento de segurança, como, por exemplo, máscara antipoeiras, sapatos de segurança antiderrapantes, capacete de segurança ou protecção auricular, de acordo com o tipo e aplicação da ferramenta eléctrica, reduzem o risco de lesões.
- ▶ **Evite um arranque involuntário. Assegure-se de que a ferramenta eléctrica está desligada antes de a ligar à fonte de alimentação e/ou à bateria, pegar nela ou a transportar.** Transportar a ferramenta eléctrica com o dedo no interruptor ou ligar uma ferramenta à tomada com o interruptor ligado (ON) pode resultar em acidentes.
- ▶ **Remova quaisquer chaves de ajuste (chaves de fenda), antes de ligar a ferramenta eléctrica.** Um acessório ou chave deixado preso numa parte rotativa da ferramenta pode causar ferimentos.
- ▶ **Evite posturas corporais desfavoráveis. Mantenha sempre uma posição correcta, em perfeito equilíbrio.** Desta forma será mais fácil manter o controlo sobre a ferramenta eléctrica em situações inesperadas.
- ▶ **Use roupa apropriada. Não use roupa larga ou jóias. Mantenha o cabelo, vestuário e luvas afastados das peças móveis.** Roupas largas, jóias ou cabelos compridos podem ficar presos nas peças móveis.
- ▶ **Se poderem ser montados sistemas de remoção e de recolha de pó, assegure-se de que estes estão ligados e são utilizados correctamente.** A utilização de um sistema de remoção de pó pode reduzir os perigos relacionados com a exposição ao mesmo.
- ▶ **Não se acomode numa falsa sensação de segurança e não ignore os regulamentos de segurança para ferramentas eléctricas, mesmo se estiver familiarizado com a ferramenta eléctrica após numerosas utilizações.** Agir de forma descuidada pode causar ferimentos graves dentro duma fracção de segundo.

Utilização e manuseamento da ferramenta eléctrica

- ▶ **Não sobrecarregue a ferramenta. Use para o seu trabalho a ferramenta eléctrica correcta.** Com a ferramenta eléctrica adequada obterá maior eficiência e segurança se respeitar os seus limites.
- ▶ **Não utilize a ferramenta eléctrica se o interruptor estiver defeituoso.** Uma ferramenta eléctrica que já não possa ser accionada pelo interruptor é perigosa e deve ser reparada.





- ▶ **Retire a ficha da tomada e/ou remova uma bateria amovível antes de efectuar ajustes na ferramenta, substituir acessórios ou guardar a ferramenta.** Esta medida preventiva evita o accionamento accidental da ferramenta eléctrica.
- ▶ **Guarde ferramentas eléctricas não utilizadas fora do alcance das crianças. Não permita que a ferramenta seja utilizada por pessoas não familiarizadas com a mesma ou que não tenham lido estas instruções.** Ferramentas eléctricas operadas por pessoas não treinadas são perigosas.
- ▶ **Faça uma manutenção regular de ferramentas eléctricas e acessórios. Verifique se as partes móveis funcionam perfeitamente e não emperram ou se há peças quebradas ou danificadas que possam influenciar o funcionamento da ferramenta eléctrica. Peças danificadas devem ser reparadas antes da utilização da ferramenta.** Muitos acidentes são causados por ferramentas eléctricas com manutenção deficiente.
- ▶ **Mantenha as ferramentas de corte sempre afiadas e limpas.** Acessórios com gumes afiados tratados correctamente emperram menos e são mais fáceis de controlar.
- ▶ **Utilize a ferramenta eléctrica, acessórios, bits, etc., de acordo com estas instruções. Tome também em consideração as condições de trabalho e o trabalho a ser efectuado.** A utilização da ferramenta eléctrica para outros fins além dos previstos, pode ocasionar situações de perigo.
- ▶ **Mantenha punhos e respectivas superfícies secos, limpos e isentos de óleo e gordura.** Punhos e superfícies afins escorregadios não permitem um manuseamento e controlo seguro da ferramenta eléctrica em situações imprevistas.

Utilização e manuseamento da ferramenta a bateria

- ▶ **Apenas deverá carregar as baterias em carregadores recomendados pelo fabricante.** Num carregador adequado para um determinado tipo de baterias existe perigo de incêndio se for utilizado para outras baterias.
- ▶ **Nas ferramentas eléctricas utilize apenas as baterias previstas.** A utilização de outras baterias pode causar ferimentos e riscos de incêndio.
- ▶ **Quando a bateria não estiver em uso, mantenha-a afastada de outros objectos de metal, como, por exemplo, cliques, moedas, chaves, pregos, parafusos, ou outros pequenos objectos metálicos que possam ligar em ponte os contactos.** Um curto-circuito entre os contactos da bateria pode causar queimaduras ou incêndio.
- ▶ **Utilizações inadequadas podem provocar derrame do líquido da bateria. Evite o contacto com este líquido. No caso de contacto accidental, enxágue imediatamente com água. Se o líquido entrar em contacto com os olhos, procure auxílio médico.** O líquido que escorre da bateria pode provocar irritações ou queimaduras da pele.
- ▶ **Não utilize uma bateria danificada ou modificada.** Baterias danificadas ou modificadas podem ter um comportamento imprevisível e causar fogo, explosão ou risco de ferimentos.
- ▶ **Não exponha uma bateria ao fogo ou a temperaturas excessivas.** Fogo e temperaturas superiores a 130 °C (265 °F) podem provocar uma explosão.
- ▶ **Cumpra todas as instruções sobre o carregamento e nunca carregue a bateria ou a ferramenta a bateria fora da faixa de temperaturas indicada no manual de instruções.** O carregamento errado ou fora da faixa de temperaturas permitida pode destruir a bateria e aumentar o risco de incêndio.

Manutenção

- ▶ **A sua ferramenta eléctrica só deve ser reparada por pessoal qualificado e só devem ser utilizadas peças sobressalentes originais.** Isto assegurará que a segurança da ferramenta se mantenha.
- ▶ **Nunca faça a manutenção de baterias danificadas.** Qualquer manutenção de baterias só deverá ser realizada pelo fabricante ou serviços de assistência técnica autorizados.

2.2 Utilização e manutenção de baterias

- ▶ Observe as regras específicas sobre transporte, armazenagem e utilização de baterias de iões de lítio.
- ▶ Mantenha as baterias afastadas de temperaturas elevadas, radiação solar directa e fogo.
- ▶ As baterias não podem ser desmanteladas, esmagadas, aquecidas acima dos 80 °C ou incineradas.
- ▶ Não utilize ou carregue quaisquer baterias que tenham sofrido golpes, tenham caído de altura superior a um metro ou tenham sido danificadas de outra forma. Neste caso, contacte sempre o seu **Centro de Assistência Técnica Hilti**.
- ▶ Se a bateria estiver demasiado quente ao toque, poderá estar com defeito. Coloque o produto num local que não constitua risco de incêndio, suficientemente afastado de materiais combustíveis, onde possa ser vigiado e deixe-o arrefecer. Neste caso, contacte sempre o seu **Centro de Assistência Técnica Hilti**.



2.3 Normas de segurança adicionais

Segurança física

- ▶ Use luvas de protecção quando estiver a trabalhar com o produto. O acessório fica quente devido à utilização, existe risco de queimadura. As arestas de corte e limalhas que se formam possuem arestas vivas, existe risco de ferimento.
- ▶ Faça pausas para relaxar os músculos e melhorar a circulação sanguínea nas mãos.
- ▶ Use protecção auricular. Ruído em excesso pode levar à perda de audição.
- ▶ Não trabalhe com o produto invertido.

Segurança eléctrica

- ▶ Deste modo, as ferramentas utilizadas frequentemente para trabalhar materiais condutores e, conseqüentemente, muito sujas, devem ser verificadas regularmente num Centro de Assistência Técnica Hilti. Humidade ou sujidade na superfície da ferramenta dificultam o seu manuseamento e, sob condições desfavoráveis, podem causar choques eléctricos.
- ▶ Limpe regularmente as saídas de ar da sua ferramenta eléctrica. O ventilador do motor aspira poeiras para dentro da carcaça, podendo originar perigos de origem eléctrica devido a uma forte acumulação de pós metálicos.
- ▶ Antes de iniciar os trabalhos, verifique o local de trabalho relativamente a cabos eléctricos encobertos, bem como tubos de gás e água, por ex., com um detector de metais. Partes metálicas externas da ferramenta podem transformar-se em condutores de corrente se, por ex., danificam involuntariamente uma linha eléctrica.
- ▶ Não corte peças que possam conduzir corrente.

Segurança no posto de trabalho

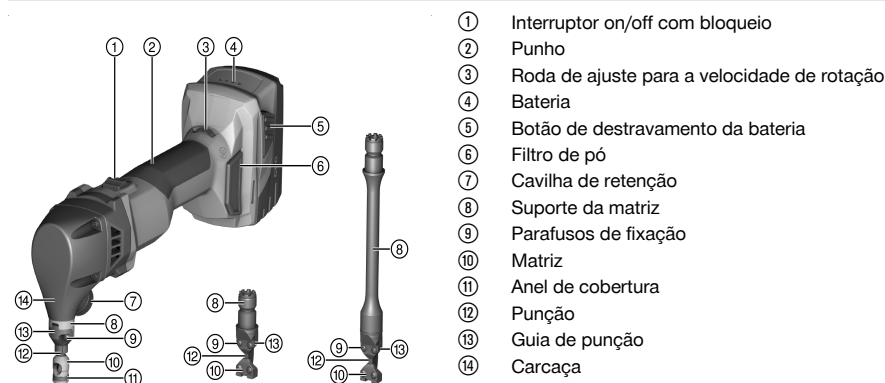
- ▶ Mantenha a área de trabalho limpa. As limalhas são afiadas e podem dar origem a arranhões no chão.

Utilização e manutenção de ferramentas eléctricas

- ▶ Certifique-se que o produto está livre de limalhas e de sujidade. Preste atenção, para que durante o trabalho, não chegue limalha à área do interruptor on/off. A limalha poderia bloquear o interruptor on/off, fazendo com que não fosse mais possível desligar o produto.

3 Descrição

3.1 Vista geral do produto



3.2 Utilização conforme a finalidade projectada

O produto descrito é um cortador a bateria de utilização manual. Destina-se a cortar peças em forma de placas em material apto para estampagem, tal como, aço, alumínio, metal não ferroso e plástico, para cortar arestas exteriores rectas ou curvas e cortes internos, e para cortar pelo traçado. O processo de corte resulta em arestas de corte sem torção. Em função do acessório utilizado resultam aplicações adicionais.

SPN-CN: Este acessório destina-se adicionalmente para cortar tubos, para trabalhar chapas onduladas e para cortar de acordo com molde. O punção redondo oco permite ao cortador ser rodado no local durante os trabalhos e prosseguir o trabalho em qualquer direcção.



2253587

Português

41



Opcional: SPN-RN e SPN-RL: Estes acessórios destinam-se ainda a cortar chapas de perfil, tais como, chapa trapezoidal, chapa ondulada, chapa tipo cassete e secções de perfil angulares.

- ▶ Para este produto, utilize apenas as baterias de iões de lítio **Hilti** da série B 22.
- ▶ Para estas baterias, utilize apenas os carregadores **Hilti** da série C4/36.

3.3 Incluído no fornecimento

Cortador, chave de Torx, manual de Instruções

Para um funcionamento seguro, utilize apenas peças sobresselentes e consumíveis originais. Poderá encontrar peças sobresselentes, consumíveis e acessórios aprovados por nós para o seu produto no seu **Hilti Store** ou em: www.hilti.group



O funcionamento do produto foi testado antes da sua entrega. Podem, por isso, existir arranhões na superfície da carcaça causados pela peça a trabalhar.

3.4 Protecção da ferramenta dependente da temperatura

O sistema de protecção do motor evita que a ferramenta entre em sobreaquecimento, monitorizando a potência de entrada e a temperatura do motor.

Em caso de sobrecarga do motor devido a excessiva pressão de contacto, a potência da ferramenta diminuirá consideravelmente, podendo até o motor parar.

Caso se verifique uma paragem ou uma redução das rotações devido a sobrecarga, alivie a pressão exercida e deixe a ferramenta a trabalhar sem carga por aprox. 30 segundos.

3.5 Indicador do estado de carga da bateria de iões de lítio

O estado de carga da bateria de iões de lítio é exibido depois de pressionado um dos dois botões de destravamento da bateria.

Estado	Significado
4 LED acendem.	Estado de carga: 75% a 100%
3 LED acendem.	Estado de carga: 50% a 75%
2 LED acendem.	Estado de carga: 25% a 50%
1 LED acende.	Estado de carga: 10% a 25%
Pisca 1 LED.	Estado de carga: < 10%



Não é possível a consulta do estado de carga durante e imediatamente a seguir aos trabalhos. Se os LED do indicador do estado de carga da bateria estiverem a piscar, leia as indicações no capítulo Ajuda em caso de avarias.

4 Características técnicas

O cortador é fornecido de série com o acessório SPN-CN. SPN-RN e SPN-RL estão disponíveis como acessórios opcionais.

	SPN-CN	SPN-RN	SPN-RL
Tensão nominal	21,6 V	21,6 V	21,6 V
Peso incluindo bateria B228.0	3,1 kg (6,8 lb)	3,0 kg (6,6 lb)	3,3 kg (7,3 lb)
Número de cursos em vazio	620 rpm ... 1 370 rpm	620 rpm ... 1 370 rpm	620 rpm ... 1 370 rpm
Diâmetro do furo inicial	17 mm (0,7 in)	24 mm (0,9 in)	24 mm (0,9 in)
Menor raio em caso de recortes curvos	4,0 mm (0,16 in)	•/•	•/•
Raio	•/•	50 mm (2,0 in)	50 mm (2,0 in)



	SPN-CN	SPN-RN	SPN-RL
Largura do traçado de corte	8,0 mm (0,31 in)	5,0 mm (0,20 in)	5,0 mm (0,20 in)
Espessura de material admissível aço até 400 N/mm²	2,0 mm / 14 Ga (0,08 in / 14 Ga)	2,0 mm / 14 Ga (0,08 in / 14 Ga)	2,0 mm / 14 Ga (0,08 in / 14 Ga)
Espessura de material admissível aço até 600 N/mm²	1,5 mm / 16 Ga (0,06 in / 16 Ga)	1,5 mm / 16 Ga (0,06 in / 16 Ga)	1,5 mm / 16 Ga (0,06 in / 16 Ga)
Espessura de material admissível aço até 800 N/mm²	1,0 mm / 20 Ga (0,04 in / 20 Ga)	1,0 mm / 20 Ga (0,04 in / 20 Ga)	1,0 mm / 20 Ga (0,04 in / 20 Ga)
Espessura de material admissível alumínio até 250 N/mm²	2,5 mm / 10 Ga (0,10 pol. / 10 Ga)	3,0 mm / 9 Ga (0,12 pol. / 9 Ga)	3,0 mm / 9 Ga (0,12 pol. / 9 Ga)
Temperatura ambiente durante o funcionamento	-17 °C ... 60 °C (1 °F ... 140 °F)	-17 °C ... 60 °C (1 °F ... 140 °F)	-17 °C ... 60 °C (1 °F ... 140 °F)
Temperatura de armazenagem	-20 °C ... 70 °C (-4 °F ... 158 °F)	-20 °C ... 70 °C (-4 °F ... 158 °F)	-20 °C ... 70 °C (-4 °F ... 158 °F)

4.1 Bateria

Tensão de serviço da bateria	21,6 V
Temperatura ambiente durante o funcionamento	-17 °C ... 60 °C (1 °F ... 140 °F)
Temperatura de armazenagem	-20 °C ... 40 °C (-4 °F ... 104 °F)
Temperatura da bateria no início do carregamento	-10 °C ... 45 °C (14 °F ... 113 °F)

5 Preparação do local de trabalho

⚠ CUIDADO

Risco de ferimentos devido a arranque involuntário!

- ▶ Antes de encaixar a bateria, certifique-se de que o produto correspondente está desligado.
- ▶ Remova a bateria, antes de efectuar ajustes na ferramenta ou substituir acessórios.

Tenha em atenção as instruções de segurança e as advertências nesta documentação e no produto.

5.1 Carregar a bateria

1. Antes de carregar, leia o manual de instruções do carregador.
2. Certifique-se de que os contactos da bateria e do carregador estão limpos e secos.
3. Carregue a bateria num carregador aprovado.

5.2 Colocar a bateria

⚠ CUIDADO

Risco de ferimentos devido a curto-circuito ou queda da bateria!

- ▶ Antes de encaixar a bateria, certifique-se de que os contactos da bateria e os contactos no produto estão livres de corpos estranhos.
- ▶ Certifique-se de que a bateria engata sempre corretamente.

1. A bateria deve ser completamente carregada antes da primeira utilização.
2. Insira a bateria no suporte da ferramenta, até engatar de forma audível.
3. Verifique se a bateria está correctamente encaixada.



2253587

Português

43



5.3 Retirar a bateria

1. Pressione os botões de destravamento da bateria.
2. Puxe a bateria para fora da ferramenta.

5.4 Ferramentas 2

Na imagem pode consultar a combinação adequada do acessório com o material de base.

Explicação dos materiais base:

- A: Chapa plana
- B: Chapa ondulada
- C: Chapa trapezoidal (profundidades de perfil até no máx. 85 mm)
- D: Chapa trapezoidal (profundidades de perfil até no máx. 162 mm)

Para com as ferramentas SPN-RN e SPN-RL efectuar um corte sem rebarbas na chapa com até 1 mm de espessura, poderá utilizar-se a matriz P1. A menor folga de corte diminui a formação de rebarbas.

5.5 Desmontar a ferramenta 3

1. Solte a cavilha de retenção, rodando-a seis voltas no sentido anti-horário.
2. Puxe a ferramenta para fora da caixa.

5.6 Montar a ferramenta 4

1. Lubrifique a guia de punção.
2. Engate o punção na ranhura do êmbolo.
3. Oriente a direcção de corte para a frente.
4. Introduza a ferramenta, com a direcção de corte para a frente, na caixa.
5. Em seguida, posicione a ferramenta na direcção de corte pretendida.
6. Enrosque a cavilha de retenção no sentido horário e aperte-a à mão.
 - ↳ Entre a caixa e o suporte da matriz não deve existir nenhuma fenda.

5.7 Ajustar a direcção de corte 3

Se for necessário, é possível rodar a direcção de corte para a direita ou para a esquerda, em passos de 45°. Isso permite-lhe trabalhar mais facilmente chapas de perfil e ajustar o cortador para manuseamento com a mão direita/mão esquerda.

1. Solte a cavilha de retenção aprox. três voltas no sentido anti-horário, até que deixe de ser perceptível qualquer retenção.
2. Puxe a ferramenta um pouco para fora da caixa e rode-a no sentido pretendido.
 - ↳ Existem oito posições de retenção possíveis.
3. Empurre a ferramenta de volta para a caixa até à posição de retenção pretendida.
4. Enrosque a cavilha de retenção no sentido horário e aperte-a à mão.
 - ↳ Entre a caixa e o suporte da matriz não deve existir nenhuma fenda.

5.8 Regular a velocidade

- ▶ Ajuste o número de cursos através do botão regulador da velocidade de rotação.

6 Utilização

Tenha em atenção as instruções de segurança e as advertências nesta documentação e no produto.

6.1 Ligar

1. Pressione a parte de trás do interruptor on/off.
2. Empurre o interruptor on/off para a frente.
 - ↳ O motor funciona.
3. Bloqueie o interruptor on/off.



6.2 Cortar

AVISO

Cuidado Sobrecarga do cortador devido a ferramentas embotadas!

- ▶ Verifique regularmente se a lâmina do punção está desgastada. Substitua o punção atempadamente de modo a proteger o cortador.

1. Aplique óleo no traçado de corte, de modo a aumentar a vida útil do punção e para melhorar o resultado de corte.
2. Ligue o produto. → Página 44
3. Quando atingir a velocidade de rotação máxima, aproxime o cortador da peça.
 - ↳ Em caso de cortes internos, faça primeiro um furo inicial adequado à ferramenta utilizada.
4. Trabalhe a linha de corte desejada.
5. Depois de terminar o corte, desligue o produto. Se o traçado de corte na peça terminar, puxe primeiro o produto ligado alguns milímetros de volta para o traçado de corte, antes de o desligar.



Não coloque o cortador nas limalhas, enquanto este não tiver parado por completo. As limalhas podem ser aspiradas pelo motor.

6.3 Cortar com molde

Opção: SPN-CN

O corte com molde coloca as seguintes exigências:

- O molde deve ter uma espessura de 5 - 7 mm.
- O contorno do molde deve ter uma distância de 2,5 mm em relação ao contorno de corte.
- Respeite o raio mínimo de 4 mm. O raio mínimo do molde é respectivamente 6,5 mm.
- O cortador deverá ser conduzido de forma a que a aresta exterior da guia de punção esteja sempre encostada no molde.

6.4 Desligar

- ▶ Pressione a parte de trás do interruptor on/off.
 - ↳ O interruptor on/off salta para a posição off e o motor pára.

7 Acessórios opcionais

7.1 Montar saco para limalhas

Opção: SPN-CN

Para que as limalhas não sejam distribuídas de forma descontrolada, poderá montar-se um saco para recolher as limalhas.

1. Aperte as duas extremidades da mola no saco para limalhas.
2. Coloque a mola em torno da extremidade inferior da matriz e solte as extremidades da mola.
3. Verifique se a mola e saco para limalhas estão firmes e correctamente apertados.

8 Conservação e manutenção

AVISO

Risco de lesão com a bateria encaixada !

- ▶ Retire sempre a bateria antes de todos os trabalhos de conservação e manutenção!

Conservação da ferramenta

- Remover a sujidade persistente com cuidado.
- Retire o filtro de pó e limpe o mesmo e as saídas de ar cuidadosamente com uma escova seca.
- Limpar a carcaça apenas com um pano ligeiramente humedecido. Não utilizar produtos de conservação que contenham silicone, uma vez que estes poderiam danificar os componentes de plástico.



2253587

Português

45



Conservação das baterias de íões de lítio

- Manter a bateria limpa e isenta de óleo e gordura.
- Limpar a carcaça apenas com um pano ligeiramente humedecido. Não utilizar produtos de conservação que contenham silicone, uma vez que estes poderiam danificar os componentes de plástico.
- Evitar a entrada de humidade.

Manutenção

- Verificar, regularmente, todos os componentes visíveis quanto a danos e os comandos operativos quanto a funcionamento perfeito.
- Em caso de danos e/ou perturbações de funcionamento, não operar o produto. Mandar reparar de imediato pelo Centro de Assistência Técnica **Hilti**.
- Após os trabalhos de conservação e manutenção, aplicar todos os dispositivos de protecção e verificar o respectivo funcionamento.



Para um funcionamento seguro, utilize apenas peças sobresselentes e consumíveis originais. Poderá encontrar peças sobresselentes, consumíveis e acessórios aprovados por nós para o seu produto no seu **Hilti Store** ou em: www.hilti.group.

8.1 Substituir o punção



Cada vez que substituir o punção, verifique também o desgaste da matriz, da guia de punção e da placa de desgaste (não para SPN-CN) e, se necessário, substitua-os também.

1. Desmonte a ferramenta. → Página 44
2. Retire o punção desgastado da ferramenta.
3. Lubrifique o novo punção e a guia de punção na ferramenta.
4. Se existir o seguinte equipamento, execute adicionalmente esta acção:

Opção: SPN-RL

- ▶ Monte a extensão do êmbolo entre o êmbolo e o punção e lubrifique-o.

5. Monte a ferramenta. → Página 44

8.2 Substituir a matriz

Opção: SPN-CN

1. Empurre o anel de cobertura para cima, para fora da ranhura.
2. Pressione o pino cilíndrico para fora com um punçador adequado.
3. Extraia a matriz do pino de suporte.
4. Coloque a nova matriz no pino de suporte.
5. Volte a montar o pino cilíndrico.
6. Empurre o anel de cobertura para baixo, em direcção à ranhura e verifique se assentou correctamente.

8.3 Substituir a guia de punção

Opção: SPN-CN

CUIDADO

Perigo de danos do produto e das ferramentas de corte!

- ▶ Antes de montar os parafusos de fixação, limpe a rosca dos mesmos.
- ▶ Utilize sempre os parafusos de fixação novos fornecidos e respeite o binário de aperto indicado.

1. Desmonte a matriz. → Página 46
2. Desmonte os parafusos de fixação.
3. Retire a guia de punção.
4. Coloque a nova guia de punção.



5. Monte os parafusos de fixação com o binário prescrito.

Características técnicas	
Binário de aperto	3 Nm (2 ftlb _i)

6. Volte a montar a matriz.

8.4 Substituir a matriz, guia de punção e placa de desgaste 11, 12

Opção: SPN-RN
OU SPN-RL

CUIDADO

Perigo de danos do produto e das ferramentas de corte!

- ▶ Antes de montar os parafusos de fixação, limpe a rosca dos mesmos.
- ▶ Utilize sempre os parafusos de fixação novos fornecidos e respeite o binário de aperto indicado.

1. Desmonte os parafusos de fixação.
2. Retire a guia de punção e a matriz.
3. Verifique se a placa de desgaste apresenta vestígios de desgaste.

Resultado

Se forem visíveis vestígios claros de desgaste:

- ▶ Retire a placa de desgaste e substitua-a por uma nova.
4. Limpe as superfícies de contacto no suporte da matriz.
 5. Centre a guia de punção e a matriz com ajuda da cavilha.
 6. Monte os parafusos de fixação à mão.
 7. Lubrifique as superfícies guia da guia de punção.
 8. Aperte os parafusos de fixação em cruz com o binário prescrito.

Características técnicas	
Binário de aperto	3 Nm (2 ftlb _i)

9 Transporte e armazenamento de ferramentas de baterias recarregáveis

Transporte

CUIDADO

Arranque inadvertido durante o transporte !

- ▶ Transporte os seus produtos sempre sem as baterias colocadas!
- ▶ Retirar as baterias.
- ▶ Nunca transportar as baterias em embalagem solta.
- ▶ Após transporte prolongado, verificar a ferramenta e as baterias quanto a danos, antes da utilização.

Armazenamento

CUIDADO

Dano acidental devido a baterias com defeito ou a perderem líquido !

- ▶ Armazene os seus produtos sempre sem as baterias colocadas!
- ▶ Armazenar a ferramenta e as baterias em local o mais fresco e seco possível.
- ▶ Nunca armazenar as baterias em locais onde fiquem sujeitas à exposição solar, em cima de radiadores ou por trás de um vidro.
- ▶ Armazenar a ferramenta e as baterias fora do alcance de crianças e pessoas não autorizadas.
- ▶ Após armazenamento prolongado, verificar a ferramenta e as baterias quanto a danos, antes da utilização.



2253587


10 Ajuda em caso de avarias

No caso de avarias que não sejam mencionadas nesta tabela ou se não conseguir resolvê-las por si mesmo, contacte o nosso Centro de Assistência Técnica **Hilti**.

10.1 Localização de avarias

Avaria	Causa possível	Solução
A bateria descarrega-se mais depressa do que habitualmente.	Temperatura ambiente muito baixa.	▶ Deixe a bateria aquecer lentamente até à temperatura ambiente.
A bateria não encaixa com clique audível.	Patilhas de fixação na bateria estão sujas.	▶ Limpe as patilhas de fixação e volte a encaixar a bateria.
Pisca 1 LED. A ferramenta não funciona.	A bateria está descarregada.	▶ Substitua a bateria e carregue a bateria descarregada.
	Bateria está demasiado fria ou demasiado quente.	▶ Deixe a bateria aquecer ou arrefecer lentamente até à temperatura ambiente.
Todos os 4 LED piscam. A ferramenta não funciona.	A ferramenta está sobrecarregada.	▶ Largue o interruptor on/off e volte a accioná-lo. Em seguida, deixe trabalhar a ferramenta durante aprox. 30 segundos em vazio.
Ferramenta ou bateria aquece demasiado.	Avaria eléctrica	▶ Desligue a ferramenta imediatamente, retire a bateria, observe a mesma, deixe-a arrefecer e contacte o Centro de Assistência Técnica Hilti .
Fraca performance da ferramenta.	Está introduzida bateria com capacidade insuficiente.	▶ Utilize uma bateria com capacidade suficiente.
Desempenho de corte a diminuir	Punção desgastado	▶ Substitua o punção. → Página 46
Sem função de travagem do motor.	A bateria está descarregada.	▶ Substitua a bateria e carregue a bateria descarregada.
	A ferramenta está temporariamente sobrecarregada.	▶ Desligue e volte a ligar a ferramenta.

11 Reciclagem

 As ferramentas **Hilti** são, em grande parte, fabricadas com materiais recicláveis. Um pré-requisito para a reciclagem é que esses materiais sejam devidamente separados. Em muitos países, a **Hilti** aceita a sua ferramenta usada para reutilização. Para mais informações dirija-se ao Serviço de Clientes **Hilti** ou ao seu vendedor.

Remover baterias

Uma reciclagem incorrecta de baterias pode representar perigo para a saúde devido à fuga de gases ou líquidos.

- ▶ Não envie quaisquer baterias danificadas!
- ▶ Para evitar curto-circuitos, cubra as conexões com um material não condutor.
- ▶ Elimine as baterias de modo a mantê-las longe do alcance das crianças.
- ▶ Efectue a reciclagem da bateria na sua **Hilti Store** ou entre em contacto com a empresa de recolha de lixo responsável.



- ▶ Não deite as ferramentas eléctricas, aparelhos electrónicos e baterias no lixo doméstico!

12 Garantia do fabricante

- ▶ Em caso de dúvidas quanto às condições de garantia, contacte o seu parceiro **Hilti** local.



This Product is Certified
Ce produit est homologué
Producto homologado por
Este producto está registrado





Hilti Corporation
LI-9494 Schaan
Tel.:+423 234 21 11
Fax:+423 234 29 65
www.hilti.com



2253587

Hilti = registered trademark of Hilti Corp., Schaan

Pos. 3 | 20191023