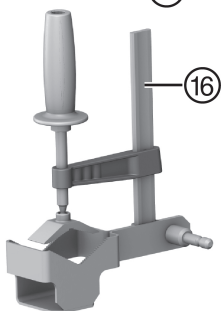
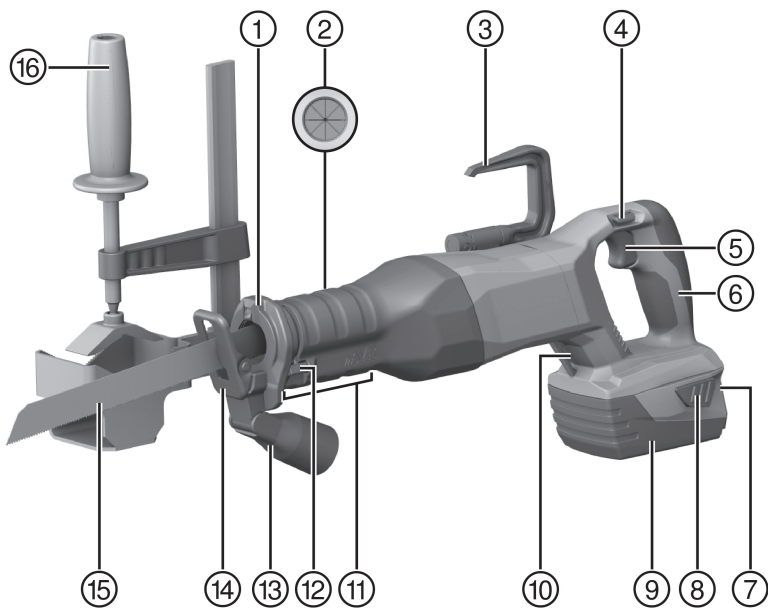




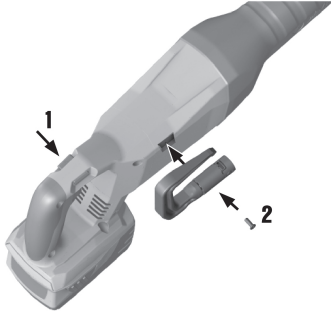
SR 6-A22

English  
עברית

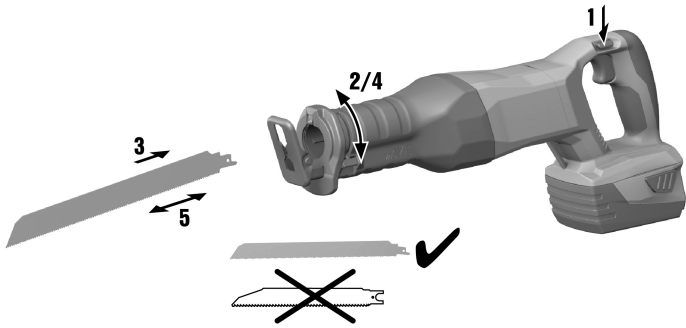
1  
12



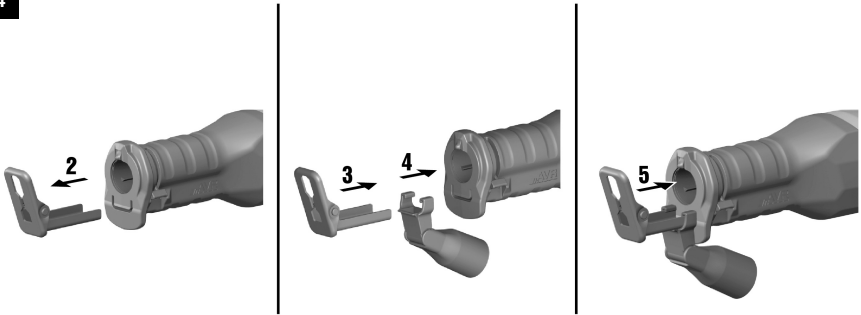
2



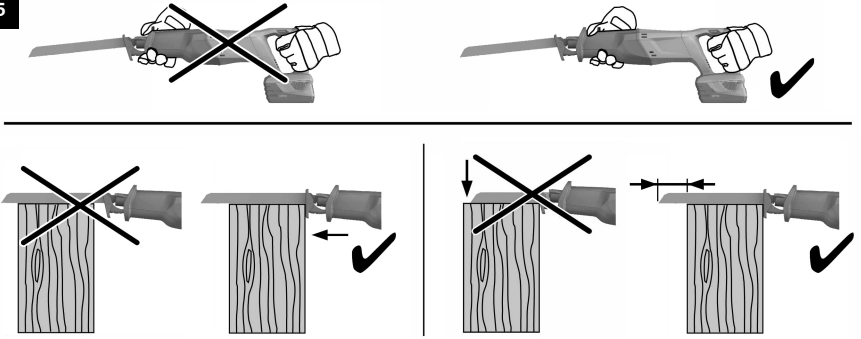
3



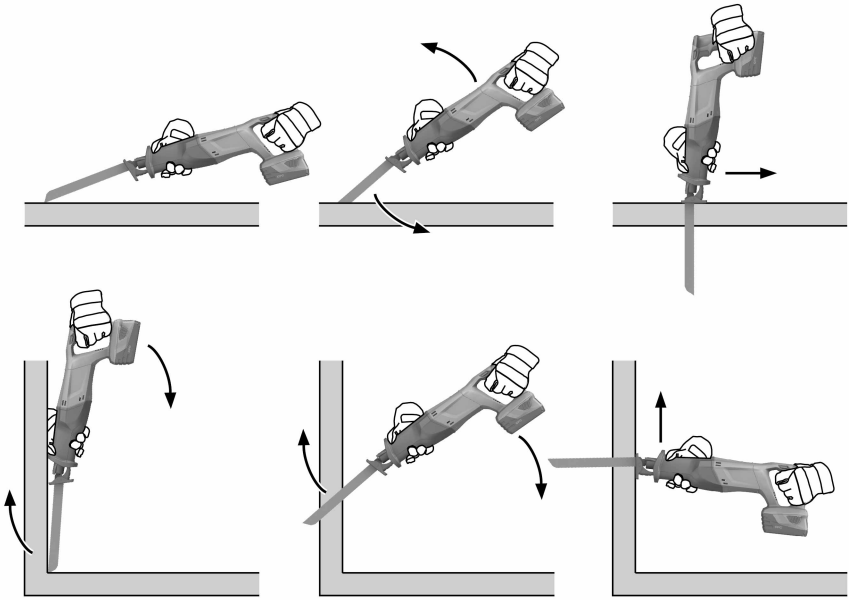
4



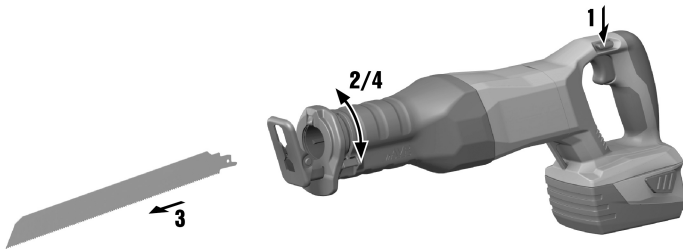
5



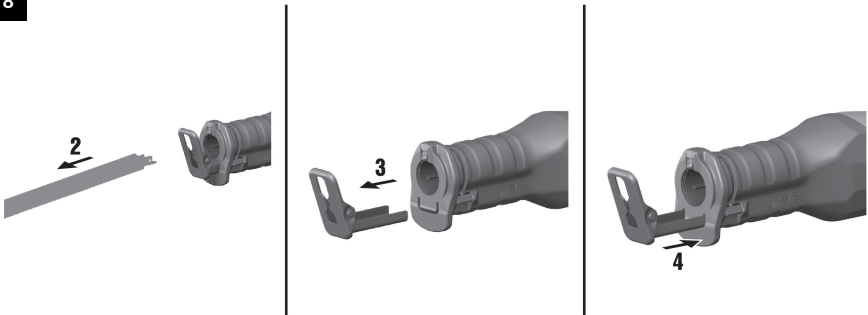
6



7



8



# SR 6-A22

en	Original operating instructions .....	1
he	הוראות הפעלה מקוריות .....	12



# Original operating instructions

## 1 Information about the documentation

### 1.1 About this documentation

- Read this documentation before initial operation or use. This is a prerequisite for safe, trouble-free handling and use of the product.
- Observe the safety instructions and warnings in this documentation and on the product.
- Always keep the operating instructions with the product and make sure that the operating instructions are with the product when it is given to other persons.

### 1.2 Explanation of symbols used

#### 1.2.1 Warnings

Warnings alert persons to hazards that occur when handling or using the product. The following signal words are used:

#### DANGER

##### DANGER !

- ▶ Draws attention to imminent danger that will lead to serious personal injury or fatality.

#### WARNING

##### WARNING !

- ▶ Draws attention to a potential threat of danger that can lead to serious injury or fatality.

#### CAUTION

##### CAUTION !

- ▶ Draws attention to a potentially dangerous situation that could lead to personal injury or damage to the equipment or other property.

#### 1.2.2 Symbols in the documentation

The following symbols are used in this document:

	Read the operating instructions before use.
	Instructions for use and other useful information
	Dealing with recyclable materials
	Do not dispose of electric equipment and batteries as household waste

#### 1.2.3 Symbols in the illustrations

The following symbols are used in illustrations:

	These numbers refer to the corresponding illustrations found at the beginning of these operating instructions
	The numbering reflects the sequence of operations shown in the illustrations and may deviate from the steps described in the text
	Item reference numbers are used in the <b>overview illustrations</b> and refer to the numbers used in the <b>product overview section</b>
	This symbol is intended to draw special attention to certain points when handling the product.



### 1.3 Product-dependent symbols

#### 1.3.1 Symbols on the product

The following symbols can be used on the product:

	Direct current (DC)
$n_0$	Stroke rate under no load
	The product supports wireless data transmission compatible with iOS and Android platforms.
Li-Ion	Li-ion battery
	<b>Hilti</b> Li-ion battery type series used. Observe the information given in the section headed <b>Intended use</b> .
	Never use the battery as a striking tool.
	Do not drop the battery. Never use a battery that has suffered an impact or is damaged in any other way.

### 1.4 Product information

products are designed for professional users and only trained, authorized personnel are permitted to operate, service and maintain the products. This personnel must be specifically informed about the possible hazards. The product and its ancillary equipment can present hazards if used incorrectly by untrained personnel or if used not in accordance with the intended use.

The type designation and serial number are printed on the rating plate.

- ▶ Write down the serial number in the table below. You will be required to state the product details when contacting Hilti Service or your local Hilti organization to inquire about the product.

#### Product information

Reciprocating saw	SR 6-A22
Generation	01
Serial no.	

### 1.5 Declaration of conformity

We declare, on our sole responsibility, that the product described here complies with the applicable directives and standards. A copy of the declaration of conformity can be found at the end of this documentation.

The technical documentation is filed here:

**Hilti** Entwicklungsgesellschaft mbH | Tool Certification | Hiltistrasse 6 | 86916 Kaufering, Germany

## 2 Safety

### 2.1 General power tool safety warnings

**⚠ WARNING** Read all safety warnings, instructions, illustrations and specifications provided with this power tool. Failure to follow all instructions listed below may result in electric shock, fire and/or serious injury. **Save all warnings and instructions for future reference.**

The term "power tool" in the warnings refers to your mains-operated (corded) power tool or battery-operated (cordless) power tool.

#### Work area safety

- ▶ **Keep work area clean and well lit.** Cluttered or dark areas invite accidents.
- ▶ **Do not operate power tools in explosive atmospheres, such as in the presence of flammable liquids, gases or dust.** Power tools create sparks which may ignite the dust or fumes.
- ▶ **Keep children and bystanders away while operating a power tool.** Distractions can cause you to lose control.





### Electrical safety

- ▶ **Power tool plugs must match the outlet. Never modify the plug in any way. Do not use any adapter plugs with earthed (grounded) power tools.** Unmodified plugs and matching outlets will reduce risk of electric shock.
- ▶ **Avoid body contact with earthed or grounded surfaces, such as pipes, radiators, ranges and refrigerators.** There is an increased risk of electric shock if your body is earthed or grounded.
- ▶ **Do not expose power tools to rain or wet conditions.** Water entering a power tool will increase the risk of electric shock.
- ▶ **Do not abuse the cord. Never use the cord for carrying, pulling or unplugging the power tool. Keep cord away from heat, oil, sharp edges or moving parts.** Damaged or entangled cords increase the risk of electric shock.
- ▶ **When operating a power tool outdoors, use an extension cord suitable for outdoor use.** Use of a cord suitable for outdoor use reduces the risk of electric shock.
- ▶ **If operating a power tool in a damp location is unavoidable, use a residual current device (RCD) protected supply.** Use of an RCD reduces the risk of electric shock.

### Personal safety

- ▶ **Stay alert, watch what you are doing and use common sense when operating a power tool. Do not use a power tool while you are tired or under the influence of drugs, alcohol or medication.** A moment of inattention while operating power tools may result in serious personal injury.
- ▶ **Use personal protective equipment. Always wear eye protection.** Protective equipment such as a dust mask, non-skid safety shoes, hard hat or hearing protection used for appropriate conditions will reduce personal injuries.
- ▶ **Prevent unintentional starting. Ensure the switch is in the off-position before connecting to power source and/or battery pack, picking up or carrying the tool.** Carrying power tools with your finger on the switch or energising power tools that have the switch on invites accidents.
- ▶ **Remove any adjusting key or wrench before turning the power tool on.** A wrench or a key left attached to a rotating part of the power tool may result in personal injury.
- ▶ **Do not overreach. Keep proper footing and balance at all times.** This enables better control of the power tool in unexpected situations.
- ▶ **Dress properly. Do not wear loose clothing or jewellery. Keep your hair and clothing away from moving parts.** Loose clothes, jewellery or long hair can be caught in moving parts.
- ▶ **If devices are provided for the connection of dust extraction and collection facilities, ensure these are connected and properly used.** Use of dust collection can reduce dust-related hazards.
- ▶ **Do not let familiarity gained from frequent use of tools allow you to become complacent and ignore tool safety principles.** A careless action can cause severe injury within a fraction of a second.

### Power tool use and care

- ▶ **Do not force the power tool. Use the correct power tool for your application.** The correct power tool will do the job better and safer at the rate for which it was designed.
- ▶ **Do not use the power tool if the switch does not turn it on and off.** Any power tool that cannot be controlled with the switch is dangerous and must be repaired.
- ▶ **Disconnect the plug from the power source and/or remove the battery pack, if detachable, from the power tool before making any adjustments, changing accessories, or storing power tools.** Such preventive safety measures reduce the risk of starting the power tool accidentally.
- ▶ **Store idle power tools out of the reach of children and do not allow persons unfamiliar with the power tool or these instructions to operate the power tool.** Power tools are dangerous in the hands of untrained users.
- ▶ **Maintain power tools and accessories. Check for misalignment or binding of moving parts, breakage of parts and any other condition that may affect the power tool's operation. If damaged, have the power tool repaired before use.** Many accidents are caused by poorly maintained power tools.
- ▶ **Keep cutting tools sharp and clean.** Properly maintained cutting tools with sharp cutting edges are less likely to bind and are easier to control.
- ▶ **Use the power tool, accessories and tool bits etc. in accordance with these instructions, taking into account the working conditions and the work to be performed.** Use of the power tool for operations different from those intended could result in a hazardous situation.
- ▶ **Keep handles and grasping surfaces dry, clean and free from oil and grease.** Slippery handles and grasping surfaces do not allow for safe handling and control of the tool in unexpected situations.



**Battery tool use and care**

- ▶ **Recharge only with the charger specified by the manufacturer.** A charger that is suitable for one type of battery pack may create a risk of fire when used with another battery pack.
- ▶ **Use power tools only with specifically designated battery packs.** Use of any other battery packs may create a risk of injury and fire.
- ▶ **When battery pack is not in use, keep it away from other metal objects, like paper clips, coins, keys, nails, screws or other small metal objects, that can make a connection from one terminal to another.** Shorting the battery terminals together may cause burns or a fire.
- ▶ **Under abusive conditions, liquid may be ejected from the battery; avoid contact. If contact accidentally occurs, flush with water. If liquid contacts eyes, additionally seek medical help.** Liquid ejected from the battery may cause irritation or burns.
- ▶ **Do not use a battery pack or tool that is damaged or modified.** Damaged or modified batteries may exhibit unpredictable behaviour resulting in fire, explosion or risk of injury.
- ▶ **Do not expose a battery pack or tool to fire or excessive temperature.** Exposure to fire or temperature above 130° C (265 °F) may cause explosion.
- ▶ **Follow all charging instructions and do not charge the battery pack or tool outside the temperature range specified in the instructions.** Charging improperly or at temperatures outside the specified range may damage the battery and increase the risk of fire.

**Service**

- ▶ **Have your power tool serviced by a qualified repair person using only identical replacement parts.** This will ensure that the safety of the power tool is maintained.
- ▶ **Never service damaged battery packs.** Service of battery packs should only be performed by the manufacturer or authorized service providers.

**2.2 Safety instructions for reciprocating saws**

- ▶ **Hold the power tool by insulated gripping surfaces, when performing an operation where the cutting accessory may contact hidden wiring.** Cutting accessory contacting a "live" wire may make exposed metal parts of the power tool "live" and could give the operator an electric shock.
- ▶ **Use clamps or another practical way to secure and support the workpiece to a stable platform.** Holding the workpiece by hand or against your body leaves it unstable and may lead to loss of control.

**2.3 Additional safety instructions for saws****Personal safety**

- ▶ Keep your hands away from the cutting area and the blade. Keep your second hand on the auxiliary handle or the motor housing. When both hands are on the saw they cannot be injured by it.
- ▶ Use the product only when it is in perfect working order.
- ▶ Never tamper with or modify the power tool in any way.
- ▶ Wear protective gloves also when changing the accessory tool. Touching the accessory tool presents a risk of injury (cuts or burns).
- ▶ Before starting work, check the hazard class of the dust that will be produced when working. Use an industrial vacuum cleaner with an officially approved protection class in compliance with the locally applicable dust protection regulations. Dust from materials such as lead-based paint, certain types of wood and concrete/masonry/stone containing quartz, minerals or metal can be harmful to health.
- ▶ Make sure that the workplace is well ventilated and, if necessary, wear a respirator appropriate for the type of dust generated. Contact with or inhalation of the dust can cause allergic reactions and/or respiratory or other diseases among operators or bystanders. Only specialists are permitted to handle material containing asbestos.
- ▶ Do not reach underneath the workpiece.
- ▶ Never hold the workpiece with your hand or across your leg. Secure the workpiece in a sturdy holder.
- ▶ Always hold the power tool firmly with both hands on the handles provided for the purpose and position your arms to absorb kickback forces.
- ▶ Keep the grips clean and dry.
- ▶ Position yourself off to one side of the blade, never bring the blade into line with your body. The saw can jump backward toward you if kickback occurs.
- ▶ If the saw blade binds or when you interrupt work for any reason, switch off the saw and hold it motionless in the material until the saw blade comes to a complete stop. Never attempt to remove the saw from the workpiece or pull the saw back while the blade is in motion, as otherwise the saw could kick back.



- ▶ When restarting a saw in the workpiece, center the saw blade in the kerf and check that saw teeth are not in engagement with the workpiece.
- ▶ Use extra caution when sawing into walls or other blind areas. As it enters the material the blade might encounter a hidden obstruction, resulting in kickback.

### Electrical safety

- ▶ Before beginning work, check the working area for concealed electric cables or gas and water pipes. External metal parts of the power tool can become live, presenting a risk of electric shock, if you accidentally damage an electric cable.
- ▶ Hold the power tool by the insulated gripping surfaces when performing work in which the accessory tool might come into contact with concealed wiring. If the accessory tool comes into contact with a live wire, metal parts of the power tool can also become live, resulting in an electric shock.

### Power tool use and care

- ▶ Do not use dull or damaged blades. These cause increased friction and present a high risk of the saw blade binding or kicking back.
- ▶ Comply with the manufacturer's instructions for handling and storing saw blades.
- ▶ The product must be pressed against the workpiece until the contact shoe makes firm contact. This ensures optimum and safe progress as you work.
- ▶ Wear suitable protective clothing as protection against hot particles of material.

## 2.4 Additional safety instructions

- ▶ Use the product only when it is in perfect working order.
- ▶ Never tamper with or modify the power tool in any way.
- ▶ Do not use dull or damaged blades. These cause increased friction and present a high risk of the saw blade binding or kicking back.
- ▶ Before beginning work, check the working area for concealed electric cables or gas and water pipes. External metal parts of the power tool can become live, presenting a risk of electric shock, if you accidentally damage an electric cable.
- ▶ Secure the workpiece in a sturdy holder. Never hold the workpiece with your hand or across your leg.
- ▶ Switch the product on only after bringing it to the working position.
- ▶ When working with the power tool, always guide it away from your body.
- ▶ Apply only moderate pressure and cut at an appropriate speed, especially when cutting large-diameter pipes. This will help to prevent the power tool overheating.
- ▶ Before cutting through pipes, make sure that they are empty of medium. Drain the pipes if necessary.
- ▶ When cutting through pipes, hold the power tool above the level of the pipe you are cutting through.
  - ▶ The power tool is not protected against ingress of moisture. Liquid running out of a pipe can cause a short circuit in the power tool.
- ▶ Never cut into unknown materials and make sure the path of the saw is free of obstructions above and below the workpiece.
  - ▶ The power tool can kick back if the saw blade comes into contact with an obstructing object.
- ▶ Wear protective gloves also when changing the accessory tool. Touching the accessory tool presents a risk of injury (cuts or burns).
- ▶ Always remove the battery when the power tool is not in use, before maintenance, before changing accessory tools and in preparation for and throughout transport.
- ▶ Engage the transport lock before storing or transporting the power tool.
- ▶ Comply with the manufacturer's instructions for handling and storing saw blades.
- ▶ The user and persons in the vicinity must wear suitable protective goggles, a hard hat, ear defenders, protective gloves and light respiratory protection while the power tool is in use.
- ▶ Always use a saw blade of appropriate length. The saw blade must over the workpiece while the complete Hubs stroke.
- ▶ Take breaks between working and do relaxation and finger exercises to improve the blood circulation in your fingers.
- ▶ Do not look directly into the light source (LEDs) of the power tool and do not aim the beam at other persons' faces. Risk of dazzling or eye damage.
- ▶ Flying fragments can injure the body and eyes. Wear your personal protective equipment and always wear protective glasses and protective gloves.
- ▶ If work involves break-through, always secure the area on the side opposite where the work is carried out.

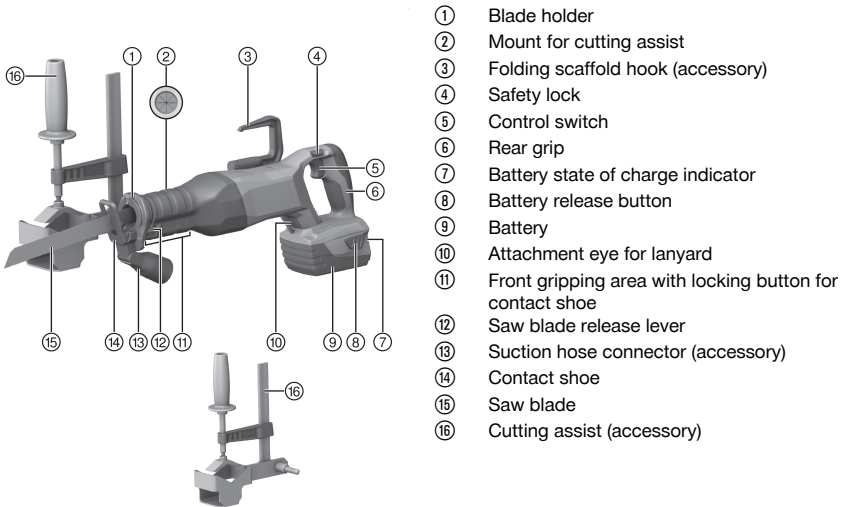


## 2.5 Battery use and care

- ▶ Observe the special guidelines applicable to the transport, storage and use of Li-ion batteries.
- ▶ Do not expose batteries to high temperatures, direct sunlight or fire.
- ▶ Do not disassemble, crush or incinerate batteries and do not subject them to temperatures over 80 °C.
- ▶ Do not use or charge batteries that have suffered mechanical impact, have been dropped from a height or show signs of damage. In this case, always contact your **Hilti Service**.
- ▶ If the battery is too hot to touch it may be defective. Put the battery in a place where it is clearly visible and where there is no risk of fire, at an adequate distance from flammable materials. Allow the battery to cool down. If it is still too hot to touch after an hour, the battery is faulty. Contact **Hilti Service**.

## 3 Description

### 3.1 Product overview



- ① Blade holder
- ② Mount for cutting assist
- ③ Folding scaffold hook (accessory)
- ④ Safety lock
- ⑤ Control switch
- ⑥ Rear grip
- ⑦ Battery state of charge indicator
- ⑧ Battery release button
- ⑨ Battery
- ⑩ Attachment eye for lanyard
- ⑪ Front gripping area with locking button for contact shoe
- ⑫ Saw blade release lever
- ⑬ Suction hose connector (accessory)
- ⑭ Contact shoe
- ⑮ Saw blade
- ⑯ Cutting assist (accessory)

### 3.2 Intended use

The product described is a cordless reciprocating saw. It is designed for cutting wood, wood-like materials, metals and plastics.

The product is designed for two-handed operation.

- ▶ Use only **Hilti** lithium-ion batteries of the B 22 series with this product.
- ▶ Use only **Hilti** battery chargers of the C4/36 series for charging these batteries.

### 3.3 Possible misuse

- ▶ Do not use the power tool to cut bricks, concrete, cellular concrete, natural stone or tiles.
- ▶ Do not use the product to cut pipes that still contain liquids.
- ▶ Do not saw into unknown materials.

### 3.4 Lithium-ion battery status display

The Li-ion battery state of charge and malfunctions of the power tool are indicated by the display on the Li-ion battery. The Li-ion battery state of charge is displayed after pressing one of the two battery release buttons.

Status	Meaning
4 LEDs light.	State of charge: 75 % to 100 %
3 LEDs light.	State of charge: 50 % to 75 %



Status	Meaning
2 LEDs light.	State of charge: 25 % to 50 %
1 LED lights.	State of charge: 10 % to 25 %
1 LED blinks.	State of charge: < 10 %
1 LED blinks, the power tool is not ready for use.	The battery has overheated or is completely discharged.
4 LEDs blink, the power tool is not ready for use.	The power tool is overloaded or has overheated.



Battery state of charge cannot be displayed while the control switch is pressed and for up to 5 seconds after releasing the control switch.

If the battery display LEDs blink, please observe the instructions given in the Troubleshooting section.

### 3.5 Items supplied

Reciprocating saw, operating instructions.

Other system products approved for use with this product can be found at your local **Hilti Store** or at: [www.hilti.group](http://www.hilti.group) | USA: [www.hilti.com](http://www.hilti.com)

## 4 Technical data

	SR 6-A22
<b>Rated voltage</b>	21.6 V
<b>Weight in accordance with EPTA Procedure 01 including B228.0 battery</b>	4.1 kg
<b>Stroke rate</b>	2,600 /min
<b>Stroke length</b>	32 mm
<b>Blade holder</b>	0.5 in
<b>Ambient temperature for operation</b>	-17 °C ... 60 °C
<b>Storage temperature</b>	-20 °C ... 70 °C

### 4.1 Noise information and vibration values in accordance with EN 62841

The sound pressure and vibration values given in these instructions were measured in accordance with a standardized test and can be used to compare one power tool with another. They can also be used for a preliminary assessment of exposure.

The data given represent the main applications of the power tool. However, if the power tool is used for different applications, with different accessory tools, or is poorly maintained, the data can vary. This can significantly increase exposure over the total working period.

An accurate estimation of exposure should also take into account the times when the tool is switched off, or when it is running but not actually being used for a job. This can significantly reduce exposure over the total working period.

Identify additional safety measures to protect the operator from the effects of noise and/or vibration, for example: maintaining the power tool and accessory tools, keeping the hands warm, organization of work patterns.

#### Noise information

	SR 6-A22
<b>Sound power level (<math>L_{WA}</math>)</b>	97 dB(A)
<b>Uncertainty for the sound power level (<math>K_{WA}</math>)</b>	5 dB(A)
<b>Sound pressure level (<math>L_{pA}</math>)</b>	86 dB(A)
<b>Uncertainty for the sound pressure level (<math>K_{pA}</math>)</b>	5 dB(A)

#### Total vibration

	SR 6-A22
<b>Vibration emission value for sawing chipboard (<math>A_{nB}</math>)</b>	17.5 m/s <sup>2</sup>
<b>Uncertainty sawing chipboard (K)</b>	1.6 m/s <sup>2</sup>



	<b>SR 6-A22</b>
<b>Vibration emission value for sawing wooden beams (<math>A_{h,wb}</math>)</b>	21.3 m/s <sup>2</sup>
<b>Uncertainty sawing wooden beams (K)</b>	1.5 m/s <sup>2</sup>

## 4.2 Battery

<b>Battery operating voltage</b>	21.6 V
<b>Ambient temperature for operation</b>	-17 °C ... 60 °C
<b>Storage temperature</b>	-20 °C ... 40 °C
<b>Battery charging starting temperature</b>	-10 °C ... 45 °C

## 5 Preparations at the workplace

### CAUTION

#### Risk of injury by inadvertent starting!

- ▶ Before inserting the battery, make sure that the product is switched off.
- ▶ Remove the battery before making any adjustments to the power tool or before changing accessories.

Observe the safety instructions and warnings in this documentation and on the product.

### 5.1 Charging the battery

1. Before charging the battery, read the operating instructions for the charger.
2. Make sure that the contacts on the battery and the contacts on the charger are clean and dry.
3. Use an approved charger to charge the battery.

### 5.2 Inserting the battery

#### CAUTION

#### Risk of injury by short circuit or falling battery!

- ▶ Before inserting the battery, make sure that the contacts on the battery and the contacts on the product are free of foreign matter.
- ▶ Make sure that the battery always engages correctly.

1. Charge the battery fully before using it for the first time.
2. Push the battery into the battery holder until it engages with an audible click.
3. Check that the battery is seated securely.

### 5.3 Removing the battery

1. Press the battery release buttons.
2. Remove the battery from the tool.

### 5.4 Installing the scaffold hook (accessory)

1. Engage the transport lock.
2. Install the scaffold hook.

### 5.5 Inserting the saw blade



Use only saw blades with a 1/2" connection end.

1. Activate the transport lock or separate the battery from the power tool.
2. Check that the connection end of the accessory tool is clean and lightly greased. Clean it and grease it if necessary.
3. Push the locking lever up as far as it will go and hold it in this position.
4. Push the saw blade into the chuck from in front.



5. Allow the locking lever to return to its original position.
6. Grip and pull the saw blade to check that it is locked in position.

### 5.6 Installing the dust removal adapter (accessory)

1. Pull the contact shoe out.
2. Set the dust removal adapter on the contact shoe mount.
3. Insert the lightly greased contact shoe fully into the guide.

## 6 Operation

---

Observe the safety instructions and warnings in this documentation and on the product.

### 6.1 Guiding the saw

1. Hold the saw by the grips provided for the purpose.
2. Guide the saw to the workpiece.
3. Guide the saw forward and back.
  - ▶ If you press the saw against the workpiece there is a risk of the saw blade breaking and causing injuries.

### 6.2 Sawing

#### WARNING

**Risk of injury by defective scaffold hook!** A falling tool could injure you or others.

- ▶ Before starting work, check that the scaffold hook is secure and undamaged.
- 

1. Disengage the transport lock and press the control switch.
  - ▶ The graphics section illustrates various ways of guiding the saw effectively.
2. Release the control switch when you finish the cut.
3. Engage the transport lock.

### 6.3 Removing the saw blade

#### CAUTION

**Risk of injury!** The accessory tool may be hot and/or have sharp edges.

- ▶ Wear protective gloves when changing the accessory tool.
  - ▶ Never lay down a hot accessory tool on a flammable surface.
- 

1. Engage the transport lock or remove the battery from the power tool.
2. Push the locking lever up as far as it will go and hold it in this position.
3. Pull the blade forward out of the blade holder.
4. Allow the locking lever to return to its original position.

## 7 Care and maintenance

---

#### WARNING

**Risk of injury with battery inserted !**

- ▶ Always remove the battery before carrying out care and maintenance tasks!
- 

#### Care and maintenance of the tool

- Carefully remove stubborn dirt from the tool.
- Clean the air vents carefully with a dry brush.
- Use only a slightly damp cloth to clean the casing. Do not use cleaning agents containing silicone as these can attack the plastic parts.
- Clean and lubricate the chuck from the outside at regular intervals. Use the **Hilti** spray 314648 for this purpose.

#### Care of the Li-ion batteries

- Keep the battery free from oil and grease.



- Use only a slightly damp cloth to clean the casing. Do not use cleaning agents containing silicone as these can attack the plastic parts.
- Avoid ingress of moisture.

#### Maintenance

- Check all visible parts and controls for signs of damage at regular intervals and make sure that they all function correctly.
- Do not operate the product if signs of damage are found or if parts malfunction. Have it repaired immediately by **Hilti Service**.
- After cleaning and maintenance, fit all guards or protective devices and check that they function correctly.



To help ensure safe and reliable operation, use only genuine Hilti spare parts and consumables. Spare parts, consumables and accessories approved by Hilti for use with the product can be found at your local **Hilti Store** or online at: [www.hilti.group](http://www.hilti.group).

### 7.1 Replacing the contact shoe

1. Remove the battery.
2. Remove the saw blade. → page 9
3. Press the contact shoe lock button.
4. Pull the contact shoe out.
5. Press the contact shoe lock button.
6. Insert the lightly greased contact shoe into the guide to the desired position.



The contact shoe can be used in three positions.

7. Check that the contact shoe has engaged.
8. Insert the saw blade. → page 8

## 8 Transport and storage of cordless tools

### Transport

#### CAUTION

#### Accidental starting during transport !

- ▶ Always transport your products with the batteries removed!
- ▶ Remove the battery.
- ▶ Never transport batteries in bulk form (loose, unprotected).
- ▶ Check the tool and batteries for damage before use after long periods of transport.

### Storage

#### CAUTION

#### Accidental damage caused by defective or leaking batteries !

- ▶ Always store your products with the batteries removed!
- ▶ Store the tool and batteries in a place that is as cool and dry as possible.
- ▶ Never store batteries in direct sunlight, on heating units or behind a window pane.
- ▶ Store the tool and batteries in a place where they cannot be accessed by children or unauthorized persons.
- ▶ Check the tool and batteries for damage before use after long periods of storage.

## 9 Troubleshooting

If the trouble you are experiencing is not listed in this table or you are unable to remedy the problem by yourself, please contact **Hilti Service**.





## 9.1 The reciprocating saw is not in working order

Trouble or fault	Possible cause	Action to be taken
Power tool does not start.	The battery is not correctly inserted.	▶ Push the battery in until it engages with a click.
	The battery is empty.	▶ Charge the battery.
	The transport lock is engaged.	▶ Disengage the transport lock.
The saw blade cannot be removed from the chuck.	The locking lever was not pushed as far as it will go.	▶ Push the locking lever as far as it will go and remove the saw blade.
	Chuck clogged by residues from sawing operations.	▶ Remove the residues from sawing operations and regularly clean the chuck from the outside. Care of the power tool. → page 9

## 9.2 The reciprocating saw is in working order

Trouble or fault	Possible cause	Action to be taken
The tool does not achieve full power.	The control switch is not fully pressed.	▶ Press the control switch fully.
	The battery is discharged.	▶ Change the battery and charge the empty battery.
The saw blade cannot be removed from the chuck.	The locking lever was not pushed as far as it will go.	▶ Push the locking lever as far as it will go and remove the saw blade.

## 10 Disposal

Most of the materials from which **Hilti** tools and appliances are manufactured can be recycled. The materials must be correctly separated before they can be recycled. In many countries, your old tools, machines or appliances can be returned to **Hilti** for recycling. Ask **Hilti** Service or your Hilti representative for further information.

### Battery disposal

Improper disposal of batteries can result in health hazards from leaking gases or fluids.

- ▶ DO NOT send batteries through the mail!
- ▶ Cover the terminals with a non-conductive material (such as electrical tape) to prevent short circuiting.
- ▶ Dispose of your battery out of the reach of children.
- ▶ Dispose of the battery at your **Hilti Store**, or consult your local governmental garbage disposal or public health and safety resources for disposal instructions.



- ▶ Do not dispose of power tools, electronic equipment or batteries as household waste!

## 11 RoHS (Restriction of Hazardous Substances)

Click on the link to go to the table of hazardous substances: [qr.hilti.com/r5962267](http://qr.hilti.com/r5962267).

There is a link to the RoHS table, in the form of a QR code, at the end of this document.

## 12 Manufacturer's warranty

- ▶ Please contact your local **Hilti** representative if you have questions about the warranty conditions.



**1 בתוכים על התיעוד**

**1.1 על אודות תיעוד זה**

- קרא את תיעוד זה במלואו לפני השימוש הראשון. רק כך ניתן להבטיח עבודה בטוחה ונטולת תקלות.
- ציית להוראות הבטיחות והאזהרות שבתיעוד זה ולאלה המצוינות על המוצר.
- שמור את הוראות ההפעלה תמיד בצמוד למוצר, והקפד להעביר אותן לאדם שאליו אתה מעביר את המוצר.

**1.2 הסבר הסימנים**

**1.2.1 אזהרות**

האזהרות מזדהרות מפני סכנות בשימוש במוצר. במדריך זה מופיעות מילות המפתח הבאות:

**סכנה** 

**סכנה!**

◀ מציינת סכנה מיידית, המובילה לפציעות גוף קשות או למוות.

**אזהרה** 

**אזהרה!**

◀ מציינת סכנה אפשרית, שיכולה להוביל לפציעות גוף קשות או למוות.





**זהירות** 

**זהירות!**

◀ מציינת מצב שעלול להיות מסוכן ולהוביל לפציעות גוף או לנזקים לרכוש.




**1.2.2 סמלים במסמך זה**

הסמלים הבאים מופיעים בתיעוד זה:

קרא את הוראות ההפעלה לפני השימוש	
הנחיות לשימוש ומידע שימושי נוסף	
טיפול נכון בחומרים למיחזור	
אין להשליך לפסולת הביתית מכשירים חשמליים וסוללות	

**1.2.3 סמלים באיורים**

הסמלים הבאים משמשים באיורים:

מספרים אלה מפנים לאיור המתאים בתחילת חוברת ההוראות	
המספרים באיורים משקפים את רצף הפעולות, והם עשויים להיות שונים מרצף הפעולות המצוינות בטקסט	3
מספרי הפריטים מופיעים באיור <b>סקירה</b> ותואמים את המספרים במקרא בפרק <b>סקירת המוצר</b>	
סימן זה אמור לעורר את תשומת לבך המיוחדת בעת השימוש במוצר.	

**1.3 סמלים ספציפיים למוצר**

**1.3.1 סמלים על המוצר**

הסמלים הבאים עשויים להופיע על המוצר:

זרם ישר	
מהירת להב בסרק	n <sub>0</sub>



המוצר תומך בתעבורת נתונים אלחוטית, המתאימה לשימוש עם פלטפורמות iOS ו-Android.	
סוללת ליתיום-יון	Li-Ion
סדרת דגמי סוללות ליתיום-יון של Hilti שבשימוש. שים לב לנתונים בפרק שימוש בהתאם ליעוד.	
לעולם אין להשתמש בסוללה כפטיש.	
אין להפיל את הסוללה. אין להשתמש בסוללה שנחבטה או שניזוקה באופן אחר.	

#### 1.4 פרטי המוצר

המוצרים של **HILTI** מיועדים למשתמש המקצועי, ורק אנשים מורשים, שעברו הכשרה מתאימה, ראשים לתפעל, לתחזק ולתקן אותם. אנשים אלה חייבים ללמוד באופן מיוחד את הסכנות האפשריות. המוצר המתואר והעזרים שלו עלולים להיות מסוכנים כאשר אנשים שלא עברו הכשרה מתאימה משתמשים בהם באופן לא מקצועי או כאשר משתמשים בהם שלא בהתאם ליעוד. שם הדגם והמספר הסידורי מצוינים על לוחית הדגם.

רשום את המספר הסידורי בטבלה הבאה. בכל פנייה לנציגינו או למעבדת שירות יש לציין את נתוני המוצר.

#### נתוני המוצר

MSR 6-A22	מסור חרב
01	דור
	מס' סידורי

#### 1.5 הצהרת תאימות

אנו מצהירים באחריותנו הבלעדית כי המוצר המתואר כאן תואם את התקנות והתקנים התקפים. בסוף תיעוד זה ישנו צילום של הצהרת התאימות.

התיעוד הטכני שמור כאן:

Hilti Entwicklungsgesellschaft mbH | Zulassung Geräte | Hiltistraße 6 | 86916 Kaufering, DE

#### 2 בטיחות

##### 2.1 הוראות בטיחות כלליות לכלי עבודה חשמליים

**⚠ אזהרה קרא את כל הוראות הבטיחות, ההנחיות, האיומים וההנחיות הטכניים המצורפים לכלי העבודה החשמלי. אי ציות להנחיות עלול להוביל להתחשמלות, לשרפה ו/או לפציעות קשות.**

**שמור את כל הוראות הבטיחות וההנחיות לעיון בעתיד.**

המונח "כלי עבודה חשמלי" המשמש בהוראות הבטיחות מתייחס לכלי עבודה חשמליים המחוברים לרשת החשמל (עם כבל חשמל) או לכלי עבודה חשמליים המופעלים באמצעות סוללה נטענת (ללא כבל חשמל).

##### בטיחות במקום העבודה

שמור על אזור העבודה שלך נקי ודאג לתאורה מספקת. חוסר סדר או תאורה לקויה במקום העבודה עלולים לגרום לתאונות.

אין להפעיל את כלי העבודה החשמלי בסביבה שקיימת בה סכנת פיצוץ או שישים בה נודלים, גדים או אבק דליקים. כלי עבודה חשמליים יוצרים ניצוצות, שעלולים להצית את האבק או האדים.

הרחק ילדים ואנשים אחרים מכלי העבודה החשמלי במהלך השימוש בו. אם דעתך תוסח אתה עלול לאבד את השליטה במכשיר.

##### בטיחות בחשמל

תקע החשמל של כלי העבודה החשמלי חייב להתאים לשקע החשמל. אסור לנשוח בשום אופן את תקע החשמל. אל תשתמש בשקע מתאם ביחד עם כלי עבודה חשמליים הכוללים הגנת הארקה. שימוש בתקעים חשמליים שלא עברו שינוי ושקעי חשמל מתאימים מפחית את הסיכון להתחשמלות.

מנע מגע של הגוף בשטחים מוארקים כגון צינורות, גופי חימום, תנורים ומקררים. קיימת סכנה גבוהה להתחשמלות כאשר הגוף שלך מוארק.

הרחק כלי עבודה חשמליים מגשם או רטיבות. חדירת מים לכלי העבודה החשמלי מגדילה את הסיכון להתחשמלות.

אל תשתמש בכבל החשמל למטרות שלא לשמן הוא נועד, לדוגמה: אל תרים את כלי העבודה החשמלי באמצעות הכבל ואל תנסה לנתק את התקע משקע החשמל במשיכה מהכבל. הרחק את הכבל מחום, שמן, פינות חדות או מחלקים נעים. כבלים שניזוקו או שהסתבכו בחלקים אחרים מגדילים את הסיכון להתחשמלות.

כאשר אתה עובד עם כלי העבודה החשמלי בחוץ, השתמש רק בכבל מאריך המיועד לשימוש חיצוני. שימוש בכבל מאריך המתאים לשימוש חיצוני מפחית את הסיכוי להתחשמלות.



אם לא ניתן להימנע משימוש בכלי העבודה החשמלי בסביבה לחה, השתמש במסר פחת. השימוש במסר פחת מפחית את הסיכון להתחשמלות.

**בטיחות של אנשים**

- היה ערני, שים לב למה שאתה עושה, ופעל בתבונה כאשר אתה עובד עם כלי עבודה חשמלי. אל תפעיל כלי עבודה חשמליים כשאתה עייף או תחת השפעת סמים, אלכוהול או תרופות. די ברגע אחד של חוסר תשומת-לב בדמן השימוש בכלי העבודה החשמלי כדי לגרום פציעות קשות.
- לבש תמיד ציוד מגן ומשקפי מגן. לבישת ציוד מגן אישי, כגון מסכת אבק, נעלי בטיחות מונעות החלקה, קסדת מגן או מגני שמיעה – בהתאם לסוג השימוש בכלי העבודה החשמלי – מקטינה את הסיכון לפציעות.
- מנע הפעלה בשוגג. ודא שכלי העבודה החשמלי כבוי לפני שאתה מחבר אותו לאספקת החשמל ו/או לפני שאתה מחבר את הסוללה ולפני הרמתו. אל תניח את אצבעך על המתג בדמן שאתה נושא את המכשיר ואל תחבר אותו לאספקת החשמל כאשר הוא מופעל, אחרת עלולות להיגרם תאונות.
- הרחק כלי כוונון או מפתחות ברגים לפני שאתה מפעיל את כלי העבודה החשמלי. כלי עבודה או מפתחות הנמצאים בקרבת חלקים מסתובבים עלולים לגרום פציעות.
- הימנע מתנוחות גוף לא נכונות. עמוד באופן יציב ושומר תמיד על שיווי משקל. כך תוכל לשלוט טוב יותר בכלי העבודה החשמלי במצבים לא צפויים.
- לבש בגדים מתאימים. אל תלבש בגדים רחבים או תכשיטים. הרחק את השער, הבגדים וכפפות מחלקים נעים. בגדים רופפים, תכשיטים ושיער ארוך עלולים להיתפס בחלקים נעים.
- כאשר ניתן להתקיין התקני שאיבת אבק ולכידה יש לוודא שהם מחוברים לחשמל, ויש להקפיד להשתמש בהם בצורה נכונה. שימוש בהתקין שאיבת אבק מקטין את הסכנות הנובעות מהאבק.
- אל תהיה שאנן בנושאי בטיחות ואל תתעלם מהוראות בטיחות של כלי עבודה חשמליים, גם אם השתמשת במכשיר פעמים רבות ואתה מכיר אותו היטב. התנהגות רשלנית עלולה להוביל לפציעות קשות בתוך שניות.

**שימוש וטיפול בכלי העבודה החשמלי**

- אל תפעיל עומס רב מדי על המכשיר. השתמש בכלי העבודה החשמלי המתאים לעבודה שאתה מבצע. כלי העבודה החשמלי המתאים מבטיח לך עבודה טובה ובטוחה יותר בתחום ההספק הנקוב.
- אל השתמש בכלי העבודה אם המתג שלו אינו תקין. כלי עבודה חשמלי שלא ניתן עוד להפעיל או לכבות אותו מהווה סכנה ויש לתקנו.
- נתק את תקע החשמל מהשקע ו/או הסר את הסוללה לפני שאתה מבצע כוונונים במכשיר, מחליף כלים או לאחר שאתה מפסיק לעבוד עם המכשיר. אמצעי זהירות זה מונע הפעלה בשוגג של כלי העבודה החשמלי.
- שמור כלי עבודה חשמליים שאינם בשימוש הרחק מהישג ידם של ילדים. אל תאפשר לאנשים שאינם יודעים כיצד להשתמש במכשיר או שלא קראו את ההוראות להשתמש במכשיר. כלי עבודה חשמליים הם מסוכנים כאשר משתמשים בהם אנשים חסרי ניסיון.
- טפל בכלי עבודה חשמליים ובאביזרים בהקפדה. בדוק אם החלקים הנעים פועלים בצורה חלקה ואינם נתקעים, אם ישנם חלקים שבורים או מקולקלים המשבשים את הפעולה התקינה של כלי העבודה החשמלי. לפני השימוש במכשיר דאג לתיקון חלקים לא תקינים. תאונות רבות נגרמו עקב תחזוקה לקויה של כלי עבודה חשמליים.
- שמור על כלי החיתוך חדים ונקיים. כלי חיתוך מטופלים היטב, שלהביהם חדים נתקעים פחות וקלים יותר לתפעול.
- השתמש בכלי העבודה החשמלי, באביזרים, בכלי העבודה הנוספים וכן הלאה בהתאם להוראות אלה. התחשב בתנאי העבודה ובפעולה שעליך לבצע. שימוש בכלי העבודה החשמלי למטרות אחרות מאלה שלשמן הוא מיועד עלול להיות מסוכן.
- שמור על ידיות ואזורים אחידה נקיים מלכלוך משומן ומגריז. ידיות ואזורים אחידה חלקים אינם מאפשרים תפעול בטוח ושליטה טובה בכלי העבודה החשמלי במצבים לא צפויים.

**שימוש וטיפול בכלי עבודה נטענים**

- שמור את הסוללות ריקות במטענים שהומלצו על ידי היצרן. טעינה של סוללה במטען המיועד לטעינה של סוללות מסוג אחר עלולה לגרום לשרפה.
- השתמש לשם כך רק בסוללות המתאימות לכלי העבודה החשמלי. שימוש בסוללות אחרות עלול לגרום לשרפות.
- שמור סוללות שאינן בשימוש הרחק ממהדקי נייר משרדיים, ממטבעות, מפתחות, מסמרים, ברגים או חפצים מתכתיים קטנים אחרים שיכולים לגשר בין המגעיים. קצר בין מגעי הסוללה עלול לגרום לכוייות או לשרפה.
- שימוש שגוי עלול לגרום לדליפת נוזלים מהסוללה. אל תיגע בנוזלים אלה. אם נגעת בהם במקרה, שטוף את האזור במים. אם הנוזל נוגע בעיניים, פנה לרופא. נחל סוללות שדלף עלול לגרום לגירויים בעור ולכוויות.
- אין להשתמש בסוללה ששונתה או שניזוקה. סוללות שניזוקו או שנערכו בהן שינויים עשויות להגיב בצורה לא צפויה ולגרום לשרפה, לפיצוץ ולפציעות.
- אין לחשוף סוללות לאש או לטמפרטורות גבוהות. אש או טמפרטורות גבוהות מ-130°C (265°F) עלולות לגרום לפיצוץ.
- ציית לכל ההנחיות הנוגעות לטעינה, ואף פעם אל תטען את הסוללה או את הכלי עם הסוללה בסביבה שהטמפרטורה בה נמצאת מחוץ לטווח המצוין בהוראות ולהגביר את הסיכון לשרפה.

**שירות**

- דאג לתיקון כלי העבודה החשמלי שלך רק בידי טכנאים מוסמכים, המשתמשים בחלקי חילוף מקוריים בלבד. כך תבטיח שמירה על בטיחות העבודה במכשיר.
- אל תטפל בעצמך בסוללות שניזוקו. רק היצרן או מעבדה מורשית מטעמו רשאים לטפל בסוללות.



## 2.2 הוראות בטיחות לניסור באמצעות להב המתנודד מצד לצד

- ▶ אחוז כבלי העבודה החשמלי במקומות האחידה המבודדים כאשר אתה מבצע עבודות שבהן כלי העבודה עלול לפגוע בקווי חשמלי מוסתרים. מגע בקווים המוליכים זרם עלול להעביר זרם גם לחלקים מתכתיים במכשיר שלך ולגרום להתחשמלות.
- ▶ יש להדק את כלי העבודה למשטח יציב, באמצעות כליבות או באופן אחר. כשמחזיקים את החלק ביד בלבד או רק מצמידים אותו לגוף, הוא נותר לא יציב, מה שעלול להוביל לאובדן השליטה בחלק.

## 2.3 הנחיות בטיחות נוספות לניסור

### בטיחות של אנשים

- ▶ אל תשלח ידיים לאדור המסור ולהב המסור. החזק ביד השנייה את הידית הנוספת או את בית המנוע. אם שתי ידיך יחזיקו במסור, הלהב לא יוכל לפצוע אותך בניסור.
- ▶ השתמש במוצר רק בתנאי שהוא נמצא במצב טכני מושלם.
- ▶ אל תבצע בשום אופן מניפולציות או שינויים במכשיר.
- ▶ לבש כפפות בטיחות גם בעת החלפת כלי. מגע כבלי עלול לגרום לפציעות ולכוויות.
- ▶ בדוק לפני תחילת העבודה את דירוג הסכנה של אבק החומר שבו תעבוד. השתמש בשואב אבק מקצועי בעל דירוג הגנה מאושר, התואם את תקנות החוק הנוגעות להגנה מאבק. אבק של חומרים דוגמת צבעים המכילים עופרת, סוגי עץ מסוימים, בטון/קירות/אבנים המכילות קוורץ ומינרלים כגון מתכת עלול להזיק לבריאות.
- ▶ דאג לאורווה טוב במקום העבודה, ובמקרה הצורך לבש גם מסכת נשימה המתאימה לסוג האבק שבו אתה עובד. נגיעה בסוגי אבק אלה או שאיפתם עלולה לגרום לתגובות אלרגיות ו/או למחלות בדרכי הנשימה של המשתמש או של אנשים הנמצאים בקרבת מקום. רק מומחים רשאים לעבוד בחומרים המכילים אסבסט.
- ▶ אל תאחד מתחת לחלק שבעבודה.
- ▶ בשום אופן אל תחזיק בידך או ברגליך את החלק שברצונך לנסר. הדק את החלק שבעבודה למחזיק יציב.
- ▶ אחוז את המכשיר היטב בידיות האחידה בשתי ידיך, והחזק את זרועותיך במצב שבו תוכל לספוג את כוחות הרטע.
- ▶ שמור על ידיות האחידה נקיות ויבשות.
- ▶ עמוד תמיד בצד להב המסור, לעולם אל תביא את המסור לקו אחד עם הגוף שלך. כשנוצר רתע המסור עשוי לקפוץ אחורה!
- ▶ במקרה שלבה המסור נתקע או שאתה מפסיק לעבוד, כבה את המסור והחזק את המסור יציב בחלק שבעבודה עד שלהב המסור נעצר. אל תנסה בשום אופן להרחיק את להב המסור מהחלק שבעבודה או למשוך אותו אחורה כל עוד להב המסור נע, אחרת עלול להתרחש רתע.
- ▶ אם ברצונך להפעיל מחדש מסור שתקוע בחלק שבעבודה, עליך למרכז את להב המסור בחריץ המנוסר ולוודא ששיני הלהב אינן תקועות בחלק.
- ▶ היה זהיר במיוחד בניסור בקירות קיימים או בחלקים אחרים שאינך יכול לראות מה קורה בתוכם. כאשר להב המסור חודר פנימה הוא עשוי להיתקע בעצמים מוסתרים ולגרום לרתע.

### בטיחות בחשמל

- ▶ לפני תחילת העבודה יש לבדוק אם ישנם כבלי חשמל, צינורות גז או מים נסתרים. חלקים מתכתיים חיוניים במכשיר יכולים לגרום להתחשמלות אם הם פוגעים בשוגג בקווי חשמל.
- ▶ כאשר אתה מבצע עבודות שבהן כלי העבודה עלול לפגוע בקווי חשמלי מוסתרים אחוז במכשיר במקומות האחידה המבודדים. מגע בקווים המוליכים זרם עלול להעביר זרם גם לחלקים מתכתיים במכשיר שלך ולגרום להתחשמלות.

### טיפול ושימוש קפדניים בכלי עבודה חשמליים

- ▶ אל השתמש בלהבי מסור קהים או פגומים. אלה מגבירים את החיכוך, את סיכויי ההילכדות של הלהב והרתע של להב המסור.
- ▶ שים לב להנחיות היצרן בנוגע לטיפול ולאחסון של להבי מסור.
- ▶ יש להצמיד את המוצר לחלק שבעבודה בעזרת לוחית ההצמדה. כך תבטיח עבודה מיטבית ונטושה.
- ▶ לבש לבוש מגן מתאים כדי להגן על עצמך מפני שבבים לוחטים.

## 2.4 הוראות בטיחות נוספות

- ▶ השתמש במוצר רק בתנאי שהוא נמצא במצב טכני מושלם.
- ▶ אל תבצע בשום אופן מניפולציות או שינויים במכשיר.
- ▶ אל תשתמש בלהבי מסור קהים או פגומים. אלה מגבירים את החיכוך, את סיכויי ההילכדות של הלהב והרתע של להב המסור.
- ▶ לפני תחילת העבודה יש לבדוק אם ישנם כבלי חשמל, צינורות גז או מים נסתרים. חלקים מתכתיים חיוניים במכשיר יכולים לגרום להתחשמלות אם הם פוגעים בשוגג בקווי חשמל.
- ▶ הדק את החלק שבעבודה למקום יציב. בשום אופן אל תחזיק בידך או ברגליך את החלק שברצונך לנסר.
- ▶ הפעל את המוצר רק כשאתה נמצא בעמדת העבודה.
- ▶ עבוד תמיד מהגוף והלאה.
- ▶ הפעל לחץ מתון בעבודה, והתקדם במהירות הולמת, במיוחד בחיתוך צינורות בקטרים גדולים. כך תמנע התחממות-יתר של המכשיר.
- ▶ בחיתוך צינורות יש לוודא שהם ריקים מנוזלים. רוקן אותם במקרה הצורך.



- ◀ החזק את המכשיר גבוה יותר מהצנרת שאתה מנסר.
- ◀ המכשיר אינו מוגן מפני חדירת לחות. נודלים שדלפו עלולים לגרום לקצר במכשיר.
- ◀ לעולם אל תחתוך חומרים שאינם מוכרים לך, וודא שנתיב החיתוך מלמעלה ומלמטה פנוי.
- ◀ להב המסור עשוי לגרום לרתע של המכשיר כשהוא נתקל בעצם כלשהו.
- ◀ לבש כפפות בטיחות גם בעת החלפת כלי. מגע בכלי עלול לגרום לפציעות ולכוויות.
- ◀ הסר תמיד את הסוללה כשאינך משתמש במכשיר, לפני עבודות תחזוקה, לפני החלפת כלים ובזמן ההובלה.
- ◀ הפעל את אבטחת ההובלה לפני אחסון והובלה של המכשיר.
- ◀ שים לב להנחיות היצרן בנוגע לטיפול ולאחסון של להבי מסור.
- ◀ כל זמן שהמכשיר נמצא בעבודה חייבים המשתמש ואנשים הנמצאים בקרבת מקום להשתמש במשקפי מגן ובקסדת מגן מתאימים, בכפפות הגנה, במגני שמיעה, במסכת נשימה קלה ובנעלי בטיחות.
- ◀ השתמש תמיד בלהב מסור באורך מתאים להב המסור חייב לבלוט מעבר לחלק שבעבודה במשך כל שלבי התנועה שלו.
- ◀ ערוך הפסקות בעבודה כמו גם תרגילי הרפיה ותרגילי אצבעות כדי לשפר את זרימת הדם לאצבעותיך.
- ◀ אין להביטי ישירות לתאורה (לד) ואין להאיר ישירות לפנייהם של אנשים אחרים. סכנת סנוור.
- ◀ שבבי חומר שניתדדים עלולים לפצוע את הגוף והעיניים. לבש תמיד ציוד מגן אישי ומשקפי מגן וכפפות הגנה.
- ◀ עבודות פריצה יש לאבטח את האזור בצד הנגדי של מקום העבודה שלך.

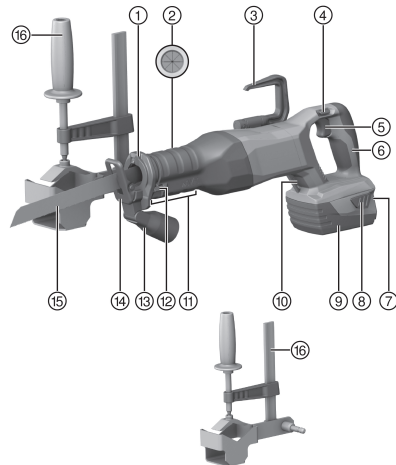
**2.5 טיפול ושימוש קדפניים בסוללות נטענות**

- ◀ ציית לתקנות הנוגעות להובלה, אחסון והפעלה של סוללות נטענות מסוג ליתיום-יון.
- ◀ הרחק את הסוללות ממקומות חמים מאוד, מקרבת שמש ישירה ומאש.
- ◀ אין לפרק, למעוך, לחמם לטמפרטורה גבוהה מ-80°C או לשרוף את הסוללות הנטענות.
- ◀ אין להשתמש או לטעון סוללות שקיבלו מכה, שנפלו מגובה גבוה ממטור או שניזקו באופן אחר. במקרה כזה יש ליצור קשר עם השירות של Hilti.
- ◀ אם הסוללה חמה כל כך שלא ניתן לגעת בה, ייתכן שהיא אינה תקינה. הנח את הסוללה במקום לא דליק, גלוי, רחוק מספיק מחומרים דליקים. אפשר לסוללה להתקרר. אם כעבור שעה הסוללה עדיין חמה מדי לנגיעה, אז היא פגומה. צור קשר עם השירות של Hilti.

**3 תיאור**

**3.1 סקירת המוצר**

- ① תפסנית
- ② מתאם עבור עדר ניסור
- ③ וו פייגומים מתקפל (אבזר)
- ④ אבטחה להובלה
- ⑤ מתג הפעלה
- ⑥ ידית אחיזה אחורית
- ⑦ חיווי רמת טעינת הסוללה
- ⑧ לחצן שחרור סוללה
- ⑨ סוללה
- ⑩ עינית אבטחה
- ⑪ אזור אחיזה קדמי עם כפתור נעילה עבור לוחית ההצמדה
- ⑫ מנוף לשחרור להב המסור
- ⑬ חיבור שאיבה (אבזר)
- ⑭ לוחית הצמדה
- ⑮ להב מסור
- ⑯ עדר ניסור (אבזר)



**3.2 שימוש בהתאם לייעוד**

המוצר המתואר זהו מסור חרב המופעל באמצעות סוללה. הוא מיועד לחיתוך של עץ, חומרים דמויי עץ וחומרים מתכתיים וכן פלסטיקים. יש לתפעל את המוצר בשתי ידיים.



- ◀ השתמש עבור מוצר זה רק בסוללות ליתיום יון של Hilti מסדרת הדגמים B 22.
- ◀ השתמש עבור סוללה זו רק במטענים של Hilti מהסדרה C4/36.

### 3.3 שימוש שגוי אפשרי

- ◀ אין לחתוך לבנים, בטון, איטונג, אבן טבעית ואריחים.
- ◀ אין להשתמש במוצר לחיתוך צנרת המכילה עדיין נוזלים.
- ◀ אין לחתוך חומרים לא מוכרים.

### 3.4 תצוגת סוללת הליתיום-יון

נוריות החיווי של סוללות הליתיום-יון מציגות את רמת הטעינה של סוללת הליתיום-יון וכן תקלות במכשיר. לאחר לחיצה על אחד משני לחצני השחרור של הסוללה תוצג רמת הטעינה של סוללת הליתיום-יון.

מצב	משמעות
4 נוריות מהבהבות.	רמת טעינה: 75% עד 100%
3 נוריות מהבהבות.	רמת טעינה: 50% עד 75%
2 נוריות מהבהבות.	רמת טעינה: 25% עד 50%
נורית 1 מאירה.	רמת טעינה: 10% עד 25%
נורית 1 מהבהבת.	רמת טעינה: > 10%
נורית לד 1 מהבהבת, המכשיר אינו מוכן לעבודה.	הסוללה חמה מדי או נפרקה לגמרי.
4 נוריות לד מהבהבות, המכשיר אינו מוכן לעבודה.	עומס יתר או התחממות יתר של המכשיר.

בזמן שמתג ההפעלה לחוץ וכן במשך 5 השניות הראשונות לאחר שחרור מתג ההפעלה לא ניתן לברר את מצב הטעינה של הסוללה.



אם נוריות החיווי של הסוללה מהבהבות, ראה בבקשה הערות בפרק תיקון תקלות.

### 3.5 מפרט אספקה

מסור חרב, הוראות הפעלה. מוצרים נוספים המאפשרים עבור המוצר שלך תמצא ב-Hilti Store או בכתובת: [www.hilti.com](http://www.hilti.com) | ארה"ב: [www.hilti.com](http://www.hilti.com)

## 4 נתונים טכניים

SR 6-A22	
מתח קבוע	21.6 וולט
משקל לפי EPTA Procedure 01 כולל סוללה B228.0	4.1 ק"ג
מהירות להב (מספר מהלכים)	2,600 סל"ד
אורך מהלך	32 מ"מ
תפסנית	0.5 אינץ'
טמפרטורת סביבה בעבודה	17 °C ... 60 °C
טמפרטורת אחסון	20 °C ... 70 °C

### 4.1 ערכי רעש לפי EN 62841

ערכי לחץ הקול והרעידות המצוינים בהוראות אלה נמדדו בהתאם לנוהל המדידה התקני, וניתן להשתמש בהם לצורך השוואה בין כלי עבודה חשמליים. הם מתאימים גם להערכה זמנית של העומסים.

הנתונים המצוינים תקפים לשימושים העיקריים בכלי העבודה החשמלי. אולם אם משתמשים בכלי העבודה החשמלי לשימושים אחרים, בשילוב אביזרים אחרים או אם המכשיר אינו עובר תחזוקה מספקת, הנתונים עשויים להשתנות. בעקבות זאת פריסת העומסים למשך זמן העבודה כולו עשויה להיות גבוהה באופן משמעותי.

לצורך הערכה מדויקת של העומסים יש לקחת בחשבון גם את הזמנים שבהם המכשיר כבוי או שבהם הוא פועל אך אינו בשימוש בפועל. בעקבות זאת פריסת העומסים למשך זמן העבודה כולו עשויה להיות נמוכה באופן משמעותי.

יש לקבוע הנחיות בטיחות נוספות להגנה על המשתמש מפני ההשפעות של קול ו/או רעידות, כגון: תחזוקה של כלי העבודה החשמלי ושל כלי העבודה המחבוריים, שמירה על ידיים חמות, ארגון תהליכי העבודה.



<b>SR 6-A22</b>	
97 dB(A)	רמת הספק קול ( $L_{WA}$ )
5 dB(A)	אי-ודאות ברמת הספק הקול ( $K_{WA}$ )
86 dB(A)	רמת לחץ קול ( $L_{pA}$ )
5 dB(A)	אי-ודאות ברמת לחץ קול ( $K_{pA}$ )

**ערכי רעידות כוללים**

<b>SR 6-A22</b>	
17.5 מ'/שני <sup>2</sup>	ערכי רעידות בניסור שבבית ( $a_{n,b}$ )
1.6 מ'/שני <sup>2</sup>	אי-ודאות בניסור שבבית (K)
21.3 מ'/שני <sup>2</sup>	ערכי רעידות בניסור קורות עץ ( $a_{n,wb}$ )
1.5 מ'/שני <sup>2</sup>	אי-ודאות בניסור קורות עץ (K)

**4.2 סוללה**

21.6 וולט	מתח עבודה עם סוללה בטענת
60 °C ... -17 °C	טמפרטורת סביבה בעבודה
40 °C ... -20 °C	טמפרטורת אחסון
45 °C ... -10 °C	טמפרטורת הסוללה בתחילת הטעינה

**5 הכנה לעבודה**
**⚠️ זהירות**
**סכנת פציעה עקב התחלת תנועה בשוגג!**

- ◀ לפני חיבור הסוללה ודא שהמוצר כבוי.
- ◀ הסר את הסוללה לפני שאתה מבצע כוונונים כלשהם במכשיר או מחליף אביזרים.

ציית להוראות הבטיחות והאזהרות שבתיעוד זה ולא להל המצוינות על המוצר.

**5.1 טעינת סוללה**

1. קרא את הוראות ההפעלה של המטען לפני הטעינה.
2. ודא שהמגעים של הסוללה ושל המטען נקיים ויבשים.
3. טען את הסוללה במטען מאושר.

**5.2 חיבור הסוללה**
**⚠️ זהירות**
**סכנת פציעה עקב קצר או נפילת סוללה!**

- ◀ לפני חיבור הסוללה ודא שהמגעים של הסוללה ושל המוצר נקיים מגופים זרים.
- ◀ ודא תמיד שהסוללה תפוסה היטב.

1. טען את הסוללה למצב מלא לגמרי לפני השימוש הראשון.
2. הכנס את הסוללה למחזיק במכשיר עד שאתה שומע אותה ננעלת.
3. ודא שהסוללה יושבת היטב.

**5.3 הסרת הסוללה**

1. לחץ על לחצני השחרור של הסוללה.
2. הסר את הסוללה מהמכשיר.

**5.4 התקנת וו תלייה לפיגומים (אביזר) 2**

1. הפעל את אבטחת ההובלה.
2. התקן את הוו לתלייה על פיגומים.





השתמש רק בלהבי מסור עם קנה 1/2".



1. הפעל את אבטחת ההובלה או נתק את הסוללה מהמכשיר.
2. ודא שהקנה של להב המסור נקי ומשומן קלות. במקרה הצורך נקה ושמן קלות את הקנה.
3. דחף את מנוף הנעילה למעלה עד הסוף, והחזק אותו במצב זה.
4. דחף את להב המסור מקדימה לתוך התפסנית.
5. אפשר למנוף הנעילה להחליק בחזרה אחורה.
6. משוך את להב המסור כדי לוודא שהוא נעול.

**5.6 התקנת מחבר השאיבה (אבזר) 4**

1. משוך החוצה את לוחית ההצמדה.
2. הצמד את מחבר השאיבה לתושבת לוחית ההצמדה.
3. שמן קלות את לוחית ההצמדה והכנס אותה אל המוליך.

**6 תפעול**

ציית להוראות הבטיחות והאזהרות שבתיעוד זה ולאלה המצוינות על המוצר.

**6.1 הולכת המסור 5**

1. אחז במסור בידיים המיועדות לכך.
  2. הולך את המסור עד לחלק שבעבודה.
  3. הולך את המסור קדימה ואחורה.
- ◀ לחיצת המסור לחלק שבעבודה עלולה לשבור את להב המסור וכך לגרום פציעות.

**6.2 ניסור 5**
**אזהרה**

**סכנת פציעה עקב וו פיגומים פגום!** מכשיר שנופל עלול לפצוע גם אותך וגם אחרים.  
 ◀ ודא לפני תחילת העבודה שוו הפיגומים מחובר בבטחה ואינו פגום.

1. בטל את נעילת ההובלה ולחץ על מתג ההפעלה.
2. בחלק עם התמונות תמצא אפשרויות שונות לשימוש יעיל במסור.
3. לאחר שסיימת לנסר, שחרר את מתג ההפעלה.
3. הפעל את אבטחת ההובלה.

**6.3 הוצאת להב המסור 7**
**זהירות**

**סכנת פציעה!** הכלי עשוי להיות חם מאוד ו/או חד.  
 ◀ לבש כפפות מגן בעת החלפת כלי.  
 ◀ לעולם אין להניח כל חם על חומרים דליקים.

1. הפעל את אבטחת ההובלה או נתק את הסוללה מהמכשיר.
2. דחף את מנוף הנעילה למעלה עד הסוף, והחזק אותו במצב זה.
3. משוך את להב המסור קדימה אל מחוץ לתפסנית.
4. אפשר למנוף הנעילה להחליק בחזרה אחורה.

**7 טיפול ותחזוקה**
**אזהרה**

**סכנת פציעה כאשר הסוללה מחוברת!**  
 ◀ לפני ביצוע עבודות טיפול ותחזוקה כלהגן יש להקפיד להסיר את הסוללה!



## טיפול במכשיר

- הסר בזהירות לכולן שנדבק.
- נקה בזהירות את חריצי האוורור באמצעות מברשת יבשה.
- נקה את גוף המכשיר רק בעזרת מטלית לחה מעט. אין להשתמש בחומרי טיפול המכילים סיליקון, מאחר שהם עלולים לפגוע בחלקי הפלסטיק.
- נקה את התפסנית מבחוץ ושמן אותה באופן סדיר. השתמש לשם כך בתרסיס 314648 של Hilti.

## טיפול בסוללות ליתיום-יון

- שמור על הסוללה נקייה מלכלוך, שמן וגריד.
- נקה את גוף המכשיר רק בעזרת מטלית לחה מעט. אין להשתמש בחומרי טיפול המכילים סיליקון, מאחר שהם עלולים לפגוע בחלקי הפלסטיק.
- מנע חדירת לחות.

## תחזוקה

- יש לבדוק באופן סדיר את כל החלקים הגלויים כדי לאתר נזקים ולוודא שכל הרכיבים פועלים באופן תקין.
- אם ישנם נזקים ו/או תקלות אין להפעיל את המוצר. הבא מיד את המכשיר לתיקון במעבדת שירות של Hilti.
- לאחר עבודות טיפול ותחזוקה יש להקפיד ולחבר את כל התקני ההגנה ולבדוק את תפקוד המכשיר.

לצורך הפעלה בטוחה של המכשיר יש להשתמש רק בחלקי חילוף וחומרים מתכלים מקוריים. את חלקי החילוף, החומרים המתכלים והאביזרים שאושרו על-ידנו עבור המוצר שלך תמצא ב-Hilti Store ש'לך או בכותבת: [www.hilti.group](http://www.hilti.group).



## 7.1 החלפת לוחית הצמדה 8

1. הסר את הסוללה.
2. הוצא את להב המסור. ← עמוד 19
3. לחץ על הנעילה של לוחית ההצמדה.
4. משוך החוצה את לוחית ההצמדה.
5. לחץ על הנעילה של לוחית ההצמדה.
6. הכנס את לוחית ההצמדה המשומנת קלות עד למיקום המבוקש במולך.

אפשר להשתמש בלוחית ההצמדה בשלושה מצבים.



7. ודא שלוחית ההצמדה נבעלה.
8. הכנס את להב המסור. ← עמוד 19

## 8 הובלה ואחסון של מכשירים בטענים

### הובלה

#### ⚠️ זהירות

#### התחלת פעולה בשוגג במהלך הובלה!

← יש להוביל את המכשיר כשהסוללה מנותקת ממנו!

- ← הוצא את הסוללות.
- ← בשום אופן אין להוביל סוללות כשהן נמצאות בין עצמים לא ארזים.
- ← לפני השימוש במכשיר בתום הובלה ארוכה יש לבדוק אותו ואת הסוללה לאיתור נזקים.

### אחסון

#### ⚠️ זהירות

#### נזק לא מכוון כשהסוללות פגומות או דולפות!

← יש לאחסן את המכשיר כשהסוללה מנותקת ממנו!

- ← יש לאחסן את המכשיר והסוללה במקום קריר ויבש.
- ← לעולם אין לאחסן סוללות בשמש, על גוף חימום או מאחורי שמש.
- ← יש לאחסן את המכשיר והסוללה הרחק משיש ידם של ילדים או אנשים לא מורשים.
- ← לפני השימוש במכשיר בתום אחסון ממושך יש לבדוק אותו ואת הסוללה לאיתור נזקים.

## 9 תיקון תקלות

אם מתרחשת תקלה שאינה מוסברת בטבלה זו או שאינך יכול לתקן בעצמך, פנה לשירות של Hilti.



**9.1 מסור החרב אינו תקין לעבודה**

תקלה	סיבה אפשרית	פתרון
המכשיר אינו מתחיל לפעול.	הסוללה אינה מוכנסת עד הסוף.	ודא שהסוללה ננעלת בצליל נקישה.
	סוללה ריקה.	טען את הסוללה.
לא ניתן להוציא את להב המסור מהמכשיר.	לא לחצת על אבטחת ההובלה.	לחץ על אבטחת ההובלה.
	מנוף הנעילה לא נלחץ עד הסוף.	דחף את מנוף הנעילה עד הסוף ומשוך החוצה את להב המסור.
	התפסנית סתומה בשאריות ניסור.	הסר את שאריות הניסור ונקה את התפסנית מבחוץ באופן סדיר. טיפול במכשיר. ← עמוד 19

**9.2 מסור החרב תקין לעבודה**

תקלה	סיבה אפשרית	פתרון
המכשיר אינו פועל בעוצמה מלאה.	מתג ההפעלה לא נלחץ עד הסוף	לחץ על מתג ההפעלה עד הסוף.
	הסוללה ריקה	החלף סוללה, וטען את הסוללה הריקה.
לא ניתן להוציא את להב המסור מהמכשיר.	מנוף הנעילה לא נלחץ עד הסוף.	דחף את מנוף הנעילה עד הסוף ומשוך החוצה את להב המסור.

**10 סילוק**

המוצרים של Hilti מיוצרים בחלקם מגודול מחומרים ניתנים למיחזור. כדי שניתן יהיה למחזרם דרושה הפרדת חומרים מקצועית. במדינות רבות Hilti תקבל את המכשיר הישן שלך בחזרה לצורך מיחזור. פנה לשירות של Hilti או למשווק.

**סילוק סוללות**

סילוק לא תקין של סוללות מסכן את הבריאות עקב דליפת גזים או נוזלים.

- ◀ אין לשלוח סוללות פגומות!
- ◀ כסה את החיבורים באמצעות חומר לא מוליך, כדי למנוע קצר.
- ◀ סלק סוללות כך שהן לא יוכלו להגיע לידיהם של ילדים.
- ◀ סלק את הסוללה ב-Hilti Store או פנה לחברת המיחזור האחראית.

◀ אין להשליך כלי עבודה חשמליים, כלים אלקטרוניים וסוללות לפסולת הביתית!


**11 RoHS (תקנה להגבלת השימוש בחומרים מסוכנים)**

בקישור הבא תמצא את טבלת החומרים המסוכנים: [qr.hilti.com/r5962267](http://qr.hilti.com/r5962267). קישור לטבלת RoHS תמצא בסוף תיעוד זה, בצורת קוד QR.

**12 אחריות יצרן**

◀ אם יש לך שאלות בנושא תנאי האחריות, פנה למשווק Hilti הקרוב אליך.







**Hilti Corporation**  
Feldkircherstraße 100  
9494 Schaan | Liechtenstein

**SR 6-A22 (01)**

[2016]

2006/42/EC

EN 62841-1

2014/30/EU

EN 62841-2-11

2011/65/EU

EN 55014-1:2017

EN 55014-2:2015

Schaan, 23.04.2020

**Paolo Luccini**

Head of Quality and Process Management  
BA Electric Tools & Accessories

**Tassilo Deinzer**

Executive Vice President  
BU Electric Tools & Accessories









Hilti Corporation  
LI-9494 Schaan  
Tel.:+423 234 21 11  
Fax:+423 234 29 65  
[www.hilti.group](http://www.hilti.group)



2186514