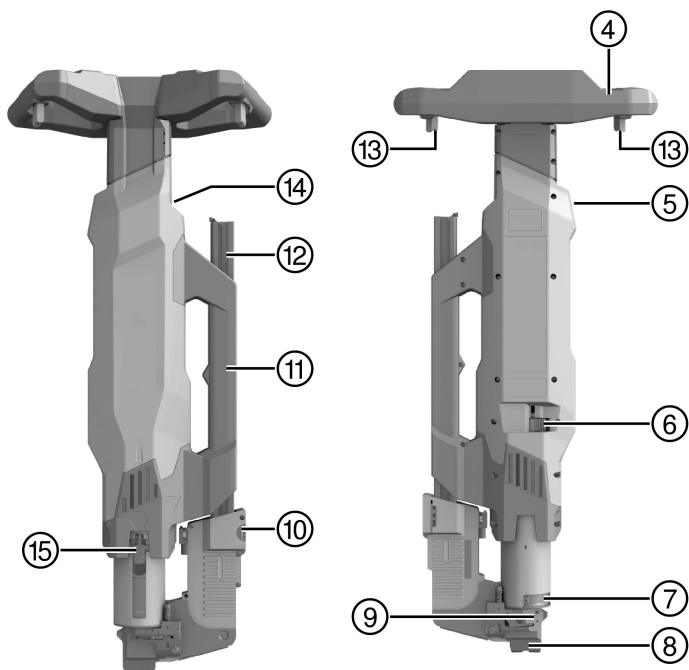
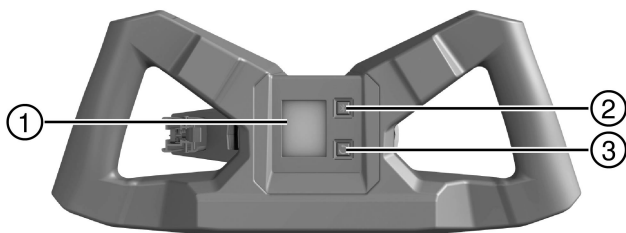


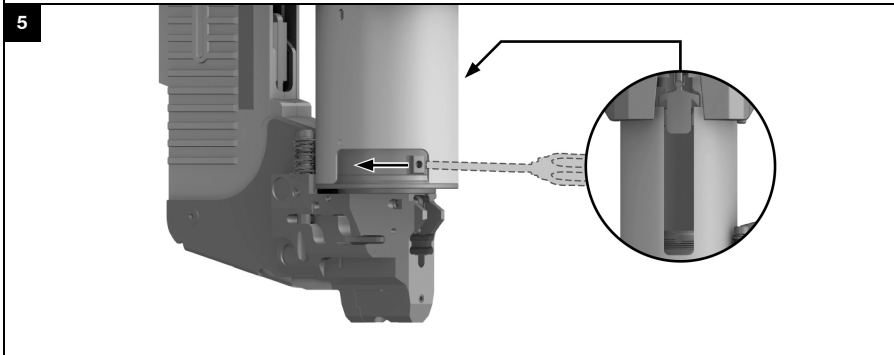
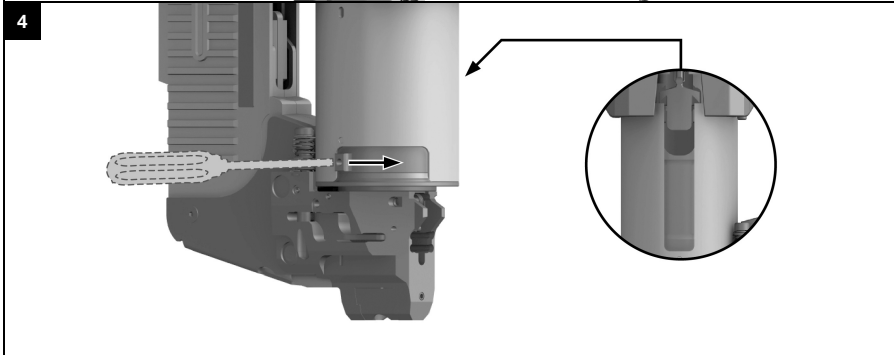
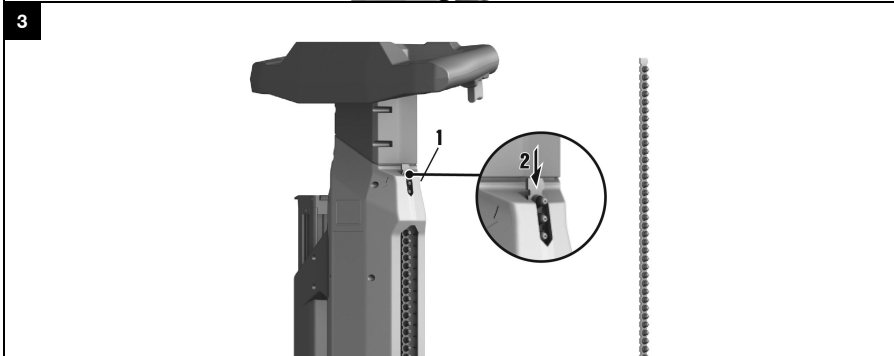
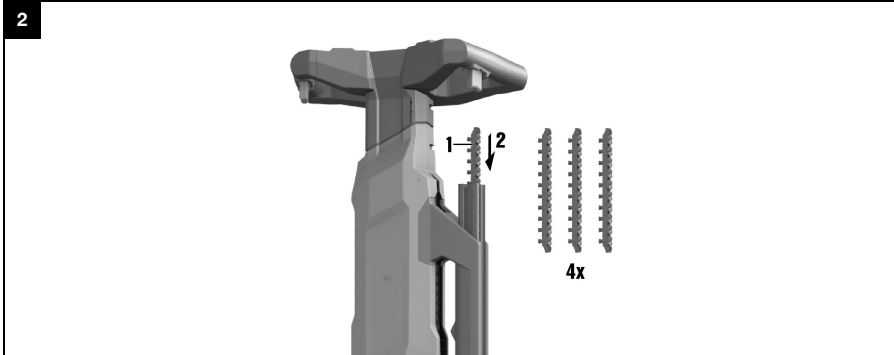
# HILTI

## DX 9-ENP

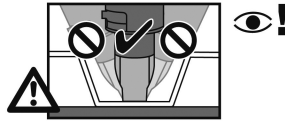
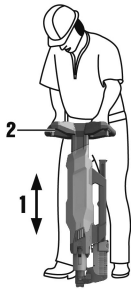
English	1
Français	16
Español	31



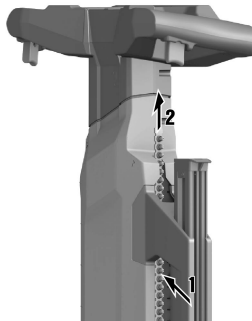




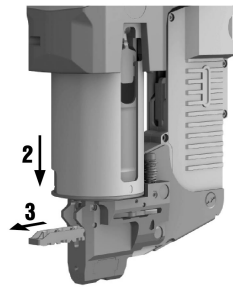
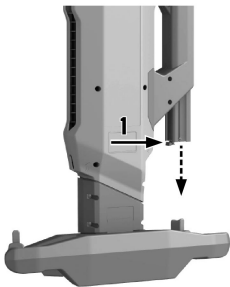
6



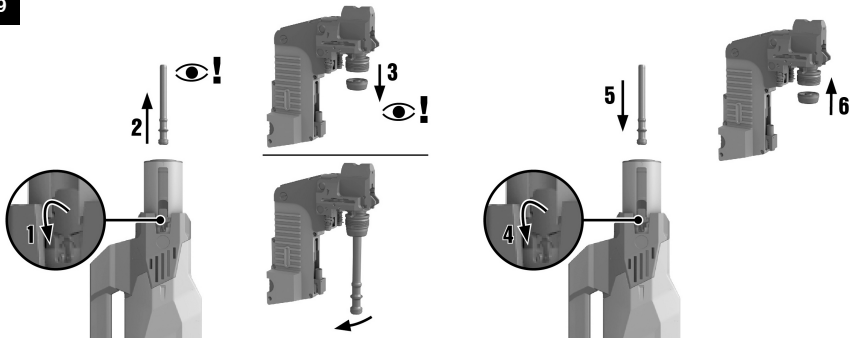
7



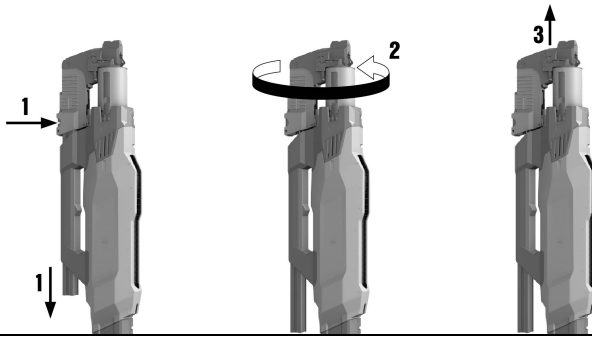
8



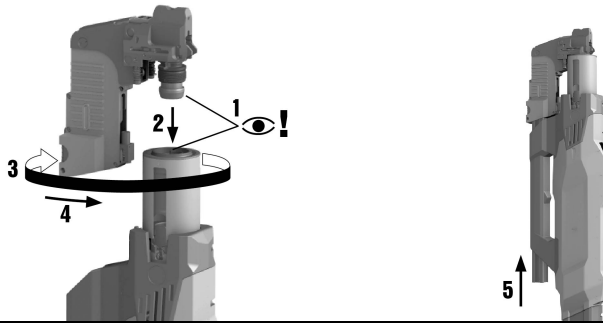
9

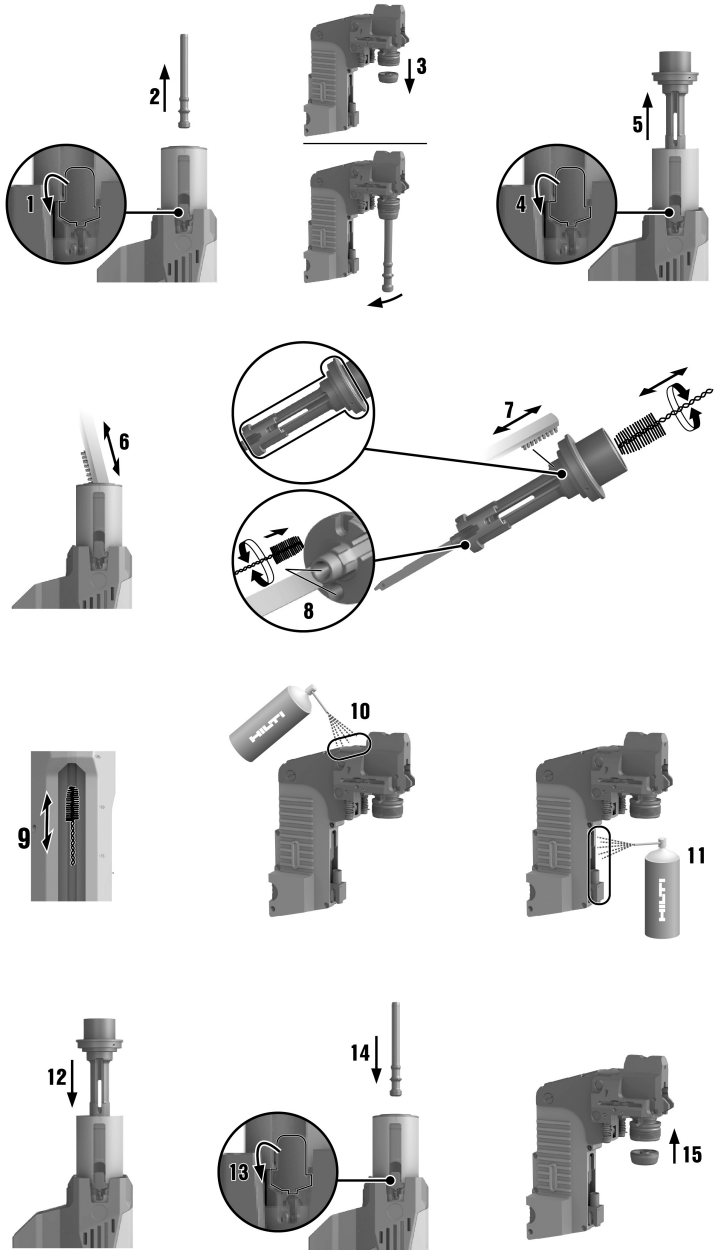


10



11





# DX 9-ENP

en	Original operating instructions	1
fr	Mode d'emploi original	16
es	Manual de instrucciones original	31





## 1 Information about the documentation




### 1.1 About this documentation

- Read this documentation before initial operation or use. This is a prerequisite for safe, trouble-free handling and use of the product.
- Observe the safety instructions and warnings in this documentation and on the product.
- Always keep the operating instructions with the product and make sure that the operating instructions are with the product when it is given to other persons.

### 1.2 Explanation of symbols used



#### 1.2.1 Warnings

Warnings alert persons to hazards that may occur when handling or using the product. The following signal words are used in combination with a symbol:

	<b>DANGER!</b> Draws attention to an imminent hazard that will lead to serious personal injury or fatality.
	<b>WARNING!</b> Draws attention to a potential hazard that could lead to serious personal injury or fatality.
	<b>CAUTION!</b> Draws attention to a potentially dangerous situation that could lead to minor personal injury or material damage.




#### 1.2.2 Symbols in the documentation

The following symbols are used in this document:

	Read the operating instructions before use
	Instructions for use and other useful information

#### 1.2.3 Symbols in the illustrations


The following symbols are used in illustrations:

	These numbers refer to the corresponding illustrations found at the beginning of these operating instructions.
3	The numbering reflects the sequence of operations shown in the illustrations and may deviate from the steps described in the text.
	Item reference numbers are used in the <b>overview illustration</b> and refer to the numbers used in the key in the <b>product overview</b> section.
	This symbol is intended to draw special attention to certain points when handling the product.

### 1.3 Product-dependent symbols

#### 1.3.1 Symbols on the product

The following symbols are used on the product:

	Warning: hot surface
	Wear protective gloves

### 1.4 Product information

Hilti products are designed for professional use and may be operated, serviced and maintained only by trained, authorized personnel. This personnel must be informed of any particular hazards that may be encountered. The product and its ancillary equipment can present hazards if used incorrectly by untrained personnel or if used not in accordance with the intended use.

The type designation and serial number are stated on the rating plate.

- ▶ Write down the serial number in the table below. You will be required to state the product details when contacting Hilti Service or your local Hilti organization to inquire about the product.

#### Product information

Direct fastening tool	DX 9-ENP
Generation	01
Serial no.	

## 2 Safety

### 2.1 Safety instructions

This documentation contains important instructions on how to use the fastening tool safely and correctly. You can avoid residual hazards through observance and practical implementation of the safety instructions found in this documentation and on the product.

#### 2.1.1 Basic safety precautions

In addition to the safety instructions given in the various sections of these operating instructions, the following points must be strictly observed at all times.

##### Using cartridges

Use of cartridges of inferior quality in **Hilti** tools may lead to a build-up of unburned powder, which may suddenly explode and cause severe injuries to operators and bystanders. The cartridges must be either verifiably tested by the manufacturer in accordance with EU standard EN 16264 or they must bear the CE conformity marking.

- ▶ Use only **Hilti** cartridges or cartridges of equivalent quality of a type approved for use with this tool.

##### Requirements to be met by users

The tool is intended for professional use.

The tool may be operated, serviced and maintained only by trained, authorized personnel who have received special instruction regarding the hazards that may be encountered.

- ▶ Use the tool for the first time only after you have been trained by a **Hilti** specialist on how to use it safely.

##### Personal safety

- ▶ Never tamper with or modify the tool in any way.
- ▶ Use the right tool for the job. Do not use the tool for purposes for which it was not intended. Use it only as directed and when in technically faultless condition.
- ▶ Stay alert, watch what you are doing and use common sense when operating the tool. Do not use the tool if you are not concentrating.
- ▶ To reduce the risk of injury use only genuine **Hilti** accessories and spare parts or those of equivalent quality.
- ▶ Use only fasteners of a type approved for use with the tool.
- ▶ Observe the information printed in the operating instructions concerning operation, care and maintenance.
- ▶ Never point the tool toward yourself or other persons.
- ▶ Never press the nosepiece of the tool against your hand or against any other part of your body (or other person's hand or part of their body).
- ▶ Drive the fasteners only into structural steel members. Do not attempt to drive fasteners into other materials or into hardened or brittle steel, cast iron or spring steel.
- ▶ Pull the trigger only when the nosepiece of the tool is in contact with the working surface and the tool is fully compressed.
- ▶ When driving fasteners, always hold the fastening tool at right angles to the working surface in order to prevent the fastener being deflected by the surface.
- ▶ Never redrive a fastener, as this may cause the fastener to break.
- ▶ Keep the grips dry, clean and free from oil and grease.
- ▶ Never leave a loaded tool unattended.
- ▶ Always remove the cartridges before cleaning, servicing or carrying out maintenance work on the tool.
- ▶ Never leave the tool unattended.
- ▶ When not in use, the tool should be unloaded (cartridge strips removed) and stored in a locked, dry place where it is inaccessible to children.
- ▶ Never compress the tool while operating the catch, as this presents a risk of injury to the operator's hand.

- ▶ Remove the cartridge strip from the tool carefully. Never attempt to pry a cartridge from the magazine strip or tool.
- ▶ Do not disassemble the tool while it is hot. If this is unavoidable, wear protective gloves.
- ▶ Store unused cartridges in a dry place, where they are locked away or high up and out of reach of children.
- ▶ Do not operate the tool when parts are damaged or when the controls do not function correctly. Have the tool repaired by **Hilti Service**.

### Safety at the workplace

- ▶ Ensure that the working area is well lit.
- ▶ Keep the workplace tidy. Objects which could cause injury should be removed from the working area.
- ▶ Wear non-skid shoes.
- ▶ You and any other persons in the vicinity must wear suitable eye protection, a hard hat, ear protection and protective gloves while the tool is in use.
- ▶ When not in use, keep the tool and cartridges locked away and always out of reach of children.
- ▶ Keep children and other persons away from the working area.
- ▶ Avoid unusual body positions. Keep proper footing and balance at all times.
- ▶ Keep the arms slightly bent while operating the tool (do not straighten the arms). Stop using the tool if you experience pain or if you feel unwell.
- ▶ Before driving fasteners, check that no one is present on the other side of the sheet metal to be fastened.
- ▶ Take the influences of the surrounding area into account. Do not use the tool where there is a risk of fire or explosion.

## 3 Description

### 3.1 Overview of the product

① Display	⑨ Base plate
② Bluetooth button	⑩ Magazine release button
③ Reset button	⑪ Carrying handle
④ Grip	⑫ Magazine
⑤ Cartridge loading channel	⑬ Trigger button
⑥ Power regulation wheel	⑭ Cartridge exit opening
⑦ Rotating sleeve	⑮ Catch
⑧ Nosepiece (interchangeable)	

### 3.2 Intended use

The product described is a fastening tool designed to drive special fasteners for fastening trapezoidal profile metal sheets to steel beams.

### 3.3 Possible misuse

The fastening tool may not be operated in atmospheres or environments where there is a risk of fire or explosion.

The fastening tool may not be used with cartridges and fasteners other than those approved for use with this fastening tool.

The fasteners may not be driven into materials other than structural steel and, in particular, not into hardened steel, brittle steel, cast iron and spring steel.

### 3.4 Safety devices

The fastening tool features a 5-way safety system for the safety of the operator and any bystanders.

#### Piston principle

The energy from the propellant charge is transferred to a piston, the accelerated mass of which drives the nail into the base material.

Through use of the piston principle, the tool is classed as a “Low Velocity Tool”. Approximately 95% of kinetic energy is taken up by the piston when the tool is fired. As the piston is always stopped by the tool as it reaches the end of its travel, excess energy is absorbed by the tool. Accordingly, when the tool is used correctly, dangerous through-shots (i.e. with a nail muzzle velocity of over 100 m/s) are virtually impossible.

### Drop-firing safety device

The drop-firing safety device is the result of coupling the firing mechanism with the cocking movement. This prevents the tool from firing when dropped onto a hard surface, no matter at which angle the impact occurs.

### Trigger safety device

The trigger safety device prevents the tool firing when only the trigger is pulled. The tool must be pressed against a firm surface before a fastener can be driven.

### Contact pressure safety device

The contact pressure safety device requires a force of at least 50 N, so a fastener can be driven only when the tool is pressed fully against a firm surface with this force.

### Unintentional firing safety device

The tool is equipped with an unintentional firing safety device. This prevents the tool from firing if the trigger is first pulled and the tool then pressed against the work surface. The tool can be fired only when it is first pressed correctly against the work surface and the trigger subsequently pulled.

## 3.5 Service indicator

The service indicator display incorporated in the grip consists of the display plus the Bluetooth and reset buttons.

The display indicates the temperature of the fastening tool with a view to allowing the operator to avoid overheating problems by adjusting the speed of use of the tool.

The service indicator display counts the number of fasteners driven and when the preconfigured limit is reached it indicates that cleaning or maintenance of the tool is due.

Using Bluetooth, the data shown in the service indicator display, including the number of fasteners driven and other information (e.g. the serial number of the tool, the number of fasteners driven since the last tool service, etc.), can be read by the **Hilti Connect** smartphone app.

After cleaning, the number of fasteners driven before cleaning is again due can be reset by pressing the reset button.

The service indicator and the built-in counter for the number of nails that can be driven before the next service is due are reset by **Hilti Service** when the tool is serviced.

The smartphone app can be used to activate demo mode in which the various messages indicated by the service interface over a period of 48 fasteners driven, up to and including the need for maintenance, are presented.

The smartphone app can also be used to deactivate demo mode. Demo mode is automatically deactivated after a period of 15 minutes.



### Note

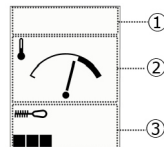
Demo mode does not indicate the actual status of the tool.

The number of fasteners driven is also recorded while in demo mode, so the total counted is always the actual value.

## 3.6 Information shown on the display

### Service indicator display



- ① Upper area
- ② Middle area
- ③ Lower area







### Information shown at the top of the display

Symbol	Explanation
	The Bluetooth symbol is shown when Bluetooth is active.
	The wrench symbol is shown when maintenance is due. The fastening tool should be serviced by <b>Hilti Service</b> .

### Information shown in the middle of the display

Display	Explanation
	The tool temperature is shown in the middle of the display. In this case the tool temperature is within the normal range.
	The temperature of the tool is extremely high. A warning symbol indicates that use of the tool should not be interrupted when the tool reaches this temperature as cartridges may ignite prematurely and the plastic nail strip may melt. We therefore recommend that the tool continues to be used, but at a lower fastening rate, so that the temperature of the tool can return to normal. Important: The cartridge strip and the fastener strip must be removed from the tool immediately if use of the tool is interrupted while a warning symbol is displayed.

### Information shown in the lower part of the display

Display	Explanation
	At the lower left edge, a bar showing 1 to 7 segments indicates the interval until the tool needs to be cleaned again. In this case, cleaning will not be necessary for some time.
	The 7 segments shown indicate that cleaning will be necessary shortly.
	The max. number of fasteners driven has been reached. The tool must be cleaned.
	The black square at the lower edge on the right indicates that demo mode is active. In this case, the information in the display does not reflect the actual status of the tool. The <b>Hilti Connect</b> smartphone app can be used to deactivate the demo mode. Demo mode is automatically deactivated after a period of 15 minutes.

### 3.7 Items supplied

Fastening tool, toolbox, cleaning set, scraper, ramrod, **Hilti** lubricant spray, operating instructions.



#### Note

You can find other system products approved for use with this product at your local **Hilti** Center or online at: [www.hilti.com](http://www.hilti.com)

## 4 Technical data

### 4.1 Technical data

	DX 9-ENP
<b>Weight</b>	26.50 lb (12.02 kg)
<b>Dimensions (L × W × H)</b>	38.6 in × 12.6 in × 7.4 in (980 mm × 320 mm × 188 mm)
<b>Magazine capacity</b>	40 nails / 40 cartridges

<b>DX 9-ENP</b>	
<b>Suitable cartridges</b>	6.8/18 M40 red, black or other cartridges of a type approved for use with the tool
<b>Suitable fasteners</b>	X-ENP 19
<b>Thickness of the supporting steel</b>	> 1/4"
<b>Compression stroke</b>	3.5 in (89 mm)
<b>Contact pressure</b>	≥ 81 lb, (≥ 360 N)
<b>Application temperature (ambient temperature)</b>	5 °F ... 122 °F (-15 °C ... 50 °C)

## 4.2 Noise information

The noise values listed were determined under the following conditions:

### General conditions for noise measurements

Direct fastening tool	DX 9-ENP
Model	Series
Caliber	8.6/18 black
Power setting	4
Application	Fastening to steel plate (Brinell hardness 610 N/mm <sup>2</sup> ) using the X-ENP-19 L15MXR

### Noise information in accordance with EN 15895

<b>Emission sound pressure level (L<sub>pA</sub>)</b>	103 dB(A)
<b>Uncertainty for the sound pressure level (K<sub>pA</sub>)</b>	2 dB(A)
<b>Sound (power) level (L<sub>WA</sub>)</b>	113 dB(A)
<b>Uncertainty for the sound power level (K<sub>WA</sub>)</b>	2 dB(A)
<b>Peak sound pressure emission level (L<sub>pC, peak</sub>)</b>	137 dB(C)
<b>Uncertainty for the peak sound pressure level (K<sub>pCpeak</sub>)</b>	2 dB(C)

## 4.3 Vibration

The vibration value that must be specified in accordance with 2006/42/EC does not exceed 2,5 m/s<sup>2</sup>.

## 5 Operation

### 5.1 Preparations at the workplace

#### 5.1.1 Establishing the position of the fasteners

To avoid incorrectly driven fasteners, proceed as follows:

- ▶ Each time you lay a metal sheet in position on the steel beams, use a water-resistant pen to mark the area in which fasteners can be driven.



#### Note

Do this each time, for each individual metal sheet. It is not sufficient to simply mark the ends of the beam and then draw a straight line between these points as the supporting beams may be distorted, i.e. curved.

#### 5.1.2 Checking that the tool is ready for use



#### Note

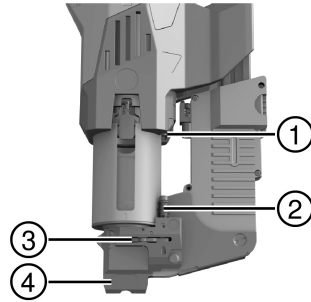
This check should always be carried out immediately before use of the fastening tool and after reassembling the tool after cleaning or after a routine check of the condition of the piston and piston stopper.

1. Check the fastening tool for visible signs of damage, especially to the components shown in the illustration.

**Result**

Visible signs of damage are found.

- ▶ Have the tool repaired by **Hilti Service**.



- ① Catch
- ② Pressure pin
- ③ Slider
- ④ Nosepiece

2. Make sure that there are **no cartridge strips and no nail strips** in the tool.
3. Press the tool against the working surface until a definite resistance is felt and then check the position of the pressure pin.

**Result 1 / 2**

The pressure pin is not pressed down – the spring on the pressure pin is not compressed.

The tool has detected no nail and thus cannot be pressed against the working surface. The tool is working correctly.

**Result 2 / 2**

The pressure pin is pressed all the way down, the spring on the pressure pin is compressed and a click is heard when the trigger is pressed.

The slider may be jammed. The tool should be cleaned again and the test repeated. If the problem persists, the tool must be repaired by **HiltiService**.

4. Release any pressure on the tool.
5. Load the nail strips → page 7, but **do not load any cartridge strips**.
6. Press the tool against the working surface again and check whether a click can be heard when the trigger is pulled.

**Result 1 / 3**

The tool cannot be pressed fully against the working surface – triggering is not possible.

- ▶ Check that the rotating sleeve is closed. If necessary, turn the rotating sleeve to the left as far as it will go.
- ▶ Check the position of the slider. If the slider has not clearly moved to the left, have the tool repaired by **Hilti Service**.

**Result 2 / 3**

The tool can be pressed fully against the working surface (the spring on the pressure pin is fully compressed) and a click is heard when the trigger is pressed.

The nail detector in the tool is working correctly and the tool can be used.

**Result 3 / 3**

The tool can be pressed fully against the working surface (the spring on the pressure pin is fully compressed) but no click is heard when the trigger is pressed.

- ▶ Have the tool repaired by **Hilti Service**.

**5.1.3 Loading fastener strips 2**

1. Insert 4 fastener strips in the magazine from above.

Materials
Fasteners X-ENP 19

2. Press the last fastener strip in until it lies flush with the magazine.

### 5.1.4 Loading cartridge strips 3

1. Insert the cartridge strips from above in the cartridge loading channel.

#### Materials

6.8/18 M40 red, black or other cartridges of a type approved for use with the tool (please refer to the cartridge recommendations printed in the instructions for use of the fasteners)

2. Press the cartridge strip into the cartridge loading channel until it lies flush with the top edge of the cartridge loading channel.

### 5.1.5 Opening the rotating sleeve 4

- ▶ Turn the rotating sleeve as far as it will go. Use the scraper or some other tool as an aid, if necessary.



#### Note

If the fastening tool is jammed, it will then be possible to access the catch.

### 5.1.6 Closing the rotating sleeve 5

- ▶ Turn the rotating sleeve as far as it will go. Use the scraper or some other tool as an aid, if necessary.



#### Note

If the rotating sleeve is not fully closed it will not be possible to press the fastening tool fully against the working surface and, accordingly, the tool cannot be operated.

## 5.2 Operation

### 5.2.1 Driving fasteners 6



#### CAUTION

**Risk of injury!** If the tool is extremely hot (see service indicator display) cartridges may explode due to the effect of the heat, causing flying fragments.

- ▶ Remove the cartridges from the tool immediately before breaks between working.
- ▶ If the cartridges cannot be removed from the tool, lay the tool down and make sure that all persons keep a safe distance away from the tool (3 meters) until the pointer on the temperature indicator has moved all the way to the left.

1. Press the tool against the working surface at right angles.
2. Press the trigger buttons on the grip.
  - ◀ The fastener is driven.
  - ▼ The tool doesn't fire (no fastener is driven).
    - ▶ Check that there is a sufficient number of fasteners in the magazine.



#### Note

The fasteners are not transported when the magazine contains less than 15 fasteners. You must first insert additional fastener strips in the magazine.

3. Position the tool at the point where the next fastener is to be driven and repeat the steps described. In doing so, observe the information shown in the display. → page 4



#### Note

Nail stand-off should be checked immediately after driving the first fasteners and subsequently at regular intervals so that the driving power of the tool can be set to the right value in order to ensure that fasteners are driven correctly.

### 5.2.2 Checking the nail stand-off

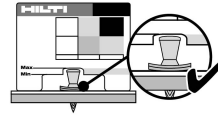
1. Use the test gauge to check the nail stand-off.



### Result 1 / 3

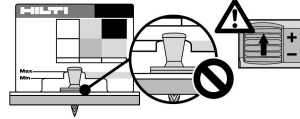
- Nail stand-off is within the required range.

The tool power setting is incorrect. The test is complete.



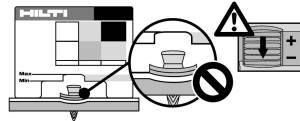
### Result 2 / 3

- Nail stand-off is too high.
- ▶ Increase the power setting by turning the power regulation wheel to the next higher setting.
- ▶ If the power regulation wheel is already set to the highest value, use a more powerful cartridge type – if available.



### Result 3 / 3

- Nail stand-off is too low.
- ▶ Reduce the power setting by turning the power regulation wheel to the next lower setting.
- ▶ If the power regulation wheel is already set to the lowest value, use a less powerful cartridge type – if available.

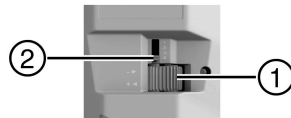


2. Drive another fastener.

3. Repeat the previously described steps until the correct nail stand-off is achieved.

## 5.2.3 Adjusting the power setting

- ▶ Turn the power regulation wheel to set the desired nail driving power.
  - ◀ The current power setting is indicated.



- ① Power regulation wheel
- ② Power setting indicator

## 5.2.4 Removing cartridges from the tool 7

1. Press the cartridge strips forward, as far as possible, in the direction of advance.
2. Pull the cartridge strips out of the tool at the cartridge strip exit aperture.

## 5.2.5 Removing fasteners from the tool 3



### Note

The fasteners can normally remain in the tool. It is not necessary to remove them, for example, when you are finished working with the tool.

1. Check that the cartridges have already been removed from the tool. → page 9
2. Stand the tool on its grip.
3. Press the red latch at the mouth of the magazine and allow the fastener strips to slide back out of the magazine.
4. If the nail strip doesn't project from the tool, press the catch and cycle the tool until the nail strip is projecting.
5. While pressing the catch, pull the nail strip out of the tool.

## 6 Care and maintenance

### 6.1 Check the piston and piston stopper and replace the parts if necessary. 9



#### Note

If a fastener is driven incorrectly, the piston may become jammed in the piston stopper. If the piston and piston stopper become fully seized in this way, these parts have reached the end of their life. The tool cannot be cycled when in this state.

The condition of the piston and piston stopper must be checked at regular intervals and at least daily.

1. Disassemble the base plate. → page 10
2. Pull the piston out of the piston guide.
3. Pull the piston stopper out of the base plate (possibly with the aid of the piston).
4. Check the piston and piston stopper for damage. Check the piston for straightness by rolling it on a smooth surface.



#### Note

Never use a worn or damaged piston and do not tamper with or modify the piston.

Observe the wear criteria applicable to important tool components, as listed in the “Care and maintenance” section. → page 11

#### Result

If damage is found and/or if the piston is bent or jammed with the piston stopper

- ▶ Replace the piston and piston stopper as a set.
5. Pull out the catch and hold it in this position. Insert the piston, pushing it in until the tip of the piston no longer projects beyond the end of the tool, and then release the catch.
  6. Fit the piston stopper into the base plate the right way round (rubber part towards the front).
  7. Fit the base plate. → page 10

### 6.2 Disassembling the base plate 10



#### WARNING

**Risk of injury!** Cartridges in the tool could fire (explode).

- ▶ Check that all cartridges have been removed from the tool before carrying out the following tasks with the tool.



#### DANGER

**Risk of burns!** Parts of the tool may be very hot after the tool has been in use.

- ▶ If it is necessary to carry out maintenance without first allowing the tool to cool down, it is essential that protective gloves are worn.

1. Stand the tool on its grip.
2. Press the magazine release button (red button) on the magazine and allow the magazine to slide down.
3. Rotate the base plate in a counter clockwise direction, until the connection is released.
4. Lift off the base plate.

### 6.3 Fitting the base plate 11

1. Make sure that the piston stopper is correctly fitted in the base plate and that the piston guide and the piston are correctly seated in the tool.
2. Press the base plate against the thread.
3. Rotate the base plate in a clockwise direction as far as it will go.
4. Rotate the base plate back slightly until it is in its starting position relative to the magazine.
5. Push the magazine back until it engages with the base plate.

## 6.4 Cleaning the fastening tool



### WARNING

**Risk of injury!** Cartridges in the tool could fire (explode).

- ▶ Check that all cartridges have been removed from the tool before carrying out the following tasks with the tool.



### DANGER

**Risk of burns!** Parts of the tool may be very hot after the tool has been in use.

- ▶ If it is necessary to carry out maintenance without first allowing the tool to cool down, it is essential that protective gloves are worn.

1. Disassemble the base plate. → page 10
2. Pull out the catch and hold it in this position. Pull the piston out of the piston guide and then release the catch.
3. Pull the piston stopper out of the base plate. If necessary, use the piston to lever the piston stopper out of the base plate.
4. Pull out the catch and hold it in this position. Pull the piston guide upwards out of the tool and then release the catch.
5. Clean the inside of the tool. Then stand the tool upside down and tap it firmly with your hand so that the dirt falls out.
6. Use the large accessory wire brush to clean the surfaces of the piston guide (see marked area).
7. Use the small round brush to clean the cartridge chamber and the adjoining holes for the power regulation pin.
8. Use the narrow round brush to clean the cartridge guideway.
9. Use **Hilti** lubricant spray to lubricate the moving parts of the fastener strip guides.



### Note

Use of other lubricants may damage the rubber parts, especially the piston stopper. Moreover, other lubricants may cause dust to adhere to parts of the tool resulting in a build-up of deposits.

10. Slide the piston guide into the tool from above, until the catch engages.
11. Pull out the catch and hold it in this position. Insert the piston, pushing it in until the tip of the piston no longer projects beyond the end of the tool, and then release the catch.
12. Fit the piston stopper into the base plate the right way round (rubber part towards the front).
13. Fit the base plate. → page 10
14. Press the reset button for at least 1 second to reset the counter for the number of fasteners driven until the next scheduled cleaning operation is due.
15. Check that the tool is ready for use. → page 6


## 6.5 Wear criteria for important parts of the tool


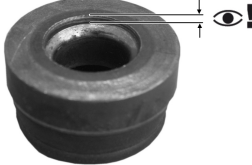


### Note

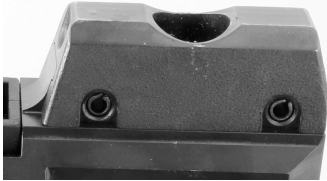

Damage to parts, in cases where replacement of the parts is obviously necessary, e.g. when parts are broken, is not listed in the following tables.

### Piston and piston stopper wear criteria

Status	Illustration showing example	Annotation
New condition		

Status	Illustration showing example	Annotation
Worn <b>Note</b> Always replace the piston and piston stopper together.		Signs of chipping at the tip / face of the piston.
		The piston has made a deep impression (3 mm or more) in the piston stopper.

### Nosepiece wear criteria

Status	Illustration showing example	Annotation
New condition		
Worn Have it replaced by <b>Hilti Service</b>		Obvious signs of chipping.

## 7 Troubleshooting

### 7.1 Remediating malfunctions after misfiring

- ▶ Press the nose of the tool against the working surface and pull the trigger.
  - ▽ The cartridge doesn't fire.
    - ▶ Lift the tool away from the working surface. When doing so, never point the tool toward yourself or other persons.
    - ▶ Advance the cartridge strip manually to the next cartridge by pushing it by hand at the cartridge feed side or, alternatively, by pulling the cartridge strip through manually to the next cartridge at the cartridge strip exit side.
    - ▶ Use up the remaining cartridges on the strip. The partly-used cartridge strip must then be removed and disposed of appropriately to prevent further use or misuse of any unfired cartridges.

### 7.2 Remediating the malfunction if the tool jams



#### **WARNING**

**Risk of explosion!** Cartridges may fire (explode) if handled improperly.

- ▶ Do not attempt to forcibly remove cartridges from the magazine strip or tool.

1. Press the nose of the tool in a few millimeters and open the rotating sleeve → page 8.
  - ◀ The catch should then be accessible, making it possible to release the tool.
2. Remove the cartridges from the tool. → page 9
3. Check the piston and piston brake and replace these parts if necessary. → page 10
4. Clean the fastening tool. → page 11
5. Close the rotating sleeve. → page 8

### 7.3 Troubleshooting

If the trouble you are experiencing is not listed in this table or you are unable to remedy the problem by yourself, please contact **Hilti** Service.

Trouble or fault	Possible cause	Action to be taken
The cartridges are not transported.	The cartridge strip is damaged.	▶ Change the cartridge strip. Do not attempt to forcibly remove cartridges or the cartridge strip.
	The tool is damaged.	▶ Contact <b>Hilti</b> Service.
The cartridge strip cannot be removed.	The tool is damaged.	▶ Contact <b>Hilti</b> Service.
The tool doesn't fire.	Misfire	▶ Remedy the malfunction. → page 12
	The cartridge strip is used up.	▶ Remove the cartridge strip from the tool. ▶ Insert a new cartridge strip.
	There are less than 15 fasteners in the tool.	▶ Load new fastener strips.
	The tool is not adequately compressed.	▶ Press the nose of the tool against the working surface again and pull the trigger.
	Fastener transport malfunction.	▶ Check that the fastener strips are free to move. ▶ Remove any damaged or defective cartridge strips or strips containing damaged or defective fasteners.
	The tool is clogged with dirt.	▶ Clean the tool.
	The cartridges are unsuitable.	▶ Contact <b>Hilti</b> Service. ▶ Do not attempt to forcibly remove cartridges or the cartridge strip.
	The tool is damaged.	▶ Contact <b>Hilti</b> Service.
Fastener stand-off is too low.	The fastener missed the beam.	▶ Mark the position of the beam and drive another fastener.
	Driving power is too high.	▶ Reduce the driving power (adjust the power regulation) or use less powerful cartridges – if available.
	The piston is worn.	▶ Change the piston and piston stopper together (as a set).
	The wrong piston has been fitted.	▶ Check that the right piston / fastener combination is used.
Fastener stand-off is too high.	The fastener is too close to the edge of the beam.	▶ Mark the position of the beam and drive another fastener.
	Driving power is too low.	▶ Increase the driving power (adjust the power regulation) or use more powerful cartridges – if available.
	The tool is clogged with dirt.	▶ Clean the tool.

Trouble or fault	Possible cause	Action to be taken
Fastener stand-off is too high.	The piston is broken.	► Change the piston and piston stopper together (as a set).
	The tool is damaged.	► Contact <b>Hilti</b> Service.
Shear breakage.	The fastener was driven into the rib of the beam.	► Mark the position of the rib of the beam and then drive another fastener alongside.
	The supporting material is thicker and/or of higher strength.	► Increase the driving power (adjust the power regulation) or use more powerful cartridges – if available.
The tool remains compressed (does not extend when pressure is released).	The piston jams in the piston stopper.	► Turn the rotating sleeve and change the piston and piston stopper together (as a set). → page 10
	The tool is clogged with dirt.	► Clean the tool.
	The piston guide is clogged with dirt.	► If necessary, turn the rotating sleeve, disassemble the base plate → page 10 and clean the piston guide → page 11.
No fastener is driven.	The piston wasn't fitted.	► Fit the piston in the tool.
	The piston is broken.	► Change the piston and piston stopper together (as a set).
	The fastener guide is clogged with dirt.	► Clean the base plate and the parts attached to it using the brushes intended for this purpose.
	A fastener is jammed in the fastener guide.	► Remove the jammed fastener. ► Avoid shear breakage. Avoid missing the beam. It may be necessary to mark the position of the beam better in future.
The base plate cannot be screwed on fully.	The piston stopper is fitted the wrong way round.	► Unscrew the base plate, fit the piston stopper the right way round and then screw the base plate on again.
	The piston guide is clogged with dirt behind the connecting thread.	► Clean the piston guide. ► Lubricate the connecting thread.
The tool cannot be pressed fully against the working surface.	The rotating sleeve is not fully closed.	► Close the rotating sleeve. → page 8
	The nail detector is jammed.	► Clean the base plate and remove all foreign objects. Take care to ensure adequate lubrication of the fastener strip guides with <b>Hilti</b> lubricant spray.
	Part of the nail detector is broken.	► Check for correct operation of the nail detector by checking that the tool is ready for use → page 6.

## 8 Disposal

♻️ Most of the materials from which **Hilti** tools and appliances are manufactured can be recycled. The materials must be correctly separated before they can be recycled. In many countries, your old tools, machines or appliances can be returned to **Hilti** for recycling. Ask **Hilti** Service or your Hilti representative for further information.

## 9 Manufacturer's warranty

- ▶ Please contact your local **Hilti** representative if you have questions about the warranty conditions.

## 1 Indications relatives à la documentation




### 1.1 À propos de cette documentation

- Lire intégralement la présente documentation avant la mise en service. C'est la condition préalablement requise pour assurer la sécurité du travail et un maniement sans perturbations.
- Bien respecter les consignes de sécurité et les avertissements de la présente documentation ainsi que celles figurant sur le produit.
- Toujours conserver le mode d'emploi à proximité du produit et uniquement le transmettre à des tiers avec ce mode d'emploi.

### 1.2 Explication des symboles



#### 1.2.1 Avertissements

Les avertissements attirent l'attention sur des dangers liés à l'utilisation du produit. Les termes de signalisation suivants sont utilisés en combinaison avec un symbole :

	<b>DANGER !</b> Pour un danger imminent qui peut entraîner de graves blessures corporelles ou la mort.
	<b>AVERTISSEMENT !</b> Pour un danger imminent potentiel qui peut entraîner de graves blessures corporelles ou la mort.
	<b>ATTENTION !</b> Pour attirer l'attention sur une situation pouvant présenter des dangers entraînant des blessures corporelles légères ou des dégâts matériels.


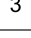


#### 1.2.2 Symboles dans la documentation

Les symboles suivants sont utilisés dans la présente documentation :

	Lire le mode d'emploi avant d'utiliser l'appareil
	Pour des conseils d'utilisation et autres informations utiles

#### 1.2.3 Symboles dans les illustrations



Les symboles suivants sont utilisés dans les illustrations :

	Ces chiffres renvoient à l'illustration correspondante au début du présent mode d'emploi.
	La numérotation détermine la séquence des étapes de travail dans l'image et peut se différencier de celles des étapes de travail dans le texte.
	Les numéros de position sont utilisés dans l'illustration <b>Vue d'ensemble</b> et renvoient aux numéros des légendes dans la section <b>Vue d'ensemble du produit</b> .
	Ce signe doit inviter à manier le produit en faisant particulièrement attention.

### 1.3 Symboles spécifiques au produit

#### 1.3.1 Symboles sur le produit

Les symboles suivants sont utilisés sur le produit :

	Avertissement, risque de surfaces chaudes
	Porter des gants de protection

### 1.4 Informations produit

Les produits **Hilti** sont conçus pour les utilisateurs professionnels et ne doivent être utilisés, entretenus et réparés que par un personnel agréé et formé à cet effet. Ce personnel doit être au courant des dangers inhérents à l'utilisation de l'appareil. Le produit et ses accessoires peuvent s'avérer dangereux s'ils sont utilisés de manière incorrecte par un personnel non qualifié ou de manière non conforme à l'usage prévu.

La désignation du modèle et le numéro de série figurent sur sa plaque signalétique.



- ▶ Inscrivez le numéro de série dans le tableau suivant. Les informations produit vous seront demandées lorsque vous contactez nos revendeurs ou services après-vente.

### Caractéristiques produit

Pistolet de scellement	DX 9-ENP
Génération	01
N° de série	

## 2 Sécurité

### 2.1 Consignes de sécurité

Cette documentation contient des remarques importantes pour une utilisation appropriée et en toute sécurité du pistolet de scellement. Les risques résiduels pourront être évités en mettant en œuvre en pratique et en respectant les consignes d'utilisation stipulées dans la présente documentation et sur le produit.

#### 2.1.1 Consignes de sécurité fondamentales

Outre les consignes techniques de sécurité indiquées dans les différents chapitres du présent mode d'emploi, il y a lieu de toujours respecter strictement les directives suivantes.

#### Utilisation de cartouches

En cas d'utilisation de cartouches de moindre qualité dans des outils **Hilti**, des dépôts de poudre non brûlée pourraient se former, susceptibles d'exploser subitement et de provoquer des blessures graves à l'utilisateur et aux personnes se trouvant à proximité. Les cartouches doivent être, soit contrôlées de manière incontestable par le constructeur conformément à la norme européenne EN 16264, soit porter la marque de conformité CE.

- ▶ Utiliser uniquement des cartouches **Hilti** ou des cartouches de qualité comparables qui sont homologuées pour l'appareil.

#### Exigences vis-à-vis de l'utilisateur

L'appareil est destiné à des utilisateurs professionnels.

L'appareil ne doit être utilisé, entretenu et réparé que par un personnel autorisé et qualifié, qui a été spécialement instruit quant aux dangers liés à l'utilisation de l'appareil.

- ▶ L'appareil doit seulement être utilisé par des personnes ayant suivi une formation spécifique à la sécurité donnée par des spécialistes **Hilti**.

#### Sécurité des personnes

- ▶ Ne jamais entreprendre de manipulation ni de modification sur l'appareil.
- ▶ Utiliser l'appareil adapté. Ne pas utiliser l'appareil à des fins non prévues, mais seulement conformément aux spécifications et dans un état technique irréprochable.
- ▶ Rester vigilant, surveiller ses gestes. Faire preuve de bon sens en utilisant l'appareil. N'utilisez pas l'appareil si vous n'êtes pas concentré.
- ▶ Pour éviter tout risque de blessure, utiliser uniquement des accessoires et pièces de rechange **Hilti** d'origine ou de qualité équivalente.
- ▶ Utiliser uniquement des éléments de fixation conçus et homologués pour l'appareil.
- ▶ Bien respecter les consignes concernant l'utilisation, le nettoyage et l'entretien qui figurent dans le présent mode d'emploi.
- ▶ Ne jamais diriger l'appareil vers soi ou une autre personne.
- ▶ Ne jamais appuyer l'appareil contre votre main ou contre une autre partie de votre corps (resp. contre une partie du corps d'une autre personne).
- ▶ Placer les éléments uniquement sur un support en acier de construction. Ne jamais essayer de placer des éléments sur d'autres matériaux support tels que des matériaux support en fonte, en acier trempé, cassant ou à ressort.
- ▶ Actionner la détente uniquement lorsque l'appareil est en contact avec le matériau support et appuie complètement.
- ▶ Toujours tenir le pistolet de scellement perpendiculairement au matériau support lors de l'implantation, pour éviter que l'élément de fixation ne dévie du matériau support.
- ▶ Ne jamais refixer l'élément par un deuxième tir, car l'élément risque de se rompre.
- ▶ Veiller à ce que les poignées soient toujours sèches, propres et exemptes de traces de graisse et d'huile.
- ▶ Ne jamais laisser un appareil chargé sans surveillance.
- ▶ Toujours retirer les cartouches avant d'entamer les travaux de nettoyage, de maintenance et d'entretien.
- ▶ Ne jamais laisser l'appareil sans surveillance.

- ▶ Tous les appareils non utilisés doivent être rangés déchargés (bande-chargeur de cartouches enlevée) dans un endroit sec et fermé, qui soit inaccessible aux enfants.
- ▶ Ne jamais appuyer l'appareil lorsque le cliquet est utilisé car il y a risque de blessures aux mains de l'utilisateur.
- ▶ Retirer avec précaution la bande-chargeur de cartouches de l'appareil. Ne jamais essayer de retirer de force des cartouches de leur bande-chargeur ou de l'appareil.
- ▶ Ne jamais démonter l'appareil lorsqu'il est très chaud ou, si cela ne peut pas être évité, porter des gants de protection.
- ▶ Conserver les cartouches non utilisées dans un endroit sec, en hauteur ou fermé à clé, hors de portée des enfants.
- ▶ Ne pas utiliser l'appareil si des pièces sont abîmées ou si des organes de commande ne fonctionnent pas parfaitement. Faire réparer l'appareil par le S.A.V. **Hilti**.

### Sécurité sur le lieu de travail

- ▶ Veiller à ce que l'espace de travail soit bien éclairé.
- ▶ Laisser le poste de travail en ordre. Débarrasser le poste de travail de tous objets susceptibles de blesser.
- ▶ Porter des chaussures à semelle antidérapante.
- ▶ Pendant l'utilisation, l'utilisateur ainsi que les personnes se trouvant à proximité doivent porter des lunettes de protection, un casque de protection, un casque antibruit et des gants de protection appropriés.
- ▶ Lorsque l'appareil n'est pas utilisé, le ranger sous clé avec les cartouches et toujours hors de portée des enfants.
- ▶ Veiller à ce qu'aucun enfant ni personne ne se tienne à proximité de l'espace de travail.
- ▶ Adopter une bonne posture. Veiller à toujours garder une position stable et équilibrée.
- ▶ Lors de l'utilisation de l'appareil, garder les bras fléchis (ne pas tendre les bras). En cas de douleurs ou de gêne, cesser d'utiliser l'appareil.
- ▶ Avant de placer les éléments, s'assurer que personne ne se trouve derrière les tôles à fixer.
- ▶ Prêter attention aux influences de l'environnement de l'espace de travail. Ne pas utiliser l'appareil dans des endroits présentant un danger d'incendie ou d'explosion.

## 3 Description

### 3.1 Vue d'ensemble du produit 1

①	Écran	⑨	Embase
②	Touche Bluetooth	⑩	Bouton de déverrouillage du chargeur
③	Touche de réinitialisation	⑪	Poignée de manutention
④	Poignée	⑫	Chargeur
⑤	Guide d'entrée des cartouches	⑬	Touche de déclenchement
⑥	Molette de réglage de la puissance	⑭	Ouverture de sortie pour cartouches
⑦	Douille rotative	⑮	Cliquet
⑧	Bouche de canon (échangeable)		

### 3.2 Utilisation conforme à l'usage prévu

Le produit décrit est un pistolet de scellement conçu pour implanter des éléments de fixation spéciaux pour la fixation de plaques nervurées sur des poutres porteuses en acier.

### 3.3 Mauvaise utilisation possible

Le pistolet de scellement ne doit pas être utilisé dans un environnement présentant des risques d'incendie ou d'explosion.

Le pistolet de scellement ne doit pas être utilisé avec d'autres cartouches et éléments de fixation que ceux homologués pour le pistolet de scellement.

Les éléments de fixation ne doivent pas être implantés sur d'autres matériaux que de l'acier de construction, en particulier pas dans de l'acier trempé, de l'acier poreux, de la fonte ou de l'acier à ressort.

### 3.4 Dispositifs de sécurité

Le pistolet de scellement offre une quintuple protection pour la sécurité de l'utilisateur de l'appareil et de son environnement de travail.

## Principe du piston

L'énergie de la charge propulsive est transmise à un piston dont la masse, accélérée, enfonce l'élément de fixation dans le matériau support.

Du fait du principe du piston, l'appareil est classé dans la catégorie "Low Velocity Tool". Environ 95 % de l'énergie cinétique est contenue dans le piston. Comme le piston est arrêté dans toutes les circonstances à la fin de chaque cycle de positionnement, l'excédent d'énergie reste dans l'appareil. Ce qui exclut quasiment tous transpercements dangereux du matériau support à des vitesses de sortie des éléments de plus de 100 m/s, à condition que l'appareil soit correctement utilisé.

## Sécurité contre les tirs intempestifs en cas de chute

La sécurité contre les tirs intempestifs en cas de chute résulte de l'action combinée du mécanisme de mise à feu et de la course d'implantation. Elle évite toute mise à feu intempestive si l'appareil vient à tomber sur une surface dure, quel que soit l'angle de chute.

## Sécurité de détente

La sécurité de détente évite toute percussion lorsque seule la détente est pressée. Pour qu'il y ait percussion, il faut en plus que l'appareil prenne appui contre un support solide.

## Sécurité d'appui

La sécurité d'appui nécessite d'exercer une force d'appui supérieure à 50 N pour que la percussion puisse se produire. Par conséquent, le tir n'est possible que si l'appareil est complètement appuyé contre le matériau support.

## Sécurité de déclenchement

L'appareil est équipé d'une sécurité de déclenchement, qui empêche toute percussion inopinée si la détente est pressée avant que l'appareil soit appuyé contre la surface de travail. L'appareil peut uniquement correctement être appuyé et déclenché, lorsqu'il est d'abord fermement et ensuite seulement, sa détente pressée.

## 3.5 Indicateur d'entretien

L'indicateur d'entretien intégré à la poignée se compose de l'afficheur ainsi que des touches Bluetooth et de réinitialisation.

L'afficheur indique la température du pistolet de scellement afin d'éviter tout problème d'échauffement en adaptant la vitesse de travail.

L'indicateur d'entretien affiche le compteur de tirs ainsi que, lorsque la valeur limite programmée est atteinte, l'échéance de nettoyage resp. d'entretien de l'appareil.

Bluetooth permet de lire les données des tirs ainsi que d'autres données enregistrées dans l'indicateur de maintenance (p. ex. le numéro de série de l'appareil, le nombre de tirs effectués ou la date du dernier entretien de l'appareil) via l'App pour portable **Hilti Connect**.

Une fois le nettoyage effectué, le compteur de tirs peut être remis à zéro jusqu'à la prochaine échéance de nettoyage à l'aide de la touche de réinitialisation.

L'affichage d'entretien ainsi que le compteur de tirs interne jusqu'à la prochaine échéance de nettoyage sont réinitialisés par le S.A.V. **Hilti** une fois l'entretien de l'appareil effectué.

Un mode Démo peut être activé par le biais de l'App pour portable, qui présente à l'utilisateur les différents messages de l'interface d'entretien dans l'intervalle de 48 tirs et ce, jusqu'à l'échéance d'entretien.

Le mode Démo peut à nouveau être désactivé par le biais de l'App pour portable. Au bout de 15 minutes, le mode Démo est automatiquement désactivé.



### Remarque

En mode Démo, l'afficheur ne reflète pas l'état actuel de l'appareil.

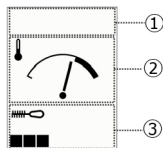
Les tirs sont aussi enregistrés en mode Démo de sorte que les positions du compteur correspondent ainsi toujours aux valeurs réelles.

---

### 3.6 Indications d'affichage

#### Afficheur de l'indicateur d'entretien

- ① Zone supérieure
- ② Zone médiane
- ③ Zone inférieure



#### Affichages dans la partie supérieure de l'écran

Symbole	Description
	Le symbole Bluetooth apparaît lorsque la connexion Bluetooth est active.
	Le symbole de tournevis apparaît lorsque l'entretien arrive à échéance. Faire entretenir le pistolet de scellement exclusivement par le service après-vente <b>Hilti</b> .

#### Affichages dans la partie médiane de l'écran

Affichages	Description
	La température de l'appareil est indiquée dans la partie médiane de l'écran. La température de l'appareil est ici dans la plage normale.
	La température de l'appareil est extrêmement élevée. Un signal d'avertissement rend attentif au fait que le travail ne devrait pas être interrompu à cette température de l'appareil, sans quoi il risque d'y avoir percussion prématurée de la cartouches et les bandes-chargeurs d'éléments risquent de fondre. Il est par conséquent recommandé, avant d'interrompre le travail, de poursuivre le travail à faible cadence le temps que la température de l'appareil se normalise. Important : Si le travail a été interrompu alors que le signal d'avertissement était affiché, les bandes-chargeurs de cartouches et les bandes-chargeurs d'éléments doivent être immédiatement sorties de l'appareil.

#### Affichage dans la partie inférieure de l'écran

Affichages	Description
	Sur le bord inférieur gauche, un graphique à barres de 1 à 7 segments affiche l'intervalle restant jusqu'au prochain nettoyage de l'appareil. Le nettoyage n'est donc pas encore nécessaire dans les prochains temps.
	Si les 7 segments sont affichés, le nettoyage doit se faire dans les prochains temps.
	Le nombre max. de tirs a été atteint, l'appareil doit être nettoyé.
	Le carré noir sur le bord inférieur droit indique que le mode Démo est actif. Dans ce cas, l'affichage ne renseigne pas sur l'état effectif de l'appareil. Le mode Démo peut être désactivé par le biais de l'App <b>Hilti Connect</b> . Au bout de 15 minutes, le mode Démo est automatiquement désactivé.

### 3.7 Équipement livré

Pistolet de scellement, coffret, kit de nettoyage, grattoir, poussoir, spray **Hilti**, mode d'emploi.



#### Remarque

D'autres produits système autorisés pour votre produit peuvent être obtenus auprès du S.A.V. **Hilti** ou en ligne sous : [www.hilti.com](http://www.hilti.com)

## 4 Caractéristiques techniques

### 4.1 Caractéristiques de l'appareil

	<b>DX 9-ENP</b>
<b>Poids</b>	26,50 lb (12,02 kg)
<b>Dimensions (L × l × H)</b>	38,6 in × 12,6 in × 7,4 in (980 mm × 320 mm × 188 mm)
<b>Capacité du chargeur</b>	40 pointes /40 cartouches
<b>Cartouches utilisables</b>	Cartouches 6.8/18 M40 rouge, noir ou autres autorisées pour l'appareil
<b>Éléments de fixation utilisables</b>	X-ENP 19
<b>Épaisseur du support en acier</b>	> 1/4"
<b>Course d'implantation</b>	3,5 in (89 mm)
<b>Pression d'appui</b>	≥ 81 lb, (≥ 360 N)
<b>Température de service ( température ambiante)</b>	5 °F ... 122 °F (-15 °C ... 50 °C)

### 4.2 Valeurs d'émissions acoustiques

Les valeurs d'émissions sonores fournies ont été déterminées dans les conditions d'utilisation générales suivantes :

#### Conditions essentielles à la mesure du bruit

Pistolet de scellement	DX 9-ENP
Modèle	Série
Calibre	8.6/18 noir
Réglage de puissance	4
Application	Fixation sur plaque d'acier (dureté Brinell 610 N/mm <sup>2</sup> ) avec X-ENP-19 L15MXR

#### Valeurs de bruit mesurées selon EN 15895

<b>Niveau de pression acoustique d'émission (L<sub>pA</sub>)</b>	103 dB(A)
<b>Incertitude sur le niveau de pression acoustique (K<sub>pA</sub>)</b>	2 dB(A)
<b>Niveau de puissance acoustique (L<sub>WA</sub>)</b>	113 dB(A)
<b>Incertitude sur le niveau de puissance acoustique (K<sub>WA</sub>)</b>	2 dB(A)
<b>Niveau de pression acoustique de pointe d'émission (L<sub>pc, peak</sub>)</b>	137 dB(C)
<b>Incertitude sur le niveau de pression acoustique de crête (K<sub>pcpeak</sub>)</b>	2 dB(C)

### 4.3 Vibration

La valeur totale des vibrations devant être indiquée conformément à 2006/42/EC ne dépasse pas 2,5 m/s<sup>2</sup>.

## 5 Utilisation

### 5.1 Préparatifs

#### 5.1.1 Définir la position des éléments de fixation

Pour éviter des ratés de tir, procédez comme suit :

- ▶ Lors de la pose de la plaque nervurée sur la poutre porteuse en acier, marquer avec un feutre résistant à l'eau la zone dans laquelle les éléments de fixation peuvent être implantés.



#### Remarque

Procéder ainsi pour chacune des plaques nervurées. Il ne suffit pas de repérer le début et la fin de la poutre et de tracer ensuite une ligne droite, car la structure porteuse peut présenter des courbures.

#### 5.1.2 Contrôle de la disponibilité du pistolet de scellement



#### Remarque

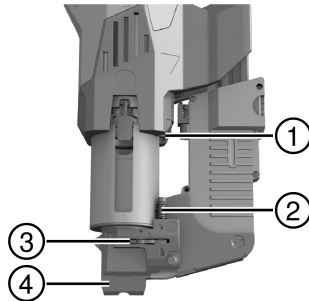
Ce contrôle doit toujours être effectué directement avant l'utilisation du pistolet de scellement ainsi qu'après le remontage de l'appareil après le nettoyage ou le contrôle régulier du piston et de la butée de piston.

1. Vérifier que le pistolet de scellement ne présente pas de dommages visibles en particulier sur les composants représentés dans l'illustration.

#### Résultat

Présence de dommages visibles

- ▶ Faire réparer l'appareil par le S.A.V. Hilti.



- ① Butée
- ② Tige d'éjection
- ③ Éjecteur
- ④ Bouche de canon

2. S'assurer qu'aucune bande-chargeur de cartouches ni bande-chargeur d'éléments **ne se trouve dans l'appareil**.
3. Comprimer l'appareil autant que nécessaire pour sentir une nette résistance et vérifier la position de la tige d'éjection.

#### Résultat 1 / 2

La tige d'éjection n'a pas été abaissée, le ressort sur la tige d'éjection n'est pas comprimé.

L'appareil n'a détecté aucune pointe et ne peut par conséquent pas être comprimé. L'appareil travaille correctement.

#### Résultat 2 / 2

La tige d'éjection est complètement abaissée, le ressort sur la tige d'éjection est comprimé, un clic se fait entendre lors de l'actionnement des touches de déclenchement.

L'éjecteur est éventuellement bloqué. Nettoyer à nouveau l'appareil et réitérer le contrôle. Si le problème devrait persister, faire réparer l'appareil par le S;A.V. Hilti.

4. Détendre l'appareil.
5. Charger les bandes-chargeurs d'éléments → Page 23, mais **sans aucune bande-chargeur de cartouches**.
6. Comprimer à nouveau l'appareil et vérifier si un clic se fait entendre lors de l'actionnement des touches de déclenchement.

### Résultat 1 / 3

L'appareil ne peut pas être complètement comprimé, un déclenchement n'est pas possible.

- ▶ S'assurer que la douille rotative est bien fermée. Le cas échéant, tourner la douille rotative vers la gauche jusqu'en butée.
- ▶ Vérifier la position de l'éjecteur. Si l'éjecteur n'est pas nettement poussé vers la gauche, faire réparer l'appareil par le S.A.V. **Hilti**.

### Résultat 2 / 3

L'appareil peut être complètement comprimé (le ressort sur la tige d'éjection complètement comprimé), un clic se fait entendre lors de l'actionnement des touches de déclenchement.

La détection d'élément de fixation de l'appareil fonctionne bien, l'appareil peut être utilisé.

### Résultat 3 / 3

L'appareil peut être complètement comprimé (le ressort sur la tige d'éjection complètement comprimé), mais aucun clic ne se fait entendre lorsque les touches de déclenchement sont actionnées.

- ▶ Faire réparer l'appareil par le S.A.V. **Hilti**.

## 5.1.3 Chargement des bandes-chargeurs d'éléments 2

1. Guider les 4 bandes-chargeurs d'éléments par le haut dans le chargeur.

### Matériau

Éléments de fixation  
X-ENP 19

2. Enfoncez la dernière bande-chargeur à fond jusqu'à ras du chargeur.

## 5.1.4 Chargement des bandes-chargeurs de cartouches 3

1. Introduire la bande-chargeur de cartouches par le haut dans le guide d'entrée des cartouches.

### Matériau

Cartouche 6,8/18 M40 rouge, noir ou autre autorisée pour l'appareil (voir les recommandations relatives aux cartouches dans les instructions du mode d'emploi de l'élément de fixation)

2. Pousser la bande-chargeur de cartouches dans le guide d'entrée des cartouches jusqu'à ce qu'elle soit à fleur avec le bord supérieur du guide d'entrée des cartouches.

## 5.1.5 Ouverture de la douille rotative 4

- ▶ Tourner la douille rotative jusqu'en butée. Si nécessaire, s'aider d'un grattoir ou d'un autre outil.



### Remarque

Permet l'accès au cliquet si le pistolet de scellement est coincé.

## 5.1.6 Fermeture de la douille rotative 5

- ▶ Tourner la douille rotative jusqu'en butée. Si nécessaire, s'aider d'un grattoir ou d'un autre outil.



### Remarque

Si la douille rotative n'est pas complètement fermée, le pistolet de scellement ne peut pas être complètement pressé et n'est par conséquent pas fonctionnel.

## 5.2 Maniement

### 5.2.1 Tir d'éléments de fixation 3



#### ATTENTION

**Risque de blessures !** Si l'appareil est extrêmement chaud (voir l'indicateur d'entretien), il y a un risque de mise à feu des cartouches sous l'effet de la chaleur et de projections d'éclats de matériau.

- ▶ Retirer immédiatement les cartouches hors de l'appareil en cas d'interruption du travail.
- ▶ S'il n'est pas possible de retirer les cartouches hors de l'appareil, arrêter immédiatement l'appareil et veiller à ce que toutes les personnes respectent une distance de sécurité de 3 m de l'appareil jusqu'à ce que l'aiguille de l'indicateur de température soit complètement à gauche.

1. Appuyer l'appareil perpendiculairement à la surface de travail.

2. Actionner les touches de déclenchement sur la poignée.
  - ◁ L'élément de fixation est tiré.
  - ▽ Impossible de déclencher un tir.
    - ▶ Vérifier s'il y a encore suffisamment d'éléments disponibles dans le chargeur.



**Remarque**

S'il y a moins de 15 éléments de fixation dans le chargeur, ceux-ci ne sont pas entraînés. Si tel est le cas, le chargeur doit être rempli avec d'autres bandes-chargeurs d'éléments.

3. Placer l'appareil à l'endroit où le prochain élément de fixation doit être implanté et répéter les étapes de travail décrites. Ce faisant, tenir compte des indicateurs sur l'afficheur. → Page 20



**Remarque**

Au début des travaux, contrôler l'enfoncement de la pointe directement après les premiers tirs puis à intervalles réguliers pour pouvoir régler correctement la puissance de l'appareil et garantir des tirs corrects.

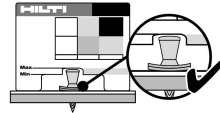
**5.2.2 Contrôle de l'enfoncement de la pointe**

1. Vérifier l'enfoncement de la pointe à l'aide du calibre de contrôle.

**Résultat 1 / 3**

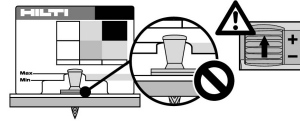
- L'enfoncement de la pointe est dans la plage prescrite.

La puissance de l'appareil est correctement réglée. Le contrôle est terminé.



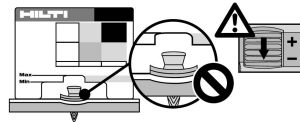
**Résultat 2 / 3**

- L'enfoncement de la pointe est trop élevé.
- ▶ Augmenter la puissance en réglant la molette de réglage sur une puissance plus élevée.
- ▶ Si la molette de réglage de la puissance est déjà réglée sur le maximum, mettre en place un type de cartouche plus résistant – si disponible.



**Résultat 3 / 3**

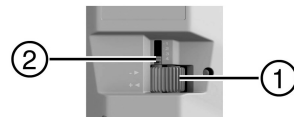
- L'enfoncement de la pointe est trop faible.
- ▶ Réduire la puissance en réglant la molette de réglage sur une puissance plus faible.
- ▶ Si la molette de réglage de la puissance est déjà réglée sur le minimum, mettre en place un type de cartouche plus faible – si disponible.



2. Poser un autre élément.
3. Répéter les étapes de travail décrites précédemment jusqu'à atteindre l'enfoncement adéquat de la pointe.

**5.2.3 Réglage de la puissance**

- ▶ Tourner la molette de réglage de la puissance selon la puissance souhaitée.
  - ◁ Le réglage actuel de la puissance est affiché.



- ① Molette de réglage de la puissance
- ② Affichage de la puissance réglée



## 5.2.4 Retrait des cartouches hors de l'appareil 7

1. Appuyer aussi loin que possible sur la bande-chargeur de cartouches dans le sens de l'avance.
2. Retirer la bande-chargeur de cartouches de l'ouverture de retrait de la cartouche.

## 5.2.5 Retrait des éléments de fixation hors de l'appareil 8



### Remarque

Les éléments de fixation peuvent généralement rester dans l'appareil, il n'est pas nécessaire de les retirer par ex. à la fin du travail.

1. S'assurer que les cartouches ont été préalablement retirées de l'appareil. → Page 25
2. Poser l'appareil sur la poignée.
3. Appuyer sur le cran rouge à l'entrée du chargeur et laisser glisser la bande de pointes hors du chargeur.
4. Si la bande de pointes ne dépasse pas de l'embase, appuyer sur la butée et répéter l'opération jusqu'à ce que la bande de pointes sorte de l'appareil.
5. Retirer la bande de pointes de l'appareil au niveau de la butée enfoncée.

## 6 Nettoyage et entretien

### 6.1 Contrôle et remplacement éventuel du piston et de la butée de piston 9



### Remarque

Une erreur de tir peut coincer le piston dans la butée de piston. Lorsque le piston et la butée de piston sont fermement coincés ensemble, ces composants ont atteint la fin de leur durée de vie. Dans cet état, un réarmement est impossible.

La vérification du piston et de la butée de piston doit être effectuée à intervalles réguliers, au moins une fois par jour.

1. Démontez l'embase. → Page 25
2. Retirer le piston du guide-piston.
3. De plus, retirer également la butée de piston (éventuellement à l'aide du piston) de l'embase.
4. Vérifier si le piston et la butée de piston sont endommagés. Vérifier que le piston n'est pas déformé en le roulant sur une surface lisse.



### Remarque

N'utiliser aucun piston usé et n'effectuer aucune manipulation sur le piston.

Tenir compte des critères d'usure des principaux composants dans le chapitre Nettoyage et entretien. → Page 27

### Résultat

Présence de salissures, piston tordu et/ou piston avec butée de piston coincés

► Remplacer le piston et la butée de piston par paire.

5. Tirer le cliquet et le maintenir fermement. Introduire ensuite le piston jusqu'à ce que la pointe du piston ne dépasse plus du bord de l'appareil et relâcher le cliquet.
6. Insérer la butée de piston comme il convient (caoutchouc vers l'avant) dans l'embase.
7. Monter l'embase. → Page 26

### 6.2 Démontage de l'embase 10



### AVERTISSEMENT

**Risque de blessures !** Il y a un risque de mise à feu des cartouches.

- S'assurer que toutes les cartouches ont été retirées de l'appareil avant de procéder aux tâches suivantes sur l'appareil.



### DANGER

**Risque de brûlures !** Lors de l'utilisation de l'appareil, les composants risquent de devenir brûlants.

- Porter impérativement des gants de protection si des opérations d'entretien doivent être effectuées sur l'appareil sans avoir laissé l'appareil refroidir au préalable.

1. Poser l'appareil sur la poignée.
2. Appuyer sur le bouton de déverrouillage du chargeur (touche rouge) sur le chargeur et laisser glisser le chargeur vers le bas.
3. Tourner l'embase dans le sens inverse des aiguilles d'une montre jusqu'à ce que le raccord s'ouvre.
4. Retirer l'embase.

### 6.3 Montage de l'embase **11**

1. S'assurer que la butée de piston a été introduite correctement dans l'embase, et que le guide-piston et le piston sont correctement en place dans l'appareil.
2. Appuyer l'embase contre le filetage.
3. Tourner l'embase dans le sens des aiguilles d'une montre jusqu'en butée.
4. Tourner l'embase dans l'autre sens jusqu'à la position de sortie au-dessus du chargeur.
5. Pousser le chargeur en arrière jusqu'à ce qu'il s'encliquette dans l'embase.

### 6.4 Nettoyage du pistolet de scellement **12**



#### AVERTISSEMENT

**Risque de blessures !** Il y a un risque de mise à feu des cartouches.

- ▶ S'assurer que toutes les cartouches ont été retirées de l'appareil avant de procéder aux tâches suivantes sur l'appareil.



#### DANGER

**Risque de brûlures !** Lors de l'utilisation de l'appareil, les composants risquent de devenir brûlants.

- ▶ Porter impérativement des gants de protection si des opérations d'entretien doivent être effectuées sur l'appareil sans avoir laissé l'appareil refroidir au préalable.

1. Démontez l'embase. → Page 25
2. Tirer le cliquet vers l'extérieur et le maintenir fermement. Sortir le piston du guide-piston puis relâcher le cliquet.
3. Sortir la butée de piston de l'embase. Le cas échéant, faire sortir la butée de piston à l'aide du piston hors de l'embase.
4. Tirer le cliquet vers l'extérieur et le maintenir fermement. Tirer le guide-piston vers le haut de l'appareil puis relâcher le cliquet.
5. Nettoyer les faces intérieures de l'appareil. Mettre ensuite l'appareil sur la tête et tapoter contre l'appareil pour faire ressortir les saletés.
6. Nettoyer les surfaces du guide-piston (voir zone marquée) à l'aide de la grande brosse métallique accessoire.
7. À l'aide du petit écouvillon, nettoyer le logement de la cartouche ainsi que les orifices se trouvant à côté et prévus pour la broche d'ajustement.
8. Nettoyer le canal à cartouche avec l'écouvillon fin.
9. Lubrifier l'élément mobile du guide de bande de pointes avec le spray **Hilti**.



#### Remarque

Si un autre lubrifiant est utilisé, il y a un risque d'endommager les pièces en caoutchouc, en particulier la butée de piston. De plus, d'autres lubrifiants risquent de se mélanger avec les poussières résiduelles et provoquer ainsi des dépôts.

10. Insérer par le haut de l'appareil le guide-piston jusqu'à ce que le cliquet se verrouille.
11. Tirer le cliquet et le maintenir fermement. Introduire ensuite le piston jusqu'à ce que la pointe du piston ne dépasse plus du bord de l'appareil et relâcher le cliquet.
12. Insérer la butée de piston comme il convient (caoutchouc vers l'avant) dans l'embase.
13. Monter l'embase. → Page 26
14. Appuyer au moins 1 seconde sur la touche de réinitialisation pour remettre le compteur de tirs à zéro jusqu'à la prochaine échéance de nettoyage.
15. Vérifier que le pistolet de scellement est prêt à être utilisé. → Page 22

## 6.5 Critères d'usure des principaux composants



### Remarque

Les dommages sur les composants de l'appareil qu'il suffit de remplacer, comme par exemple des pièces cassées, ne sont pas énumérés dans les tableaux suivants.

### Critères d'usure du piston et de la butée de piston

État	Illustration à titre d'exemple	Remarque
État neuf		
Usé		Des débris de matériau sont restés à la pointe du piston.
		Le piston est enfoncé de 3 mm ou plus dans la butée de piston.

### Critères d'usure de la bouche de canon

État	Illustration à titre d'exemple	Remarque
État neuf		
Usé		Matériau fragmenté.

## 7 Guide de dépannage

### 7.1 Dépannage après défaut ou absence de mise à feu

- ▶ Appuyer l'appareil contre la surface de travail et déclencher un tir.
  - ▽ Il n'y a pas de mise à feu de la cartouche.
    - ▶ Enlever l'appareil de la surface de travail. Ne jamais diriger l'appareil vers soi ou une autre personne.
    - ▶ Déplacer manuellement d'une cartouche la bande-chargeur de cartouches du côté de l'amenée des cartouches ou retirer manuellement une cartouche de la bande-chargeur de cartouches du côté de l'orifice de sortie des cartouches.
    - ▶ Continuer d'utiliser les cartouches qui restent dans la bande-chargeur. Une fois la bande-chargeur terminée, la retirer de telle sorte qu'elle ne puisse être ni réutilisée, ni utilisée à mauvais escient.

### 7.2 Défaillance en cas d'appareil bloqué



#### AVERTISSEMENT

**Risque d'explosion !** En cas de maniement non conforme, il y a risque de mise à feu des cartouches.

- ▶ Ne jamais essayer de retirer avec force des cartouches ou des bandes-chargeurs de cartouches.

1. Comprimer l'appareil de quelques millimètres et ouvrir la douille rotative → Page 23.
  - ◀ Le cliquet est alors accessible et donne la possibilité d'ouvrir l'appareil.
2. Retirer les cartouches hors de l'appareil. → Page 25
3. Contrôler le piston et la butée de piston et les remplacer au besoin. → Page 25
4. Nettoyer le pistolet de scellement. → Page 26
5. Fermer la douille rotative. → Page 23

### 7.3 Aide au dépannage


En cas de défaillances non énumérées dans ce tableau ou auxquelles il n'est pas possible de remédier sans aide, contacter le S.A.V. **Hilti**.

Défaillance	Causes possibles	Solution
La cartouche n'est pas transportée	Bande de cartouches endommagée	▶ Remplacer la bande-chargeur de cartouches. Ne pas essayer d'enlever les cartouches resp. la bande-chargeur de cartouches avec force.
	Appareil endommagé	▶ Contacter le S.A.V. <b>Hilti</b> .
Impossible de retirer la bande-chargeur de cartouches	Appareil endommagé	▶ Contacter le S.A.V. <b>Hilti</b> .
L'appareil ne s'allume pas	Raté (percussion)	▶ Remédier à la défaillance. → Page 28
	La bande-chargeur de cartouches est vide	▶ Retirer la bande de cartouches de l'appareil. ▶ Mettre en place une nouvelle bande-chargeur de cartouches.
	Moins de 15 éléments dans l'appareil	▶ Recharger de nouvelles bandes-chargeurs d'éléments.
	Appareil pas suffisamment comprimé	▶ Comprimer à nouveau l'appareil puis déclencher un tir.
	Dispositif d'avance défaillant	▶ Vérifier la mobilité des bandes-chargeurs d'éléments. ▶ Éliminer les bandes-chargeurs d'éléments endommagées resp. les bandes-chargeurs d'éléments comportant des éléments endommagés.
	Appareil fortement encrassé	▶ Nettoyer l'appareil.

Défaillance	Causes possibles	Solution
L'appareil ne s'allume pas	Cartouches inappropriées	<ul style="list-style-type: none"> <li>▶ Contacter le S.A.V. <b>Hilti</b>.</li> <li>▶ Ne pas essayer d'enlever les cartouches resp. la bande-chargeur de cartouches avec force.</li> </ul>
	Appareil endommagé	▶ Contacter le S.A.V. <b>Hilti</b> .
Enfoncement trop faible de l'élément	Élément tiré à côté du support	▶ Repérer la position du bord du support et répéter le tir.
	Puissance trop élevée	▶ Réduire la puissance (réglage de puissance) resp. utiliser, dans la mesure du possible, des cartouches plus faibles.
	Piston usé	▶ Remplacer le piston et la butée de piston par paire.
	Piston erroné mis en place	▶ Utiliser la combinaison piston / élément adéquate.
Enfoncement trop important de l'élément	Élément trop proche du bord du support	▶ Repérer la position du bord du support et répéter le tir.
	Puissance trop faible	▶ Augmenter la puissance (réglage de puissance) resp. utiliser, dans la mesure du possible, des cartouches plus fortes.
	Appareil fortement encrassé	▶ Nettoyer l'appareil.
	Le piston est cassé	▶ Remplacer le piston et la butée de piston par paire.
	Appareil endommagé	▶ Contacter le S.A.V. <b>Hilti</b> .
Ruptures par cisaillement	Élément tiré à côté de la poutre	▶ Repérer l'emplacement de la poutre et procéder à un nouveau tir en conséquence.
	Épaisseur du matériau support et/ou résistance du matériau élevée	▶ Augmenter la puissance (réglage de puissance) resp. utiliser, dans la mesure du possible, des cartouches plus fortes.
Absence de détente de l'appareil	Le piston coince dans la butée de piston	▶ Tourner la douille rotative et remplacer le piston et la butée de piston par paire. → Page 25
	Appareil fortement encrassé	▶ Nettoyer l'appareil.
	Le guide-piston est trop encrassé	▶ Si nécessaire, tourner la douille rotative, démonter l'embase → Page 25 et nettoyer le guide-piston → Page 26.
Aucun élément n'est tiré	Piston non monté	▶ Introduire le piston dans l'appareil.
	Le piston est cassé	▶ Remplacer le piston et la butée de piston par paire.
	Canon très encrassé	▶ Nettoyer l'embase et ses pièces rapportées à l'aide de écouvillons prévus à aide des brosses prévues à cet effet.

Défaillance	Causes possibles	Solution
Aucun élément n'est tiré	Éléments coincés dans le canon	<ul style="list-style-type: none"> <li>▶ Enlever les éléments coincés.</li> <li>▶ Éviter les ruptures par cisaillement. Éviter de tirer à côté du support, le cas échéant pour les prochains tirs, mieux repérer l'emplacement du support.</li> </ul>
Impossible de visser complètement l'embase	Butée de piston introduite à l'envers	<ul style="list-style-type: none"> <li>▶ Dévisser l'embase, mettre la butée de piston correctement en place et revisser l'embase.</li> </ul>
	Guide-piston encrassé derrière le filetage de montage	<ul style="list-style-type: none"> <li>▶ Nettoyer le guide-piston.</li> <li>▶ Lubrifier le filetage de montage.</li> </ul>
Impossible de comprimer complètement l'appareil	Douille rotative pas complètement fermée	<ul style="list-style-type: none"> <li>▶ Fermer la douille rotative. → Page 23</li> </ul>
	Détecteur de clous bloqué	<ul style="list-style-type: none"> <li>▶ Nettoyer l'embase et enlever les corps étrangers éventuels. Veiller à ce que le guide de bandes-chargeur soit suffisamment lubrifié avec le spray <b>Hilti</b>.</li> </ul>
	Dispositif de détection d'élément de fixation endommagé	<ul style="list-style-type: none"> <li>▶ Vérifier le bon fonctionnement du dispositif de détection d'élément de fixation en contrôlant la disponibilité de l'appareil → Page 22.</li> </ul>

## 8 Recyclage

 Les appareils **Hilti** sont fabriqués pour une grande partie en matériaux recyclables. Le recyclage présuppose un tri adéquat des matériaux. **Hilti** reprend les appareils usagés dans de nombreux pays en vue de leur recyclage. Consulter le service clients **Hilti** ou un conseiller commercial.

## 9 Garantie constructeur

▶ En cas de questions sur les conditions de garantie, veuillez vous adresser à votre partenaire **Hilti** local.

## 1 Información sobre la documentación




### 1.1 Acerca de esta documentación

- Lea detenidamente esta documentación antes de la puesta en servicio. Ello es imprescindible para un trabajo seguro y un manejo sin problemas.
- Respete las indicaciones de seguridad y las advertencias presentes en esta documentación y en el producto.
- Conserve este manual de instrucciones siempre junto con el producto y entregue el producto a otras personas siempre acompañado del manual.

### 1.2 Explicación de símbolos



#### 1.2.1 Avisos

Las advertencias de seguridad advierten de peligros derivados del manejo del producto. Las siguientes palabras de peligro se utilizan combinadas con un símbolo:

	<b>¡PELIGRO!</b> Término utilizado para un peligro inminente que puede ocasionar lesiones graves o incluso la muerte.
	<b>¡ADVERTENCIA!</b> Término utilizado para un posible peligro inminente que puede ocasionar lesiones graves o incluso la muerte.
	<b>PRECAUCIÓN</b> Término utilizado para una posible situación peligrosa que puede ocasionar lesiones leves o daños materiales.


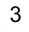


#### 1.2.2 Símbolos en la documentación

En esta documentación se utilizan los siguientes símbolos:

	Leer el manual de instrucciones antes del uso
	Indicaciones de uso y demás información de interés

#### 1.2.3 Símbolos en las figuras


En las figuras se utilizan los siguientes símbolos:

	Estos números hacen referencia a la figura correspondiente incluida al principio de este manual.
	La numeración describe el orden de los pasos de trabajo en la imagen y puede ser diferente de los pasos descritos en el texto.
	En la figura <b>Vista general</b> se utilizan números de posición y los números de la leyenda están explicados en el apartado <b>Vista general del producto</b> .
	Preste especial atención a este símbolo cuando utilice el producto.

### 1.3 Símbolos de productos

#### 1.3.1 Símbolos en el producto

En el producto se utilizan los siguientes símbolos:

	Advertencia de superficie caliente
	Utilizar guantes de protección

### 1.4 Información del producto

Los productos **Hilti** están diseñados para usuarios profesionales y solo deben ser manejados, conservados y reparados por personal autorizado y debidamente formado. Este personal debe estar especialmente instruido en lo referente a los riesgos de uso. La utilización del producto y sus dispositivos auxiliares puede conllevar riesgos para el usuario en caso de manejarse de forma inadecuada por personal no cualificado o utilizarse para usos diferentes a los que están destinados.

La denominación del modelo y el número de serie están indicados en la placa de identificación.

- ▶ Copie el número de serie en la siguiente tabla. Necesitará los datos del producto para realizar consultas a nuestros representantes o al Departamento de Servicio Técnico.

#### Datos del producto

Herramienta fijadora de clavos	DX 9-ENP
Generación	01
N.º de serie	

## 2 Seguridad

### 2.1 Indicaciones de seguridad

Esta documentación contiene indicaciones importantes para utilizar la fijadora de clavos de forma segura y adecuada. Evite los peligros residuales durante la utilización y tenga en cuenta las indicaciones de seguridad que se recogen en esta documentación y en el producto.

#### 2.1.1 Indicaciones básicas de seguridad

Además de las indicaciones de seguridad que aparecen en los distintos apartados de este manual de instrucciones, también es imprescindible cumplir las siguientes disposiciones.

##### Uso de cartuchos

Si se utilizan cartuchos de menor calidad en herramientas **Hilti**, pueden formarse acumulaciones de pólvora no quemada y explotar repentinamente, con el consiguiente riesgo de lesiones graves para el usuario y las personas situadas en el entorno de la herramienta. El fabricante de los cartuchos debe certificar que cumplen con la norma europea EN 16264 o bien llevar el marcado CE.

- ▶ Utilice únicamente cartuchos de **Hilti** o cartuchos de calidad equivalente que estén autorizados para la herramienta.

##### Requisitos para el usuario

Esta herramienta ha sido diseñada para el usuario profesional.

Solo el personal autorizado, debidamente formado e instruido en lo referente a los riesgos de uso puede manejar, realizar el mantenimiento y las reparaciones en la herramienta.

- ▶ No ponga en marcha la herramienta antes de haber recibido formación sobre su utilización segura por parte de un especialista de **Hilti**.

##### Seguridad de las personas

- ▶ No efectúe nunca manipulaciones o modificaciones en la herramienta.
- ▶ Utilice la herramienta adecuada. No utilice la herramienta para fines no previstos, sino únicamente de forma reglamentaria y en perfecto estado técnico.
- ▶ Permanezca atento, preste atención durante el trabajo y utilice la herramienta con prudencia. No utilice la herramienta si está desconcentrado.
- ▶ Utilice únicamente accesorios y piezas de repuesto originales de **Hilti** o de igual calidad a fin de evitar el riesgo de lesiones.
- ▶ Utilice exclusivamente elementos de fijación homologados para la herramienta.
- ▶ Observe las indicaciones sobre el funcionamiento, cuidado y mantenimiento incluidas en el manual de instrucciones.
- ▶ No dirija la herramienta hacia sí mismo o hacia otra persona.
- ▶ No ejerza presión con la herramienta contra su mano u otra parte del cuerpo (ni contra una parte del cuerpo de otra persona).
- ▶ Fije los elementos únicamente sobre una superficie de trabajo de acero de construcción. No intente fijarlos en otras superficies de trabajo o en acero templado o frágil, hierro fundido o acero para resortes.
- ▶ Accione el gatillo solo cuando la herramienta esté en contacto y completamente presionada contra la superficie de trabajo.
- ▶ Sujete la fijadora durante la fijación siempre en ángulo recto respecto a la superficie de trabajo; de esta forma se evita la desviación del elemento de fijación respecto a la superficie de trabajo.
- ▶ No inserte un mismo elemento de fijación por segunda vez, pues podría romperse.
- ▶ Mantenga las empuñaduras secas, limpias y sin residuos de aceite o grasa.
- ▶ No deje la herramienta cargada sin vigilancia.
- ▶ Extraiga siempre los cartuchos antes de realizar tareas de limpieza, reparación o mantenimiento.
- ▶ No deje la herramienta sin vigilancia.
- ▶ Guarde las herramientas que no se utilicen descargadas (habiendo retirado la tira de cartuchos), en un lugar seco y cerrado al que los niños no puedan acceder.



- ▶ No presione nunca la herramienta mientras está manejando el trinquete, ya que de lo contrario podrían producirse lesiones en la mano del usuario.
- ▶ Extraiga la tira de cartuchos de la herramienta con cuidado. No intente sacar a la fuerza los cartuchos de la tira del cargador o de la herramienta.
- ▶ No desarme la herramienta si está caliente; en caso de que resulte necesario hacerlo, utilice guantes de protección.
- ▶ Guarde los cartuchos que no se utilicen en un lugar seco, alto y cerrado, fuera del alcance de los niños.
- ▶ No utilice la herramienta si alguna de las piezas está dañada o si alguno de los elementos de manejo no funciona correctamente. Encargue la reparación de la herramienta al Servicio Técnico de **Hilti**.

### Seguridad en el lugar de trabajo

- ▶ Procure que haya una buena iluminación en la zona de trabajo.
- ▶ Mantenga ordenada la zona de trabajo. Mantenga el entorno de trabajo despejado de objetos que puedan ocasionarle lesiones.
- ▶ Utilice calzado antideslizante.
- ▶ Mientras utilice la herramienta, tanto usted como las personas que se encuentren a su alrededor deben llevar gafas protectoras, casco de protección, protección para los oídos y guantes de protección adecuados.
- ▶ Cuando no utilice la herramienta, manténgala siempre junto con los cartuchos en un lugar cerrado y fuera del alcance de los niños.
- ▶ Mantenga a los niños y otras personas alejados del área de trabajo.
- ▶ Evite posturas forzadas. Procure que la postura sea estable y manténgase siempre en equilibrio.
- ▶ Mantenga siempre los brazos ligeramente doblados (nunca estirados) al accionar la herramienta. Si empieza a sentir dolores o se siente indispuesto, deje de utilizar la herramienta.
- ▶ Antes de disparar los elementos, asegúrese de que no haya nadie detrás de las chapas que va a fijar.
- ▶ Tenga en cuenta las condiciones ambientales. No utilice la herramienta en lugares donde exista peligro de incendio o explosión.

## 3 Descripción

### 3.1 Vista general del producto

- |                                  |                                    |
|----------------------------------|------------------------------------|
| ① Pantalla                       | ⑨ Base                             |
| ② Tecla Bluetooth                | ⑩ Botón de desbloqueo del cargador |
| ③ Tecla de reinicio              | ⑪ Asa de transporte                |
| ④ Empuñadura                     | ⑫ Cargador                         |
| ⑤ Carril de entrada de cartuchos | ⑬ Tecla de disparo                 |
| ⑥ Regulador de potencia          | ⑭ Abertura de salida de cartuchos  |
| ⑦ Casquillo giratorio            | ⑮ Trinquete                        |
| ⑧ Boca (intercambiable)          |                                    |

### 3.2 Uso conforme a las prescripciones

El producto descrito es una fijadora de clavos; se utiliza para aplicar elementos de fijación especiales con los que fijar chapas de perfil trapezoidal sobre soportes de acero.

### 3.3 Posibles usos indebidos

La fijadora de clavos no debe utilizarse en atmósferas potencialmente explosivas o con peligro de incendio. La fijadora de clavos no debe utilizarse con cartuchos o elementos de fijación distintos a los autorizados para esta herramienta.

Los elementos de fijación no deben introducirse en otros materiales que no sean el acero de construcción; en particular, no deben aplicarse en acero templado o frágil, hierro fundido ni acero para resortes.

### 3.4 Dispositivos de seguridad

La fijadora de clavos ofrece una quintuple protección para garantizar la seguridad del usuario y su entorno de trabajo.

#### Principio del pistón

La energía de la carga propulsora es transmitida a un pistón, cuya masa acelerada impulsa el clavo contra la superficie de trabajo.

Dado que se basa en el principio del pistón, la herramienta puede clasificarse como una "Low Velocity Tool". Alrededor del 95 % de la energía cinética se concentra en el pistón. Debido a que el pistón siempre se detiene al final del proceso de fijación, existe siempre energía sobrante en la herramienta. Por ello, si la herramienta se usa correctamente es prácticamente imposible que se generen velocidades de salida del clavo de más de 100 m/s, y por lo tanto se produzcan lesiones peligrosas.

#### **Protección en caso de caída**

La unión entre el mecanismo de encendido y el recorrido de presión permite la incorporación de una protección en caso de caída. El cartucho no se prenderá si la herramienta choca contra una superficie dura, independientemente del ángulo en el que haya recibido el golpe.

#### **Protección del gatillo**

La protección del gatillo garantiza que solo el accionamiento del gatillo no active el proceso de fijación. Un proceso de fijación solo puede iniciarse cuando además se está ejerciendo presión con la herramienta contra una superficie firme.

#### **Protección mediante presión**

La protección mediante presión requiere una fuerza de apriete mínima de 50 N, de modo que el proceso de fijación solo podrá realizarse si la herramienta está completamente presionada.

#### **Seguro de disparo**

La herramienta está equipada con un seguro de disparo. Esto significa que no se producirá el disparo si se acciona el gatillo y a continuación se presiona la herramienta. La herramienta solamente podrá dispararse si la herramienta se presiona antes correctamente y a continuación se acciona el gatillo.

### **3.5 Indicador de funcionamiento**

El indicador de funcionamiento integrado en la empuñadura consta de pantalla y teclas de Bluetooth y de reinicio.

La pantalla muestra la temperatura de la fijadora de clavos; gracias a esta indicación es posible adaptar la velocidad de trabajo para prevenir problemas debido al sobrecalentamiento.

En el indicador de funcionamiento se cuentan las fijaciones, y cuando se alcanzan los valores límite programados, se indica cuándo son necesarios los próximos mantenimiento y limpieza.

Los datos sobre las fijaciones registrados en el indicador de funcionamiento y demás datos (p. ej., el número de serie de la herramienta, el número de fijaciones realizadas o la fecha del último mantenimiento de la herramienta, etc.) pueden consultarse por Bluetooth con la aplicación para móvil **Hilti Connect**.

Después de realizar la limpieza correctamente, con la tecla de reinicio se pone a cero el contador de fijaciones hasta la próxima limpieza.

Una vez llevado a cabo el mantenimiento de la herramienta, el Servicio Técnico de **Hilti** se encarga de poner a cero el indicador de mantenimiento y el contador interno de fijaciones hasta el próximo mantenimiento.

Con la aplicación para móvil puede activarse un modo de prueba, en el que el usuario recibe los distintos mensajes de la interfaz de servicio durante 48 fijaciones hasta el próximo mantenimiento.

El modo de prueba puede desactivarse también a través de la aplicación para móvil. Transcurridos 15 minutos, el modo de prueba se desactiva automáticamente.



#### **Indicación**

En el modo de prueba, las indicaciones no corresponden con el estado real de la herramienta.

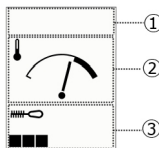
Las fijaciones también se registran en el modo de prueba, de manera que el estado del contador siempre representa los valores reales.

---

### 3.6 Indicadores de la pantalla

#### Pantalla con indicadores de funcionamiento

- ① Área superior
- ② Área central
- ③ Área inferior



#### Indicaciones en la parte superior de la pantalla

Símbolo	Explicación
	El símbolo de Bluetooth indica que el Bluetooth está activado.
	El símbolo de la llave de tuerca aparece cuando es necesario llevar a cabo el mantenimiento. La fijadora de clavos debe llevarse al Servicio Técnico de <b>Hilti</b> para que le realicen el mantenimiento.

#### Indicaciones en la parte media de la pantalla

Indicación	Explicación
	En el área central se muestra la temperatura de la herramienta. En este caso, se encuentra dentro del rango normal.
	La temperatura de la herramienta es muy alta. Un símbolo de advertencia avisa de que con esta temperatura no debe interrumpirse el trabajo para evitar que los cartuchos se prendan antes de tiempo y las tiras de clavos se fundan. Por eso se recomienda trabajar a un ritmo más bajo antes de interrumpir el trabajo; de esta manera se normaliza la temperatura de la herramienta. Importante: Si se va a interrumpir el trabajo con una herramienta que muestra el símbolo de advertencia, deben extraerse de inmediato las tiras de cartuchos y las tiras de clavos de la herramienta.

#### Indicaciones en la parte inferior de la pantalla

Indicación	Explicación
	En el margen inferior izquierdo hay una barra con 7 segmentos que indican cuándo se debe llevar a cabo la próxima limpieza. La herramienta todavía no necesita limpiarse próximamente.
	Los 7 segmentos destacados muestran que es necesaria una limpieza en breve.
	Se ha alcanzado la cantidad máxima de fijaciones y la herramienta debe limpiarse.
	El cuadrado negro situado en la esquina inferior derecha indica que está activo el modo de prueba. En este caso, no indica el estado real de la herramienta. El modo de prueba puede desactivarse a través de la aplicación para móvil <b>Hilti Connect</b> . Transcurridos 15 minutos, el modo de prueba se desactiva automáticamente.

### 3.7 Suministro

Fijadora de clavos, maletín, equipo de limpieza, rascador, introductor, spray **Hilti**, manual de instrucciones.



#### Indicación

Encontrará otros productos del sistema autorizados para su producto en su Centro **Hilti** o en internet, en [www.hilti.com](http://www.hilti.com)

## 4 Datos técnicos

### 4.1 Datos de la herramienta

	<b>DX 9-ENP</b>
<b>Peso</b>	26,50 lb (12,02 kg)
<b>Dimensiones (L × An × Al)</b>	38,6 in × 12,6 in × 7,4 in (980 mm × 320 mm × 188 mm)
<b>Capacidad del cargador</b>	40 clavos/40 cartuchos
<b>Cartuchos utilizables</b>	6.8/18 M40 rojo, negro u otros cartuchos autorizados para la herramienta
<b>Elementos de fijación utilizables</b>	X-ENP 19
<b>Grosor de la base de acero</b>	> 1/4"
<b>Recorrido de presión</b>	3,5 in (89 mm)
<b>Fuerza de apriete</b>	≥ 81 lb, (≥ 360 N)
<b>Temperatura de uso (temperatura ambiente)</b>	5 °F ... 122 °F (-15 °C ... 50 °C)

### 4.2 Información sobre la emisión de ruidos

Los valores de emisión de ruidos se han medido con las condiciones siguientes:

#### Condiciones para los valores de medición de ruido

Herramienta fijadora de clavos	DX 9-ENP
Modelo	Serie
Calibre	8.6/18 negro
Ajuste de potencia	4
Aplicación	Fijación sobre plancha de acero (dureza Brinell 610 N/mm <sup>2</sup> ) con X-ENP-19 L15MXR

#### Información sobre la emisión de ruidos según EN 15895

<b>Nivel de presión acústica de emisiones (<math>L_{pA}</math>)</b>	103 dB(A)
<b>Incertidumbre del nivel de intensidad acústica (<math>K_{pA}</math>)</b>	2 dB(A)
<b>Nivel de potencia acústica (<math>L_{WA}</math>)</b>	113 dB(A)
<b>Incertidumbre del nivel de potencia acústica (<math>K_{WA}</math>)</b>	2 dB(A)
<b>Nivel máximo de presión acústica de emisión (<math>L_{pC, peak}</math>)</b>	137 dB(C)
<b>Incertidumbre del nivel máximo de intensidad acústica (<math>K_{pCpeak}</math>)</b>	2 dB(C)

### 4.3 Vibración

El valor de vibración que debe indicarse conforme a la norma 2006/42/EC no supera los 2,5 m/s<sup>2</sup>.

## 5 Manejo

### 5.1 Preparación del trabajo

#### 5.1.1 Determinación de la posición de los elementos de fijación

A fin de evitar fijaciones incorrectas, proceda como se indica a continuación:

- ▶ Coloque las chapas trapezoidales sobre los soportes de acero y marque con un rotulador indeleble el área en la que pueden fijarse los elementos de fijación.



#### Indicación

Repita la operación para cada chapa trapezoidal. No basta con marcar el principio y el final del soporte para posteriormente trazar una línea recta, puesto que la construcción del soporte puede presentar curvaturas.

#### 5.1.2 Comprobación de la disponibilidad para el servicio de la fijadora de clavos



#### Indicación

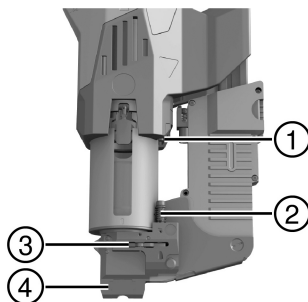
Esta comprobación deberá realizarse siempre justo antes de utilizar la fijadora de clavos y después de volver a ensamblar la herramienta después de la limpieza o de la comprobación periódica del pistón y del tope del pistón.

1. Compruebe que la fijadora de clavos no presente daños visibles, en particular en los componentes representados en la figura.

#### Resultado

Daño visible

- ▶ Encargue la reparación de la herramienta al Servicio Técnico de **Hilti**.



- ① Tope
- ② Espiga de presión
- ③ Corredera
- ④ Boca

2. Asegúrese de que **ni la tira de cartuchos ni la tira de clavos** se encuentren en la herramienta.
3. Presione la herramienta hasta que note una clara resistencia y compruebe la posición de la espiga de presión.

#### Resultado 1 / 2

La espiga de presión no se ha presionado, el muelle de la espiga de presión no está comprimido.

La herramienta no ha detectado ningún clavo y por eso no se puede presionar. La herramienta funciona correctamente.

#### Resultado 2 / 2

La espiga de presión está completamente presionada, el muelle de la espiga de presión está comprimido; al accionarse las teclas de disparo se oye un clic.

Es posible que la corredera esté atascada. La herramienta debe volver a limpiarse y debe repetirse la comprobación. Si el problema persiste, debe encargarse la reparación de la herramienta al Servicio Técnico de **Hilti**.

4. Destense la herramienta.
5. Cargue la tira de clavos → página 38, **no la tira de cartuchos**.
6. Vuelva a presionar la herramienta y compruebe si al accionar las teclas de disparo se oye un clic.

#### Resultado 1 / 3

La herramienta no se puede presionar del todo y no es posible realizar un disparo.

- ▶ Asegúrese de que el casquillo giratorio esté cerrado. Dado el caso, gire el casquillo giratorio hacia la izquierda hasta el tope.
- ▶ Compruebe la posición de la corredera. Si la corredera no se puede desplazar claramente hacia la izquierda, encargue la reparación de la herramienta al Servicio Técnico de **Hilti**.

### Resultado 2 / 3

La herramienta se puede presionar del todo (el muelle de la espiga de presión está totalmente comprimido); al accionar las teclas de disparo se oye clic.

La detección de clavos de la herramienta funciona sin fallos, la herramienta puede utilizarse.

### Resultado 3 / 3

La herramienta se puede presionar del todo (el muelle de la espiga de presión está totalmente comprimida), pero al accionar las teclas de disparo no se oye ningún clic.

- ▶ Encargue la reparación de la herramienta al Servicio Técnico de **Hilti**.

## 5.1.3 Carga de tiras de clavos 2

1. Introduzca las 4 tiras de clavos desde arriba en el cargador.

<b>Material</b>
Elementos de fijación X-ENP 19

2. Presione la última tira de clavos en el cargador hasta que quede enrasada con el tope.

## 5.1.4 Carga de tiras de cartuchos 3

1. Introduzca la tira de cartuchos desde arriba en el carril de entrada de cartuchos.

<b>Material</b>
Cartucho 6.8/18 M40 rojo, negro u otros cartuchos autorizados para la herramienta (véanse los cartuchos recomendados en el manual del elemento de fijación)

2. Presione la tira de cartuchos en el carril de entrada de cartuchos hasta que quede enrasada con el borde superior del carril de entrada de cartuchos.

## 5.1.5 Apertura del casquillo giratorio 4

- ▶ Gire el casquillo giratorio hasta el tope. Ayúdese del rascador u otro útil si es necesario.



### Indicación

De esta manera se facilita el acceso al trinquete en caso de que la fijadora de clavos se atasque.

## 5.1.6 Cierre del casquillo giratorio 5

- ▶ Gire el casquillo giratorio hasta el tope. Ayúdese del rascador u otro útil si es necesario.



### Indicación

Si el casquillo giratorio no está completamente cerrado, la fijadora de clavos no puede presionarse del todo y, por tanto, no está lista para funcionar.

## 5.2 Manejo

### 5.2.1 Colocación de los elementos de fijación 5



### PRECAUCIÓN

**Riesgo de lesiones** Si la herramienta está muy caliente (véase el indicador de funcionamiento), los cartuchos pueden prenderse por efecto del calor y pueden proyectarse fragmentos de cartucho.

- ▶ Retire inmediatamente los cartuchos de la herramienta cuando interrumpa el trabajo.
- ▶ Si los cartuchos no pueden extraerse de la herramienta, deposite la herramienta y asegúrese de que todas las personas se encuentren alejadas de ella a una distancia de seguridad mínima de 3 m hasta que la aguja del indicador de temperatura esté totalmente a la izquierda.

1. Presione la herramienta formando un ángulo recto respecto a la superficie de trabajo.

2. Accione las teclas de disparo situadas en la empuñadura.
  - ◄ El elemento de fijación se aplica.
  - ▼ La fijación no se puede disparar.
    - Compruebe si hay suficientes elementos en el cargador.



#### Indicación

Si hay menos de 15 elementos de fijación en el cargador, estos dejan de desplazarse. En ese caso debe llenarse el cargador con más tiras de clavos.

3. Coloque la herramienta en el lugar del próximo elemento de fijación y repita los pasos de trabajo descritos. Al hacerlo, observe la indicación de la pantalla. → página 35



#### Indicación

El saliente de los clavos debe comprobarse después de las primeras fijaciones al principio del trabajo y posteriormente a intervalos regulares con el propósito de ajustar correctamente la potencia de la herramienta y garantizar que las fijaciones se realizan correctamente.

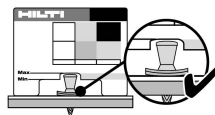
### 5.2.2 Comprobación del saliente de los clavos

1. Compruebe el saliente de los clavos con el calibre de comprobación.

#### Resultado 1 / 3

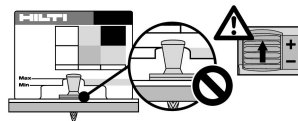
- El saliente del clavo se encuentra dentro del rango nominal.

La potencia de la herramienta está ajustada correctamente. Ha finalizado la comprobación.



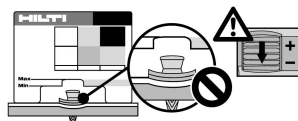
#### Resultado 2 / 3

- El saliente del clavo es muy alto.
- Aumente la potencia girando la rueda de regulación de potencia un nivel más alto.
- Si la rueda de regulación de potencia ya está en el tope más alto, utilice un tipo de cartucho más potente (si lo hay).



#### Resultado 3 / 3

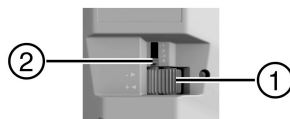
- El saliente del clavo es muy bajo.
- Reduzca la potencia girando la rueda de regulación de potencia un nivel más bajo.
- Si la rueda de regulación de potencia ya está en el tope más bajo, utilice un tipo de cartucho menos potente (si lo hay).



2. Coloque otro elemento.
3. Repita los pasos de trabajo descritos anteriormente hasta alcanzar el saliente de los clavos correcto.

### 5.2.3 Ajuste de la potencia

- Utilice la rueda de regulación de potencia para ajustar la potencia que desee.
  - ◄ Se muestra la potencia ajustada actualmente.



- ① Rueda para la regulación de potencia
- ② Indicación de la potencia ajustada

## 5.2.4 Extracción de los cartuchos de la herramienta 7

1. Presione la tira de cartuchos hacia adelante en la dirección de avance todo lo que pueda.
2. Tire de la tira de cartuchos y extráigala por el carril de salida de cartuchos.

## 5.2.5 Extracción de los elementos de fijación de la herramienta 8



### Indicación

Por lo general, los elementos de fijación pueden permanecer en la herramienta y no es necesario extraerlos al finalizar el trabajo, p. ej.

1. Asegúrese de que los cartuchos se han extraído de la herramienta antes. → página 40
2. Coloque la herramienta apoyada en la empuñadura.
3. Pulse el botón rojo situado en la entrada del cargador y deje que la tira de clavos se deslice y salga del cargador.
4. Si la tira de clavos no sobresale de la base, presione el tope y accione repetidamente la herramienta, hasta que la tira de clavos salga de la herramienta.
5. Extraiga la tira de clavos de la herramienta manteniendo el tope presionado.

## 6 Cuidado y mantenimiento

### 6.1 Comprobación y cambio (si procede) del pistón y el tope del pistón 9



### Indicación

Una fijación incorrecta puede ocasionar que el pistón se atasque en el tope. Si el pistón y el tope del pistón se quedan atascados, significa que se ha alcanzado el final de la vida útil de ambos componentes. En esta situación no se podrá disparar la herramienta.

La comprobación del pistón y del tope del pistón debe realizarse a intervalos regulares, como mínimo una vez al día.

1. Desmonte la base. → página 40
2. Retire el pistón de su guía.
3. Extraiga el tope del pistón (si fuera necesario, con la ayuda del mismo pistón) de la base.
4. Compruebe si el pistón o el tope presentan daños. Compruebe si el pistón presenta deformaciones haciéndolo rodar sobre una superficie lisa.



### Indicación

No utilice un pistón desgastado ni efectúe modificación alguna en el pistón.

Observe los criterios de desgaste de los componentes importantes de la herramienta en el capítulo Cuidado y mantenimiento. → página 42

### Resultado

Daño, pistón deformado y/o pistón y tope del pistón atascados

- ▶ Sustituya el pistón y el tope del pistón conjuntamente.
5. Tire del trinquete y manténgalo en esa posición. A continuación inserte el pistón hasta que la punta de este no sobresalga del borde de la herramienta y suelte el trinquete.
  6. Inserte el tope del pistón en la base observando que la posición sea correcta (goma hacia adelante).
  7. Monte la base. → página 41

### 6.2 Desmontaje de la base 10



### ADVERTENCIA

**Riesgo de lesiones** Los cartuchos colocados en la herramienta pueden prenderse.

- ▶ Asegúrese de haber extraído todos los cartuchos de la herramienta antes de realizar los siguientes trabajos en la herramienta.





## PELIGRO

**Riesgo de lesiones** Los componentes pueden estar muy calientes después de utilizar la herramienta.

- ▶ Utilice guantes de protección siempre que tenga que realizar trabajos de mantenimiento sin haber dejado que la herramienta se enfríe previamente.

1. Coloque la herramienta apoyada en la empuñadura.
2. Presione el botón de desbloqueo del cargador (botón rojo) situado en el cargador y deje que este último se deslice hacia abajo.
3. Gire la base en sentido antihorario hasta que la unión se haya soltado.
4. Separe la base.

### 6.3 Montaje de la base **11**

1. Asegúrese de que el tope del pistón se haya colocado correctamente en la base y que la guía del pistón y el pistón estén bien encajados en la herramienta.
2. Presione la base contra la rosca.
3. Gire la base en sentido horario hasta el tope.
4. Gire la base hacia atrás hasta la posición inicial por el cargador.
5. Deslice el cargador hacia atrás hasta que encaje en la base.

### 6.4 Limpieza de la fijadora de clavos **12**



## ADVERTENCIA

**Riesgo de lesiones** Los cartuchos colocados en la herramienta pueden prenderse.

- ▶ Asegúrese de haber extraído todos los cartuchos de la herramienta antes de realizar los siguientes trabajos en la herramienta.



## PELIGRO

**Riesgo de lesiones** Los componentes pueden estar muy calientes después de utilizar la herramienta.

- ▶ Utilice guantes de protección siempre que tenga que realizar trabajos de mantenimiento sin haber dejado que la herramienta se enfríe previamente.

1. Desmonte la base. → página 40
2. Tire del trinquete hacia fuera y manténgalo en esa posición. Tire del pistón para extraerlo de la guía del pistón y a continuación suelte el trinquete.
3. Saque el tope del pistón de la base. Si es necesario, apalanque el tope del pistón con el pistón para sacarlo de la base.
4. Tire del trinquete hacia fuera y manténgalo en esa posición. Tire de la guía del pistón hacia arriba para sacarlo de la herramienta y a continuación suelte el trinquete.
5. Limpie el interior de la herramienta. Seguidamente coloque la herramienta boca abajo y dele unos ligeros golpes para que caiga la suciedad.
6. Limpie las superficies de la guía del pistón (véase el área marcada) con el cepillo de alambre disponible como accesorio.
7. Con el cepillo redondo pequeño, limpie el alojamiento de los cartuchos y los orificios contiguos correspondientes a la espiga de regulación.
8. Limpie el carril del cartucho con el cepillo redondo fino.
9. Lubrique el elemento móvil de la guía de la tira de clavos con el spray **Hilti**.



## Indicación

Si utiliza otros productos lubricantes, las piezas de goma, especialmente el tope del pistón, pueden dañarse. Además, estos otros productos lubricantes pueden mezclarse con el polvo residual y formar acumulaciones.

10. Deslice la guía del pistón en la herramienta desde arriba hasta que el trinquete quede enclavado.
11. Tire del trinquete y manténgalo en esa posición. A continuación inserte el pistón hasta que la punta de este no sobresalga del borde de la herramienta y suelte el trinquete.
12. Inserte el tope del pistón en la base observando que la posición sea correcta (goma hacia adelante).
13. Monte la base. → página 41
14. Pulse la tecla de reinicio durante 1 segundo como mínimo para poner a cero el contador de fijaciones hasta la próxima limpieza.

**6.5 Criterios de desgaste de componentes importantes de la herramienta**



**Indicación**

Los daños en componentes que hacen claramente necesaria una sustitución, como p. ej. la rotura de piezas, no se especifican en las siguientes tablas.

**Criterios de desgaste del pistón y el tope del pistón**

Estado	Imagen de ejemplo	Nota
Nuevo		
Desgastado <b>Indicación</b> Sustituir el pistón y el tope del pistón siempre conjuntamente.		En el extremo del pistón se aprecian fragmentos de material desprendido.  El pistón se ha introducido 3 mm o más en el tope del pistón.

**Criterios de desgaste de la boca**

Estado	Imagen de ejemplo	Nota
Nuevo		
Desgastado Encargar la sustitución al Servicio Técnico de <b>Hilti</b>		El material está desprendido.

## 7 Localización de averías

### 7.1 Solución de una avería después de un fallo en el prendido o la ausencia de prendido

- ▶ Presione la herramienta contra la superficie de trabajo y apriete el gatillo.
  - ▽ El cartucho no se prende.
    - ▶ Retire la herramienta de la superficie de trabajo. No dirija la herramienta hacia sí mismo o hacia otra persona.
    - ▶ Pase al siguiente cartucho de la tira empujándola con la mano desde el carril de entrada de cartuchos o pase al siguiente cartucho de la tira tirando de ella con la mano desde el carril de salida de cartuchos.
    - ▶ Utilice los demás cartuchos de la tira. Quite la tira de cartuchos gastada y deséchela asegurándose de que no se vuelva a utilizar ni se vaya a usar de forma inapropiada.

### 7.2 Solución de una avería con la herramienta bloqueada



#### ADVERTENCIA

**Peligro de explosión** Si los cartuchos se manipulan de manera indebida, pueden prenderse.

- ▶ No intente sacar a la fuerza los cartuchos de la herramienta o de la tira de cartuchos.

1. Comprima la herramienta unos milímetros y abra el casquillo giratorio → página 38.
  - ◁ El trinquete queda accesible y permite abrir la herramienta.
2. Extraiga los cartuchos de la herramienta. → página 40
3. Compruebe el pistón y el tope del pistón y cámbielos si es necesario. → página 40
4. Limpie la fijadora de clavos. → página 41
5. Cierre el casquillo giratorio. → página 38

### 7.3 Ayuda en caso de averías


Si se producen averías que no están incluidas en esta tabla o que no puede solucionar usted, diríjase a nuestro Servicio Técnico de **Hilti**.

Anomalía	Posible causa	Solución
El cartucho no se desplaza	Tira de cartuchos dañada	▶ Cambie la tira de cartuchos. No intente extraer los cartuchos o la tira de cartuchos a la fuerza.
	La herramienta está dañada	▶ Póngase en contacto con el Servicio Técnico de <b>Hilti</b> .
La tira de cartuchos no puede extraerse	La herramienta está dañada	▶ Póngase en contacto con el Servicio Técnico de <b>Hilti</b> .
La herramienta no se enciende	Se ha producido un fallo en la ignición	▶ Repare la avería. → página 43
	La tira de cartuchos está vacía	▶ Retire la tira de cartuchos de la herramienta. ▶ Coloque una tira de cartuchos nueva.
	Menos de 15 elementos en la herramienta	▶ Recargue la herramienta con una tira de clavos nueva.
	Herramienta no presionada lo suficiente	▶ Vuelva a presionar la herramienta y a continuación repita la fijación.
	Los elementos no se desplazan	▶ Compruebe la movilidad de la tira de clavos. ▶ Extraiga la tira de clavos que esté defectuosa o que contenga elementos defectuosos.
	Herramienta muy sucia	▶ Limpie la herramienta.

Anomalia	Posible causa	Solución
La herramienta no se enciende	Los cartuchos no son adecuados	<ul style="list-style-type: none"> <li>▶ Póngase en contacto con el Servicio Técnico de <b>Hilti</b>.</li> <li>▶ No intente extraer los cartuchos o la tira de cartuchos a la fuerza.</li> </ul>
	La herramienta está dañada	▶ Póngase en contacto con el Servicio Técnico de <b>Hilti</b> .
El saliente del clavo es demasiado pequeño	Clavo fijado fuera del soporte	▶ Marque la posición del soporte y repita la fijación.
	Potencia demasiado alta	▶ Reduzca la potencia (regulación de potencia) o utilice cartuchos menos potentes (si los hay).
	El pistón está desgastado	▶ Cambie el pistón y el tope del pistón conjuntamente.
	Se ha colocado un pistón inadecuado	▶ Asegúrese de que ha utilizado la combinación correcta de pistón y elemento.
El saliente del clavo es demasiado grande	El elemento está muy cerca del borde del soporte	▶ Marque la posición del soporte y repita la fijación.
	Potencia demasiado baja	▶ Aumente la potencia (regulación de potencia) o utilice cartuchos más potentes (si los hay).
	Herramienta muy sucia	▶ Limpie la herramienta.
	El pistón está roto	▶ Cambie el pistón y el tope del pistón conjuntamente.
	La herramienta está dañada	▶ Póngase en contacto con el Servicio Técnico de <b>Hilti</b> .
Roturas por cizallamiento	Elemento fijado en el alma del soporte	▶ Marque la posición del alma del soporte y a continuación realice una nueva fijación.
	Aumento del grosor y/o la dureza de la superficie de trabajo	▶ Aumente la potencia (regulación de potencia) o utilice cartuchos más potentes (si los hay).
Los componentes de la herramienta no pueden extraerse	El pistón se atasca en el tope	▶ Gire el casquillo giratorio y cambie el pistón y el tope del pistón conjuntamente. → página 40
	Herramienta muy sucia	▶ Limpie la herramienta.
	La guía del pistón está muy sucia	▶ En caso necesario, gire el casquillo giratorio, desmonte la base → página 40 y limpie la guía del pistón → página 41.
No se ha fijado ningún clavo	Pistón no montado	▶ Monte el pistón en la herramienta.
	El pistón está roto	▶ Cambie el pistón y el tope del pistón conjuntamente.
	Guía clavos muy sucio	▶ Limpie la base y sus piezas adosadas con los cepillos previstos a tal fin.
	Elementos atascados en el guía clavos	<ul style="list-style-type: none"> <li>▶ Extraiga los elementos atascados.</li> <li>▶ Evite las roturas por cizallamiento. Evite realizar fijaciones fuera del soporte; en caso necesario, dibuje mejor la posición del soporte en próximas ocasiones.</li> </ul>

Anomalia	Posible causa	Solución
La base no se puede desenroscar completamente	Tope del pistón montado al revés	► Desenrosque la base, monte el tope del pistón correctamente y vuelva a enroscar la base.
	Guía del pistón situada detrás de la rosca de empalme sucia	► Limpie la guía del pistón. ► Lubrique la rosca de empalme.
La herramienta no se puede presionar completamente	El casquillo giratorio no está completamente cerrado	► Cierre el casquillo giratorio. → página 38
	El detector de clavos está bloqueado	► Limpie la base y retire todos los cuerpos extraños que pueda haber. Compruebe que la guía de la tira de clavos esté suficientemente lubricada con spray <b>Hilti</b> .
	Pieza rota de la detección de clavos	► Verifique que la detección de clavos funcione correctamente; para ello, compruebe que la herramienta esté lista para funcionar → página 37.

## 8 Reciclaje

Las herramientas  **Hilti** están fabricadas en su mayor parte con materiales reutilizables. La condición para dicha reutilización es una separación adecuada de los materiales. En muchos países, **Hilti** recoge las herramientas usadas para su recuperación. Pregunte en el Servicio de Atención al Cliente de **Hilti** o a su asesor de ventas.

## 9 Garantía del fabricante

- Si tiene alguna consulta acerca de las condiciones de la garantía, póngase en contacto con su sucursal local de **Hilti**.







Hilti Corporation

LI-9494 Schaan

Tel.: +423/234 21 11

Fax: +423/234 29 65

[www.hilti.com](http://www.hilti.com)

Hilti = registered trademark of Hilti Corp., Schaan



2154038

Pos. 3 | 20170612