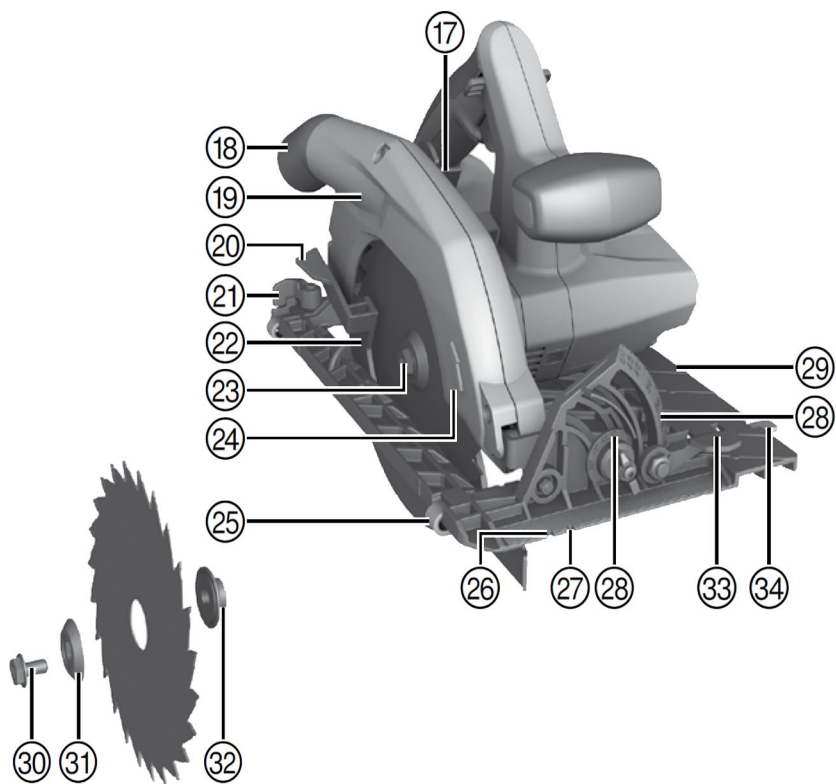
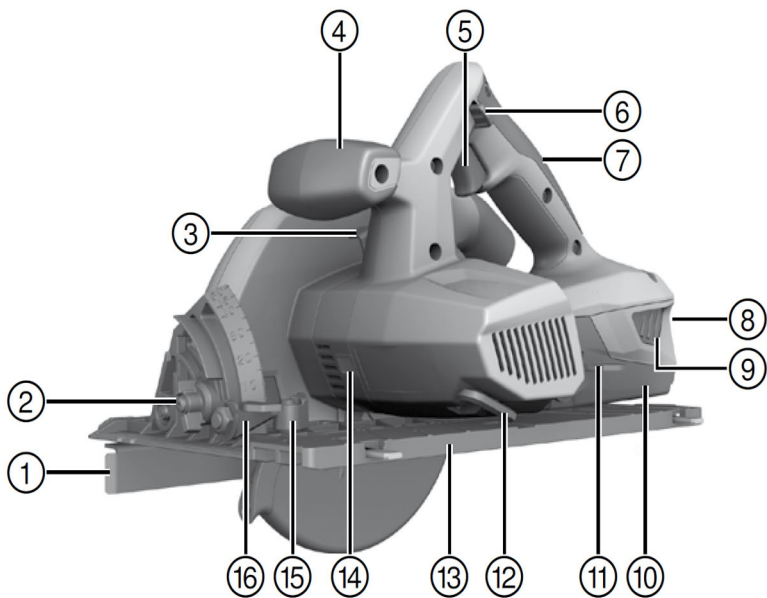


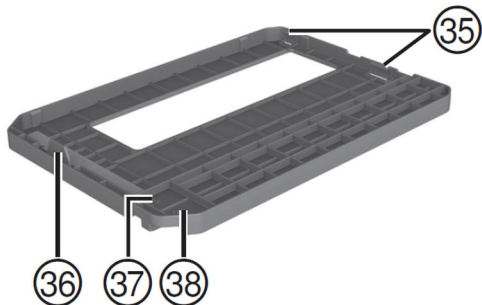


# SC 70W-A22

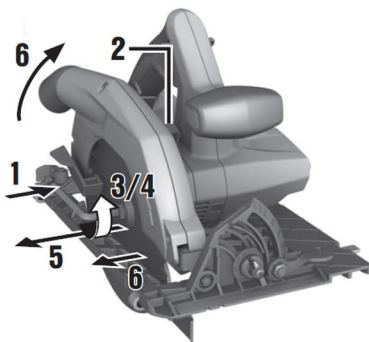
English	1
Español	15
Português	31
Dansk	47
Svenska	61
Norsk	76
Suomi	90
Magyar	104
Česky	119
Slovenčina	134
Türkçe	149
عربي	165
Latviešu	181
Lietuvių	196
Eesti	210
Қазақ	225
日本語	242
한국어	256
繁體中文	270
中文	282



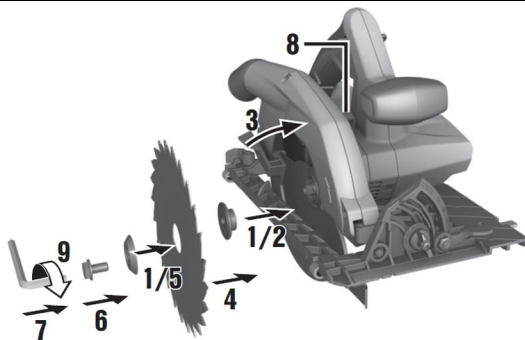
2



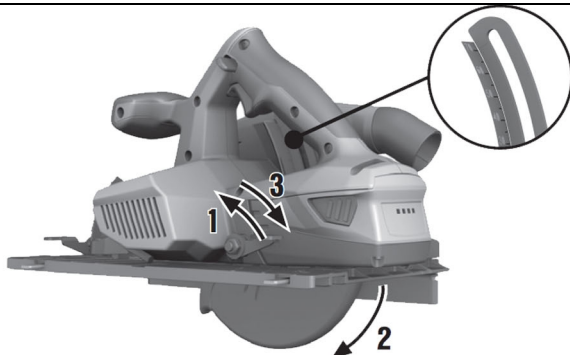
3



4



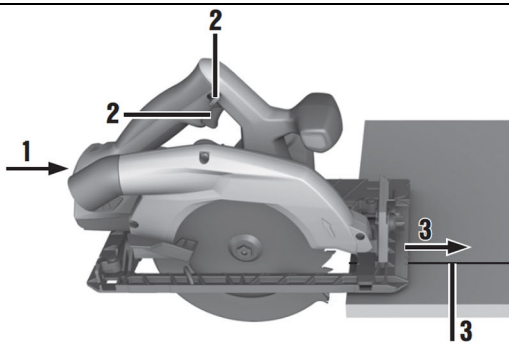
5



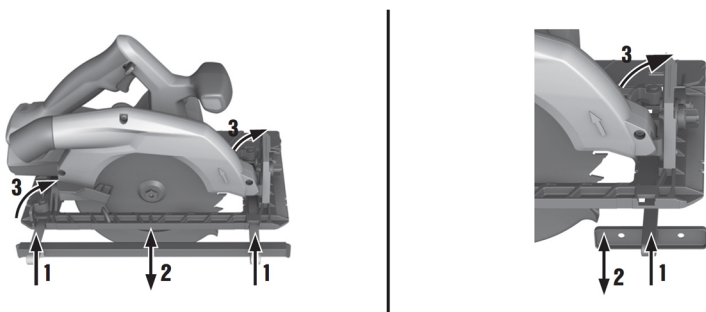
6



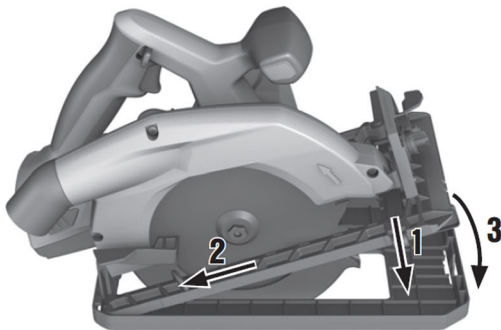
7



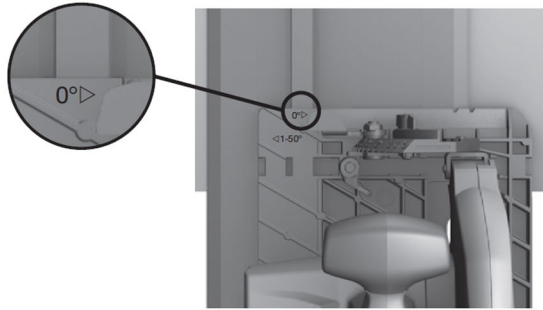
8



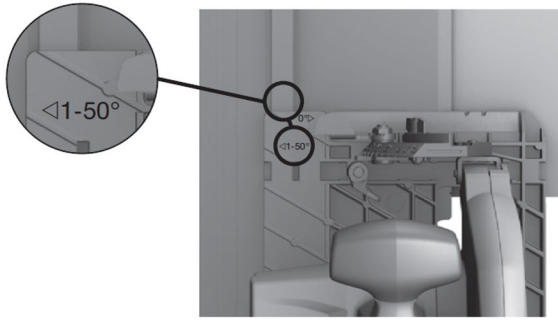
9



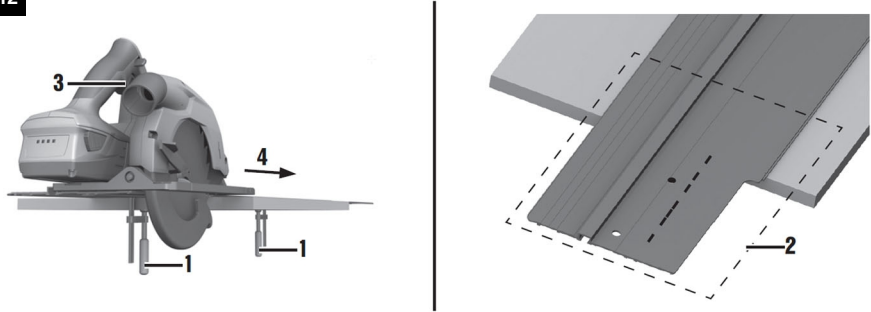
10



11



12



# SC 70W-A22

en	Original operating instructions	1
es	Manual de instrucciones original	15
pt	Manual de instruções original	31
da	Original brugsanvisning	47
sv	Originalbruksanvisning	61
no	Original bruksanvisning	76
fi	Alkuperäiset ohjeet	90
hu	Eredeti használati utasítás	104
cs	Originální návod k obsluze	119
sk	Originálny návod na obsluhu	134
tr	Orijinal kullanım kılavuzu	149
ar	دليل الاستعمال الأصلي	165
lv	Orģinālā lietošanas instrukcija	181
lt	Originali naudojimo instrukcija	196
et	Originaalkasutusjuhend	210
kk	Түпнұсқа пайдалану бойынша нұсқаулық	225
ja	オリジナル取扱説明書	242
ko	오리지널 사용 설명서	256
zh	原始操作說明	270
cn	原版操作说明	282

# Original operating instructions

## 1 Information about the operating instructions

### 1.1 About these operating instructions

- Read these operating instructions before the product is used or operated for the first time. This is a prerequisite for safe, trouble-free handling and use of the product.
- Observe the safety instructions and warnings in these operating instructions and on the product.
- Always keep the operating instructions with the product and make sure that the product is accompanied by these operating instructions only, when the product is given to other persons.

### 1.2 Explanation of symbols

#### 1.2.1 Warnings

Warnings alert persons to hazards that occur when handling or using the product. The following signal words are used:

#### **DANGER**

##### **DANGER !**

- ▶ Draws attention to imminent danger that will lead to serious personal injury or fatality.

#### **WARNING**

##### **WARNING !**

- ▶ Draws attention to a potential threat of danger that can lead to serious injury or fatality.






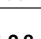
#### **CAUTION**

##### **CAUTION !**

- ▶ Draws attention to a potentially dangerous situation that could lead to personal injury or damage to the equipment or other property.




#### 1.2.2 Symbols in the operating instructions

The following symbols are used in these operating instructions:

	Comply with the operating instructions
	Instructions for use and other useful information
	Dealing with recyclable materials
	Do not dispose of electric equipment and batteries as household waste
	<b>Hilti</b> Li-ion battery
	<b>Hilti</b> charger

#### 1.2.3 Symbols in illustrations

The following symbols are used in illustrations:

	These numbers refer to the illustrations at the beginning of these operating instructions.
3	The numbers in illustrations refer to important work steps or to components important for the work steps. In the text, the corresponding numbers draw attention to these work steps or components, e.g. <b>(3)</b> .
	Item reference numbers are used in the <b>overview illustration</b> and refer to the numbers used in the key in the <b>product overview</b> section.
	This symbol is intended to draw your special attention to certain points for handling the product.



### 1.3 Product-dependent symbols

#### 1.3.1 Symbols

The following symbols can be used on the product:

	Rated speed under no load
	Direct current (DC)
RPM	Revolutions per minute
	Diameter
	Saw blade
	The product supports wireless data transmission compatible with iOS and Android platforms.
Li-Ion	Li-ion battery
	<b>Hilti</b> Li-ion battery type series used. Observe the information given in the section headed <b>Intended use</b> .
	Never use the battery as a striking tool.
	Do not drop the battery. Never use a battery that has suffered an impact or is damaged in any other way.

### 1.4 Product information

products are designed for professional users and only trained, authorized personnel are permitted to operate, service and maintain the products. This personnel must be specifically informed about the possible hazards. The product and its ancillary equipment can present hazards if used incorrectly by untrained personnel or if used not in accordance with the intended use.

The type designation and serial number are printed on the rating plate.

- ▶ Write down the serial number in the table below. You will be required to state the product details when contacting Hilti Service or your local Hilti organization to inquire about the product.

#### Product information

Circular saw	SC 70W-A22
Generation	01
Serial no.	

### 1.5 Declaration of conformity

We declare, on our sole responsibility, that the product described here complies with the applicable directives and standards. A copy of the declaration of conformity can be found at the end of this documentation.

The technical documentation is filed here:

Hilti Entwicklungsgesellschaft mbH | Tool Certification | Hiltistrasse 6 | 86916 Kaufering, Germany

## 2 Safety

### 2.1 General power tool safety warnings

**⚠ WARNING** Read all safety warnings, instructions, illustrations and specifications provided with this power tool. Failure to follow all instructions listed below may result in electric shock, fire and/or serious injury. **Save all warnings and instructions for future reference.**

The term "power tool" in the warnings refers to your mains-operated (corded) power tool or battery-operated (cordless) power tool.

#### Work area safety

- ▶ **Keep work area clean and well lit.** Cluttered or dark areas invite accidents.





- ▶ **Do not operate power tools in explosive atmospheres, such as in the presence of flammable liquids, gases or dust.** Power tools create sparks which may ignite the dust or fumes.
- ▶ **Keep children and bystanders away while operating a power tool.** Distractions can cause you to lose control.

#### Electrical safety

- ▶ **Power tool plugs must match the outlet. Never modify the plug in any way. Do not use any adapter plugs with earthed (grounded) power tools.** Unmodified plugs and matching outlets will reduce risk of electric shock.
- ▶ **Avoid body contact with earthed or grounded surfaces, such as pipes, radiators, ranges and refrigerators.** There is an increased risk of electric shock if your body is earthed or grounded.
- ▶ **Do not expose power tools to rain or wet conditions.** Water entering a power tool will increase the risk of electric shock.
- ▶ **Do not abuse the cord. Never use the cord for carrying, pulling or unplugging the power tool. Keep cord away from heat, oil, sharp edges or moving parts.** Damaged or entangled cords increase the risk of electric shock.
- ▶ **When operating a power tool outdoors, use an extension cord suitable for outdoor use.** Use of a cord suitable for outdoor use reduces the risk of electric shock.
- ▶ **If operating a power tool in a damp location is unavoidable, use a residual current device (RCD) protected supply.** Use of an RCD reduces the risk of electric shock.

#### Personal safety

- ▶ **Stay alert, watch what you are doing and use common sense when operating a power tool. Do not use a power tool while you are tired or under the influence of drugs, alcohol or medication.** A moment of inattention while operating power tools may result in serious personal injury.
- ▶ **Use personal protective equipment. Always wear eye protection.** Protective equipment such as a dust mask, non-skid safety shoes, hard hat or hearing protection used for appropriate conditions will reduce personal injuries.
- ▶ **Prevent unintentional starting. Ensure the switch is in the off-position before connecting to power source and/or battery pack, picking up or carrying the tool.** Carrying power tools with your finger on the switch or energising power tools that have the switch on invites accidents.
- ▶ **Remove any adjusting key or wrench before turning the power tool on.** A wrench or a key left attached to a rotating part of the power tool may result in personal injury.
- ▶ **Do not overreach. Keep proper footing and balance at all times.** This enables better control of the power tool in unexpected situations.
- ▶ **Dress properly. Do not wear loose clothing or jewellery. Keep your hair and clothing away from moving parts.** Loose clothes, jewellery or long hair can be caught in moving parts.
- ▶ **If devices are provided for the connection of dust extraction and collection facilities, ensure these are connected and properly used.** Use of dust collection can reduce dust-related hazards.
- ▶ **Do not let familiarity gained from frequent use of tools allow you to become complacent and ignore tool safety principles.** A careless action can cause severe injury within a fraction of a second.

#### Power tool use and care

- ▶ **Do not force the power tool. Use the correct power tool for your application.** The correct power tool will do the job better and safer at the rate for which it was designed.
- ▶ **Do not use the power tool if the switch does not turn it on and off.** Any power tool that cannot be controlled with the switch is dangerous and must be repaired.
- ▶ **Disconnect the plug from the power source and/or remove the battery pack, if detachable, from the power tool before making any adjustments, changing accessories, or storing power tools.** Such preventive safety measures reduce the risk of starting the power tool accidentally.
- ▶ **Store idle power tools out of the reach of children and do not allow persons unfamiliar with the power tool or these instructions to operate the power tool.** Power tools are dangerous in the hands of untrained users.
- ▶ **Maintain power tools and accessories. Check for misalignment or binding of moving parts, breakage of parts and any other condition that may affect the power tool's operation. If damaged, have the power tool repaired before use.** Many accidents are caused by poorly maintained power tools.
- ▶ **Keep cutting tools sharp and clean.** Properly maintained cutting tools with sharp cutting edges are less likely to bind and are easier to control.
- ▶ **Use the power tool, accessories and tool bits etc. in accordance with these instructions, taking into account the working conditions and the work to be performed.** Use of the power tool for operations different from those intended could result in a hazardous situation.



- ▶ **Keep handles and grasping surfaces dry, clean and free from oil and grease.** Slippery handles and grasping surfaces do not allow for safe handling and control of the tool in unexpected situations.

#### **Battery tool use and care**

- ▶ **Recharge only with the charger specified by the manufacturer.** A charger that is suitable for one type of battery pack may create a risk of fire when used with another battery pack.
- ▶ **Use power tools only with specifically designated battery packs.** Use of any other battery packs may create a risk of injury and fire.
- ▶ **When battery pack is not in use, keep it away from other metal objects, like paper clips, coins, keys, nails, screws or other small metal objects, that can make a connection from one terminal to another.** Shorting the battery terminals together may cause burns or a fire.
- ▶ **Under abusive conditions, liquid may be ejected from the battery; avoid contact. If contact accidentally occurs, flush with water. If liquid contacts eyes, additionally seek medical help.** Liquid ejected from the battery may cause irritation or burns.
- ▶ **Do not use a battery pack or tool that is damaged or modified.** Damaged or modified batteries may exhibit unpredictable behaviour resulting in fire, explosion or risk of injury.
- ▶ **Do not expose a battery pack or tool to fire or excessive temperature.** Exposure to fire or temperature above 130° C (265 °F) may cause explosion.
- ▶ **Follow all charging instructions and do not charge the battery pack or tool outside the temperature range specified in the instructions.** Charging improperly or at temperatures outside the specified range may damage the battery and increase the risk of fire.

#### **Service**

- ▶ **Have your power tool serviced by a qualified repair person using only identical replacement parts.** This will ensure that the safety of the power tool is maintained.
- ▶ **Never service damaged battery packs.** Service of battery packs should only be performed by the manufacturer or authorized service providers.

## **2.2 Safety instructions for all saws**

### **Cutting procedures**

- ▶ **⚠ DANGER: Keep hands away from cutting area and the blade. Keep your second hand on auxiliary handle, or motor housing.** If both hands are holding the saw, they cannot be cut by the blade.
- ▶ **Do not reach underneath the workpiece.** The guard cannot protect you from the blade below the workpiece.
- ▶ **Adjust the cutting depth to the thickness of the workpiece.** Less than a full tooth of the blade teeth should be visible below the workpiece.
- ▶ **Never hold the workpiece in your hands or across your leg while cutting. Secure the workpiece to a stable platform.** It is important to support the work properly to minimise body exposure, blade binding, or loss of control.
- ▶ **Hold the power tool by insulated gripping surfaces, when performing an operation where the cutting tool may contact hidden wiring.** Contact with a "live" wire will also make exposed metal parts of the power tool "live" and could give the operator an electric shock.
- ▶ **When ripping, always use a rip fence or straight edge guide.** This improves the accuracy of cut and reduces the chance of blade binding.
- ▶ **Always use blades with correct size and shape (diamond versus round) of arbour holes.** Blades that do not match the mounting hardware of the saw will run off-centre, causing loss of control.
- ▶ **Never use damaged or incorrect blade washers or bolt.** The blade washers and bolt were specially designed for your saw, for optimum performance and safety of operation.

### **Kickback causes and related warnings**

- kickback is a sudden reaction to a pinched, jammed or misaligned saw blade, causing an uncontrolled saw to lift up and out of the workpiece toward the operator;
- when the blade is pinched or jammed tightly by the kerf closing down, the blade stalls and the motor reaction drives the unit rapidly back toward the operator;
- if the blade becomes twisted or misaligned in the cut, the teeth at the back edge of the blade can dig into the top surface of the wood causing the blade to climb out of the kerf and jump back toward the operator.

Kickback is the result of saw misuse and/or incorrect operating procedures or conditions and can be avoided by taking proper precautions as given below.

- ▶ **Maintain a firm grip with both hands on the saw and position your arms to resist kickback forces. Position your body to either side of the blade, but not in line with the blade.** Kickback could cause



the saw to jump backwards, but kickback forces can be controlled by the operator, if proper precautions are taken.

- ▶ **When blade is binding, or when interrupting a cut for any reason, release the trigger and hold the saw motionless in the material until the blade comes to a complete stop. Never attempt to remove the saw from the work or pull the saw backward while the blade is in motion or kickback may occur.** Investigate and take corrective actions to eliminate the cause of blade binding.
- ▶ **When restarting a saw in the workpiece, centre the saw blade in the kerf so that the saw teeth are not engaged into the material.** If a saw blade binds, it may walk up or kickback from the workpiece as the saw is restarted.
- ▶ **Support large panels to minimise the risk of blade pinching and kickback.** Large panels tend to sag under their own weight. Supports must be placed under the panel on both sides, near the line of cut and near the edge of the panel.
- ▶ **Do not use dull or damaged blades.** Unsharpened or improperly set blades produce narrow kerf causing excessive friction, blade binding and kickback.
- ▶ **Blade depth and bevel adjusting locking levers must be tight and secure before making the cut.** If blade adjustment shifts while cutting, it may cause binding and kickback.
- ▶ **Use extra caution when sawing into existing walls or other blind areas.** The protruding blade may cut objects that can cause kickback.

## 2.3 Additional safety instructions

### Personal safety

- ▶ **Modification of the power tool is not permitted.**
- ▶ **Always hold the machine with both hands on the grips provided. Keep the grips dry, clean and free from oil and grease.**
- ▶ **Wear ear protectors.** Exposure to noise can cause hearing loss.
- ▶ **Respiratory protection must be worn if the power tool is used without a dust removal system for work that creates dust.**
- ▶ **Operate the tool only together with the safety devices that belong to it.**
- ▶ **Improve the blood circulation in your fingers by relaxing your hands and exercising your fingers during breaks between working.**
- ▶ **The power tool is not intended for use by inexperienced persons who have received no special training.**
- ▶ **Keep the power tool out of reach of children.**
- ▶ **Do not switch the product on before it is at the workplace.**
- ▶ **Remove the battery before storing or transporting the power tool.**
- ▶ **Do not work overhead with the product.**
- ▶ **Do not attempt to brake the product by applying lateral pressure to the saw blade.**
- ▶ **The kerf must be free of obstructions. Do not saw into screws and nails etc.**
- ▶ **Do not touch the clamping flange or the clamping screw while the power tool is running.**
- ▶ **Never press the drive spindle lock button while the saw blade is rotating.**
- ▶ **Never direct the power tool toward persons.**
- ▶ **Adjust the pressure applied to the saw blade and the material being cut so that the blade does not stall, possibly causing kickback.**
- ▶ **Avoid overheating the tips of the saw blade teeth.**
- ▶ **When cutting plastic, melting of the plastic should be avoided.**
- ▶ **Dust from materials, such as paint containing lead, some wood species, concrete / masonry / stone containing silica, and minerals as well as metal, may be harmful. Contact with or inhalation of the dust may cause allergic reactions and/or respiratory or other diseases to the operator or bystanders. Certain kinds of dust are classified as carcinogenic such as oak and beech dust, especially in conjunction with additives for wood conditioning (chromate, wood preservative). Material containing asbestos may be handled only by specialists. Use a dust removal system whenever possible. To achieve a high level of dust collection, use a suitable vacuum cleaner. When indicated, wear a respirator appropriate for the type of dust generated. Ensure that the workplace is well ventilated. Follow national requirements for the materials you want to work with.**
- ▶ **Before beginning the work, check the hazard classification of the dust that will be produced. Use an industrial vacuum cleaner with an officially approved protection classification in compliance with locally applicable dust protection regulations.**
- ▶ **Observe the national health and safety requirements.**



**Electrical safety**

- ▶ **Before beginning work, check the working area (e.g. using a metal detector) to ensure that no concealed electric cables or gas and water pipes are present.** External metal parts of the power tool may become live, for example, when an electric cable is damaged accidentally. This presents a serious risk of electric shock.

**Careful handling and use of batteries**

- ▶ **Observe the special guidelines applicable to the transport, storage and use of lithium-ion batteries.**
- ▶ **Do not expose batteries to high temperatures and keep them away from fire.** There is a risk of explosion.
- ▶ **Do not disassemble, crush or incinerate batteries and do not subject them to temperatures over 80°C (176°F).** This presents a risk of fire, explosion or injury through contact with caustic substances.
- ▶ **Never continue to use or attempt to charge damaged batteries, e.g. batteries with cracks, broken parts, bent or pushed-in / pulled-out contacts).**
- ▶ **Do not use the battery as a power source for other unspecified power tools or appliances.**
- ▶ If the battery is too hot to touch it may be defective. **In this case, place the power tool in a non-flammable location, well away from flammable materials, where the battery can be kept under observation and allowed to cool down. Contact Hilti Service after the battery has cooled down.**

**2.4 Additional safety instructions for circular saws**

- ▶ Bring the saw blade into contact with the workpiece only when the circular saw is switched on.
  - ▶ The path of the saw must be free of obstructions above and below the workpiece. Do not saw into screws, nails or similar objects.
- ▶ Never work overhead with a circular saw.
- ▶ Never attempt to brake the saw blade by applying lateral pressure.
- ▶ Avoid overheating the tips of the saw blade teeth.
- ▶ Always use a saw blade that is suitable for the material you are going to saw.
- ▶ Use only saw blades recommended by Hilti that comply with the EN 847-1 standard.

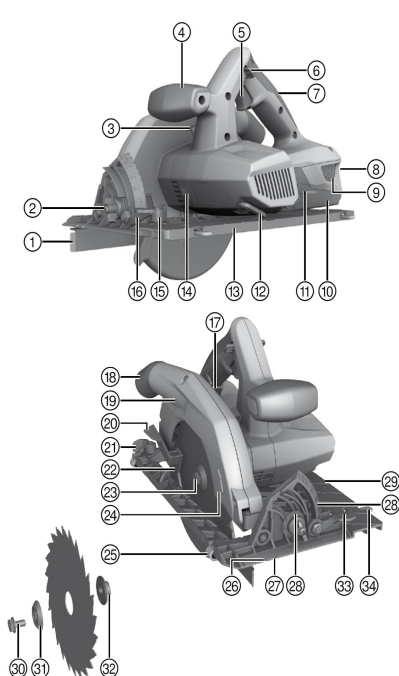
**2.5 Careful handling and use of batteries**

- ▶ Observe the special guidelines applicable to the transport, storage and use of lithium-ion batteries.
- ▶ Do not expose batteries to high temperatures, direct sunlight or fire.
- ▶ Do not disassemble, crush or incinerate batteries and do not subject them to temperatures over 80 °C (176 °F).
- ▶ Do not use or charge batteries that have suffered mechanical impact, have been dropped from a height or show signs of damage. In this case, always contact your **Hilti Service**.
- ▶ If the battery is too hot to touch it may be defective. Put the battery in a place where it is clearly visible and where there is no risk of fire, at an adequate distance from flammable materials. Allow the battery to cool down. If it is still too hot to touch after an hour, the battery is faulty. Contact **Hilti Service**.



### 3 Description

#### 3.1 Product overview



- ① Single-arm parallel guide
- ② Cutting angle presets (22.5°, 45°, 50°)
- ③ Spindle lock button
- ④ Auxiliary grip
- ⑤ On/off switch
- ⑥ Switch-on interlock
- ⑦ Grip
- ⑧ Charge-status and fault indicator (Li-ion battery)
- ⑨ Release buttons (also used to activate the charge status indicator)
- ⑩ Battery
- ⑪ Clamping lever for cutting depth adjustment
- ⑫ Hex key
- ⑬ Small base plate
- ⑭ LED illumination
- ⑮ Front clamping lever for the parallel guide
- ⑯ Clamping lever for cutting angle adjustment
- ⑰ Cutting depth scale
- ⑱ Hose connector (chip deflector)
- ⑲ Guard
- ⑳ Pivoting guard operating lever
- ㉑ Rear clamping lever for the parallel guide (only with large base plate)
- ㉒ Pivoting guard
- ㉓ Arbor
- ㉔ Direction-of-rotation arrow
- ㉕ Twin-arm parallel guide
- ㉖ 0° cutting line indicator
- ㉗ 45° cutting line indicator
- ㉘ Cutting angle scale
- ㉙ Large base plate
- ㉚ Clamping screw
- ㉛ Clamping flange
- ㉜ Mounting flange
- ㉝ 0° indicator on the base plate
- ㉞ 1°- 50° indicator on the base plate

#### 3.2 Guide rail adapter

- ⑳ Rear retaining lug
- ㉑ Front retaining lug
- ㉒ 0° indicator
- ㉓ 1°- 50° indicator

#### 3.3 Intended use

The product described is a cordless circular saw. It is designed for sawing wood or wood-like materials, plastics, drywall panel, gypsum fiber board and composite materials.

The circular saw is equipped with a removable connector for an optional vacuum cleaner / dust removal hose. This connector is designed to fit standard suction hoses. In order to connect the vacuum cleaner hose to the saw, use of a suitable adapter may be necessary.

- The use of saw blades not in compliance with the stated specifications (e.g. diameter, speed of rotation, thickness) or the use of cut-off and grinding wheels or saw blades made from highly alloyed high speed steel (HSS) is not permissible. Sawing metals is not permissible.




- ▶ Do not use the product to cut tree branches or trunks.
- ▶ Use only **Hilti** Li-ion batteries of the B 22 series with this product.
- ▶ Use only **Hilti** battery chargers of the C4/36 series for charging these batteries.

### 3.4 Li-ion battery display

The charge status of the Li-ion battery and malfunctions of the power tool are indicated by the display on the Li-ion battery. The charge status of the Li-ion battery is displayed after pressing one of the two battery release buttons.

Status	Meaning
4 LEDs light.	Charge status: 75 % to 100 %
3 LEDs light.	Charge status: 50 % to 75 %
2 LEDs light.	Charge status: 25 % to 50 %
1 LED lights.	Charge status: 10 % to 25 %
1 LED blinks, the power tool is ready for use.	Charge status: < 10 %
1 LED blinks, the power tool is not ready for use.	The battery has overheated or is completely discharged.
4 LEDs blink, the power tool is not ready for use.	The power tool is overloaded or has overheated.

 Battery charge status cannot be displayed while the control switch is pressed and for up to 5 seconds after releasing the control switch.  
If the battery display LEDs blink, please observe the instructions given in the Troubleshooting section.

### 3.5 Parallel guide

The single-arm parallel guide can be used to make accurate cuts along the edge of a workpiece or to rip strips of equal width.

The parallel guide can be fitted on either side of the base plate.

### 3.6 Items supplied

Circular saw, saw blade, hex key, parallel guide, vacuum cleaner hose connector, operating instructions (optional: guide rail adapter)

 Spare parts, consumables and accessories approved by Hilti for use with the product can be found at your local **Hilti Store** or online at: [www.hilti.group](http://www.hilti.group).

### 3.7 Accessories

Clamping flange, mounting flange, clamping screw.

## 4 Technical data

### 4.1 Circular saw

	SC 70W-A22
<b>Rated voltage</b>	21.6 V
<b>Weight in accordance with EPTA procedure 01</b>	4.8 kg
<b>Specified blade diameter</b>	190 mm
<b>Saw blade disc thickness</b>	0.7 mm ... 1.5 mm
<b>Kerf width</b>	1.5 mm ... 2 mm
<b>Saw blade arbor size</b>	30 mm
<b>Rated speed under no load</b>	3,500 /min
<b>Maximum cutting depth at 0°</b>	70 mm
<b>Maximum cutting depth at 45°</b>	51 mm
<b>Maximum cutting depth at 50°</b>	45 mm



	<b>SC 70W-A22</b>
<b>Bevel cutting angle</b>	0° ... 50°
<b>Operating temperature</b>	-10 °C ... 50 °C
<b>Storage temperature range (without battery)</b>	-30 °C ... 70 °C

## 4.2 Battery

<b>Battery operating voltage</b>	21.6 V
<b>Ambient temperature for operation</b>	-17 °C ... 60 °C
<b>Storage temperature</b>	-20 °C ... 40 °C
<b>Battery charging starting temperature</b>	-10 °C ... 45 °C

## 4.3 Noise information and vibration values determined in accordance with EN 62841

The sound pressure and vibration values given in these instructions have been measured in accordance with a standardized test and may be used to compare one power tool with another. They may be used for a preliminary assessment of exposure. The data given represents the main applications of the power tool. However, if the power tool is used for different applications, with different accessory tools, or is poorly maintained, the data may vary. This may significantly increase exposure over the total working period. An accurate estimation of exposure should also take into account the times when the power tool is switched off, or when it is running but not actually being used for a job. This may significantly reduce exposure over the total working period. Identify additional safety measures to protect the operator from the effects of noise and/or vibration, for example: maintain the tool and the accessories, keep the hands warm, organization of work patterns.

### Noise emission values determined in accordance with EN 62841

	<b>SC 70W-A22</b>
<b>Sound power level (<math>L_{WA}</math>)</b>	103 dB(A)
<b>Uncertainty for the sound power level (<math>K_{WA}</math>)</b>	3 dB(A)
<b>Sound pressure level (<math>L_{pA}</math>)</b>	92 dB(A)
<b>Uncertainty for the sound pressure level (<math>K_{pA}</math>)</b>	3 dB(A)

### Total vibration (vector sum of three directions), determined in accordance with EN 62841

	<b>SC 70W-A22</b>
<b>Vibration emission value for sawing in wood (<math>A_{h, w}</math>)</b>	0.93 m/s <sup>2</sup>
<b>Uncertainty (K)</b>	1.5 m/s <sup>2</sup>

## 5 Operation

### 5.1 Preparations at the workplace

#### 5.1.1 Charging the battery

1. Before charging the battery, read the operating instructions for the charger.
2. Make sure that the contacts on the battery and the contacts on the charger are clean and dry.
3. Use an approved charger to charge the battery. 7

#### 5.1.2 Inserting the battery



### WARNING

#### Risk of injury by short circuit or falling battery!

- ▶ Before inserting the battery, make sure that the contacts on the battery and the contacts on the product are free of foreign matter.
- ▶ Make sure that the battery always engages correctly.

1. Charge the battery fully before using it for the first time.
2. Push the battery into the product until it engages with an audible click.
3. Check that the battery is seated securely.



### 5.1.3 Removing the battery

1. Press the battery release buttons.
2. Remove the battery from the tool.

### 5.1.4 Removing the saw blade 3

 **WARNING**

**Risk of burns and cut injuries at saw blade, clamping screw and clamping flange** The consequences can be burns and cut injuries.

- ▶ Wear protective gloves when changing saw blades.

1. Remove the battery.
2. Insert the hex key into the saw blade clamping screw.
3. Press the spindle lockbutton and hold it in this position.
4. Turn the saw blade clamping screw with the hex key until the spindle lock button engages fully.
5. Release the clamping screw by turning the hex key in the direction of the direction-of-rotation arrow.
6. Remove the clamping screw from the outer clamping flange.
7. Open the pivoting guard by swinging it to the side and then remove the saw blade.



If necessary, the mounting flange can be removed for cleaning.

### 5.1.5 Fitting the saw blade 4

 **CAUTION**

**Risk of damage!** Unsuitable or incorrectly fitted saw blades may damage the saw.

- ▶ Only use blades which are suitable for this saw. Observe the direction-of-rotation arrow on the saw blade.
- ▶ Use only saw blades equipped with a rated maximum permissible speed that is at least as high as the maximum speed stated on the product.



**Check that the blade to be fitted complies with the technical requirements and that it is well sharpened.** A sharp saw blade is an essential requirement for a perfect cut.

1. Remove the battery.
2. Clean the mounting flange and the clamping flange.
3. Fit the mounting flange onto the arbor the right way round.
4. Open the pivoting guard.
5. Fit the new saw blade.
6. Install the outer clamping flange the right way round.
7. Insert the clamping screw.
8. Insert the hex key into the saw blade clamping screw.
9. Press the arbor lock button.
10. Secure the clamping flange with the clamping screw by turning the hex key in the direction opposite to the direction-of-rotation arrow.
  - ▶ The spindle lock button engages.
11. Before using the power tool, check that the saw blade is correctly seated and tightened securely.

### 5.1.6 Adjusting the cutting depth 5

1. Remove the battery.
2. Release the cutting depth adjustment clamping lever.
3. Lift the product in a scissor movement and set the desired cutting depth by closing the clamping lever.



The cutting depth should always be set to a depth approx. 5 to 10 mm greater than the thickness of the material to be cut.

The depth setting can be read from the scale and pointer at the rear of the blade guard.





### 5.1.7 Setting the miter cut angle

1. Remove the battery.
2. Release the cutting angle adjustment clamping lever.
3. Pivot the product into the desired position.



The cutting angle preset makes it easy to set the maximum angle (22.5°, 45°, 50°)

4. Tighten the cutting angle adjustment clamping lever.

### 5.1.8 Sawing along a line



At the front edge of the base plate of the circular saw is a line indicator for straight cuts and miter cuts (0° and 45°). This permits accurate cutting at the desired miter angle. The edge of the line indicator corresponds to the inside of the saw blade. There is a cutting line indicator at the opening for the saw blade at the front end of the base plate.



Secure the workpiece to prevent movement.

Position the workpiece so that the saw blade is free to rotate beneath it.

Check to ensure that the on/off switch on the power tool is in the “off” position.

Position the forward section of the saw’s base plate on the workpiece but do not bring the blade into contact with the workpiece.

1. Insert the battery.
2. Press and hold down the switch-on interlock and switch the product on by pressing the on/off button.
3. Guide the product along the cutting line on the workpiece at a suitable speed.

### 5.1.9 Installing / adjusting the parallel guide

1. Remove the battery.
2. Screw the clamping screw into the base plate, leaving enough space to slide the parallel guide through.
3. Slide the parallel guide under the clamping screw.
4. Set the parallel guide to the correct width for the cut.
5. Tighten the clamping screw.



The parallel guide (single-arm/twin-arm) can be fitted on either side of the base plate. The twin-arm parallel guide can be used only with the large base plate

The parallel guide can be used to make accurate cuts along the edge of a workpiece or to rip strips of equal width.

### 5.1.10 Fitting the guide rail adapter



The saw can be equipped with a guide rail adapter which is available as an accessory.

When using saws with a small base plate, please use a guide rail adapter that fits the guide rail.

1. Remove the battery.
2. Remove the parallel guide, if fitted.
3. Fit the base plate into the side retaining channels of the guide rail adapter.
4. Fully insert the base plate into the guide rail adapter.
5. Lock the guide rail adapter by pressing in the two sliders as far as they will go.

## 5.2 Work

### 5.2.1 Switching on

- ▶ Press and hold down the switch-on interlock and switch the product on by pressing the on/off button.

### 5.2.2 Switching off

- ▶ Release the on/off switch to stop the machine.



### 5.2.3 Longitudinal cuts at 0° **10**

1. Place the circular saw on the guide rail with the groove marked "0°" on the rib on the rail.
2. Press and hold down the switch-on interlock and switch the product on by pressing the on/off button.
3. Guide the product along the rail and through the workpiece at a suitable speed.

### 5.2.4 Longitudinal cuts at angles up to 50° **11**

1. Set the angle.

#### **WARNING**

**Risk of collision when making bevel cuts!** Collision between saw blade and guide rail.

- ▶ Set the saw on the guide rail with the correct groove engaging the rib of the rail. The saw blade will otherwise collide with the guide rail.
- 
2. Place the saw on the guide rail with the groove marked "1° - 50°" on the rib of the rail.
  3. Press and hold down the switch-on interlock and switch the product on by pressing the on/off button.
  4. Guide the product along the rail and through the workpiece at a suitable speed.

### 5.2.5 Making cuts at an angle across the surface of the workpiece **12**

1. Position the guide rail with the zero mark at the edge of the workpiece and then pivot the rail until the desired angle shown on the angle scale is opposite the zero mark. The cutting angle indicated is the angle of deviation from a straight, right-angled cut.
2. Secure the guide rail with the two screw clamps.
3. Place the circular saw on the guide rail with the groove marked "0°" on the rib on the rail.
4. Press and hold down the switch-on interlock and switch the product on by pressing the on/off button.
5. Guide the product along the rail and through the workpiece at a suitable speed.

### 5.2.6 Using the saw without a dust and chip removal system

1. Check that the sawdust is ejected without obstruction.
2. If required, the hose connector can be removed from the blade guard by slackening the hex socket screw with the hex key supplied with the product.

## 6 Care and maintenance

---

#### **WARNING**

**Risk of injury with battery inserted !**

- ▶ Always remove the battery before carrying out care and maintenance tasks!
- 

#### **Care of the product**

- Carefully remove stubborn dirt.
- Carefully clean the air vents, if present, with a dry, soft brush.
- Use only a slightly damp cloth to clean the housing. Do not use cleaning agents containing silicone as these can attack the plastic parts.
- Use a dry, clean cloth to clean the contacts of the product.

#### **Care of the Li-ion batteries**

- Never use a battery with clogged air vents. Clean the air vents carefully using a dry, soft brush.
- Avoid unnecessary exposure of the battery to dust and dirt. Never expose the battery to high levels of moisture (e.g. by being dipped in water or left in the rain).  
If a battery has been soaked by moisture, treat it as a damaged battery. Isolate it in a non-flammable container and consult **Hilti Service**.
- Keep the battery free of extraneous oil and grease. Do not permit dust or dirt to accumulate unnecessarily on the battery. Clean the battery with a dry, soft brush or a clean, dry cloth. Do not use cleaning agents containing silicone as these can attack the plastic parts.  
Do not touch the contacts of the battery and do not remove the factory-applied grease from the contacts.
- Use only a slightly damp cloth to clean the housing. Do not use cleaning agents containing silicone as these can attack the plastic parts.



## Maintenance

### WARNING

**Danger of electric shock!** Improper repairs to electrical components may lead to serious injuries including burns.

- ▶ Repairs to the electrical section of the tool or appliance may be carried out only by trained electrical specialists.
- 
- Check all visible parts and controls for signs of damage at regular intervals and make sure that they all function correctly.
  - Do not use the product if signs of damage are found or if parts malfunction. Immediately have the product repaired by **Hilti Service**.
  - After cleaning and maintenance, install all guards and protective devices and check that they are in full working order.

To help ensure safe and reliable operation, use only genuine Hilti spare parts, consumables and accessories. Spare parts, consumables and accessories approved by **Hilti** for use with your product can be found at your **Hilti Store** or online at: [www.hilti.group](http://www.hilti.group)

### 6.1 Cleaning the safety guard

1. Remove the saw blade before cleaning the safety guard parts.
2. Clean the safety guard parts carefully with a dry brush.
3. Use a suitable tool to remove deposits or cuttings from the inside surfaces of the safety guard parts.
4. Fit the saw blade.

### 6.2 Procedure if the chip / dust channel is blocked

1. Remove the battery.
2. Clean the chip / dust channel.

Remove the saw blade if necessary. 10

3. Check for misalignment or binding of moving parts, breakage of parts and any other condition that may affect operation of the product.

### 6.3 Checks after cleaning and maintenance

After cleaning or maintenance, check that all safety devices are fitted and that they function faultlessly.

- ▶ To check the pivoting guard, open the guard fully by moving the guard operating lever.
  - ▶ The pivoting guard must close quickly and completely when the guard operating lever is released.

## 7 Transport and storage

### Transport of cordless power tools and batteries

#### CAUTION

**Accidental starting during transport !**

- ▶ Always transport your products with the batteries removed!
- 
- ▶ Remove the battery/batteries.
  - ▶ Never transport batteries loose and unprotected. During transport, batteries should be protected from excessive shock and vibration and isolated from any conductive materials or other batteries that may come in contact with the terminals and cause a short circuit. **Comply with the locally applicable regulations for transporting batteries.**
  - ▶ Do not send batteries through the mail. Consult your shipper for instructions on how to ship undamaged batteries.
  - ▶ Prior to each use and before and after prolonged transport, check the product and the batteries for damage.



## Storage of cordless power tools and batteries



### WARNING

#### Accidental damage caused by defective or leaking batteries !

- ▶ Always store your products with the batteries removed!
- 
- ▶ Store the product and the batteries in a cool and dry place. Comply with the temperature limits stated in the technical data.
  - ▶ Do not store batteries on the charger. Always remove the battery from the charger when the charging operation has completed.
  - ▶ Never leave batteries in direct sunlight, on sources of heat, or behind glass.
  - ▶ Store the product and batteries where they cannot be accessed by children or unauthorized persons.
  - ▶ Prior to each use and before and after prolonged storage, check the product and the batteries for damage.

## 8 Troubleshooting

- ▶ If the trouble you are experiencing is not listed in this table or you are unable to remedy the problem by yourself, please contact **Hilti** Service.

### 8.1 The circular saw is not in working order

Malfunction	Possible cause	Action to be taken
The LEDs do not light.	The battery is not fully inserted.	▶ Insert the battery.
	Battery is discharged.	▶ Charge the battery.
	The battery is too hot or too cold.	▶ Bring the battery to the correct ambient temperature.
1 LED flashes.	Battery is discharged.	▶ Charge the battery.
	The battery is too hot or too cold.	▶ Bring the battery to the correct ambient temperature.
4 LEDs flash.	The circular saw was overloaded briefly.	▶ Release the on/off switch and then press it again.
	The overheating prevention cut-out has been activated.	▶ Allow the circular saw to cool down and clean the air vents.

### 8.2 The circular saw is in working order

Trouble or fault	Possible cause	Action to be taken
The on/off button cannot be pressed, i.e. the button is locked.	Not a fault (safety function).	▶ Press the switch-on interlock.
Running speed suddenly drops considerably.	Battery is discharged.	▶ Charge the battery.
	Saw advance pressure is too high.	▶ Reduce advance pressure and switch the power tool back on.
Chips / cuttings are not transported into the chip collector and thus fall onto the base plate.	The chip collector is full.	▶ Empty the chip collector.
	The chip ejector channel is blocked.	▶ Clean the ejector. 13
The saw blade stalls.	Saw advance pressure is too high.	▶ Reduce advance pressure and switch the power tool back on.
The battery runs down more quickly than usual.	Battery condition is not optimal.	▶ Replace the battery.
The battery does not engage with an audible "double click".	The retaining lugs on the battery are dirty.	▶ Clean the retaining lugs and push the battery in until it engages. Contact <b>Hilti</b> Service if the problem persists.



Trouble or fault	Possible cause	Action to be taken
The circular saw or battery gets very hot.	Electrical fault.	► Switch off the circular saw immediately. Remove the battery and keep it under observation. Allow the battery to cool down. Contact <b>Hilti</b> service.
	The product is overloaded (application limits exceeded).	► Select a tool that is suitable for its intended use.
Saw vibrates severely	The saw blade is installed incorrectly	► Install the saw blade correctly. 10

## 9 Disposal

### WARNING

**Risk of injury due to incorrect disposal!** Health hazards due to escaping gases or liquids.

- DO NOT send batteries through the mail!
- Cover the terminals with a non-conductive material (such as electrical tape) to prevent short circuiting.
- Dispose of your battery out of the reach of children.
- Dispose of the battery at your **Hilti Store**, or consult your local governmental garbage disposal or public health and safety resources for disposal instructions.

Most of the materials from which **Hilti** products are manufactured can be recycled. The materials must be correctly separated before they can be recycled. In many countries, your old tools, machines or appliances can be returned to **Hilti** for recycling. Ask **Hilti** Service or your Hilti sales representative for further information.



- Do not dispose of power tools, electronic equipment or batteries as household waste!

## 10 RoHS (Restriction of Hazardous Substances)

Click on the link to go to the table of hazardous substances: [qr.hilti.com/r2937785](http://qr.hilti.com/r2937785).

There is a link to the RoHS table, in the form of a QR code, at the end of this document.

## 11 Manufacturer's warranty

- Please contact your local **Hilti** representative if you have questions about the warranty conditions.

# Manual de instrucciones original

## 1 Información sobre el manual de instrucciones

### 1.1 Acerca de este manual de instrucciones

- Lea detenidamente este manual de instrucciones antes de la puesta en servicio. Ello es imprescindible para un trabajo seguro y un manejo sin problemas.
- Observe las indicaciones y advertencias de seguridad en este manual de instrucciones y en el producto.
- Conserve este manual de instrucciones siempre junto con el producto y entregue el producto a otras personas siempre acompañado de este manual de instrucciones.

### 1.2 Explicación de símbolos

#### 1.2.1 Avisos

Las advertencias de seguridad advierten de peligros derivados del manejo del producto. Se utilizan las siguientes palabras de peligro:



**⚠ PELIGRO**

**PELIGRO !**

► Término utilizado para un peligro inminente que puede ocasionar lesiones graves o incluso la muerte.

**⚠ ADVERTENCIA**

**ADVERTENCIA !**

► Término utilizado para un posible peligro que puede ocasionar lesiones graves o incluso la muerte.

**⚠ PRECAUCIÓN**

**PRECAUCIÓN !**

► Término utilizado para una posible situación peligrosa que puede ocasionar lesiones o daños materiales.

**1.2.2 Símbolos en el manual de instrucciones**

En este manual de instrucciones se utilizan los siguientes símbolos:

	Consulte el manual de instrucciones
	Indicaciones de uso y demás información de interés
	Manejo con materiales reutilizables
	No tire las herramientas eléctricas y las baterías junto con los desperdicios domésticos
	<b>Hilti</b> Batería de Ion-Litio
	<b>Hilti</b> Cargador

**1.2.3 Símbolos en las figuras**

En las figuras se utilizan los siguientes símbolos:

<b>2</b>	Estos números hacen referencia a la figura correspondiente incluida al principio de este manual de instrucciones.
3	La numeración en las figuras hace referencia a pasos de trabajo importantes o componentes importantes para los pasos de trabajo. Estos pasos de trabajo o componentes se resaltan en el texto mediante los correspondientes números, p. ej., <b>(3)</b> .
<b>11</b>	En la figura <b>Vista general</b> se utilizan números de posición y los números de la leyenda están explicados en el apartado <b>Vista general del producto</b> .
	Preste especial atención a este símbolo cuando utilice el producto.

**1.3 Símbolos de productos**

**1.3.1 Símbolos**

En el producto se pueden utilizar los siguientes símbolos:

$n_0$	Número de referencia de revoluciones en vacío
==	Corriente continua
RPM	Revoluciones por minuto
$\varnothing$	Diámetro
	Hoja de sierra
	El producto permite la transferencia de datos inalámbrica, compatible con plataformas iOS y Android.



Li-Ion	Batería de Ion-Litio
	Serie utilizada de baterías de Ion-Litio <b>Hilti</b> . Consulte las indicaciones recogidas en el capítulo <b>Uso conforme a las prescripciones</b> .
	Nunca utilice la batería como herramienta de percusión.
	No deje que la batería se caiga. No utilice baterías que hayan recibido algún golpe ni que estén dañadas de alguna otra forma.

#### 1.4 Información del producto

Los productos **HILTI** han sido diseñados para usuarios profesionales y solo personal autorizado y debidamente formado puede utilizarlos y llevar a cabo su mantenimiento y conservación. Este personal debe estar especialmente instruido en lo referente a los riesgos de uso. La utilización del producto y sus dispositivos auxiliares puede conllevar riesgos para el usuario en caso de manejarse de forma inadecuada por personal no cualificado o utilizarse para usos diferentes a los que están destinados.

La denominación del modelo y el número de serie están indicados en la placa de identificación.

- ▶ Escriba el número de serie en la siguiente tabla. Necesitará los datos del producto para realizar consultas a nuestros representantes o al Departamento de Servicio Técnico.

##### Datos del producto

Sierra circular	SC 70W-A22
Generación	01
N.º de serie	

#### 1.5 Declaración de conformidad

Bajo nuestra exclusiva responsabilidad, declaramos que el producto aquí descrito cumple con las directivas y normas vigentes. Encontrará una reproducción de la declaración de conformidad al final de esta documentación.

La documentación técnica se encuentra depositada aquí:

Hilti Entwicklungsgesellschaft mbH | Zulassung Geräte | Hiltistraße 6 | 86916 Kaufering, DE

## 2 Seguridad

### 2.1 Indicaciones generales de seguridad para herramientas eléctricas

**⚠ ADVERTENCIA** Lea con atención todas las indicaciones de seguridad, instrucciones, ilustraciones y datos técnicos correspondientes a esta herramienta eléctrica. La negligencia en el cumplimiento de las instrucciones que se describen a continuación podría provocar descargas eléctricas, incendios o lesiones graves.

**Conservar todas las instrucciones e indicaciones de seguridad para futuras consultas.**

El término «herramienta eléctrica» empleado en las indicaciones de seguridad se refiere a herramientas eléctricas portátiles, ya sea con cable de red o sin cable, en caso de ser accionadas por batería.

#### Seguridad en el puesto de trabajo

- ▶ **Mantenga su área de trabajo limpia y bien iluminada.** El desorden o una iluminación deficiente de las zonas de trabajo pueden provocar accidentes.
- ▶ **No utilice la herramienta eléctrica en un entorno con peligro de explosión en el que se encuentren líquidos, gases o polvos inflamables.** Las herramientas eléctricas producen chispas que pueden llegar a inflamar los materiales en polvo o vapores.
- ▶ **Mantenga alejados a los niños y otras personas de su puesto de trabajo al emplear la herramienta eléctrica.** Una distracción le puede hacer perder el control sobre la herramienta.

#### Seguridad eléctrica

- ▶ **El enchufe de la herramienta eléctrica debe corresponder a la toma de corriente utilizada. No se deberá modificar el enchufe en forma alguna. No utilice enchufes adaptadores para las herramientas eléctricas con puesta a tierra.** Los enchufes sin modificar adecuados a las respectivas tomas de corriente reducen el riesgo de descarga eléctrica.
- ▶ **Evite el contacto corporal con superficies que tengan puesta a tierra, como pueden ser tubos, calefacciones, cocinas y frigoríficos.** El riesgo a quedar expuesto a una sacudida eléctrica es mayor si su cuerpo tiene contacto con tierra.



- ▶ **No exponga las herramientas eléctricas a la lluvia y evite que penetren líquidos en su interior.** El riesgo de recibir descargas eléctricas aumenta si penetra agua en la herramienta eléctrica.
- ▶ **No utilice el cable de conexión para transportar o colgar la herramienta eléctrica ni tire de él para extraer el enchufe de la toma de corriente. Mantenga el cable de conexión alejado de fuentes de calor, aceite, aristas afiladas o piezas móviles.** Los cables de conexión dañados o enredados pueden provocar descargas eléctricas.
- ▶ **Cuando trabaje al aire libre con una herramienta eléctrica, utilice exclusivamente un alargador adecuado para exteriores.** La utilización de un alargador adecuado para su uso en exteriores evita el riesgo de una descarga eléctrica.
- ▶ **Cuando no pueda evitarse el uso de la herramienta eléctrica en un entorno húmedo, utilice un interruptor de corriente de defecto.** La utilización de un interruptor de corriente de defecto evita el riesgo de una descarga eléctrica.

### Seguridad de las personas

- ▶ **Permanezca atento, preste atención durante el trabajo y utilice la herramienta eléctrica con prudencia. No utilice una herramienta eléctrica si está cansado, ni tampoco después de haber consumido alcohol, drogas o medicamentos.** Un momento de descuido al utilizar la herramienta eléctrica podría producir graves lesiones.
- ▶ **Utilice el equipo de seguridad personal adecuado y lleve siempre gafas protectoras.** El riesgo de lesiones se reduce considerablemente si, según el tipo y la aplicación de la herramienta eléctrica empleada, se utiliza un equipo de seguridad personal adecuado como una mascarilla antipolvo, zapatos de seguridad con suela antideslizante, casco de protección o protección para los oídos.
- ▶ **Evite una puesta en servicio fortuita de la herramienta. Asegúrese de que la herramienta eléctrica está apagada antes de alzarla, transportarla, conectarla a la toma de corriente o insertar la batería.** Si transporta la herramienta eléctrica sujetándola por el interruptor de conexión/desconexión o si introduce el enchufe en la toma de corriente con la herramienta conectada, podría producirse un accidente.
- ▶ **Retire las herramientas de ajuste o llaves fijas antes de conectar la herramienta eléctrica.** Una herramienta o llave colocada en una pieza giratoria puede producir lesiones al ponerse en funcionamiento.
- ▶ **Evite adoptar posturas forzadas. Procure que la postura sea estable y manténgase siempre en equilibrio.** De esta forma podrá controlar mejor la herramienta eléctrica en caso de presentarse una situación inesperada.
- ▶ **Utilice ropa adecuada. No utilice vestimenta amplia ni joyas. Mantenga su pelo, vestimenta y guantes alejados de las piezas móviles.** La vestimenta suelta, las joyas y el pelo largo se pueden enganchar con las piezas en movimiento.
- ▶ **Siempre que sea posible montar equipos de aspiración o captación de polvo, asegúrese de que están conectados y de que se utilizan correctamente.** El uso de un sistema de aspiración de polvo reduce los riesgos derivados del polvo.
- ▶ **No se crea a salvo de cualquier riesgo ni pase por alto ninguna de las normas de seguridad relativas a las herramientas eléctricas, aun cuando esté familiarizado con la herramienta eléctrica y tenga larga experiencia en su uso.** Una actuación negligente puede provocar lesiones graves en cuestión de segundos.

### Uso y manejo de la herramienta eléctrica

- ▶ **No sobrecargue la herramienta. Utilice la herramienta eléctrica adecuada para el trabajo que se dispone a realizar.** Con la herramienta eléctrica apropiada podrá trabajar mejor y de modo más seguro dentro del margen de potencia indicado.
- ▶ **No utilice herramientas eléctricas con el interruptor defectuoso.** Las herramientas eléctricas que no se puedan conectar o desconectar son peligrosas y deben repararse.
- ▶ **Extraiga el enchufe de la toma de corriente o retire la batería extraíble antes de efectuar cualquier ajuste en la herramienta, cambiar accesorios o en caso de no utilizar la herramienta durante un tiempo prolongado.** Esta medida preventiva evita el riesgo de arranque accidental de la herramienta eléctrica.
- ▶ **Guarde las herramientas eléctricas que no utilice fuera del alcance de los niños. No permita utilizar la herramienta a ninguna persona que no esté familiarizada con ella o que no haya leído este manual de instrucciones.** Las herramientas eléctricas utilizadas por personas inexpertas son peligrosas.
- ▶ **Cuide su herramienta eléctrica y los accesorios adecuadamente. Compruebe si las piezas móviles de la herramienta funcionan correctamente y sin atascarse, y si existen piezas rotas o deterioradas que pudieran afectar al funcionamiento de la herramienta eléctrica. Encargue la reparación de las piezas defectuosas antes de usar la herramienta eléctrica.** Muchos accidentes son consecuencia de un mantenimiento inadecuado de la herramienta eléctrica.





- ▶ **Mantenga los útiles limpios y afilados.** Las herramientas de corte bien cuidadas y con aristas afiladas se atascan menos y se guían con más facilidad.
- ▶ **Utilice la herramienta eléctrica, los accesorios, útiles de inserción, etc., de acuerdo con estas instrucciones. Para ello, tenga en cuenta las condiciones de trabajo y la tarea que se va a realizar.** El uso de herramientas eléctricas para trabajos diferentes de aquellos para los que han sido concebidas puede resultar peligroso.
- ▶ **Mantenga las empuñaduras y las superficies de contacto secas, limpias y sin residuos de aceite o grasa.** Las empuñaduras y superficies de contacto resbaladizas impiden manejar y controlar la herramienta eléctrica con seguridad en situaciones imprevistas.

#### Uso y manejo de la herramienta de batería

- ▶ **Cargue las baterías únicamente con los cargadores recomendados por el fabricante.** Existe riesgo de incendio al intentar cargar baterías de un tipo diferente al previsto para el cargador.
- ▶ **Utilice únicamente las baterías previstas para la herramienta eléctrica.** El uso de otro tipo de baterías puede provocar daños e incluso incendios.
- ▶ **Si no utiliza la batería, guárdela separada de clips, monedas, llaves, clavos, tornillos y demás objetos metálicos que pudieran poner sus contactos.** El cortocircuito de los contactos de la batería puede causar quemaduras o incendios.
- ▶ **La utilización inadecuada de la batería puede provocar fugas de líquido. Evite el contacto con este líquido. En caso de contacto accidental, enjuague el área afectada con abundante agua. En caso de contacto con los ojos, acuda además inmediatamente a un médico.** El líquido de la batería puede irritar la piel o producir quemaduras.
- ▶ **No utilice baterías dañadas o modificadas.** Una batería dañada o modificada puede tener un comportamiento imprevisible y provocar incendios, explosiones o riesgo de lesiones.
- ▶ **No exponga la batería al fuego o a temperaturas muy elevadas.** El fuego o las temperaturas superiores a 130 °C (265 °F) pueden provocar una explosión.
- ▶ **Siga todas las instrucciones relativas a la carga y no cargue nunca la batería o la herramienta de batería excediendo el rango de temperatura indicado en el manual de instrucciones.** Una carga incorrecta o fuera del rango de temperatura permitido puede destruir la batería y aumentar el riesgo de incendio.

#### Servicio Técnico

- ▶ **Solicite que un profesional lleve a cabo la reparación de su herramienta eléctrica y que utilice exclusivamente piezas de repuesto originales.** Solamente así se garantiza la seguridad de la herramienta.
- ▶ **No realice nunca el mantenimiento de baterías dañadas.** Cualquier mantenimiento de las baterías debe llevarlo a cabo el fabricante o un centro del Servicio de Atención al Cliente autorizado.

## 2.2 Indicaciones de seguridad para cualquier sierra

### Método de serrado

- ▶ **⚠ PELIGRO: Mantenga las manos alejadas del área de corte y de la hoja de sierra. Sujete la empuñadura adicional o la carcasa del motor con la otra mano.** Si sujeta la sierra con ambas manos, no correrá peligro de lesionarse con la hoja de sierra.
- ▶ **No toque la parte inferior de la pieza de trabajo.** La caperuza protectora no le protege del contacto con la hoja de sierra en la parte inferior de la pieza de trabajo.
- ▶ **Adapte la profundidad de corte al grosor de la pieza de trabajo.** La hoja de sierra no debe sobresalir más de un diente de la pieza de trabajo.
- ▶ **No sujete nunca la pieza de trabajo con la mano o sobre sus piernas. Fije la pieza de trabajo sobre una superficie estable.** Una buena sujeción de la pieza de trabajo es muy importante para reducir el riesgo de atasco de la hoja de sierra o de pérdida de control sobre la herramienta.
- ▶ **Sujete la herramienta eléctrica únicamente por las empuñaduras aisladas cuando realice trabajos en los que la herramienta puede entrar en contacto con cables eléctricos ocultos.** El contacto con cables eléctricos puede activar también las partes metálicas de la herramienta eléctrica y provocar descargas eléctricas.
- ▶ **Utilice siempre un tope o una guía para ángulos rectos al realizar cortes longitudinales.** De este modo se incrementa la exactitud del corte y se reduce el riesgo de atasco de la hoja de sierra.
- ▶ **Utilice siempre hojas de sierra con las dimensiones correctas y el orificio adecuado (p. ej., en forma de estrella o redondo).** Las hojas de sierra que no encajan perfectamente con los componentes de montaje de la sierra giran de forma excéntrica y pueden hacerle perder el control sobre la herramienta.



- ▶ **No utilice nunca arandelas o tornillos de sujeción dañados o inapropiados para la hoja de sierra.** Las arandelas y los tornillos de sujeción de la hoja de sierra han sido especialmente diseñados para ofrecer el mayor número de prestaciones y la máxima seguridad de trabajo.

#### **Descripción de las causas del rebote e indicaciones de seguridad correspondientes**

- El rebote es una fuerza de reacción brusca que sucede al engancharse, atascarse o guiar incorrectamente la hoja de sierra, lo cual provoca que la sierra se salga de forma incontrolada de la pieza de trabajo y resulte impulsada hacia el usuario.
- Si la hoja de sierra se engancha o se atasca al cerrarse la ranura de corte, la hoja de sierra se bloquea y el motor impulsa la sierra en dirección al usuario.
- Si la hoja de sierra se gira lateralmente o se desalinea, los dientes de la parte posterior de la hoja de sierra pueden engancharse en la cara superior de la pieza de trabajo haciendo que la hoja de sierra se salga de la ranura de corte y que la herramienta salga despedida hacia atrás en dirección al usuario.

El rebote se debe a la utilización inadecuada o a procedimientos o condiciones de trabajo. Puede evitarse cumpliendo las medidas de seguridad pertinentes que se describen a continuación.

- ▶ **Sujete la sierra firmemente con ambas manos manteniendo los brazos en una posición que le permita hacer frente a las fuerzas de rebote. Mantenga la hoja de sierra a un lado y no la coloque en línea con su cuerpo.** Si la sierra circular retrocede bruscamente al rebotar, el usuario podrá controlar dicha fuerza de rebote siempre que haya tomado las precauciones adecuadas.
- ▶ **Si la hoja de sierra se atasca o el trabajo se interrumpe, desconecte la sierra y espere hasta que la hoja de sierra se detenga. Nunca intente extraer la sierra de la pieza de trabajo ni tirar de ella hacia atrás mientras la hoja de sierra esté en funcionamiento, ya que de lo contrario puede rebotar.** Detecte las causas que provocan que la hoja de sierra se atasque y corríjalas.
- ▶ **Para continuar el trabajo con la sierra insertada en la pieza de trabajo, centre la hoja de sierra en la ranura y compruebe que los dientes no estén enganchados en la pieza de trabajo.** Si la hoja de sierra está atascada puede llegar a salirse de la pieza de trabajo o provocar un rebote al ponerla de nuevo en marcha.
- ▶ **Apoye las placas grandes para evitar el riesgo de rebote a causa del atasco de la hoja de sierra.** Las placas grandes pueden doblarse por su propio peso. Las placas deben estar sujetadas a ambos lados, tanto cerca de la ranura de la sierra como del borde.
- ▶ **No utilice hojas de sierra desafiladas o dañadas.** Las hojas de sierra con dientes desafilados o desalineados provocan una fricción excesiva, atasco o rebote de la hoja de sierra a causa de una ranura de corte demasiado estrecha.
- ▶ **Antes de empezar a serrar, ajuste los dispositivos de profundidad y el ángulo de corte.** Si durante el trabajo de serrado se modifica la configuración, la hoja de sierra puede atascarse y originar un rebote.
- ▶ **Preste especial atención al serrar en paredes o en áreas ocultas.** Durante el proceso de serrado, la hoja de sierra puede quedar bloqueada en objetos ocultos y provocar un rebote.

### **2.3 Indicaciones de seguridad adicionales**

#### **Seguridad de las personas**

- ▶ **No está permitido efectuar manipulaciones o modificaciones en la herramienta.**
- ▶ **Sujete siempre la herramienta con ambas manos por las empuñaduras previstas. Mantenga las empuñaduras secas, limpias y sin residuos de aceite o grasa.**
- ▶ **Utilice protección para los oídos.** El ruido constante puede reducir la capacidad auditiva.
- ▶ **Si la herramienta se utiliza sin un sistema de aspiración de polvo, debe emplearse una mascarilla ligera al realizar trabajos que generen polvo.**
- ▶ **Utilice la herramienta siempre con los dispositivos de seguridad correspondientes.**
- ▶ **Efectúe pausas durante el trabajo, así como ejercicios de relajación y estiramiento de los dedos para mejorar la circulación de estos.**
- ▶ **La herramienta no es adecuada para personas con poca fuerza a las que no se haya instruido.**
- ▶ **Mantenga la herramienta fuera del alcance de los niños.**
- ▶ **Conecte el producto una vez que se encuentre en la zona de trabajo.**
- ▶ **Extraiga la batería cuando la herramienta se vaya a almacenar o transportar.**
- ▶ **No trabaje con el producto por encima de la cabeza.**
- ▶ **No reduzca la velocidad del producto presionando lateralmente contra la hoja de sierra.**
- ▶ **El recorrido de corte debe estar libre de obstáculos. No sierre tornillos, clavos, etc.**
- ▶ **No toque la brida de apriete ni el tornillo de apriete con la herramienta en funcionamiento.**
- ▶ **Nunca pulse el botón de bloqueo del husillo hasta que la hoja de sierra se haya detenido.**
- ▶ **No trabaje con la herramienta orientada hacia ninguna persona.**



- ▶ **Adapte la potencia de avance a la hoja de sierra determinada y al material utilizado de forma que la hoja de sierra no quede bloqueada y no provoque ningún rebote.**
- ▶ **Evite que se sobrecalienten las puntas de los dientes de la sierra.**
- ▶ **Al serrar materiales de plástico debe procurarse que el plástico no se funda.**
- ▶ El polvo procedente de materiales como pinturas con plomo, determinadas maderas, hormigón/mampostería/rocas con cuarzo, así como minerales y metal puede ser nocivo para la salud. El contacto con el polvo o su inhalación puede provocar reacciones alérgicas o asfixia al usuario o a personas que se encuentren en su entorno. Existen determinados tipos de polvo, como puede ser el de roble o el de haya, catalogados como cancerígenos, especialmente si se encuentra mezclado con aditivos usados en el tratamiento de la madera (cromato, agente protector para la madera). Únicamente expertos cualificados están autorizados a manipular materiales que contengan asbesto. **Utilice siempre que sea posible un aspirador de polvo. Para lograr un alto grado de aspiración del polvo, utilice un aspirador de polvo portátil apropiado. Utilice una mascarilla adecuada para cada clase de polvo. Procure una buena ventilación del lugar de trabajo. Respete la normativa vigente en su país concerniente al procesamiento de los materiales de trabajo.**
- ▶ **Antes de iniciar el trabajo, consulte la clase de peligros derivados del polvo resultante del trabajo. Utilice un aspirador de obra con una clasificación de protección homologada conforme a las normas locales sobre la protección contra el polvo.**
- ▶ **Respete la normativa nacional en materia de protección laboral.**

#### Seguridad eléctrica

- ▶ **Compruebe antes de empezar a trabajar si la zona de trabajo oculta cables eléctricos, tuberías de gas o cañerías de agua, por ejemplo, con un detector de metales.** Las partes metálicas exteriores de la herramienta pueden pasar a conducir electricidad si, por ejemplo, se ha dañado por error un cable eléctrico. Dichas partes suponen un peligro serio por el riesgo de una descarga eléctrica.

#### Manipulación y utilización segura de las baterías

- ▶ **Tenga en cuenta las directivas especiales en materia de transporte, almacenamiento y manejo de las baterías de Ion-Litio.**
- ▶ **Mantenga las baterías alejadas de altas temperaturas y fuego.** Existe peligro de explosión.
- ▶ **Las baterías no se deben destruir, comprimir, calentar por encima de 80 °C (176 °F) o quemar.** En caso contrario existe peligro de abrasión, incendio y explosión.
- ▶ **Las baterías dañadas (p. ej., baterías con grietas, piezas rotas o contactos doblados, metidos hacia dentro o extraídos) no deben cargarse ni seguir utilizándose.**
- ▶ **No utilice las baterías como fuente de energía para otros consumidores no especificados.**
- ▶ Si al tocar la batería detecta que está muy caliente, puede deberse a una avería en la misma. **Coloque la herramienta en un lugar no inflamable y alejado de materiales inflamables donde pueda vigilarse la batería, y deje que se enfríe. Póngase en contacto con el Servicio Técnico de Hilti una vez que la batería se haya enfriado.**

### 2.4 Indicaciones de seguridad adicionales para sierras circulares

- ▶ Desplace la sierra circular manual sobre la pieza de trabajo solo cuando esté conectada.
  - ▶ El recorrido de corte debe estar libre de obstáculos por arriba y por abajo. No sierre tornillos, clavos u objetos similares.
- ▶ No trabaje nunca con una sierra circular por encima de la cabeza.
- ▶ No frene nunca la hoja de sierra ejerciendo presión lateral sobre la hoja de sierra.
- ▶ Evite que se sobrecalienten las puntas de los dientes de la sierra.
- ▶ Utilice siempre la hoja de sierra correspondiente para la superficie de trabajo que deba cortar.
- ▶ Utilice únicamente hojas de sierra recomendadas por Hilti que cumplan la norma EN 847-1.

### 2.5 Manipulación y utilización segura de las baterías

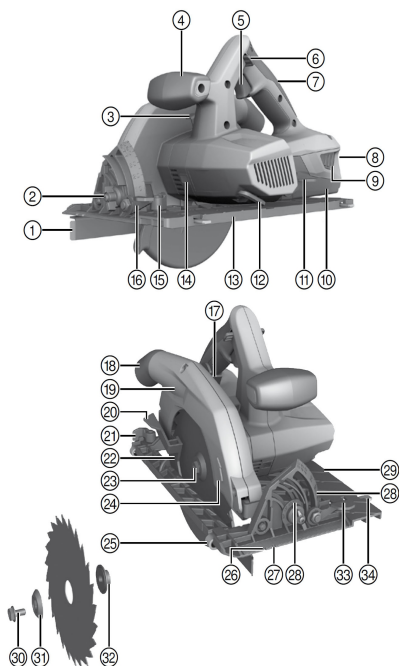
- ▶ Tenga en cuenta las directivas especiales en materia de transporte, almacenamiento y manejo de las baterías de Ion-Litio.
- ▶ Mantenga las baterías alejadas de altas temperaturas, radiación solar directa y fuego.
- ▶ Las baterías no se deben destruir, comprimir, calentar por encima de 80 °C (176 °F) o quemar.
- ▶ No utilice ni cargue baterías que hayan recibido algún golpe, que hayan caído desde una altura superior a un metro o que estén dañadas de alguna otra forma. En este caso, póngase siempre en contacto con el **Hilti Servicio Técnico**.
- ▶ Si al tocar la batería detecta que está muy caliente, puede deberse a una avería en la misma. Coloque la batería en un lugar visible, no inflamable, a suficiente distancia de otros materiales inflamables. Deje



que la batería se enfríe. Si, después de una hora, la herramienta sigue estando demasiado caliente para tocarla significa que está averiada. Póngase en contacto con el **Servicio Técnico de Hilti**.

### 3 Descripción

#### 3.1 Vista general del producto 1



- ① Tope paralelo de un brazo
- ② Ajuste previo del ángulo de corte (22,5°, 45°, 50°)
- ③ Botón de bloqueo del husillo
- ④ Empuñadura adicional
- ⑤ Interruptor de conexión y desconexión
- ⑥ Bloqueo de conexión
- ⑦ Empuñadura
- ⑧ Indicador del estado de carga y de averías (batería de Ion-Litio)
- ⑨ Teclas de desbloqueo con función adicional de activación del indicador del estado de carga
- ⑩ Batería
- ⑪ Palanca de apriete para el ajuste de la profundidad de corte
- ⑫ Llave de hexágono interior
- ⑬ Placa base pequeña
- ⑭ Iluminación LED
- ⑮ Palanca de apriete para el tope paralelo delantero
- ⑯ Palanca de apriete para el ajuste del ángulo de corte
- ⑰ Escala de ajuste de la profundidad de corte
- ⑱ Manguito de empalme (canal de virutas)
- ⑲ Cubierta protectora
- ⑳ Palanca de mando para caperuza protectora contra oscilaciones
- ㉑ Palanca de apriete para el tope paralelo trasero (solo para placa base grande)
- ㉒ Caperuza protectora contra oscilaciones
- ㉓ Husillo de accionamiento
- ㉔ Flecha de sentido de giro
- ㉕ Tope paralelo de dos brazos
- ㉖ Marca de corte de 0°
- ㉗ Marca de corte de 45°
- ㉘ Escala de ajuste del ángulo de corte
- ㉙ Placa base grande
- ㉚ Tornillo de apriete
- ㉛ Brida de apriete
- ㉜ Brida de alojamiento
- ㉝ Marca de ranura de 0° en la placa base
- ㉞ Marca de ranura de 1°-50° en la placa base

#### 3.2 Adaptador del carril guía 2

- ⑳ Almas de soporte traseras
- ㉑ Alma de soporte delantera
- ㉒ Marca de ranura de 0°
- ㉓ Marca de ranura de 1°-50°



### 3.3 Uso conforme a las prescripciones

El producto descrito es una sierra circular de batería. Sirve para trabajos de serrado en madera o en materiales similares, plásticos, yeso encartonado, paneles de fibra de yeso y materiales aglomerados.

La sierra circular manual está equipada con un manguito de empalme desmontable para acoplar a un aspirador de polvo opcional, el cual está diseñado para tubos convencionales de aspirador. Para conectar el tubo de aspiración a la sierra puede que se requiera un adaptador específico.

- ▶ No deben utilizarse hojas de sierra cuyas dimensiones no coincidan con los datos de referencia indicados (p. ej. diámetro, velocidad, grosor) ni discos tronzadores, discos lijadores y hojas de sierra de acero de corte rápido de alta aleación (acero HSS). No deben serrarse metales.
- ▶ No utilice el producto para serrar ramas o troncos.
- ▶ Para este producto utilice únicamente las baterías de Ion-Litio de la serie B 22 de **Hilti**.
- ▶ Para estas baterías utilice exclusivamente los cargadores de **Hilti** de la serie C4/36.

### 3.4 Indicador de la batería de Ion-Litio

El estado de carga de la batería de Ion-Litio y las averías de la herramienta se indican mediante el indicador de la batería de Ion-Litio. El estado de carga de la batería de Ion-Litio se visualiza pulsando una de las dos teclas de desbloqueo de la batería.

Estado	Significado
4 LED encendidos.	Estado de carga: 75 % a 100 %
3 LED encendidos.	Estado de carga: 50 % a 75 %
2 LED encendidos.	Estado de carga: 25 % a 50 %
1 LED encendido.	Estado de carga: 10 % a 25 %
1 LED parpadea, la herramienta está lista para funcionar.	Estado de carga: < 10 %
1 LED parpadea, la herramienta no está lista para funcionar.	La batería está sobrecalentada o totalmente descargada.
4 LED parpadean, la herramienta no está lista para funcionar.	La herramienta está sobrecargada o sobrecalentada.



Con el conmutador de control accionado y hasta 5 s después de soltarlo no es posible consultar el estado de carga.

Si los LED del indicador de la batería parpadean, observe las indicaciones del capítulo «Ayuda en caso de averías».

### 3.5 Tope paralelo

Con el tope paralelo de un brazo pueden realizarse cortes exactos a lo largo del borde de una pieza de trabajo o cortes masivos de listones.

El tope paralelo puede montarse a ambos lados de la placa base.

### 3.6 Suministro

Sierra circular, hoja de sierra, llave de hexágono interior, tope paralelo, manguito de empalme para aspirador de polvo, manual de instrucciones (opcional: adaptador del carril guía)



Puede encontrar piezas de repuesto, consumibles y accesorios para su producto que nosotros mismos comercializamos en **Hilti Store** o en: [www.hilti.group](http://www.hilti.group).

### 3.7 Accesorios

Brida de apriete, brida de alojamiento, tornillo de apriete.



## 4 Datos técnicos

### 4.1 Sierra circular

	<b>SC 70W-A22</b>
Tensión nominal	21,6 V
Peso según el procedimiento EPTA 01	4,8 kg
Diámetro de la hoja de sierra requerido	190 mm
Grosor del disco base	0,7 mm ... 1,5 mm
Ancho de corte	1,5 mm ... 2 mm
Orificio de la hoja de sierra	30 mm
Revoluciones nominales en vacío	3.500 rpm
Profundidad de corte máxima 0°	70 mm
Profundidad de corte máxima 45°	51 mm
Profundidad de corte máxima 50°	45 mm
Ángulo de corte a inglete	0° ... 50°
Temperatura de servicio	-10 °C ... 50 °C
Temperatura de almacenamiento (sin batería)	-30 °C ... 70 °C

### 4.2 Batería

Tensión de servicio de la batería	21,6 V
Temperatura ambiente en funcionamiento	-17 °C ... 60 °C
Temperatura de almacenamiento	-20 °C ... 40 °C
Temperatura de la batería al comenzar la carga	-10 °C ... 45 °C

### 4.3 Información sobre la emisión de ruidos y valores de vibración; medición según EN 62841

Los valores de vibración y de presión acústica indicados en estas instrucciones han sido medidos conforme a los procedimientos de medición homologados y pueden utilizarse para la comparación de diferentes herramientas eléctricas. También resultan útiles para realizar un análisis de los riesgos de exposición. Los datos indicados son específicos para las aplicaciones principales de la herramienta eléctrica. Los datos pueden, no obstante, registrar variaciones si la herramienta eléctrica se emplea para otras aplicaciones o con útiles de inserción distintos, o si se ha efectuado un mantenimiento insuficiente de la herramienta. En estos casos, los riesgos de exposición podrían aumentar considerablemente durante toda la sesión de trabajo. A fin de obtener un análisis preciso de los riesgos de exposición, también deben tenerse en cuenta los periodos en los que la herramienta está desconectada o está en marcha, pero no realmente en uso. De este modo, los riesgos de exposición podrían reducirse considerablemente durante toda la sesión de trabajo. Adopte medidas de seguridad adicionales para proteger al usuario del efecto del ruido y de las vibraciones, como por ejemplo: mantenimiento de la herramienta eléctrica y los útiles de inserción, mantener las manos calientes, organización de los procesos de trabajo, etc.

#### Información sobre la emisión de ruidos; medición según EN 62841

	<b>SC 70W-A22</b>
Nivel de potencia acústica ( $L_{WA}$ )	103 dB(A)
Incertidumbre del nivel de potencia acústica ( $K_{WA}$ )	3 dB(A)
Nivel de intensidad acústica ( $L_{pA}$ )	92 dB(A)
Incertidumbre del nivel de intensidad acústica ( $K_{pA}$ )	3 dB(A)

#### Valores de vibración totales (suma vectorial de tres direcciones), calculados según EN 62841

	<b>SC 70W-A22</b>
Valor de emisión de vibraciones al serrar en madera ( $A_{h, w}$ )	0,93 m/s <sup>2</sup>
Incertidumbre (K)	1,5 m/s <sup>2</sup>



## 5 Manejo

### 5.1 Preparación del trabajo

#### 5.1.1 Carga de la batería

1. Antes de cargarla, lea el manual de instrucciones del cargador.
2. Asegúrese de que los contactos de la batería y del cargador estén limpios y secos.
3. Cargue la batería en un cargador autorizado. 23

#### 5.1.2 Colocación de la batería

##### ADVERTENCIA

##### Riesgo de lesiones por cortocircuito o caída de la batería.

- ▶ Antes de insertar la batería, asegúrese de que los contactos de la batería y del producto estén libres de cuerpos extraños.
- ▶ Asegúrese de que la batería encaje siempre correctamente.

1. Cargue por completo la batería antes de la primera puesta en servicio.
2. Introduzca la batería en el producto hasta que encaje de forma audible.
3. Compruebe que la batería está bien colocada.

#### 5.1.3 Extracción de la batería

1. Pulse las teclas de desbloqueo de la batería.
2. Extraiga la batería de la herramienta.

#### 5.1.4 Desmontaje de la hoja de sierra

##### ADVERTENCIA

**Peligro de quemaduras y cortes en la hoja de sierra, el tornillo de apriete y la brida de apriete** Como consecuencia pueden producirse quemaduras y lesiones por cortes.

- ▶ Utilice guantes de protección para cambiar de útil.

1. Extraiga la batería.
2. Coloque la llave de hexágono interior en el tornillo de apriete de la hoja de sierra.
3. Pulse y mantenga pulsado el botón de bloqueo del husillo.
4. Gire el tornillo de apriete de la hoja de sierra con la llave de hexágono interior hasta que el botón de bloqueo del husillo encaje completamente.
5. Afloje el tornillo de apriete con la llave de hexágono interior girando en el sentido que indica la flecha de giro.
6. Retire el tornillo de apriete y la brida de apriete exterior.
7. Abra la caperuza protectora contra oscilaciones girando la hoja de sierra hasta extraerla.



En caso necesario puede extraerse la brida de alojamiento para su limpieza.

#### 5.1.5 Montaje de la hoja de sierra

##### PRECAUCIÓN

**Riesgo de daños!** El uso de hojas de sierra inadecuadas o mal colocadas puede dañar la sierra.

- ▶ Utilice solo hojas de sierra adecuadas para esta sierra. Tenga en cuenta la dirección de giro de la hoja de sierra indicada por la flecha.
- ▶ Utilice únicamente hojas de sierra cuya velocidad admisible alcance, como mínimo, el valor máximo indicado en el producto.



**Asegúrese de que la hoja de sierra montada satisface los requisitos técnicos y está bien afilada.** Un buen afilado de la hoja de sierra es indispensable para realizar un corte perfecto.

1. Extraiga la batería.
2. Limpie la brida de alojamiento y la brida de apriete.
3. Inserte la brida de alojamiento en el husillo de accionamiento con la orientación correcta.



4. Abra la caperuza protectora contra oscilaciones.
5. Inserte la nueva hoja de sierra.
6. Encaje la brida de apriete externa correctamente orientada.
7. Coloque el tornillo de apriete.
8. Coloque la llave de hexágono interior en el tornillo de apriete de la hoja de sierra.
9. Pulse el botón de bloqueo del husillo.
10. Fije la brida de apriete con el tornillo de apriete girando la llave de hexágono interior en el sentido opuesto al que indica la flecha de sentido de giro.
  - ▶ El botón de bloqueo del husillo queda enclavado.
11. Antes de la puesta en servicio, compruebe que la hoja de sierra está correctamente fijada.

### 5.1.6 Ajuste de la profundidad de corte

1. Extraiga la batería.
2. Extraiga la palanca de apriete del dispositivo de ajuste de la profundidad de corte.
3. Levante el producto y ajuste la profundidad de corte apretando la palanca de apriete.



La profundidad de corte ajustada debería ser siempre entre 5 y 10 mm mayor que el grosor del material que desea serrarse.

La profundidad ajustada se muestra en la escala y en el indicador de la parte posterior de la capuzera protectora.

### 5.1.7 Ajuste del ángulo de corte

1. Extraiga la batería.
2. Extraiga la palanca de apriete del dispositivo de ajuste del ángulo de corte.
3. Oriente el producto a la posición deseada.



Con el ajuste previo del ángulo de corte se puede ajustar de forma sencilla el ángulo máximo a 22,5°/45°/50°.

4. Fije la palanca de apriete del dispositivo de ajuste del ángulo de corte.

### 5.1.8 Serrado con trazado



En la placa base delantera de la sierra circular se encuentra un indicador de trazado (0° y 45°) para cortes rectos y diagonales. De este modo, se pueden ejecutar cortes precisos en función del ángulo de corte seleccionado. El trazado coincide con la cara interna de la hoja de sierra. En la parte delantera del corte se encuentra un indicador de trazado para la hoja de sierra.



Fije bien la pieza de trabajo para que no se mueva.

Coloque la pieza de trabajo de tal modo que la hoja de sierra pueda girar con total libertad debajo de la pieza de trabajo.

Asegúrese de que el interruptor de conexión y desconexión del producto esté desconectado.

Coloque el producto con la placa base sobre la pieza de trabajo de modo que la hoja de sierra todavía no entre en contacto con la pieza de trabajo.

1. Coloque la batería.
2. Conecte el producto con el bloqueo de conexión presionado, presionando el interruptor de conexión y desconexión.
3. Maneje el producto a una velocidad de trabajo adecuada a lo largo del trazado de la pieza de trabajo.

### 5.1.9 Montaje/ajuste del tope paralelo

1. Extraiga la batería.
2. Gire el tope de profundidad en la placa base hasta que haya espacio suficiente para introducir el tope paralelo.
3. Desplace la guía del tope paralelo debajo del tope de profundidad.
4. Ajuste el ancho de corte deseado.





## 5. Apriete el tope de profundidad.



El tope paralelo (de uno/dos brazos) puede montarse a ambos lados de la placa base. El tope paralelo de dos brazos solo debe utilizarse para la placa base grande.

Con el tope paralelo pueden realizarse cortes exactos a lo largo del borde de una pieza de trabajo o cortar listones de la misma medida.

### 5.1.10 Montaje del adaptador del carril guía



La sierra se puede equipar con un adaptador de carril guía que es posible adquirir como accesorio.

Durante el serrado con placa base pequeña, se recomienda utilizar un adaptador del carril guía apropiado.

1. Extraiga la batería.
2. Si procede, retire el tope paralelo montado.
3. Desplace la placa base en el alma de soporte lateral del adaptador del carril guía.
4. Coloque la placa base totalmente en el adaptador del carril guía.
5. Bloquee el adaptador del carril guía presionando las dos correderas hasta el tope.

## 5.2 Trabajo

### 5.2.1 Conexión

- ▶ Conecte el producto con el bloqueo de conexión presionado, presionando el interruptor de conexión y desconexión.

### 5.2.2 Desconexión

- ▶ Sostenga la herramienta soltando el interruptor de conexión y desconexión.

### 5.2.3 Corte longitudinal a 0°

1. Coloque la sierra circular con la marca de ranura «0°» sobre el alma del carril guía.
2. Conecte el producto con el bloqueo de conexión presionado, presionando el interruptor de conexión y desconexión.
3. Guíe el producto a una velocidad de trabajo adecuada del raíl a través de la pieza de trabajo.

### 5.2.4 Cortes longitudinales en ángulos de hasta 50°

1. Ajuste el ángulo.



#### ADVERTENCIA

**Riesgo de colisión al realizar cortes diagonales.** Colisiones de la hoja de sierra con el carril guía.

- ▶ Coloque la sierra con la ranura correcta sobre el alma del carril guía. De lo contrario, la hoja de sierra chocará con el carril guía.

2. Coloque la sierra con la marca de ranura «1°-50°» sobre el alma del carril guía.
3. Conecte el producto con el bloqueo de conexión presionado, presionando el interruptor de conexión y desconexión.
4. Guíe el producto a una velocidad de trabajo adecuada del raíl a través de la pieza de trabajo.

### 5.2.5 Inicio de cortes en ángulo plano

1. Coloque el carril guía con el punto cero en el borde de la pieza de trabajo y gire el carril hasta que el ángulo deseado quede en posición opuesta al punto cero en la escala de ángulos. El ángulo de corte seleccionado indica el ángulo de desviación del corte respecto a un corte en ángulo recto.
2. Fije los carriles guía con dos sargentos.
3. Coloque la sierra circular con la marca de ranura «0°» sobre el alma del carril guía.
4. Conecte el producto con el bloqueo de conexión presionado, presionando el interruptor de conexión y desconexión.
5. Guíe el producto a una velocidad de trabajo adecuada del raíl a través de la pieza de trabajo.

### 5.2.6 Serrado sin aspiración de virutas

1. Tenga en cuenta que las virutas se expulsan libremente.



2. Si es necesario, el manguito de empalme se puede extraer de la caperuza protectora con la llave de hexágono interior que encontrará en el producto, después de abrir el tornillo con hexágono interior.

## 6 Cuidado y mantenimiento

---

### ADVERTENCIA

#### Riesgo de lesiones con la batería colocada !

- ▶ Extraiga siempre la batería antes de llevar a cabo tareas de cuidado y mantenimiento.
- 

#### Cuidado del producto

- Elimine con precaución la suciedad fuertemente adherida.
- Las rejillas de ventilación, si las hay, deben limpiarse con cuidadosamente con un cepillo seco y suave.
- Limpie la carcasa solo con un paño ligeramente humedecido. No utilice productos de limpieza que contengan silicona, ya que podrían dañar las piezas de plástico.
- Utilice un paño limpio y seco para limpiar los contactos del producto.

#### Cuidado de las baterías de Ion-Litio


- No utilice nunca una batería con las rejillas de ventilación obstruidas. Limpie cuidadosamente las rejillas de ventilación con un cepillo seco y suave.
- Evite la exposición innecesaria de la batería al polvo o la suciedad. No exponga nunca la batería a altos niveles de humedad (por ejemplo, sumergiéndola en agua o dejándola bajo la lluvia).  
Si penetra agua en la batería, trátela como una batería dañada. Aíslela en un recipiente no inflamable y póngase en contacto con el Servicio Técnico de **Hilti**.
- Mantenga la batería limpia de aceite o grasa. No permita la acumulación innecesaria de polvo o suciedad en la batería. Limpie la batería con un cepillo seco y suave o con un paño limpio y seco. No utilice productos de limpieza que contengan silicona, ya que podrían dañar las piezas de plástico.  
No toque los contactos de la batería y no elimine de los contactos la grasa aplicada de fábrica.
- Limpie la carcasa solo con un paño ligeramente humedecido. No utilice productos de limpieza que contengan silicona, ya que podrían dañar las piezas de plástico.

#### Mantenimiento

### ADVERTENCIA

#### Riesgo de descarga eléctrica. Las reparaciones indebidas en componentes eléctricos pueden producir lesiones graves y quemaduras.

- ▶ Las reparaciones de la parte eléctrica sólo puede llevarlas a cabo un técnico electricista cualificado.
  - Compruebe con regularidad que las piezas visibles no estén dañadas y los elementos de manejo funcionen correctamente.
  - No utilice el producto si presenta daños o fallos que afecten al funcionamiento. Encargue inmediatamente la reparación del producto al Servicio Técnico de **Hilti**.
  - Tras las tareas de cuidado y mantenimiento, coloque todos los dispositivos de protección y asegúrese de que funcionen correctamente.
- 

 Para garantizar un correcto funcionamiento, utilice exclusivamente piezas de repuesto, material de consumo y accesorios originales. Las piezas de repuesto, los materiales de consumo y los accesorios autorizados por **Hilti** se pueden consultar en su **Hilti Store** o en: [www.hilti.group](http://www.hilti.group)

---

### 6.1 Limpieza del dispositivo de protección

1. Para realizar la limpieza del dispositivo de protección, extraiga la hoja de sierra.
2. Limpie cuidadosamente los dispositivos de protección con un cepillo seco.
3. Elimine los sedimentos y virutas acumulados en el interior de los dispositivos de protección con la herramienta adecuada.
4. Coloque la hoja de sierra.

### 6.2 Pasos que deben realizarse si el canal de virutas está obstruido

1. Extraiga la batería.



2. Limpie el canal de virutas.



Puede ser necesario tener que desmontar la hoja de sierra. 25

3. Compruebe si las piezas móviles de la herramienta funcionan correctamente y sin atascarse, y si existen piezas rotas o deterioradas que pudieran afectar al funcionamiento del producto.

### 6.3 Comprobación después de las tareas de cuidado y mantenimiento



Una vez realizadas las tareas de cuidado y mantenimiento, compruebe si están colocados todos los dispositivos de protección y si estos funcionan correctamente.

- ▶ Para comprobar la caperuza protectora contra oscilaciones, ábrala por completo presionando la palanca de mando.
  - ▶ Al soltar la palanca de mando, la caperuza protectora contra oscilaciones debe cerrarse rápidamente y por completo.

## 7 Transporte y almacenamiento

### Transporte de baterías y herramientas a batería



#### PRECAUCIÓN

#### Arranque involuntario en el transporte !

- ▶ Transporte sus productos siempre sin batería.
- ▶ Extraiga la(s) batería(s).
- ▶ Nunca transporte las baterías sin embalaje. Durante el transporte, las baterías deben estar protegidas frente a vibraciones y golpes excesivos y aisladas de todo material conductor y de otras baterías para que no entren en contacto con los polos de otras baterías y causen un cortocircuito. **Tenga en cuenta las normativas locales sobre el transporte de baterías.**
- ▶ Las baterías no deben enviarse por correo. Diríjase a una empresa de transporte si quiere enviar baterías no dañadas.
- ▶ Compruebe si el producto o las baterías están dañados antes de cada uso y antes y después de un transporte prolongado.

### Almacenamiento de baterías y herramientas a batería



#### ADVERTENCIA

#### Daños imprevistos debido a una batería defectuosa o agotada !

- ▶ Guarde su productos siempre sin batería.
- ▶ Guarde el producto y las baterías en un lugar fresco y seco. Tenga en cuenta los valores límite de temperatura que figuran en los datos técnicos.
- ▶ No almacene las baterías en el cargador. Extraiga siempre la batería del cargador después del proceso de carga.
- ▶ No guarde nunca las baterías en un lugar expuesto al sol, a fuentes de calor o detrás de un cristal.
- ▶ Guarde el producto y las baterías fuera del alcance de niños y personas no autorizadas.
- ▶ Compruebe si el producto o las baterías están dañados antes de cada uso y antes y después de un almacenamiento prolongado.

## 8 Ayuda en caso de averías

- ▶ Si se producen averías que no estén incluidas en esta tabla o que no pueda solucionar usted, diríjase al Servicio Técnico de **Hilti**.

### 8.1 La sierra circular no está lista para funcionar

Anomalía	Posible causa	Solución
Los LED no indican nada.	La batería no se ha insertado completamente.	▶ Coloque la batería.
	La batería está descargada.	▶ Cargue la batería.



Anomalía	Posible causa	Solución
Los LED no indican nada.	La batería está demasiado caliente o fría.	► Deje que la batería alcance la temperatura ambiente correcta.
1 LED parpadea.	La batería está descargada.	► Cargue la batería.
	La batería está demasiado caliente o fría.	► Deje que la batería alcance la temperatura ambiente correcta.
Los 4 LED parpadean.	Sierra circular sobrecargada brevemente.	► Suelte el interruptor de conexión y desconexión y vuélvalo a accionar.
	La protección de sobrecalentamiento está activada.	► Deje enfriar la sierra circular y limpie las rejillas de ventilación.

## 8.2 La sierra circular está lista para funcionar

Anomalía	Posible causa	Solución
El interruptor de conexión y desconexión no se puede pulsar o está bloqueado.	Ninguna avería (función de seguridad).	► Presione el bloqueo de conexión.
La velocidad desciende de forma brusca.	La batería está descargada.	► Cargue la batería.
	La potencia de avance es demasiado elevada.	► Reduzca la potencia de avance y vuelva a conectar el producto.
Las virutas no se transportan al contenedor para virutas y se acumulan en la placa base.	Contenedor para virutas lleno.	► Vacíe el contenedor para virutas.
	El canal de virutas está obstruido.	► Limpie el canal de virutas. 28
Detenga la hoja de sierra.	La potencia de avance es demasiado elevada.	► Reduzca la potencia de avance y vuelva a conectar el producto.
La batería se descarga con mayor rapidez que de costumbre.	Estado de la batería no óptimo.	► Sustituya la batería.
La batería no encaja con un doble clic audible.	Suciedad en las lengüetas de la batería.	► Limpie las lengüetas y enclave la batería. Póngase en contacto con el Servicio Técnico de <b>Hilti</b> si no consigue solucionar el problema.
Calentamiento considerable de la sierra circular o la batería.	Error en el sistema eléctrico.	► Desconecte la sierra circular de inmediato. Extraiga la batería y obsérvela. Deje que la batería se enfríe. Póngase en contacto con el Servicio Técnico de <b>Hilti</b> .
	El producto está sobrecargado (límites de aplicación superados).	► Seleccione una herramienta adecuada para la aplicación.
La sierra vibra mucho	Hoja de sierra montada incorrectamente	► Monte la hoja de sierra correctamente. 25

## 9 Reciclaje

### ADVERTENCIA

**Riesgo de lesiones por un reciclaje indebido.** Riesgo para la salud debido a escapes de gases o líquidos.

- No envíe baterías dañadas bajo ningún concepto.
- Cubra las conexiones con un material no conductor para evitar cortocircuitos.
- Deshágase de las baterías de tal forma que no terminen en manos de niños.
- Elimine la batería en su **Hilti Store** o diríjase a su empresa de desechos.

Los productos **Hilti** están fabricados en su mayor parte con materiales reutilizables. La condición para dicha reutilización es una separación adecuada de los materiales. En muchos países, **Hilti** recoge las



herramientas usadas para su recuperación. Pregunte al Servicio de Atención al Cliente de Hilti o a su asesor de ventas.



- ▶ No deseche las herramientas eléctricas, los aparatos eléctricos ni las baterías junto con los residuos domésticos.

## 10 RoHS (Directiva sobre restricciones de la utilización de sustancias peligrosas)

Puede ver la tabla de sustancias peligrosas en el siguiente enlace: [qr.hilti.com/r2937785](http://qr.hilti.com/r2937785).

Al final de esta documentación encontrará, en forma de código QR, un enlace a la tabla sobre la directiva RoHS.

## 11 Garantía del fabricante

- ▶ Si tiene alguna consulta acerca de las condiciones de la garantía, póngase en contacto con su sucursal local de Hilti.

# Manual de instruções original

## 1 Indicações sobre o Manual de instruções

### 1.1 Relativamente a este Manual de instruções

- Antes da colocação em funcionamento, leia este manual de instruções. Esta é a condição para um trabalho seguro e um manuseamento sem problemas.
- Tenha em atenção as instruções de segurança e as advertências neste Manual de instruções e no produto.
- Guarde o manual de instruções sempre junto do produto e entregue-o a outras pessoas apenas juntamente com este manual de instruções.

### 1.2 Explicação dos símbolos

#### 1.2.1 Advertências

As advertências alertam para perigos durante a utilização do produto. São utilizadas as seguintes palavras de aviso:

#### **PERIGO**

**PERIGO !**

- ▶ Indica perigo iminente que pode originar acidentes pessoais graves ou até mesmo fatais.

#### **AVISO**

**AVISO !**

- ▶ Indica um possível perigo que pode causar graves ferimentos pessoais, até mesmo fatais.

#### **CUIDADO**

**CUIDADO !**

- ▶ Indica uma situação potencialmente perigosa que pode originar ferimentos corporais ou danos materiais.

#### 1.2.2 Símbolos no manual de instruções

Neste manual de instruções são utilizados os seguintes símbolos:



Consultar o manual de instruções



Instruções de utilização e outras informações úteis



	Manuseamento com materiais recicláveis
	Não deitar as ferramentas eléctricas e baterias no lixo doméstico
	Bateria de iões de lítio <b>Hilti</b>
	Carregador <b>Hilti</b>

### 1.2.3 Símbolos nas figuras

Em figuras são utilizados os seguintes símbolos:

<b>2</b>	Estes números remetem para a figura respectiva no início do presente manual de instruções.
3	A numeração nas imagens indica passos de trabalho importantes ou componentes importantes para os passos de trabalho. No texto, estes passos de trabalho ou componentes são realçados com os respectivos números, p. ex. <b>(3)</b> .
<b>11</b>	Na figura <b>Vista geral</b> são utilizados números de posição que fazem referência aos números da legenda na secção <b>Vista geral do produto</b> .
	Este símbolo pretende despertar a sua atenção durante o manuseamento do produto.

## 1.3 Símbolos dependentes do produto

### 1.3.1 Símbolos

No produto, podem usar-se os seguintes símbolos:

$n_0$	Velocidade nominal de rotação sem carga
---	Corrente contínua
RPM	Rotações por minuto
$\varnothing$	Diâmetro
	Lâmina de serra
	O produto suporta a transmissão de dados sem fios, que é compatível com plataformas iOS e Android.
Li-Ion	Bateria de iões de lítio
	Série utilizada da bateria de iões de lítio <b>Hilti</b> . Tenha em atenção as indicações no capítulo <b>Utilização conforme a finalidade projectada</b> .
	Nunca utilize a bateria como ferramenta de percussão.
	Não deixe cair a bateria. Não utilize baterias que tenham recebido uma pancada ou que estejam, de outra forma, danificadas.

## 1.4 Dados informativos sobre o produto

Os produtos destinam-se ao utilizador profissional e só podem ser operados, mantidos e reparados por pessoal autorizado, devidamente qualificado. Estas pessoas deverão estar informadas em particular sobre os potenciais perigos. O produto e seu equipamento auxiliar podem representar perigo se usados incorrectamente por pessoas não qualificadas ou se usados para fins diferentes daqueles para os quais foram concebidos.

A designação e o número de série são indicados na placa de características.



- ▶ Registe o número de série na tabela seguinte. Precisa dos dados do produto para colocar questões ao nosso representante ou posto de serviço de atendimento aos clientes.

#### Dados do produto

Serra circular	SC 70W-A22
Geração	01
N.º de série	

### 1.5 Declaração de conformidade

Declaramos sob nossa exclusiva responsabilidade que o produto aqui descrito está em conformidade com as directivas e normas em vigor. Na parte final desta documentação encontra uma reprodução da declaração de conformidade.

As documentações técnicas estão aqui guardadas:

Hilti Entwicklungsgesellschaft mbH | Zulassung Geräte | Hiltistraße 6 | 86916 Kaufering, DE

## 2 Segurança

### 2.1 Normas de segurança gerais para ferramentas eléctricas

**⚠ AVISO Leia todas as normas de segurança, instruções, imagens e dados técnicos, com os quais esta ferramenta eléctrica está equipada.** O não cumprimento das instruções a seguir pode resultar em choque eléctrico, incêndio e/ou ferimentos graves.

**Guarde bem todas as normas de segurança e instruções para futura referência.**

O termo “ferramenta eléctrica” utilizado nas normas de segurança refere-se a ferramentas com ligação à corrente eléctrica (com cabo de alimentação) ou a ferramentas a bateria (sem cabo).

#### Segurança no posto de trabalho

- ▶ **Mantenha a sua área de trabalho limpa e bem iluminada.** Locais desarrumados ou mal iluminados podem ocasionar acidentes.
- ▶ **Não utilize a ferramenta eléctrica em ambientes explosivos ou na proximidade de líquidos ou gases inflamáveis.** Ferramentas eléctricas produzem faíscas que podem provocar a ignição de pó e vapores.
- ▶ **Mantenha crianças e terceiros afastados durante os trabalhos.** Distrações podem conduzir à perda de controlo sobre a ferramenta.

#### Segurança eléctrica

- ▶ **A ficha da ferramenta eléctrica deve servir na tomada. A ficha não deve ser modificada de modo algum. Não utilize quaisquer adaptadores com ferramentas eléctricas com ligação terra.** Fichas originais (não modificadas) e tomadas adequadas reduzem o risco de choque eléctrico.
- ▶ **Evite o contacto do corpo com superfícies ligadas à terra, como, por exemplo, canos, radiadores, fogões e frigoríficos.** Existe um risco elevado de choque eléctrico se o corpo estiver com ligação à terra.
- ▶ **As ferramentas eléctricas não devem ser expostas à chuva nem à humidade.** A infiltração de água numa ferramenta eléctrica aumenta o risco de choque eléctrico.
- ▶ **Não use o cabo de ligação para transportar, pendurar ou desligar a ferramenta eléctrica da tomada. Mantenha o cabo de ligação afastado de calor, óleo, arestas vivas ou partes em movimento.** Cabos de ligação danificados ou emaranhados aumentam o risco de choque eléctrico.
- ▶ **Quando operar uma ferramenta eléctrica ao ar livre, utilize apenas cabos de extensão próprios para utilização no exterior.** A utilização de um cabo de extensão próprio para utilização no exterior reduz o risco de choques eléctricos.
- ▶ **Utilize um disjuntor diferencial se não puder ser evitada a utilização da ferramenta eléctrica em ambiente húmido.** A utilização de um disjuntor diferencial reduz o risco de choque eléctrico.

#### Segurança física

- ▶ **Esteja alerta, observe o que está a fazer, e tenha prudência ao trabalhar com uma ferramenta eléctrica. Se estiver cansado ou sob influência de drogas, álcool ou medicamentos não efectue nenhum trabalho com ferramentas eléctricas.** Um momento de distração ao operar a ferramenta eléctrica pode causar ferimentos graves.
- ▶ **Use equipamento de segurança. Use sempre óculos de protecção.** Equipamento de segurança, como, por exemplo, máscara antipoeiras, sapatos de segurança antiderrapantes, capacete de segurança ou protecção auricular, de acordo com o tipo e aplicação da ferramenta eléctrica, reduzem o risco de lesões.



- ▶ **Evite um arranque involuntário. Assegure-se de que a ferramenta eléctrica está desligada antes de a ligar à fonte de alimentação e/ou à bateria, pegar nela ou a transportar.** Transportar a ferramenta eléctrica com o dedo no interruptor ou ligar uma ferramenta à tomada com o interruptor ligado (ON) pode resultar em acidentes.
- ▶ **Remova quaisquer chaves de ajuste (chaves de fenda), antes de ligar a ferramenta eléctrica.** Um acessório ou chave deixado preso numa parte rotativa da ferramenta pode causar ferimentos.
- ▶ **Evite posturas corporais desfavoráveis. Mantenha sempre uma posição correcta, em perfeito equilíbrio.** Desta forma será mais fácil manter o controlo sobre a ferramenta eléctrica em situações inesperadas.
- ▶ **Use roupa apropriada. Não use roupa larga ou jóias. Mantenha o cabelo, vestuário e luvas afastados das peças móveis.** Roupas largas, jóias ou cabelos compridos podem ficar presos nas peças móveis.
- ▶ **Se poderem ser montados sistemas de remoção e de recolha de pó, assegure-se de que estes estão ligados e são utilizados correctamente.** A utilização de um sistema de remoção de pó pode reduzir os perigos relacionados com a exposição ao mesmo.
- ▶ **Não se acomode numa falsa sensação de segurança e não ignore os regulamentos de segurança para ferramentas eléctricas, mesmo se estiver familiarizado com a ferramenta eléctrica após numerosas utilizações.** Agir de forma descuidada pode causar ferimentos graves dentro duma fracção de segundo.

#### Utilização e manuseamento da ferramenta eléctrica

- ▶ **Não sobrecarregue a ferramenta. Use para o seu trabalho a ferramenta eléctrica correcta.** Com a ferramenta eléctrica adequada obterá maior eficiência e segurança se respeitar os seus limites.
- ▶ **Não utilize a ferramenta eléctrica se o interruptor estiver defeituoso.** Uma ferramenta eléctrica que já não possa ser accionada pelo interruptor é perigosa e deve ser reparada.
- ▶ **Retire a ficha da tomada e/ou remova uma bateria amovível antes de efectuar ajustes na ferramenta, substituir acessórios ou guardar a ferramenta.** Esta medida preventiva evita o accionamento accidental da ferramenta eléctrica.
- ▶ **Guarde ferramentas eléctricas não utilizadas fora do alcance das crianças. Não permita que a ferramenta seja utilizada por pessoas não familiarizadas com a mesma ou que não tenham lido estas instruções.** Ferramentas eléctricas operadas por pessoas não treinadas são perigosas.
- ▶ **Faça uma manutenção regular de ferramentas eléctricas e acessórios. Verifique se as partes móveis funcionam perfeitamente e não emperram ou se há peças quebradas ou danificadas que possam influenciar o funcionamento da ferramenta eléctrica. Peças danificadas devem ser reparadas antes da utilização da ferramenta.** Muitos acidentes são causados por ferramentas eléctricas com manutenção deficiente.
- ▶ **Mantenha as ferramentas de corte sempre afiadas e limpas.** Acessórios com gumes afiados tratados correctamente emperram menos e são mais fáceis de controlar.
- ▶ **Utilize a ferramenta eléctrica, acessórios, bits, etc., de acordo com estas instruções. Tome também em consideração as condições de trabalho e o trabalho a ser efectuado.** A utilização da ferramenta eléctrica para outros fins além dos previstos, pode ocasionar situações de perigo.
- ▶ **Mantenha punhos e respectivas superfícies secos, limpos e isentos de óleo e gordura.** Punhos e superfícies afins escorregadios não permitem um manuseamento e controlo seguro da ferramenta eléctrica em situações imprevistas.

#### Utilização e manuseamento da ferramenta a bateria

- ▶ **Apenas deverá carregar as baterias em carregadores recomendados pelo fabricante.** Num carregador adequado para um determinado tipo de baterias existe perigo de incêndio se for utilizado para outras baterias.
- ▶ **Nas ferramentas eléctricas utilize apenas as baterias previstas.** A utilização de outras baterias pode causar ferimentos e riscos de incêndio.
- ▶ **Quando a bateria não estiver em uso, mantenha-a afastada de outros objectos de metal, como, por exemplo, cliques, moedas, chaves, pregos, parafusos, ou outros pequenos objectos metálicos que possam ligar em ponte os contactos.** Um curto-circuito entre os contactos da bateria pode causar queimaduras ou incêndio.
- ▶ **Utilizações inadequadas podem provocar derrame do líquido da bateria. Evite o contacto com este líquido. No caso de contacto accidental, enxágue imediatamente com água. Se o líquido entrar em contacto com os olhos, procure auxílio médico.** O líquido que escorre da bateria pode provocar irritações ou queimaduras da pele.
- ▶ **Não utilize uma bateria danificada ou modificada.** Baterias danificadas ou modificadas podem ter um comportamento imprevisível e causar fogo, explosão ou risco de ferimentos.





- ▶ **Não exponha uma bateria ao fogo ou a temperaturas excessivas.** Fogo e temperaturas superiores a 130 °C (265 °F) podem provocar uma explosão.
- ▶ **Cumpra todas as instruções sobre o carregamento e nunca carregue a bateria ou a ferramenta a bateria fora da faixa de temperaturas indicada no manual de instruções.** O carregamento errado ou fora da faixa de temperaturas permitida pode destruir a bateria e aumentar o risco de incêndio.

### Manutenção

- ▶ **A sua ferramenta eléctrica só deve ser reparada por pessoal qualificado e só devem ser utilizadas peças sobressalentes originais.** Isto assegurará que a segurança da ferramenta se mantenha.
- ▶ **Nunca faça a manutenção de baterias danificadas.** Qualquer manutenção de baterias só deverá ser realizada pelo fabricante ou serviços de assistência técnica autorizados.

## 2.2 Normas de segurança para todas as serras

### Processo de corte

- ▶ **⚠ PERIGO: Não introduza as mãos na zona de corte nem toque na própria lâmina de serra. Segure o punho adicional ou a carcaça do motor com a outra mão.** Se ambas as mãos segurarem a serra, estas não poderão ser feridas pela lâmina.
- ▶ **Não introduza a mão por baixo da peça a cortar.** O resguardo de disco não poderá protegê-lo da lâmina de serra neste sítio.
- ▶ **Adapte a profundidade de corte à espessura da peça a cortar.** Menos de uma altura total de um dente do dentado da lâmina deveria desaparecer abaixo da peça a cortar.
- ▶ **Nunca segure a peça a cortar com as mãos ou sobre as pernas. Fixe-a a um suporte estável.** É importante fixar a peça a cortar firmemente, a fim de minimizar as possibilidades de haver contacto com o corpo, de a lâmina de serra emperrar ou de se perder o controlo.
- ▶ **Pegue na ferramenta eléctrica apenas pelas áreas isoladas dos punhos quando executar trabalhos onde a lâmina pode encontrar cabos eléctricos encobertos.** O contacto com um cabo sob tensão também coloca as partes metálicas da ferramenta eléctrica sob tensão e conduz a um choque eléctrico.
- ▶ **Utilize sempre um encosto ou uma guia recta quando efectuar cortes longitudinais.** Isto melhora a qualidade do corte e reduz a possibilidade de a lâmina de serra bloquear.
- ▶ **Utilize sempre lâminas de serra de tamanho correcto e com um orifício de montagem adequado (por ex., em forma de estrela ou circular).** Lâminas de serra que não combinam com as peças de montagem, apresentam excentricidade e conduzem à perda de controlo.
- ▶ **Nunca utilize anilhas adicionais ou parafusos para a lâmina de serra que estejam danificados ou não sejam adequados.** As anilhas adicionais e os parafusos para a lâmina de serra foram especificamente fabricados para esta serra, a fim de se obter um rendimento e uma segurança de funcionamento óptimos.

### Coice - causas e respectivas normas de segurança

- um coice é a reacção repentina de uma lâmina de serra que prende, bloqueia ou está mal alinhada. Isto faz com que uma serra descontrolada ressalte e saia da peça a cortar e se mova na direcção do operador;
- a lâmina de serra bloqueia quando esta engata ou fica presa na ranhura de corte que se vai fechando. A força do motor impulsiona então a serra na direcção do operador;
- quando se desalinha ou se orienta incorrectamente a lâmina de serra na ranhura de corte, os dentes do rebordo posterior da mesma podem engatar-se na superfície da peça a cortar, o que provoca um movimento de saída da lâmina de serra da ranhura de corte e a ferramenta ressalta na direcção do operador.

Um coice é a consequência de uma utilização incorrecta ou deficiente da serra. Este pode ser evitado através de precauções adequadas, como descrito a seguir.

- ▶ **Segure a serra com ambas as mãos, colocando os braços numa posição em que poderá absorver as forças do coice. Coloque-se sempre ao lado da lâmina de serra, tentando que a lâmina de serra e o próprio corpo nunca se encontrem na mesma linha.** No caso de um coice, a serra circular pode saltar para trás. Porém, o operador da serra pode dominar as forças do coice através de precauções adequadas.
- ▶ **Caso interrompa o trabalho ou a lâmina de serra encrave, desligue a serra e segure-a com calma dentro do material, até a lâmina de serra ficar imobilizada. Nunca tente retirar a lâmina de serra da peça a cortar, ou de retroceder com a serra, enquanto a mesma está em movimento; caso contrário, pode ocorrer um coice.** Determine e corrija a causa de a lâmina de serra encravar.
- ▶ **Se pretender fazer arrancar uma serra dentro do material, centre a lâmina na ranhura de corte e verifique se os dentes não estão encravados na peça a cortar.** Se a lâmina de serra estiver bloqueada, esta pode escapar do material, ou produzir um contragolpe ao voltar a ligar-se a serra.



- ▶ **Escore placas grandes, a fim de diminuir o perigo de um coice devido a um disco de corte bloqueado.** Placas grandes podem flectir sob o seu próprio peso. Placas têm de ser escoradas de ambos os lados, tanto na proximidade da ranhura de corte como também na borda.
- ▶ **Não utilize lâminas de serra embotadas ou danificadas.** Lâminas de serra com dentes embotados ou mal alinhados produzem uma fricção maior, aumentando o perigo de bloqueios e coices.
- ▶ **Ajuste as regulações da profundidade e do ângulo de corte antes de começar com o corte.** Se as regulações se modificam durante o corte, a lâmina de serra pode bloquear-se, produzindo um coice.
- ▶ **Tenha particular atenção ao cortar em paredes existentes ou noutras áreas não inspecionáveis.** Durante a imersão, a lâmina de serra pode ficar bloqueada em objectos encobertos, causando um coice.

## 2.3 Normas de segurança adicionais

### Segurança física

- ▶ **Não é permitida a modificação ou manipulação da ferramenta.**
- ▶ **Segure a ferramenta sempre com as duas mãos nos punhos previstos para o efeito. Mantenha os punhos secos, limpos e isentos de óleos e massas.**
- ▶ **Use protecção auricular.** Ruído em excesso pode levar à perda de audição.
- ▶ **Se a ferramenta for utilizada sem o sistema de remoção de pó, é indispensável colocar uma máscara de protecção respiratória.**
- ▶ **Utilize a ferramenta somente com os respectivos dispositivos de segurança.**
- ▶ **Faça pausas durante o trabalho. Aproveite para relaxar os músculos e melhorar a circulação sanguínea nos dedos.**
- ▶ **A ferramenta não está concebida para pessoas debilitadas sem formação.**
- ▶ **Mantenha a ferramenta afastada das crianças.**
- ▶ **Ligue o produto apenas no local de trabalho.**
- ▶ **Retire a bateria quando guardar ou transportar a ferramenta.**
- ▶ **Não trabalhe com o produto invertido.**
- ▶ **Não trave o produto exercendo pressão lateral contra a lâmina de serra.**
- ▶ **A linha de corte deve estar livre de obstáculos. Não utilize a serra para serrar parafusos, pregos, etc.**
- ▶ **Não toque na flange nem no parafuso de aperto com a ferramenta a trabalhar.**
- ▶ **Nunca pressione o botão de pressão para bloqueio do veio quando a lâmina de serra está a girar.**
- ▶ **Não aponte a ferramenta para pessoas.**
- ▶ **Adapte a força de avanço à lâmina de serra e ao material trabalhado, de modo que a lâmina de serra não seja bloqueada, provocando eventualmente um coice.**
- ▶ **Evite o sobreaquecimento das pontas dos dentes da serra.**
- ▶ **Ao serrar materiais plásticos deve evitar-se a fusão do plástico.**
- ▶ **Pós de materiais, como tinta com chumbo, algumas madeiras, betão/alvenaria/rochas quartzíferas, minerais e metal podem ser nocivos. O contacto ou a inalação do pó podem provocar reacções alérgicas e/ou doenças das vias respiratórias no utilizador ou em pessoas que se encontrem nas proximidades. Determinados pós, como os de carvalho ou de faia, são considerados cancerígenos, especialmente em combinação com aditivos para o tratamento de madeiras (cromato, produtos para a preservação de madeiras). Material que contenha amianto só pode ser manuseado por pessoal especializado. **Se possível, utilize um aspirador de pó. Para alcançar um elevado grau de remoção de pó, utilize um aspirador móvel. Se necessário, utilize uma máscara de protecção respiratória adequada ao respectivo pó. Assegure-se de que o local de trabalho está bem ventilado. Respeite as regulamentações em vigor no seu país relativas aos materiais a trabalhar.****
- ▶ **Antes de iniciar os trabalhos, apure a classe de perigo do pó gerado. Utilize um aspirador industrial com protecção aprovada e que esteja de acordo com as regulamentações locais sobre emissão de poeiras nocivas para o ambiente.**
- ▶ **Respeite os requisitos nacionais de segurança no trabalho.**

### Segurança eléctrica

- ▶ **Antes de iniciar os trabalhos, verifique o local de trabalho relativamente a cabos eléctricos encobertos, bem como tubos de gás e água, por ex., com um detector de metais.** Partes metálicas externas da ferramenta podem transformar-se em condutores de corrente se, por ex., uma linha eléctrica for danificada inadvertidamente. Isto representa um sério perigo de choque eléctrico.

### Utilização e manutenção de baterias

- ▶ **Observe as regras específicas sobre transporte, armazenamento e utilização de baterias de iões de lítio.**



- ▶ **Mantenha as baterias afastadas de temperaturas elevadas e do fogo.** Existe risco de explosão.
- ▶ **As baterias não podem ser desmanteladas, esmagadas, aquecidas acima dos 80 °C (176 °F) ou incineradas.** Caso contrário, existe risco de incêndio, explosão ou queimaduras/corrosão.
- ▶ **Baterias danificadas (por ex., com fissuras, peças partidas, contactos dobrados, empurrados para trás e/ou puxados para fora) não podem ser carregadas nem continuar a ser utilizadas.**
- ▶ **Não utilize as baterias como fonte de energia para outros consumidores não especificados.**
- ▶ Se a bateria estiver demasiado quente ao toque, poderá estar com defeito. **Coloque a ferramenta num local que não constitua risco de incêndio, suficientemente afastado de materiais combustíveis, onde a bateria possa ser vigiada e deixe-a arrefecer. Contacte o Centro de Assistência Técnica Hilti, depois de a bateria ter arrefecido.**

#### 2.4 Normas de segurança adicionais da serra circular

- ▶ Conduza a serra circular manual contra a peça a cortar apenas quando ligada.
  - ▶ A linha de corte deve estar livre de obstáculos, tanto em cima como em baixo. Não serre parafusos, pregos ou semelhantes.
- ▶ Nunca trabalhe com uma serra circular em posição invertida.
- ▶ Nunca trave a serra circular por contrapressão lateral.
- ▶ Evite o sobreaquecimento das pontas dos dentes da serra.
- ▶ Para o material base a cortar, utilize sempre a respectiva lâmina de serra.
- ▶ Utilize apenas lâminas de serra recomendadas pela Hilti, que correspondam à norma EN 847-1.

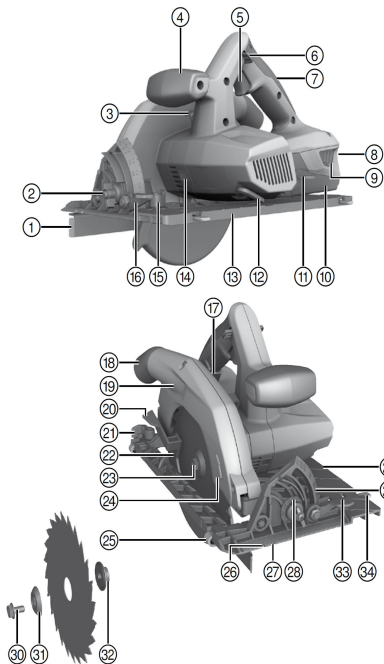
#### 2.5 Utilização e manutenção de baterias

- ▶ Observe as regras específicas sobre transporte, armazenamento e utilização de baterias de iões de lítio.
- ▶ Mantenha as baterias afastadas de temperaturas elevadas, radiação solar directa e fogo.
- ▶ As baterias não devem ser desmanteladas, esmagadas, aquecidas acima dos 80 °C (176 °F) ou incineradas.
- ▶ Não utilize ou carregue quaisquer baterias que tenham sofrido golpes, tenham caído de altura superior a um metro ou tenham sido danificadas de outra forma. Neste caso, contacte sempre o seu **Centro de Assistência Técnica Hilti**.
- ▶ Se a bateria estiver demasiado quente ao toque, poderá estar com defeito. Coloque a bateria num local com boa visibilidade que não constitua risco de incêndio, suficientemente afastado de materiais inflamáveis. Deixe a bateria arrefecer. Se, passado uma hora, a bateria ainda estiver demasiado quente ao toque, então está com defeito. Contacte o **Centro de Assistência Técnica Hilti**.



### 3 Descrição

#### 3.1 Vista geral do produto 1



- ① Encosto paralelo de um braço
- ② Pré-ajuste para ângulo de corte (22,5°, 45°, 50°)
- ③ Botão de bloqueio do veio
- ④ Punho adicional
- ⑤ Interruptor on/off
- ⑥ Dispositivo de aperto
- ⑦ Punho
- ⑧ Indicador do estado de carga e de avaria (bateria de íons de lítio)
- ⑨ Botões de destravamento com função adicional – activação do indicador do estado de carga
- ⑩ Bateria
- ⑪ Alavanca de aperto para regulação da profundidade de corte
- ⑫ Chave para sextavado interior
- ⑬ Placa base pequena
- ⑭ Luz de trabalho (LEDs)
- ⑮ Alavanca de aperto para encosto paralelo dianteiro
- ⑯ Alavanca de aperto para regulação do ângulo de corte
- ⑰ Escala de profundidades de corte
- ⑱ Bocal (canal das aparas)
- ⑲ Cobertura de protecção
- ⑳ Alavanca de comando para resguardo de disco pendular
- ㉑ Alavanca de aperto para encosto paralelo traseiro (apenas para placas base grandes)
- ㉒ Resguardo de disco pendular
- ㉓ Veio
- ㉔ Seta indicadora do sentido de rotação
- ㉕ Encosto paralelo de dois braços
- ㉖ Marcação de corte 0°
- ㉗ Marcação de corte 45°
- ㉘ Escala de ângulos de corte
- ㉙ Placa base grande
- ㉚ Parafuso de aperto
- ㉛ Flange de aperto
- ㉜ Flange de montagem
- ㉝ Marcação da ranhura 0° na placa base
- ㉞ Marcação da ranhura 1° - 50° na placa base

#### 3.2 Adaptador para trilho-guia 2

- ㉟ Nervuras de retenção traseiras
- ㊱ Nervura de retenção dianteira
- ㊲ Marcação da ranhura 0°
- ㊳ Marcação da ranhura 1° - 50°

#### 3.3 Utilização conforme a finalidade projectada

O produto descrito é uma serra circular a bateria. Destina-se a trabalhos de corte em madeira e derivados de madeira, plásticos, gesso cartonado, placas de fibrogesso e materiais compostos.



A serra circular manual está equipada com um bocal amovível para um aspirador/removedor de pó, dimensionado para tubos de aspirador usuais. Para ligar o tubo flexível do aspirador com a serra, poderá ser necessário um adaptador adequado.

- ▶ Não podem ser utilizadas lâminas de serra que não correspondem aos dados característicos indicados (por ex., diâmetro, velocidade de rotação, espessura), discos de corte e abrasivos assim como lâminas de serra de aço rápido (aço HSS). Não utilize esta ferramenta para cortar metais.
- ▶ Não utilize o produto para cortar ramos e troncos de árvore.
- ▶ Para este produto, utilize apenas as baterias de iões de lítio **Hilti** da série B 22.
- ▶ Para estas baterias, utilize apenas os carregadores **Hilti** da série C4/36.

### 3.4 Indicador da bateria de iões de lítio

O estado da carga da bateria de iões de lítio e as avarias da ferramenta são sinalizados através da indicação da bateria de iões de lítio. O estado de carga da bateria de iões de lítio é exibido depois de pressionado um dos dois botões de destravamento da bateria.

Estado	Significado
4 LED acendem.	Estado de carga: 75% a 100%
3 LED acendem.	Estado de carga: 50% a 75%
2 LED acendem.	Estado de carga: 25% a 50%
1 LED acende.	Estado de carga: 10% a 25%
1 LED pisca, o aparelho está pronto a funcionar.	Estado de carga: < 10%
1 LED pisca, o aparelho não está pronto a funcionar.	A bateria sobreaqueceu ou está totalmente descarregada.
4 LED piscam, o aparelho não está pronto a funcionar.	O aparelho está sobrecarregado ou sobreaquecido.



Com o interruptor on/off pressionado e até 5 segundos depois de o soltar, não é possível consultar o estado de carga.

Se os LED da indicação da bateria estiverem a piscar, leia as indicações no capítulo Ajuda em caso de avarias.

### 3.5 Encosto paralelo

O encosto paralelo de um braço permite executar cortes precisos ao longo de uma aresta da peça a cortar ou o corte de réguas com as mesmas dimensões.

O encosto paralelo pode ser montado de ambos os lados da placa base.

### 3.6 Incluído no fornecimento

Serra circular, lâmina de serra, chave para sextavado interior, encosto paralelo, bocal para aspirador, manual de instruções (opcional: adaptador para trilho-guia)



Poderá encontrar peças sobresselentes, consumíveis e acessórios aprovados por nós para o seu produto no seu **Hilti Store** ou em: [www.hilti.group](http://www.hilti.group).

### 3.7 Acessórios

Flange de aperto, flange de montagem, parafuso de aperto.

## 4 Características técnicas

### 4.1 Serra circular

	SC 70W-A22
Tensão nominal	21,6 V
Peso de acordo com o Procedimento EPTA 01	4,8 kg
Diâmetro prescrito das lâminas de serra	190 mm



	<b>SC 70W-A22</b>
<b>Espessura de raiz da lâmina</b>	0,7 mm ... 1,5 mm
<b>Largura de corte</b>	1,5 mm ... 2 mm
<b>Orifício de montagem da lâmina de serra</b>	30 mm
<b>Velocidade nominal de rotação sem carga</b>	3 500 rpm
<b>Máxima profundidade de corte 0°</b>	70 mm
<b>Máxima profundidade de corte 45°</b>	51 mm
<b>Máxima profundidade de corte 50°</b>	45 mm
<b>Ângulo de corte em meia-esquadria</b>	0° ... 50°
<b>Temperatura de funcionamento</b>	-10 °C ... 50 °C
<b>Temperatura de armazenagem (sem bateria)</b>	-30 °C ... 70 °C

## 4.2 Bateria

<b>Tensão de serviço da bateria</b>	21,6 V
<b>Temperatura ambiente durante o funcionamento</b>	-17 °C ... 60 °C
<b>Temperatura de armazenagem</b>	-20 °C ... 40 °C
<b>Temperatura da bateria no início do carregamento</b>	-10 °C ... 45 °C

## 4.3 Informação sobre o ruído e valores das vibrações determinados, em conformidade com a EN 62841

Os valores de pressão acústica e de vibração indicados nestas instruções foram medidos em conformidade com um processo de medição normalizado, podendo ser utilizados para a intercomparação de ferramentas eléctricas, sendo também apropriados para uma estimativa preliminar das exposições. Os dados indicados representam as aplicações principais da ferramenta eléctrica. No entanto, se a ferramenta eléctrica for utilizada para outras aplicações, com acessórios diferentes dos indicados ou devido a manutenção insuficiente, os dados podem diferir. Isso pode aumentar notoriamente as exposições durante todo o período de trabalho. Para uma avaliação exacta das exposições, também se devem considerar os períodos durante os quais a ferramenta está desligada ou, embora ligada, não esteja de facto a ser utilizada. Isso pode reduzir notoriamente as exposições durante todo o período de trabalho. Defina medidas de segurança adicionais para protecção do operador contra a acção do ruído e/ou de vibrações, como, por exemplo: manutenção da ferramenta eléctrica e dos acessórios, medidas para manter as mãos quentes, organização dos processos de trabalho.

### Valores de emissão de ruído determinados, em conformidade com EN 62841

	<b>SC 70W-A22</b>
<b>Nível de emissão sonora (<math>L_{WA}</math>)</b>	103 dB(A)
<b>Incerteza do nível de emissão sonora (<math>K_{WA}</math>)</b>	3 dB(A)
<b>Nível de pressão da emissão sonora (<math>L_{pA}</math>)</b>	92 dB(A)
<b>Incerteza do nível de pressão da emissão sonora (<math>K_{pA}</math>)</b>	3 dB(A)

Valor total das vibrações (soma vectorial de três direcções), determinado de acordo com a norma EN 62841

	<b>SC 70W-A22</b>
<b>Valor da emissão de vibração ao serrar em madeira (<math>A_{h, w}</math>)</b>	0,93 m/s <sup>2</sup>
<b>Incerteza (K)</b>	1,5 m/s <sup>2</sup>

## 5 Utilização

### 5.1 Preparação do trabalho

#### 5.1.1 Carregar a bateria

1. Antes de carregar, leia o manual de instruções do carregador.
2. Certifique-se de que os contactos da bateria e do carregador estão limpos e secos.
3. Carregue a bateria num carregador aprovado. 38



### 5.1.2 Colocar a bateria

#### AVISO

#### Risco de ferimentos devido a curto-circuito ou queda da bateria!

- ▶ Antes de encaixar a bateria, certifique-se de que os contactos da bateria e os contactos no produto estão livres de corpos estranhos.
  - ▶ Certifique-se de que a bateria engata sempre correctamente.
- 
1. A bateria deve ser completamente carregada antes da primeira utilização.
  2. Introduza a bateria no produto até engatar de forma audível.
  3. Verifique se a bateria está correctamente encaixada.

### 5.1.3 Retirar a bateria

1. Pressione os botões de destravamento da bateria.
2. Puxe a bateria para fora da ferramenta.

### 5.1.4 Desmontar a lâmina de serra

#### AVISO

#### Risco de queimaduras e corte na lâmina de serra, parafuso e flange de aperto

As consequências podem ser queimaduras e cortes.

- ▶ Use luvas de protecção para a troca do acessório.
- 
1. Retire a bateria.
  2. Aplique a chave para sextavado interior no parafuso de aperto para a lâmina de serra.
  3. Pressione o botão de bloqueio do veio e mantenha-o pressionado.
  4. Com a chave para sextavado interior, rode o parafuso de aperto para a lâmina de serra até o botão de bloqueio do veio engatar completamente.
  5. Solte o parafuso de aperto com a chave para sextavado interior, rodando no sentido da seta indicadora do sentido de rotação.
  6. Retire o parafuso de aperto e a flange de aperto exterior.
  7. Abra o resguardo de disco pendular afastando-o para o lado e remova a lâmina de serra.



Em caso de necessidade, a flange de montagem pode ser retirada para ser limpa.

### 5.1.5 Montar a lâmina de serra

#### CUIDADO

#### Perigo de danos! Lâminas de serra inadequadas ou incorrectamente inseridas podem danificar a serra.

- ▶ Utilize somente lâminas de serra adequadas para esta serra. Respeite o sentido de rotação indicado pela seta na lâmina de serra.
  - ▶ Utilize apenas lâminas de serra cuja velocidade de rotação permitida seja, no mínimo, tão alta quanto o número máximo de rotações indicado no produto.
- 



**Assegure-se de que a lâmina de serra a fixar corresponde aos requisitos técnicos e que está afiada.** Uma lâmina de serra afiada é condição essencial para uma ranhura de corte perfeita.

1. Retire a bateria.
2. Limpe as flanges de montagem e de aperto.
3. Encaixe a flange de montagem com a orientação correcta no veio de accionamento.
4. Abra o resguardo de disco pendular.
5. Coloque a lâmina de serra nova.
6. Encaixe a flange de aperto exterior na orientação correcta.
7. Coloque o parafuso de aperto.
8. Aplique a chave para sextavado interior no parafuso de aperto para a lâmina de serra.
9. Pressione o botão de bloqueio do veio.



10. Fixe a flange de aperto com o parafuso de aperto rodando a chave para sextavado interior no sentido contrário ao da seta indicadora do sentido de rotação.
  - ▶ O botão de bloqueio do veio engata.
11. Verifique se a lâmina de serra está firme e correctamente apertada antes da primeira utilização.

### 5.1.6 Ajustar a profundidade de corte

1. Retire a bateria.
2. Solte a alavanca de aperto da regulação da profundidade de corte.
3. Levante o produto com um movimento tipo tesoura e ajuste a profundidade de corte, apertando bem a alavanca de aperto.



A profundidade de corte ajustada deveria sempre ser seleccionada cerca de 5 a 10 mm superior à espessura do material a serrar.

A profundidade ajustada pode ser lida na escala graduada e no ponteiro aplicados na parte de trás do resguardo de disco.

### 5.1.7 Ajustar o ângulo de corte

1. Retire a bateria.
2. Solte a alavanca de aperto da regulação do ângulo de corte.
3. Incline o produto para a posição pretendida.



O pré-ajuste do ângulo de corte permite ajustar de forma simples os ângulos máximos 22,5°/45°/50°

4. Aperte bem a alavanca de aperto da regulação do ângulo de corte.

### 5.1.8 Serrar pelo traçado



Na parte dianteira da placa base da serra circular encontra-se um indicador de traçar (0° e 45°), tanto para cortes a direito como para cortes enviesados. Com o qual é possível efectuar um corte preciso, consoante o ângulo de corte seleccionado. A aresta do traçado corresponde à face interior da lâmina de serra. Um indicador de traçar adicional encontra-se no recorte anterior para a lâmina de serra.



Fixe a peça a cortar para que não deslize.

Coloque a peça a cortar de modo que a lâmina de serra se possa mover livremente por baixo da peça a cortar.

Assegure-se de que o interruptor on/off no produto está desligado.

Coloque o produto com a placa base sobre a peça a cortar de modo que a lâmina de serra ainda não toque na peça a cortar.

1. Coloque a bateria.
2. Ligue o produto, com o dispositivo de bloqueio pressionado, pressionando o interruptor on/off.
3. Conduza o produto com uma velocidade de trabalho adequada ao longo do traçado da peça a cortar.

### 5.1.9 Montar/ajustar o encosto paralelo

1. Retire a bateria.
2. Enrosque o parafuso de aperto na placa base, de modo a que ainda fique espaço suficiente para fazer passar o encosto paralelo.
3. Empurre a guia do encosto paralelo por baixo do parafuso de aperto.
4. Ajuste a largura de corte pretendida.
5. Aperte bem o parafuso de aperto.



O encosto paralelo (de um braço/dois braços) pode ser montado de ambos os lados da placa base. O encosto paralelo de dois braços só é utilizável em placas base grandes

O encosto paralelo permite executar cortes precisos ao longo de uma aresta da peça a cortar ou o corte de régua com as mesmas dimensões.





### 5.1.10 Montagem do adaptador para trilho-guia



A serra pode ser equipada com um adaptador para trilho-guia disponível como acessório. Ao serrar com placa base pequena, utilize um adaptador para trilho-guia adequado ao trilho-guia.

1. Retire a bateria.
2. Retire um encosto paralelo eventualmente montado.
3. Insira a placa base nas nervuras de retenção laterais do adaptador para trilho-guia.
4. Insira a placa base completamente no adaptador para trilho-guia.
5. Feche o adaptador para trilho-guia, pressionando ambas as corrediças até ao encosto.

## 5.2 Trabalho

### 5.2.1 Ligar

- ▶ Ligue o produto, com o dispositivo de bloqueio pressionado, pressionando o interruptor on/off.

### 5.2.2 Desligar

- ▶ Pare a ferramenta soltando o interruptor on/off.

### 5.2.3 Cortes longitudinais com ângulo de 0°

1. Coloque a serra circular com a marcação da ranhura "0°" sobre a nervura do trilho-guia.
2. Ligue o produto, com o dispositivo de bloqueio pressionado, pressionando o interruptor on/off.
3. Conduza o produto com uma velocidade de trabalho adequada ao longo do trilho, através da peça a cortar.

### 5.2.4 Cortes longitudinais com ângulos até 50°

1. Ajuste o ângulo.



#### AVISO

**Perigo de colisão em caso de corte enviesado!** Colisões da lâmina de serra com o trilho-guia.

- ▶ Coloque a serra com a ranhura certa sobre a nervura do trilho-guia. Caso contrário, haverá colisão entre a lâmina de serra e o trilho-guia.

2. Coloque a serra com a marcação da ranhura "1°-50°" sobre a nervura do trilho-guia.
3. Ligue o produto, com o dispositivo de bloqueio pressionado, pressionando o interruptor on/off.
4. Conduza o produto com uma velocidade de trabalho adequada ao longo do trilho, através da peça a cortar.

### 5.2.5 Criar cortes angulares planos

1. Coloque o trilho-guia com o ponto zero sobre a aresta da peça a cortar e rode-o até o ângulo pretendido na escala de ângulos e o ponto zero estejam alinhados frente a frente. O ângulo de corte indicado corresponde ao desvio angular entre o corte e o corte a direito, em esquadria.
2. Fixe o trilho-guia com os dois sargentos.
3. Coloque a serra circular com a marcação da ranhura "0°" sobre a nervura do trilho-guia.
4. Ligue o produto, com o dispositivo de bloqueio pressionado, pressionando o interruptor on/off.
5. Conduza o produto com uma velocidade de trabalho adequada ao longo do trilho, através da peça a cortar.

### 5.2.6 Serrar sem sistema de aspiração das aparas

1. Assegure-se de que as aparas são ejectadas livremente.
2. Em caso de necessidade, o bocal pode ser retirado do resguardo de disco, depois de se soltar o parafuso de sextavado interior com a chave para sextavado interior que se encontra no produto.

## 6 Conservação e manutenção



#### AVISO

**Risco de lesão com a bateria encaixada !**

- ▶ Retire sempre a bateria antes de todos os trabalhos de conservação e manutenção!



### Conservação do produto

- Remova sujidade persistente com cuidado.
- Se existente, limpe as saídas de ar cuidadosamente com uma escova seca e macia.
- Limpe a carcaça apenas com um pano ligeiramente húmido. Não utilize produtos de conservação que contenham silicone, uma vez que estes podem danificar os componentes de plástico.
- Utilize um pano limpo e seco, para limpar os contactos do produto.

### Conservação das baterias de iões de lítio

- Nunca utilize uma bateria com as saídas de ar obstruídas. Limpe as saídas de ar cuidadosamente com uma escova seca e macia.
- Evite que a bateria seja exposta desnecessariamente a pó ou sujidade. Nunca exponha a bateria a humidade elevada (por ex., mergulhar em água ou deixar à chuva). Se uma bateria tiver ficado encharcada, trate-a como uma bateria danificada. Isole-a num recipiente não inflamável e contacte o Centro de Assistência Técnica **Hilti**.
- Mantenha a bateria sem resíduos de óleo e massa consistente externos. Não permita que se acumule desnecessariamente pó ou sujidade sobre a bateria. Limpe a bateria com uma escova seca e macia ou um pano limpo e seco. Não utilize produtos de conservação que contenham silicone, uma vez que estes podem danificar os componentes de plástico.  
Não toque nos contactos da bateria nem remova dos contactos a massa consistente aplicada de fábrica.
- Limpe a carcaça apenas com um pano ligeiramente húmido. Não utilize produtos de conservação que contenham silicone, uma vez que estes podem danificar os componentes de plástico.

### Manutenção



#### AVISO

**Perigo devido a choque eléctrico!** Reparações incorrectas em peças eléctricas podem causar ferimentos e queimaduras graves.

- ▶ As reparações na parte eléctrica apenas podem ser executadas por um electricista especializado.
- Verifique, regularmente, todos os componentes visíveis quanto a danos e os comandos operativos quanto a funcionamento perfeito.
- Não opere o produto se existirem danos e/ou perturbações de funcionamento. Mandar reparar o produto imediatamente no Centro de Assistência Técnica **Hilti**.
- Após os trabalhos de conservação e manutenção, aplique todos os dispositivos de protecção e verifique se funcionam correctamente.



a garantir um funcionamento seguro utilize apenas peças sobresselentes, consumíveis e acessórios originais. Poderá encontrar peças sobresselentes, consumíveis e acessórios aprovados pela **Hilti** para o seu produto na sua **Hilti Store** ou em: **www.hilti.group**

## 6.1 Limpeza dos dispositivos de protecção

1. Para limpeza do dispositivo de protecção, retire a lâmina de serra.
2. Limpe os dispositivos de protecção cuidadosamente com uma escova seca.
3. Remova com uma ferramenta adequada depósitos e aparas no interior dos dispositivos de protecção.
4. Monte a lâmina de serra.

## 6.2 Passos de trabalho caso o canal das aparas fique obstruído

1. Retire a bateria.
2. Limpe o canal das aparas.



Eventualmente, a lâmina de serra terá de ser desmontada. 41

3. Verifique se as partes móveis da ferramenta funcionam perfeitamente e não emperram, se há peças quebradas ou danificadas, que possam influenciar o funcionamento do produto.

## 6.3 Verificação do aparelho após manutenção



Verifique após o trabalho de conservação e manutenção se todos os dispositivos de protecção estão encaixados e se funcionam em perfeitas condições.



- ▶ Para verificação do resguardo de disco pendular, abra-o totalmente accionando a alavanca de comando.
  - ▶ Depois de soltar a alavanca de comando, o resguardo de disco pendular deve fechar rápida e totalmente.

## 7 Transporte e armazenamento

### Transporte de ferramentas a bateria e baterias

#### CUIDADO

#### Arranque inadvertido durante o transporte !

- ▶ Transporte os seus produtos sempre sem as baterias colocadas!
- ▶ Retire a/as bateria(s).
- ▶ Nunca transporte as baterias sem embalagem. Durante o transporte, as baterias devem ser protegidas contra impactos e vibrações excessivos e isoladas de quaisquer materiais condutores ou outras baterias, para que não entrem em contacto com os pólos de outras baterias e causem um curto-circuito. **Observe as suas normas de transporte locais para baterias.**
- ▶ As baterias não devem ser enviadas por correio. Quando pretender enviar baterias não danificadas, contacte uma empresa transportadora.
- ▶ Verifique o produto e as baterias quanto a danos antes de cada utilização, bem como antes e depois de longos períodos de transporte.

### Armazenamento de ferramentas a bateria e baterias

#### AVISO

#### Dano accidental devido a baterias com defeito ou a perderem líquido !

- ▶ Armazene os seus produtos sempre sem as baterias colocadas!
- ▶ Guarde o produto e as baterias em lugar fresco e seco. Tenha em atenção os valores limite de temperatura, que estão indicados nas Características técnicas.
- ▶ Não guarde as baterias no carregador. Após o processo de carregamento, retire sempre a bateria do carregador.
- ▶ Nunca armazene as baterias em locais sujeitos a exposição solar, em cima de fontes de calor ou por trás de um vidro.
- ▶ Guarde o produto e as baterias fora do alcance das crianças e das pessoas não autorizadas.
- ▶ Verifique o produto e as baterias quanto a danos antes de cada utilização, bem como antes e depois de longos períodos de armazenamento.

## 8 Ajuda em caso de avarias

- ▶ No caso de avarias que não sejam mencionadas nesta tabela ou se não conseguir resolvê-las por si mesmo, contacte o nosso Centro de Assistência Técnica **Hilti**.

### 8.1 Serra circular não está operacional

Avaria	Causa possível	Solução
Os LED não indicam nada.	A bateria não está completamente encaixada.	▶ Coloque a bateria.
	Bateria descarregada.	▶ Carregue a bateria.
	Bateria demasiado quente ou demasiado fria.	▶ Deixe que a bateria atinja a temperatura ambiente correcta.
1 LED pisca.	Bateria descarregada.	▶ Carregue a bateria.
	Bateria demasiado quente ou demasiado fria.	▶ Deixe que a bateria atinja a temperatura ambiente correcta.
Piscam 4 LED.	Serra circular temporariamente sobrecarregada.	▶ Largue o interruptor on/off e volte a accioná-lo.
	Disjuntor térmico.	▶ Deixe a serra circular arrefecer e limpe as saídas de ar.



## 8.2 Serra circular está operacional

Avaria	Causa possível	Solução
Não é possível pressionar o interruptor on/off (está bloqueado).	Nenhuma avaria (função de segurança).	▶ Prima o dispositivo de bloqueio.
A velocidade diminui repentinamente de forma considerável.	Bateria descarregada.	▶ Carregue a bateria.
	Força de avanço excessiva.	▶ Reduza a força de avanço e volte a ligar o produto.
As aparas não são transportadas para o colector de aparas e caem em cima da placa base.	Colector de aparas cheio.	▶ Esvazie o colector de aparas.
	Canal das aparas obstruído.	▶ Limpe o canal das aparas. 44
Lâmina de serra pára.	Força de avanço excessiva.	▶ Reduza a força de avanço e volte a ligar o produto.
A bateria descarrega-se mais depressa do que habitualmente.	O estado da bateria não é o ideal.	▶ Substitua a bateria.
A bateria não encaixa com duplo clique audível.	Sujidade nos encaixes da bateria.	▶ Limpe as patilhas de fixação e encaixar a bateria. Contacte um Centro de Assistência Técnica <b>Hilti</b> caso o problema se mantenha.
A serra circular ou a bateria aquece demasiado.	Avaria eléctrica	▶ Desligue imediatamente a serra circular. Retire a bateria e observe-a. Deixe a bateria arrefecer. Contacte um Centro de Assistência Técnica <b>Hilti</b> .
	Sobrecarga por ter excedido os limites do produto.	▶ Seleccione uma ferramenta correcta em função da utilização.
A serra vibra muito	Lâmina de serra montada incorrectamente	▶ Monte a lâmina de serra correctamente. 41

## 9 Reciclagem

### AVISO

**Perigo de ferimentos devido a eliminação incorrecta!** Riscos para a saúde devido à fuga de gases ou líquidos.

- ▶ Não envie quaisquer baterias danificadas!
- ▶ Para evitar curto-circuitos, cubra as conexões com um material não condutor.
- ▶ Elimine as baterias de modo a mantê-las longe do alcance das crianças.
- ▶ Efectue a reciclagem da bateria na sua **Hilti Store** ou entre em contacto com a empresa de recolha de lixo responsável.

Os produtos **Hilti** são, em grande parte, fabricados com materiais recicláveis. Um pré-requisito para a reciclagem é que esses materiais sejam devidamente separados. Em muitos países, a **Hilti** aceita o seu aparelho usado para reaproveitamento. Para mais informações, dirija-se ao Serviço de Clientes **Hilti** ou ao seu vendedor.



- ▶ Não deite as ferramentas eléctricas, aparelhos electrónicos e baterias no lixo doméstico!

## 10 RoHS (directiva relativa à limitação de utilização de substâncias perigosas)

Na seguinte hiperligação encontra a tabela Substâncias perigosas: [qr.hilti.com/r2937785](http://qr.hilti.com/r2937785).

Na parte final desta documentação encontra sob a forma de código QR uma hiperligação para a tabela RoHS.



## 11 Garantia do fabricante

- ▶ Se tiver dúvidas em relação às condições de garantia, contacte o seu parceiro **Hilti** local.

## Original brugsanvisning

### 1 Om brugsanvisningen

#### 1.1 Om denne brugsanvisning

- Læs brugsanvisningen grundigt igennem inden ibrugtagning. Det er en forudsætning for sikkert arbejde og korrekt håndtering.
- Følg sikkerhedsanvisningerne og advarslerne i denne brugsanvisning og på produktet.
- Opbevar altid brugsanvisningen sammen med produktet, og overdrag kun produktet til andre personer sammen med denne brugsanvisning.

#### 1.2 Tegnforklaring

##### 1.2.1 Advarsler

Advarsler advarer mod farer ved håndtering af produktet. Følgende signalord anvendes:



**FARE**

**FARE !**

- ▶ Betegner en umiddelbart truende fare, der kan medføre alvorlige kvæstelser eller døden.



**ADVARSEL**

**ADVARSEL !**

- ▶ Står ved en potentielt truende fare, der kan medføre alvorlige kvæstelser eller døden.



**FORSIGTIG**

**FORSIGTIG !**

- ▶ Advarer om en potentielt farlig situation, der kan forårsage personskader eller materielle skader.

##### 1.2.2 Symboler i brugsanvisningen

Der benyttes følgende symboler i denne brugsanvisning:

	Se brugsanvisningen
	Anvisninger for anvendelse og andre nyttige oplysninger
	Håndtering af genvindbare materialer
	Elektriske maskiner og batterier må ikke bortskaffes som almindeligt husholdningsaffald
	<b>Hilti</b> lithium-ion-batteri
	<b>Hilti</b> Lader

##### 1.2.3 Symboler i illustrationer

Følgende symboler anvendes på illustrationer:

<b>2</b>	Disse tal henviser til den pågældende illustration i begyndelsen af denne brugsanvisning.
<b>3</b>	Nummereringen i illustrationerne henviser til vigtige arbejdsstrin eller for arbejdsstrin til vigtige komponenter. I teksten fremhæves disse arbejdsstrin eller komponenter med tilhørende numre, f.eks. <b>(3)</b> .
<b>11</b>	Positionsnumre anvendes i illustrationen <b>Oversigt</b> og refererer til tallene i symbolforklaringen i afsnittet <b>Produktoversigt</b> .





Dette symbol skal sikre skærpet opmærksomhed ved omgang med produktet.

### 1.3 Produktspecifikke symboler

#### 1.3.1 Symboler

Følgende symboler kan forekomme på produktet:

$n_0$	Nominelt omdrejningstal, ubelastet
---	Jævnstrøm
RPM	Omdrejning pr. minut
$\emptyset$	Diameter
	Savklinge
	Produktet understøtter trådløs dataoverførsel, som er kompatibel med iOS- og Android-platteforme.
Li-Ion	Lithium-ion-batteri
	Anvendt <b>Hilti</b> lithium-ion-batteriserie. Overhold oplysningerne i kapitlet <b>Tilsigtet anvendelse</b> .
	Brug aldrig batteriet som slagværktøj.
	Lad ikke batteriet falde på gulvet. Brug ikke et batteri, der har fået et slag eller på anden vis er beskadiget.

### 1.4 Produktoplysninger

**HILTI**-produkter er beregnet til professionel brug og må kun betjenes, efterses og vedligeholdes af autoriseret og instrueret personale. Dette personale skal i særdeleshed informeres om de potentielle farer, der er forbundet med anvendelsen af denne maskine. Der kan opstå farlige situationer ved anvendelse af produktet og det tilhørende udstyr, hvis det anvendes af personer, der ikke er blevet undervist i dens brug, eller hvis det ikke anvendes korrekt i henhold til forskrifterne i denne brugsanvisning.

Typebetegnelse og serienummer fremgår af typeskiltet.

- ▶ Notér serienummeret i den efterfølgende tabel. Du skal bruge produktoplysningerne ved henvendelser til vores lokale afdeling eller vores serviceværksted.

#### Produktoplysninger

Rundsav	SC 70W-A22
Generation	01
Serienummer	

### 1.5 Overensstemmelseserklæring

Vi erklærer som eneansvarlige, at det beskrevne produkt er i overensstemmelse med gældende direktiver og standarder. Sidst i dette dokument finder du et billede af overensstemmelseserklæringen.

Den tekniske dokumentation er arkiveret her:

**Hilti** Entwicklungsgesellschaft mbH | Zulassung Geräte | Hiltistraße 6 | 86916 Kaufering, DE

## 2 Sikkerhed

### 2.1 Generelle sikkerhedsanvisninger for elværktøj

**⚠ ADVARSEL Læs alle sikkerhedsanvisninger, henvisninger, billedtekster og tekniske data på elværktøjet.** Hvis følgende anvisninger ikke overholdes, er der risiko for elektrisk stød, brand og/eller alvorlige personskader.

**Opbevar alle sikkerhedsanvisninger og instruktioner til senere brug.**



Det benyttede begreb "elværktøj" i sikkerhedsanvisningerne refererer til elektriske maskiner (med netledning) eller batteridrevne maskiner (uden netledning).

### Arbejdspladssikkerhed

- ▶ **Sørg for at holde arbejdsområdet ryddeligt og godt oplyst.** Uorden eller uoplyste arbejdsområder øger faren for uheld.
- ▶ **Brug ikke elværktøj i eksplosionstruede omgivelser, hvor der er brændbare væsker, gasser eller støv.** Elværktøj kan slå gnister, der kan antænde støv eller dampe.
- ▶ **Sørg for, at andre personer og ikke mindst børn holdes væk fra arbejdsområdet, når elværktøjet er i brug.** Hvis man distraheres, kan man miste kontrollen over maskinen.

### Elektrisk sikkerhed

- ▶ **Elværktøjets stik skal passe til kontakten. Stikket må under ingen omstændigheder ændres. Brug ikke adapterstik sammen med jordforbundne elværktøj.** Uændrede stik, der passer til kontakterne, nedsætter risikoen for elektrisk stød.
- ▶ **Undgå kropskontakt med jordforbundne overflader som f.eks. rør, radiatorer, komfurer og køleskabe.** Hvis din krop er jordforbundet, øges risikoen for elektrisk stød.
- ▶ **Elværktøj må ikke udsættes for regn eller fugt.** Indtrængning af vand i elværktøj øger risikoen for elektrisk stød.
- ▶ **Brug ikke ledningen til formål, den ikke er beregnet til (f.eks. må man aldrig bære elværktøjet i ledningen, hænge det op i ledningen eller rykke i ledningen for at trække stikket ud af kontakten). Beskyt ledningen mod varme, olie, skarpe kanter eller dele, der er i bevægelse.** Beskadigede eller sammenviklede ledninger øger risikoen for elektrisk stød.
- ▶ **Hvis elværktøjet benyttes i det fri, må der kun benyttes en forlængerledning, der er egnet til udendørs brug.** Brug af forlængerledning til udendørs brug nedsætter risikoen for elektrisk stød.
- ▶ **Hvis det ikke kan undgås at anvende elværktøjet i fugtige omgivelser, skal du anvende et fejlstrømsrelæ.** Anvendelsen af et fejlstrømsrelæ nedsætter risikoen for et elektrisk stød.

### Personlig sikkerhed

- ▶ **Det er vigtigt at være opmærksom, se, hvad man laver, og bruge maskinen fornuftigt. Anvend aldrig elværktøj, hvis du er træt eller påvirket af stoffer, alkohol eller medicin.** Et øjeblik uopmærksomhed under brugen af elværktøjet kan medføre alvorlige personskader.
- ▶ **Brug beskyttelsesudstyr, og hav altid beskyttelsesbriller på.** Brug af sikkerhedsudstyr som f.eks. støvmaske, skridsikkert fodtøj, beskyttelseshjelm eller høreværn afhængigt af elværktøjets type og anvendelse nedsætter risikoen for personskader.
- ▶ **Undgå utilsigtet igangsætning. Kontrollér, at elværktøjet er frakoblet, før du slutter det til strømforsyningen og/eller batteriet, tager det op eller transporterer det.** Undgå at bære elværktøjet med fingeren på afbryderen, og sørg for, at det ikke er tændt, når det slutes til nettet, da dette øger risikoen for personskader.
- ▶ **Fjern indstillingsværktøj eller skruenøgler, inden elværktøjet tændes.** Hvis et stykke værktøj eller en nøgle sidder i en roterende maskindel, er der risiko for personskader.
- ▶ **Undgå at arbejde i unormale kropstillinger. Sørg for at stå sikkert, mens der arbejdes, og kom ikke ud af balance.** Det er derved nemmere at kontrollere elværktøjet, hvis der skulle opstå uventede situationer.
- ▶ **Brug egnet arbejdstøj. Undgå løse beklædningsgenstande eller smykker. Hold hår, tøj og handsker væk fra dele, der bevæger sig.** Dele, der er i bevægelse, kan gribe fat i løstsiddende tøj, smykker eller langt hår.
- ▶ **Hvis støvudsugnings- og opsamlingsudstyr kan monteres, er det vigtigt, at dette tilsluttes og benyttes korrekt.** Ved at anvende en støvudsugning er det muligt at nedsætte risikoen som følge af støv.
- ▶ **Man må ikke ignorere sikkerhedsreglerne for elværktøj, heller ikke selvom man er fortrolig med brugen af elværktøjet.** Uagtsomhed kan medføre alvorlig tilskadekomst inden for få sekunder.

### Anvendelse og pleje af elværktøjet

- ▶ **Undgå at overbelaste maskinen. Brug altid en maskine, der er beregnet til det stykke arbejde, der skal udføres.** Med det rigtige værktøj arbejder man bedst og mest sikkert inden for det angivne effektområde.
- ▶ **Brug ikke elværktøj, hvis afbryderen er defekt.** En maskine, der ikke kan startes og stoppes, er farlig og skal repareres.
- ▶ **Træk stikket ud af stikkontakten, og/eller fjern batteriet fra maskinen, inden du foretager indstillinger på den, skifter tilbehør og dele eller lægger den til side.** Disse sikkerhedsforanstaltninger forhindrer utilsigtet start af elværktøjet.



- ▶ **Opbevar ubenyttede elværktøjer uden for børns rækkevidde. Lad aldrig personer, der ikke er fortrolige med maskinen eller ikke har gennemlæst sikkerhedsanvisningerne, benytte denne.** Elværktøj er farligt, hvis det benyttes af ukyndige personer.
- ▶ **Sørg for at pleje elværktøj omhyggeligt. Kontrollér, om bevægelige dele fungerer korrekt og ikke sidder fast, og om delene er brækket eller beskadiget, således at elværktøjets funktion påvirkes. Få beskadigede dele repareret, inden elværktøjet tages i brug.** Mange uheld skyldes dårligt vedligeholdte elværktøjer.
- ▶ **Sørg for, at skæreværktøjer er skarpe og rene.** Omhyggeligt vedligeholdte skæreværktøjer med skarpe skærekanter sætter sig ikke så hurtigt fast og er nemmere at føre.
- ▶ **Anvend elværktøj, tilbehør, indsatsværktøj osv. i overensstemmelse med disse anvisninger. Tag hensyn til arbejdsforholdene og det arbejde, der skal udføres.** I tilfælde af anvendelse af maskinen til formål, som ligger uden for det fastsatte anvendelsesområde, kan der opstå farlige situationer.
- ▶ **Sørg for, at greb og gribeblader er tørre, rene og fri for olie og fedt.** Glatte greb og gribeblader gør betjeningen usikker, og det kan være svært at styre elværktøjet i uforudsete situationer.

#### Anvendelse og pleje af batteridrevet elværktøj

- ▶ **Oplad kun batterier i ladere, der er anbefalet af fabrikanten.** Der er risiko for brand, hvis en lader, der er beregnet til et bestemt batteri, anvendes til opladning af en anden batteritype.
- ▶ **Brug kun de batterier, der er beregnet til elværktøjet.** Brug af andre batterier øger risikoen for personskader og er forbundet med brandfare.
- ▶ **Ikke benyttede batterier må ikke komme i berøring med kontorclips, mønter, nøgler, søm, skruer eller andre små metalgenstande, da disse kan kortslutte kontakterne.** En kortslutning mellem batterikontakterne øger risikoen for personskader i form af forbrændinger.
- ▶ **Hvis batteriet anvendes forkert, kan der løbe væske ud af batteriet. Undgå at komme i kontakt med denne væske. Hvis det alligevel skulle ske, skylles med vand. Søg læge, hvis væsken kommer i øjnene.** Batterivæske kan give hudirritation eller forbrændinger.
- ▶ **Brug aldrig et beskadiget eller ændret batteri.** Beskadigede eller ændrede batterier kan virke utilsigtet og medføre brand, eksplosion eller risiko for tilskadekomst.
- ▶ **Batterier må ikke udsættes for åben ild eller høje temperaturer.** Ild eller temperaturer over 130 °C (265 °F) kan medføre eksplosion.
- ▶ **Følg alle anvisninger vedrørende opladning, og oplad aldrig batteriet eller det batteridrevne værktøj uden for det temperaturområde, der er anført i betjeningsvejledningen.** Forkert opladning eller opladning uden for det tilladte temperaturområde kan ødelægge batteriet og øge risikoen for brand.

#### Service

- ▶ **Sørg for, at elværktøjet kun reparerer af kvalificerede fagfolk, og at der altid benyttes originale reservedele.** Dermed sikres størst mulig elværktøjsikkerhed.
- ▶ **Forsøg aldrig at reparere beskadigede batterier.** Al vedligeholdelse af batterier skal foretages af producenten eller af autoriserede forhandlere.

## 2.2 Sikkerhedsanvisninger for alle save

### Savemetode

- ▶ **⚠ FARE! Hold hænderne væk fra saveområdet og savklingen. Hold fast på ekstragrebet eller motorhuset med den anden hånd.** Hvis du bruger begge hænder til at holde save, kommer du ikke til skade med hænderne på savklingen.
- ▶ **Tag ikke fat under emnet.** Beskyttelsesafsækkningen yder dig ikke beskyttelse mod savklingen under emnet.
- ▶ **Tilpas skæredybden til emnets tykkelse.** Der må højst kunne ses en fuld tandhøjde under emnet.
- ▶ **Hold aldrig emnet i hånden eller over et ben. Fastgør emnet på en stabil holder.** Det er vigtigt, at emnet fastgøres ordentligt for at minimere faren for kropskontakt, klemning af savklingen eller tab af kontrol over save.
- ▶ **Hold kun elværktøjet på de isolerede grebsflader, når du udfører opgaver, hvor indsatsværktøjet kan ramme skjulte elledninger eller maskinens eget netkabel.** Ved kontakt med en spændingsførende ledning sættes også elværktøjets metaldele under spænding, hvilket kan medføre elektrisk stød.
- ▶ **Ved savning på langs skal du altid anvende et anslag eller et lige kantstyr.** Dette forbedrer savøjagtigheden og nedsætter muligheden for klemning af savklingen.
- ▶ **Anvend altid savklinger i den rigtige størrelse og med passende savklingeboring, f.eks. stjerneformet eller rund.** Savklinger, som ikke passer til savens monteringsdele, kører ujævnt og medfører, at du taber kontrollen over save.





- ▶ **Anvend aldrig beskadigede eller forkerte savklingeunderlagsskiver eller -skruer.** Savklingeunderlagsskiverne og -skruerne er konstrueret specielt til saven med henblik på en optimal ydelse og driftssikkerhed.

#### Tilbageslag - årsager og tilsvarende sikkerhedsanvisninger

- Et tilbageslag er en pludselig reaktion som følge af en fattsiddende, fastklemt eller forkert justeret savklinge, som medfører, at en ukontrolleret sav kravler op af savsporet og bevæger sig i retning af brugeren;
- Hvis savklingen kommer til at hænge fast eller klemmes fast i et savspor, som lukkes sammen, blokeres den, og motorkraften slår saven tilbage i retning af brugeren;
- Hvis savklingen drejes eller vendes forkert i savsporet, kan tænderne på savklingens bageste kant sætte sig fast i emnet, så savklingen kravler op af savsporet, og saven springer tilbage mod brugeren.

Et tilbageslag er resultatet af ukorrekt eller fejlagtig brug af saven. Det kan forhindres ved at træffe passende forholdsregler som beskrevet i det følgende.

- ▶ **Hold saven fast med begge hænder, og anbring dine arme i en position, hvor du kan absorbere tilbageslagskræfterne. Hold dig altid på siden af savklingen, anbring aldrig kroppen på linje med savklingen.** I tilfælde af et tilbageslag kan rundsaven springe baglæns, men brugeren kan dog beherske tilbageslagskræfterne, hvis der træffes egnede foranstaltninger.
- ▶ **Hvis savklingen sætter sig fast, eller du afbryder arbejdet, skal du slukke saven og holde den stille i materialet, indtil saven står helt stille. Forsøg aldrig at tage saven ud af emnet eller trække den baglæns, så længe savklingen bevæger sig, da der ellers er risiko for et tilbageslag.** Find og afhjælp årsagen til fastklemningen af savklingen.
- ▶ **Hvis du vil starte en sav, som befinder sig i et emne, skal du centrere savklingen i savsporet og kontrollere, at savtænderne ikke sidder fast i emnet.** Hvis savklingen er fastklemt, kan den bevæge sig ud af emnet eller medføre et tilbageslag, hvis saven startes igen.
- ▶ **Understøt store plader for at reducere risikoen for et tilbageslag som følge af en fastklemt savklinge.** Store plader kan bøje nedad som følge af deres egen vægt. Plader skal understøttes i begge sider, både i nærheden af savsporet og i kanterne.
- ▶ **Anvend ikke sløve eller beskadigede savklinger.** Savklinger med sløve eller forkert justerede tænder medfører som følge af et for smalt savspor en højere friktion, fastklemning af savklingen og tilbageslag.
- ▶ **Spænd skæredybde- og skærevinkelindstillingerne fast før savning.** Hvis indstillingerne ændrer sig under savningen, kan savklingen sætte sig fast og medføre tilbageslag.
- ▶ **Vær specielt forsigtig ved savning i eksisterende vægge eller andre områder, hvor du ikke kan se, hvad de indeholder.** Den neddykkende savklinge kan blokere ved savning i skjulte genstande og medføre et tilbageslag.

### 2.3 Yderligere sikkerhedsanvisninger

#### Personlig sikkerhed

- ▶ **Det er ikke tilladt at modificere eller ændre laderen.**
- ▶ **Hold altid maskinen med begge hænder på de dertil beregnede håndtag. Hold håndtagene tørre, rene og fri for olie og fedt.**
- ▶ **Brug høreværn.** Støjpåvirkningen kan medføre høretab.
- ▶ **Hvis maskinen anvendes uden støvudsugning, skal du bruge åndedrætsværn.**
- ▶ **Brug kun maskinen med de tilhørende beskyttelsesanordninger.**
- ▶ **Hold pauser under arbejdet, og lav afspændings- og fingerøvelser, så dine fingre får en bedre blodgennemstrømning.**
- ▶ **Maskinen er ikke beregnet til svagelige personer uden instruktion.**
- ▶ **Maskinen skal opbevares uden for små børns rækkevidde.**
- ▶ **Tænd først produktet på arbejdsstedet.**
- ▶ **Fjern batteriet ved opbevaring og transport af maskinen.**
- ▶ **Arbejd ikke med produktet over hovedhøjde.**
- ▶ **Brems ikke produktet ved at trykke mod siden af savklingen.**
- ▶ **Skærebanelen skal være fri for forhindringer. Sav ikke i skruer, søm, etc.**
- ▶ **Berør ikke spændeflansen og spændeskruen, mens maskinen kører.**
- ▶ **Tryk aldrig på trykknappen til spindellåsen, når savklingen roterer.**
- ▶ **Ret ikke maskinen mod personer.**
- ▶ **Tilpas fremføringskraften til savklingen og det materiale, der skal saves i, så savklingen ikke blokeres og i givet fald medfører et tilbageslag.**
- ▶ **Undgå at savtændernes spidser bliver overophedet.**



- ▶ **Ved savning af kunststof er det vigtigt, at kunststoffet ikke smelter.**
- ▶ Støv fra materialer såsom blyholdig maling, visse træsorter, beton / murværk / natursten, som indeholder kvarts, og mineraler samt metal kan være sundhedsfarlige. Berøring eller indånding af støv kan medføre allergiske reaktioner og/eller luftvejssygdomme hos brugeren eller personer, der opholder sig i nærheden. Bestemte støvtyper, f.eks. støv fra ege- og bøgetræ, er kræftfremkaldende, især i forbindelse med tilsætningsstoffer til træbehandling (kromat, træbeskyttelsesmidler). Asbestholdige materialer må kun håndteres af fagfolk. **Anvend så vidt muligt støvudsugning. For at opnå en høj grad af støvudsugning skal du anvende en egnet mobil støvsuger. Brug om nødvendigt et åndedrætsværn, som egner sig til den pågældende støvtype. Sørg for god udluftning af arbejdspladsen. Overhold de gældende nationale forskrifter vedrørende de materialer, der skal bearbejdes.**
- ▶ **Find ud af, hvilken fareklasse det støv, der opstår ved arbejdet, har, inden du går i gang med arbejdet. Anvend en industristøvsuger med en officielt tilladt beskyttelsesklassificering, som opfylder de lokale støvbeskyttelsesbestemmelser.**
- ▶ **Overhold de nationale arbejdsmiljøkrav.**

#### Elektrisk sikkerhed

- ▶ **Kontrollér før påbegyndelse af arbejdet arbejdsområdet for skjulte elektriske ledninger, gas- og vandrør, f.eks. med en metaldetektor.** Udvendige metaldele på maskinen kan blive spændingsførende, hvis du f.eks. utilsigtet har beskadiget en elledning. Dette medfører en alvorlig fare for at få elektrisk stød.

#### Omhyggelig omgang med og brug af batterier

- ▶ **Læs de særlige retningslinjer for transport, opbevaring og brug af lithium-ion-batterier.**
- ▶ **Hold batterier på sikker afstand af høje temperaturer og ild.** Der er eksplosionsfare.
- ▶ **Batterierne må ikke adskilles, klemmes, opvarmes til over 80 °C eller brændes.** I modsat fald er der fare for brand, eksplosion og ætsning.
- ▶ **Defekte batterier (for eksempel batterier med revner, ødelagte dele, bøjede, tilbageslåede og/eller afrevne kontakter) må ikke genoplades og genbruges.**
- ▶ **Anvend ikke batterierne som energikilde for andre ikke specificerede forbrugere.**
- ▶ Hvis batteriet er for varmt til at kunne røres, kan det være defekt. **Placer maskinen på et ikke-brændbart sted i tilstrækkelig afstand til brændbare materialer, hvor det er muligt at holde øje med batteriet, og lad den køle af. Kontakt Hilti Service, når batteriet er kølet af.**

#### 2.4 Yderligere sikkerhedsanvisninger for rundsav

- ▶ Før kun rundsaven mod emnet i tændt tilstand.
  - ▶ Skærebånen skal være fri for forhindringer øverst og nederst. Sav ikke i skruer, søm eller lignende.
- ▶ Arbejd aldrig over hovedhøjde med en rundsav.
- ▶ Brems aldrig savklingen ved at trykke på siden.
- ▶ Undgå at savtændernes spidser bliver overophedet.
- ▶ Anvend altid en passende savklinge til det underlag, der skal skæres i.
- ▶ Anvend altid savklinger, som anbefales af Hilti, og som opfylder standard EN 847-1.

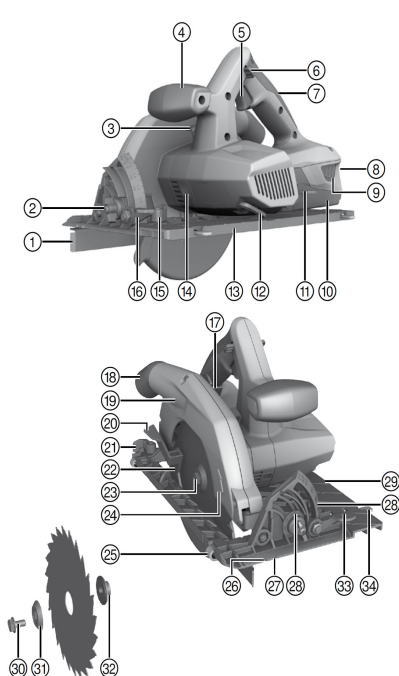
#### 2.5 Omhyggelig omgang med og brug af batterier

- ▶ Læs de særlige retningslinjer for transport, opbevaring og brug af lithium-ion-batterier.
- ▶ Hold batterier på sikker afstand af høje temperaturer, direkte solindstråling og ild.
- ▶ Batterierne må ikke adskilles, klemmes, opvarmes til over 80 °C eller brændes.
- ▶ Anvend og oplad ikke batterier, som har fået et slag, er faldet på gulvet fra mere end en meters højde eller på anden vis er blevet beskadiget. Kontakt i så fald altid **Hilti Service**.
- ▶ Hvis batteriet er for varmt til at kunne røres, kan det være defekt. Anbring batteriet på et overskueligt, ikke-brændbart sted med tilstrækkelig afstand til brændbare materialer. Lad batteriet køle af. Hvis batteriet efter en time fortsat er for varmt til at kunne røres, er det er defekt. Kontakt **Hilti Service**.



### 3 Beskrivelse

#### 3.1 Produktoversigt 1



- ① Parallelanslag, enarmet
- ② Forudindstilling for skærevinkel (22,5°, 45°, 50°)
- ③ Spindellåseknop
- ④ Ekstragreb
- ⑤ Tænd/sluk-knap
- ⑥ Startspærre
- ⑦ Håndgreb
- ⑧ Ladetilstands- og fejlvisning (lithium-ion-batteri)
- ⑨ Frigøringsknapper med ekstrafunktion til aktivering af ladetilstandsvisning
- ⑩ Batteri
- ⑪ Klemgreb til indstilling af skæredybde
- ⑫ Unbrakonøgle
- ⑬ Grundplade lille
- ⑭ LED-belysning
- ⑮ Klemgreb til parallelanslag foran
- ⑯ Klemgreb til indstilling af skærevinkel
- ⑰ Skæredybdeskala
- ⑱ Tilslutningsstuds (spånkanal)
- ⑲ Beskyttelsesafskærmning
- ⑳ Betjeningsgreb til pendulbeskyttelsesafskærmning
- ㉑ Klemgreb til parallelanslag bag (kun til stor grundplade)
- ㉒ Pendulbeskyttelsesafskærmning
- ㉓ Drevspindel
- ㉔ Rotationsretningspil
- ㉕ Parallelanslag, toarmet
- ㉖ Skæremarkering 0°
- ㉗ Skæremarkering 45°
- ㉘ Skærevinkelskala
- ㉙ Grundplade stor
- ㉚ Spændeskruer
- ㉛ Spændeflange
- ㉜ Holdeflange
- ㉝ Notmarkering 0° grundplade
- ㉞ Notmarkering 1°- 50° grundplade

#### 3.2 Styreskinneadapter 2

- ⑳ Holdestykker bag
- ㉑ Holdelasse for
- ㉒ Notmarkering 0°
- ㉓ Notmarkering 1°-50°

#### 3.3 Bestemmelsesmæssig anvendelse

Det beskrevne produkt er en batteridrevet rundsav. Det er beregnet til saveopgaver i træ eller træliggende materialer, kunststoffer, gipskarton, gipsplader og kompositmaterialer.

Rundsaven er udstyret med en aftagelig tilslutningsstuds til støvsuger/støvduskskiver (ekstratilbehør), som er dimensioneret til gængse støvsugerslanger. For at slutte støvsugerslangen til saven kan det være nødvendigt med en passende adapter.



- ▶ Det er ikke tilladt at anvende savklinger, som ikke opfylder de angivne karakteristika (f.eks. diameter, omdrejningstal, tykkelse), skære- og slibeskiver samt savklinger af højlegeret, hårdt stål (HSS-stål). Det er ikke tilladt at save i metal.
- ▶ Brug ikke produktet til kapning af grene og træstammer.
- ▶ Anvend kun **Hilti** lithium-ion-batterier i typeserien B 22 til dette produkt.
- ▶ Anvend kun **Hilti** ladere i C4/36-serien til disse batterier.

### 3.4 Lithium-ion-batteriets indikator

Lithium-ion-batteriets ladetilstand og fejl på maskinen signaleres via lithium-ion-batteriets indikator. Lithium-ion-batteriets ladetilstand vises efter berøring af de to batterifrigøringsknapper.

Tilstand	Betydning
4 lysdioder.	Ladetilstand: 75 % til 100 %
3 lysdioder lyser.	Ladetilstand: 50 % til 75 %
2 lysdioder lyser.	Ladetilstand: 25 % til 50 %
1 lysdiode lyser.	Ladetilstand: 10 % til 25 %
1 lysdiode blinker, maskinen er klar til brug.	Ladetilstand: < 10 %
1 lysdiode blinker, maskinen er ikke klar til brug.	Batteriet er overophedet eller helt afladet.
4 lysdioder blinker, maskinen er ikke klar til brug.	Maskinen er overbelastet eller overophedet.

- i** Når afbryderen er aktiveret, og op til 5 sekunder efter at afbryderen er sluppet, er det ikke muligt at få vist ladetilstanden.  
Hvis lysdioderne på batteriets indikator blinker, henvises til beskrivelsen i kapitlet Fejlafhjælpning.

### 3.5 Parallellanslag

Med det etarmede parallellanslag er det muligt at lave præcise snit langs med kanten af et emne og at save ensartede lister.

Parallellanslaget kan monteres på begge sider af grundpladen.

### 3.6 Leveringsomfang

Rundsav, savklinge, unbrakonøgle, parallellanslag, tilslutningsstuds til støvsuger, brugsanvisning, (ekstraudstyr: styreskinneadapter)

- i** Reservedele, forbrugsmaterialer og tilbehør til dit produkt, som vi har godkendt, finder du i dit **Hilti Store Center** eller under: [www.hilti.group](http://www.hilti.group).

### 3.7 Tilbehør

Spændeflange, holdeflange, spændeskruer.

## 4 Tekniske data

### 4.1 Rundsav

	SC 70W-A22
Nominal spænding	21,6 V
Vægt i overensstemmelse med EPTA-procedure 01	4,8 kg
Foreskrevet savklingediameter	190 mm
Stamklingetykkelse	0,7 mm ... 1,5 mm
Skærebredde	1,5 mm ... 2 mm
Savklingeboring	30 mm
Nom. omdrejningstal ubelastet	3.500/min
Maks. skæredybde 0°	70 mm
Maks. skæredybde 45°	51 mm



	<b>SC 70W-A22</b>
<b>Maks. skæredybde 50°</b>	45 mm
<b>Geringsskærevinkel</b>	0° ... 50°
<b>Driftstemperatur</b>	-10 °C ... 50 °C
<b>Opbevaringstemperatur (uden batteri)</b>	-30 °C ... 70 °C

## 4.2 Batteri

<b>Batteridriftsspænding</b>	21,6 V
<b>Omgivende temperatur under drift</b>	-17 °C ... 60 °C
<b>Opbevaringstemperatur</b>	-20 °C ... 40 °C
<b>Batteriets temperatur ved start af ladning</b>	-10 °C ... 45 °C

## 4.3 Støjinformation og vibrationsværdier beregnet iht. EN 62841

Lydtryk- og vibrationsværdier i denne brugsanvisning er målt i henhold til en standardiseret målemetode og kan anvendes til sammenligning af forskellige elværktøjer. De kan også anvendes til en foreløbig vurdering af den eksponering, brugeren udsættes for. De anførte data repræsenterer elværktøjets primære anvendelsesformål. Hvis elværktøjet imidlertid anvendes til andre formål, med andre indsatsværktøjer eller utilstrækkelig vedligeholdelse, kan dataene afvige. Dette kan forøge den eksponering, som brugeren udsættes for, i hele arbejdstiden markant. For at opnå en præcis vurdering af den eksponering, som brugeren udsættes for, bør også den tid, hvor maskinen er slukket eller blot kører uden at blive anvendt, inddrages. Dette kan reducere den eksponering, som brugeren udsættes for, i hele arbejdstiden markant. Fastlæg yderligere sikkerhedsforanstaltninger til beskyttelse af brugeren mod støj- og/eller vibrationspåvirkninger, f.eks. er det vigtigt: at vedligeholde elværktøj og indsatsværktøj, at holde hænderne varme og at organisere arbejdsprocesserne.

### Støjemissionsværdier beregnet iht. EN 62841

	<b>SC 70W-A22</b>
<b>Lydeffektniveau (<math>L_{WA}</math>)</b>	103 dB(A)
<b>Usikkerhed, lydeffektniveau (<math>K_{WA}</math>)</b>	3 dB(A)
<b>Lydtrykniveau (<math>L_{pA}</math>)</b>	92 dB(A)
<b>Usikkerhed, lydtrykniveau (<math>K_{pA}</math>)</b>	3 dB(A)

### Samlede vibrationsværdier (vektorsum i tre retninger), beregnet iht. EN 62841:

	<b>SC 70W-A22</b>
<b>Vibrationsemissionsværdi, savning i træ (<math>A_{h, w}</math>)</b>	0,93 m/s <sup>2</sup>
<b>Usikkerhed (K)</b>	1,5 m/s <sup>2</sup>

## 5 Betjening

### 5.1 Forberedelse af arbejdet

#### 5.1.1 Opladning af batteri

1. Læs brugsanvisningen til laderen før opladning.
2. Vær opmærksom på, at kontakterne på batteriet og laderen er rene og tørre.
3. Oplad batteriet i en godkendt lader. 53

#### 5.1.2 Isætning af batteri

#### ADVARSEL

#### Fare for personskader på grund af kortslutning eller batteri, der falder på gulvet!

- Før isætning af batteriet skal du kontrollere, at batteriets kontakter og kontakterne på produktet er fri for fremmedlegemer.
- Kontrollér, at batteriet altid går korrekt i indgreb.

1. Lad batteriet helt op før første indbrugging.
2. Skub batteriet ind i produktet, indtil det går hørbart i indgreb.



3. Kontrollér, at batteriet er sat korrekt i.

### 5.1.3 Fjernelse af batteri

1. Tryk på batteriets frigøringsknapper.
2. Træk batteriet ud af maskinen.

### 5.1.4 Afmontering af savklinge



#### ADVARSEL

**Fare for forbrænding og snitsår på savklinge, spændeskruer og spændeflange** Det kan medføre forbrændinger og snitsår.

- ▶ Brug derfor altid beskyttelseshandsker, når du skifter værktøj.

1. Fjern batteriet.
2. Sæt unbrakonøglen på spændeskruen til savklingen.
3. Tryk på spindellåseknappen, og hold den inde.
4. Drej spændeskruen til savklingen med unbrakonøglen, indtil spindellåseknappen er helt i indgreb.
5. Løsn spændeskruen med unbrakonøglen ved at dreje den i retningspiens retning.
6. Tag spændeskruen og den udvendige spændeflange af.
7. Åbn pendulbeskyttelsesafskærmningen ved at svinge den til side, og fjern savklingen.



Om nødvendigt kan holdeflangen tages af i forbindelse med rengøring.

### 5.1.5 Montering af savklinge



#### FORSIGTIG

**Fare for beskadigelse!** Uegnede eller forkert isatte savklinger kan beskadige saven.

- ▶ Anvend kun savklinger, som egner sig til denne sav. Vær opmærksom på pilen på savklingen, som angiver rotationsretningen.
- ▶ Anvend kun savklinger, hvis tilladte omdrejningstal er mindst så højt som det maksimale omdrejningstal, der er angivet på produktet.



**Kontrollér, at den savklinge, som monteres i saven, opfylder de tekniske krav og er velslebet.**

En skarp savklinge er en forudsætning for et fejlfrit savsnit.

1. Fjern batteriet.
2. Rengør holde- og spændeflangerne.
3. Sæt holdeflangen på drevspindelen, og sørg for, at den vender rigtigt.
4. Åbn pendulbeskyttelsesafskærmningen.
5. Indsæt den nye savklinge.
6. Sæt den udvendige spændeflange på, og sørg for, at den vender rigtigt.
7. Isæt spændeskruen.
8. Sæt unbrakonøglen på spændeskruen til savklingen.
9. Tryk på spindellåseknappen.
10. Monter spændeflangerne med spændeskruen ved at dreje unbrakonøglen modsat retningspien.
  - ▶ Spindellåseknappen går i indgreb.
11. Kontrollér, at savklingen sidder korrekt og godt fast før ibrugtagning.

### 5.1.6 Indstilling af skæredybde

1. Fjern batteriet.
2. Løsn klemgrebet til indstilling af skæredybden
3. Løft produktet i en sakseformet bevægelse, og indstil skæredybden ved at spænde klemgrebet fast.



Den indstillede skæredybde bør altid være ca. 5 til 10 mm større end tykkelsen på det materiale, der skal saves.

Den indstillede dybde kan aflæses på den skala og viser, der findes på beskyttelseskærmens bagside.



### 5.1.7 Indstilling af skærevinkel

1. Fjern batteriet.
2. Løsn klemgrebet til indstilling af skærevinkel.
3. Drej produktet i den ønskede position.



Forudindstilling af skærevinkel gør det nemt at indstille de maksimale vinkler 22,5°/45°/50°

4. Spænd klemgrebet til indstilling af skærevinkel.

### 5.1.8 Sparing efter opmærkning



På rundsavens forreste grundplade sidder der, både til lige snit og vinkelsnit, en opmærkningsviser (0° og 45°). Med den er det muligt at udføre et præcist snit alt efter den valgte snitvinkel. Opmærkningskanten svarer til indersiden af savklingen. En opmærkningsviser befinder sig på den forreste udskæring til savklingen.



Fastgør emnet, så det ikke kan forrykke sig.

Placer emnet, så savklingen ikke rammer noget under emnet.

Forvis dig om, at tænd/sluk-knappen på produktet er slukket.

Anbring produktet med grundpladen på emnet, så savklingen endnu ikke har kontakt med emnet.

1. Sæt batteriet i.
2. Tænd produktet med startspærren trykket ind ved at trykke på tænd/sluk-knappen.
3. Før produktet gennem emnet i et egnet arbejdstempo langs med opmærkningen.

### 5.1.9 Montering/indstilling af parallelanslag

1. Fjern batteriet.
2. Drej kun klemskruen så langt ind i grundpladen, at der er tilstrækkelig plads til at skubbe parallelanslaget igennem.
3. Skub parallelanslagets føring under klemskruen.
4. Indstil den ønskede skærebredde.
5. Spænd klemskruen.



Parallelanslaget (enarmet/toarmet) kan monteres på begge sider af grundpladen. Det toarmede parallelanslag kan kun anvendes til den store grundplade.

Med parallelanslaget er det muligt at lave præcise snit langs med kanten af et emne og at save ensartede lister.

### 5.1.10 Montering af styreskinneadapter



Saven kan udstyres med en styreskinneadapter, der fås som tilbehør.

På save med en lille grundplade skal du anvende en styreskinneadapter, som passer til styreskinnen.

1. Fjern batteriet.
2. Fjern et eventuelt monteret parallelanslag.
3. Før grundpladen ind i styreskinneadapterens holdelasker i siden.
4. Indsæt grundpladen helt i styreskinneadapteren.
5. Lås styreskinneadapteren ved at trykke de to skydere ind til anslag.

## 5.2 Arbejde

### 5.2.1 Tænding

- ▶ Tænd produktet med startspærren trykket ind ved at trykke på tænd/sluk-knappen.

### 5.2.2 Frakobling

- ▶ Stands maskinen ved at slippe tænd/sluk-knappen.



### 5.2.3 Langsgående snit ved 0° **10**

1. Anbring rundsaven ved at placere notmarkeringen "0°" i lasken på styreskinnen.
2. Tænd produktet med startspærren trykket ind ved at trykke på tænd/sluk-knappen.
3. Før produktet gennem emnet i et egnet arbejdstempo langs med skinnen.

### 5.2.4 Langsgående snit ved vinkler op til 50° **11**

1. Indstil vinklen.

#### **ADVARSEL**

**Kollisionsfare ved vinkelskæring!** Kollisioner mellem savklinge og styreskinne.

- ▶ Anbring saven med en rigtige not i lasken på styreskinnen. I modsat fald vil savklingen kollidere med styreskinnen.
- 
2. Anbring saven ved at placere notmarkeringen "1-50°" i lasken på styreskinnen.
  3. Tænd produktet med startspærren trykket ind ved at trykke på tænd/sluk-knappen.
  4. Før produktet gennem emnet i et egnet arbejdstempo langs med skinnen.

### 5.2.5 Udførelse af vinkelsnit på flader **12**

1. Læg styreskinnen med nulpunktet på kanten af emnet, og drej skinnen, indtil den ønskede vinkel ligger ud for nulpunktet på vinkelskalaen. Den viste savevinkel angiver den vinkel, som snittet afviger fra et lige retvinklet snit.
2. Fastgør styreskinnen med de to skruetvinger.
3. Anbring rundsaven ved at placere notmarkeringen "0°" i lasken på styreskinnen.
4. Tænd produktet med startspærren trykket ind ved at trykke på tænd/sluk-knappen.
5. Før produktet gennem emnet i et egnet arbejdstempo langs med skinnen.

### 5.2.6 Savning uden spånudsugning

1. Vær opmærksom på, at spånerne blæses direkte ud.
2. Ved behov kan tilslutningsstudsden tages af beskyttelseskærmen ved at løsne unbrakoskruen med den unbrakonøgle, som sidder på produktet.

## 6 Rengøring og vedligeholdelse

---

#### **ADVARSEL**

**Fare for personskader ved isat batteri !**

- ▶ Fjern altid batteriet før alle pleje- og vedligeholdelsesarbejder!
- 

#### **Pleje af produktet**

- Fjern fastsiddende snavs med forsigtighed.
- Eventuelle ventilationsåbninger skal rengøres forsigtigt med en tør, blød børste.
- Rengør kun huset med en hårdt opvredet klud. Brug ikke silikoneholdige plejemidler, da de kan angribe plastdelene.
- Anvend en ren, tør klud til rengøring af produktets kontakter.

#### **Pleje af Li-ion-batterier**

- Anvend aldrig et batteri med tilstoppede ventilationsåbninger. Rengør forsigtigt ventilationsåbningerne med en tør, blød børste.
- Undgå, at batteriet unødigt udsættes for støv og snavs. Udsæt aldrig batteriet for høj fugtighed (f.eks. dykke det i vand eller lade det stå ude i regnvejrr).
- Hvis et batteri er blevet gennemvådt, skal det behandles som et beskadiget batteri. Isolér det i en ikke-brændbar beholder, og kontakt **Hilti Service**.
- Hold batteriet frit for udefrakommende olie og fedt. Lad ikke unødigt støv og snavs samle sig på batteriet. Rengør batteriet med en tør, blød børste eller en ren, tør klud. Brug ikke silikoneholdige plejemidler, da de kan angribe plastdelene.  
Berør ikke batteriets kontakter, og fjern ikke det fedt fra kontakterne, som er påført fra fabrikken.
- Rengør kun huset med en hårdt opvredet klud. Brug ikke silikoneholdige plejemidler, da de kan angribe plastdelene.





## Vedligeholdelse



### ADVARSEL

**Fare for elektrisk stød!** Fagmæssigt ukorrekte reparationer på elektriske dele kan medføre alvorlige personskader og forbrændinger.

- ▶ Reparationer på eldelene må kun udføres af en elektriker.
- 
- Kontrollér regelmæssigt alle synlige dele for skader og betjeningselementerne for fejlfri funktion.
  - Anvend ikke produktet i tilfælde af beskadigelse og/eller funktionsfejl. Få omgående produktet repareret af **Hilti Service**.
  - Monter alle beskyttelsesanordninger efter pleje- og vedligeholdelsesarbejder, og kontrollér dem for fejlfri funktion.



Anvend kun originale reservedele, forbrugsmaterialer og tilbehørsdele af hensyn til en sikker drift. Reservedele, forbrugsmaterialer og tilbehør til dit produkt, som **Hilti** har godkendt, finder du i din **Hilti Store** eller under: [www.hilti.group](http://www.hilti.group)

### 6.1 Rengøring af beskyttelsesanordning

1. Fjern savklingen for at rengøre beskyttelsesanordningen.
2. Rengør forsigtigt beskyttelsesanordningerne med en tør børste.
3. Fjern aflejringer og spåner inde i beskyttelsesanordningerne med et egnet værktøj.
4. Monter savklingen.

### 6.2 Fremgangsmåde ved tilstoppet spånkanal

1. Fjern batteriet.
2. Rengør spånkanalen.



Om nødvendigt skal savklingen afmonteres. 56

3. Kontrollér, om bevægelige dele fungerer korrekt og ikke sidder fast, og om delene er brækket eller beskadiget, således at produktets funktion påvirkes.

### 6.3 Kontrol efter rengøring og vedligeholdelse



Kontrollér efter rengørings- og vedligeholdelsesarbejde, at alt sikkerhedsudstyr sidder, som det skal, og fungerer fejlfrit.

- ▶ Du kontrollerer pendulbeskyttelsesafskærmningen ved at åbne denne helt med et tryk på betjeningsgrebet.
  - ▶ Når du slipper betjeningsgrebet, skal pendulbeskyttelsesafskærmningen lukke sig hurtigt og helt.

## 7 Transport og opbevaring

### Transport af batteridrevne værktøjer og batterier



#### FORSIGTIG

**Utilsigtet start ved transport !**

- ▶ Transportér altid dine produkter uden isat batteri!
- 
- ▶ Tag batteriet/batterierne af.
  - ▶ Transportér aldrig batterier liggende løst og ubeskyttet. Under transporten bør batterierne beskyttes mod hårde slag og vibrationer og isoleres fra enhver form for ledende materialer eller andre batterier, så de ikke kommer i kontakt med andre batteripoler og forårsager en kortslutning. **Overhold de lokale transportforskrifter for batterier.**
  - ▶ Batterier må ikke sendes med posten. Henvend dig til et transportfirma, hvis du ønsker at sende ubeskadigede batterier.
  - ▶ Kontrollér produktet og batterierne for skader hver gang før brug og før og efter længere transport.




**ADVARSEL**
**Utilsigtet beskadigelse på grund af defekte eller utætte batterier !**

- ▶ Opbevar altid dine produkter uden isat batteri!
- 
- ▶ Opbevar produkt og batterier køligt og tørt. Overhold de temperaturgrænser, der fremgår af de tekniske data.
  - ▶ Opbevar ikke batterier i laderen. Tag batteriet ud af laderen, når opladningen er gennemført.
  - ▶ Opbevar aldrig batterier i direkte sollys, på varmekilder eller i et vindue.
  - ▶ Opbevar produkt og batterier utilgængeligt for børn og uvedkommende personer.
  - ▶ Kontrollér produktet og batterierne for skader hver gang før brug og før og efter længere tids opbevaring.

## 8 Fejlafhjælpning

- ▶ Ved fejl, som ikke fremgår af denne tabel, eller som du ikke selv kan afhjælpes, beder vi dig om at kontakte **Hilti Service**.

### 8.1 Rundsaven er ikke funktionsdygtig

Fejl	Mulig årsag	Løsning
Lysdioder er ikke aktive.	Batteriet er ikke korrekt isat.	▶ Sæt batteriet i.
	Aflad batteri.	▶ Oplad batteriet.
	Batteriet er for varmt eller for koldt.	▶ Bring batteriet op på den korrekte omgivende temperatur.
1 lysdiode blinker.	Aflad batteri.	▶ Oplad batteriet.
	Batteriet er for varmt eller for koldt.	▶ Bring batteriet op på den korrekte omgivende temperatur.
4 lysdioder blinker.	Rundsaven kortvarigt overbelastet.	▶ Slip afbryderen, og betjen den igen.
	Overophedningsbeskyttelse.	▶ Lad rundsaven køle af, og rengør ventilationsåbningerne.

### 8.2 Rundsaven er funktionsdygtig

Fejl	Mulig årsag	Løsning
Tænd/sluk-knappen kan ikke trykkes ned eller er blokeret.	Ingen fejl (sikkerhedsfunktion)	▶ Tryk på startspærren.
Hastigheden falder pludselig kraftigt.	Aflad batteri.	▶ Oplad batteriet.
	Fremføringskraft for høj.	▶ Nedsæt fremføringskraften, og tænd produktet igen.
Spåner transporteres ikke til spånbeholderen og falder ned på grundpladen.	Spånbeholder fuld.	▶ Tøm spånbeholderen.
	Spånkanal tilstoppet.	▶ Rengør spånkanalen. 59
Savklingen forbliver standset.	Fremføringskraft for høj.	▶ Nedsæt fremføringskraften, og tænd produktet igen.
Batteriet aflades hurtigere end normalt.	Batteritilstanden er ikke optimal.	▶ Udskift batteriet.
Batteriet går ikke i indgreb med et tydeligt dobbeltklik.	Låsetapperne på batteriet er beskidte.	▶ Rengør holdetapperne, og bring batteriet i indgreb. Kontakt <b>Hilti Service</b> , hvis det ikke løser problemet.
Kraftig varmeudvikling i rundsav eller batteri.	Elektrisk defekt	▶ Sluk omgående rundsaven. Tag batteriet ud, og hold øje med det. Lad batteriet køle af. Kontakt <b>Hilti Service</b> .
	Produktet er overbelastet (anvendelsesgrænse overskredet).	▶ Vælg en maskine, der egner sig til opgaven.



Fejl	Mulig årsag	Løsning
Saven vibrerer meget	Savklingen er monteret forkert	► Monter savklingen korrekt. 56

## 9 Bortskaffelse

### ADVARSEL

**Fare for personskader på grund af ukorrekt bortskaffelse!** Sundhedsfare på grund af udtrængen af gasser eller væsker.

- Beskadigede batterier må under ingen omstændigheder sendes!
- Tildæk kontakterne med et ikke-ledende materiale, så kortslutninger undgås.
- Bortskaf batterier på en sådan måde, at børn ikke kan få fat på dem.
- Bortskaf batteriet hos din **Hilti Store**, eller henvend dig til det ansvarlige renovationsfirma.

Størstedelen af de materialer, som anvendes ved fremstillingen af **Hilti**-produkter, kan genvindes. Materialerne skal dog sorteres, før de kan genvindes. I mange lande kan du aflevere dine udtjente produkter til **Hilti**, som derefter genvinder dem. Spørg **Hiltis** kundeservice eller din forhandler.

- Elværktøj, elektriske maskiner og batterier må ikke bortskaffes sammen med almindeligt husholdningsaffald!

## 10 RoHS (direktiv til begrænsning af anvendelsen af farlige stoffer)

Under følgende link finder du tabellen med farlige stoffer: [qr.hilti.com/r2937785](http://qr.hilti.com/r2937785).

Et link til RoHS-tabellen finder du i slutningen af denne dokumentation som QR-kode.

## 11 Producentgaranti

- Hvis du har spørgsmål vedrørende garantibetingelserne, bedes du henvende dig til din lokale **Hilti**-partner.

# Originalbruksanvisning

## 1 Anvisningar om bruksanvisning

### 1.1 Om denna bruksanvisning

- Läs noga igenom den här bruksanvisningen innan du använder verktyget. Det är en förutsättning för säkert arbete och problemfri hantering.
- Observera de säkerhets- och varningsanvisningar som du hittar i denna bruksanvisning och på produkten.
- Förvara alltid bruksanvisningen tillsammans med produkten och överlämna aldrig produkten till någon annan utan att bifoga den.

### 1.2 Teckenförklaring

#### 1.2.1 Varningar

Varningarna är till för att varna för risker i samband med användning av produkten. Följande riskindikeringar används:

#### FARA

##### FARA !

- Anger överhängande risker som kan leda till svåra personskador eller dödsolycka.

#### VARNING

##### VARNING !

- Anger potentiella risker som kan leda till svåra personskador eller dödsfall.



**⚠ FÖRSIKTIGHET**

**FÖRSIKTIGHET !**

- Används för att uppmärksamma om en potentiell risksituation som kan leda till skador på person eller utrustning.

**1.2.2 Symboler i bruksanvisningen**

I den här bruksanvisningen används följande symboler:

	Observera bruksanvisningen
	Anmärkningar och annan praktisk information
	Hantering av återvinningsbara material
	Elverktyg och batterier får inte kastas i hushållssoporna
	<b>Hilti</b> litiumjonbatteri
	<b>Hilti</b> Batteriladdare

**1.2.3 Symboler i bilderna**

Följande symboler används i bilder:

<b>2</b>	Dessa siffror hänvisar till motsvarande bild i början av bruksanvisningen.
3	Numreringen i bilderna hänvisar till viktiga arbetsmoment eller viktiga komponenter för arbetsmomenten. I texten framhävs dessa arbetsmoment eller komponenter med motsvarande nummer, t.ex. (3).
11	I bilden <b>Översikt</b> används positionsnummer och hänvisar till siffrorna i teckenförklaringen i avsnittet <b>Produktöversikt</b> .
	Det här tecknet är till för att du ska vara extra uppmärksam på något som gäller hur du hanterar produkten.

**1.3 Produktberoende symboler**

**1.3.1 Övriga symboler**

Följande symboler kan förekomma på produkten:

$n_0$	Nominellt varvtal, obelastat
	Likström
RPM	Varv per minut
$\varnothing$	Diameter
	Sågklinga
	Produkten stöder trådlös dataöverföring som är kompatibel med iOS- och Android-plattformar.
Li-Ion	Litiumjonbatteri
	<b>Hilti</b> -litiumjonbatteriserie som används. Observera uppgifterna i kapitlet <b>Avsedd användning</b> .
	Använd aldrig batteriet som slagverktyg.
	Låt inte batteriet falla ner på marken. Använd inte batterier som har utsatts för slag eller på annat sätt har skadats.



## 1.4 Produktinformation

**HILTI**-produkter är avsedda för professionella användare och får endast användas, underhållas och repareras av auktoriserad, utbildad personal. Personalen måste vara särskilt informerad om de risker som finns. Produkten och dess tillbehör kan utgöra en risk om den används på ett felaktigt sätt av utbildad personal eller inte används enligt föreskrifterna.

Typbeteckning och serienummer anges på typskylten.

- ▶ Använd de serienummer som anges i följande tabell. Du behöver produktuppgifterna när du kontaktar vår återförsäljare eller serviceverkstad.

### Produktdetaljer

Cirkelsåg	SC 70W-A22
Generation	01
Serienr	

## 1.5 Försäkrans om överensstämmelse

Vi försäkras på eget ansvar att den produkt som beskrivs här överensstämmer med gällande direktiv och standarder. En bild på försäkrans om överensstämmelse hittar du i slutet av dokumentationen.

Den tekniska dokumentationen finns sparad här:

Hilti Entwicklungsgesellschaft mbH | Zulassung Geräte | Hiltistraße 6 | 86916 Kaufering, Tyskland

## 2 Säkerhet

### 2.1 Allmänna säkerhetsföreskrifter för elverktyg

**⚠ VARNING** Läs noga igenom alla säkerhetsföreskrifter, anvisningar, avbildningar och tekniska data som medföljer detta elverktyg. Om nedanstående anvisningar inte följs, finns risk för elektriska stötar, brand och/eller svåra skador.

**Förvara alla säkerhetsföreskrifter och anvisningarna på ett säkert ställe för framtida användning.**

Begreppet "elverktyg" som används i säkerhetsföreskrifterna avser nätdrivna elverktyg (med nätkabel) och batteridrivna elverktyg (sladdlösa).

#### Säker arbetsmiljö

- ▶ **Håll arbetsområdet rent och väl belyst.** Ordning eller bristfällig belysning på arbetsplatsen kan leda till olyckor.
- ▶ **Arbeta inte med elverktyget i omgivning med explosionsrisk där det finns brännbara vätskor, gaser eller damm.** Elverktyg alstrar gnistor som kan antända dammet eller gaserna.
- ▶ **Håll barn och obehöriga personer på betryggande avstånd under arbetet med elverktyget.** Om du störs av obehöriga personer kan du förlora kontrollen över verktyget.

#### Elsäkerhet

- ▶ **Elverktygets elkontakt måste passa till vägguttaget. Elkontakten får absolut inte ändras. Använd inte adapterkontakter tillsammans med skyddsjordade elverktyg.** Originalkontakter och lämpliga vägguttag minskar risken för elstötar.
- ▶ **Undvik kroppskontakt med jordade ytor som rör, värmeelement, spisar och kylskåp.** Det finns en större risk för elstötar om din kropp är jordad.
- ▶ **Skydda elverktyget från regn och väta.** Tränger vatten in i ett elverktyg ökar risken för elstötar.
- ▶ **Använd inte anslutningskabeln på ett felaktigt sätt, t.ex. genom att bära eller hänga upp elverktyget i den eller dra i den för att lossa elkontakten ur vägguttaget. Håll anslutningskabeln på avstånd från värmekällor, olja, vassa kanter och rörliga delar.** Skadade eller tilltrasslade anslutningskablar ökar risken för elstötar.
- ▶ **När du arbetar med ett elverktyg utomhus, använd endast förlängningskablar som är avsedda för utomhusbruk.** Genom att använda en lämplig förlängningskabel för utomhusbruk minskar du risken för elstötar.
- ▶ **Om det är alldeles nödvändigt att använda verktyget i fuktig miljö ska du använda en jordfelsbrytare.** Användning av jordfelsbrytare minskar risken för elstötar.

#### Personsäkerhet

- ▶ **Var uppmärksam, ha uppsikt över vad du gör och använd elverktyget med förnuft. Använd aldrig elverktyg om du är trött eller påverkad av droger, alkohol eller medicin.** En kort sekund av bristande uppmärksamhet när du arbetar med ett elverktyg kan leda till att du skadar dig själv eller någon annan svårt.



- ▶ **Bär alltid personlig skyddsutrustning och skyddsglasögon.** Genom att använda personlig skyddsutrustning som t.ex. dammskyddsmask, halkfria säkerhetsskor, hjälm eller hörselskydd, beroende på vilket elverktyg du använder och till vad, minskar du risken för kroppsskada.
- ▶ **Undvik oavsiktlig igångsättning. Se till att elverktyget är fränkopplat innan du ansluter det till nätströmmen och/eller batteriet, tar upp det eller bär det.** Om du bär elverktyget med fingret på strömbrytaren eller ansluter ett tillkopplat verktyg till nätströmmen kan en olycka inträffa.
- ▶ **Ta bort alla inställningsverktyg och skruvnycklar innan du kopplar in elverktyget.** Ett verktyg eller en nyckel i en roterande komponent kan leda till skador.
- ▶ **Undvik en onormal kroppshållning. Se till att du står stadigt och håller balansen.** Då kan du lättare kontrollera elverktyget i oväntade situationer.
- ▶ **Bär lämpliga kläder. Bär inte löst hängande kläder eller smycken. Håll håret, kläderna och handskarna på avstånd från rörliga delar.** Löst hängande kläder, smycken och långt hår kan dras in av roterande delar.
- ▶ **När du använder elverktyg med anordningar för uppsugning och uppsamling av damm, bör du kontrollera att dessa anordningar är rätt monterade och används korrekt.** Används en dammsugare kan faror som orsakas av damm minskas.
- ▶ **Invagga dig inte i falsk säkerhet och strunta inte säkerhetsreglerna för elverktyg även om du har stor vana vid att arbeta med elverktyget.** Oförsiktig hantering kan leda till allvarliga skador inom bråkdelar av en sekund.

#### Användning och hantering av elverktyg

- ▶ **Överbelasta inte verktyget. Använd elverktyg som är avsedda för det aktuella arbetet.** Med ett lämpligt elverktyg kan du arbeta bättre och säkrare inom angivet effektområde.
- ▶ **Använd aldrig elverktyget om strömbrytaren är defekt.** Ett elverktyg som inte kan kopplas in eller ur är farligt och måste repareras.
- ▶ **Dra ut elkontakten ur uttaget och/eller ta i förekommande fall bort det löstagbara batteriet innan du gör inställningar, byter tillbehör eller lägger ifrån dig verktyget.** Denna skyddsåtgärd förhindrar att du eller någon annan råkar sätta igång elverktyget av misstag.
- ▶ **Förvara elverktyg oåtkomligt för barn. Verktyget får inte användas av personer som inte är vana eller inte har läst dessa anvisningar.** Elverktyg är farliga om de används av oerfarna personer.
- ▶ **Underhåll elverktygen och tillbehören noggrant. Kontrollera att rörliga komponenter fungerar felfritt och inte kärvar och att komponenter inte har brustit eller skadats så att elverktygets funktion påverkas negativt. Se till att skadade delar repareras innan verktyget används igen.** Många olyckor orsakas av dåligt skötta elverktyg.
- ▶ **Håll insatsverktygen skarpa och rena.** Omsorgsfullt skötta insatsverktyg med skarpa eggar kommer inte så lätt i kläm och går lättare att styra.
- ▶ **Använd elverktyg, tillbehör, insatsverktyg osv. enligt dessa anvisningar. Ta hänsyn till arbetsvillkoren och arbetsmomenten.** Används elverktyget på icke ändamålsenligt sätt kan farliga situationer uppstå.
- ▶ **Se till att handtaget och greppytorna är torra, rena och fria från olja och fett.** Med hala handtag och gripytor går det inte att hantera och kontrollera elverktyget säkert i oväntade situationer.

#### Användning och hantering av batteriverktyg

- ▶ **Ladda endast batterierna i de laddare som tillverkaren har rekommenderat.** Brandrisk kan uppstå om en laddare som är avsedd för en viss typ av batterier används för andra batterityper.
- ▶ **Använd endast batterier som är avsedda för aktuellt elverktyg.** Används andra batterier finns det risk för kroppsskada och brand.
- ▶ **Håll gem, mynt, nycklar, spikar, skruvar och andra små metallföremål på avstånd från reservbatterier för att undvika kortslutning av kontakterna.** En kortslutning av batteriets kontakter kan leda till brännskador eller brand.
- ▶ **Om batteriet används på fel sätt kan vätska rinna ur batteriet. Undvik kontakt med vätskan. Vid oavsiktlig kontakt, skölj med vatten. Om vätska kommer i kontakt med ögonen, uppsök dessutom läkare.** Batterivätskan kan orsaka hudirritation eller brännskada.
- ▶ **Använd aldrig skadade eller egenhändigt modifierade batterier.** Skadade eller modifierade batterier kan bete sig oförutsägbart och orsaka brand, explosioner eller risk för skador.
- ▶ **Utsätt aldrig batterier för öppen eld eller för höga temperaturer.** Öppen eld eller temperaturer över 130 °C (265 °F) kan orsaka explosion.
- ▶ **Följ alla anvisningar för laddning och ladda aldrig batteriet eller batteriverktyget vid temperaturer som ligger utanför det intervall som anges i bruksanvisningen.** Felaktigt utförd laddning eller laddning vid temperaturer utanför det tillåtna intervallet kan förstöra batteriet och öka risken för brand.



## Service

- ▶ **Låt endast kvalificerad fackpersonal reparera elverktuget och använd då endast originalreservdelar.** Detta garanterar att verktygets säkerhet upprätthålls.
- ▶ **Utför aldrig underhåll på skadade batterier.** Underhåll av batterier får endast utföras av tillverkaren eller av auktoriserade kundservicecenter.

## 2.2 Säkerhetsföreskrifter för alla sågar

### Sågningsförfarande

- ▶ **⚠ FARA: Håll händerna borta från sågklingan och området omkring den. Håll ena handen på det extra handtaget eller på motorkåpan.** Om du håller sågen med båda händerna kan de inte skadas av sågklingan.
- ▶ **Håll inte händerna under arbetsstycket.** Klingskyddet kan inte skydda dina händer under arbetsstycket.
- ▶ **Anpassa snittdjupet till arbetsstyckets tjocklek.** Mindre än en hel tandlängd av sågklingans tänder får synas under arbetsstycket.
- ▶ **Håll aldrig fast arbetsstycket som ska sågas med handen eller stödd på ena benet. Fäst arbetsstycket vid ett stabilt underlag.** Det är viktigt att fästa arbetsstycket ordentligt för att undvika kontakt med kroppen, att sågklingan fastnar eller att man tappar kontrollen över verktyget.
- ▶ **Håll endast elverktuget i de isolerade greppytorna när du utför arbeten där insatsverktyget kan stöta på dolda elledningar.** Vid kontakt med en spänningsförande ledning överförs spänningen även till metalldelarna på elverktuget och kan ge dig en stöt.
- ▶ **Använd alltid ett anslag eller en rak kantföring vid sågning på längden.** Detta leder till en bättre sågprecision och minskar risken för att sågklingan kör fast.
- ▶ **Använd alltid en sågklinga av rätt storlek och med lämpligt axelhål (t.ex. stjärnformat eller runt).** Sågklingor som inte passar sågens monteringsdelar går ojämnt och gör att du får sämre kontroll.
- ▶ **Använd aldrig skadade eller felaktiga distansbrickor eller mellanskruvar för sågklingan.** Distansbrickorna och mellanskruvarna är specialkonstruerats för din såg för optimal effekt och driftsäkerhet.

### Kast – orsaker och motsvarande säkerhetsföreskrifter

- Ett kast är en plötslig reaktion till följd av att en sågklinga hakar i, kläms fast eller riktas fel, så att sågklingan okontrollerat kastas upp ur arbetsstycket i riktning mot användaren;
- Om sågklingan fastnar i sågspåret blockeras den och motorkraften pressar verktyget mot användaren.
- Om sågklingan vrids eller tänderna är felaktigt riktade, kan tänderna i sågklingans bakre kanta haka sig fast i arbetsstycket så att sågklingan stöts bort från sågspåret och mot användaren.

Ett kast eller bakslag är ett resultat av att sågen använts på ett felaktigt sätt. Det kan förhindras med hjälp av lämpliga försiktighetsåtgärder som beskrivs nedan.

- ▶ **Håll fast sågen med båda händerna och håll armarna i en position som hjälper dig att stå emot bakslagskrafterna. Håll sågklingan sidledes och se till att aldrig hålla den i linje med kroppen.** Vid ett bakslag kan cirkelsågen hoppa bakåt, men om du har vidtagit rätt försiktighetsåtgärder kan du hålla emot bakslagskrafterna.
- ▶ **Om sågklingan fastnar eller om du avbryter arbetet ska du stänga av sågen och hålla den stilla i arbetsmaterialet tills sågklingan har stannat helt. Försök aldrig att dra ut sågen ur arbetsstycket eller att dra den bakåt så länge klingan roterar och kan göra ett kast.** Ta reda på orsaken till att sågklingan fastnat och åtgärda den.
- ▶ **När du ska starta om en såg som är instucken i ett arbetsstycke centrerar du sågklingan i sågspåret och kontrollerar att tänderna inte har fastnat i arbetsstycket.** Om sågklingan har fastnat och du ska starta sågen igen kan sågklingan göra en snabb rörelse bort från arbetsstycket eller göra ett bakslag.
- ▶ **Stötta stora plattor för att minska risken för ett bakslag orsakat av en fastklämd sågklinga.** Stora plattor kan böjas av kroppsvikten. Plattorna måste ha stöd på båda sidor, både nära sågspåret och vid kanten.
- ▶ **Använd inte slöa eller skadade sågklingor.** Sågklingor som har slöa eller felriktade tänder ger ökad friktion, klämmer åt sågklingan och kan medföra ett bakslag.
- ▶ **Dra åt snittdjups- och sågvinkelinställningen innan du börjar såga.** Om du ändrar sågens inställningar under sågarbetet kan sågklingan klämmas fast och ett kast uppstå.
- ▶ **Var extra försiktig vid sågning i befintliga väggar eller andra områden som du inte har full uppsikt över.** Sågklingan kan fastna i dolda föremål och ett kast kan uppstå.

## 2.3 Extra säkerhetsföreskrifter

### Personsäkerhet

- ▶ **Verktyget/instrumentet får inte ändras eller byggas om på något sätt.**



- ▶ **Håll alltid verktyget i handtagen med båda händerna. Se till att handtagen är torra, rena och fria från olja och fett.**
- ▶ **Bär hörselskydd.** Buller kan leda till hörselskador.
- ▶ **Om verktyget används utan dammsugare måste du använda ett lätt andningsskydd när du arbetar med dammalstrande material.**
- ▶ **Verktyget får inte användas utan tillhörande skyddsanordningar.**
- ▶ **Gör pauser i arbetet och utför avslappnings- och fingerövningar som ökar blodgenomströmningen i fingrarna.**
- ▶ **Verktyget är inte avsett att användas av personer som saknar förmåga eller nödvändig kunskap.**
- ▶ **Använd inte verktyget när barn finns i närheten.**
- ▶ **Koppla inte till produkten förrän den ska användas på arbetsplatsen.**
- ▶ **Ta ur batteriet när verktyget ska förvaras eller transporteras.**
- ▶ **Håll inte produkten ovanför huvudet när du arbetar med den.**
- ▶ **Försök inte bromsa produkten genom att trycka mot sågklingan från sidan.**
- ▶ **Såglinjen måste vara fri från hinder. Såga inte i skruvar, spikar osv.**
- ▶ **Rör inte vid spännflänsen eller spännskraven när verktyget är igång.**
- ▶ **Tryck aldrig ner spindellåsknappen när sågklingan roterar.**
- ▶ **Rikta inte verktyget mot någon person.**
- ▶ **Anpassa frammatningskraften till sågklingan och till materialet som ska bearbetas så att klingan inte fastnar och ger kast.**
- ▶ **Undvik överhettning av sågtändernas spetsar.**
- ▶ **Vid sågning i plast, se till att materialet inte smälter.**
- ▶ **Damm från material med blyhaltig färg, vissa träslag, betong, tegel, sten som innehåller kvarts, mineraler och metall kan vara hälsovådliga. Beröring eller inandning av damm kan orsaka allergiska reaktioner och/eller sjukdomar i andningsvägarna hos användaren eller hos personer som befinner sig i närheten. Vissa slags damm, till exempel från ek eller bok, anses vara cancerframkallande, särskilt i kombination med tillsatssämnen för behandling av trä (kromat, träskyddsmedel). Asbesthaltigt material får bara hanteras av särskilt utbildad personal. Använd om möjligt en dammsugare. För effektiv dammsugning bör du använda en bärbar dammsugare som är speciellt avsedd för ändamålet. Använd vid behov en andningsmask som är avsedd för damm av det aktuella slaget. Se till att det finns bra ventilation på arbetsplatsen. Följ de gällande landsspecifika föreskrifterna för de material som ska bearbetas.**
- ▶ **Ta bort de dammpartiklar som har uppstått innan arbetet i riskklassen startas. Använd en byggdammsugare med en standardskyddsklassificering som motsvarar de lokala dammskyddsbestämmelserna.**
- ▶ **Observera de nationella arbetsskydds föreskrifterna.**

#### Elsäkerhet

- ▶ **Kontrollera arbetsområdet i förväg, om där finns dolda elkablar, gas- och vattenledningar, med t.ex. en metalldetektor.** Verktygets yttre metalldelar kan bli spänningsförande om du t.ex. råkar skada en elkabel. Detta innebär en allvarig risk för elstötar.

#### Omsorgsfull hantering och användning av batterier

- ▶ **Observera de särskilda föreskrifterna för transport, förvaring och användning av litiumjonbatterier.**
- ▶ **Håll batterierna borta från höga temperaturer och eld.** Explosionsrisk föreligger.
- ▶ **Batterier får inte tas isär, klämmas, upphettas till mer än 80 °C (176 °F) eller brännas upp.** Brand-, explosions- och skaderisk föreligger.
- ▶ **Skadade batterier, som till exempel är repade, har avbrutna delar, är böjda eller har tilltryckta eller utdragna kontakter, får aldrig laddas eller användas.**
- ▶ **Använd inte batteriet som energikälla för andra verktyg som inte finns angivna här.**
- ▶ **Om batteriet är så hett att du inte kan ta i det kan det vara defekt. Ställ batteriet på en plats där inget riskerar att fatta eld och på betryggande avstånd från eldfångt material, där du kan hålla det under uppsikt medan det svalnar. Kontakta Hilti-service när batteriet har svalnat.**

#### 2.4 Ytterligare säkerhetsföreskrifter för cirkelsågar

- ▶ **Handcirkelsågen ska alltid vara påslagen när den förs mot arbetsstycket.**
  - ▶ **Såglinjen måste vara fri från hinder på ovan- och undersidan. Såga inte i skruvar, spikar eller liknande.**
- ▶ **Arbeta aldrig med en cirkelsåg ovanför huvudet.**
- ▶ **Bromsa aldrig sågklingan genom att trycka mot den i sidled.**
- ▶ **Undvik överhettning av sågtändernas spetsar.**
- ▶ **Använd alltid en sågklinga som är avsedd för materialet som ska sågas.**





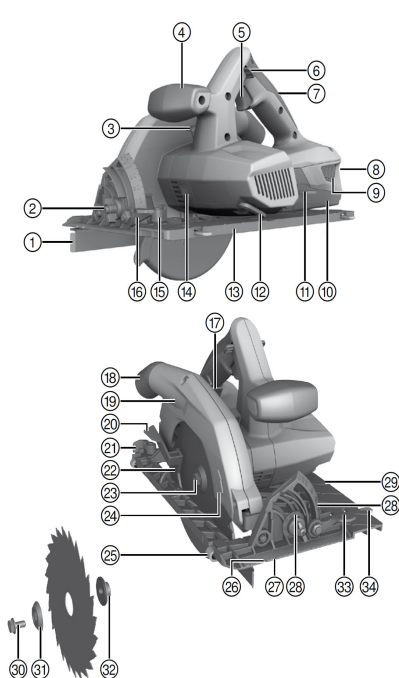
- Använd uteslutande de sågklingor som Hilti rekommenderar och som uppfyller standarden EN 847-1.

## 2.5 Omsorgsfull hantering och användning av batterier

- Observera de särskilda föreskrifterna för transport, förvaring och användning av litiumjonbatterier.
- Utsätt inte batterierna för höga temperaturer, direkt solljus eller eld.
- Batterier får inte tas isär, klämmas, upphettas till mer än 80 °C (176 °F) eller brännas upp.
- Använd eller ladda inte batterier som tagit emot slag, har fallit från över en meters höjd eller är skadade på något annat sätt. I sådana fall, kontakta **Hilti-service**.
- Om batteriet är så hett att du inte kan ta i det kan det vara defekt. Ställ batteriet på en plats där inget riskerar att fatta eld och på betryggande avstånd från brännbart material. Låt batteriet svalna. Om batteriet efter en timme fortfarande är så hett att det inte går att ta i är det defekt. Kontakta **Hilti-service**.

## 3 Beskrivning

### 3.1 Produktöversikt 1



- ① Parallellanslag med en arm
- ② Standardinställning för sågvinkel (22,5°, 45°, 50°)
- ③ Spindellåsknapp
- ④ Extra handtag
- ⑤ Strömbrytare
- ⑥ Tillkopplings spärr
- ⑦ Handtag
- ⑧ Laddningsstatus- och felindikering (litiumjonbatteri)
- ⑨ Utlösningssknapp med extrafunktion för visning av laddningsstatus
- ⑩ Batteri
- ⑪ Klämspak för snittdjupsinställning
- ⑫ Insexnyckel
- ⑬ Bottenplatta, liten
- ⑭ LED-belysning
- ⑮ Klämspak för parallellanslag framtill
- ⑯ Klämspak för sågvinkelinställning
- ⑰ Snittdjupsskala
- ⑱ Anslutningsstos (spånkanal)
- ⑲ Skyddskåpa
- ⑳ Manöverspak för pendelskyddskåpa
- ㉑ Klämspak för parallellanslag baktill (endast för stor bottenplatta)
- ㉒ Pendelskyddskåpa
- ㉓ Drivspindel
- ㉔ Rotationsriktningsspil
- ㉕ Parallellanslag, tvåarmat
- ㉖ Snittmarkering 0°
- ㉗ Snittmarkering 45°
- ㉘ Sågvinkelskala
- ㉙ Bottenplatta, stor
- ㉚ Spännskruv
- ㉛ Späninfläns
- ㉜ Stödbricka
- ㉝ Spårmarkering 0° bottenplatta
- ㉞ Spårmarkering 1°–50° bottenplatta



### 3.2 Adapter för styrskena

- Fäststag baktill
- Fäststag framtill

- Spårmarkering 0°
- Spårmarkering 1°–50°

### 3.3 Avsedd användning

Den beskrivna produkten är en batteridrivna cirkelsåg. Den är avsedd för sågarbeten i trä eller träliknande material, plast, gipsplattor, gipsfiberplattor och kompositmaterial.

Den handhållna cirkelsågen är utrustad med en avtagbar anslutningsstos för dammsugare/dammavskiljare som tillval, anpassad till de vanligaste dammsugarslangarna. En lämplig adapter kan behövas för att ansluta dammsugarslangens till sågen.

- ▶ Man får inte använda sågklingor som inte motsvarar de angivna specifikationerna (t.ex. vad gäller diameter, varvtal, tjocklek) eller kapnings- och slipskivor liksom klingor av höglegerat snabbstål (HSS-stål). Det går inte att såga i metall.
- ▶ Använd inte produkten för avsågning av grenar och trädstammar.
- ▶ Använd endast **Hiltis** litiumjonbatterier av typen Li-Ion B 22 med produkten.
- ▶ Använd endast **Hilti** batteriladdare i C4/36-serien för dessa batterier.

### 3.4 Indikering för litiumjonbatterier

Litiumjonbatteriets laddningsstatus och störningar i verktyget signaleras via batteriets indikeringar. Tryck på en av litiumjonbatteriets låsknappar för att se batterinivån.

Status	Betydelse
4 lysdioder lyser.	Laddningsstatus: 75 % till 100 %
3 lysdioder lyser.	Laddningsstatus: 50 % till 75 %
2 lysdioder lyser.	Laddningsstatus: 25 % till 50 %
1 lysdiod lyser.	Laddningsstatus: 10 % till 25 %
1 lysdiod blinkar, verktyget är färdigt att användas.	Laddningsstatus: < 10 %
1 lysdiod blinkar, verktyget är inte färdigt att användas.	Batteriet är överhettat eller helt urladdat.
4 lysdioder blinkar, verktyget är inte färdigt att användas.	Verktyget är överlastat eller överhettat.

- Det går inte att få reda på laddningsstatus när på/av-knappen är intryckt och i upp till fem sekunder efter det att på/av-knappen har släppts upp.  
Läs anvisningarna i kapitlet Felsökning om batteriets indikeringsdioder börjar blinka.

### 3.5 Parallellanslag

Med hjälp av det enarmade parallellanslaget är det möjligt att göra exakta snitt längs med kanten på ett arbetsstycke resp. såga lister efter exakta mått.

Parallellanslaget kan monteras på bottenplattans båda sidor.

### 3.6 Leveransinnehåll

Cirkelsåg, sågklinga, insexnyckel, parallellanslag, anslutningsstos för dammsugare, bruksanvisning, (tillval: styrskeneadapter).

- Av oss godkända reservdelar, förbrukningsmaterial och tillbehör till din produkt hittar du i närmaste **Hilti Store** eller på: [www.hilti.group](http://www.hilti.group).

### 3.7 Tillbehör

Spännfläns, stödbricka, spännskruv.



## 4 Teknisk information

### 4.1 Cirkelsåg

	SC 70W-A22
Märkspänning	21,6 V
Vikt enligt EPTA-direktivet 01	4,8 kg
Föreskriven diameter för sågklinga	190 mm
Stambladstjocklek	0,7 mm ... 1,5 mm
Snittbredd	1,5 mm ... 2 mm
Sågklingans axelhål	30 mm
Uppmätt tomgångsvarvtal	3 500 varv/min
Maximalt skärdjup 0°	70 mm
Maximalt skärdjup 45°	51 mm
Maximalt skärdjup 50°	45 mm
Geringssnittvinkel	0° ... 50°
Drifttemperatur	-10 °C ... 50 °C
Förvaringstemperatur (utan batteri)	-30 °C ... 70 °C

### 4.2 Batteri

Batteriets driftspänning	21,6 V
Omgivningstemperatur vid drift	-17 °C ... 60 °C
Förvaringstemperatur	-20 °C ... 40 °C
Batteritemperatur när laddningen påbörjas	-10 °C ... 45 °C

### 4.3 Bullerinformation och vibrationsvärden uppmätta enligt EN 62841

De ljudtrycks- och vibrationsvärden som anges i anvisningarna har uppmätts med en standardiserad mätmetod och kan användas för att jämföra olika elverktyg med varandra. De kan också användas för att göra en preliminär uppskattning av exponeringarna. De angivna värdena representerar borrhammarens huvudsakliga användning. När elverktyget begagnas inom andra områden, med andra insatsverktyg eller med otillräckligt underhåll, kan mätning ge avvikande värden. Det innebär att exponeringen under den totala arbetstiden kan ökas betydligt. För att uppskattningen av exponeringarna ska bli exakt bör man också räkna in de tider då verktyget är fränkopplat, eller då det är tillkopplat men inte används. Detta kan minska exponeringen betydligt under den totala arbetstiden. Vidta även andra säkerhetsåtgärder för att skydda användaren mot effekterna av buller och/eller vibrationer, exempelvis: Underhåll av elverktyg och insatsverktyg, möjlighet att hålla händerna varma, organisation av arbetsförloppen.

#### Bullervärden fastställda enligt EN 62841

	SC 70W-A22
Ljudeffektnivå ( $L_{WA}$ )	103 dB(A)
Osäkerhet ljudeffektnivå ( $K_{WA}$ )	3 dB(A)
Ljudtrycksnivå ( $L_{pA}$ )	92 dB(A)
Osäkerhet ljudtrycksnivå ( $K_{pA}$ )	3 dB(A)

#### Totalt vibrationsvärde (vektorsumman av tre riktningar), fastställt i överensstämmelse med EN 62841

	SC 70W-A22
Vibrationsemissionsvärde, sågning i trä ( $A_{h, w}$ )	0,93 m/s <sup>2</sup>
Osäkerhet (K)	1,5 m/s <sup>2</sup>



## 5 Användning

---

### 5.1 Förberedelser för arbete

#### 5.1.1 Laddning av batteri

1. Läs batteriladdarens bruksanvisning innan du laddar batteriet.
2. Se till att batteriets och batteriladdarens sladdar är rena och torra.
3. Ladda batteriet i en godkänd batteriladdare. 68

#### 5.1.2 Sätta i batteriet

 **VARNING**

**Risk för personskada på grund av kortslutning eller nedfallande batteri!**

- ▶ Kontrollera innan du sätter in batteriet i produkten att både batteriets och produktens kontakter är fria från smuts och andra hinder.
- ▶ Säkerställ att batteriet alltid hakar i ordentligt.

1. Ladda batterierna helt innan de används första gången.
2. Skjut in batteriet i produkten tills det hakar i med ett klick.
3. Kontrollera att batteriet sitter stadigt.

#### 5.1.3 Ta ur batteri

1. Tryck in batteriets spärrar.
2. Ta ut batteriet ur verktyget.

#### 5.1.4 Demontering av sågklinga

 **VARNING**

**Risk för bränn- och skärskador om du vidrör sågklingan, spännskruven eller spännfläsen** Det kan leda till brännskador och skärskador.

- ▶ Du bör använda skyddshandskar när du byter tillbehör.

1. Ta ur batteriet.
2. Sätt in insexnyckeln i sågklingans spännskruv.
3. Tryck på spindellåsknappen och håll den intryckt.
4. Vrid sågklingans spännskruv med insexnyckeln tills spindellåsknappen snäpper fast fullständigt.
5. Lossa spännskruven med insexnyckeln genom att vrida åt det håll rotationsriktningsspilen pekar.
6. Ta bort spännskruven och den yttre spännfläsen.
7. Öppna pendelskyddskåpan genom att svänga den åt sidan och ta bort sågklingan.



Stödbrickan kan vid behov avlägsnas för rengöring.

#### 5.1.5 Montering av sågklinga

 **FÖRSIKTIGHET**

**Risk för skador!** Sågklingor som inte passar eller som är fel insatta kan skada sågen.

- ▶ Använd bara sågklingor som är lämpliga för den aktuella sågen. Observera pilen som visar sågklingans rotationsriktning.
- ▶ Använd endast sågklingor vars tillåtna varvtal är minst så högt som det maximala varvtalet som anges på produkten.



**Kontrollera att sågklingan som ska spännas uppfyller de tekniska kraven och att den är slipad.**  
En vass sågklinga är nödvändig för ett felfritt snitt.

1. Ta ur batteriet.
2. Rengör stödbrickan och spännfläsen.
3. Montera stödbrickan med korrekt orientering på drivspindeln.
4. Öppna pendelskyddskåpan.
5. Fäst den nya sågklingan.



6. Trä på den yttre spännflänsen vänd åt rätt håll.
7. Sätt i spännskruven.
8. Sätt i insexnyckeln i sågklingans spännskruv.
9. Tryck på spindellåsknappen.
10. Fäst spännflänsen med spännskruven genom att vrida insexnyckeln i motsatt riktning mot pilen.
  - ▶ Spindellåsknappen häktar fast.
11. Kontrollera att sågklingan sitter ordentligt fast och i rätt läge innan verktyget startas.

### 5.1.6 Ställa in snittdjup

1. Ta ur batteriet.
2. Lossa snittdjupsinställningens klämspak.
3. Lyft produkten med en skärande rörelse och ställ in snittdjupet genom att dra åt klämspaken.



Snittdjupet ska alltid vara ca 5 till 10 mm större än tjockleken på materialet som ska sågas. På baksidan av skyddskåpan finns en skala med visare där man kan avläsa det inställda djupet.

### 5.1.7 Ställa in sågvinkel

1. Ta ur batteriet.
2. Lossa klämspaken för sågvinkelinställning.
3. Sväng produkten till önskat läge.



Standardinställningen för sågvinkel gör det möjligt att enkelt ställa in den maximala vinkeln 22,5°/45°/50°.

4. Dra åt klämspaken för sågvinkelinställningen.

### 5.1.8 Såga med rits



På cirkelsågens främre bottenplatta sitter en ritsindikator för rak sågning och geringssågning (0° och 45°). Den möjliggör exakt sågning med vald sågvinkel. Kanten på ritsen motsvarar sågklingans insida. En snittvisare finns vid den främre urskärningen för sågklingan.



Fäst arbetsstycket ordentligt så det inte rubbas ur sitt läge. Placera arbetsstycket så att sågklingan löper fritt under arbetsstycket. Försäkra dig om att produktens på/av-knapp står i frånläge. Ställ produkten med bottenplattan på arbetsstycket så att sågklingan inte kommer i kontakt med arbetsstycket.

1. Sätt i batteriet.
2. Starta produkten genom att trycka in på/av-knappen med tillkopplingsspärr nedtryckt.
3. För produkten längs med ritsen genom arbetsstycket i lämplig arbetstakt.

### 5.1.9 Montera/ställa in parallellanslag

1. Ta ur batteriet.
2. Skruva ner klämskruven i bottenplattan bara så långt att det fortfarande finns tillräckligt med plats för att skjuta in parallellanslaget.
3. Skjut in parallellanslagets styrskena under klämskruven.
4. Ställ in önskad snittbredd.
5. Dra åt klämskruven.



Parallellanslaget (enarmad eller tvåarmad) kan monteras på båda sidor av bottenplattan. Det tvåarmade parallellanslaget kan bara användas med den stora bottenplattan. Med hjälp av parallellanslaget är det möjligt att göra exakta snitt längs med kanten på ett arbetsstycke resp. såga lister efter exakta mått.



### 5.1.10 Montering av styrskeneadaptern 9



Sågen kan utrustas med en styrskeneadapter som tillhör.

För sågar med liten bottenplatta bör du använda en styrskeneadapter som passar till styrskenan.

1. Ta ur batteriet.
2. Ta bort parallellanslaget om ett sådant monterats.
3. För in bottenplattan i fäststagen på sidorna av styrskeneadaptern.
4. Sätt in bottenplattan i styrskeneadaptern helt och hållet.
5. Lås styrskeneadaptern genom att trycka in båda sliderna ända till anslaget.

## 5.2 Arbete

### 5.2.1 Tillkoppling

- ▶ Starta produkten genom att trycka in på/av-knappen med tillkopplingsspärr nedtryckt.

### 5.2.2 Frånkoppling

- ▶ Stoppa verktyget genom att släppa på strömbrytaren.

### 5.2.3 Längssågning vid 0° 10

1. Placera cirkelsågen med spårmarkeringen "0°" på styrskenans kanal.
2. Starta produkten genom att trycka in på/av-knappen med tillkopplingsspärr nedtryckt.
3. För produkten i lämplig arbetstakt längs skenan och genom arbetsstycket.

### 5.2.4 Längssågning med vinkel upp till 50° 11

1. Ställ in vinkeln.



#### **VARNING**

**Risk för kollision vid vinkelsågning!** Kollisioner mellan sågklinga och styrskenan.

- ▶ Sätt sågen i styrskenans kanal med rätt spår. Annars kan sågklingan krocka med skenan.
2. Placera sågen med spårmarkeringen märkt "1°-50°" på styrskenans kanal.
  3. Starta produkten genom att trycka in på/av-knappen med tillkopplingsspärr nedtryckt.
  4. För produkten i lämplig arbetstakt längs skenan och genom arbetsstycket.

### 5.2.5 Geringssågning 12

1. Lägg styrskenan med nollpunkten på materialkanten och vrid skenan tills du får önskad vinkel på vinkelskalan i förhållande till nollpunkten. Sågvinkeln som visas anger den vinkel med vilken snittet avviker från det raka, rätvinkliga snittet.
2. Fixera styrskenan med de två skruvvingarna.
3. Placera cirkelsågen med spårmarkeringen "0°" på styrskenans kanal.
4. Starta produkten genom att trycka in på/av-knappen med tillkopplingsspärr nedtryckt.
5. För produkten i lämplig arbetstakt längs skenan och genom arbetsstycket.

### 5.2.6 Sågning utan spänsugning

1. Kontrollera att spänen kan kastas ut fritt.
2. Vid behov kan anslutningsstosen tas bort från skyddskåpan efter det att insexskruven har öppnats med den insexnyckel som medföljer produkten.

## 6 Skötsel och underhåll



#### **VARNING**

**Risk för personskada vid anslutet batteri !**

- ▶ Ta alltid bort batteriet innan skötsel och underhåll utförs!

### Skötsel av produkten

- Ta försiktigt bort smuts som sitter fast.
- Rengör ventilationsspringorna försiktigt med en torr och mjuk borste i förekommande fall.



- Rengör höljet bara med en lätt fuktad trasa. Använd inte rengöringsmedel med silikon, eftersom det kan skada plastdelarna.
- Använd en ren och torr trasa för att rengöra produktens kontakter.

#### Skötsel av litiumjonbatterier

- Använd aldrig ett batteri med tilltäppta ventilationsspringor. Rengör ventilationsspringorna försiktigt med en torr och mjuk borste.
- Undvik att utsätta batteriet för onödigt mycket damm eller smuts. Utsätt aldrig batteriet för hög fukt (t.ex. genom att sänka ner det i vatten eller låta det stå i regnet). Om ett batteri har blivit genombliött ska det hanteras som ett skadat batteri. Förvara det i en brandsäker behållare och kontakta **Hilti**-service.
- Håll batteriet fritt från främmande olja och fett. Låt inte onödigt mycket damm eller smuts ansamlas på batteriet. Rengör batteriet med en mjuk borste eller en ren och torr trasa. Använd inte rengöringsmedel med silikon, eftersom det kan skada plastdelarna.  
Rör inte vid batteriets kontakter och ta inte bort fett på kontakterna som har applicerats i fabriken.
- Rengör höljet bara med en lätt fuktad trasa. Använd inte rengöringsmedel med silikon, eftersom det kan skada plastdelarna.

#### Underhåll

#### VARNING

**Risk för elstöt!** Felfelagta utförda reparationer på elektriska delar kan leda till svåra skador och brännskador.

- ▶ Reparationer på de elektriska delarna får endast utföras av behörig fackman.
- Kontrollera regelbundet att inga synliga delar har skadats och att alla reglage fungerar som de ska.
- Använd inte produkten om den uppvisar skador eller funktionsstörningar. Låt **Hilti Service** reparera produkten omgående.
- Efter skötsel- och underhållsarbeten ska alla skyddsanordningar monteras igen och kontrolleras.

Använd endast originalreservdelar, -förbrukningsmaterial och -tillbehör för säker drift. Godkända reservdelar, förbrukningsmaterial och tillbehör till din produkt från **Hilti** hittar du i närmaste **Hilti Store** eller på: [www.hilti.group](http://www.hilti.group)

### 6.1 Rengöring av skyddsanordning

1. Ta bort skyddsanordningen från sågklingan för att rengöra den.
2. Rengör skydden försiktigt med en torr borste.
3. Ta bort avlagringar och sågspån inuti skyddsanordningarna med något lämpligt verktyg.
4. Montera sågklingan.

### 6.2 Arbetssteg vid igensatt spånkanal

1. Ta ur batteriet.
2. Rengör spånkanalen.

Sågklingan kan behöva demonteras. 70

3. Kontrollera att rörliga komponenter fungerar felfritt och inte kärvar, att komponenter inte har gått sönder eller skadats och att produkten i alla avseenden är funktionsduglig.

### 6.3 Kontroll efter service- och underhållsarbeten

Efter service- och underhållsarbeten ska du kontrollera att alla skyddsanordningar har satts på och fungerar väl.

- ▶ Kontrollera pendelskyddskåpan genom att öppna den helt med hjälp av manöverspaken.
  - ▶ När du släpper manöverspaken ska pendelskyddskåpan stängas snabbt och fullständig.



## 7 Transport och förvaring

### Transport av batteridrivna insatsverktyg och batterier

#### FÖRSIKTIGHET

#### Oavsiktlig start under transport. !

- ▶ Transportera alltid produkten utan insatta batterier.
- ▶ Ta ut batteriet/batterierna.
- ▶ Transportera aldrig batterierna löst liggande. Under transport ska batterierna skyddas mot alltför hårda stötar och vibrationer samt hållas isolerade från eventuella ledande material eller andra batterier så att de inte kommer i kontakt med andra batteripoler och orsakar en kortslutning. **Observera lokala transportföreskrifter för batterier.**
- ▶ Batterier får inte skickas per post. Vänd dig till ett fraktbolag om du vill skicka intakta batterier.
- ▶ Kontrollera produkt och batterier före varje användning samt före och efter längre transport för att se till att de inte är skadade.

### Förvaring av batteridrivna insatsverktyg och batterier

#### VARNING

#### Oavsiktlig skada på grund av trasiga eller läckande batterier. !

- ▶ Förvara alltid produkten utan insatta batterier.
- ▶ Förvara produkt och batterier svalt och torrt. Följ de temperaturgränsvärden som anges i den tekniska informationen.
- ▶ Förvara inte batterierna i batteriladdaren. Ta alltid ur batteriet ur laddaren när laddningen är klar.
- ▶ Förvara aldrig batterier i solen, på värmekällor eller bakom glas.
- ▶ Förvara produkt och batterier utom räckhåll för barn och obehöriga personer.
- ▶ Kontrollera produkt och batterier före varje användning samt före och efter längre tids förvaring för att se till att de inte är skadade.

## 8 Felsökning

- ▶ Kontakta **Hilti**-service om det uppstår ett fel som inte finns med i den här tabellen eller som du inte lyckas åtgärda på egen hand.

### 8.1 Cirkelsågen är inte klar att användas

Fel	Möjlig orsak	Lösning
Lysdioderna visar inget.	Batteriet har inte tryckts in hela vägen.	▶ Sätt i batteriet.
	Batteriet är urladdat.	▶ Ladda batteriet.
	Batteriet för varmt eller för kallt.	▶ Flytta batteriet till en plats med rätt omgivningstemperatur.
1 lysdiod blinkar.	Batteriet är urladdat.	▶ Ladda batteriet.
	Batteriet för varmt eller för kallt.	▶ Flytta batteriet till en plats med rätt omgivningstemperatur.
4 lysdioder blinkar.	Cirkelsågen har tillfälligt överbelastats.	▶ Släpp på/av-knappen och tryck in den igen.
	Överhettningsskydd.	▶ Låt cirkelsågen svalna och rengör ventilationsspringorna.

### 8.2 Cirkelsågen är klar att användas

Fel	Möjlig orsak	Lösning
På/av-knappen kan inte tryckas in resp. är spärrad.	Inga fel (säkerhetsfunktion).	▶ Tryck in tillkopplingsspärren.
Varvtalet sjunker plötsligt.	Batteriet är urladdat.	▶ Ladda batteriet.
	För stark frammatning.	▶ Minska frammatningen och koppla till produkten igen.





Fel	Möjlig orsak	Lösning
Spånorna transporteras inte till spånbehållaren och faller ner på bottenplattan.	Spånbehållaren full.	► Töm spånbehållaren.
	Spånkanalen igensatt.	► Rengör spånkanalen. 73
Sågklingan stannar.	För stark frammatning.	► Minska frammatningen och koppla till produkten igen.
Batteriet laddas ur fortare än vanligt.	Batteriet fungerar inte optimalt.	► Byt ut batteriet.
Batteriet hakar inte i med ett hörbart "dubbelklick".	Batteriets låsmekanism är smutsig.	► Rengör låsmekanismen och haka i batteriet. Kontakta <b>Hilti-Service</b> om problemet kvarstår.
Stark värmeutveckling i cirkelsågen eller batteriet.	Elektriskt fel	► Stäng genast av cirkelsågen. Ta ut batteriet och granska det. Låt batteriet svalna. Kontakta <b>Hilti-service</b> .
	Produkten är överbelastad (användningsgränsen har överskridits).	► Välj ett verktyg som passar för uppgiften.
Sågen vibrerar kraftigt	Sågklingan har monterats fel	► Montera sågklingan på rätt sätt. 70

## 9 Avfallshantering

### VARNING

**Risk för personskada på grund av felaktig avfallshantering!** Hälsorisk på grund av läckande gaser eller syror.

- Skicka aldrig iväg skadade batterier!
- Täck anslutningarna med ett icke ledande material för att förhindra kortslutningar.
- Kassera batterier så att de inte kan hamna i händerna på barn.
- Kassera batteriet hos din **Hilti Store** eller vänd dig till närmaste återvinningscentral.

**Hilti**-produkter är till stor del tillverkade av återvinningsbara material. En förutsättning för återvinning är att materialen separeras på rätt sätt. I många länder tar **Hilti** tillbaka din gamla enhet för återvinning. Fråga **Hilti** kundservice eller din säljare.



- Kasta inte elverktyg, elektronisk apparatur och batterier i hushållssoporna.

## 10 RoHS (föreskrifter för begränsning av användningen av farliga ämnen)

Använd den här länken för att komma till tabellen över farliga ämnen: [qr.hilti.com/r2937785](http://qr.hilti.com/r2937785).

En länk till RoHS-tabellen hittar du i slutet på det här dokumentet i form av en QR-kod.

## 11 Tillverkargaranti

- Vänd dig till din lokala **Hilti**-representant om du har frågor om garantivillkoren.



# Original bruksanvisning

## 1 Informasjon om bruksanvisningen

### 1.1 Om denne bruksanvisningen

- Det er viktig at bruksanvisningen leses før produktet brukes for første gang. Dette er en forutsetning for sikkerhet under arbeidet og problemfritt bruk.
- Følg sikkerhetsanvisningene og advarslene i denne bruksanvisningen og på produktet.
- Oppbevar alltid bruksanvisningen sammen med produktet, og sørg for at bruksanvisningen alltid følger med hvis produktet overtas av andre personer.

### 1.2 Symbolforklaring

#### 1.2.1 Farehenvvisninger

Farehenvvisninger advarer mot farer under håndtering av produktet. Følgende signalord brukes:



**FARE**

**FARE !**

- For en umiddelbart truende fare som kan føre til alvorlige personskader eller død.



**ADVARSEL**

**ADVARSEL !**

- Varsler en mulig fare som kan føre til alvorlige personskader eller død.



**FORSIKTIG**

**FORSIKTIG !**

- Varsler om en mulig farlig situasjon som kan føre til personskade eller materiell skade.

#### 1.2.2 Symboler i bruksanvisningen

Følgende symboler benyttes i denne bruksanvisningen:

	Følg bruksanvisningen
	Bruksanvisninger og andre nyttige opplysninger
	Håndtering av resirkulerbare materialer
	Ikke kast elektriske apparater eller batterier i husholdningsavfallet
	<b>Hilti</b> li-Ion-batteri
	<b>Hilti</b> Lader

#### 1.2.3 Symboler i illustrasjoner

Følgende symboler brukes i illustrasjonene:

	Disse tallene viser til illustrasjonen i begynnelsen av denne bruksanvisningen.
	Nummereringen i illustrasjoner henviser til viktige arbeidstrinn eller viktige komponenter for arbeidstrinnene. I teksten i blir disse arbeidstrinnene eller komponentene markert med tilhørende numre, f.eks. <b>(3)</b> .
	Posisjonsnumrene brukes i illustrasjonen <b>Oversikt</b> og henviser til numrene på teksten i avsnittet <b>Produktoversikt</b> .
	Dette symbolet betyr at håndtering av produktet krever stor grad av oppmerksomhet.



### 1.3 Produktavhengige symboler

#### 1.3.1 Symboler

Følgende symboler kan forekomme på produktet:

	Nominelt tomgangsturtall
	Likestrøm
RPM	Omdreiningar per minutt
	Diameter
	Sagblad
	Produktet støtter trådløs dataoverføring som er kompatibel med iOS- og Android-plattformer.
Li-Ion	Li-ion-batteri
	Benyttet Hilti li-Ion-batteriserie. Følg anvisningene i kapitlet <b>Forskriftsmessig bruk</b> .
	Bruk aldri batteriet som slagverktøy.
	Ikke mist ned batteriet. Ikke bruk et batteri som har vært utsatt for støt eller er skadet på annen måte.

### 1.4 Produktinformasjon

**HILTI**-produkter er laget for profesjonell bruk og må kun brukes, vedlikeholdes og repareres av kyndig personale. Dette personalet må informeres om eventuelle farer som kan oppstå. Produktet og tilleggsutstyret kan utgjøre en fare hvis det betjenes av ukvalifisert personale eller det benyttes feil.

Typebetegnelse og serienummer står på typeskiltet.

- Skriv inn serienummeret i tabellen nedenfor. Du trenger produktspesifikasjonene ved henvendelser til Hiltis representant eller servicesenter.

#### Produktspesifikasjoner

Sirkelsag	SC 70W-A22
Generasjon	01
Serienummer	

### 1.5 Samsvarserklæring

Vi erklærer herved at produktet som er beskrevet her, er i samsvar med gjeldende normer og direktiver. Du finner et bilde av samsvarserklæringen på slutten av denne dokumentasjonen.

Den tekniske dokumentasjonen er lagret her:

Hilti Entwicklungsgesellschaft mbH | Zulassung Geräte | Hiltistraße 6 | 86916 Kaufering, DE

## 2 Sikkerhet

### 2.1 Generelle sikkerhetsregler for elektroverktøy

**⚠ ADVARSEL Les alle sikkerhetsanvisninger, instruksjoner, illustrasjoner og tekniske data som elektroverktøyet er utstyrt med.** Manglende overholdelse av anvisningene nedenfor kan medføre elektrisk støt, brann og/eller alvorlige personskader.

#### Overhold alle sikkerhetsanvisninger og instruksjoner i hele bruksperioden.

Begrepet "elektroverktøy" som er brukt i sikkerhetsanvisningene, viser til nettdrevne elektroverktøy (med nettkabel) eller til batteridrevne elektroverktøy (uten nettkabel).

#### Sikkerhet på arbeidsplassen

- **Hold arbeidsområdet rent og godt opplyst.** Rotete eller dårlig belyste arbeidsområder kan føre til ulykker.



- ▶ **Bruk ikke elektroverktøyet i eksplosjonsfarlige omgivelser hvor det befinner seg brennbare flytende stoffer, gasser eller støv.** Elektroverktøy lager gnister som kan antenne støv eller damp.
- ▶ **Hold barn og andre personer på sikker avstand mens elektroverktøyet brukes.** Hvis du blir forstyrret under arbeidet, kan du miste kontrollen over verktøyet.

### Elektrisk sikkerhet

- ▶ **Elektroverktøyets støpsel må passe i stikkkontakten. Støpselet må ikke forandres på noen som helst måte. Bruk ikke adapterkontakt på jordete elektroverktøy.** Uendrede støpsler og egnede stikkontakter minsker risikoen for elektrisk støt.
- ▶ **Unngå kroppskontakt med jordete overflater som rør, radiatorer, komfyrer eller kjøleskap.** Risikoen for elektriske støt er høyere når kroppen er jordet.
- ▶ **Hold elektroverktøyet unna regn og fuktighet.** Risikoen for elektrisk støt øker ved inntrenging av vann i et elektroverktøy.
- ▶ **Bruk ikke ledningen til å bære elektroverktøyet, henge det opp eller til å dra støpselet ut av stikkkontakten. Hold ledningen unna varme, olje, skarpe kanter og deler som beveger seg.** Skadde eller sammenviklede ledninger øker risikoen for elektriske støt.
- ▶ **Bruk kun skjøteledninger som også er godkjent for utendørs bruk når du arbeider med et elektroverktøy utendørs.** Bruk av skjøteledning som er egnet til utendørs bruk, minsker risikoen for elektrisk støt.
- ▶ **Må elektroverktøyet brukes i fuktige omgivelser, er det nødvendig å bruke en jordfeilbryter.** Bruk av en jordfeilbryter reduserer risikoen for elektrisk støt.

### Personsikkerhet

- ▶ **Vær oppmerksom, pass på hva du gjør, og gå fornuftig fram under arbeidet med et elektroverktøy. Ikke bruk elektroverktøy når du er trøtt eller påvirket narkotika, alkohol eller medikamenter.** Et øyeblikks uoppmerksomhet ved bruk av elektroverktøyet kan være nok til å forårsake alvorlige personskader.
- ▶ **Bruk alltid personlig verneutstyr og vernebriller.** Bruk av personlig verneutstyr som støvmaske, sklisikre vernesko, hjelm eller hørselsvern – avhengig av type og bruk av elektroverktøyet – reduserer risikoen for skader.
- ▶ **Unngå utilsiktet start. Forsikre deg om at elektroverktøyet er slått av før du setter i stikkkontakten eller batteriet og før du løfter eller flytter elektroverktøyet.** Hvis du holder fingeren på bryteren når du bærer elektroverktøyet, eller kobler elektroverktøyet til strøm i innkoblet tilstand, kan dette føre til uhell.
- ▶ **Fjern justeringsverktøy og skrunøkkel før du slår på elektroverktøyet.** Et verktøy eller en nøkkel som befinner seg i en roterende maskindel, kan føre til skader.
- ▶ **Unngå uhensiktsmessige arbeidsposisjoner. Sørg for å stå stødig og i balanse.** Dermed kan du kontrollere elektroverktøyet bedre i uventede situasjoner.
- ▶ **Bruk egnede klær. Ikke bruk vide klær eller smykker. Hold hår, tøy og hansker unna deler som beveger seg.** Løstsittende tøy, smykker eller langt hår kan komme inn i deler som beveger seg.
- ▶ **Hvis det er montert støvavsugs- og oppsamlingsinnretninger, må det kontrolleres at disse er koblet til og blir brukt på riktig måte.** Bruk av støvavsug kan redusere faremomentene i forbindelse med støv.
- ▶ **Ikke føl deg for trygg og ikke bryt sikkerhetsreglene for elektroverktøy, heller ikke når du etter lang tids bruk er blitt fortrolig med elektroverktøyet.** Et øyeblikks uaktsomhet kan føre til alvorlige personskader.

### Bruk og behandling av elektroverktøyet

- ▶ **Ikke overbelast verktøyet. Bruk et elektroverktøy som er beregnet til den type arbeid du vil utføre.** Med et passende elektroverktøy arbeider du bedre og sikrer i det angitte effektområdet.
- ▶ **Ikke bruk elektroverktøy med defekt bryter.** Et elektroverktøy som ikke lenger kan slås av eller på, er farlig og må repareres.
- ▶ **Dra ut støpselet fra stikkkontakten og/eller ta ut et uttakbart batteri før du foretar maskinnstillinger, bytter tilleggsutstyr eller legger bort verktøyet.** Disse tiltakene forhindrer utilsiktet start av elektroverktøyet.
- ▶ **Oppbevar elektroverktøy som ikke brukes, utenfor barns rekkevidde. La ikke personer som ikke er fortrolige med verktøyet eller ikke har lest disse instruksjonene, bruke verktøyet.** Elektroverktøy er farlige når de brukes av uerfarne personer.
- ▶ **Sørg for grundig stell og vedlikehold av elektroverktøyet med tilbehør. Kontroller at bevegelige deler på elektroverktøyet fungerer feilfritt og ikke klemmes fast, og at ingen deler er brukt eller skadet, slik at dette innvirker på elektroverktøyets funksjon. La skadde deler repareres før elektroverktøyet brukes.** Mange ulykker er et resultat av dårlig vedlikeholdte elektroverktøy.
- ▶ **Hold skjæreverktøy skarpe og rene.** Godt vedlikeholdte skjæreverktøy med skarpe skjærekanten blir sjeldnere fastklemt og er lettere å styre.



- ▶ **Bruk elektroverktøy, tilbehør, arbeidsverktøy osv. i overensstemmelse med denne anvisningen.** Ta hensyn til arbeidsforholdene og arbeidet som skal utføres. Bruk av elektroverktøy til andre formål enn det som er angitt, kan føre til farlige situasjoner.
- ▶ **Hold håndtak og gripeflater tørre, rene og frie for olje og fett.** Glatte håndtak og gripeflater gir ikke sikker betjening og kontroll av elektroverktøyet i uforutsette situasjoner.

#### Bruk og behandling av det batteridrevne elektroverktøyet

- ▶ **Bruk kun ladere som er anbefalt av produsenten når du skal lade batteriene.** Det oppstår brannfare når det brukes andre batterier i en lader enn dem laderen er egnet for.
- ▶ **Bruk bare batterier som er beregnet for de forskjellige elektroverktøyene.** Bruk av andre batterier kan medføre skader og brannfare.
- ▶ **Unngå å oppbevare ubrukte batterier i nærheten av binders, mynter, nøkler, nagler, skruer eller andre små metallgjenstander som kan forårsake kortslutning av kontakten.** En kortslutning mellom batterikontaktene kan føre til forbrenninger eller brann.
- ▶ **Ved feil bruk kan væske lekke fra batteriet. Unngå kontakt med denne væsken. Ved tilfeldig kontakt må det skylles med vann. Hvis det kommer væske i øynene, må du i tillegg oppsøke lege.** Batterivæske som renner ut, kan føre til irritasjoner på huden eller forbrenninger.
- ▶ **Ikke bruk batterier som er skadde eller modifiserte.** Skadde eller modifiserte batterier kan oppføre seg uforutsigbart og forårsake brann, eksplosjon eller personskade.
- ▶ **Ikke utsett batteriet for åpen ild eller høye temperaturer.** Ild eller temperaturer over 130 °C (265 °F) kan forårsake eksplosjon.
- ▶ **Følg alle anvisningene for lading, og lad aldri batteriet eller det batteridrevne verktøyet utenfor temperaturområdet som er angitt i bruksanvisningen.** Feil lading eller lading utenfor det tillatte temperaturområdet kan ødelegge batteriet og øke brannfaren.

#### Service

- ▶ **Elektroverktøyet må kun repareres av kvalifisert fagpersonale og kun med originale reservedeler.** Slik opprettholdes maskinens sikkerhet.
- ▶ **Vedlikehold ikke skadde batterier.** Alt vedlikehold på batterier skal utføres av produsenten eller et godkjent serviceverksted.

## 2.2 Sikkerhetsanvisninger for alle sager

### Saging

- ▶ **⚠ FARE: Hold hendene unna sagområdet og sagbladet. Hold den andre hånden på ekstrahåndtaket eller motorhuset.** Hvis du holder saken med begge hender, kan ikke hendene bli skadd av sagbladet.
- ▶ **Hold ikke under arbeidsstykket.** Under arbeidsstykket gir beskyttelseskappen ingen beskyttelse mot sagbladet.
- ▶ **Tilpass snittdybden til arbeidsstykkets tykkelse.** Under arbeidsstykket skal mindre enn en full tannhøyde være synlig.
- ▶ **Hold aldri arbeidsstykket du sager, fast med hånden eller bena. Sikre arbeidsstykket med et stabilt feste.** Det er viktig å feste arbeidsstykket skikkelig slik at faren for kroppskontakt, sagblad i klem eller at du mister kontrollen, blir minst mulig.
- ▶ **Hold alltid elektroverktøyet i de isolerte gripeflatene når du utfører arbeid der elektroverktøyet kan treffe på skjulte strømledninger.** Kontakt med en spenningsførende ledning setter også maskinens metalldele under spenning og fører til elektrisk støt.
- ▶ **Bruk alltid anslag eller en rett kantfører ved langsgående skjæring.** Dette gir mer nøyaktige snitt og reduserer muligheten for at sagbladet kommer i klem.
- ▶ **Bruk alltid sagblad i riktig størrelse og med passende festehull (f.eks. stjerneformet eller rundt).** Sagblad som ikke passer til sagens monteringsdele, går ujevnt og fører til at du mister kontrollen.
- ▶ **Sagblad, underlagsskiver og skruer må ikke være skadd eller av feil type.** Underlagsskivene og skruene er konstruert spesielt til din sag for optimal ytelse og driftssikkerhet.

### Rekyl – årsaker og relevante sikkerhetsanvisninger

- Rekyl er en plutselig reaksjon fra et sagblad som setter seg fast, klemmes fast eller har feil retning slik at saken løfter seg ukontrollert fra arbeidsstykket og kan bevege seg mot operatøren.
- Hvis sagbladet setter seg fast eller klemmes fast, blir det blokkert, og motorkraften slår saken tilbake mot operatøren.
- Dersom sagbladet får en vridning eller retning, kan tennene i den bakre delen av sagbladet sette seg fast i overflaten på arbeidsstykket, slik at sagbladet hopper ut av sagsporet og beveger seg bakover mot operatøren.



Rekyl følger av feil bruk av sagen. Den kan hindres gjennom egnede forholdsregler som beskrevet nedenfor.

- ▶ **Hold sagen fast med begge hender, og hold armene i en stilling der du kan fange opp rekylkraften. Hold deg alltid på siden av sagbladet, og plasser aldri sagbladet på linje med kroppen.** Ved rekyl kan sirkelsagen slenges bakover, men operatøren kan takle rekylkraften gjennom egnede forholdsregler.
- ▶ **Hvis sagbladet klemmes fast eller du avbryter arbeidet, må du slå av sagen og holde den i ro i arbeidsmaterialet til sagbladet har stanset helt. Prøv aldri å fjerne sagen fra arbeidsstykket eller trekke den bakover så lenge sagbladet er i bevegelse, ellers er det fare for rekyl.** Undersøk og eliminer årsaken til fastklemming av sagbladet.
- ▶ **Når du skal starte en sag som sitter fast i arbeidsstykket, sentrerer du sagbladet i spalten og kontrollerer at sagtennene ikke har haket seg fast i arbeidsstykket.** Hvis sagbladet er kommet i klem, kan det bevege seg ut av arbeidsstykket eller forårsake rekyl når sagen startes på nytt.
- ▶ **Støtt opp store plater slik at det blir mindre risiko for rekyl på grunn av et sagblad i klem.** Store plater kan bryte under sin egen vekt. Platene må støttes opp på begge sider, både i nærheten av sagsnittet og ved endene.
- ▶ **Bruk aldri sløve eller skadde sagblad.** Sagblad med sløve tenner eller tenner som sitter feil, gir for trang sagespalte, og dette fører til økt friksjon, sagblad i klem og rekyl.
- ▶ **Skru fast sagedybde- og sagesvinkelinnstillingene før du begynner å sage.** Hvis du forandrer innstillingene under saging, kan sagbladet klemmes fast og det kan oppstå rekyl.
- ▶ **Vær ekstra forsiktig ved saging i eksisterende vegger eller i andre usynlige områder.** Sagbladet som stikkes inn, kan blokeres av skjulte objekter under saging, noe som kan forårsake rekyl.

### 2.3 Ekstra sikkerhetsanvisninger

#### Personsikkerhet

- ▶ **Manipulering eller modifisering av maskinen er ikke tillatt.**
- ▶ **Hold alltid maskinen fast med begge hendene i de to håndtakene. Hold håndtakene tørre, rene og fri for olje og fett.**
- ▶ **Bruk hørselsvern.** Påvirkning av støy kan føre til hørselstap.
- ▶ **Hvis maskinen brukes uten støvavsug, må man bruke støvmaske når arbeidet forårsaker støv.**
- ▶ **Bruk maskinen kun med tilhørende verneutstyr.**
- ▶ **Ta pauser fra arbeidet og foreta avspennings- og fingerøvelser for å øke blodgjennomstrømmingen i fingrene.**
- ▶ **Maskinen er ikke beregnet for svake personer uten opplæring.**
- ▶ **Sørg for at maskinen ikke er tilgjengelig for barn.**
- ▶ **Ikke slå på produktet før du er på arbeidsplassen.**
- ▶ **Ta ut batteriet ved lagring og transport av maskinen.**
- ▶ **Arbeid ikke med produktet over hodehøyde.**
- ▶ **Ikke brems produktet ved å trykke mot sagbladet fra sidene.**
- ▶ **Saglinjen må være fri for hindringer. Sag ikke i skruer, spiker o.l.**
- ▶ **Rør ikke spennflensen og spennskruen mens maskinen går.**
- ▶ **Trykk aldri på bryteren for spindellåsen mens sagbladet roterer.**
- ▶ **Rett ikke maskinen mot personer.**
- ▶ **Tilpass fremføringskraften til sagbladet og materialet det arbeides med, slik at sagbladet ikke blokkeres og dermed forårsaker rekyl.**
- ▶ **Unngå overoppheting av sagtannspissene.**
- ▶ **Ved saging i plast bør man unngå å smelte platen.**
- ▶ **Støv fra materialer som blyholdig maling, enkelte tresorter, betong/mur/stein som inneholder kvarts, mineraler og metaller kan være helseskadelig. Berøring eller innånding av slike typer støv kan fremkalle allergiske reaksjoner og/eller luftveissykdommer hos brukeren og andre personer som oppholder seg i nærheten. Bestemte typer støv som eikestøv eller bøkestøv regnes som kreftfremkallende, særlig i forbindelse med stoffer for trebehandling (kromat, trepleiemidler). Asbestholdige materialer skal kun håndteres av kvalifisert personell. **Bruk støvavsug der det er mulig. For å oppnå best mulig støvavsug må du bruke en egnet mobil støvsuger. Bruk eventuelt åndedrettsvern tilpasset den aktuelle typen støv. Sørg for at arbeidsplassen er godt luftet. Ta hensyn til gjeldende lokale forskrifter for materialene som skal bearbeides.****
- ▶ **Før arbeidet påbegynnes, må du bringe på det rene hvilken fareklasse støvmaterialet som oppstår, tilhører. Bruk en anleggstøvsuger med offisiell beskyttelsesklassifisering sammen med maskinen. Maskinen må oppfylle lokale støvbeskyttelseskrav.**
- ▶ **Følg nasjonale forskrifter for arbeidssikkerhet.**



### Elektrisk sikkerhet

- ▶ **Kontroller arbeidsområdet for skjulte elektriske ledninger, gass- og vannrør før du starter arbeidet, f.eks. ved hjelp av en metalldektor.** Eksterne metalldele på maskinen kan bli strømførende ved at f. eks. en strømførende kabel utilsiktet blir skadet. Dette innebærer en alvorlig fare for elektrisk støt.

### Aktsom håndtering og bruk av batterier

- ▶ **Ta hensyn til spesielle retningslinjer for transport, lagring og bruk av Li-Ion-batterier.**
- ▶ **Hold batteriene unna høye temperaturer og åpen ild.** Ellers kan det være fare for eksplosjon.
- ▶ **Batteriene må ikke tas fra hverandre, klemmes, varmes opp over 80 °C (176 °F) eller brennes.** Gjør du dette, er det fare for brann, eksplosjoner og etseskader.
- ▶ **Skadde batterier (f.eks. batterier med sprekker, ødelagte deler eller kontakter som er bøyd, skjøvet tilbake eller trukket ut) skal ikke lades opp eller brukes videre.**
- ▶ **Batteriene skal ikke brukes som energikilder for andre, ikke spesifiserte, forbrukere.**
- ▶ Hvis batteriet er for varmt til å ta i, kan det være defekt. **Plasser batteriet på et ikke-brennbart sted med tilstrekkelig avstand til brennbare materialer, der batteriet kan observeres. La det avkjøles. Kontakt Hilti service når batteriet er avkjølt.**

## 2.4 Ekstra sikkerhetsanvisninger for sirkelsager

- ▶ Håndsirkelsagen må bare føres mot arbeidsstykket når den er slått på.
  - ▶ Saglinjen må være fri for hindringer oppe og nede. Ikke sag i skruer, spiker eller lignende.
- ▶ Arbeid aldri med en sirkelsag over hodehøyde.
- ▶ Brems aldri sagen med å trykke mot siden på den.
- ▶ Unngå overoppheting av sagtannspissene.
- ▶ Bruk alltid sagbladet som hører til underlaget som skal sages.
- ▶ Bruk bare sagblad som er anbefalt av Hilti, som oppfyller normen EN 847-1.

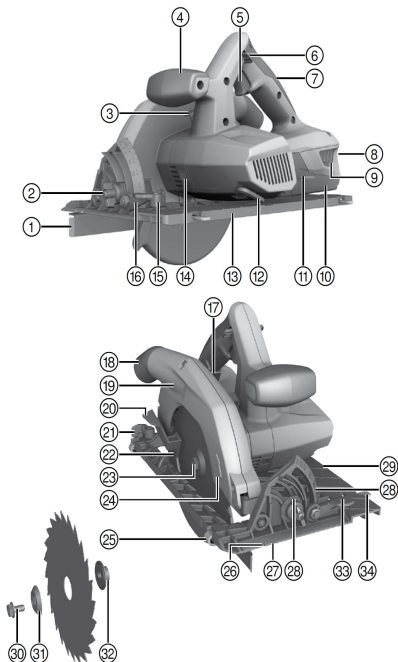
## 2.5 Aktsom håndtering og bruk av batterier

- ▶ Ta hensyn til spesielle retningslinjer for transport, lagring og bruk av Li-Ion-batterier.
- ▶ Hold batteriene unna høye temperaturer, direkte solskinn og åpen ild.
- ▶ Batteriene må ikke tas fra hverandre, klemmes, varmes opp over 80 °C (176 °F) eller brennes.
- ▶ Ikke bruk eller lad opp batterier som har fått et støt, har falt ned over en meter eller er skadet på annen måte. Kontakt i slike tilfeller alltid **Hilti service**.
- ▶ Hvis batteriet er for varmt til å ta i, kan det være defekt. Plasser batteriet på et synlig, ikke brennbart sted med tilstrekkelig avstand til brennbare materialer. La batteriet avkjøles. Hvis batteriet fremdeles er for varmt til å ta i etter en time, er det defekt. Kontakt **Hilti service**.



### 3 Beskrivelse

#### 3.1 Produktoversikt 1



- ① Parallellanlegg, enarmet
- ② Forhåndsinnstilling av snittvinkel (22,5°, 45°, 50°)
- ③ Spindellåsknapp
- ④ Støttehåndtak
- ⑤ Av/på-bryter
- ⑥ Innkoblingssperre
- ⑦ Håndtak
- ⑧ Lade- og feilindikator (Li-Ion-batteri)
- ⑨ Låseknapper med tilleggsfunksjon for aktivering av ladeindikator
- ⑩ Batteri
- ⑪ Klemarm for innstilling av kuttedybde
- ⑫ Unbrakonøkkel
- ⑬ Grunnplate liten
- ⑭ LED-belysning
- ⑮ Klemarm til parallellanlegg foran
- ⑯ Klemarm for innstilling av snittvinkel
- ⑰ Skala for kuttedybde
- ⑱ Monteringsstuss (sponkanal)
- ⑲ Beskyttelsesdeksel
- ⑳ Betjeningsarm for pendelverndeksel
- ㉑ Klemarm til parallellanlegg bak (bare for stor grunnplate)
- ㉒ Pendelverndeksel
- ㉓ Drivspindel
- ㉔ Rotasjonsretningspil
- ㉕ Parallellanlegg, toarmet
- ㉖ Markering av kutt 0°
- ㉗ Markering av kutt 45°
- ㉘ Skala for snittvinkel
- ㉙ Grunnplate, stor
- ㉚ Spennskrue
- ㉛ Spennflens
- ㉜ Festeflens
- ㉝ Spormarkering 0° grunnplate
- ㉞ Spormarkering 1- 50° grunnplate

#### 3.2 Ledeskinneadapter 2

- ③⑤ Holdespor bak
- ③⑥ Holdespor foran
- ③⑦ Spormarkering 0°
- ③⑧ Spormarkering 1- 50°

#### 3.3 Forskriftsmessig bruk

Det beskrevne produktet er en batteridrevet sirkelsag. Den er beregnet for saging i tre eller trelignende materialer, plaststoffer, gipsplater, gipsfiberplater og kompositter.

Den håndholdte sirkelsagen har en avtakbar monteringsstuss for støvavsug/støvsuger (ekstrautstyr), og stussen passer til vanlige sugeslanger. Det kan være nødvendig med en adapter for å forbinde støvsuger-slangen med sagen.

- ▶ Sagblad som ikke er i samsvar med de angitte karakteristikkene (f.eks. diameter, turtall, tykkelse), kappe- og slipeskiver samt sagblad av høylegert hurtigstål (HSS-stål), skal ikke brukes. Sagen skal ikke brukes til saging av metall.





- ▶ Ikke bruk produktet til kapping av grener og trestammer.
- ▶ Til dette produktet må det bare brukes **Hilti** Li-Ion-batterier i serien B 22.
- ▶ Bruk bare **Hilti**-laderne i C4/36-serien til disse batteriene.

### 3.4 Indikator på Li-Ion-batteriet

Ladenivået for Li-Ion-batteriet og feil på maskinen varsles via indikatoren på Li-Ion-batteriet. Ladenivået for Li-Ion-batteriet vises når du trykker på en av låseknappene for batteriet.

Tilstand	Betydning
4 LED-er lyser.	Ladenivå: 75 % til 100 %
3 LED-er lyser.	Ladenivå: 50 % til 75 %
2 LED-er lyser.	Ladenivå: 25 % til 50 %
1 LED lyser.	Ladenivå: 10 % til 25 %
1 LED blinker, maskinen er klar til bruk.	Ladenivå: < 10 %
1 LED blinker, maskinen er ikke klar til bruk.	Batteriet er overopphetet eller helt utladet.
4 LED-er blinker, maskinen er ikke klar til bruk.	Maskinen er overbelastet eller overopphetet.

**i** Når du trykker på kontrollbryteren og inntil 5 sekunder etter at du har sluppet kontrollbryteren, er det ikke mulig å sjekke ladenivået.

Ved blinkende LED-er på batteriets indikator må du følge anvisningene i kapitlet Feilsøking.

### 3.5 Parallellanlegg

Det enarmede parallellanlegget muliggjør eksakte kutt langs kanten på emnet og kutting av lister med samme mål.

Parallellanlegget kan monteres på begge sider av grunnplaten.

### 3.6 Dette følger med

sirkelsag, sagblad, unbrakonøkkel, parallellanlegg, monteringsstuss for støvsuger, bruksanvisning (tilleggsutstyr: ledeskinnadapter)

**i** Reservedeler, forbruksmaterialer og tilbehør til produktet, som er godkjent av oss, finner du hos **Hilti Store** eller under: [www.hilti.group](http://www.hilti.group).

### 3.7 Tilbehør

Spennflens, festeflens, spennskrue.

## 4 Tekniske data

### 4.1 Sirkelsag

	SC 70W-A22
Merkespenning	21,6 V
Vekt i henhold til EPTA-prosedyre 01	4,8 kg
Spesifisert sagbladdiameter	190 mm
Stambladtykkelse	0,7 mm ... 1,5 mm
Skjærebredde	1,5 mm ... 2 mm
Festehull for sagblad	30 mm
Nominelt omdreiningstall på tomgang	3 500 o/min
Maksimal kuttedybde 0°	70 mm
Maksimal kuttedybde 45°	51 mm
Maksimal kuttedybde 50°	45 mm
Gjæringssnittvinkel	0° ... 50°



	SC 70W-A22
Driftstemperatur	-10 °C ... 50 °C
Lagringstemperatur (uten batteri)	-30 °C ... 70 °C

## 4.2 Batteri

Batteriets driftsspenning	21,6 V
Omgivelsestemperatur under drift	-17 °C ... 60 °C
Lagringstemperatur	-20 °C ... 40 °C
Batteritemperatur ved ladestart	-10 °C ... 45 °C

## 4.3 Støyinformasjon og vibrasjonsverdier målt i henhold til EN 62841

Lydtrykk- og vibrasjonsverdiene som er angitt i denne bruksanvisningen, er målt i samsvar med en normert målemetode og kan brukes til sammenligning av elektroverktøy. De egner seg også til en foreløpig vurdering av eksponeringene. De angitte dataene representerer de viktigste bruksområdene for elektroverktøyet. Men hvis elektroverktøyet brukes til andre formål, med avvikende innsatsverktøy eller med utilstrekkelig vedlikehold, kan dataene avvike. Dette kan øke eksponeringene betraktelig gjennom hele arbeidsperioden. For å få en nøyaktig vurdering av eksponeringene må man også ta hensyn til tidsrommene da maskinen er slått av eller er i gang, men ikke i drift. Dette kan redusere eksponeringene betraktelig gjennom hele arbeidsperioden. Fastsett ekstra sikkerhetstiltak for å beskytte operatøren mot effekten av støy og/eller vibrasjoner, for eksempel: Vedlikehold av elektroverktøy og innsatsverktøy, holde hendene varme, organisering av arbeidsprosesser.

### Støyutslippsverdier målt i henhold til EN 62841

	SC 70W-A22
Lydeffektnivå ( $L_{WA}$ )	103 dB(A)
Usikkerhet lydeffektnivå ( $K_{WA}$ )	3 dB(A)
Lydtrykknivå ( $L_{pA}$ )	92 dB(A)
Usikkerhet lydtrykknivå ( $K_{pA}$ )	3 dB(A)

### Sammenlagte vibrasjonsverdier (vektorsum for tre retninger), målt i henhold til EN 62841

	SC 70W-A22
Avgitt vibrasjonsverdi ved saging i tre ( $A_{h, w}$ )	0,93 m/s <sup>2</sup>
Usikkerhet (K)	1,5 m/s <sup>2</sup>

## 5 Betjening

### 5.1 Klargjøring for arbeid

#### 5.1.1 Lade batteriet

1. Les bruksanvisningen for laderen før lading.
2. Kontaktene på batteriet og laderen må være rene og tørre.
3. Lad opp batteriet i en godkjent lader. 82

#### 5.1.2 Sette i batteri

#### ADVARSEL

#### Fare for personskader på grunn av kortslutning eller ved at batteriet faller ned!

- Forsikre deg om at det ikke er fremmedlegemer ved kontaktene på batteriet og kontaktene på produktet før du setter batteriet inn i maskinen.
- Kontroller at batteriet alltid går riktig i inngrep.

1. Lad batteriet helt opp før første gangs bruk.
2. Skyv batteriet inn i produktet til det klikker hørbart på plass.
3. Kontroller at batteriet sitter godt fast.



### 5.1.3 Ta ut batteriet

1. Trykk på låseknappene til batteriet.
2. Trekk batteriet ut av maskinen.

### 5.1.4 Demontere sagblad

#### ADVARSEL

**Fare for forbrennings- og kuttfare på sagblad, spennskrue og spennflens** Resultatet kan bli forbrenninger og kuttskader.

- Bruk arbeidshansker ved bytte av verktøy.

1. Ta ut batteriet.
2. Sett unbrakonøkkelen på spennskruen til sagbladet.
3. Trykk på spindellåseknappen og hold den inne.
4. Drei spennskruen for sagbladet med en unbrakonøkkel til spindellåsknappen klikker på plass.
5. Løsne spennskruen med unbrakonøkkelen ved å dreie i rotasjonspilens retning.
6. Ta av spennskruen og den ytre spennflensen.
7. Åpne pendelverndekelet ved å svinge det vekk, og fjern sagbladet.



Ved behov kan holdeflensen tas av for rengjøring.

### 5.1.5 Montere sagblad

#### FORSIKTIG

**Fare for materiell skade!** Uegnede eller feilmonterte sagblad kan skade sagen.

- Bruk kun sagblad som er beregnet for denne sagen. Legg merke til rotasjonsretningspilen på sagbladet.
- Bruk bare sagblad med et tillatt turtall som er minst like høyt som det høyeste angitte turtallet på produktet.



**Kontroller at sagbladet som skal festes på sagen, samsvarer med tekniske krav og at det er skarpt.** Et skarpt sagblad er en forutsetning for at sagsnittet blir riktig.

1. Ta ut batteriet.
2. Rengjør festflensen og spennflensen.
3. Sett festflensen på drivspindelen i riktig retning.
4. Åpne pendelverndekelet.
5. Sett inn det nye sagbladet.
6. Sett på den ytre spennflensen i riktig retning.
7. Sett inn spennskruen.
8. Sett unbrakonøkkelen på spennskruen til sagbladet.
9. Trykk på spindellåsknappen.
10. Fest spennflensen med spennskruen ved å dreie unbrakonøkkelen mot rotasjonspilens retning.
  - Spindellåsknappen går i lås.
11. Kontroller at sagbladet sitter fast og er riktig montert før maskinen tas i bruk.

### 5.1.6 Stille inn kuttedybde

1. Ta ut batteriet.
2. Løsne klemarmen på kuttedybdeinnstillingen.
3. Løft produktet opp med en bevegelse som om du skulle sage, og still inn kuttedybden ved å trekke til klemarmen.



Den innstilte kuttedybden bør alltid være ca. 5 til 10 mm større enn tykkelsen på materialet som skal kuttes.

På baksiden av beskyttelseshetten finnes det en skala og en viser som kan brukes til å lese av den innstilte dybden.



### 5.1.7 Stille inn snittvinkel

1. Ta ut batteriet.
2. Løsne klemarmen på snittvinkelinnstillingen.
3. Sving produktet til ønsket posisjon.



Forhåndsinnstilling av kuttevinkel gir mulighet for enkel innstilling av maksimalvinkelen 22,5°/45°/50°

4. Trekk til klemarmen på snittvinkelinnstillingen.

### 5.1.8 Sage etter strek



På den fremre grunnplaten på sirkelsagen er det en snittmarkør (0° og 45°) både for rette og skrå snitt. Den gjør det mulig å utføre nøyaktige kutt ut fra den valgte snittvinkelen. Kanten på snittmarkøren tilsvarer innsiden på sagbladet. Det finnes en snittmarkør ved fremre utsparring for sagbladet.



Sikre emnet slik at det ikke forskyver seg.  
Legg emnet slik at sagbladet roterer fritt under emnet.  
Kontroller at av/på-bryteren på produktet er slått av.  
Plasser produktet med sokkelen på emnet slik at sagbladet ikke er i kontakt med emnet.

1. Sett i batteriet.
2. Slå på produktet ved å holde innkoblingssperrinstrykt og slå på av/på-bryteren.
3. Før produktet langs streken gjennom emnet i egnet arbeidstempo.

### 5.1.9 Montere / stille inn parallellanlegg

1. Ta ut batteriet.
2. Skru klemskruen så langt inn i grunnplaten at det blir nok plass til å skyve parallellanlegget helt inn.
3. Skyv føringen for parallellanlegget under klemskruen.
4. Still inn ønsket skjærebredde.
5. Trekk til klemskruen.



Parallellanlegget (enarmet/toarmet) kan monteres på begge sider av grunnplaten. Det toarmete parallellanlegget kan bare brukes sammen med den store grunnplaten  
Parallellanlegget muliggjør eksakte kutt langs kanten på emnet og kutting av lister med samme mål.

### 5.1.10 Montere ledeskinneadapteren



Sagen kan utstyres med en ledeskinneadapter som kan kjøpes som tilbehør.  
På sager med liten grunnplate må du bruke en ledeskinneadapter som passer til ledeskinnen.

1. Ta ut batteriet.
2. Fjern parallellanlegget hvis dette er montert.
3. Før grunnplaten inn i holdesporene på sidene av ledeskinneadapteren.
4. Sett grunnplaten helt inn i ledeskinneadapteren.
5. Lås fast ledeskinneadapteren ved å trykke de to skyverne helt inn til anslag.

## 5.2 Arbeid

### 5.2.1 Slå på

- ▶ Slå på produktet ved å holde innkoblingssperrinstrykt og slå på av/på-bryteren.

### 5.2.2 Slå av

- ▶ Hold maskinen fast når du slipper av/på-bryteren.

### 5.2.3 Lengdekutt ved 0°

1. Plasser sirkelsagen med sporet merket "0°" på kanten av ledeskinnen.
2. Slå på produktet ved å holde innkoblingssperrinstrykt og slå på av/på-bryteren.
3. Før produktet langs skinnen gjennom emnet i egnet arbeidstempo.



## 5.2.4 Lengdekutt ved vinkler inntil 50°

1. Still inn vinkelen.

### ADVARSEL

**Kollisjonsfare ved skråsnitt!** Kollisjoner mellom sagbladet og ledeskinen.

- ▶ Plasser sagen med riktig spor på kanten av ledeskinen. Ellers kan det skje kollisjoner mellom sagbladet og ledeskinen.
- 
2. Plasser sagen med sporet merket "1-50°" på kanten av ledeskinen.
  3. Slå på produktet ved å holde innkoblingssperrin inntrykt og slå på av/på-bryteren.
  4. Før produktet langs skinnen gjennom emnet i egnet arbeidstempe.

## 5.2.5 Legge an flate vinkelkutt

1. Legg ledeskinen med nullpunktet på kanten av emnet og drei skinnen til den ønskede vinkelen på vinkelskalaen ligger ovenfor nullpunktet. Den viste snittvinkelen angir vinkelen i forhold til et rett vinkelkutt.
2. Fest ledeskinen med de to skrutingene.
3. Plasser sirkelsagen med sporet merket "0°" på kanten av ledeskinen.
4. Slå på produktet ved å holde innkoblingssperrin inntrykt og slå på av/på-bryteren.
5. Før produktet langs skinnen gjennom emnet i egnet arbeidstempe.

## 5.2.6 Sage uten sponavsug

1. Sørg for at sponene kan kastes uhindret ut.
2. Ved behov kan monteringsstussen fjernes fra beskyttelseskappen ved å åpne unbrakoskruen med unbrakonøkkelen som finnes på produktet.

## 6 Service og vedlikehold

---

### ADVARSEL

**Fare for personskader på grunn av isatt batteri !**

- ▶ Ta alltid ut batteriet før stell og vedlikeholdsarbeid!
- 

### Pleie av produktet

- Fjern forsiktig gjenstridig smuss.
- Rengjør ventilasjonsåpningene, der slike finnes, forsiktig med en tørr og myk børste.
- Rengjør huset bare med en lett fuktet klut. Ikke bruk silikonholdige pleiemidler, ettersom dette kan angripe plastdelene.
- Bruk en ren og tørr klut for å rengjøre kontaktene på produktet.

### Pleie av li-ion-batterier

- Bruk aldri et batteri med tilstoppede ventilasjonsåpninger. Rengjør ventilasjonsåpningene forsiktig med en tørr og myk børste.
- Unngå at batteriet unødig utsettes for støv eller smuss. Ikke utsett batteriet for høy fuktighet (f.eks. ved å dyppe det i vann eller la det stå ute i regnet).  
Hvis et batteri blir gjennomvått, må det behandles som et skadet batteri. Isoler det i en ikke-brennbar beholder, og kontakt **Hilti service**.
- Hold batteriet fritt for fremmed olje og fett. Ikke la unødige støv eller smuss samle seg på batteriet. Rengjør batteriet med en tørr og myk børste eller en ren og tørr klut. Ikke bruk silikonholdige pleiemidler, ettersom dette kan angripe plastdelene.  
Ikke berør kontaktene på batteriet, og ikke fjern fett som er smurt på kontaktene fra fabrikkens.
- Rengjør huset bare med en lett fuktet klut. Ikke bruk silikonholdige pleiemidler, ettersom dette kan angripe plastdelene.

### Vedlikehold

### ADVARSEL

**Fare for elektrisk støt!** Ufagmessige reparasjoner på elektriske komponenter kan føre til alvorlig personskade og forbrenninger.

- ▶ Elektriske deler på maskinen må kun repareres av fagfolk.
- 
- Kontroller alle synlige deler regelmessig mht. skade og alle betjeningslementer mht. feilfri funksjon.



- Ved skader og/eller funksjonsfeil må produktet ikke brukes. Få produktet omgående reparert av **Hilti** service.
- Monter alle beskyttelsesinnretninger etter pleie- og vedlikeholdsarbeid, og kontroller at de fungerer feilfritt.



Av hensyn til sikkerheten må du bare bruke originale reservedeler, forbruksmaterieell og tilbehør. Reservedeler, forbruksmaterialer og tilbehør som er godkjent av **Hilti**, finner du hos **Hilti Store** eller på: [www.hilti.group](http://www.hilti.group)

### 6.1 Rengjøring av vernet

1. Fjern sagbladet ved rengjøring av vernet.
2. Rengjør vernet forsiktig med en tørr børste.
3. Fjern avleiringer og spon på innsiden av vernet med egnet verktøy.
4. Monter sagbladet.

### 6.2 Arbeidstrinn ved tilstoppet sponkanal

1. Ta ut batteriet.
2. Rengjør sponkanalen.



Eventuelt må sagbladet demonteres. 85

3. Kontroller om bevegelige maskindeler fungerer feilfritt og ikke klemmes fast, og om deler er brukket eller skadet, slik at dette innvirker på produktets funksjon.

### 6.3 Kontroll etter stell og vedlikeholdsarbeid



Etter stell og vedlikehold må man kontrollere at alle beskyttelses- og sikkerhetsinnretningene er montert og fungerer som de skal.

- ▶ For å kontrollere pendelverndekeaset åpner du det helt ved å trykke på betjeningsspaken.
  - ▶ Når du har sluppet betjeningsspaken, skal pendelverndekeaset raskt lukke seg helt.

## 7 Transport og lagring

### Transport av batteridrevne verktøy og batterier



**FORSIKTIG**

#### Utsikket start under transport !

- ▶ Transporter alltid produktene dine uten batterier!
- ▶ Ta ut batteri(er).
- ▶ Batterier må aldri transporteres løst. Under transport må batteriene beskyttes mot kraftige støt og vibrasjoner og isoleres fra ledende materialer og andre batterier, slik at de ikke kan komme i berøring med andre batteripoler og dermed forårsake kortslutning. **Følg lokale transportforskrifter for batterier.**
- ▶ Batterier må ikke sendes i posten. Kontakt et transportfirma hvis du vil sende uskadede batterier.
- ▶ Kontroller produkt og batterier med henblikk på skader før hver bruk samt før og etter lengre transport.

### Lagring av batteridrevne verktøy og batterier



**ADVARSEL**

#### Utsikket skade på grunn av defekte batterier eller lekkasje fra batterier !

- ▶ Oppbevar alltid produktene dine uten batterier!
- ▶ Oppbevar produktet og batterier kjølig og tørt. Ta hensyn til temperaturgrensene som er angitt under tekniske data.
- ▶ Ikke oppbevar batterier på laderen. Ta alltid batteriet ut av laderen etter lading.
- ▶ Batterier må aldri oppbevares i solen, på varmekilder eller bak glass.
- ▶ Oppbevar produktet og batterier utenfor barns og uvedkommendes rekkevidde.
- ▶ Kontroller produkt og batterier med henblikk på skader før hver bruk samt før og etter lengre tids lagring.



## 8 Feilsøking

- ▶ Ved feil som ikke står i denne tabellen eller som du selv ikke kan rette opp, må du kontakte **Hilti** service.

### 8.1 Sirkelsagen er ikke driftsklar

Feil	Mulig årsak	Løsning
LED-ene vises ikke.	Batteriet er ikke satt helt inn.	▶ Sett i batteriet.
	Utladet batteri.	▶ Lad batteriet.
	Batteriet er for varmt eller for kaldt.	▶ La batteriet nå riktig omgivelses-temperatur.
1 LED blinker.	Utladet batteri.	▶ Lad batteriet.
	Batteriet er for varmt eller for kaldt.	▶ La batteriet nå riktig omgivelses-temperatur.
4 LED-er blinker.	Sirkelsagen overbelastet en kort stund.	▶ Slipp av/på-bryteren og trykk den inn på nytt.
	Overopphetingsvern.	▶ La sirkelsagen avkjøles, og rengjør ventilasjonsåpningene.

### 8.2 Sirkelsagen er driftsklar

Feil	Mulig årsak	Løsning
Av/på-bryteren kan ikke trykkes inn eller er blokkert.	Ingen feil (sikkerhetsfunksjon).	▶ Trykk på innkoblingssperren.
Turtallet reduseres kraftig og plutselig.	Utladet batteri.	▶ Lad batteriet.
	For stor skyvekraft.	▶ Reduser skyvekraften og slå på produktet igjen.
Spon transporteres ikke til sponbeholderen og faller på sokkelen.	Sponbeholderen er full.	▶ Tøm sponbeholderen.
	Sponkanalen er tilstoppet.	▶ Rengjør sponkanalen. 88
Sagbladet blir stående stille.	For stor skyvekraft.	▶ Reduser skyvekraften og slå på produktet igjen.
Batteriet blir tomt raskere enn vanlig.	Batteriets tilstand er ikke optimal.	▶ Skift ut batteriet.
Batteriet festes ikke med et hørbart dobbeltklikk.	Festetappene på batteriet er skitne.	▶ Rengjør festetappene og sett batteriet på plass. Kontakt <b>Hilti</b> service hvis problemet fortsetter.
Sterk varmeutvikling i sirkelsagen eller batteriet.	Elektrisk defekt	▶ Slå sirkelsagen av umiddelbart. Ta ut batteriet og undersøk det. La batteriet avkjøles. Kontakt <b>Hilti</b> service.
	Produktet er overbelastet (bruks-grensen er overskredet).	▶ Velg en maskin som er tilpasset bruksområdet.
Sagen vibrerer kraftig	Sagbladet er feilmontert	▶ Monter sagbladet riktig. 85


## 9 Kassering

### ADVARSEL

**Fare for personskade ved ikke-forskriftsmessig kassering!** Gasser eller væsker som lekker ut, utgjør en helsefare.

- ▶ Ikke send skadde batterier i posten eller på annen måte!
- ▶ Dekk til kontaktene med et ikke-ledende materiale for å unngå kortslutning.
- ▶ Kasser batterier slik at de er utilgjengelige for barn.
- ▶ Lever inn batteriet i nærmeste **Hilti Store**, eller kontakt et lokalt renovasjonsfirma.



 **Hilti** produkter er i stor grad laget av gjenvinnbare materialer. Riktig materialsortering er en forutsetning for gjenvinning. I mange land tar **Hilti** imot ditt gamle apparat for gjenvinning. Spør **Hilti** kundeservice eller forhandleren.



- ▶ Kast aldri elektroverktøy, elektronisk utstyr eller batterier i husholdningsavfallet!

## 10 RoHS (direktiv for begrensning av bruk av farlige stoffer)

Under følgende lenke finner du tabellen over farlige stoffer: [qr.hilti.com/r2937785](http://qr.hilti.com/r2937785).

Du finner en lenke til RoHS-tabellen helt til slutt i denne dokumentasjonen som QR-kode.

## 11 Produsentgaranti

- ▶ Når det gjelder spørsmål om garantibetingelser, ber vi deg kontakte din lokale **Hilti**-partner.

# Alkuperäiset ohjeet

## 1 Tämän käyttöohjeen tiedot

### 1.1 Tästä käyttöohjeesta

- Lue ehdottomasti tämä käyttöohje ennen tuotteen käyttämistä. Se on turvallisen työn teon ja tuotteen ongelmattoman käsittelyn perusedellytys.
- Noudata tässä käyttöohjeessa annettuja ja tuotteessa olevia turvallisuus- ja varoitusohjeita.
- Säilytä käyttöohje aina tuotteen yhteydessä, ja anna tuote toiselle henkilölle aina käyttöohjeen kanssa.

### 1.2 Merkkien selitykset

#### 1.2.1 Varoitusohjeet

Varoitusohjeet varoittavat tuotteen käyttöön liittyvistä vaaroista. Seuraavia varoitusmerkkejä käytetään:



**VAKAVA VAARA**

#### **VAKAVA VAARA !**

- ▶ Varoittaa uhkaavasta vaaratilanteesta, josta voi seurauksena olla vakava loukkaantuminen tai jopa kuolema.



**VAARA**

#### **VAARA !**

- ▶ Varoittaa mahdollisesta vaarasta, josta voi seurauksena olla vakava loukkaantuminen tai kuolema.



**VAROITUS**

#### **HUOMIO !**

- ▶ Varoittaa mahdollisesta vaaratilanteesta, josta voi seurata loukkaantuminen tai aineellinen vahinko.

#### 1.2.2 Symbolit käyttöohjeessa

Tässä käyttöohjeessa käytetään seuraavia symboleita:



Noudata käyttöohjetta



Toimintaohjeita ja muuta hyödyllistä tietoa



Kierrätyskelpoisten materiaalien käsittely



Älä hävitä sähkölaitteita ja akkuja tavallisen sekajätteen mukana





	<b>Hilti</b> Litiumioniakku
	<b>Hilti</b> Laturi

### 1.2.3 Symbolit kuvissa

Kuvissa käytetään seuraavia symboleita:

	Nämä numerot viittaavat vastaavaan kuvaan tämän käyttöohjeen alussa.
3	Numerointi kuvissa viittaa tärkeisiin työvaiheisiin tai työvaiheiden kannalta tärkeisiin rakenneosiin. Nämä vastaavasti numeroidut työvaiheet tai rakenneosat korostetaan tekstissä, esimerkiksi <b>(3)</b> .
	Kohtanumeroita käytetään kuvassa <b>Yleiskuva</b> , ja ne viittaavat kuvatekstien numerointiin kappaleessa <b>Tuoteyhteenveto</b> .
	Tämän merkin tarkoitus on kiinnittää erityinen huomiosi tuotteen käyttöön ja käsittelyyn.

## 1.3 Tuotekohtaiset symbolit

### 1.3.1 Symbolit

Tuotteessa voidaan käyttää seuraavia symboleita:

$n_0$	Nimellisjoutokäyntikierrosluku
	Tasavirta
RPM	Kierrosta minuutissa
$\varnothing$	Halkaisija
	Sahanterä
	Tuote tukee langatonta tiedonsiirtoa, joka on yhteensopiva iOS- ja Android-alustojen kanssa.
Li-Ion	Litiumioniakku
	Käytettävien <b>Hilti</b> -litiumioniakkujen tyyppisarja. Ota kappaleessa <b>Tarkoituksenmukainen käyttö</b> annetut tiedot huomioon.
	Älä koskaan käytä akkua lyöntityökäluna.
	Älä päästä akkua putoamaan. Älä käytä akkua, johon on kohdistunut isku tai joka on muutoin vaurioitunut.

## 1.4 Tuotetiedot

**HILTI** -tuotteet on tarkoitettu ammattikäyttöön, ja niitä saa käyttää, huoltaa tai korjata vain valtuutettu, koulutettu henkilö. Käyttäjän pitää olla hyvin perillä käyttöön liittyvistä vaaroista. Tuote ja sen varusteet saattavat aiheuttaa vaaratilanteita, jos kokemattomat henkilöt käyttävät tuotetta ohjeiden vastaisesti tai muutoin asiattomasti.

Tyypimerkinnän ja sarjanumeron löydät tyyppikilvestä.

- Kirjoita sarjanumero oheiseen taulukkoon. Tuotteen tiedot tarvitaan, jos esität kysymyksiä myynti- tai huoltoedustajallemme.

#### Tuotetiedot

Pyörösaha	SC 70W-A22
Sukupolvi	01
Sarjanumero	



## 1.5 Vaatimustenmukaisuusvakuutus

Vakuutamme, että tässä kuvattu tuote täyttää voimassa olevien direktiivien ja standardien vaatimukset. Kuva vaatimustenmukaisuusvakuutuksesta on tämän dokumentaation lopussa.

Tekninen dokumentaatio löytyy tästä:

Hilti Entwicklungsgesellschaft mbH | Zulassung Geräte | Hiltistraße 6 | 86916 Kaufering, DE

## 2 Turvallisuus

### 2.1 Sähkötyökaluja koskevat yleiset turvallisuusohjeet

**⚠ VAKAVA VAARA** Lue kaikki turvallisuus- ja käyttöohjeet, selostukset ja tekniset tiedot, jotka liittyvät tähän sähkötyökaluun. Seuraavien ohjeiden noudattamatta jättäminen saattaa johtaa sähköiskuun, tulipaloon ja/tai vakavaan loukkaantumiseen.

**Sääilytä kaikki turvallisuus- ja käyttöohjeet huolellisesti vastaisen varalle.**

Turvallisuusohjeissa käytetty käsite ”sähkötyökalu” tarkoittaa verkkokäyttöisiä sähkötyökaluja (joissa verkkojohto) ja akkukäyttöisiä sähkötyökaluja (joissa ei verkkojohtoa).

#### Työpaikan turvallisuus

- ▶ **Pidä työskentelyalue siistinä ja hyvin valaistuna.** Työpaikan epäjärjestys ja valaisemattomat työalueet voivat johtaa tapaturmiin.
- ▶ **Älä käytä sähkötyökalua räjähdyssaltiliissa ympäristössä, jossa on syttyvää nestettä, kaasua tai pölyä.** Sähkötyökalut synnyttävät kipinöitä, jotka saattavat sytyttää pölyn tai höyryä.
- ▶ **Pidä lapset ja sivulliset loitolla sähkötyökalua käyttäessäsi.** Voit menettää koneen hallinnan huomiosi suuntautuessa muualle.

#### Sähköturvallisuus

- ▶ **Sähkötyökalun pistokkeen pitää sopia pistorasiaan.** Pistoketta ei saa muuttaa millään tavalla. **Älä käytä pistorasia-adaptoreita suojamaadotettujen sähkötyökalujen yhteydessä.** Alkuperäisessä kunnossa olevat pistokkeet ja sopivat pistorasiat vähentävät sähköiskun vaaraa.
- ▶ **Vältä koskettamasta sähköä johtaviin pintoihin kuten putkiin, pattereihin, liesiin ja jääkaappeihin.** Sähköiskun vaara kasvaa, jos kehosi maadottuu.
- ▶ **Älä aseta sähkötyökalua alttiiksi sateelle tai kosteudelle.** Veden tunkeutuminen sähkötyökalun sisään lisää sähköiskun vaaraa.
- ▶ **Älä kanna tai ripusta sähkötyökalua verkkojohdostaan äläkä vedä pistoketta irti pistorasiasta johdosta vetämällä.** Pidä johto loitolla kuumuudesta, öljystä, terävistä reunoista ja liikkuvista osista. Vahingoittuneet tai toisiinsa kietoutuneet johdot lisäävät sähköiskun vaaraa.
- ▶ **Kun käytät sähkötyökalua ulkona, käytä ainoastaan ulkokäyttöön soveltuvia jatkojohtoja.** Ulkokäyttöön soveltuvan jatkojohdon käyttö pienentää sähköiskun vaaraa.
- ▶ **Jos sähkötyökalua on välttämätöntä käyttää kosteassa ympäristössä, käytä vikavirtasuojakytintä.** Vikavirtasuojakytimen käyttö pienentää sähköiskun vaaraa.

#### Henkilöturvallisuus

- ▶ **Ole valpas, kiinnitä huomiota työskentelyysi ja noudata tervettä järkeä sähkötyökalua käyttäessäsi.** Älä käytä sähkötyökalua, jos olet väsynyt tai huumeiden, alkoholin tai lääkkeiden vaikutuksen alaisena. Sähkötyökalua käytettäessä hetkellinenkin varomattomuus saattaa aiheuttaa vakavia vammoja.
- ▶ **Käytä henkilökohtaisia suojavarusteita ja aina suojalaseja.** Henkilökohtaiset suojavarusteet, kuten hengityssuojain, luistamattomat turvajalkineet, kypärä ja kuulosuojaimet, pienentävät oikein käytettyinä loukkaantumisriskiä sähkötyökalun käyttötilanteesta riippuen.
- ▶ **Varo tahatonta käynnistämistä.** Varmista, että sähkötyökalu on kytketty pois päältä, ennen kuin liität sen verkkovirtaan ja/tai liität siihen akun, otat sen käteesi tai kannat sitä. Jos kannat sähkötyökalua sormi käyttökytkimellä tai liität pistokkeen pistorasiaan käyttökytkimen ollessa käyntiasennossa, altistat itsesi onnettomuuksille.
- ▶ **Poista kaikki säätötyökalut ja ruuvitalat, ennen kuin käynnistät sähkötyökalun.** Työkalu tai avain, joka sijaitsee koneen pyörivässä osassa, saattaa johtaa loukkaantumiseen.
- ▶ **Vältä vaikeita työskentelyasentoja.** Varmista aina tukeva seisoma-asento ja tasapaino. Siten voit paremmin hallita sähkötyökalua odottamattomissa tilanteissa.
- ▶ **Käytä työohsi soveltuvia vaatteita.** Älä käytä löysiä työvaatteita tai koruja. Pidä hiukset, vaatteet ja käsineet loitolla liikkuvista osista. Väljät vaatteet, korut ja pitkät hiukset voivat takertua liikkuviin osiin.
- ▶ **Jos pölynpoisto- ja keräilylaitteita voidaan asentaa, sinun on tarkastettava, että ne on liitetty oikein ja että niitä käytetään oikealla tavalla.** Pölynpoistovarustuksen käyttö vähentää pölyn aiheuttamia vaaroja.



- ▶ **Älä tuudittaudu virheelliseen turvallisuuden tunteeseen äläkä laiminlyö sähkötyökaluja koskevia turvallisuusohjeita silloinkaan, kun mielestäsi jo olet kokenut sähkötyökalun käyttäjä.** Harkitsema- ton ja huolimaton toiminta voi sekunnin murto-osissa johtaa vakaviin loukkaantumisiin.

### Sähkötyökalun käyttö ja käsittely

- ▶ **Älä ylikuormita konetta.** Käytä kyseiseen työhön tarkoitettua sähkötyökalua. Sopivaa sähkötyökalua käyttäen työskentelet paremmin ja varmemmin tehoalueella, jolle sähkötyökalu on tarkoitettu.
- ▶ **Älä käytä sähkötyökalua, jonka käyttökäytin ei toimi.** Sähkötyökalu, jota ei enää voida käynnistää ja pysäyttää käyttökäytimellä, on vaarallinen ja se täytyy korjata.
- ▶ **Irrota pistoke pistorasiasta ja/tai irrota akku ennen kuin muut säätöjä, vaihdat terää tai lisäva- rusteita ja kun lopetat koneen käyttämisen.** Tämä turvatoimenpide estää sähkötyökalun tahattoman käynnistysriskin.
- ▶ **Säilytä sähkötyökalut poissa lasten ulottuvilta, kun niitä ei käytetä. Älä anna toisten henkilöiden käyttää konetta, elleivät he ole perehtyneet sen käyttöön ja lukeneet käyttöohjeita.** Sähkötyökalut ovat vaarallisia, jos niitä käyttävät kokemattomat henkilöt.
- ▶ **Hoida sähkötyökaluja ja niiden varusteita huolella. Tarkasta, että liikkuvat osat toimivat moit- teettomasti eivätkä ole puristuksissa, ja tarkasta myös, ettei sähkötyökalussa ole murtuneita tai vaurioituneita osia, jotka saattaisivat haitata sen toimintaa. Korjauta vaurioituneet osat ennen koneen käyttämistä.** Usein loukkaantumisten ja tapaturmien syyinä on sähkötyökalujen laiminlyöty huolto.
- ▶ **Pidä terät terävinä ja puhtaina.** Huolella hoidetut terät, joiden leikkausreunat ovat teräviä, eivät jumitu herkästi, ja niillä työntekeo on kevyempää.
- ▶ **Käytä sähkötyökalua, lisävarusteita ja tarvikkeita, teriä jne. niiden käyttöohjeiden mukaisesti. Ota tällöin työolosuhteet ja suoritettava työtehtävä huomioon.** Sähkötyökalun käyttö muuhun kuin sille tarkoitettuun käyttöön saattaa johtaa vaarallisiin tilanteisiin.
- ▶ **Pidä käsikahvat ja tartuntapinnat kuivina, puhtaina, öljyttöminä ja rasvattomina.** Jos käsikahvat tai tartuntapinnat ovat liukkaat, sähkötyökalun turvallinen käyttö ja hallinta voi yllättävissä tilanteissa olla mahdollonta.

### Akkukäyttöisen sähkötyökalun käyttö ja käsittely

- ▶ **Lataa akku vain valmistajan suositamalla laturilla.** Jos laturi on tarkoitettu vain tietyn akkumallin lataamiseen, palovaara on olemassa, jos laturia käytetään muiden akkujen lataamiseen.
- ▶ **Käytä ainoastaan juuri kyseiseen sähkötyökaluun tarkoitettua akkua.** Jonkun muun akun käyttö saattaa johtaa loukkaantumiseen ja tulipaloon.
- ▶ **Pidä irrallinen akku loitolla metalliesineistä, kuten paperinliittimistä, kolikoista, avaimista, nau- loista, ruuveista tai muista pienistä metalliesineistä, jotka voivat oikosulkea akun liittimet.** Akun liittimien välinen oikosulku saattaa aiheuttaa palovammoja tai johtaa tulipaloon.
- ▶ **Väärästä käytöstä johtuen saattaa vuotoa nestettä, jota ei saa koskettaa. Vältä kosketusta sen kanssa. Tarvittaessa huuhtelee kosketuskohta vedellä. Jos nestettä pääsee silmiin, tarvitaan lisäksi lääkärin apua.** Akusta vuotava neste saattaa aiheuttaa ärsytystä ja palovammoja.
- ▶ **Älä käytä akkua, joka on vaurioitunut tai johon on tehty muutoksia.** Vaurioitunut akku tai akku, jota on muutettu, saattaa käyttäytyä yllättävästi ja aiheuttaa tulipalon, räjähdyksen ja vammoja.
- ▶ **Varjele akkua avotulelta ja korkeilta lämpötiloilta.** Avotuli tai yli 130 °C:n (265 °F) lämpötila voi aiheuttaa räjähdyksen.
- ▶ **Noudata kaikkia akun lataamisesta annettuja ohjeita, ja lataa akku tai akun sisältävä sähkötyökalu aina käyttöohjeessa mainittuja lämpötilarajoja noudattaen.** Akun virheellinen lataaminen tai lataami- nen sallitun lämpötila-alueen lämpötiloja noudattamatta saattaa johtaa akun tuhoutumiseen ja aiheuttaa tulipalovaaran.

### Huolto

- ▶ **Anna koulutettujen ammattihenkilöiden korjata sähkötyökalusi ja hyväksy korjauksiin vain alkupe- räisiä varaosia.** Siten varmistat koneen turvallisuuden säilymisen.
- ▶ **Älä koskaan yritä huoltaa vaurioitunutta akkua.** Akkujen kaikki huoltotyöt saa suorittaa vain valmistaja tai sen valtuuttama huoltopiste.

## 2.2 Kaikkia sahoja koskevat turvallisuusohjeet

### Sahaustapa

- ▶ **⚠ VAKAVA VAARA: Älä vie käsiäsi sahausalueelle tai lähelle sahanterää. Pidä toisella kädelläsi kiinni lisäkahvasta tai moottorikotelosta.** Kun pidät sahasta kiinni molemmin käsin, et voi satuttaa käsiäsi sahanterään.
- ▶ **Älä tartu työkalupaleeseen kiinni sen alapinnalta.** Teräsuojus ei voi suojata käsiäsi sahanterältä työkalupaleen alapuolelta.



- ▶ **Säädä sahausvyvyys aina sahattavan työkappaleen vahvuuden mukaisesti.** Työkappaleen toiselta puolelta pitää tulla näkyviin sahanterää vähemmän kuin terän täyden hammaskorkeuden verran.
- ▶ **Älä koskaan pidä sahattavaa työkappaletta paikallaan käsin tai jalalla.** Saha työkappaleet aina tukevalla alustalla. Työkappaleen kunnollinen kiinnittäminen on tärkeää, jotta estät työkappaletta tai sahaa koskettamasta kehoasi tai sahanterää tarttumasta kiinni ja jotta varmistat koneen hallinnan säilyttämisen.
- ▶ **Tartu sähkötyökaluun vain sen eristetyistä kahvapinnoista, jos teet työtä, jossa terä saattaa osua rakenteen sisällä olevaan virtajohtoon.** Jos terä osuu virtajohtoon, sähkötyökaluun metalliosiin saattaa johtua virta, jolloin saatat saada sähköiskun.
- ▶ **Käytä rajoitinta tai suoraa reunaohjainta aina kun teet pitkittäistä sahausta.** Siten saat aikaan tarkempaa jälkeä ja estät sahanterää tarttumasta kiinni.
- ▶ **Käytä aina oikean kokoista sahanterää, jonka kiinnitysreikä on oikean muotoinen (esimerkiksi tähtimäinen tai pyöreä).** Sahaassa oleviin kiinnitysosiin sopimaton sahanterä ei pyöri tasaisesti, mikä saattaa johtaa koneen hallinnan menettämiseen.
- ▶ **Älä koskaan käytä vaurioituneita tai vääranlaisia sahanterän aluslevyjä tai -ruuveja.** Sahanterän aluslevyt ja -ruuvit on suunniteltu erityisesti kuhunkin sahaan, jotta sahan teho ja käyttöturvallisuus olisivat parhaat mahdolliset.

### Takaisku - sen syyt ja siihen liittyvät turvallisuusohjeet

- Takaisku on sahanterän kiinni tarttumisen tai takertumisen tai sahanterän väärin suunnattujen hampaiden vuoksi syntyvä tilanne, jossa saha itsestään pyrkii ylöspäin ja nousemaan irti työkappaleesta kohti koneen käyttäjää;
- jos sahanterä tarttuu kiinni tai takertelee kaventuvaan sahausrakoon, sahanterä jumittuu, ja moottorin voima iskee konetta takaisinpäin kohti sahan käyttäjää;
- jos sahanterä taipuu sahausraossa tai on väärin suunnattu, sahanterän takareunan hampaat saattavat tarttua kiinni työkappaleen pintaan, minkä seurauksena sahanterä liikkuu ylös sahausraosta ja saha iskee takaisinpäin kohti koneen käyttäjää.

Takaisku aiheutuu sahan vääranstä tai virheellisestä käyttämisestä. Sen esiintymistä voit välttää noudattamalla seuraavassa annettuja ohjeita.

- ▶ **Pidä sahasta kunnolla molemmin käsin kiinni ja pidä kätesi asennossa, jossa pystyt hyvin vastustamaan mahdollisia takaiskuvoimia. Pysyttele aina sahanterän sivulla, älä koskaan asetu samaan linjaan sahanterän kanssa.** Takaiskun sattuessa pyörösaha voi ponnahtaa taaksepäin, mutta käyttäjä pystyy sopivin toimenpitein hallitsemaan näitä takaiskuvoimia.
- ▶ **Jos sahanterä tarttuu kiinni tai keskeytät työn, kytke saha pois päältä ja odota sahanterä työkappaleessa, kunnes sahanterä on kokonaan pysähtynyt. Älä koskaan yritä nostaa sahaa irti työkappaleesta tai vetää sahaa taaksepäin sahanterän vielä pyöriessä, sillä muutoin takaisku saattaa yllättää.** Määritä ja poista sahanterän kiinni tarttumisen syy.
- ▶ **Kun haluat käynnistää uudelleen sahan, jonka terä on työkappaleessa, keskitä ensin sahanterä sahausrakoon ja tarkasta, ettei sahanterän yksikään hammas ole kiinni työkappaleessa.** Jos sahanterä tarttuu kiinni, sahanterä saattaa ponnahtaa irti työkappaleesta tai aiheuttaa takaiskun, kun käynnistät sahan uudelleen.
- ▶ **Tue levyt tai suuremmat työkappaleet hyvin, jotta sahanterän mahdollisen kiinni tarttumisen aiheuttama takaiskuvaara vähenee.** Suuremmat levyt saattavat oman painonsa vuoksi taipua. Levyjä on siksi tuettava molemmilta sivuilta sekä sahausraon ja reunan läheltä.
- ▶ **Älä käytä tylsiä tai vaurioituneita sahanteräiä.** Tylsät sahanterät tai sahanterät, joiden hampaiden suuntaus on väärä, tekevät sahausraosta liian ahtaan, mikä lisää kitkaa ja sahanterän kiinni tarttumisen vaaraa.
- ▶ **Kiristä sahausvyvyyden ja sahauskulman säädöt kiinni ennen sahaamista.** Jos muutat säätöjä sahaamisen aikana, sahanterä voi tarttua kiinni, ja saha saattaa iskeä takaisin.
- ▶ **Ole erityisen varovainen upottaessasi terää seinään tai muuhun kohteeseen, jonka rakennetta et näe tarkasti.** Materiaaliin upotettava sahanterä saattaa tarttua kiinni materiaalin sisällä oleviin kappaleisiin tai esineisiin, minkä seurauksena kone iskee takaisin.

## 2.3 Muut turvallisuusohjeet

### Henkilöturvallisuus

- ▶ **Koneeseen ei saa tehdä minkäänlaisia muutoksia.**
- ▶ **Pidä aina molemmin käsin kiinni koneen käsikahvoista. Pidä käsikahvat kuivina, puhtaina, öljyttöminä ja rasvattomina.**
- ▶ **Käytä kuulosuojaimia.** Melu saattaa heikentää kuuloasi.
- ▶ **Jos käytät konetta ilman pölynpoistolaitetta, pölyvässä työssä on käytettävä hengityssuojainta.**



- ▶ Käytä konetta vain, kun sen suojalaitteet ovat asianmukaisesti paikoillaan.
- ▶ Pidä työssäsäi rentouttavia taukoja, joiden aikana tee sormivoimisteluliikkeitä varmistaaksesi sormiesi hyvän verenkierron.
- ▶ Konetta ei ole tarkoitettu voimiltaan heikkojen henkilöiden käyttöön ilman opastusta ja apua.
- ▶ Älä jätä konetta lasten ulottuville.
- ▶ Kytke tuote päälle vasta, kun olet juuri aloittamassa työn.
- ▶ Irrota akku koneen varastoimisen ja kuljettamisen ajaksi.
- ▶ Älä tee tuotteella työtä pääsi yläpuolelle.
- ▶ Älä hidasta tuotteen kierroslukua painamalla sahanterää sivusuuntaan.
- ▶ Sahattavalla linjalla ei saa olla esteitä. Älä sahaa ruuveihin, nauloihin jne.
- ▶ Älä koske kiristyslaippaan ja laipan kiinnitysruuviin koneen käydessä.
- ▶ Älä koskaan paina karajarrun painiketta sahanterän pyöriessä.
- ▶ Älä suuntaa konetta ihmisiä kohti.
- ▶ Sovita sahausvoimasi sahanterään ja sahattavaan materiaaliin siten, että sahanterä ei jumitu eikä siten aiheuta takaiskua.
- ▶ Vältä sahanterän hampaiden kärkien ylikuumentumista.
- ▶ Muovia sahattaessa on vältettävä muovin sulamista.
- ▶ Tiettyjen materiaalien kuten lijyypitoisen maalin, joidenkin puulajien, kvartsia sisältävän betonin / muurauksen / kivetyksen ja mineraalien sekä metallien pölyt voivat olla terveydelle vaarallisia. Pölyjen ihokosketus tai hengittäminen saattaa aiheuttaa allergisia reaktioita ja/tai hengitystiesairauksia koneen käyttäjälle tai lähellä oleville henkilöille. Tietyt pölyt kuten tammen tai pyökin pöly on luokiteltu syöpää aiheuttaviksi, erityisesti jos niihin liittyy puunkäsittelyn lisäaineita (kromaatti, puunsuoja-aineet). Asbestia sisältäviä materiaaleja saavat työstää vain erikoiskoulutetut henkilöt. **Käytä mahdollisuuksien mukaan pölynpoistovarususta. Jotta pölynpoisto on mahdollisimman tehokas, käytä soveltuvaa liikuteltavaa pölynpoistovarususta. Tarvittaessa käytä hengitysuojainta, joka soveltuu kyseessä olevalla pölylle. Varmista työpaikan hyvä tuuletus. Noudata eri materiaalien työstöstä annettuja maakohtaisia ohjeita ja määräyksiä.**
- ▶ Selvitä työssä syntyvän pölyn vaarallisuus ennen työn aloittamista. Käytä rakennustyömaakäyttöön hyväksytyä pölynimuria, joka täyttää viralliset pölysuojaluokituspölymääräykset.
- ▶ Noudata kansallisia työturvallisuus- ja työsuojelumääräyksiä.

#### Sähköturvallisuus

- ▶ Tarkasta ennen työn aloittamista esimerkiksi metallinilmamaisimella, onko työskentelyalueella rakenteiden sisälle asennettuja sähkö-, kaasu- tai vesijohtoja. Koneen ulkopinnan metallisiin saattaa johtua jännite, jos vahingossa osut sähköjohtoon. Tästä aiheutuu vakava sähköiskun vaara.

#### Akkujen käyttö ja hoito

- ▶ Ota litiumioniakkujen kuljettamisesta, varastoinnista ja käyttämisestä annetut erityisohjeet huomioon.
- ▶ Pidä akut suojassa korkeilta lämpötiloilta ja avotulelta. Räjähdyksivaara on olemassa.
- ▶ Akkuja ei saa avata, puristaa, kuumentaa lämpötilaan yli 80 °C (176 °F) tai polttaa. Muutoin on olemassa tulipalo-, räjähdys- ja syöpymisvaara.
- ▶ Vaurioitunutta akkua (esimerkiksi akkua, jossa on murtumia tai josta on irronnut palasia tai jonka liittimet ovat painuneet sisään tai vääntyneet ulos), ei saa ladata eikä käyttää.
- ▶ Älä käytä akkuja muiden määrittelemättömien koneiden ja laitteiden virtalähteenä.
- ▶ Jos akku on liian kuuma koskea, se saattaa olla vaurioitunut. Aseta kone riittävän etäälle syttyvistä materiaaleista palovarattomaan paikkaan, jossa voit valvoa konetta ja anna sen jäähtyä. Ota yhteys Hilti-huoltoon akun jäähtyttyä.

#### 2.4 Pyörösahojen muut turvallisuusohjeet

- ▶ Pyörösahan on aina oltava kytkettynä, kun se viedään työkalupaleeseen.
  - ▶ Sahattavalla linjalla ei saa olla esteitä ylhäällä eikä alhaalla. Älä sahaa ruuveihin, nauloihin tai vastaaviin.
- ▶ Älä tee pyörösahalla työtä pääsi yläpuolella.
- ▶ Älä hidasta sahanterän nopeutta painamalla sitä sivusuuntaan.
- ▶ Vältä sahanterän hampaiden kärkien ylikuumentumista.
- ▶ Käytä aina sahattavaan materiaaliin sopivaa sahanterää.
- ▶ Käytä vain Hiltin suosittelemia sahanteriä, jotka vastaavat standardia EN 847-1.

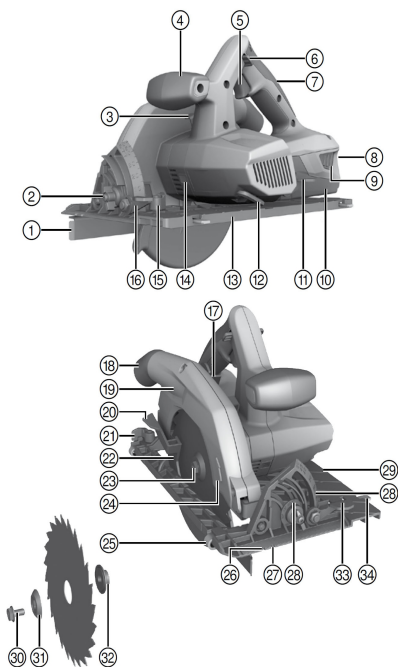


## 2.5 Akkujen käyttö ja hoito

- ▶ Ota litiumioniakkujen kuljettamisesta, varastoinnista ja käyttämisestä annetut erityisohjeet huomioon.
- ▶ Suojaa akut korkeilta lämpötiloilta, suoralta auringonpaisteelta ja avotulelta.
- ▶ Akkuja ei saa avata, puristaa, kuumentaa lämpötilaan yli 80 °C (176 °F) tai polttaa.
- ▶ Älä käytä tai lataa akkua, joka on saanut iskun, joka on pudonnut yli metrin korkeudelta tai joka on muulla tavoin vaurioitunut. Tällaisessa tapauksessa ota aina yhteys **Hilti -huoltoon**.
- ▶ Jos akku on liian kuuma koskea, se saattaa olla vaurioitunut. Laita akku palovarattomaan paikkaan ja riittävän etäälle syttyivistä materiaaleista. Anna akun jäähtyä. Jos akku vielä tunnin kuluttuakin on liian kuuma koskea, akku on vaurioitunut. Ota yhteys **Hilti-huoltoon**.

## 3 Kuvaus

### 3.1 Tuoteyhteenveto 1



- ① Yksivartinen reunaohjain
- ② Sahauskulman esiasetus (22,5°, 45°, 50°)
- ③ Karan lukituspainike
- ④ Lisäkäsikahva
- ⑤ Käyttökytin
- ⑥ Käynnistymisen estokatkaisin
- ⑦ Käsikahva
- ⑧ Lataustila- ja häiriönäyttö (litiumioniakku)
- ⑨ Vapautuspainikkeet joissa lisätoimintona lataustilan näytön aktivointi
- ⑩ Akku
- ⑪ Sahaussyvyyden säädön lukitusvipu
- ⑫ Kuusiokoloavain
- ⑬ Pieni pohjalevy
- ⑭ LED-valo
- ⑮ Reunaohjaimen etupään lukitusvipu
- ⑯ Sahauskulman säädön lukitusvipu
- ⑰ Sahaussyvyyden asteikko
- ⑱ Liitin (lastukanava)
- ⑲ Teräsuojus
- ⑳ Kupusuojuksen käyttövipu
- ㉑ Reunaohjaimen takapään lukitusvipu (vain jos suuri pohjalevy)
- ㉒ Kupusuojus
- ㉓ Käyttökara
- ㉔ Pyörimissuuntanuoli
- ㉕ Kaksivartinen reunaohjain
- ㉖ Sahausmerkintä 0°
- ㉗ Sahausmerkintä 45°
- ㉘ Sahauskulman asteikko
- ㉙ Suuri pohjalevy
- ㉚ Kiinnitysruuvi
- ㉛ Kiristyslaippa
- ㉜ Kiinnityslaippa
- ㉝ Uramerkinä 0° pohjalevyssä
- ㉞ Uramerkinä 1° - 50° pohjalevyssä

### 3.2 Ohjainkiskoadapteri 2

- |                            |                        |
|----------------------------|------------------------|
| ③⑤ Tukiharjanne takapäessä | ③⑦ Uramerkinä 0°       |
| ③⑥ Tukiharjanne edessä     | ③⑧ Uramerkinä 1° - 50° |



### 3.3 Tarkoituksenmukainen käyttö

Kuvattu tuote on akkukäyttöinen pyörösaha. Se on tarkoitettu puun tai puun kaltaisten materiaalien, muovien, kipsikartongin, kipsikuitulevyjen ja seosmateriaalien sahaamiseen.

Pyörösahassa on lisävarusteista imuria/pölynpoistovarususta varten irrotettava liitin, johon sopii yleismallinen imuriletku. Pölynimurin letkun liittäminen sahaan saattaa vaatia sopivan adapterin.

- ▶ Sahanteriä, jotka eivät vastaa tässä käyttöohjeessa annettuja tietoja (esimerkiksi halkaisija, kierrosliku, vahvuus), sekä katkaisu- tai hiomalaikkoja ja suurlejeeringistä valmistettuja pikaterästeriä (HSS-teräs) ei saa käyttää. Metalleja ei saa sahata.
- ▶ Älä käytä tuotetta oksien tai puiden katkaisemiseen.
- ▶ Käytä tämän tuotteen yhteydessä vain B 22 -tyyppisarjan **Hilti**-litiumioniakkuja.
- ▶ Käytä näiden akkujen lataamiseen vain C4/36-sarjan **Hilti**-latureita.

### 3.4 Litiumioniakun näyttö

Litiumioniakun lataustila ja koneen häiriöt näytetään litiumioniakun näytössä. Litiumioniakun lataustila näytetään, kun jompaakumpaa akun lukituksen vapautuspainikkeista painetaan kevyesti.

Tila	Merkitys
4 LED-merkkivaloa palaa.	Lataustila: 75 % ... 100 %
3 LED-merkkivaloa palaa.	Lataustila: 50 % ... 75 %
2 LED-merkkivaloa palaa.	Lataustila: 25 % ... 50 %
1 LED-merkkivalo palaa.	Lataustila: 10 % ... 25 %
1 LED-merkkivalo vilkkuu, kone on toimintavalmis.	Lataustila: < 10 %
1 LED-merkkivalo vilkkuu, kone ei ole toimintavalmis.	Akku on ylikuumentunut tai täysin tyhjentynyt.
4 LED-merkkivaloa vilkkuu, kone ei ole toimintavalmis.	Kone on ylikuormittunut tai ylikuumentunut.

Akun lataustilan tarkastaminen ei ole mahdollista käyttökäytin painettuna ja 5 sekunnin aikana käyttökäytimen vapauttamisesta.

Jos akun LED-merkkivalot vilkkuvat, ota huomioon ohjeet kappaleessa Apua häiriötilanteisiin.

### 3.5 Reunaohjain

Yksivartisen reunaohjaimen avulla voit sahata tarkasti työkappaleen reunan tai mitoitaan samanlaisen listan mukaisesti.

Voit kiinnittää reunaohjaimen pohjalevyn kumpaankin reunaan.

### 3.6 Toimituksen sisältö

Pyörösaha, sahanteriä, kuusiokoloavain, reunaohjain, pölynimurin liitin, käyttöohje, (lisävarusteena: ohjainkiskoadapteri)

Tälle tuotteelle hyväksytyjä varaosia, kulutusmateriaaleja ja lisävarusteita löydät **Hilti Store** -liikkeestä tai osoitteesta: [www.hilti.group](http://www.hilti.group).

### 3.7 Lisävarusteet

Kiristyslaippa, kiinnityslaippa, kiinnitysruuvi.

## 4 Tekniset tiedot

### 4.1 Pyörösaha

	SC 70W-A22
Nimellisjännite	21,6 V
Paino EPTA 01 mukaan	4,8 kg
Sahanterän ohjeenmukainen halkaisija	190 mm



	SC 70W-A22
Runkolevyn paksuus	0,7 mm ... 1,5 mm
Sahausleveys	1,5 mm ... 2 mm
Sahanterän kiinnitysreikä	30 mm
Nimellisjoutokäyntikierrosluku	3 500/min
Max. sahausvyvyys kun 0°	70 mm
Max. sahausvyvyys kun 45°	51 mm
Max. sahausvyvyys kun 50°	45 mm
Jiirisahauskulma	0° ... 50°
Käyttölämpötila	-10 °C ... 50 °C
Varastointilämpötila (ilman akkua)	-30 °C ... 70 °C

## 4.2 Akku

Akkutoimintajännite	21,6 V
Ympäristön lämpötila käytettäessä	-17 °C ... 60 °C
Varastointilämpötila	-20 °C ... 40 °C
Akun lämpötila lataamisen alkaessa	-10 °C ... 45 °C

## 4.3 Standardin EN 62841 mukaan määritetyt melu- ja värinäarvot

Tässä käyttöohjeessa annetut äänenpaine- ja värinäarvot on mitattu standardoitujen mittausmenetelmien mukaisesti, ja näitä arvoja voidaan käyttää sähkötyökalujen vertailussa. Ne soveltuvat myös altistumisten tilapäiseen arviointiin. Annetut arvot koskevat sähkötyökalun pääasiallisia käyttötarkoituksia. Jos sähkötyökalua kuitenkin käytetään muihin tarkoituksiin, poikkeavia työkaluja tai teriä käyttäen tai puutteellisesti huollettuna, arvot voivat poiketa tässä ilmoitetuista. Tämä saattaa merkittävästi lisätä altistumista koko työskentelyajan aikana. Altistumisia tarkasti arvioitaessa on otettava huomioon myös ne ajat, jolloin kone on kytketty pois päältä tai jolloin kone on päällä, mutta sillä ei tehdä varsinaista työtä. Tämä saattaa merkittävästi vähentää altistumista koko työskentelyajan aikana. Käyttäjän suojaamiseksi melun ja/tai värinän vaikutukselta ryhdy tarpeellisiin turvatoimenpiteisiin kuten: Sähkötyökalun ja siihen kiinnitettävien työkalujen huolto, käsien lämpimänä pitäminen, työtehtävien organisointi.

### Standardin EN 62841 mukaisesti määritetyt melupäästöarvot

	SC 70W-A22
Äänitehotaso ( $L_{WA}$ )	103 dB(A)
Äänitehotason epävarmuus ( $K_{WA}$ )	3 dB(A)
Äänenpainetaso ( $L_{pA}$ )	92 dB(A)
Äänenpainetaso epävarmuus ( $K_{pA}$ )	3 dB(A)

Tärinän kokonaisarvot (kolmen suunnan vektorien summa), määritetty standardin EN 62841 mukaan

	SC 70W-A22
Tärinäarvo sahattaessa puuta ( $A_{h, w}$ )	0,93 m/s <sup>2</sup>
Epävarmuus (K)	1,5 m/s <sup>2</sup>

## 5 Käyttö

### 5.1 Työkohteen valmistelu

#### 5.1.1 Akun lataus

- Ennen lataamista lue laturin käyttöohje.
- Varmista, että liittimet akussa ja laturissa ovat puhtaat ja kuivat.
- Lataa akku hyväksytyllä laturilla. 97





### 5.1.2 Akun kiinnitys

#### VAARA

#### Loukkaantumisvaara akun oikosulun tai putoamisen seurauksena!

- ▶ Ennen akun paikalleen laittamista varmista, ettei akun liittimissä akussa ja tuotteessa ole vieraita esineitä.
- ▶ Varmista, että akku aina lukittuu kunnolla paikalleen.

1. Lataa akku täyteen ennen ensimmäistä käyttökertaa.
2. Työnnä akku tuotteeseen siten, että akku kuultavasti lukittuu paikalleen.
3. Tarkasta, että akku on kunnolla kiinni.

### 5.1.3 Akun irrotus

1. Paina akun lukituksen vapautuspainikkeita.
2. Vedä akku irti laitteesta.

### 5.1.4 Sahanterän irrottaminen

#### VAARA

#### Sahanterän, kiinnitysruuvien ja kiristyslaipan aiheuttama palovamma- ja haavavammavaara

Seurauksena voi olla palovammoja ja haavoja.

- ▶ Käytä suojakäsineitä, kun vaihdat työkalua.

1. Irrota akku.
2. Aseta kuusiokoloavain sahanterän kiinnitysruuviin.
3. Paina karan lukituspainiketta ja pidä se painettuna.
4. Kierrä sahanterän kiinnitysruuvia kuusiokoloavaimella, kunnes karajarrun painike lukittuu kokonaan.
5. Avaa kiinnitysruuvi kuusiokoloavaimella pyörimissuuntanuolen suuntaan kiertäen.
6. Irrota kiinnitysruuvi ja ulompi kiristyslaippa.
7. Avaa kupusuojus kääntämällä ja irrota sahanterä.



Tarvittaessa kiinnityslaippa voidaan irrottaa puhdistamista varten.

### 5.1.5 Sahanterän kiinnittäminen

#### VAROITUS

#### Vaurioitumisvaara! Soveltumaton tai väärin kiinnitetty sahanterä voi vaurioittaa sahaa.

- ▶ Käytä vain sahanterä, jotka soveltuvat tälle sahalle. Ota sahanterässä oleva pyörimissuuntanuoli huomioon.
- ▶ Käytä vain sellaisia sahanterä, joiden sallittu kierros-luku on vähintään yhtä suuri kuin tuotteessa ilmoitettu maksimikierros-luku.



**Varmista, että sahanterä, jonka aiot kiinnittää sahahan, täyttää tekniset vaatimukset ja on hyvin teroitettu.** Moitteettoman sahausjäljen perusedellytys on terävä sahanterä.

1. Irrota akku.
2. Puhdista kiinnitys- ja kiristyslaippa.
3. Aseta kiinnityslaippa kunnolla paikalleen käyttökaraan.
4. Avaa kupusuojus.
5. Aseta uusi sahanterä paikalleen.
6. Aseta ulompi kiristyslaippa kunnolla paikalleen.
7. Kiinnitä kiinnitysruuvi.
8. Aseta kuusiokoloavain sahanterän kiinnitysruuviin.
9. Paina karajarrun painiketta.
10. Kiinnitä kiristyslaippa kiertämällä kiinnitysruuvia kuusiokoloavaimella pyörimissuuntanuolen suuntaan vastaan.
  - ▶ Karajarrun painike lukittuu.
11. Tarkasta sahanterän tiukka ja kunnollinen kiinnitys ennen koneen käyttämistä.



### 5.1.6 Sahaussyvyyden säätö 5

1. Irrota akku.
2. Löystyä syvyyssäädön lukitusvipu.
3. Nosta tuotetta saksimaisella liikkeellä ja säädä sahausyvyys haluamaksesi kiristämällä lukitusvipu kiinni.



Sahaussyvyys pitää aina säätää noin 5–10 mm suuremmaksi kuin sahattavan materiaalin vahvuus. Säädetyt syvyyden voit lukea teräsuojuksen taustapinnalla olevalta asteikolta.

### 5.1.7 Sahauskulman säätö 6

1. Irrota akku.
2. Löystyä kallistussäädön lukitusvipu.
3. Kallista tuote haluamaasi asentoon.



Sahauskulman esiasetuksella voidaan vaivattomasti asettaa maksimikulmaksi 22,5° / 45° / 50°

4. Kiristä kallistussäädön lukitusvipu kiinni.

### 5.1.8 Sahaaminen piirtoreunaa pitkin 7



Pyörösahan etummaisessa pohjalevyssä on sekä kohtisuorassa sahaamiseen että kallistettuna sahaamiseen tarkoitettu piirtoreuna (0° ja 45°). Sen avulla pystyt tarkasti sahaamaan valitsemasi sahauskulman mukaisesti. Piirtoreuna vastaa sahanterän sisäreunaa. Piirtoreuna sijaitsee sahanterän etupään aukossa.



Varmista, että työkappale pysyy paikallaan.

Sijoita työkappale siten, että sahanterälle on esteettömästi tilaa työkappaleen alla.

Varmista, että tuotteen käyttökytkin on pois päältä -asennossa.

Aseta tuote pohjalevyypinta edellä työkalpaletta vasten siten, että sahanterä ei vielä kosketa työkalpaletta.

1. Kiinnitä akku paikalleen.
2. Kytke tuote päälle painamalla käyttökytkintä käynnistymisen estokatkaisin painettuna.
3. Ohjaa tuotetta sopivalla nopeudella pitkin työkalpaaleen piirtolinjaa.

### 5.1.9 Reunaohjaimen kiinnitys / säätö 8

1. Irrota akku.
2. Kierrä kiinnitysruuvi pohjalevyyn vain niin pitkälle, että reunaohjaimen työntämiselle vielä on riittävästi tilaa.
3. Työnnä reunaohjaimen ohjain kiinnitysruuvien alle.
4. Säädä sahausveveys haluamaksesi.
5. Kiristä kiinnitysruuvi kiinni.



Voit kiinnittää reunaohjaimen (yksivartinen/kaksivartinen) pohjalevyn kumpaankin reunaan. Kaksivartista reunaohjainta voi käyttää vain suuren pohjalevyn yhteydessä.

Reunaohjaimen avulla voit sahata tarkasti työkalpaaleen reunan tai mitoiltaan samanlaisen listan mukaisesti.

### 5.1.10 Ohjainkiskoadapterin kiinnitys 9



Saha voidaan varustaa lisävarusteena saatavalla ohjainkiskoadapterilla.

Jos sahassa on pieni pohjalevy, käytä ohjainkiskoon sopivaa ohjainkiskoadapteria.

1. Irrota akku.
2. Irrota mahdollisesti asennettu reunaohjain.
3. Ohjaa pohjalevy ohjainkiskoadapterin sivuissa oleviin harjanteisiin.
4. Aseta pohjalevy kokonaan ohjainkiskoadapteriin.
5. Lukitse ohjainkiskoadapteri paikalleen painamalla kummatkin luistit vasteeseen saakka.



## 5.2 Työ

### 5.2.1 Kytkeminen päälle

- ▶ Kytke tuote päälle painamalla käyttökytkintä käynnistymisen estokatkaisin painettuna.

### 5.2.2 Kytkeminen pois päältä

- ▶ Pysäytä kone vapauttamalla käyttökytkin.

### 5.2.3 Pitkittäinen sahaaminen kulmassa 0° **10**

1. Aseta pyörösaaha uramerkin "0°" kohdalta ohjainkiskon harjanteeseen.
2. Kytke tuote päälle painamalla käyttökytkintä käynnistymisen estokatkaisin painettuna.
3. Ohjaa tuotetta sopivalla nopeudella kiskoa pitkin työkappaleen läpi.

### 5.2.4 Pitkittäinen sahaaminen enintään 50° kulmassa **11**

1. Säädä kulma.

#### VAARA

**Osumisvaara vinoassa asennossa sahattaessa!** Sahanterän ja ohjainkiskon toisiinsa osumisen vaara.

- ▶ Aseta saha oikeasta urastaan ohjainkiskon harjanteeseen. Muutoin sahanterä osuu ohjainkiskoon.

2. Aseta saha uramerkin "1°-50°" kohdalta ohjainkiskon harjanteeseen.
3. Kytke tuote päälle painamalla käyttökytkintä käynnistymisen estokatkaisin painettuna.
4. Ohjaa tuotetta sopivalla nopeudella kiskoa pitkin työkappaleen läpi.

### 5.2.5 Tylppäkulmaisen kulmasahaamisen asetus **12**

1. Aseta ohjainkisko sen nolapiste vasten työkappaleen reunaa ja käännä kiskoa niin paljon, että haluamasi kulma on kulma-asteikolla nolapisteen vastakkaisella puolella. Näytetty sahauskulma on kulma, jonka verran sahauskulma poikkeaa suorasta kulmasta.
2. Kiinnitä ohjainkisko kahdella ruuvipuristimella.
3. Aseta pyörösaaha uramerkin "0°" kohdalta ohjainkiskon harjanteeseen.
4. Kytke tuote päälle painamalla käyttökytkintä käynnistymisen estokatkaisin painettuna.
5. Ohjaa tuotetta sopivalla nopeudella kiskoa pitkin työkappaleen läpi.

### 5.2.6 Sahaaminen ilman poistoimuria

1. Varmista, että mikään ei estä lastujen poistumista.
2. Tarvittaessa voit irrottaa liittimen teräsuojuksesta irrotettuasi ensin kuusiokoloruuvien tuotteessa olevalla kuusiokoloavaimella.

## 6 Huolto ja kunnossapito

#### VAARA

**Loukkaantumisvaara jos akku paikallaan !**

- ▶ Irrota akku aina ennen hoito- ja kunnostustöitä!

#### Tuotteen hoito

- Puhdista pinttynyt lika varovasti.
- Jos tuotteessa on jäähdytysilmarao, puhdista ne varovasti kuivalla ja pehmeällä harjalla.
- Puhdista kotelon pinnat vain kevyesti kostutetulla kankaalla. Älä käytä silikonisia sisältäviä hoitoaineita, sillä ne saattavat vaurioittaa muoviosia.
- Käytä tuotteen liittimien puhdistamiseen vain puhdasta ja kuivaa kangaspalaa.

#### Litiumioniakkujen hoito

- Älä koskaan käytä akkua, jos sen jäähdytysilmarao ovat tukkeutuneet. Puhdista jäähdytysilmarao varovasti kuivalla, pehmeällä harjalla.
- Vältä altistamista akkua tarpeettomasti pölylle tai lialle. Älä koskaan altista akkua suurelle kosteudelle (esimerkiksi upota veteen tai jätä sateeseen).

Jos akku on pahoin kastunut, käsittele sitä kuin vaurioitunutta akkua. Eristä akku palamattomasta materiaalista valmistettuun astiaan ja ota yhteys **Hilti**-huoltoon.



- Pidä akku öljyttömänä ja rasvattomana. Älä anna pölyn ja lian kertyä akun pintaan. Puhdista akku kuivalla, pehmeällä harjalla tai puhtaalla, kuivalla kankaalla. Älä käytä siilikonia sisältäviä hoitoaineita, sillä ne saattavat vaurioittaa muoviosia.  
Älä kosketa akun liittimiä äläkä poista akun liittimiin tehtaalla laitettua rasvaa.
- Puhdista kotelon pinnat vain kevyesti kostutetulla kankaalla. Älä käytä siilikonia sisältäviä hoitoaineita, sillä ne saattavat vaurioittaa muoviosia.

### Kunnossapito



#### VAARA

**Sähköiskun aiheuttama vaara!** Sähköosien asiantuntemattomat korjaukset voivat aiheuttaa vakavia loukkaantumisia ja palovammoja.

- ▶ Sähköosien korjaustyöt saa tehdä ainoastaan valtuutettu sähköasentaja.
- Tarkasta säännöllisin välein kaikkien näkyvien osien mahdolliset vauriot ja käyttöelementtien moitteeton toiminta.
- Jos havaitset vaurioita ja/tai toimintahäiriöitä, älä käytä tuotetta. Korjauta tuote viipymättä **Hilti**-huollossa.
- Hoito- ja kunnostustöiden jälkeen kiinnitä kaikki suojalaitteet takaisin ja tarkasta niiden moitteeton toiminta.



Turvallisen käytön varmistamiseksi käytä vain alkuperäisiä varaosia, kulutusmateriaaleja ja lisävarusteita. **Hiltin** tälle tuotteelle hyväksymiä varaosia, kulutusmateriaaleja ja lisävarusteita löydät **Hilti Store** -liikkeestä tai osoitteesta: **www.hilti.group**

### 6.1 Suojalaitteiden puhdistus

1. Irrota sahanterä, jotta pääset puhdistamaan suojalaitteet.
2. Puhdista suojalaitteet varovasti kuivalla harjalla.
3. Poista suojalaitteiden sisälle kertynyt massa ja lastut sopivalla työkalulla.
4. Kiinnitä sahanterä.

### 6.2 Työvaiheet jos lastukanava tukkeutunut

1. Irrota akku.
2. Puhdista lastukanava.



Tarvittaessa sahanterä on irrotettava. 99

3. Tarkasta, että liikkuvat osat toimivat moitteettomasti eivätkä ole puristuksessa, ja tarkasta myös, ettei tuotteessa ole murtuneita tai vahingoittuneita osia, jotka saattaisivat vaikuttaa haitallisesti tuotteen toimintaan.

### 6.3 Tarkastus huolto- ja kunnossapitotöiden jälkeen



Tarkasta huolto- ja kunnossapitotöiden jälkeen, että kaikki suojalaitteet on asennettu oikein ja että ne toimivat moitteettomasti.

- ▶ Tarkasta kupusuojuksen toiminta avaamalla se käyttövivulla kokonaan.
  - ▶ Kun vapautat käyttövivun, kupusuojuksen pitää sulkeutua nopeasti ja kokonaan.

## 7 Kuljetus ja varastointi

### Akkuyökalujen ja akkujen kuljetus



#### VAROITUS

**Käynnistyminen vahingossa kuljetuksen aikana !**

- ▶ Kuljeta tuotteesi aina akku irrotettuna!
- ▶ Irrota akku/akut.
- ▶ Älä koskaan kuljeta akkuja irrallaan muiden tavaroiden joukossa. Akut on suojattava kuljetuksen ajaksi koviilta iskuiltä ja tärinäältä, ja ne on eristettävä kaikenlaisista sähköä johtavista materiaaleista ja muista



akuista, jotta niiden navat eivät pääse kosketuksiin muiden akkujen napojen kanssa. Seurauksena saattaisi olla oikosulku. **Noudata maakohtaisia akkujen kuljetusmääräyksiä.**

- ▶ Akkuja ei saa koskaan lähettää postitse. Käänny kuljetusyrityksen puoleen, kun haluat lähettää vaurioittomia akkuja.
- ▶ Tarkasta tuotteen ja akun mahdolliset vauriot aina ennen käyttöä sekä ennen pitkää kuljetusta ja sen jälkeen.

### Akkutyökalujen ja akkujen varastointi

#### VAARA

#### Viallinen tai vuotava akku voi aiheuttaa vaurioita !

- ▶ Varastoi tuotteesi aina akku irrotettuna!
- ▶ Varastoi tuote ja akut viileässä ja kuivassa paikassa. Ota teknisissä tiedoissa annetut lämpötilarat huomioon.
- ▶ Akkuja ei saa säilyttää laturissa. Irrota akku laturista aina latauksen päätyttyä.
- ▶ Älä koskaan varastoi akkuja auringonpaisteessa, lämmönlähteen päällä tai ikkunan vieressä.
- ▶ Varastoi tuote ja akut lasten ja asiattomien henkilöiden ulottumattomissa.
- ▶ Tarkasta tuotteen ja akun mahdolliset vauriot aina ennen käyttöä sekä ennen pitkää varastointia ja sen jälkeen.

## 8 Apua häiriötilanteisiin

- ▶ Häiriöissä, joita ei ole kuvattu tässä taulukossa tai joita et itse pysty poistamaan, ota yhteys **Hilti**-huoltoon.

### 8.1 Pyörösaha ei ole toimintakykyinen

Häiriö	Mahdollinen syy	Ratkaisu
LED-merkkivalot eivät näytä mitään.	Akku ei kunnolla kiinni.	▶ Kiinnitä akku paikalleen.
	Akku tyhjentynyt.	▶ Lataa akku.
	Akku liian kuuma tai liian kylmä.	▶ Anna akun jäähtyä tai lämmitä suositeltuun ympäristölämpötilaan.
1 LED merkkivalo vilkkuu.	Akku tyhjentynyt.	▶ Lataa akku.
	Akku liian kuuma tai liian kylmä.	▶ Anna akun jäähtyä tai lämmitä suositeltuun ympäristölämpötilaan.
4 LED-merkkivaloa vilkkuu.	Pyörösaha hetkellisesti ylikuormittunut.	▶ Vapauta käyttökytkin ja paina sitä uudelleen.
	Ylikuumentumissuoja.	▶ Anna pyörösahan jäähtyä ja puhdista jäähdytysilmaraat.

### 8.2 Pyörösaha on toimintakykyinen

Häiriö	Mahdollinen syy	Ratkaisu
Käyttökytkintä ei saa painettaa tai se on jumissa.	Ei vika (turvallisuus toiminto).	▶ Paina käynnistymisen estokatkaisinta.
Kierrosluke laskee yhtäkkiä runsaasti.	Akku tyhjentynyt.	▶ Lataa akku.
	Työskentelyvoima liian suuri.	▶ Kevennä työskentelyvoimaa ja kytke tuote takaisin päälle.
Lastut eivät mene lastusäiliöön, vaan putoavat pohjalevyypinnan päälle.	Lastusäiliö täynnä.	▶ Tyhjennä lastusäiliö.
	Lastukanava tukossa.	▶ Puhdista lastukanava. 102
Sahanterä pysähtyy.	Työskentelyvoima liian suuri.	▶ Kevennä työskentelyvoimaa ja kytke tuote takaisin päälle.
Akku tyhjenee tavallista nopeammin.	Akun kunto ei optimaalinen.	▶ Vaihda akku.



Häiriö	Mahdollinen syy	Ratkaisu
Akku ei lukitu paikalleen selvästi kaksi kertaa naksauttaen.	Akun salpanokat liikaantuneet.	► Puhdista korvakkeet ja lukitse akku paikalleen. Jos ongelma ei poistunut, hakeudu <b>Hilti</b> -huoltoon.
Pyörösaha tai akku kuumenee voimakkaasti.	Sähköinen vika	► Kytke pyörösaha heti pois päältä. Irrota akku ja tarkkaile sitä. Anna akun jäähtyä. Ota yhteys <b>Hilti</b> -huoltoon.
	Tuote on ylikuormittunut (käyttökuormitusraja ylittynyt).	► Valitse työtehtävään soveltuva kone.
Saha tärisee voimakkaasti	Sahanterä väärin kiinnitetty	► Kiinnitä sahanterä oikein. 99

## 9 Hävittäminen

### VAARA

**Määräystenvastaisten hävittäminen aiheuttaa loukkaantumisvaaran!** Ulos vuotavat kaasut tai nesteet vaarantavat terveyden.

- Älä lähetä vaurioituneita akkuja!
- Peitä liittännät sähköä johtamattomalla materiaalilla oikosulkujen välttämiseksi.
- Hävitä akut siten, etteivät ne voi joutua lasten käsiin.
- Hävitä akku viemällä se **Hilti Store** -liikkeeseen tai käänny vastuullisen jätteenkäsittely-yrityksen puoleen.

**Hilti**-tuotteet on pääosin valmistettu kierrätyskelppoisista materiaaleista. Kierrätyksen edellytys on materiaalien asianmukainen lajittelu. Useissa maissa **Hilti** ottaa vanhat koneet ja laitteet vastaan kierrätystä ja hävitystä varten. Lisätietoja saat **Hilti**-huollosta tai -edustajalta.



- Älä hävitä sähkötyökaluja, elektronisia laitteita ja akkuja tavallisen sekajätteen mukana!

## 10 RoHS (vaarallisten aineiden käytön rajoittamisen direktiivi)

Vaarallisten aineiden taulukon löydät seuraavasta linkistä: [qr.hilti.com/r2937785](http://qr.hilti.com/r2937785).  
Linkki RoHS-taulukkoon on tämän dokumentaation lopussa QR-koodina.

## 11 Valmistajan myöntämä takuu

- Jos sinulla on takuuehtoihin liittyviä kysymyksiä, ota yhteys paikalliseen **Hilti**-edustajaan.

## Eredeti használati utasítás

### 1 A használati utasításra vonatkozó adatok

#### 1.1 A használati utasításhoz

- Üzembe helyezés előtt feltétlenül olvassa el a használati utasítást. Ez a biztonságos munkavégzés és a hibamentes kezelés előfeltétele.
- Vegye figyelembe a használati utasításban és a termékben található biztonsági utasításokat és figyelmeztetéseket.
- Ezt a használati utasítást mindig tárolja a termék közelében, és a terméket csak ezzel a használati utasítással együtt adja tovább harmadik személynek.

#### 1.2 Jelmagyarázat

##### 1.2.1 Figyelmeztetések

A figyelmeztetések a termék használata során előforduló veszélyekre hívják fel a figyelmet. A következő figyelmeztetéseket használjuk:



**⚠ VESZÉLY**

**VESZÉLY !**

- ▶ Súlyos testi sérüléshez vagy halálhoz vezető közvetlen veszély esetén.

**⚠ FIGYELMEZTETÉS**

**FIGYELMEZTETÉS !**

- ▶ Ezzel a szóval hívjuk fel a figyelmet egy olyan lehetséges veszélyre, amely súlyos személyi sérüléshez vagy halálhoz vezethet.

**⚠ VIGYÁZAT**

**VIGYÁZAT !**

- ▶ Ezzel a szóval hívjuk fel a figyelmet egy lehetséges veszélyhelyzetre, amely személyi sérüléshez vagy anyagi kárhoz vezethet.

**1.2.2 Szimbólumok a használati utasításban**

A jelen használati utasítás a következő szimbólumokat használja:

	Tartsa be a használati utasítást
	Alkalmazási útmutatók és más hasznos tudnivalók
	Újrahasznosítható anyagokkal való bánásmód
	Az elektromos gépeket és akkukat ne dobja a háztartási szemétkébe
	<b>Hilti</b> lítium-ion akku
	<b>Hilti</b> töltőkészülék

**1.2.3 Az ábrákon használt szimbólumok**

Az ábrákon a következő szimbólumokat használjuk:

<b>2</b>	Ezek a számok a jelen használati utasítás elején található ábrákra vonatkoznak.
3	Az ábrák számozása a fontos munkalépésekre vagy fontos részegységekre utal. A szövegben ezeket a munkalépéseket vagy részegységeket megfelelő számokkal emelik ki, pl. <b>(3)</b> .
<b>11</b>	Az <b>áttekintő</b> ábrában használt pozíciószámok a <b>termék áttekintésére szolgáló</b> szakasz jelmagyarzatában lévő számokra utalnak.
	Ez a jel hívja fel a figyelmét arra, hogy a termék használata során különös odafigyeléssel kell eljárnia.

**1.3 Termékhez kötődő szimbólumok**

**1.3.1 Szimbólumok**

A terméken a következő szimbólumokat használhatjuk:

$n_0$	Névleges üresjáratú fordulatszám
	Egyenáram
RPM	Fordulatszám percenként
$\varnothing$	Átmérő
	Fűrészlap
	A termék az iOS és Android platformokkal kompatibilis vezeték nélküli adatátvitelhez használható.



Li-ion	Li-ion akku
	A használt <b>Hilti</b> Li-ion akku típusorozata. Vegye figyelembe a <b>Redeltetésszerű használat</b> fejezetben közölt adatokat.
	Az akkut soha ne használja ütőszerszámként.
	Ügyeljen arra, hogy ne ejtse le az akkut. Ne használjon olyan akkut, amelyet ütés ért vagy egyéb módon sérült.

#### 1.4 Termékinformációk

A **HILTI** termékeket kizárólag szakember általi használatra szánták és a gépet csak engedéllyel rendelkező, szakképzett személy használhatja, javíthatja. Ezt a személyt minden lehetséges kockázati tényezőről tájékoztatni kell. A termék és tartozékai könnyen veszélyt okozhatnak, ha nem képzett személy dolgozik velük, vagy nem rendeltetésszerűen használják őket.

A típusjelölés és a sorozatszám a típus táblán található.

- ▶ Jegyezze fel a sorozatszámot a következő táblázatba. Amennyiben kérdéssel fordul a képviselőnköz vagy a szervizhez, szüksége lesz ezekre a termékadatokra.

##### Termékadatok

Körfűrész	SC 70W-A22
Generáció	01
Sorozatszám	

#### 1.5 Megfelelőségi nyilatkozat

Kizárólagos felelősségünk tudatában kijelentjük, hogy ez a termék megfelel az érvényben lévő irányelveknek és szabványoknak. A megfelelési nyilatkozat másolatát a dokumentáció végén találja.

A műszaki dokumentáció helye:

Hilti Entwicklungsgesellschaft mbH | Zulassung Geräte | Hiltistraße 6 | 86916 Kaufering, DE

## 2 Biztonság

### 2.1 Általános biztonsági tudnivalók az elektromos kéziszerszámokhoz

**⚠ FIGYELMEZTETÉS** Olvasson el minden biztonsági tudnivalót és utasítást, illusztrált anyagot és műszaki adatot, amelyet ehhez az elektromos kéziszerszámhoz mellékeltek. Az alábbi biztonsági tudnivalók és utasítások betartásának elmulasztása áramütéshez, tűzhöz és/vagy súlyos testi sérüléshez vezethet.

**Őrizzen meg minden biztonsági tudnivalót és utasítást a jövőbeni használathoz.**

A biztonsági utasításokban használt „elektromos kéziszerszám” fogalom hálózatról üzemelő elektromos kéziszerszámokra (tápkábelrel együtt érve) és akkumulátoros elektromos kéziszerszámokra (tápkábel nélkül) vonatkozik.

#### Munkahelyi biztonság

- ▶ **Tartsa tisztán a munkahelyét és jól világítsa meg.** Rendetlen munkahelyek és megvilágítatlan munkaterületek balesetekhez vezethetnek.
- ▶ **Ne dolgozzon az elektromos kéziszerszámmal olyan robbanásveszélyes környezetben, ahol éghető folyadékok, gázok vagy porok vannak.** Az elektromos kéziszerszámok szikrákat bocsáthatnak ki, amelyek meggyújthatják a port vagy a gyúlékony gőzöket.
- ▶ **Tartsa távol a gyerekeket és az idegen személyeket a munkahelytől, ha az elektromos kéziszerszámot használja.** Ha elvonják a figyelmét a munkáról, könnyen elvesztheti az uralmát a berendezés felett.

#### Elektromos biztonsági előírások

- ▶ **Az elektromos kéziszerszám csatlakozódugójának illeszkednie kell a dugaszolóaljzatba. A csatlakozódugót semmilyen módon sem szabad megváltoztatni. Védőföldeléssel ellátott elektromos kéziszerszámokhoz ne használjon csatlakozóadaptert.** Az eredeti csatlakozódugó és a hozzá illeszkedő csatlakozóaljzat csökkenti az áramütés kockázatát.
- ▶ **Ne érjen hozzá földelt felületekhez, például csövekhez, fűtőtestekhez, tűzhelyekhez és hűtőszekrényekhez.** Az áramütés veszélye megnövekszik, ha a teste le van földelve.





- ▶ **Tartsa távol az elektromos kéziszerszámokat az esőtől és a nedvesség hatásaitól.** Ha víz hatol be az elektromos kéziszerszámba, az növeli az áramütés kockázatát.
- ▶ **Ne használja a csatlakozókábelt a rendeltetésétől eltérő célokra, vagyis az elektromos kéziszerszámot soha ne hordozza vagy akassza fel a kábelnél fogva, és soha ne húzza ki a hálózati csatlakozódugót a kábelnél fogva. Tartsa távol a csatlakozókábelt hőforrásoktól, olajtól, éles élektől és sarkaktól, mozgó alkatrészekről.** A sérült vagy összetekert csatlakozókábel növeli az áramütés kockázatát.
- ▶ **Ha az elektromos kéziszerszámmal szabadban dolgozik, akkor csak a szabadban való használatra engedélyezett hosszabbítókábelt használjon.** A kültérre is alkalmas hosszabbítókábel használata csökkenti az áramütés kockázatát.
- ▶ **Használjon hibaáram-védőkapcsolót, ha az elektromos kéziszerszám nedves környezetben történő üzemeltetése nem kerülhető el.** A hibaáram-védőkapcsoló használata csökkenti az áramütés kockázatát.

### **Személyi biztonsági előírások**

- ▶ **Munka közben mindig figyeljen, ügyeljen arra, amit csinál, és meggondoltan dolgozzon az elektromos kéziszerszámmal. Ne használja az elektromos kéziszerszámot, ha fáradt, illetve ha kábítószert, alkoholt vagy gyógyszer hatása alatt áll.** Az elektromos kéziszerszámmal végzett munka közben már egy pillanatnyi figyelmetlenség is komoly sérülésekhez vezethet.
- ▶ **Viseljen személyi védőfelszerelést, és mindig viseljen védőszemüveget.** Az elektromos kéziszerszám alkalmazásának megfelelő személyi védőfelszerelések, úgymint porvédő álarc, csúszásbiztos védőcipő, védősapka és fülvédő használata csökkenti a személyi sérülések kockázatát.
- ▶ **Kerülje az elektromos kéziszerszám akaratlan üzembe helyezését. Mielőtt az elektromos kéziszerszámot az elektromos hálózatra és/vagy az akkumulátorra csatlakoztatja, vagy felveszi, ill. szállítja, győződjön meg arról, hogy a gép ki van kapcsolva.** Ha az elektromos kéziszerszám felemelése közben az újat a kapcsolón tartja, vagy ha a gépet bekapcsolt állapotban csatlakoztatja az áramforráshoz, az balesethez vezethet.
- ▶ **Az elektromos kéziszerszám bekapcsolása előtt feltétlenül távolítsa el a beállító szerszámokat vagy csavarkulcsokat.** Az elektromos kéziszerszám forgó részeiben felejtett beállító szerszám vagy csavarkulcs sérüléseket okozhat.
- ▶ **Kerülje el a normálistól eltérő testtartást. Ügyeljen arra, hogy mindig biztosan álljon és megtartsa az egyensúlyát.** Így az elektromos kéziszerszám felett váratlan helyzetekben is jobban tud uralkodni.
- ▶ **Viseljen megfelelő munkaruhát. Ne viseljen bő ruhát vagy ékszereket. Tartsa távol a haját, a ruháját és a kesztyűjét a mozgó részekről.** A bő ruhát, az ékszereket és a hosszú haját a mozgó alkatrészek magukkal rántathatják.
- ▶ **Ha az elektromos kéziszerszámra fel lehet szerelni a por elszívásához és összegyűjtéséhez szükséges berendezéseket, ellenőrizze, hogy azok megfelelő módon hozzá vannak kapcsolva a szerszámhoz, és rendeltetésüknek megfelelően működnek.** Porelszívó egység használata csökkenti a munka során keletkező por veszélyes hatását.
- ▶ **Ne ringassa magát hamis biztonságérzetbe, és ne hagyja figyelmen kívül az elektromos kéziszerszám biztonsági előírásait, akkor sem, ha az elektromos kéziszerszámot hosszú ideje használja, és ezáltal jól ismeri.** A figyelmetlen kezelés a másodperc tört része alatt súlyos sérülésekhez vezethet.

### **Az elektromos kéziszerszám használata és kezelése**

- ▶ **Ne terhelje túl a gépet. Munkájához csak az arra szolgáló elektromos kéziszerszámot használja.** A megfelelő elektromos kéziszerszámmal a megadott teljesítménytartományon belül jobban és biztonságosabban lehet dolgozni.
- ▶ **Ne használjon olyan elektromos kéziszerszámot, amelynek a kapcsolója elromlott.** Egy olyan elektromos kéziszerszám, amelyet nem lehet sem be-, sem kikapcsolni, veszélyes, és meg kell javíttatni.
- ▶ **A gép beállítása, a tartozékok cseréje vagy a gép lehelyezése előtt húzza ki a csatlakozódugót a csatlakozóaljzatból és/vagy vegye ki a kivehető akkut a gépből.** Ez az elővigyázatossági intézkedés meggátolja a gép szándékolatlan üzembe helyezését.
- ▶ **A használaton kívüli elektromos kéziszerszámokat olyan helyen tárolja, ahol azokhoz gyerekek nem férhetnek hozzá. Ne hagyja, hogy olyan személyek használják az elektromos kéziszerszámot, akik nem ismerik a szerszámot, vagy nem olvasták el ezt az útmutatót.** Az elektromos kéziszerszámok veszélyesek, ha azokat gyakorlatlan személyek használják.
- ▶ **Mindig gondosan tartsa karban az elektromos kéziszerszámot és a tartozékokat. Ellenőrizze, hogy a mozgó alkatrészek kifogástalanul működnek-e, nincsenek-e beszorulva, és nincsenek-e eltörve vagy megrongálódva olyan alkatrészek, amelyek hátrányosan befolyásolhatják az elektromos kéziszerszám működését. Használat előtt javíttassa meg a gép megrongálódott alkatrészeit.** Sok balesetnek a rosszul karbantartott elektromos kéziszerszám az oka.



- ▶ **Tartsa tisztán és élesen a vágószerszámokat.** Az éles vágóélekkel rendelkező és gondosan ápolott vágószerszámok ritkábban ékelődnek be, és azokat könnyebben lehet vezetni és irányítani.
- ▶ **Az elektromos kéziszerszámokat, tartozékokat, betétszerszámokat stb. a jelen utasítások figyelembevételével használja. Vegye figyelembe a munkafelvételeket és a kivitelezendő munka sajátosságait.** Az elektromos kéziszerszám eredeti rendeltetésétől eltérő célokra való alkalmazása veszélyes helyzetekhez vezethet.
- ▶ **A markolatot és fogófelületeket tartsa száraz, tiszta, olaj- és zsírmentes állapotban.** A csúszós markolatok és fogófelületek nem teszik lehetővé az elektromos kéziszerszám biztonságos üzemeltetését és ellenőrzését az előre nem látható helyzetekben.

#### **Akkumulátoros szerszám használata és kezelése**

- ▶ **Az akkumulátort csak a gyártó által ajánlott töltőberendezésben töltsse fel.** Ha egy bizonyos akkumulátortípus feltöltésére szolgáló töltőberendezésben egy másik akkumulátort próbál feltölteni, tűz keletkezhet.
- ▶ **Az elektromos kéziszerszámban csak az ahhoz tartozó akkumulátort használja.** Más akkumulátorok használatára személyi sérüléseket és tüzet okozhat.
- ▶ **Tartsa távol a használaton kívüli akkumulátort irodai kapcsoktól, pénzérméktől, kulcsoktól, szögektől, csavaroktól és más kisméretű fémtárgyaktól, amelyek áthidalhatják az érintkezőket.** Az akkumulátor érintkezői közötti rövidzárlat égési sérüléseket vagy tüzet okozhat.
- ▶ **Hibás alkalmazás esetén az akkumulátorból folyadék léphet ki. Kerülje el az érintkezést a folyadékkal. Ha véletlenül mégis érintkezésbe került az akkumulátorfolyadékkal, azonnal öblítse le vízzel az érintett felületet. Ha a folyadék a szemébe jutott, keressen fel egy orvost.** A kilépő akkumulátorfolyadék irritációkat vagy égéses bőrsérüléseket okozhat.
- ▶ **Ne használjon sérült vagy módosított akkut.** A sérült vagy módosított akkuk előre nem látható módon viselkedhetnek és tüzet, robbanást vagy sérülésveszélyt okozhatnak.
- ▶ **Az akkut ne tegye ki tűz és magas hőmérséklet hatásának.** A tűz és a 130 °C (265 °F) feletti hőmérséklet robbanást okozhat.
- ▶ **Kövesse a töltésre vonatkozó összes utasítást, és az akkut vagy akkus szerszámot soha ne töltsse a használati utasításban megadott hőmérséklet-tartományon kívül.** A nem megfelelő vagy a megengedett hőmérséklet-tartományon kívül történő töltés az akku meghibásodásához és tűzveszélyhez vezethet.

#### **Szerviz**

- ▶ **Az elektromos kéziszerszámot csak szakképzett személyzet javíthatja, kizárólag eredeti pótalkatrészek felhasználásával.** Ez biztosítja, hogy az elektromos kéziszerszám biztonságos maradjon.
- ▶ **Soha ne javítsa a sérült akkut.** Az akkuk javítását csak a gyártó által felhatalmazott ügyfélszolgálatok végezhetik.

## **2.2 Biztonsági tudnivalók minden fűrészhöz**

### **Fürészelési eljárás**

- ▶ **⚠ VESZÉLY: A keze ne kerüljön a fűrész és a fűrészlap közelébe. A másik kezével fogja meg a kiegészítő fogantyút vagy a motorházat.** Ha mindkét kezével a körfűrész fogja, akkor a fűrészlap nem sértheti meg a kezeit.
- ▶ **Ne nyúljon a munkadarab alá.** A munkadarab alatt a védőfedél nem véd a fűrészlaptól.
- ▶ **Igazítsa hozzá a vágásmélységet a munkadarab vastagságához.** A munkadarab alatt kisebb rész maradjon, mint amennyi egy teljes fűrészfog magassága.
- ▶ **A fűrészrendelő munkadarabot soha ne tartsa a kezében, illetve ne helyezze a lábára / térdére. Rögzítse a munkadarabot stabil tartóra.** Fontos a munkadarab megfelelő rögzítése, ugyanis ezzel csökkenthető annak a veszélye, hogy a gép hozzáérjen a testéhez, a fűrészlap beszoruljon, vagy a kezelő elveszíti az uralmát a gép fölött.
- ▶ **A gépet mindig csak a fogantyú szigetelt felületénél fogja meg, ha olyan munkát végez, amelynek során fennáll a veszély, hogy a betétszerszám rejtett elektromos vezetőket találhat el.** Ha a gép elektromos feszültséget vezető vezetékhez ér, akkor a gép fémrészei feszültség alá kerülnek, ami elektromos áramütéshez vezet.
- ▶ **Hosszanti vágás során használjon mindig ütközőt vagy egyenes élvezetőt.** Ez javítja a vágás pontosságát, és csökkenti a fűrészlap beragadásának lehetőségét.
- ▶ **Mindig megfelelő méretű és megfelelő (pl. csillag formájú vagy kör alakú) befogó furattal rendelkező fűrészlapot használjon.** Azok a fűrészlapok, amelyek nem illeszkednek a fűrész részegységeihez, egyenetlenül futnak, és a gép fölötti uralom elvesztését okozzák.



- ▶ **Soha ne használjon sérült vagy rossz fűrészlap-alátétlemezt, illetve -csavart.** A fűrészlap-alátétlemezek és -csavarok kifejezetten ehhez a fűrészhez készültek az ideális teljesítmény és üzembiztonság elérése érdekében.

#### Visszacsapódás - okok és a megfelelő figyelmeztetések

- A gép visszacsapódása egy beakadó, beszoruló vagy rosszul beállított fűrészlap következtében fellépő hirtelen reakció, aminek az a következménye, hogy az elszabadult fűrész megemelkedik, kiugrik a munkadarabból és a gépkezelő irányába csapódik;
- ha a fűrészlap megakad vagy beszorul az automatikusan záródó fűrésznyílásban, akkor a lap blokkolódik, és a motorerő visszacsapja a fűrész a gépkezelő irányába;
- ha a fűrészlap elfordul a vágatban vagy rosszul van beállítva, akkor a fűrészlap hátsó szélén lévő fűrészfogak beakadnak a munkadarab felületébe, ezáltal a fűrészlap kiugrik a fűrésznyílásból és a fűrész visszacsapódik a gépkezelő irányába.

A visszacsapódás a fűrész helytelen vagy hibás használatának következménye. Megfelelő óvintézkedésekkel, amelyekről a későbbiekben olvashat, a gép visszacsapódása megakadályozható.

- ▶ **Két kézzel fogja a fűrész, és tartsa a karját úgy, hogy ellen tudjon tartani a visszacsapódásból eredő erőknél.** Mindig oldalra tartsa a fűrészlapot, soha ne hozza a fűrészlapot egy vonalra a testével. Visszacsapódás közben a körfűrész hátracsapódhat, azonban a gép kezelője uralhatja a visszacsapódásból eredő erőt, ha megtette az ehhez szükséges óvintézkedéseket.
- ▶ **Ha a fűrész tárcsa beszorul, vagy Ön megszakítja a munkát, akkor kapcsolja ki a gépet, és tartsa nyugodtan a munkadarabban addig, amíg a fűrész tárcsa leáll.** Soha ne próbálja meg kivenni a fűrész a munkadarabból, vagy hátrafelé húzni a fűrész addig, míg a fűrészlap mozog, egyébként a gép visszacsapódhat. Állapítsa meg és szüntesse meg a fűrészlap beszorulásának okát.
- ▶ **Ha újra el akarja indítani a munkadarabra beszorult fűrész, akkor központozza a fűrésznyílásban a fűrészlapot, és ellenőrizze, nem akadtak-e meg a fűrészfogak a munkadarabban.** Ha a fűrészlap beszorult, akkor az újraindítás során kiugorhat a munkadarabból, vagy visszacsapódást okozhat.
- ▶ **A nagyobb lemezeket támassza alá, hogy csökkenthető legyen a beszorult fűrészlap visszacsapódásának kockázata.** A nagyobb lemezek meghajolhatnak a saját súlyuk alatt. A lemezeket mindkét oldalon alá kell támasztani, mind a fűrésznyílás közelében, mind az élnél.
- ▶ **Soha ne használjon tompa vagy sérült fűrészlapot.** Tompa vagy rosszul beállított fogazattal rendelkező fűrészlapok a szűkebb fűrészelési nyílás következtében nagyobb súrlódást hozhatnak létre és a fűrészlap beszorulását okozhatják, illetve visszacsapódhatnak.
- ▶ **A fűrészelés előtt húzza meg a vágásmélység- és a metszésszög-beállítás.** Ha fűrészelés közben megváltoznak a beállítások, akkor a fűrészlap beszorulhat és visszacsapódhat.
- ▶ **Legyen különösen óvatos, ha meglévő falakon vagy egyéb más, be nem látható területen végez fűrészelést.** Fűrészelés közben a bemerülő fűrészlap rejtett objektumokba akadhat és visszacsapódást okozhat.

### 2.3 Kiegészítő biztonsági tudnivalók

#### Személyi biztonsági előírások

- ▶ A gép átalakítása tilos.
- ▶ A gépet mindig két kézzel fogja az erre szolgáló markolatoknál. A markolatokat tartsa száraz, tiszta, olaj- és zsírintes állapotban.
- ▶ Viseljen fülvédőt. A zaj halláskárosodáshoz vezethet.
- ▶ Amikor a gépet porelszívó egység nélkül használja, akkor légzőmaszkot kell viselni olyan esetekben, ha a munka port okoz.
- ▶ A gépet csak a hozzá tartozó védőberendezésekkel együtt használja.
- ▶ Tartson munkaszüneteket és végezzen lazító- és újgyakorlatokat, ujjainak jobb vérellátása érdekében.
- ▶ Gyenge személy ne használja a gépet betanítás nélkül.
- ▶ A gépet tartsa távol a gyermekektől.
- ▶ A terméket csak a munkaterületen kapcsolja be.
- ▶ A gép szállítása vagy tárolása közben vegye ki a gépből az akkut.
- ▶ Ne használja a terméket fej fölötti munkavégzésre.
- ▶ Ne fékezze le a terméket a fűrészlap oldalirányú ellennyomásával.
- ▶ A vágás útjának akadálymentesnek kell lennie. A géppel ne fűrészeljen csavarokat, szögeket stb.
- ▶ A gép működése közben ne nyúljon a szorítókarimához és a szorítócsavarhoz.
- ▶ Soha ne nyomja meg az orsórögztetés nyomógombját, ha a fűrészlap forog.
- ▶ Ne irányítsa a gépet személyekre.



- ▶ **Igazítsa az előretoló erőt a fűrészlaphoz és a megmunkálandó anyaghoz úgy, hogy a fűrészlap ne blokkolódjon és adott esetben ne okozzon visszacsapódást.**
- ▶ **Kerülje a fűrészfogak csúcsainak túlhevülését.**
- ▶ **Műanyag fűrészelésekor kerülni kell a műanyag megolvadását.**
- ▶ Ólomtartalmú festékek, ásványok és a fém, néhány fajtája, beton / téglafalazat / kvarctartalmú kövezet, valamint ásványok és fémek pora káros lehet az egészségre. Ezen porok belélegzése vagy érintése a gép kezelőjénél vagy a közelében tartózkodóknál allergiás reakciót válthat ki, és/vagy légzési nehézséget okozhat. Bizonyos porok, mint például a tölglyfa vagy a bükkfa pora rákkeltő, különösen ha fakezelési adalékanyagokkal (kromát, favedő anyagok) együtt használják azokat. Az azbeszttartalmú anyagokat csak szakemberek munkálhatják meg. **Lehetőleg használjon porelszívó egységet. A magas fokú porelszívás elérése érdekében használjon megfelelő mobil portalaníót. Szükség esetén használjon az adott por fajtája elleni védelemhez megfelelő légzésvédő maszkot. Biztosítsa a munkahely jó szellőzését. Tartsa be a megmunkálandó anyagra vonatkozó hatályos nemzeti előírásokat.**
- ▶ **A munka megkezdése előtt tisztázza a munka során keletkező por veszélyességi besorolását. Használjon hivatalosan engedélyezett védelmi osztályú ipari porszívót, amely megfelel a helyi porvédelmi előírásoknak.**
- ▶ **Tartsa be az Ön országában érvényes nemzeti munkavédelmi követelményeket.**

#### **Elektromos biztonsági előírások**

- ▶ **Ellenőrizze a munka megkezdése előtt, pl. fémkeresővel, a munkaterületet, hogy nincsenek-e takart, fekvő elektromos vezetékek, gáz- és vízcsövek.** A külső fémrészek feszültség alá kerülhetnek, amikor például egy feszültség alatt lévő kábel véletlenül megsérül. Ez igen komoly veszélyt jelent az áramütés veszélye miatt.

#### **Akkumulátoros gépek gondos használata és kezelése**

- ▶ **Vegye figyelembe a Li-ion akkumulátorok szállítására, tárolására és üzemeltetésére vonatkozó különleges irányelveket.**
- ▶ **Tartsa távol az akkut a magas hőmérséklettől és a tűztől.** Robbanásveszély.
- ▶ **Az akkut tilos szétszedni, összepréselni, 80 °C (176 °F) fölé hevíteni vagy elégetni.** Ellenkező esetben tűz-, robbanás- és sérülésveszély áll fenn.
- ▶ **Sérült (repedt, eltört) alkatrészeket tartalmazó, elhajlott, visszatolt és/vagy kihúzott érintkezős) akkumulátorokat tilos tölteni vagy tovább használni.**
- ▶ **Az akkut ne használja más, nem specifikált berendezés energiaforrásaként.**
- ▶ Ha érintésre túl forró az akku, akkor lehet, hogy meghibásodott. **Állítsa a gépet egy nem gyúlékony helyre, éghető anyagoktól elegendő távolságba, ahol megfigyelhető az akku, és hagyja azt lehűlni. Lépjen kapcsolatba a Hilti Szervizzel, miután az akku lehűlt.**

#### **2.4 Kiegészítő biztonsági tudnivalók körfűrészekhez**

- ▶ A kézi körfűrész csak bekapcsolt állapotban vezesse a munkadarabhoz.
  - ▶ Felül és alul a vágás útjának akadálymentesnek kell lennie. A géppel ne fűrészeljen csavarokat, szögeket stb.
- ▶ A kézi körfűrész soha ne dolgozzon fej fölött.
- ▶ Soha ne fékezze le a fűrészlapot annak oldalirányú megnyomásával.
- ▶ Kerülje a fűrészfogak csúcsainak túlhevülését.
- ▶ A vágandó aljzathoz mindig a hozzá tartozó fűrészlapot használja.
- ▶ Kizárólag a Hilti által ajánlott fűrészlapokat használjon, amelyek megfelelnek az EN 847-1 szabvány előírásainak.

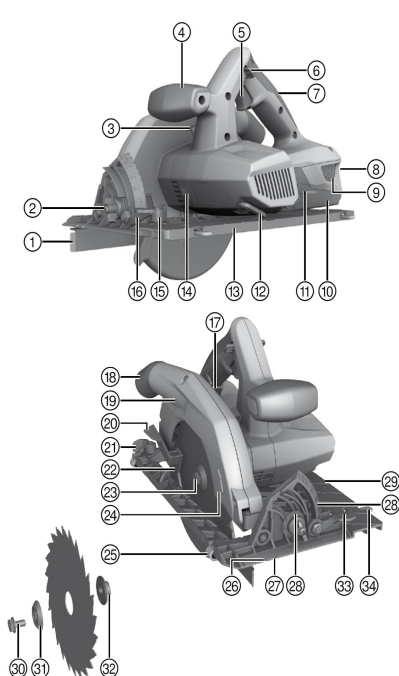
#### **2.5 Akkumulátoros gépek gondos használata és kezelése**

- ▶ **Vegye figyelembe a Li-ion akkumulátorok szállítására, tárolására és üzemeltetésére vonatkozó különleges irányelveket.**
- ▶ **Tartsa távol az akkut a magas hőmérséklettől és a tűztől.**
- ▶ **Az akkut tilos szétszedni, összepréselni, 80 °C (176 °F) fölé hevíteni vagy elégetni.**
- ▶ **Ne használjon vagy töltsön olyan akkut, amelyet ütés ért, egy méternél magasabbról leeset, vagy más módon sérült.** Ilyen esetben feltétlenül forduljon a **Hilti Szervizhez**.
- ▶ Ha érintésre túl forró az akku, akkor lehet, hogy meghibásodott. **Állítsa az akkut egy látható, nem gyúlékony helyre, éghető anyagoktól elegendő távolságra. Hagyja lehűlni az akkut. Amennyiben egy óra elteltével még mindig túl forró az akku érintésre, akkor meghibásodott. Lépjen kapcsolatba a Hilti Szervizzel.**



### 3 Leírás

#### 3.1 Termékáttekintés



- ① Egykaros párhuzamos ütköző
- ② Vágószög előzetes beállítása (22,5°, 45°, 50°)
- ③ Orsrőgztítő gomb
- ④ Pótfogantyú
- ⑤ Be-/kikapcsoló gomb
- ⑥ Bekapcsolásgátló
- ⑦ Markolat
- ⑧ Töltésállapot-kijelző és hibajelző (Li-ion akku)
- ⑨ Kioldógomb a töltésállapot-kijelzőt aktiváló kiegészítő funkcióval
- ⑩ Akku
- ⑪ Szorítókar a vágásmélység beállításához
- ⑫ Imbuszkulcs
- ⑬ Kis alaplemez
- ⑭ LED világítás
- ⑮ Elülső párhuzamos ütköző szorítókarja
- ⑯ Szorítókar a vágószög beállításához
- ⑰ Vágásmélység-skála
- ⑱ Csatlakozócsonk (forgácscsatorna)
- ⑲ Védőburkolat
- ⑳ Lengő védőfedél kezelőkarja
- ㉑ Hátsó párhuzamos ütköző szorítókarja (csak nagy alaplemez esetén)
- ㉒ Lengő védőfedél
- ㉓ Hajtóorsó
- ㉔ Forgásirányt mutató nyíl
- ㉕ Kétkaros párhuzamos ütköző
- ㉖ Vágásjelölés 0°
- ㉗ Vágásjelölés 45°
- ㉘ Szögmutató skála
- ㉙ Nagy alaplemez
- ㉚ Szorítócsavar
- ㉛ Szorítókarima
- ㉜ Tokmánykarima
- ㉝ Horonyjelölés 0° alaplemez
- ㉞ Horonyjelölés 1–50° alaplemez

#### 3.2 Vezetésin-adapter

- |                     |                        |
|---------------------|------------------------|
| ③⑤ Tartóborda hátul | ③⑦ Horonyjelölés 0°    |
| ③⑥ Tartóborda elől  | ③⑧ Horonyjelölés 1–50° |

#### 3.3 Rendeltetésszerű használat

Az ismertetett termék egy akkus körfűrész. A fűrész fa vagy fához hasonló anyagok, műanyagok, gipszkartonok, gipszkartonlapok és többenemű anyagok vágási munkálataira használható.

A kézi körfűrész a porszivó, ill. portalanító csatlakoztatására levehető csatlakozócsonkkal rendelkezik, amely az általánosan elterjedt porszivótömlőkhöz illeszkedik. A porszivó tömlő fűrészhez való csatlakoztatásához szükség lehet egy megfelelő adapterre.

- ▶ Tilos olyan fűrészlapokat használni, amelyek nem felelnek meg a megadott jellemzőknek (pl. átmérő, fordulatszám, vastagság), továbbá tilos daraboló- és csiszolóátácsákat, valamint erősen ötvöztött gyorfacélból (HSS-acél) készült fűrészlapokat használni. A géppel tilos fémeket fűrészeln.
- ▶ Ne használja a terméket ágak és fatörzsek fűrészelésére.



- ▶ Ehhez a termékhez kizárólag **Hilti B 22** típusorozatú Li-ion akkumulátorokat használjon.
- ▶ Ehhez az akkuhoz kizárólag a C4/36 sorozatba tartozó **Hilti** töltőkészüléket használjon.

### 3.4 A Li-ion akku kijelzője

A Li-ion akku töltési állapotát és a gépen jelentkező hibákat a Li-ion akku kijelzője jelzi ki. A Li-ion töltöttségének állapota a két akkumulátor-kireteszelő gomb egyikének megkoppintásakor megjelenik a kijelzőn.

Állapot	Jelentés
4 LED világít.	Töltöttségi állapot: 75% és 100% között
3 LED világít.	Töltöttségi állapot: 50% és 75% között
2 LED világít.	Töltöttségi állapot: 25% és 50% között
1 LED világít.	Töltöttségi állapot: 10% és 25% között
1 LED villog, a gép üzemkész.	Töltöttségi állapot: < 10%
1 LED villog, a gép nem üzemkész.	Az akku túlmelegedett vagy teljesen lemerült.
4 LED villog, a gép nem üzemkész.	A gép túlterhelt vagy túlhevült.

**i** Működtetett indítókapcsoló esetén és az indítókapcsoló elengedése után 5 másodperccel a töltöttségi állapot kijelzése nem lehetséges.

Az akkumulátor töltési állapotát kijelző LED-ek villogása esetén vegye figyelembe a Hibakeresés című fejezetben leírt tudnivalókat.

### 3.5 Párhuzamos ütköző

Az egykarú párhuzamos ütköző pontos vágásokat tesz lehetővé a munkadarab élei mentén, ill. segítségével azonos méretű léceket lehet kivágni.

A párhuzamos ütközőt az alaplemez mindkét oldalára fel lehet szerelni.

### 3.6 Szállítási terjedelem

Körfűrész, fűrészlap, imbuszkulcs, csatlakozócsonk poredszívóhoz, használati utasítás (opcionálisan: vezetősín-adapter).

**i** Az általunk engedélyezett pótalkatrészeket, fogyóanyagokat és tartozékokat termékéhez megtalálja a **Hilti Store** helyeken vagy az alábbi címen: [www.hilti.group](http://www.hilti.group).

### 3.7 Tartozékok és kiegészítők

Szorítókarima, tokmánykarima, szorítócsavar.

## 4 Műszaki adatok

### 4.1 Körfűrész

	SC 70W-A22
Névleges feszültség	21,6 V
A 01 EPTA-eljárásnak megfelelő tömeg	4,8 kg
Előírt fűrészlapátmérő	190 mm
Alaplemez vastagsága	0,7 mm ... 1,5 mm
Vágásszélesség	1,5 mm ... 2 mm
Fűrészlap-befogófurat	30 mm
Névleges üresjárat fordulatszám	3 500 ford./perc
Maximális vágásmélység 0°	70 mm
Maximális vágásmélység 45°	51 mm
Maximális vágásmélység 50°	45 mm
Gérvágás szöge	0° ... 50°



	<b>SC 70W-A22</b>
<b>Üzemi hőmérséklet</b>	-10 °C ... 50 °C
<b>Tárolási hőmérséklet (akku nélkül)</b>	-30 °C ... 70 °C

#### 4.2 Akku

<b>Akku üzemi feszültsége</b>	21,6 V
<b>Környezeti hőmérséklet működés közben</b>	-17 °C ... 60 °C
<b>Tárolási hőmérséklet</b>	-20 °C ... 40 °C
<b>Akkuhőmérséklet a töltés kezdetekor</b>	-10 °C ... 45 °C

#### 4.3 A zajinformációk és rezgési értékek megállapítása az EN 62841 szerint történt

A jelen útmutatókban megadott hangnyomás- és rezgésértékeket egy szabványosított mérési eljárás keretében mértük meg, és alkalmasak elektromos kéziszerszámok egymással történő összehasonlítására. Az értékek emellett alkalmasak az expozíció előzetes megbecsülésére. A megadott adatok az elektromos szerszám fő alkalmazási területeire vonatkoznak. Ha az elektromos kéziszerszámot más célra, eltérő betétszerszámokkal használják, vagy nem megfelelően tartják karban, akkor az adatok eltérőek lehetnek. Ez jelentősen megnövelheti az expozíciókat a munkaidő teljes időtartama alatt. Az expozíció pontos megbecsüléséhez azokat az időszakokat is figyelembe kell venni, amikor a gépet lekapcsolták, vagy a gép ugyan működik, de ténylegesen nincs használatban. Ez jelentősen csökkentheti az expozíciókat a munkaidő teljes időtartama alatt. Hozzon kiegészítő intézkedéseket a kezelő védelme érdekében a hang és/vagy a rezgés hatásai ellen, mint például: az elektromos kéziszerszámok és betétszerszámok karbantartása, a gépkezelő kezének melegen tartása, a munkafolyamatok megszervezése.

**A zajkibocsátási értékek az EN 62841 szabványnak megfelelően lettek kiszámítva**

	<b>SC 70W-A22</b>
<b>Hangteljesítményszint (<math>L_{WA}</math>)</b>	103 dB(A)
<b>Hangteljesítményszint bizonytalanság (<math>K_{WA}</math>)</b>	3 dB(A)
<b>Hangnyomásszint (<math>L_{pA}</math>)</b>	92 dB(A)
<b>Hangnyomásszint bizonytalanság (<math>K_{pA}</math>)</b>	3 dB(A)

**Rezgési összértékek (a három irány vektoriális összege) az EN 62841 irányelv alapján meghatározva**

	<b>SC 70W-A22</b>
<b>Rezgési kibocsátási érték fa fűrészelése során (<math>A_{h, w}</math>)</b>	0,93 m/s <sup>2</sup>
<b>Bizonytalanság (K)</b>	1,5 m/s <sup>2</sup>

## 5 Üzemeltetés

### 5.1 A munkahely előkészítése

#### 5.1.1 Az akku töltése

1. A töltés előtt olvassa el a töltőkészülék használati utasítását.
2. Ügyeljen arra, hogy az akku és a töltőkészülék érintkezői tiszták és szárazak.
3. Az akkut a megengedett töltőberendezésben töltsse fel. 111

#### 5.1.2 Az akku behelyezése

#### FIGYELMEZTETÉS

**Sérülésveszély rövidzárlat vagy leeső akku miatt!**

- ▶ Az akku behelyezése előtt győződjön meg arról, hogy az akkuhoz és a termék érintkezőihez nem ér hozzá idegen tárgy.
- ▶ Győződjön meg arról, hogy az akku mindig megfelelően rögzül.

1. Az első üzembe helyezés előtt töltsse fel teljesen az akkut.
2. Tolja be az akkut a termékbe, amíg az hallhatóan be nem kattann.
3. Ellenőrizze az akku biztos illeszkedését.



### 5.1.3 Az akku eltávolítása

1. Nyomja meg az akku kioldógombjait.
2. Húzza ki az akkut a gépből.

### 5.1.4 Fűrészlap leszerelése 3



#### FIGYELMEZTETÉS

**Égési és vágási sérülés veszélye a vágólapon, a szorítócsavaron és a szorítókarimán** Égési és vágási sérülések lehetnek a következményei.

- ▶ Használjon védőkesztyűt, amikor a szerszámot cseréli.

1. Vegye ki az akkut.
2. Helyezze az imbuszkulcsot a fűrészlap szorítócsavarjához.
3. Nyomja meg az orsórögztítő gombot és tartsa lenyomva.
4. Az imbuszkulcs segítségével fordítsa el a fűrészlap szorítócsavarját, míg az orsórögztítő gomb teljesen be nem reteszel.
5. Oldja a szorítócsavart az imbuszkulccsal a forgásirányt jelző nyílall egyező irányba forgatva.
6. Vegye le a szorítócsavart és a külső szorítókarimát.
7. Elfordítással nyissa ki a lengő védőfedelelet és távolítsa el a fűrészlapot.



Szükség esetén a tokmánykarima levehető a tisztításnál.

### 5.1.5 A fűrészlap felszerelése 4



#### VIGYÁZAT

**Sérülésveszély!** A nem megfelelő vagy rosszul behelyezett fűrészlapok a fűrész sérülését okozhatják.

- ▶ Csak ehhez a fűrészhez alkalmas fűrészlapokat használjon. Ügyeljen a fűrészlap forgásirányára, amit a nyílak mutatnak.
- ▶ Csak olyan fűrészlapot használjon, amelynek a megengedett fordulatszáma legalább akkora, mint a terméken megadott maximális fordulatszám.



**Győződjön meg arról, hogy a felfogandó fűrészlap megfelel-e a műszaki követelményeknek és hogy elég éles-e.** A kifogástalan vágás előfeltétele az éles fűrészlap.

1. Vegye ki az akkut.
2. Tisztítsa meg a tokmány- és a szorítókarimát.
3. Helyezze fel helyes irányban a tokmánykarimát a hajtóorsóra.
4. Nyissa ki a lengő védőfedelelet.
5. Helyezze be az új fűrészlapot.
6. Helyezze fel helyes irányban a külső szorítókarimát.
7. Helyezze be a szorítócsavart.
8. Helyezze az imbuszkulcsot a fűrészlap szorítócsavarjához.
9. Nyomja be az orsórögztítő gombot.
10. Rögzítse a szorítókarimát a szorítócsavarral, miközben az imbuszkulcsot a forgásirányt jelző nyílakkal ellentétes irányba forgatja.
  - ▶ Az orsórögztítő gomb kattánással rögzül.
11. Üzembe helyezés előtt ellenőrizze, hogy a fűrészlap megfelelően illeszkedik-e.

### 5.1.6 Vágásmélység beállítása 5

1. Vegye ki az akkut.
2. Lazítsa meg a vágásmélység-beállító szorítókarját.
3. Emelje meg a terméket, és a szorítókar meghúzásával állítsa be a vágásmélységet.



A beállított vágásmélység legyen mindig kb. 5–10 mm-rel nagyobb a fűrészzendő anyag vastagságánál.

A beállított mélység a védőfedél hátoldalán elhelyezett jelzésen/kiemelésen olvasható le.





### 5.1.7 Vágószög beállítása

1. Vegye ki az akkut.
2. Lazítsa meg a vágósszög-beállító szorítókarját.
3. Fordítsa a terméket a kívánt pozícióba.



A vágószög előzetes beállítása lehetővé teszi a maximális szög (22,5°/45°/50°) egyszerű beállítását.

4. Húzza meg a vágásszög-beállító szorítókarját.

### 5.1.8 Fűrészelés előrajzolt minta mentén



A körfűrész elülső alaplemeznél az egyenes és a ferde vágásokhoz is egy előrajzolat-mutató található (0° és 45°). Ennek segítségével a kiválasztott vágási szögben végezhető el a precíz vágás. Az előrajzolat széle a fűrészlap belső oldalának felel meg. A fűrészlap elülső kivágásánál egy előrajzolat-mutató található.



Biztosítsa a munkadarabot elcsúszás ellen.

Helyezze el úgy a munkadarabot, hogy a fűrészlap szabadon mozogjon a munkadarab alatt.

Győződjön meg arról, hogy a termék be-/kikapcsoló gombja a KI állásban van.

Helyezze a terméket az alaplemezzel együtt úgy a munkadarabra, hogy a fűrészlap még ne érjen hozzá a munkadarabhoz.

1. Helyezze be az akkut.
2. A bekapcsolásgátló megnyomásával és a be-/kikapcsoló gomb nyomva tartása mellett kapcsolja be a terméket.
3. Megfelelő tempóban vezesse át a terméket a munkadarabon az előrajzolt minta mentén.

### 5.1.9 Párhuzamos ütköző felszerelése/beállítása

1. Vegye ki az akkut.
2. Csak annyira csavarja be a rögzítőcsavart az alaplemezbe, hogy elegendő hely maradjon a párhuzamos ütköző áttolásához.
3. Tolja a párhuzamos ütköző szánját a rögzítőcsavar alá.
4. Állítsa be a megkívánt vágásszélességet.
5. Húzza meg a rögzítőcsavart.



Az (egy- vagy kétkaros) párhuzamos ütközőt az alaplemez mindkét oldalára fel lehet szerelni. A kétkaros párhuzamos ütköző csak nagy alaplemez esetén alkalmazható.

A párhuzamos ütköző pontos vágásokat tesz lehetővé a munkadarab élei mentén, ill. segítségével azonos méretű léceket lehet kivágni.

### 5.1.10 A vezetősín-adapter felszerelése



A fűrész tartozékként kapható vezetősín-adapterrel szerelhető fel.

Kis alaplemezzel rendelkező fűrészeknél használjon vezetősín-adaptert, amely illeszkedik a vezetősín-hez.

1. Vegye ki az akkut.
2. Távolítsa el az esetleg felszerelt párhuzamos ütközőt.
3. Vezesse be az alaplemezt a vezetősín-adapter oldalsó tartóbordájába.
4. Helyezze be teljesen az alaplemezt a vezetősín-adapterbe.
5. Mindkét reteszt ütközésig benyomva reteszelve a vezetősín-adaptert.

## 5.2 Munka

### 5.2.1 Bekapcsolás

- ▶ A bekapcsolásgátló megnyomásával és a be-/kikapcsoló gomb nyomva tartása mellett kapcsolja be a terméket.



## 5.2.2 Kikapcsolás

- ▶ Tartsa meg a gépet a be-/kikapcsoló gomb elérésztésével.

## 5.2.3 0°-os hosszanti vágások **10**

1. Helyezze a fűrész a „0°” horonyjelöléssel a vezetősín bordájára.
2. A bekapcsolásgátló megnyomásával és a be-/kikapcsoló gomb nyomva tartása mellett kapcsolja be a terméket.
3. Megfelelő tempóban vezesse át a terméket a munkadarabon a sín mentén.

## 5.2.4 Max. 50°-os vágószöggel végzett hosszanti vágások **11**

1. Állítsa be a szöget.

### FIGYELMEZTETÉS

**Ütközésveszély ferde vágásoknál!** A fűrészlap ütközései a vezetősínnel.

- ▶ Helyezze a fűrész a megfelelő horonnyal a vezetősín bordájára. Különben a fűrészlap a vezetősínnel ütközhet.
- 
2. Helyezze a fűrész az „1–50°” horonyjelöléssel a vezetősín bordájára.
  3. A bekapcsolásgátló megnyomásával és a be-/kikapcsoló gomb nyomva tartása mellett kapcsolja be a terméket.
  4. Megfelelő tempóban vezesse át a terméket a munkadarabon a sín mentén.

## 5.2.5 Lapos vágószögek létrehozása **12**

1. Helyezze a vezetősínt a nullaponttal a munkadarab élére, és fordítsa el annyira a sínt, hogy a kívánt vágószög a szögmutató skálán szembekerüljön a nullaponttal. A kijelzőn látható vágószög azt a szöget adja meg, amellyel a vágás eltér ez egyenes derékszögű vágástól.
2. Rögzítse a vezetősínt a két pillanatszorítóval.
3. Helyezze a fűrész a „0°” horonyjelöléssel a vezetősín bordájára.
4. A bekapcsolásgátló megnyomásával és a be-/kikapcsoló gomb nyomva tartása mellett kapcsolja be a terméket.
5. Megfelelő tempóban vezesse át a terméket a munkadarabon a sín mentén.

## 5.2.6 Fűrész forgácselszívó nélkül

1. Ügyeljen a forgács szabad kidobására.
2. Szükség esetén a csatlakozócsomok levehető a védőburkolatról, ha a terméken található imbuszkulccsal meglazítja az imbuszcsavart.

## 6 Ápolás és karbantartás

### FIGYELMEZTETÉS

**Sérülésveszély behelyezett akku esetén !**

- ▶ Minden ápolási és karbantartási munka előtt vegye ki az akkut!

### A termék ápolása

- Óvatosan távolítsa el a makacs szennyeződést.
- Ha van, óvatosan tisztítsa meg a szellőzőnyílásokat száraz, puha kefével.
- Csak nedves törülköendővel tisztítsa a burkolatot. Ne használjon szilikontartalmú ápolószert, mivel az károsíthatja a műanyag alkatrészeket.
- A termék érintkezőinek tisztításához tiszta, száraz törülköendőt használjon.

### A Li-ion akkuk ápolása

- Soha ne használja az akkut eltömődött szellőzőnyílásokkal. Óvatosan tisztítsa meg a szellőzőnyílásokat száraz, puha kefével.
- Ne tegye ki az akkut szükségtelenül por és szennyeződés hatásának. Soha ne tegye ki az akkut nagy mennyiségű nedvességnek (pl. ne merítse vízbe és ne hagyja az esőn).  
Ha egy akku átmedvedett, akkor azt sérült akkuként kezelje. Különtse el egy nem gyúlékony tartóba, és forduljon a **Hilti** Szervizhez.



- Az akkut tartsa távol idegen olajtól és zsírtól. Ne hagyja, hogy az akkun felesleges por és szennyeződés gyűljön össze. Tisztítsa meg az akkut száraz, puha kefével vagy száraz, tiszta törlőkendővel. Ne használjon szilikontartalmú ápolószert, mivel az károsíthatja a műanyag alkatrészeket. Ne érjen hozzá az akkuk érintkezőihez, és ne távolítsa el az érintkezőkről a gyárilag felvitt zsírt.
- Csak nedves törlőkendővel tisztítsa a burkolatot. Ne használjon szilikontartalmú ápolószert, mivel az károsíthatja a műanyag alkatrészeket.

## Karbantartás

### FIGYELMEZTETÉS

**Áramütés veszélye!** Az elektromos alkatrészek nem szakszerű javítása súlyos sérülésekhez és égési sérülésekhez vezethet.

► A gép elektromos részeit csak szakképzett villamossági szakember javíthatja.

- Rendszeresen ellenőrizze a látható részeket sérülés, illetve a kezelőelemeket kifogástalan működés szempontjából.
- Sérülések és/vagy funkciózavar esetén ne működtesse a terméket. Haladéktalanul javíttassa meg a terméket egy **Hilti** Szervizben.
- Ápolási és karbantartási munkák után állítson vissza minden védőfelszerelést, és ellenőrizze azok kifogástalan működését.



A biztonságos üzemelés érdekében csak eredeti pótalkatrészeket, fogyóanyagokat és tartozékokat használjon. A **Hilti** által engedélyezett pótalkatrészeket, fogyóanyagokat és tartozékokat termékéhez megtalálja a **Hilti Store** helyeken vagy az alábbi címen: [www.hilti.group](http://www.hilti.group)

## 6.1 A védőberendezés tisztítása

1. Távolítsa el a fűrészlapot a védőberendezés megtisztításához.
2. Tisztítsa meg óvatosan a védőberendezést egy száraz kefével.
3. Távolítsa el a védőberendezés belsejéből a lerakódást és a forgácsot egy megfelelő szerszámmal.
4. Szerelje fel a fűrészlapot.

## 6.2 Munkalépések eltömődött forgácscsatorna esetén

1. Vegye ki az akkut.
2. Tisztítsa meg a forgácscsatornát.



Adott esetben szét kell szerelni a fűrészlapot. 114

3. Ellenőrizze, hogy a mozgó alkatrészek kifogástalanul működnek-e, nincsenek-e beszorulva, és nincsenek-e eltörve vagy megrongálódva olyan alkatrészek, amelyek hatással lehetnek a termék működésére.

## 6.3 A gép ellenőrzése az ápolás és karbantartás után



Minden ápolási és karbantartási eljárás után ellenőrizze, hogy minden védőfelszerelés a helyén van-e, és maga a gép hibátlanul működik-e.

- A lengő védőfedél ellenőrzéséhez nyissa ki azt teljesen a kezelőkar segítségével.
  - A kezelőkar elengedését követően a lengő védőfedélnek gyorsan és teljesen be kell záródnia.

## 7 Szállítás és tárolás

### Az akkumulátoros kéziszerszámok és az akkumulátorok szállítása

#### VIGYÁZAT

**Nem szándékos indítás szállításkor!**

- A terméket mindig behelyezett akku nélkül szállítsa.
- Vegye ki az akkukat.
- Az akkukat soha ne szállítsa ömlesztve. A szállítás során az akkukat a túl nagy ütődéstől és rezgéstől védeni kell, minden vezetőképes anyagtól és a többi akkumulátortól el kell választani, hogy



más akkumulátorpólussal ne kerülhessenek érintkezésbe, és ne okozhassanak rövidzárlatot. **Vegye figyelembe az akkukra vonatkozó helyi szállítási előírásokat.**

- ▶ Az akkukat tilos postával küldeni. Forduljon szállítványozóhoz, ha sértetlen akkukat szeretne küldeni.
- ▶ Minden használat előtt, illetve hosszabb szállítás előtt és után ellenőrizze az akkumulátor és a termék sértetlenségét.

### Az akkumulátoros kéziszerszámok és az akkumulátorok tárolása

#### FIGYELMEZTETÉS

#### Véletlen károsodás hibás vagy kifolyó akkuk miatt. !

- ▶ A terméket mindig behelyezett akku nélkül tárolja.
- 
- ▶ A terméket és az akkukat száraz, hűvös helyen tárolja. Vegye figyelembe a műszaki adatok alatt megadott hőmérsékleti határértékeket.
  - ▶ Az akkukat ne a töltőkészüléken tárolja. A töltési folyamatot követően az akkumulátort mindig vegye le a töltőkészületről.
  - ▶ Soha ne tárolja az akkut tűző napon, hóforráson vagy üveglap mögött.
  - ▶ A terméket és az akkut úgy tárolja, hogy azokhoz gyermekek, valamint illetéktelen személyek ne férhessenek hozzá.
  - ▶ Minden használat előtt, illetve hosszabb idejű tárolás előtt és után ellenőrizze az akkumulátor és a termék sértetlenségét.

## 8 Segítség zavarok esetén

- ▶ A táblázatban fel nem sorolt zavarok, illetve olyan zavarok esetén, amelyeket saját maga nem tud elhárítani, kérjük, forduljon a **Hilti** Szervizhez.

### 8.1 A körfűrész nem működőképes

Üzemzavar	Lehetséges ok	Megoldás
A LED-ek nem jeleznek semmit.	Az akku nincs teljesen behelyezve.	▶ Helyezze be az akkut.
	Lemerült az akkumulátor.	▶ Töltse fel az akkut.
	Az akku túl forró vagy túl hideg.	▶ Hozza az akkut a megfelelő környezeti hőmérsékletre.
1 LED villog.	Lemerült az akkumulátor.	▶ Töltse fel az akkut.
	Az akku túl forró vagy túl hideg.	▶ Hozza az akkut a megfelelő környezeti hőmérsékletre.
4 LED villog.	A körfűrész rövid időre túlterhelődött.	▶ Engedje el a be-/kikapcsoló gombot, majd nyomja meg ismét.
	Túlmelegedés elleni védelem.	▶ Hagyja lehűlni a körfűrész, és tisztítsa meg a szellőzőnyílásokat.

### 8.2 A körfűrész működőképes

Üzemzavar	Lehetséges ok	Megoldás
Be-/kikapcsoló gomb nem nyomható be, ill. blokkolva van.	Nincs hiba (biztonsági funkció).	▶ Nyomja meg a bekapcsológátót.
A fordulatszám hirtelen erősen leesik.	Lemerült az akkumulátor.	▶ Töltse fel az akkut.
	Az előtölőerő túl nagy.	▶ Csökkentse az előtölőerőt, és kapcsolja be újra a terméket.
A forgácsok nem forgács-tartóba kerülnek, hanem az alaplmezre esnek.	A forgácstartó megtelt.	▶ Űritse ki a forgácstartót.
	A forgácscsatorna eldugult.	▶ Tisztítsa meg a forgácscsatornát. 117
A fűrészlap leáll.	Az előtölőerő túl nagy.	▶ Csökkentse az előtölőerőt, és kapcsolja be újra a terméket.



Üzemzavar	Lehetséges ok	Megoldás
Az akku a megszokottnál gyorsabban merül le.	Az akku állapota nem optimális.	► Cserélje ki az akkumulátort.
Az akku nem rögzül hallható „dupla kattanással”.	Az akkumulátor reteszei szennyezettek.	► Tisztítsa meg a reteszeket és hagyja bekattanni az akkut. Keresse fel a <b>Hilti</b> Szervizt, ha a probléma továbbra is fennáll.
Erős hőfejlődés a körfűrészzen vagy az akkumulátoron.	Elektromos hiba	► Azonnal kapcsolja ki a körfűrészrt. Vegye ki és vizsgálja meg az akkut. Hagyja lehűlni az akkut. Lépjen kapcsolatba a <b>Hilti</b> Szervizzel.
	A termék túlterhelt (túllépték az alkalmazási korlátokat).	► Válasszon az alkalmazási módnak megfelelő gépet.
A fűrész erősen vibrál	Hibásan felszerelt fűrészlap	► Szerelje fel megfelelően a fűrészlapot. 114

## 9 Ártalmatlanítás

### FIGYELMEZTETÉS

**Sérülésveszély a szakszerűtlen ártalmatlanítás miatt!** Egészségkárosodás veszélye a kilépő gázok és folyadékok miatt.

- Sérült akkut ne küldjön csomagküldő szolgálattal!
- A csatlakozókat nem vezető anyaggal fedje le a rövidzárlat elkerülése érdekében.
- Az akkukat úgy ártalmatlanítsa, hogy azok ne kerülhessenek gyermekek kezébe.
- Az akkut **Hilti Store**-ban ártalmatlanítsa, vagy forduljon az illetékes hulladéklerakóhoz.

A **Hilti** termékek nagyrészt újrahasznosítható anyagokból készülnek. Az újrahasznosítás előtt az anyagokat gondosan szét kell válogatni. A **Hilti** sok országban már visszaveszi használt gépét újrahasznosítás céljára. Kérdezze meg a **Hilti** ügyfélszolgálatot vagy kereskedelmi tanácsadóját.



- Az elektromos kéziszerszámokat, elektromos készülékeket és akkukat ne dobja a háztartási szemétkébe!

## 10 RoHS (Veszélyes anyagok alkalmazásának korlátozásáról szóló irányelv)

A következő linken elérhető a veszélyes anyagok táblázata: [qr.hilti.com/r2937785](http://qr.hilti.com/r2937785).

A dokumentáció végén található QR-kódon keresztül elérhető a RoHS táblázat.

## 11 Gyártói garancia

- A jótállás feltételeire vonatkozó kérdéseivel forduljon a helyi **Hilti** partneréhez.

## Originální návod k obsluze

### 1 Údaje k návodu k obsluze

#### 1.1 K tomuto návodu k obsluze

- Před uvedením do provozu si přečtete tento návod k obsluze. Je to předpoklad pro bezpečnou práci a bezproblémové zacházení.
- Dodržujte bezpečnostní pokyny a varovná upozornění v tomto návodu k obsluze a na výrobku.
- Návod k obsluze mějte uložený vždy u výrobku a dalším osobám předávejte výrobek jen s tímto návodem k obsluze.



## 1.2 Vysvětlení značek

### 1.2.1 Varovná upozornění

Varovná upozornění varují před nebezpečím při zacházení s výrobkem. Byla použita následující signální slova:

#### **NEBEZPEČÍ**

##### **NEBEZPEČÍ !**

- Používá se k upozornění na bezprostřední nebezpečí, které by mohlo vést k těžkému poranění nebo k smrti.

#### **VÝSTRAHA**

##### **VÝSTRAHA !**

- Používá se k upozornění na potenciální nebezpečí, které může vést k těžkým poraněním nebo k smrti.

#### **POZOR**

##### **POZOR !**

- Používá se k upozornění na potenciálně nebezpečnou situaci, která by mohla vést k poraněním nebo k věcným škodám.

### 1.2.2 Symboly v návodu k obsluze

V tomto návodu k obsluze jsou použité následující symboly:

	Říďte se návodem k obsluze
	Pokyny k používání a ostatní užitečné informace
	Zacházení s recyklovatelnými materiály
	Elektrická zařízení a akumulátory nevyhazujte do směsného odpadu
	Lithium-iontový akumulátor <b>Hilti</b>
	Nabíječka <b>Hilti</b>

### 1.2.3 Symboly na obrázcích

Na obrázcích jsou použity následující symboly:

	Tato čísla odkazují na příslušný obrázek na začátku tohoto návodu k obsluze.
	Číslování na obrázcích odkazují na důležité pracovní kroky nebo pro pracovní kroky důležité součásti. V textu jsou tyto pracovní kroky nebo součásti zvýrazněny příslušnými čísly, např. <b>(3)</b> .
	Čísla pozic jsou uvedena na obrázku <b>Přehled</b> a odkazují na čísla z legendy v části <b>Přehled výrobku</b> .
	Tato značka znamená, že byste měli manipulaci s výrobkem věnovat zvláštní pozornost.

## 1.3 Symboly v závislosti na výrobku

### 1.3.1 Symboly

Na výrobku mohou být použity následující symboly:

$n_0$	Jmenovité volnoběžné otáčky
	Stejnoseměrný proud
RPM	Otáčky za minutu
$\varnothing$	Průměr



	Pilový kotouč
	Výrobek podporuje bezdrátový přenos dat kompatibilní se systémy iOS a Android.
Li-Ion	Lithium-iontový akumulátor
	Použitá typová řada lithium-iontového akumulátoru <b>Hilti</b> . Řiďte se pokyny v kapitole <b>Použití v souladu s určeným účelem</b> .
	Akumulátor nikdy nepoužívejte jako úderové nářadí.
	Dbejte na to, aby akumulátor nespadl. Nepoužívejte akumulátor, který byl vystavený nárazu nebo je jinak poškozený.

#### 1.4 Informace o výrobku

Výrobky jsou určeny pro profesionální uživatele a smí je obsluhovat, ošetřovat a provádět jejich údržbu pouze autorizovaný a instruovaný personál. Tento personál musí být speciálně informován o vyskytujících se nebezpečích, s nimiž by se mohl setkat. Výrobek a jeho pomůcky mohou být nebezpečné, pokud s nimi nesprávně zachází nevyškolený personál nebo pokud se nepoužívají v souladu s určeným účelem.

Typové označení a sériové číslo jsou uvedeny na typovém štítku.

- Poznamenejte si sériové číslo do následující tabulky. Údaje výrobku budete potřebovat při dotazech adresovaných našemu zastoupení nebo servisu.

##### Údaje o výrobku

Okružní pila	SC 70W-A22
Generace	01
Sériové číslo	

#### 1.5 Prohlášení o shodě

Prohlašujeme na výhradní zodpovědnost, že zde popsaný výrobek je ve shodě s platnými směrnici a normami. Kopii prohlášení o shodě najdete na konci této dokumentace.

Technické dokumentace jsou uloženy zde:

Hilti Entwicklungsgesellschaft mbH | Zulassung Geräte | Hiltistraße 6 | 86916 Kaufering, DE

## 2 Bezpečnost

### 2.1 Všeobecné bezpečnostní pokyny pro elektrické nářadí

**⚠ VAROVÁNÍ** Přečtěte si **všechny bezpečnostní pokyny, instrukce, vyobrazení a technické údaje, které patří k tomuto elektrickému nářadí**. Nedbalost při dodržování následujících instrukcí může mít za následek úraz elektrickým proudem, požár a/nebo těžká poranění.

**Všechny bezpečnostní pokyny a instrukce uschovejte pro budoucí potřebu.**

Pojem „elektrické nářadí“, používaný v bezpečnostních pokynech, se vztahuje na elektrické nářadí napájené ze sítě (se síťovým kabelem) nebo na elektrické nářadí napájené z akumulátoru (bez síťového kabelu).

#### Bezpečnost pracoviště

- **Pracoviště musí být čisté a dobře osvětlené.** Nepořádek nebo neosvětlená místa mohou vést k úrazům.
- **S elektrickým nářadím nepracujte v prostředí s nebezpečím výbuchu, kde se nacházejí hořlavé kapaliny, plyny nebo prach.** Elektrické nářadí jiskří; od těchto jisker se mohou prach nebo páry vznítit.
- **Při práci s elektrickým nářadím zabraňte přístupu dětem a jiným osobám na pracoviště.** Rozptýlování pozornosti by mohlo způsobit ztrátu kontroly nad nářadím.

#### Elektrická bezpečnost

- **Síťová zástrčka elektrického nářadí musí odpovídat zásuvce. Zástrčka nesmí být žádným způsobem upravována. U elektrického nářadí s ochranným uzemněním nepoužívejte žádné adaptéry.** Neupravené zástrčky a odpovídající zásuvky snižují riziko úrazu elektrickým proudem.
- **Nedotýkejte se uzemněných povrchů, např. trubek, topení, sporáků a chladniček.** Při tělesném kontaktu s uzemněním hrozí zvýšené riziko úrazu elektrickým proudem.



- ▶ **Elektrické nářadí chráňte před deštěm a vlhkem.** Vniknutí vody do elektrického nářadí zvyšuje nebezpečí úrazu elektrickým proudem.
- ▶ **Síťový kabel používejte jen k tomu účelu, pro který je určený. Nepoužívejte ho zejména k nošení či zavěšování elektrického nářadí ani k vytahování zástrčky ze zásuvky.** Síťový kabel chráňte před horkem, olejem, ostrými hranami a pohyblivými díly. Poškozené nebo zamotané síťové kabely zvyšují riziko úrazu elektrickým proudem.
- ▶ **Pokud pracujete s elektrickým nářadím venku, používejte pouze takové prodlužovací kabely, které jsou vhodné i pro venkovní použití.** Použití prodlužovacího kabelu, který je vhodný pro venkovní použití, snižuje riziko úrazu elektrickým proudem.
- ▶ **Pokud se nelze vyvarovat provozu elektrického nářadí ve vlhkém prostředí, použijte proudový chránič.** Použití proudového chrániče snižuje riziko úrazu elektrickým proudem.

#### Bezpečnost osob

- ▶ **Bud'te pozorní, dávejte pozor na to, co děláte, a přistupujte k práci s elektrickým nářadím rozumně.** Elektrické nářadí nepoužívejte, když jste unavení nebo pod vlivem drog, alkoholu či léků. Okamžitk nepozornosti při práci s elektrickým nářadím může mít za následek vážná poranění.
- ▶ **Používejte osobní ochranné pomůcky a vždy noste ochranné brýle.** Používání osobních ochranných pomůcek, jako jsou dýchací maska proti prachu, bezpečnostní obuv s protiskluzovou podrážkou, ochranná helma nebo chrániče sluchu (podle druhu použití elektrického nářadí), snižuje riziko úrazu.
- ▶ **Zabraňte neúmyslnému uvedení do provozu. Před zapojením elektrického nářadí do sítě a/nebo vložením akumulátoru, před uchopením elektrického nářadí nebo jeho přenášením se ujistěte, že je vypnuté.** Držíte-li při přenášení elektrického nářadí prst na spínači nebo připojujete-li ho k síti zapnuté, může dojít k úrazu.
- ▶ **Dříve než elektrické nářadí zapnete, odstraňte seřizovací nástroje nebo klíči.** Nástroj nebo klíč ponechaný v otáčivém dílu nářadí může způsobit úraz.
- ▶ **Udržujte přirozené držení těla. Zaujměte bezpečný postoj a udržujte rovnováhu.** Tak si v nečekaných situacích zachováte lepší kontrolu nad výrobkem.
- ▶ **Noste vhodné oblečení. Nenoste volný oděv ani šperky. Vlasy, oděv a rukavice mějte v bezpečné vzdálenosti od pohybujících se dílů.** Volný oděv, šperky a dlouhé vlasy jimi mohou být zachyceny.
- ▶ **Pokud lze namontovat odsávání prachu nebo zařízení na zachycení prachu, zkontrolujte, zda jsou připojené a používají se správně.** Použitím odsávání prachu můžete snížit ohrožení vlivem prachu.
- ▶ **Nenechte se ukolébat falešným pocitem bezpečí a nepřekračujte bezpečnostní pravidla pro elektrické nářadí, i když jste po mnohonásobném použití s elektrickým nářadím dobře seznámeni.** Nepozorné jednání může ve zlomcích sekundy způsobit těžká zranění.

#### Použití elektrického nářadí a péče o něj

- ▶ **Nářadí nepřetěžujte.** Pro danou práci použijte elektrické nářadí, které je pro ni určené. S vhodným elektrickým nářadím budete v dané výkonové oblasti pracovat lépe a bezpečněji.
- ▶ **Nepoužívejte elektrické nářadí s vadným spínačem.** Elektrické nářadí, které nelze zapnout nebo vypnout, je nebezpečné a musí se opravit.
- ▶ **Dříve než budete nářadí seřizovat, měnit jeho příslušenství nebo ho odložíte, vytáhněte síťovou zástrčku ze zásuvky a/nebo vyjměte odnímatelný akumulátor.** Toto preventivní opatření zabrání neúmyslnému zapnutí elektrického nářadí.
- ▶ **Nepoužívané elektrické nářadí uchovávejte mimo dosah dětí. Nedovoľte, aby nářadí používaly osoby, které s ním nejsou seznámené nebo si nepřčetly tyto pokyny.** Elektrické nářadí je nebezpečné, když ho používají nezkušení osoby.
- ▶ **O elektrické nářadí a příslušenství se pečlivě starajte.** Kontrolujte, zda pohyblivé díly bezvadně fungují a nevážnou, zda díly nejsou prasklé nebo poškozené tak, že by byla narušena funkce elektrického nářadí. Poškozené díly nechte před použitím nářadí opravit. Mnoho úrazů má na svědomí nedostatečná údržba elektrického nářadí.
- ▶ **Řezné nástroje udržujte ostré a čisté.** Pečlivě ošetřované řezné nástroje s ostrými řeznými hranami méně vážnou a dají se lehčejí vést.
- ▶ **Elektrické nářadí, příslušenství, nástroje atd. používejte v souladu s těmito instrukcemi. Respektujte přítom pracovní podmínky a prováděnou činnost.** Použití elektrického nářadí k jinému účelu, než ke kterému je určeno, může být nebezpečné.
- ▶ **Rukojeti a plochy rukojeti udržujte suché, čisté a beze stop oleje a tuku.** Kluzké rukojeti a plochy rukojeti nedovolují bezpečné ovládnání a kontrolu elektrického nářadí v nepředvídaných situacích.

#### Použití akumulátorového přístroje a péče o něj

- ▶ **Akumulátory nabíjejte pouze v nabíječkách, které jsou doporučené výrobcem.** Při použití jiných akumulátorů, než pro které je nabíječka určena, hrozí nebezpečí požáru.
- ▶ **Elektrické nářadí používejte pouze s akumulátory, které jsou pro ně určené.** Použití jiných akumulátorů může způsobit úraz nebo požár.





- ▶ **Nepoužívaný akumulátor neukládejte pohromadě s kancelářskými sponkami, mincemi, klíči, hřebíky, šrouby nebo s jinými drobnými kovovými předměty, které by mohly způsobit přemostění kontaktů.** Zkrat mezi kontakty akumulátoru může způsobit popálení nebo požár.
- ▶ **Při nesprávném použití může z akumulátoru vytéci kapalina. Zabraňte kontaktu s touto kapalinou. Při náhodném kontaktu opláchněte postižené místo vodou. Pokud kapalina vnikne do očí, vyhledejte také i lékaře.** Vytékající akumulátorová kapalina může způsobit podráždění pokožky nebo popálení.
- ▶ **Nepoužívejte poškozené nebo upravené akumulátory.** Poškozené nebo upravené akumulátory se mohou chovat nepředvídatelně a způsobit požár, výbuch nebo poranění.
- ▶ **Akumulátor nevystavujte ohni nebo vysokým teplotám.** Oheň nebo teploty přes 130 °C (265 °F) mohou způsobit explozi.
- ▶ **Dodržujte všechny instrukce pro nabíjení a nenabíjejte akumulátor nebo akumulátorové nářadí nikdy mimo rozsah teplot uvedený v návodu na obsluhu.** Špatné nabíjení nebo nabíjení mimo přípustný rozsah teplot může zničit akumulátor a zvýšit nebezpečí požáru.

#### Servis

- ▶ **Elektrické nářadí svěrujte do opravy pouze kvalifikovaným odborným pracovníkům, kteří mají k dispozici originální náhradní díly.** Tak zajistíte, že nářadí bude i po opravě bezpečné.
- ▶ **Nikdy neprovádějte údržbu poškozených akumulátorů.** Veškerou údržbu akumulátorů by měl provádět jen výrobce nebo autorizovaný zákaznický servis.

## 2.2 Bezpečnostní pokyny pro všechny typy pil

### Proces řezání

- ▶ **⚠ NEBEZPEČÍ: Nikdy nedávejte ruce do oblasti řezání a k pilovému kotouči. Druhou rukou držte nářadí za přidavnou rukojeť nebo za kryt motoru.** Budete-li pilu držet oběma rukama, nemůže dojít k jejich poranění pilovým kotoučem.
- ▶ **Nesahejte pod obrobek.** Pod obrobkem vás ochranný kryt nemůže před pilovým kotoučem chránit.
- ▶ **Hloubku řezu přizpůsobte tloušťce obrobku.** Pod obrobkem by mělo být vidět méně než plnou výšku zubu.
- ▶ **Při řezání nikdy nedržte obrobek v ruce ani přes nohu, ale vždy ho zajistěte do stabilního upnutí.** Je důležité obrobek dobře upevnit, aby se minimalizovalo nebezpečí tělesného kontaktu, uváznutí pilového kotouče nebo ztráty kontroly nad nářadím.
- ▶ **Při práci, při níž nástroj může zasáhnout skryté elektrické rozvody, držte elektrické nářadí jen za izolované rukojeti.** Kontakt s vedením pod proudem by vedl pod napětí i kovové díly elektrického nářadí, což by mohlo způsobit úraz elektrickým proudem.
- ▶ **U podélných řezů používejte vždy doraz nebo přímé vedení podél hrany.** Zlepšuje se tím přesnost řezu a snižuje možnost uváznutí pilového kotouče.
- ▶ **Používejte vždy pilové kotouče správné velikosti a s odpovídajícím upínacím otvorem (např. hvězdicovým nebo kruhovým).** Pilové kotouče, které upínání pily přesně neodpovídají, se točí nepravidelně, což vede ke ztrátě kontroly nad nářadím.
- ▶ **Nikdy nepoužívejte poškozené nebo nesprávné podložky pilového kotouče nebo upínací šrouby.** Podložky pilového kotouče a upínací šrouby jsou speciálně konstruovány pro danou pilu, pro její optimální výkon a provozní bezpečnost.

### Zpětný ráz – příčiny a příslušné bezpečnostní pokyny

- Zpětný ráz je náhlá reakce způsobená špatně vyrovnaným pilovým kotoučem, jeho zaseknutím nebo uváznutím, která má za následek, že se pila nekontrolovaně nadzvedne a pohybuje se z obrobku ven směrem k pracovníkovi;
- když se pilový kotouč ve svírajícím se řezu zasekne nebo uváže, zablokuje se a síla motoru pilu vymrští směrem k pracovníkovi;
- když se pilový kotouč v řezu natočí, nebo když je špatně vyrovnaný, mohou se zuby na zadní straně kotouče zaseknout v povrchu obrobku, čímž se pilový kotouč z řezu vymrští a pila vyskočí zpátky směrem k pracovníkovi.

Zpětný ráz je důsledkem nesprávného nebo chybného použití pily. Lze mu zabránit vhodnými bezpečnostními opatřeními, popsánymi dále.

- ▶ **Pilu držte pevně oběma rukama a v takové poloze paží, abyste dokázali vzdorovat silám zpětného rázu. Stůjte vždy stranou od pilového kotouče tak, aby s ním tělo nebylo nikdy v přímé čáře.** Při zpětném rázu se okružní pila může vymrští dozadu, pomocí vhodných preventivních opatření může ovšem pracovník síly zpětného rázu zvládnout.
- ▶ **Pokud pilový kotouč uváže, nebo když přerušíte práci, pilu vypněte a držte ji v klidu v obrobku, dokud se kotouč nezastaví. Nikdy se nesnažte pilu z obrobku vyjmout nebo ji táhnout směrem**



zpět, dokud se pilový kotouč pohybuje, neboť může dojít ke zpětnému rázu. Zjistěte a odstraňte příčinu uváznutí pilového kotouče.

- ▶ **Chcete-li pilu, která uvázla v obrobku, znovu spustit, vyrovnejte pilový kotouč v řezu a zkontrolujte, zda pilové zuby nejsou v obrobku zakousnuté.** Když se pilový kotouč zakousne, může se při dalším spuštění začít pohybovat z obrobku ven nebo způsobit zpětný ráz.
- ▶ **Aby se snížilo riziko zpětného rázu vyvolaného uváznutím pilového kotouče, velké desky při řezání podepřete.** Velké desky se mohou vlastní hmotností prohnout. Proto desky musí být podepřeny na obou stranách, a to jak v blízkosti řezu, tak na kraji.
- ▶ **Nepoužívejte otupené ani poškozené pilové kotouče.** Pilové kotouče s tupými nebo špatně rozvedenými zuby vytvářejí jen úzký řez, ve kterém dochází k silnému tření a snadno v něm může dojít k uváznutí pilového kotouče a ke zpětnému rázu.
- ▶ **Než začnete řezat, utáhněte aretace nastavení hloubky řezu a úhlu řezu.** Kdyby při řezání došlo ke změně nastavení, pilový kotouč by mohl uváznout a tím způsobit zpětný ráz.
- ▶ **Zvlášť opatrní buďte při řezání do stávajících stěn nebo v jiných oblastech, kde není vidět na druhou stranu řezu.** Zavolující se pilový kotouč by mohl při řezání narazit na skryté objekty, zablokovat se a vyvolat zpětný ráz.

### 2.3 Dodatečné bezpečnostní pokyny

#### Bezpečnost osob

- ▶ Úpravy nebo změny na nářadí nejsou dovoleny.
- ▶ Nářadí držte vždy pevně oběma rukama za rukojeti, které jsou k tomu určené. Udržujte rukojeti suché, čisté a beze stop oleje a tuku.
- ▶ Používejte chrániče sluchu. Hluk může způsobit ztrátu sluchu.
- ▶ Jestliže se nářadí používá bez odsávání prachu, musíte při prašných pracích používat lehký respirátor.
- ▶ Nářadí používejte jen s příslušnými ochrannými zařízeními.
- ▶ Dělejte pracovní přestávky a relaxační cvičení s prsty pro jejich lepší prokrvení.
- ▶ Nářadí není určené pro slabé a neinstruované osoby.
- ▶ Nářadí udržujte mimo dosah dětí.
- ▶ Výrobek zapínejte až na pracovišti.
- ▶ Při skladování a přepravě nářadí vyjměte akumulátor.
- ▶ Neřežte výrobkem nad hlavou.
- ▶ Nebrzděte výrobek bočním tlakem na pilový kotouč.
- ▶ V dráze řezu nesmí být žádné překážky. Neřežte do šroubů, hřebíků atd.
- ▶ Nedotýkejte se vnější upínací přírby ani upínacího šroubu, když je nářadí v chodu.
- ▶ Nikdy nestiskávejte aretační tlačítko vřetena, dokud se pilový kotouč točí.
- ▶ Nesměrujte pilu na osoby.
- ▶ Posuvnou sílu přizpůsobte pilovému kotouči a obráběnému materiálu tak, aby se pilový kotouč nezablokoval a nezpůsobil případně zpětný ráz.
- ▶ Zabráňte přehřívání hrotů zubů pilového kotouče.
- ▶ Při řezání plastu je třeba zabránit tavení plastu.
- ▶ Prach z materiálů, jako jsou nátěry s obsahem olova, některé druhy dřeva, beton / zdivo / kámen, které obsahují křemen, a dále minerály a kov, může být zdraví škodlivý. Kontakt s tímto prachem nebo jeho vdechování může způsobit alergické reakce a/nebo onemocnění dýchacích cest pracovníka nebo osob v okolí. Určitý prach, např. prach z dubového nebo bukového dřeva, je rakovinotvorný, zejména ve spojení s přísadami pro úpravu dřeva (chromát, prostředky na ochranu dřeva). S materiálem obsahujícím azbest smí manipulovat pouze odborníci. **Pokud možno používejte odsávání prachu. Abyste dosáhli vysokého stupně odsávání prachu, používejte vhodný mobilní vysavač. Případně noste respirátor vhodný pro příslušný prach. Zajistěte dobré větrání pracoviště. Dodržujte předpisy pro obráběné materiály platné v příslušné zemi.**
- ▶ Před začátkem práce si ujasněte rizikovou kategorii prachu, který při práci vzniká. Používejte stavební vysavač s oficiálně schválenou třídy ochrany, která splňuje místní předpisy na ochranu proti prachu.
- ▶ Dodržujte národní požadavky bezpečnosti práce.

#### Elektrická bezpečnost

- ▶ Před zahájením práce zkontrolujte např. pomocí detektoru kovů pracovní prostor, jestli neobsahuje skryté elektrické kabely, plynové a vodovodní trubky. Vnější kovové součásti nářadí se mohou dostat



pod napětí, např. pokud byste omylem poškodili elektrické vedení. To představuje vážné nebezpečí úrazu elektrickým proudem.

#### **Pečlivé zacházení s akumulátorem a jeho používání**

- ▶ **Dodržujte zvláštní směrnice pro přepravu, skladování a provoz lithium-iontových akumulátorů.**
- ▶ **Chraňte akumulátory před vysokými teplotami a ohněm.** Hrozí nebezpečí výbuchu.
- ▶ **Akumulátory se nesmějí rozebírat, lisovat, zahřívat nad 80 °C (176 °F) ani pálit.** Jinak hrozí nebezpečí požáru, výbuchu a poleptání.
- ▶ **Poškozené akumulátory (např. akumulátory s prasklinami, prasklými díly, ohnutými, zaraženými a/nebo vytaženými kontakty) se nesmí nabíjet ani dále používat.**
- ▶ **Nepoužívejte akumulátory jako zdroj energie pro jiné, nespecifikované spotřebiče.**
- ▶ Pokud je akumulátor příliš horký na dotek, může být vadný. **Postavte nářadí na nehořlavé místo v dostatečné vzdálenosti od hořlavých materiálů, kde lze akumulátor sledovat, a nechte ho vychladnout. Po vychladnutí akumulátoru kontaktujte servis Hilti.**

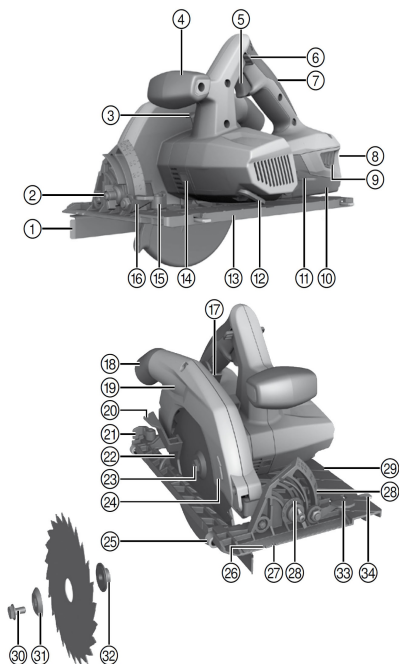
#### **2.4 Doplnující bezpečnostní pokyny pro okružní pily**

- ▶ Ruční okružní pilu ved'te proti obrobku jen v zapnutém stavu.
  - ▶ V dráze řezu nesmí být nahoře ani dole žádné překážky. Neřežte do šroubů, hřebíků a podobně.
- ▶ S okružní pilou nikdy nepracujte nad hlavou.
- ▶ Pilový kotouč nikdy nebrzděte bočním tlakem.
- ▶ Zabraňte přehřívání hrotů zubů pilového kotouče.
- ▶ Používejte vždy pilový kotouč, který se hodí pro řezaný podklad.
- ▶ Používejte výhradně pilové kotouče doporučené firmou Hilti, které splňují normu EN 847-1.

#### **2.5 Pečlivé zacházení s akumulátorem a jeho používání**

- ▶ Dodržujte zvláštní směrnice pro přepravu, skladování a provoz lithium-iontových akumulátorů.
- ▶ Akumulátory chraňte před vysokými teplotami, přímým slunečním zářením a ohněm.
- ▶ Akumulátory se nesmějí rozebírat, lisovat, zahřívat nad 80 °C (176 °F) ani pálit.
- ▶ Nepoužívejte a nenabíjejte akumulátory, které byly vystaveny nárazu, které spadly z větší výšky než jeden metr nebo jsou jinak poškozené. V tom případě vždy kontaktujte **Hilti servis**.
- ▶ Pokud je akumulátor příliš horký na dotek, může být vadný. Akumulátor položte na nehořlavé místo, na které je vidět, v dostatečné vzdálenosti od hořlavých materiálů. Nechte akumulátor vychladnout. Když je akumulátor i za hodinu stále příliš horký na dotek, je vadný. Kontaktujte **servis Hilti**.



**3.1 Přehled výrobku 1**


- ① Paralelní doraz jednoramenný
- ② Přednastavení pro úhel řezu (22,5°, 45°, 50°)
- ③ Aretační tlačítko vřetena
- ④ Přídavná rukojeť
- ⑤ Vypínač
- ⑥ Pojistka proti zapnutí
- ⑦ Rukojeť
- ⑧ Ukazatel stavu nabití a poruch (lithium-iontový akumulátor)
- ⑨ Odjišťovací tlačítka s přídavnou funkcí akti-vace ukazatele stavu nabití
- ⑩ Akumulátor
- ⑪ Aretační páčka pro nastavení hloubky řezu
- ⑫ Inbusový klíč
- ⑬ Základní deska malá
- ⑭ LED osvětlení
- ⑮ Aretační páčka pro paralelní doraz vpředu
- ⑯ Aretační páčka pro nastavení úhlu řezu
- ⑰ Stupnice hloubky řezu
- ⑱ Připojovací hrdlo (kanál pro odvod třísek)
- ⑲ Ochranný kryt
- ⑳ Páčka výkyvného ochranného krytu
- ㉑ Aretační páčka pro paralelní doraz vzadu (pouze pro velkou základní desku)
- ㉒ Výkyvný ochranný kryt
- ㉓ Hnací vřeteno
- ㉔ Šipka směru otáčení
- ㉕ Paralelní doraz dvouramenný
- ㉖ Ryska řezu 0°
- ㉗ Ryska řezu 45°
- ㉘ Stupnice úhlu řezu
- ㉙ Základní deska velká
- ㉚ Upínací šroub
- ㉛ Vnější upínací příruba
- ㉜ Vnitřní upínací příruba
- ㉝ Ryska drážky 0° základní deska
- ㉞ Ryska drážky 1° – 50° základní deska

**3.2 Adaptér pro vodící lištu 2**

- ㉟ Upevňovací výstupky zadní
- ㊱ Upevňovací výstupek přední
- ㊲ Ryska drážky 0°
- ㊳ Ryska drážky 1° – 50°

**3.3 Použití v souladu s určeným účelem**

Popsaný výrobek je akumulátorová okružní pila. Je určena k řezání dřeva nebo materiálů podobných dřevu, plastů, sádkokartonu, sádrovláknitých desek a kompozitních materiálů.

Ruční okružní pila je vybavená odnímatelným připojovacím hrdlem pro volitelný vysavač / volitelné odsávání prachu, které je dimenzované na běžné odsávací hadice. Pro spojení hadice vysavače s pilou může být nutný vhodný adaptér.

- Nesmějí se používat pilové kotouče, které neodpovídají uvedeným charakteristikám (např. průměr, otáčky, tloušťka), rozbrušovací a brusné kotouče ani pilové kotouče z vysokolegované rychlořezné oceli (HSS). Nesmějí se řezat kovy.



- ▶ Nepoužívejte výrobek k odřezávání větví a kmenů.
- ▶ Pro tento výrobek používejte pouze lithium-iontové akumulátory **Hilti** typové řady B 22.
- ▶ Používejte pro tyto akumulátory pouze nabíječky **Hilti** řady C4/36.

### 3.4 Ukazatel lithium-iontového akumulátoru

Stav nabití lithium-iontového akumulátoru a poruchy nářadí jsou signalizovány pomocí ukazatele lithium-iontového akumulátoru. Stav nabití lithium-iontového akumulátoru se zobrazí po klepnutí na jedno ze dvou odjišťovacích tlačítek akumulátoru.

Stav	Význam
Svítil 4 LED.	Stav nabití: 75 % až 100 %
Svítil 3 LED.	Stav nabití: 50 % až 75 %
Svítil 2 LED.	Stav nabití: 25 % až 50 %
Svítil 1 LED.	Stav nabití: 10 % až 25 %
Bliká 1 LED, nářadí je připravené k provozu.	Stav nabití: < 10 %
Bliká 1 LED, nářadí není připravené k provozu.	Akumulátor je přehřátý nebo úplně vybitý.
Blikají 4 LED, nářadí není připravené k provozu.	Nářadí je přetížené nebo přehřáté.



Při stisknutí ovládacím spínači a až 5 sekund po uvolnění ovládacího spínače nelze stav nabití zjistit. Pokud blikají LED ukazatele akumulátoru, řiďte se pokyny v kapitole Pomoc při poruchách.

### 3.5 Paralelní doraz

Jednoramenný paralelní doraz umožňuje vést přesné řezy podél hrany obrobku, příp. řezání lišt stejných rozměrů.

Paralelní doraz lze namontovat na obou stranách základní desky.

### 3.6 Obsah dodávky

Okružní pila, pilový kotouč, inbusový klíč, paralelní doraz, připojovací hrdlo pro vysavač, návod k obsluze (volitelně: adaptér pro vodící lištu)



Námí schválené náhradní díly, spotřební materiál a příslušenství pro svůj výrobek najdete v **Hilti Store** nebo na: [www.hilti.group](http://www.hilti.group).

### 3.7 Příslušenství

Vnější upínací příruba, vnitřní upínací příruba, upínací šroub.

## 4 Technické údaje

### 4.1 Okružní pila

	SC 70W-A22
Jmenovité napětí	21,6 V
Hmotnost podle standardu EPTA 01	4,8 kg
Předepsaný průměr pilového kotouče	190 mm
Tloušťka těla kotouče	0,7 mm ... 1,5 mm
Šířka řezu	1,5 mm ... 2 mm
Upínací otvor pilového kotouče	30 mm
Jmenovité volnoběžné otáčky	3 500 ot/min
Maximální hloubka řezu 0°	70 mm
Maximální hloubka řezu 45°	51 mm
Maximální hloubka řezu 50°	45 mm
Pokosový úhel	0° ... 50°



	<b>SC 70W-A22</b>
<b>Provozní teplota</b>	-10 °C ... 50 °C
<b>Skladovací teplota (bez akumulátoru)</b>	-30 °C ... 70 °C

#### 4.2 Akumulátor

<b>Provozní napětí akumulátoru</b>	21,6 V
<b>Okolní teplota při provozu</b>	-17 °C ... 60 °C
<b>Skladovací teplota</b>	-20 °C ... 40 °C
<b>Teplota akumulátoru na začátku nabíjení</b>	-10 °C ... 45 °C

#### 4.3 Informace o hlučnosti a hodnoty vibrací zjištěné podle EN 62841

Hodnoty hlučnosti a vibrací, uvedené v těchto pokynech, byly naměřené normovanou měřicí metodou a lze je použít pro vzájemné porovnání elektrického nářadí. Metoda je vhodná také pro předběžný odhad působení. Uvedené údaje reprezentují hlavní použití elektrického nářadí. Při jiném způsobu použití, při použití s jinými nástroji nebo nedostatečné údržbě se údaje mohou lišit. Působení během celé pracovní doby se tím může výrazně zvýšit. Pro přesný odhad působení je nutné zohlednit také dobu, kdy je nářadí vypnuté nebo kdy sice běží, ale nepoužívá se. Působení během celé pracovní doby se tím může výrazně snížit. Stanovte doplňující bezpečnostní opatření na ochranu pracovníka před působením hluku a/nebo vibrací, například: údržbu elektrického nářadí a nástrojů, udržování rukou v teple, organizace pracovních postupů.

#### Hodnoty emitovaného hluku zjištěné podle EN 62841

	<b>SC 70W-A22</b>
<b>Hladina akustického výkonu (<math>L_{WA}</math>)</b>	103 dB(A)
<b>Nejistota pro hladinu akustického výkonu (<math>K_{WA}</math>)</b>	3 dB(A)
<b>Hladina akustického tlaku (<math>L_{pA}</math>)</b>	92 dB(A)
<b>Nejistota pro hladinu akustického tlaku (<math>K_{pA}</math>)</b>	3 dB(A)

#### Celkové hodnoty vibrací (součet vektorů tří směrů), zjištěné podle EN 62841

	<b>SC 70W-A22</b>
<b>Hodnota emitovaných vibrací při řezání do dřeva (<math>A_{h, w}</math>)</b>	0,93 m/s <sup>2</sup>
<b>Nejistota (K)</b>	1,5 m/s <sup>2</sup>

## 5 Obsluha

### 5.1 Příprava práce

#### 5.1.1 Nabíjení akumulátoru

1. Před nabíjením si přečtěte návod k obsluze nabíječky.
2. Dbejte na to, aby byly kontakty akumulátoru a nabíječky suché a čisté.
3. Akumulátor nabíjejte pomocí schválené nabíječky. 126

#### 5.1.2 Nasazení akumulátoru

#### VÝSTRAHA

#### Nebezpečí poranění při zkratu nebo padajícím akumulátorem!

- ▶ Před nasazením akumulátoru zkontrolujte, zda nejsou na kontaktech akumulátoru a výrobku cizí tělesa.
- ▶ Zajistěte, aby akumulátor vždy správně zaskočil.

1. Před prvním uvedením do provozu akumulátor úplně nabijte.
2. Zasuňte akumulátor do výrobku tak, aby slyšitelně zaskočil.
3. Zkontrolujte, zda je akumulátor bezpečně usazený.

#### 5.1.3 Vyjmutí akumulátoru

1. Stiskněte odjišťovací tlačítka akumulátoru.
2. Vytáhněte akumulátor z přístroje.



### 5.1.4 Demontáž pilového kotouče 3

#### VÝSTRAHA

**Nebezpečí popálení a pořezání o pilový kotouč, upínací šroub a vnější upínací přírubu.** Důsledkem mohou být popáleniny a řezná poranění.

- ▶ Při výměně nástroje používejte ochranné rukavice.

1. Vyjměte akumulátor.
2. Nasadte inbusový klíč na upínací šroub pilového kotouče.
3. Stiskněte aretační tlačítko vřetena a držte ho stisknuté.
4. Inbusovým klíčem otáčejte upevňovacím šroubem pilového kotouče, dokud aretační kolík úplně nezaskočí.
5. Povolte upevňovací šroub dalším inbusovým klíčem ve směru šipky směru otáčení.
6. Vyšroubujte upevňovací šroub a sejměte vnější upínací přírubu.
7. Odklopením otevřete výkyvný ochranný kryt a sejměte pilový kotouč.



V případě potřeby lze upínací přírubu za účelem čištění sejmout.

### 5.1.5 Montáž pilového kotouče 4

#### POZOR

**Nebezpečí poškození!** Nevhodně nebo špatně nasazené pilové kotouče mohou pilu poškodit.

- ▶ Používejte pouze pilové kotouče, které jsou vhodné pro tuto pilu. Řiďte se podle šipky směru otáčení na pilovém kotouči.
- ▶ Používejte pouze pilové kotouče, jejichž přípustné otáčky jsou alespoň tak vysoké, jako jsou maximální otáčky uvedené na výrobku.



**Přesvědčte se, že upínací pilový kotouč odpovídá technickým požadavkům a je dobře naostřený.**

Ostrý pilový kotouč je předpokladem bezvadného řezu.

1. Vyjměte akumulátor.
2. Vyčistěte obě upínací příruby.
3. Nasuňte vnitřní upínací přírubu se správnou orientací na hnací vřeteno.
4. Otevřete výkyvný ochranný kryt.
5. Nasadte nový pilový kotouč.
6. Nasuňte vnější upínací přírubu se správnou orientací.
7. Nasadte upevňovací šroub.
8. Nasadte inbusový klíč na upínací šroub pilového kotouče.
9. Stiskněte aretační tlačítko vřetena.
10. Upevněte vnější upínací přírubu upevňovacím šroubem otáčením inbusového klíče proti šipce směru otáčení.
  - ▶ Aretační tlačítko vřetena zaskočí.
11. Před uvedením do provozu zkontrolujte, zda je pilový kotouč pevně a správně nasazený.

### 5.1.6 Nastavení hloubky řezu 5

1. Vyjměte akumulátor.
2. Uvolněte aretační páčku nastavení hloubky řezu.
3. Nůžkovým pohybem výrobek nadzvedněte a utažením aretační páčky nastavte hloubku řezu.



Hloubka řezu by měla být nastavena vždy cca o 5 až 10 mm větší, než je tloušťka řezaného materiálu. Podle stupnice a ukazatele na zadní straně ochranného krytu lze zjistit nastavenou hloubku.

### 5.1.7 Nastavení úhlu řezu 6

1. Vyjměte akumulátor.
2. Uvolněte aretační páčku nastavení úhlu řezu.



3. Naklopte výrobek do požadované polohy.



Přednastavení úhlu řezu umožňuje jednoduché nastavení maximálních úhlů 22,5° / 45° / 50°.

4. Aretační páčku nastavení úhlu řezu utáhněte.

### 5.1.8 Řezání podle rysky



Vpředu na základní desce okružní pily je ryska jak pro přímé, tak i pro šikmé řezy (0° a 45°). Tak lze provádět přesné řezy podle zvoleného úhlu. Ryska odpovídá vnitřní straně pilového kotouče. Ryska se nachází na předním výrezu pro pilový kotouč.



Zajistěte obrobek proti posunutí.

Obrobek umístěte tak, aby byl pilový kotouč pod obrobkem volný.

Zkontrolujte, zda je vypínač výrobku vypnutý.

Nasaďte výrobek základní deskou na obrobek tak, aby se pilový kotouč ještě nedotýkal obrobku.

1. Nasaďte akumulátor.
2. Zapněte výrobek stisknutím pojistky proti zapnutí a současným stisknutím vypínače.
3. Ved'te výrobek obrobkem vhodnou rychlostí podél rysky.

### 5.1.9 Montáž/nastavení paralelního dorazu

1. Vyměňte akumulátor.
2. Upínací šroub zašroubujte do základní desky jen natolik, aby zbyl ještě dostatek místa pro prostrčení paralelního dorazu.
3. Zasuňte vodičko paralelního dorazu pod upínací šroub.
4. Nastavte požadovanou šířku řezu.
5. Upínací šroub utáhněte.



Paralelní doraz (jednoramenný / dvouramenný) lze namontovat na obou stranách základní desky. Dvouramenný paralelní doraz lze použít pouze pro velkou základní desku.

Paralelní doraz umožňuje vést přesné řezy podél hrany obrobku, příp. řezání lišt stejných rozměrů.

### 5.1.10 Montáž adaptéru pro vodící lištu



Pila může být vybavena adaptérem pro vodící lištu, který lze obdržet jako příslušenství.

Při řezání s malou základní deskou používejte adaptér pro vodící lištu, který je vhodný pro vodící lištu.

1. Vyměňte akumulátor.
2. Odstraňte případně namontovaný paralelní doraz.
3. Nasaďte základní desku do upevňovacích výstupků adaptéru pro vodící lištu.
4. Nasaďte základní desku úplně do adaptéru pro vodící lištu.
5. Zajistěte adaptér pro vodící lištu zatlačením obou zářezek až nadoraz.

## 5.2 Práce

### 5.2.1 Zapnutí

- ▶ Zapněte výrobek stisknutím pojistky proti zapnutí a současným stisknutím vypínače.

### 5.2.2 Vypnutí

- ▶ Uvolněním vypínače zastavte nářadí.

### 5.2.3 Podélné řezy při 0°

1. Nasaďte okružní pilu ryskou drážky "0°" na kolejničku vodící lišty.
2. Zapněte výrobek stisknutím pojistky proti zapnutí a současným stisknutím vypínače.
3. Ved'te výrobek obrobkem vhodnou rychlostí podél lišty.





## 5.2.4 Podélné řezy pod úhlem až 50°

1. Nastavte úhel.

### VÝSTRAHA

**Nebezpečí kolize u šikmých řezů!** Kolize pilového kotouče s vodící lištou.

- ▶ Nasadte pilu správnou drážkou na kolejničku vodící lišty. Jinak dojde ke kolizi pilového kotouče s vodící lištou.
- 
2. Nasadte pilu ryskou drážky "1°–50°" na kolejničku vodící lišty.
  3. Zapněte výrobek stisknutím pojistky proti zapnutí a současným stisknutím vypínače.
  4. Vedte výrobek obrobkem vhodnou rychlostí podél lišty.

## 5.2.5 Provádění plošných úhlových řezů

1. Položte vodící lištu nulou na hranu obrobku a natáčejte ji, dokud požadovaný úhel na úhlové stupnici neleží naproti nule. Ryska úhlu řezu udává úhel, o který se řez odklání od přímého pravouhého řezu.
2. Upevněte vodící lištu dvěma šroubovými truhlářskými svěrkami.
3. Nasadte okružní pilu ryskou drážky "0°" na kolejničku vodící lišty.
4. Zapněte výrobek stisknutím pojistky proti zapnutí a současným stisknutím vypínače.
5. Vedte výrobek obrobkem vhodnou rychlostí podél lišty.

## 5.2.6 Řezání bez odsávání třísek

1. Dbejte na to, aby docházelo k volnému vyhazování třísek.
2. V případě potřeby lze přípojovací hrdlo sejmut z ochranného krytu po povolení šroubu s vnitřním šestihranem pomocí inbusového klíče, který se nachází na výrobku.

## 6 Ošetřování a údržba

### VÝSTRAHA

**Nebezpečí poranění při zasunutém akumulátoru !**

- ▶ Před veškerým ošetřováním a údržbou vždy vyjměte akumulátor!

### Péče o výrobek

- Opatrně odstraňte ulpívající nečistoty.
- Pokud má nářadí větrací otvory, opatrně je vyčistěte suchým, měkkým kartáčem.
- Kryt čistěte jen mírně navlhčeným hadrem. Nepoužívejte ošetřovací prostředky s obsahem silikonu, aby nedošlo k poškození plastových částí.
- K čištění kontaktů výrobku použijte čistý, suchý hadr.

### Péče o lithium-iontové akumulátory

- Nikdy nepoužívejte akumulátor s ucpanými větracími otvory. Větrací otvory vyčistěte opatrně suchým, měkkým kartáčem.
- Zajistěte, aby nebyl akumulátor zbytečně vystavený prachu nebo nečistotám. Chraňte akumulátor před vysokou vlhkostí (např. ho neponořujte do vody nebo ho nenechávejte na dešti). Pokud se akumulátor namočí, zacházejte s ním jako s poškozeným akumulátorem. Izolujte ho v nehořlavé nádobě a obraťte se na servis **Hilti**.
- Z akumulátoru odstraňte olej a tuk, který na něj nepatří. Nedovolte, aby se na akumulátoru hromadily zbytečný prach nebo nečistoty. Akumulátor čistěte suchým, měkkým kartáčem nebo čistým, suchým hadrem. Nepoužívejte ošetřovací prostředky s obsahem silikonu, aby nedošlo k poškození plastových částí.  
Nedotýkejte se kontaktů akumulátoru a neodstraňujte z kontaktů tuk, který je na nich nanesený z výroby.
- Kryt čistěte jen mírně navlhčeným hadrem. Nepoužívejte ošetřovací prostředky s obsahem silikonu, aby nedošlo k poškození plastových částí.

### Údržba

### VÝSTRAHA

**Nebezpečí úrazu elektrickým proudem!** Neodborné opravy elektrických součástí mohou způsobit těžká poranění a popáleniny.

- ▶ Opravy na elektrických částech smí provádět pouze odborník s elektrotechnickou kvalifikací.
- 
- Pravidelně kontrolujte všechny viditelné díly, zda nejsou poškozené, a ovládací prvky, zda správně fungují.



- V případě poškození a/nebo poruchy funkce výrobek nepoužívejte. Nechte výrobek neprodleně opravit v servisu **Hilti**.
- Po ošetřování a údržbě nasadte všechna ochranná zařízení a zkontrolujte, zda bezvadně fungují.



Pro bezpečný provoz používejte pouze originální náhradní díly, spotřební materiál a příslušenství. Náhradní díly, spotřební materiál a příslušenství schválené **Hilti** pro váš výrobek najdete v **Hilti Store** nebo na: [www.hilti.group](http://www.hilti.group).

### 6.1 Čištění ochranných zařízení

1. Pro vyčištění ochranného zařízení sejměte pilový kotouč.
2. Ochranná zařízení vyčistěte opatrně suchým kartáčem.
3. Vhodným nástrojem odstraňte usazeniny a třísky uvnitř ochranných zařízení.
4. Namontujte pilový kotouč.

### 6.2 Postup při ucpaném kanálu pro odvod třísek

1. Vyměňte akumulátor.
2. Vyčistěte kanál pro odvod třísek.



Případně může být nutné pilový kotouč demontovat. 129

3. Zkontrolujte, zda pohyblivé díly nářadí bezvadně fungují a neváznou, zda díly nejsou zlomené nebo poškozené tak, že je narušena jeho funkce.

### 6.3 Kontrola po čištění a údržbě



Po čištění a údržbě zkontrolujte, zda jsou připevněná veškerá ochranná zařízení a zda bezvadně fungují.

- ▶ Pro kontrolu výkyvného ochranného krytu ho úplně otevřete stisknutím ovládací páčky.
  - ▶ Po uvolnění ovládací páčky se musí výkyvný ochranný kryt rychle a úplně zavřít.

## 7 Přeprava a skladování

### Přeprava akumulátorového nářadí a akumulátorů



**POZOR**

#### Neúmyslné spuštění při přepravě !

- ▶ Výrobky přepravujte vždy bez nasazených akumulátorů!
- ▶ Vyměňte akumulátor/akumulátory.
- ▶ Akumulátory nikdy nepřepravujte volně. Akumulátory by měly být při přepravě chráněné proti nadměrným nárazům a vibracím a izolované od jakýchkoli vodivých materiálů nebo jiných akumulátorů, aby se nemohly dostat do kontaktu s póly jiných akumulátorů a způsobit tak zkrat. **Dodržujte místní přepravní předpisy pro akumulátory.**
- ▶ Akumulátory se nesmí posílat poštou. Pokud chcete posílat nepoškozené akumulátory, obraťte se na zásilkovou firmu.
- ▶ Před použitím, před delší přepravou a po delší přepravě zkontrolujte výrobek a akumulátory, zda nejsou poškozené.

### Skladování akumulátorového nářadí a akumulátorů



**VÝSTRAHA**

#### Neúmyslné poškození vadnými nebo vyteklými akumulátory. !

- ▶ Výrobky skladujte vždy bez nasazených akumulátorů!
- ▶ Výrobek a akumulátory skladujte v chladu a v suchu. Dodržujte limitní hodnoty teploty, které jsou uvedené v technických údajích.
- ▶ Akumulátory nenechávejte v nabíječce. Po nabíjení akumulátor vždy z nabíječky vyndejte.
- ▶ Akumulátory nikdy neskladujte na slunci, na zdrojích tepla nebo za sklem.
- ▶ Výrobek a akumulátory skladujte mimo dosah dětí a nepovolaných osob.



- Před použitím, před delším skladováním a po delším skladování zkontrolujte výrobek a akumulátory, zda nejsou poškozené.

## 8 Pomoc při poruchách

- V případě poruch, které nejsou uvedené v této tabulce nebo které nemůžete odstranit sami, se obraťte na náš servis **Hilti**.

### 8.1 Okružní pila není funkční.

Porucha	Možná příčina	Řešení
LED nic neindikují.	Akumulátor není úplně zasunutý.	► Nasadte akumulátor.
	Vybíty akumulátor.	► Nabijte akumulátor.
	Akumulátor příliš horký nebo příliš studený.	► Zajistěte, aby měl akumulátor správnou teplotu.
Bliká 1 LED.	Vybíty akumulátor.	► Nabijte akumulátor.
	Akumulátor příliš horký nebo příliš studený.	► Zajistěte, aby měl akumulátor správnou teplotu.
Blikají 4 LED.	Okružní pila je krátkodobě přetížená.	► Uvolněte vypínač a znovu ho stiskněte.
	Tepelná pojistka.	► Nechte okružní pilu vychladnout a vyčistěte ventilační štěrbinu.

### 8.2 Okružní pila je funkční.

Porucha	Možná příčina	Řešení
Vypínač nelze stisknout, resp. je zablokovaný.	Nejedná se o závadu (bezpečnostní funkce).	► Stiskněte pojistku proti zapnutí.
Otáčky náhle silně poklesnou.	Vybíty akumulátor.	► Nabijte akumulátor.
	Příliš velká posuvná síla.	► Zmenšíte posuvnou sílu a výrobek znovu zapnete.
Třísky nejsou odváděny do boxu na třísky a padají na základní desku.	Plný box na třísky.	► Vyprázdněte box na třísky.
	Ucpaný kanál pro odvod třísek.	► Vyčistěte kanál pro odvod třísek. 132
Pilový kotouč se zastaví.	Příliš velká posuvná síla.	► Zmenšíte posuvnou sílu a výrobek znovu zapnete.
Akumulátor se vybíjí rychleji než obvykle.	Akumulátor není v optimálním stavu.	► Vyměňte akumulátor.
Akumulátor nezaskočí se slyšitelným dvojítm cvaknutím.	Zajišťovací výstupky na akumulátoru jsou znečištěné.	► Vyčistěte aretační výstupky a nechte akumulátor zaskočit. Pokud problém přetrvává, obraťte se na servis <b>Hilti</b> .
Okružní pila nebo akumulátor se silně zahřívá.	Elektrická závada.	► Okamžitě okružní pilu vypněte. Vyměňte akumulátor a sledujte ho. Nechte akumulátor vychladnout. Kontaktujte servis <b>Hilti</b> .
	Výrobek je přetížený (překročena hranice zatížení).	► Zvolte nářadí odpovídající příslušnému použití.
Pila silně vibruje.	Nesprávně namontovaný pilový kotouč.	► Namontujte správně pilový kotouč. 129




## 9 Likvidace

### VÝSTRAHA

**Nebezpečí poranění při nesprávné likvidaci!** Nebezpečí poškození zdraví unikajícími plyny nebo kapalinami.

- ▶ Poškozené akumulátory žádným způsobem neposílejte!
- ▶ Přípojky zakryjte nevodivým materiálem, abyste zabránili zkratu.
- ▶ Akumulátory zlikvidujte tak, aby se nemohly dostat do rukou dětem.
- ▶ Akumulátor odevzdejte k likvidaci v **Hilti Store** nebo se obraťte na příslušnou sběrnou odpadů.

 Výrobky **Hilti** jsou vyrobené převážně z recyklovatelných materiálů. Předpokladem pro recyklaci materiálů je jejich řádné třídění. V mnoha zemích odebírá **Hilti** staré přístroje k recyklaci. Informujte se v servisu **Hilti** nebo u prodejního poradce.



- ▶ Nevyhazujte elektrické nářadí, elektronická zařízení a akumulátory do smíšeného odpadu!

## 10 RoHS (směrnice o omezení používání nebezpečných látek)

Pod následujícím odkazem najdete tabulku s nebezpečnými látkami: [qr.hilti.com/r2937785](http://qr.hilti.com/r2937785).

Odkaz na tabulku RoHS najdete na konci této dokumentace jako QR kód.

## 11 Záruka výrobce

- ▶ V případě otázek ohledně záručních podmínek se obraťte na místního partnera **Hilti**.

# Originálny návod na obsluhu

## 1 Informácie o návode na obsluhu

### 1.1 O tomto návode na obsluhu

- Pred uvedením do prevádzky si prečítajte tento návod na obsluhu. Je to predpokladom na bezpečnú prácu a bezproblémovú manipuláciu.
- Dodržujte bezpečnostné pokyny a varovania v návode na obsluhu a na výrobku.
- Tento návod na obsluhu uchovávajte vždy s výrobkom a ďalším osobám odovzdávajte výrobok iba s týmto návodom na obsluhu.

### 1.2 Vysvetlenie značiek

#### 1.2.1 Výstražné upozornenia

Výstražné upozornenia varujú pred rizikami pri zaobchádzaní s výrobkom. Používajú sa nasledujúce signálne slová:

### NEBEZPEČENSTVO

**NEBEZPEČENSTVO !**

- ▶ Na označenie bezprostredne hroziaceho nebezpečenstva, ktoré môže spôsobiť ťažký úraz alebo smrť.

### VAROVANIE

**VAROVANIE !**

- ▶ Označenie možného hroziaceho nebezpečenstva, ktoré môže viesť k ťažkým poraneniam alebo usmrteniu.

### POZOR

**POZOR !**

- ▶ Označenie novej nebezpečnej situácie, ktorá môže viesť k telesným poraneniam alebo k vecným škodám.



## 1.2.2 Symboly v návode na používanie

V tomto návode na používanie sa používajú nasledujúce symboly:

	Dodržiavajte návod na používanie
	Upozornenia týkajúce sa používania a iné užitočné informácie
	Zaobchádzanie s recyklovateľnými materiálmi
	Elektrické zariadenia a akumulátory nevyhadzujte do komunálneho odpadu
	<b>Hilti</b> Lítiovo-iónový akumulátor
	<b>Hilti</b> Nabíjačka

## 1.2.3 Symboly na obrázkoch

Na vyobrazeniach sa používajú nasledujúce symboly:

	Tieto čísla odkazujú na príslušné vyobrazenie na začiatku tohto návodu na používanie.
3	Číslovanie na obrázkoch upozorňuje na dôležité pracovné kroky alebo konštrukčné prvky dôležité pre pracovné kroky. V texte sú tieto pracovné kroky alebo komponenty označené príslušnými číslami, napr. (3).
	Čísla pozícií sa používajú v obrázku <b>Prehľad</b> a odkazujú na čísla legendy v odseku <b>Prehľad výrobkov</b> .
	Tento symbol by mal u vás vzbudiť mimoriadnu pozornosť pri zaobchádzaní s výrobkom.

## 1.3 Symboly na výrobkoch

### 1.3.1 Symboly

Na výrobku môžu byť použité nasledujúce symboly:

$n_0$	Menovité voľnobežné otáčky
	Jednosmerný prúd
RPM	Otáčky za minútu
	Priemer
	Pílový kotúč
	Výrobok podporuje bezdrôtový prenos údajov kompatibilný so systémami iOS a Android.
Li-Ion	Lítiovo-iónový akumulátor
	Použitý typový rad lítiovo-iónového akumulátora <b>Hilti</b> . Riadte sa pokynmi v kapitole <b>Používanie v súlade s určeným účelom</b> .
	Akumulátor nikdy nepoužívajte ako nástroj na udieranie alebo zatkanie.
	Nenechajte akumulátor spadnúť. Nepoužívajte akumulátor, ktorý bol vystavený nárazu alebo je inak poškodený.

## 1.4 Informácie o výrobku

Výrobky sú určené pre profesionálneho používateľa a smie ich obsluhovať, vykonávať údržbu a opravovať iba autorizovaný, vyškolený personál. Tento personál musí byť špeciálne poučený o vznikajúcich rizikách a nebezpečenstve. Výrobok a jeho pomocné prostriedky sa môžu stať zdrojom nebezpečenstva



v prípade, že s nimi bude manipulovať personál bez vzdelania, neodborným spôsobom alebo ak sa nebudú používať v súlade s určením.

Typové označenie a sériové číslo sú uvedené na typovom štítku.

- Poznajte si sériové číslo do nasledujúcej tabuľky. Údaje výrobku budete potrebovať pri dopytoch adresovaných nášmu zastúpeniu alebo servisu.

#### Údaje o produkte

Okružná píla	SC 70W-A22
Generácia	01
Sériové číslo	

## 1.5 Vyhlásenie o zhode

Na vlastnú zodpovednosť vyhlasujeme, že tu opísaný výrobok sa zhoduje s nasledujúcimi smernicami a normami. Vyobrazenie vyhlásenia o zhode nájdete na konci tejto dokumentácie.

Technické dokumentácie sú uložené tu:

Hilti Entwicklungsgesellschaft mbH | Zulassung Geräte | Hiltistraße 6 | 86916 Kaufering, DE

## 2 Bezpečnosť

### 2.1 Všeobecné bezpečnostné pokyny a upozornenia pre elektrické náradie

**⚠ VÝSTRAHA** Prečítajte si všetky bezpečnostné upozornenia, pokyny, obrázky a technické údaje týkajúce sa toto elektrického náradia. Nedbalosť pri dodržiavaní uvedených pokynov a pokynov môže mať za následok úraz elektrickým prúdom, požiar a/alebo závažné poranenia.

**Všetky bezpečnostné upozornenia a pokyny si uschovajte pre budúcu potrebu.**

Pojem "elektrické náradie" uvedený v bezpečnostných upozorneniach sa vzťahuje na sieťové elektrické náradie (náradie so sieťovým káblom) alebo na akumulátorové elektrické náradie (bez sieťového kábla).

#### Bezpečnosť na pracovisku

- **Na pracovisku udržiavajte čistotu a dbajte na dostatočné osvetlenie.** Neporiadok na pracovisku a neosvetlené časti pracoviska môžu viesť k úrazom.
- **Nepracujte s elektrickým náradím vo výbušnom prostredí, v ktorom sa nachádzajú horľavé kvapaliny, plyny alebo prach.** Elektrické náradie vytvára iskry, ktoré môžu spôsobiť vznietenie prachu alebo výparov.
- **Pri používaní elektrického náradia dbajte na bezpečnú vzdialenosť detí a iných osôb.** Pri odpútaní pozornosti od práce môžete stratiť kontrolu nad náradím.

#### Elektrická bezpečnosť

- **Pripájacia zástrčka elektrického náradia musí byť vhodná do danej zásuvky. Zástrčka sa nesmie žiadnym spôsobom meniť či upravovať. Spolu s uzemneným elektrickým náradím nepoužívajte žiadne zástrčkové adaptéry.** Nezmienené zástrčky a vhodné zásuvky znižujú riziko úrazu elektrickým prúdom.
- **Zabráňte kontaktu tela s uzemnenými povrchmi ako sú rúry, radiátory alebo vykurovacie telesá, sporáky a chladničky.** Pri uzemnení vášho tela hrozí zvýšené riziko úrazu elektrickým prúdom.
- **Chráňte elektrické náradie pred dažďom či vlhkosťou.** Vniknutie vody do elektrického náradia zvyšuje riziko úrazu elektrickým prúdom.
- **Pripojovací kábel nepoužívajte na účely, na ktoré nie je určený, napr. na prenášanie, zavesenie elektrického náradia či na vyťahovanie zástrčky zo zásuvky. Pripojovací kábel držte v bezpečnej vzdialenosti od tepla, oleja, ostrých hrán alebo pohyblivých častí.** Poškodené alebo spletené pripojovacie káble zvyšujú riziko úrazu elektrickým prúdom.
- **Pri práci s elektrickým náradím vo vonkajšom prostredí používajte iba predlžovacie káble vhodné aj do vonkajšieho prostredia.** Použitie predlžovacieho kábla vhodného do vonkajšieho prostredia znižuje riziko úrazu elektrickým prúdom.
- **Pokiaľ sa nemožno vyhnúť prevádzkovaní elektrického náradia vo vlhkom prostredí, použite prúdový chránič.** Použitie prúdového chrániča znižuje riziko úrazu elektrickým prúdom.

#### Bezpečnosť osôb

- **Pri práci buďte pozorní, dávajte pozor na to, čo robíte a pri práci s elektrickým náradím postupujte s rozvahou.** Elektrické náradie nepoužívajte vtedy, keď ste unavení alebo pod vplyvom drog, alkoholu alebo liekov. Aj moment nepozornosti pri používaní elektrického náradia môže viesť k závažným poraneniam.



- ▶ **Noste prostriedky osobnej ochrannej výbavy a vždy používajte ochranné okuliare.** Nosenie osobnej ochrannej výbavy, ako je maska proti prachu, bezpečnostná obuv s protišmykovou podrážkou, ochranná prilba alebo chrániče sluchu (podľa druhu a použitia elektrického náradia), znižuje riziko poranení.
- ▶ **Zabráňte neúmyselnému uvedeniu do prevádzky. Pred pripojením na elektrické napájanie a/alebo pripojením akumulátora, pred uchopením alebo prenášaním sa uistite, že elektrické náradie je vypnuté.** Ak máte pri prenášaní elektrického náradia prst na spínači alebo ak pripojíte zapnuté náradie na elektrické napájanie, môže to viesť k vzniku úrazov a nehôd.
- ▶ **Pred zapnutím elektrického náradia odstráňte z náradia nastavovacie nástroje alebo kľúče na skrutky.** Nástroj alebo kľúč v otáčajúcej sa časti náradia môže spôsobiť úrazy.
- ▶ **Vyhýbajte sa neprirodzenej polohe a držaniu tela. Pri práci zabezpečte stabilný postoj a neustále udržiavajte rovnováhu.** Budete tak môcť elektrické náradie v neočakávaných situáciách lepšie kontrolovať.
- ▶ **Noste vhodný odev. Nenoste voľný odev alebo šperky. Vlasy, odev a rukavice udržiavajte mimo pohybujúcich sa dielov.** Voľný odev, šperky alebo dlhé vlasy sa môžu zachytiť o pohybujúce sa diely.
- ▶ **Ak je možné namontovať zariadenia na odsávanie a zachytávanie prachu, presvedčte sa, že tieto zariadenia sú pripojené a používajú sa správne.** Použitie zariadenia na odsávanie prachu môže znížiť ohrozenia spôsobené prachom.
- ▶ **Neuspokojte sa pocitom falošnej bezpečnosti a nekonajte v rozpore s bezpečnostnými pravidlami pre elektrické náradie, aj keď máte dostatok skúseností s používaním elektrického náradia.** Nedbalé konanie sa môže v zlomkoch sekundy zmeniť na ťažký úraz.

#### Používanie a starostlivosť o elektrické náradie

- ▶ **Náradie/zariadenie/prístroj nepreťažujte.** Používajte vhodné elektrické náradie určené na prácu, ktorú vykonávate. Vhodné elektrické náradie umožňuje lepšiu a bezpečnejšiu prácu v uvedenom rozsahu výkonu.
- ▶ **Elektrické náradie s poškodeným vypínačom nepoužívajte.** Náradie, ktoré sa nedá zapnúť alebo vypnúť je nebezpečné a treba ho dať opraviť.
- ▶ **Skôr než budete náradie nastavovať, meniť časti jeho príslušenstva alebo než ho odložíte, vyťahnite sieťovú zástrčku zo zásuvky a/alebo vyberte odnímateľný akumulátor.** Toto bezpečnostné opatrenie zabraňuje neúmyselnému spusteniu elektrického náradia.
- ▶ **Nepoužívané elektrické náradie odložte na miesto chránené pred prístupom detí. Nedovoľte používať náradie osobám, ktoré s ním nie sú oboznámené alebo si neprečítali tieto inštrukcie.** Elektrické náradie je pre neskúsených používateľov nebezpečné.
- ▶ **Elektrické náradie a príslušenstvo starostlivo udržiavajte. Skontrolujte, či pohyblivé časti náradia bezchybne fungujú a nezasekávajú sa, či nie sú niektoré časti zlomené alebo poškodené v takom rozsahu, že to ovplyvňuje fungovanie elektrického náradia. Poškodené časti dajte pred použitím náradia opraviť.** Mnohé úrazy sú zapríčinené nesprávne a nedostatočne udržiavaným elektrickým náradím.
- ▶ **Rezacie nástroje udržiajte ostré a čisté.** Starostlivo ošetrované rezacie nástroje s ostrými reznými hranami sa zasekávajú menej a ľahšie sa vedú.
- ▶ **Elektrické náradie, príslušenstvo, vkladacie nástroje atď. používajte v súlade s týmito pokynmi. Zohľadnite pri tom pracovné podmienky a vykonávanú činnosť.** Používanie elektrického náradia na iné než určené použitie môže viesť k nebezpečným situáciám.
- ▶ **Rukoväti a plochy udržiavajte suché, čisté a bez oleja alebo tuku.** Klzké rukoväti a plochy neumožňujú bezpečnú obsluhu a kontrolu elektrického náradia v nepredvídateľných situáciách.

#### Použitie a starostlivosť o akumulátorové náradie

- ▶ **Akumulátory nabíjajte len v nabíjačkách odporúčaných výrobcom.** Ak sa nabíjačka vhodná pre určitý druh akumulátorov používa s inými akumulátormi, hrozí riziko vzniku požiaru.
- ▶ **V elektrickom náradí používajte iba akumulátory, ktoré sú pre náradie určené.** Používanie iných akumulátorov môže viesť k úrazom a nebezpečenstvu požiaru.
- ▶ **Nepoužívaný akumulátor udržiavajte mimo dosahu kancelárskych sponiek, mincí, kľúčov, klincov, skrutiek alebo iných malých kovových predmetov, ktoré by mohli zapríčiniť premostenie kontaktov.** Skrat medzi kontaktmi akumulátora môže mať za následok vznik popálenín alebo požiaru.
- ▶ **Pri nesprávnom používaní môže z akumulátora unikáť kvapalina. Zabráňte kontaktu s ňou. Pri náhodnom kontakte vykonajte opláchnutie vodou. Pri vniknutí kvapaliny do očí dodatočne vyhľadajte lekársku pomoc.** Kvapalina vytekajúca z akumulátora môže spôsobiť podráždenia pokožky alebo popáleniny.
- ▶ **Nepoužívajte poškodené alebo upravené akumulátory.** Poškodené alebo upravené akumulátory sa môžu správať nepredvídateľne a spôsobiť požiar, výbuch alebo zvýšiť riziko úraza.
- ▶ **Akumulátor nevhadzujte do ohňa alebo ho nevystavujte vysokým teplotám.** Oheň alebo teploty nad 130 °C (265 °F) môžu spôsobiť výbuch.



- ▶ **Dodržujte všetky pokyny týkajúce sa nabíjania a akumulátor alebo akumulátorové náradie nena-  
bajte mimo teplotného rozsahu uvedeného v prevádzkovom návode.** Nesprávne nabíjanie alebo  
nabíjanie mimo dovoleného teplotného rozsahu môže zničiť akumulátor alebo zvýšiť riziko požiaru.

#### Servis

- ▶ **Elektrické náradie nechajte opravovať iba kvalifikovaným odborným personálom a iba s použitím  
originálnych náhradných dielov.** Tým sa zabezpečí, že zostane zachovaná bezpečnosť náradia.
- ▶ **Nikdy nevykonávajte údržbu poškodených akumulátorov.** Akúkoľvek údržbu môže vykonávať len  
výrobca alebo autorizované servisné stredisko.

## 2.2 Bezpečnostné pokyny týkajúce sa všetkých píľ

### Proces rezania

- ▶ **⚠ NEBEZPEČENSTVO: Nepribližujte ruky k miestu rezu alebo do blízkosti pilového kotúča. Druhú  
rukou držte prídavnú rukoväť alebo kryt motora.** Ak kotúčovú pílu držíte oboma rukami, pilový kotúč  
ich nemôže poraniť.
- ▶ **Nesiahajte pod obrobok.** Ochranný kryt vás pod obrobkom nemôže chrániť pred pilovým kotúčom.
- ▶ **Hĺbku rezu prispôbte hrúbke obrobku.** Pilový kotúč pod obrobkom by nemal z obrobku vyčnievať  
viac než na jednu plnú výšku zuba.
- ▶ **Pilový obrobok nikdy nepridržiavajte rukou alebo nohou. Obrobok upevnite do stabilného  
upnutia.** Dostatočné upevnenie obrobku je dôležité, aby sa vylúčilo nebezpečenstvo kontaktu s telom  
a minimalizovalo riziko zaseknutia pilového kotúča alebo strata kontroly nad náradím.
- ▶ **Ak vykonávate práce, pri ktorých môže prísť vkladací nástroj do styku so skrytými elektrickými  
vedeniami, dotýkajte sa elektrického náradia len na izolovaných úchopových plochách.** Kontakt  
s elektrickým vedením pod napätím má za následok, že aj kovové časti elektrického náradia budú pod  
napätím a môžu spôsobiť úraz elektrickým prúdom.
- ▶ **Pri pozdĺžnych rezoch vždy používajte paralelný doraz alebo iné vodidlo na vedenie náradia pozdĺž  
hrany obrobku.** Zvyšší sa tým presnosť rezu a zníži možnosť zaseknutia pilového kotúča.
- ▶ **Vždy používajte pilové kotúče správnej veľkosti a s vhodným tvarom upínacieho otvoru (napr.  
hviezdicovitý alebo okrúhly).** Pilové kotúče, ktoré nepasujú k upínacím prvkom píly, majú nepravidelný  
chod (hádzú) a vedú k strate kontroly nad náradím.
- ▶ **Nikdy nepoužívajte poškodené alebo nesprávne podložky alebo skrutky na upevnenie pilového  
kotúča.** Podložky alebo skrutky na upevnenie pilového kotúča sú konštruované špeciálne pre vašu pílu,  
jej optimálny výkon a bezpečnosť prevádzky.

### Spätný ráz – príčiny a príslušné bezpečnostné upozornenia

- Spätný ráz je náhla, prudká reakcia v dôsledku zaseknutého, zablokovaného alebo nesprávne nasmero-  
vaného pilového kotúča, ktorá vedie k tomu, že sa píla nekontrolovaným spôsobom zdvihne a pohybuje  
sa smerom z obrobku k obsluhujúcej osobe;
- ak sa pilový kotúč v uzavierajúcej sa štrbine rezu zasekne alebo skříži, dôjde k zablokovaniu píly a sila  
motora ju vymrští smerom k používateľovi;
- ak sa pilový kotúč v štrbine rezu zadrie alebo skříži, môžu sa zuby zadnej hrany kotúča zaseknúť v povrchu  
obrobku, čím sa pilový kotúč vysunie von zo štrbiny rezu a píla skočí dozadu smerom k používateľovi.

Spätný ráz je dôsledkom nesprávneho alebo chybného používania píly. Možno mu zabrániť vhodnými  
bezpečnostnými opatreniami, ktoré sú opísané ďalej v texte.

- ▶ **Pílu pevne držte obidvomi rukami a ramená majte v takej pozícii, ktorá vám umožní zvládnuť sily  
vznikajúce pri spätnom ráze. Vždy stojte bokom od pilového kotúča, nikdy nedávajte pilový kotúč  
do jednej línie s vaším telom.** Pri spätnom ráze môže kotúčová píla prudko skočiť dozadu, avšak  
obsluha dokáže tieto sily zvládnuť, ak sa vykonajú vhodné opatrenia.
- ▶ **Ak sa pilový kotúč zasekne alebo ak prácu prerušíte, vypnite pílu a držte ju pokojne v materiáli  
dovtedy, kým sa pilový kotúč nezastaví. Nikdy sa nepokúšajte odstrániť pílu z obrobku alebo ju  
ťaháť dozadu, kým sa pilový kotúč pohybuje. Inak môže vzniknúť spätý ráz.** Zistíte a odstráňte  
príčinu zaseknutia pilového kotúča.
- ▶ **Ak pílu, ktorá uviazla v obrobku, chcete opäť spustiť, vystred'te pilový kotúč v štrbine rezu  
a skontrolujte, či nie sú zuby kotúča zaseknuté v obrobku.** Ak sa pilový kotúč zasekol, môže pri  
opakovanom zapnutí píly prudko vyskočiť z obrobku alebo zapríčiniť spätý ráz.
- ▶ **Veľké dosky pred pílením podoprite, aby sa znížilo riziko spätného rázu v dôsledku zaseknutia  
pilového kotúča (pri prehybaní dosky).** Veľké dosky sa vlastnou váhou môžu prehnúť. Dosky sa musia  
podoprieť na obidvoch stranách, tak v blízkosti štrbiny rezu, ako aj na hranách.
- ▶ **Nepoužívajte tupé alebo poškodené pilové kotúče.** Pilové kotúče s tupými alebo nesprávne  
rozvedenými zubami spôsobujú v dôsledku príliš úzkej štrbiny rezu zvýšené trenie, zasekávanie pilového  
kotúča alebo spätný ráz.





- ▶ **Pred rezaním pevne dotiahnite prvky na nastavenie hĺbky a uhla rezania.** Ak sa nastavenia počas rezania zmenia, môže sa pilový kotúč zaseknúť a môže dôjsť k spätnému rázu.
- ▶ **Buďte mimoriadne opatrní pri rezaní do existujúcich stien alebo do iných oblastí, na ktoré nie je možný náhľad.** Pilový kotúč sa pri zarezaní do skrytých objektov môže zablokovať a spôsobiť spätný ráz.

### 2.3 Ďalšie bezpečnostné upozornenia

#### Bezpečnosť osôb

- ▶ **Manipulácie alebo zmeny na náradí nie sú dovolené.**
- ▶ **Náradie vždy pevne držte za určené rukoväti, obidvomi rukami. Rukoväti udržiavajte suché, čisté a bez oleja a tuku.**
- ▶ **Používajte prostriedky na ochranu sluchu.** Pôsobenie hluku môže spôsobiť stratu sluchu.
- ▶ **Ak sa náradie prevádzkuje bez odsávania prachu, musíte pri prácach spojených s tvorbou prachu používať ľahkú masku na ochranu dýchacích ciest.**
- ▶ **Výrobok prevádzkujte len s príslušnými ochrannými zariadeniami.**
- ▶ **Počas práce si robte prestávky, uvoľňovacie cviky a cviky s prstami, kvôli lepšiemu prekrveniu prstov.**
- ▶ **Náradie nie je určené pre slabé osoby bez poučenia.**
- ▶ **Náradie udržiavajte mimo dosahu detí.**
- ▶ **Výrobok zapínajte až na pracovisku.**
- ▶ **Pri skladovaní a preprave náradia odstráňte akumulátor.**
- ▶ **S výrobkom nepracujte nad hlavou.**
- ▶ **Výrobok nebrzdíte bočným tlakom proti pilovému kotúču.**
- ▶ **Línia rezu musí byť bez prekážok. Nerežte skrutky, kince atď.**
- ▶ **Pri spustení náradí sa nedotýkajte upínacej príruby a upínacej skrutky.**
- ▶ **Tlačidlo aretácie vretena nikdy nestláčajte vtedy, keď sa pilový kotúč otáča.**
- ▶ **Náradie nesmerujte na osoby.**
- ▶ **Intenzitu posúvania dopredu prispôbte pilovému kotúču a opracovávanému materiálu tak, aby sa pilový kotúč nezablokoval a aby nespôsobil prípadný spätný ráz.**
- ▶ **Zabráňte prehrievaniu hrotov pilových zubov.**
- ▶ **Pri pílení plastu je potrebné zabrániť taveniu plastu.**
- ▶ **Prach z takých materiálov, ako je náter s obsahom olova, prach z niektorých druhov dreva, betónu/muriva/horniny s obsahom kremeňa a minerálov, ako aj kovu, môže byť zdraviu škodlivý. Dotýkanie sa alebo vdychovanie takéhoto prachu môže vyvolávať alergické reakcie a/alebo ochorenia dýchacích ciest používateľa alebo osôb nachádzajúcich sa v blízkosti. Určitý prach, ako napríklad prach z dubového alebo bukového dreva, sa považuje za rakovinotvorný, predovšetkým v spojení s prísadami na úpravu a ošetrovanie dreva (chromát, prostriedky na ochranu dreva). S materiálom obsahujúcim azbest smú manipulovať len odborníci. **Ak je to možné, použite odsávanie prachu. Kvôli dosiahnutiu vysokého stupňa odsávania prachu používajte vhodné mobilné zariadenie na odstraňovanie prachu. V prípade potreby noste masku na ochranu dýchacích ciest, ktorá je vhodná pre príslušný prach. Postarajte sa o dobré vetranie pracoviska. Dodržiavajte predpisy pre obrábané materiály, ktoré sú platné vo vašej krajine.****
- ▶ **Pred začatím práce si ujasnite triedu nebezpečnosti prachu, ktorý vzniká pri práci. Používajte vysávač na stavebný prach s oficiálne schválenou ochrannou klasifikáciou, zodpovedajúcou vašim lokálnym ustanoveniam o ochrane proti prachu.**
- ▶ **Dodržiavajte národné požiadavky na ochranu zdravia pri práci.**

#### Elektrická bezpečnosť

- ▶ **Pred začatím práce skontrolujte v pracovnej oblasti výskyt skrytých elektrických vedení, plynových a vodovodných potrubí, napr. pomocou detektora kovov.** Vonkajšie kovové časti na náradí sa môžu stať vodivými v prípade, že ste pri práci napríklad neúmyselne poškodili elektrické vedenie. Takáto situácia predstavuje vážne nebezpečenstvo úrazu elektrickým prúdom.

#### Starostlivé zaobchádzanie s akumulátormi a ich používanie

- ▶ **Dodržiavajte osobitné smernice na prepravu, skladovanie a prevádzku lítium-iónových akumulátorov.**
- ▶ **Akumulátory udržiavajte mimo dosahu vysokých teplôt a ohňa.** Hrozí nebezpečenstvo výbuchu.
- ▶ **Akumulátory sa nesmú rozoberať, stláčať, zahrievať nad 80 °C (176 °F) alebo spaľovať.** Inak hrozí nebezpečenstvo požiaru, výbuchu a poleptania.



- ▶ **Poškodené akumulátory (napr. akumulátory s prasklinami, zlomenými časťami, zohnutými, zatlačenými a/alebo vytiahnutými kontaktmi) sa nesmú nabíjať a ani ďalej používať.**
- ▶ **Akumulátory nepoužívajte ako zdroj energie pre iné nešpecifikované spotrebiče.**
- ▶ **Pokiaľ je akumulátor príliš horúci na dotyk, môže byť poškodený. Nástroje postavte na nehorľavé miesto s dostatočnou vzdialenosťou od horľavých materiálov, kde sa dá akumulátor sledovať a nechajte ho ochladnúť. Po ochladnutí akumulátora kontaktujte servis firmy Hilti.**

#### **2.4 Doplnkové bezpečnostné upozornenia – okružné píly**

- ▶ Ručnú okružnú pílu vedzte len v zapnutom stave proti obrobku.
  - ▶ Dráha rezu musí byť rovná a dolu bez prekážok. Nerežte do skrutiek, klinec a podobne.
- ▶ S okružnou pílou nikdy nepracujte nad hlavou.
- ▶ Pílový kotúč nikdy nebrzdíte bočným protitlakom.
- ▶ Zabráňte prehrievaniu hrotov pílových zubov.
- ▶ Na rezaný podklad používajte vždy vhodný pílový kotúč.
- ▶ Používajte výhradne pílové kotúče odporúčané firmou Hilti, ktoré spĺňajú normu EN 847-1.

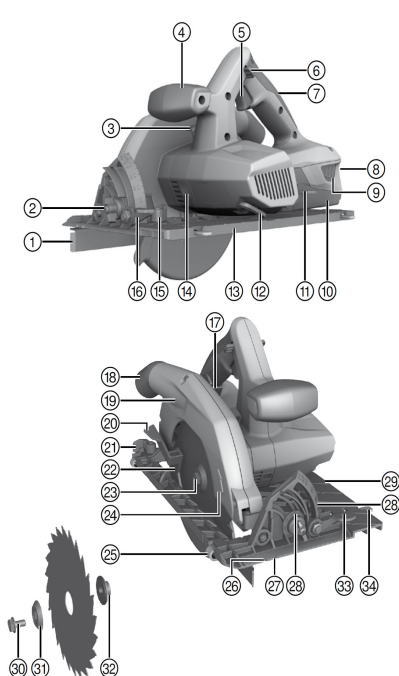
#### **2.5 Starostlivé zaobchádzanie s akumulátormi a ich používanie**

- ▶ Dodržiavajte osobitné smernice na prepravu, skladovanie a prevádzku lítiovo-iónových akumulátorov.
- ▶ Akumulátory udržiavajte mimo dosahu vysokých teplôt, priameho slnečného žiarenia a ohňa.
- ▶ Akumulátory sa nesmú rozoberať, stláčať, zahrievať nad 80 °C (176 °F) alebo spaľovať.
- ▶ Nepoužívajte alebo nenabíjajte akumulátory, ktoré boli zasiahnuté úderom, utrpeli pád z výšky viac ako jeden meter alebo boli iným spôsobom poškodené. V takom prípade vždy kontaktujte **Hilti servis**.
- ▶ Pokiaľ je akumulátor príliš horúci na dotyk, môže byť poškodený. Akumulátor umiestnite na viditeľné, nehorľavé miesto s dostatočnou vzdialenosťou od horľavých materiálov. Nechajte akumulátor vychladnúť. Pokiaľ je akumulátor po hodine stále príliš horúci na dotyk, je poškodený. Kontaktujte **servis Hilti**.



### 3 Opis

#### 3.1 Prehľad výrobku 1



- ① Paralelný doraz jednoramenný
- ② Prednastavený uhol rezu (22,5°, 45°, 50°)
- ③ Aretačné tlačidlo vretena
- ④ Prídavná rukoväť
- ⑤ Vypínač
- ⑥ Blokovanie zapnutia
- ⑦ Rukoväť
- ⑧ Indikátor stavu nabitia a porúch (lítium-iónový akumulátor)
- ⑨ Odisťovacie tlačidlá s doplnkovou funkciou aktivácie indikátora stavu nabitia
- ⑩ Akumulátor
- ⑪ Zvieracia páčka na nastavenie hĺbky rezu
- ⑫ Inbusový kľúč
- ⑬ Malá základná doska
- ⑭ LED osvetlenie
- ⑮ Zvieracia páčka na nastavenie paralelného dorazu vpredu
- ⑯ Zvieracia páčka na nastavenie uhla rezu
- ⑰ Stupnica hĺbky rezu
- ⑱ Pripájací nátrubok (odvod pilín)
- ⑲ Ochranný kryt
- ⑳ Ovládacia páka pre výkyvný ochranný kryt
- ㉑ Upínacia páka na nastavenie paralelného dorazu vzadu (len pre veľkú základnú dosku)
- ㉒ Výkyvný ochranný kryt
- ㉓ Hnacie vreteno
- ㉔ Šípka smeru otáčania
- ㉕ Paralelný doraz dvojramenný
- ㉖ Značka rezu 0°
- ㉗ Značka rezu 45°
- ㉘ Stupnica uhla rezu
- ㉙ Veľká základná doska
- ㉚ Upínacia skrutka
- ㉛ Upínacia príruba
- ㉜ Unášacia príruba
- ㉝ Ryska drážky 0° základná doska
- ㉞ Ryska s označením 1° – 50° od zákl.dosky

#### 3.2 Adaptér pre vodiacu koľajničku 2

- |                                 |                               |
|---------------------------------|-------------------------------|
| ③⑤ Pridržiavací výstupok vzadu  | ③⑦ Ryska drážky 0°            |
| ③⑥ Pridržiavací výstupok vpredu | ③⑧ Ryska s označením 1° – 50° |

#### 3.3 Používanie v súlade s určením

Opisovaný výrobok je akumulátorom napájaná okružná píla. Je určený na rezanie do dreva alebo iných materiálov na báze dreva, plastov, sadrokartónu, sadrových vláknitých dosiek a kompozitných materiálov. Ručná okružná píla je vybavená odoberateľným pripájacím nátrubkom pre voliteľný vysávač, ktorý je dimenzovaný na bežné hadice vysávačov. Na spojenie hadice vysávača s pilou môže byť potrebný vhodný adaptér.

- ▶ Nesmú sa používať pilové kotúče, ktoré nezodpovedajú uvedeným parametrom (napr. priemer, otáčky, hrúbka), rozbrusovacie a brúsne kotúče, ako ani pilové kotúče z vysokolegovanej rýchloreznej (HSS) ocele. Pilou sa nesmú píliť kovy.



- ▶ Výrobok nepoužívajte na odvetvovanie a pílenie stromov.
- ▶ Pre tento výrobok používajte len lítiovo-iónové akumulátory **Hilti** typového radu B 22.
- ▶ Pre tieto akumulátory používajte len nabíjačky **Hilti** radu C4/36.

### 3.4 Indikátor lítium-iónového akumulátora

Stav nabitia lítium-iónového akumulátora a poruchy náradia sú signalizované prostredníctvom indikátora lítium-iónového akumulátora. Stav nabitia lítium-iónového akumulátora sa zobrazí po dotknutí sa jedného z dvoch odistfovacích tlačidiel akumulátora.

Stav	Význam
4 LED svietia.	Stav nabitia: 75 % až 100 %
3 LED svietia.	Stav nabitia: 50 % až 75 %
2 LED svietia.	Stav nabitia: 25 % až 50 %
1 LED svieti.	Stav nabitia: 10 % až 25 %
1 LED bliká, náradie je pripravené na prevádzku.	Stav nabitia: < 10 %
1 LED bliká, náradie nie je pripravené na prevádzku.	Akumulátor je prehriaty alebo úplne vybitý.
4 LED blikajú, náradie nie je pripravené na prevádzku.	Náradie je preťažené alebo prehriate.

- i** Pri aktivovanom ovládacom spínači a do 5 sekúnd po uvoľnení ovládacieho spínača nie je možné vyžiadanie informácie o stave nabitia. Pri blikajúcich LED indikátora akumulátora venujte, prosím, pozornosť upozorneniam v kapitole o pomoci v prípade porúch.

### 3.5 Paralelný doraz

Jednoramenný paralelný doraz umožňuje presné rezy pozdĺž hrany obrobku, resp. rezanie rozmerovo zhodných líšt.

Paralelný doraz možno namontovať na obidve strany základnej dosky.

### 3.6 Rozsah dodávky

Okružná píla, pilový kotúč, inbusový kľúč, paralelný doraz, pripájací nátrubok pre voliteľný vysávač, návod na obsluhu (voliteľne: adaptér pre vodiacu líštu)

- i** Nami schválené náhradné súčiastky, spotrebné materiály a príslušenstvo pre váš výrobok nájdete vo vašom **Hilti Store** alebo na stránke: [www.hilti.group](http://www.hilti.group).

### 3.7 Príslušenstvo

Upínacia príruka, unášacia príruka, upínacia skrutka.

## 4 Technické údaje

### 4.1 Okružná píla

	SC 70W-A22
Menovité napätie	21,6 V
Hmotnosť podľa štandardu EPTA 01	4,8 kg
Predpísaný priemer pilového kotúča	190 mm
Hrúbka základného kotúča	0,7 mm ... 1,5 mm
Šírka rezu	1,5 mm ... 2 mm
Upínací otvor pilového kotúča	30 mm
Menovité voľnobežné otáčky	3 500 ot/min
Maximálna hĺbka rezu 0°	70 mm



	<b>SC 70W-A22</b>
<b>Maximálna hĺbka rezu 45°</b>	51 mm
<b>Maximálna hĺbka rezu 50°</b>	45 mm
<b>Uhol pokosového rezu</b>	0° ... 50°
<b>Prevádzková teplota</b>	-10 °C ... 50 °C
<b>Teplota skladovania (bez akumulátora)</b>	-30 °C ... 70 °C

#### 4.2 Akumulátor

<b>Prevádzkové napätie akumulátora</b>	21,6 V
<b>Teplota okolia počas prevádzky</b>	-17 °C ... 60 °C
<b>Teplota pri skladovaní</b>	-20 °C ... 40 °C
<b>Teplota akumulátora na začiatku nabíjania</b>	-10 °C ... 45 °C

#### 4.3 Informácie o hlučnosti a hodnoty vibrácií zistené podľa normy EN 62841

Hodnoty akustického tlaku a hodnoty vibrácií uvedené v týchto pokynoch boli namerané podľa normované metódy merania a dajú sa použiť na vzájomné porovnávanie elektrického náradia. Sú vhodné aj na predbežný odhad pôsobenia. Uvedené údaje reprezentujú hlavné spôsoby použitia elektrického náradia. Ak sa však elektrické náradie používa na iné účely, s odlišnými vkladacími nástrojmi alebo nemá zabezpečenú dostatočnú údržbu, údaje sa môžu odlišovať. Tým sa môžu podstatne zvýšiť vplyvy v priebehu celého pracovného času. Pri presnom odhadovaní vplyvov by sa mal zohľadniť aj čas, v priebehu ktorého bolo náradie buď vypnuté, alebo síce spustené, ale v skutočnosti nevykonávalo žiadnu prácu. Tým sa môžu vplyvy v priebehu celého pracovného času podstatne znížiť. Určite dodatočné bezpečnostné opatrenia na ochranu obsluhujúcej osoby pred pôsobením hluku a/alebo vibrácií, ako sú napríklad: údržba elektrického náradia a vkladacích nástrojov, udržiavanie správnej teploty rúk, organizácia pracovných procesov.

#### Hodnoty emisií hluku zistené podľa normy EN 62841

	<b>SC 70W-A22</b>
<b>Hladina akustického výkonu (<math>L_{WA}</math>)</b>	103 dB(A)
<b>Neistota pri úrovni akustického výkonu (<math>K_{WA}</math>)</b>	3 dB(A)
<b>Hladina akustického tlaku (<math>L_{pA}</math>)</b>	92 dB(A)
<b>Neistota pri hladine akustického tlaku (<math>K_{pA}</math>)</b>	3 dB(A)

#### Celkové hodnoty vibrácií (súčet vektorov troch smerov), zistené podľa EN 62841

	<b>SC 70W-A22</b>
<b>Hodnota vibrácií rezania do dreva (<math>A_{h, w}</math>)</b>	0,93 m/s <sup>2</sup>
<b>Neistota (K)</b>	1,5 m/s <sup>2</sup>

## 5 Obsluha

### 5.1 Príprava práce

#### 5.1.1 Nabíjanie akumulátora

1. Pred začatím nabíjania si prečítajte návod na používanie nabíjačky.
2. Dbajte, aby kontakty akumulátora a nabíjačky boli čisté a suché.
3. Akumulátor nabíjajte schválenou nabíjačkou. 141

#### 5.1.2 Vloženie akumulátora

#### VAROVANIE

#### Nebezpečenstvo poranenia skratom alebo pádom akumulátora!

- ▶ Pred vložením akumulátora zabezpečte, aby sa na kontaktoch akumulátora a na kontaktoch na výrobku nenachádzali cudzie telesá.
- ▶ Zabezpečte, aby akumulátor vždy správne zapadol.

1. Pred prvým uvedením do prevádzky akumulátor úplne nabite.
2. Zasuňte akumulátor do výrobku tak, aby počuteľne zaskočil.



3. Skontrolujte, či je akumulátor bezpečne vložený.

### 5.1.3 Odstránenie akumulátora

1. Stlačte odblokovacie tlačidlá akumulátora.
2. Vytiahnite akumulátor z náradia.

### 5.1.4 Demontáž pílového kotúča



#### VAROVANIE

**Nebezpečenstvo popálenia a porezania o pílový kotúč, upínaciu skrutku a upínaciu prírubu** Následkom môžu byť popáleniny a rezné poranenia.

- ▶ Pri výmene nástrojov používajte ochranné rukavice.

1. Odstráňte akumulátor.
2. Zložte inbusový kľúč na upínacej skrutke pre pílový kotúč.
3. Stlačte aretačné tlačidlo vretena a držte ho stlačené.
4. Inbusovým kľúčom otáčajte upínaciu skrutku pre pílový kotúč, kým aretačné tlačidlo vretena úplne nezaskočí.
5. Uvoľnite upínaciu skrutku inbusovým kľúčom, otáčaním do smeru šípky pre smer otáčania.
6. Odoberte upínaciu skrutku a vonkajšiu upínaciu prírubu.
7. Výkyvný ochranný kryt odklopením otvorte a odstráňte pílový kotúč.



V prípade potreby sa dá unášacia prírubu na účely čistenia odobrať.

### 5.1.5 Montáž pílového kotúča



#### POZOR

**Nebezpečenstvo poškodenia!** Nevhodné alebo nesprávne nasadené pílové kotúče môžu poškodiť pílu.

- ▶ Používajte len pílové kotúče, ktoré sú pre pílu určené. Dodržiavajte smer otáčania vyznačený šípkou na pílovom kotúči.
- ▶ Používajte len pílové kotúče, ktorých prípustné otáčky sú také vysoké ako maximálne otáčky, ktoré sú uvedené na produkte.



**Presvedčte sa, že nasadzovaný pílový kotúč zodpovedá technickým požiadavkám a je dobre naostrený.** Ostrý pílový kotúč je predpokladom bezchybného rezania píly.

1. Odstráňte akumulátor.
2. Unášaciu a upínaciu prírubu očistite.
3. Nasadte unášaciu prírubu na hnacie vreteno, dbajte pri tom na jej správnu orientáciu.
4. Otvorte výkyvný ochranný kryt.
5. Nasadte nový pílový kotúč.
6. Nasadte vonkajšiu upínaciu prírubu správnym smerom.
7. Nasadte upínaciu skrutku.
8. Zložte inbusový kľúč na upínacej skrutke pre pílový kotúč.
9. Stlačte aretačné tlačidlo vretena.
10. Upevnite upínaciu prírubu upínacou skrutkou, otáčaním inbusového kľúča proti smeru šípky označujúcej smer otáčania.
  - ▶ Aretačné tlačidlo vretena zaskočí.
11. Pred uvedením do prevádzky skontrolujte pevné a správne osadenie pílového kotúča.

### 5.1.6 Nastavenie hĺbky rezu

1. Odstráňte akumulátor.
2. Uvoľnite zvieraciu páčku na nastavenie hĺbky rezu.



- Výrobok nožnicovým pohybom nadvihnite a dotiahnutím upínacej páčky nastavte hĺbku rezu.



Nastavená hĺbka rezu by mala byť vždy o cca 5 až 10 mm väčšia ako hrúbka píleného materiálu. Podľa ukazovateľa na stupnici umiestnenej na opačnej časti ochranného krytu možno odčítať nastavenú hĺbku.

### 5.1.7 Nastavenie uhla rezu

- Odstráňte akumulátor.
- Zvieraciu páčku na nastavovanie uhla rezu povoľte.
- Otočte výrobok do požadovanej polohy.



Prednastavenie uhla rezu umožňuje jednoduché nastavenie maximálneho uhla 22,5°/45°/50°.

- Zvieraciu páčku na nastavenie uhla rezu pevne utiahnite.

### 5.1.8 Rezanie podľa vyznačenej línie



Na prednej základnej doske okružnej píly sa nachádza ukazovateľ s ryskou (0° a 45°) na rovné aj na šikmé rezy. S ním sa podľa zvoleného uhla dá vyhotoviť presný rez. Hrana zárezu zodpovedá vnútornej strane pílového kotúča. Ukazovateľ s ryskou sa nachádza pri prednom výreze pre pílový kotúč.



Obrobok zaistíte proti posunutiu.

Umiestnite obrobok tak, aby pílový kotúč pod obrobkom voľne prebiehal.

Uistite sa, že vypínač na výrobku je vypnutý.

Výrobok priložte základnou doskou na obrobok tak, aby sa pílový kotúč ešte vôbec nedotýkal obrobku.

- Vložte akumulátor.
- Zapnite výrobok stlačením vypínača, pri stlačení blokovaní zapnutia.
- Výrobok vedzte primeraným tempom pozdĺž narysovanej čiary cez obrobok.

### 5.1.9 Montáž/nastavenie paralelného dorazu

- Odstráňte akumulátor.
- Zvieraciu skrutku zaskrutkujte do základnej dosky iba tak, aby bol ešte dostatočný priestor na presunutie paralelného dorazu.
- Obidve vedenia paralelného dorazu zasuňte pod zvieraciu skrutku.
- Nastavte požadovanú šírku rezu.
- Zvieraciu skrutku pevne utiahnite.



Paralelný doraz (jedno/dvojramenný) možno namontovať na obidve strany základnej dosky. Dvojramenný paralelný doraz je použiteľný len pri veľkej základnej doske.

Paralelný doraz umožňuje presné rezy pozdĺž hrany obrobku, resp. pílenie list s rovnakým rozmerom.

### 5.1.10 Montáž adaptéra pre vodiacu koľajničku



Pílu možno vybaviť adaptérom pre vodiacu koľajničku, ktorý je dostupný ako príslušenstvo.

Pri práci s pilami s malou základnou doskou použite adaptér pre vodiacu koľajničku, ktorý sa k nej hodí.

- Odstráňte akumulátor.
- Odstráňte prípadne namontovaný paralelný doraz.
- Zaveďte základnú dosku do bočných pridržiavacích výstupkov adaptéra pre vodiacu koľajničku.
- Vložte základnú dosku celkom do adaptéra pre vodiacu koľajničku.
- Zaistite adaptér pre vodiacu koľajničku tak, že obidva posúvače zatlačíte až na doraz.

## 5.2 Práca

### 5.2.1 Zapnutie

- ▶ Zapnite výrobok stlačením vypínača, pri stlačení blokovaní zapnutia.



### 5.2.2 Vypnutie

- ▶ Náradie zastavte uvoľnením vypínača.

### 5.2.3 Pozdĺžne rezy pri uhle 0° **10**

1. Pilu nasadíte ryskou drážky "0°" na výstupok vodiacej koľajničky.
2. Zapnete výrobok stlačením vypínača, pri stlačení blokovaní zapnutia.
3. Výrobok vedíte primeraným tempom pozdĺž koľajničky cez obrobok.

### 5.2.4 Pozdĺžne rezy pri uhloch do 50° **11**

1. Nastavte uhol.

#### **VAROVANIE**

**Nebezpečenstvo kolízie pri šikmom reze** Kolízia pilového kotúča s vodiacou koľajničkou.

- ▶ Pilu nasadíte správnu drážku na výstupok vodiacej koľajnice. Inak dôjde ku kolíziám pilového kotúča s vodiacou koľajničkou.

2. Pilu nasadíte ryskou drážky "1° – 50°" na výstupok vodiacej koľajničky.
3. Zapnete výrobok stlačením vypínača, pri stlačení blokovaní zapnutia.
4. Výrobok vedíte primeraným tempom pozdĺž koľajničky cez obrobok.

### 5.2.5 Vytvorenie plochých uhlových rezov **12**

1. Vodiacu koľajničku nulovým bodom položte na hranu obrobku a koľajničku otáčajte, kým požadovaný uhol rezu na uhlovej stupnici neleží oproti nulovému bodu. Zobrazený uhol rezu udáva uhol, o ktorý sa rez odchýľuje od rovného pravouhlého rezu.
2. Vodiacu koľajničku zafixujte dvoma upínacími svorkami.
3. Pilu nasadíte ryskou drážky "0°" na výstupok vodiacej koľajničky.
4. Zapnete výrobok stlačením vypínača, pri stlačení blokovaní zapnutia.
5. Výrobok vedíte primeraným tempom pozdĺž koľajničky cez obrobok.

### 5.2.6 Pílenie bez odsávania pilín

1. Dbajte na to, aby piliny boli voľne odvádzané.
2. V prípade potreby možno pripájací nátrubok odobrať po uvoľnení inbusovej skrutky pomocou inbusového kľúča nachádzajúceho sa na výrobku.

## 6 Starostlivosť a údržba/oprava

#### **VAROVANIE**

**Nebezpečenstvo poranenia pri vložení akumulátore !**

- ▶ Pred akoukoľvek údržbou a opravami vždy vyberte akumulátor!

#### Starostlivosť o výrobok

- Opatrne odstráňte pevne usadené nečistoty.
- Ak sú k dispozícii, vetracie štrbiny opatrne vyčistite suchou, mäkkou kefkou.
- Kryt vyčistite len mierne navlhčenou handrou. Nepoužívajte prostriedky na ošetrovanie obsahujúce silikón, pretože môžu poškodiť plastové časti.
- Na čistenie kontaktov na výrobku použite čistú, suchú handru.

#### Starostlivosť o lítiovo-iónové akumulátory

- Akumulátor nikdy nepoužívajte s upchatými vetracími štrbinami. Vetracie štrbiny opatrne vyčistite suchou, mäkkou kefkou.
- Vyvarujte sa zbytočného vystavovania akumulátora prachu alebo nečistotám. Akumulátor nikdy nevystavujte vysokej vlhkosti (napr. neponorte do vody alebo nenechajte stáť v daždi). Ak sa akumulátor premočil, postupujte ako pri poškodenom akumulátore. Dajte ho do nehorľavej nádoby a obráťte sa na servis **Hilti**.
- Akumulátor udržiavajte čistý a zbavený cudzieho oleja a tuku. Nedovoľte, aby sa na akumulátore zbytočne nahromadil prach a nečistoty. Akumulátor vyčistite suchou, mäkkou kefkou alebo čistou, suchou handrou. Nepoužívajte prostriedky na ošetrovanie obsahujúce silikón, pretože môžu poškodiť plastové časti. Nedotýkajte sa kontaktov akumulátora a neodstraňujte z nich tuk aplikovaný z výroby.





- Kryt vyčistíte len mierne navlhčenou handrou. Nepoužívajte prostriedky na ošetrovanie obsahujúce silikón, pretože môžu poškodiť plastové časti.

## Údržba a oprava

### **VAROVANIE**

**Nebezpečenstvo zásahu elektrickým prúdom!** Neodborné opravy na elektrických častiach môžu viesť k závažným poraneniam a popáleninám.

- ▶ Opravy elektrických častí smie vykonávať iba školený elektromechanik.
- Pravidelne kontrolujte všetky viditeľné časti, či nie sú poškodené a ovládacie prvky, či správne fungujú.
- V prípade poškodenia a/alebo poruchy funkcie výrobok nepoužívajte. Výrobok nechajte neodkladne opraviť v servisnom stredisku **Hilti**.
- Po prácach spojených so starostlivosťou a udržiavaním výrobku pripevnite všetky ochranné zariadenia a skontrolujte ich bezchybné fungovanie.



Na bezpečnú prevádzku používajte len originálne náhradné súčiastky, spotrebné materiály a príslušenstvo. Firmou **Hilti** schválené náhradné súčiastky, spotrebné materiály a príslušenstvo pre váš výrobok nájdete vo vašom **Hilti Store** alebo na stránke: [www.hilti.group](http://www.hilti.group)

### 6.1 Čistenie ochranného zariadenia

1. Kvôli vyčisteniu ochranného zariadenia odstráňte pilový kotúč.
2. Ochranné zariadenia opatrne očistite suchou kefou.
3. Vhodným nástrojom odstráňte usadeniny a piliny vo vnútri ochranných zariadení.
4. Namontujte pilový kotúč.

### 6.2 Úkony pri upchatom kanáliku na piliny

1. Odstráňte akumulátor.
2. Vyčistite kanál na triesky.



V prípade potreby je nevyhnutné demontovať pilový kotúč. 144

3. Skontrolujte, či pohyblivé časti náradia bezchybne fungujú a nezasekávajú sa, či nie sú jeho časti zlomené alebo poškodené tak, že by to ovplyvnilo fungovanie výrobku.

### 6.3 Kontrola po vykonaní údržby a opráv



Po vykonaní údržby a opráv skontrolujte, či sú pripravené všetky ochranné zariadenia a či bezchybne fungujú.

- ▶ Aby ste skontrolovali výkyvný ochranný kryt, úplne ho otvorte stlačením ovládacej páky.
  - ▶ Po uvoľnení ovládacej páky sa musí výkyvný ochranný kryt rýchlo a úplne zatvoriť.

## 7 Preprava a skladovanie

### Preprava akumulátorového náradia a akumulátorov

#### **POZOR**

**Neúmyselné spustenie pri preprave !**

- ▶ Produkty vždy prepravujte bez vložených akumulátorov!
- ▶ Vyberte akumulátor/akumulátory.
- ▶ Akumulátory nikdy neprepravujte voľne položené. Počas prepravy by sa mali akumulátory chrániť nadmerným nárazom a vibráciám a izolovať od vodivých materiálov alebo iných akumulátorov, aby neprišli do styku s opačným pólom batérie a nedošlo ku skratu. **Dodržiavajte miestne prepravné predpisy pre akumulátory.**
- ▶ Akumulátory sa nesmú posilať poštou. Ak chcete zaslať nepoškodené akumulátory, obráťte sa na kuriérsku službu.
- ▶ Výrobok a akumulátory skontrolujte pred každým použitím, ako aj pred a po dlhšej preprave, či nie sú poškodené.



**VAROVANIE**
**Náhodné poškodenie spôsobené chybnými alebo vytekajúcimi akumulátormi !**

- ▶ Produkty vždy skladujte bez vložených akumulátorov!
- 
- ▶ Výrobok skladujte v chlade a suchu. Dodržiavajte medzné hodnoty teploty, ktoré sú uvedené v technických údajoch.
  - ▶ Neuschovávajte akumulátory na nabíjačke. Po nabíjaní akumulátor vždy vyberte z nabíjačky.
  - ▶ Akumulátory nikdy neskladujte na slnku, na vykurovacom telese alebo za oknami.
  - ▶ Výrobok a akumulátory skladujte mimo dosahu detí a nepovolaných osôb.
  - ▶ Výrobok a akumulátory skontrolujte pred každým použitím, ako aj pred a po dlhšom skladovaní, či nie sú poškodené.

## 8 Pomoc v prípade porúch

- ▶ Pri výskyte takých porúch, ktoré nie sú uvedené v tejto tabuľke, alebo ktoré nedokázate odstrániť sami, sa obráťte na náš servis **Hilti**.

### 8.1 Okružná píla nie je funkčná

Porucha	Možná príčina	Riešenie
LED nič nesignalizujú.	Akumulátor nie je úplne zasunutý.	▶ Vložte akumulátor.
	Akumulátor je vybitý.	▶ Nabite akumulátor.
	Akumulátor je príliš horúci alebo príliš studený.	▶ Zaistite, aby mal akumulátor správnu teplotu.
Bliká 1 LED-dióda.	Akumulátor je vybitý.	▶ Nabite akumulátor.
	Akumulátor je príliš horúci alebo príliš studený.	▶ Zaistite, aby mal akumulátor správnu teplotu.
Blikajú 4 LED.	Okružná píla bola krátkodobo preťažena.	▶ Uvoľnite vypínač a opäť ho stlačte.
	Ochrana proti prehriatiu.	▶ Nechajte okružnú pílu ochladnúť a vyčistite štrbiny slúžiace na odvetrávanie.

### 8.2 Okružná píla je funkčná

Porucha	Možná príčina	Riešenie
Vypínač sa nedá stlačiť alebo je zablokovaný.	Žiadna chyba (bezpečnostná funkcia).	▶ Stlačte blokovanie zapnutia.
Otáčky naraz prudko poklesnú.	Akumulátor je vybitý.	▶ Nabite akumulátor.
	Príliš veľká intenzita posúvania dopredu.	▶ Zmenšite silu vynakladanú na posúvanie dopredu a opäť zapnite výrobok.
Pílina sa netransportujú do nádoby na piliny a padajú na základnú dosku.	Nádobka na piliny je plná.	▶ Vyprázdňte nádobku na piliny.
	Kanáľ na triesky je upchatý.	▶ Vyčistite kanál na triesky. 147
Pílový kotúč zostane stáť.	Príliš veľká intenzita posúvania dopredu.	▶ Zmenšite silu vynakladanú na posúvanie dopredu a opäť zapnite výrobok.
Akumulátor sa vybíja rýchlejšie ako zvyčajne.	Stav akumulátora nie je optimálny.	▶ Vymeňte akumulátor.
Akumulátor nezaskočí s počutelným "dvojitém zacvaknutím".	Zaskakovacie výčnelky na akumulátore sú znečistené.	▶ Vyčistite zaskakovacie výčnelky a akumulátor zasuňte a nechajte zaskočiť. Ak problém pretrváva, obráťte sa na servis <b>Hilti</b> .



Porucha	Možná příčina	Riešenie
Intenzívne vytváranie tepla v okružnej píle alebo v akumulátore.	Elektrická porucha	► Okružnú pílu okamžite vypnite. Vyberte akumulátor a prezrite ho. Nechajte akumulátor ochladnúť. Kontaktujte servis firmy <b>Hilti</b> .
	Výrobok bol preťažený (bola prekročená hranica používania).	► Zvoľte náradie vhodné na daný spôsob používania.
Píla silno vibruje.	Pílový kotúč je nesprávne namontovaný.	► Namontujte správne pílový kotúč. 144

## 9 Likvidácia

### VAROVANIE

**Nebezpečenstvo poranenia pri nesprávnej likvidácii!** Ohrozenie zdravia spôsobené unikajúcimi plynmi alebo kvapalinami.

- Poškodené akumulátory neposielajte!
- Pripojky zakryte nevodivým materiálom, aby ste zabránili skratom.
- Akumulátory likvidujte tak, aby sa nedostali do rúk detí.
- Akumulátor odovzdajte vo vašom **Hilti Store** alebo sa obráťte na príslušnú prevádzku na likvidáciu odpadu.

Výrobky značky **Hilti** sú z veľkej časti vyrobené z recyklovateľných materiálov. Predpokladom na opakované využitie recyklovateľných materiálov je ich správne separovanie. V mnohých krajinách firma **Hilti** odoberie vaše staré zariadenie na recykláciu. Informujte sa v zákazníckom servise **Hilti** alebo u svojho obchodného poradcu.



- Elektrické prístroje, elektronické zariadenia a akumulátory nedávajte do domáceho odpadu!

## 10 RoHS (smernica o obmedzení používania určitých látok v elektrických a elektro-nických zariadeniach)

Pod nasledujúcim odkazom nájdete tabuľku nebezpečných látok: [qr.hilti.com/r2937785](http://qr.hilti.com/r2937785).

Odkaz na tabuľku RoHS nájdete na konci tejto dokumentácie ako QR kód.

## 11 Záruka výrobcu

- Ak máte akékoľvek otázky týkajúce sa záručných podmienok, obráťte sa, prosím, na vášho lokálneho partnera spoločnosti **Hilti**.

## Orijinal kullanim kılavuzu

### 1 Kullanım kılavuzu bilgileri

#### 1.1 Bu kullanım kılavuzu hakkında

- Aleti çalıştırmadan önce bu kullanım kılavuzunu mutlaka okuyunuz. Bu, güvenli çalışma ve arızasız kullanım için ön koşuldur.
- Bu kullanım kılavuzunda ve ürün üzerinde bulunan emniyet ve uyarı bilgilerine dikkat ediniz.
- Kullanım kılavuzunu her zaman ürün üzerinde bulundurunuz ve ürünü sadece bu kullanım kılavuzu ile birlikte başka kişilere veriniz.

#### 1.2 Resim açıklaması

##### 1.2.1 Uyarı bilgileri

Uyarı bilgileri, ürün ile çalışırken ortaya çıkabilecek tehlikelere karşı uyarır. Aşağıdaki uyarı metinleri kullanılır:



**⚠ TEHLİKE****TEHLİKE !**

► Ağır vücut yaralanmalarına veya doğrudan ölüme sebep olabilecek tehlikeler için.

**⚠ İKAZ****İKAZ !**






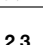
► Ağır yaralanmalara veya ölüme neden olabilecek tehlikeler için.

**⚠ DİKKAT****DİKKAT !**

► Vücut yaralanmalarına veya maddi hasarlara yol açabilecek olası tehlikeli durumlar için.



**1.2.2 Kullanım kılavuzundaki semboller**

Bu kullanım kılavuzunda aşağıdaki semboller kullanılmıştır:

	Kullanım kılavuzuna dikkat edilmelidir
	Kullanım uyarıları ve diğer gerekli bilgiler
	Geri dönüşümlü malzemeler ile çalışma
	Elektrikli aletleri ve aküleri evdeki çöplere atmayınız
	<b>Hilti</b> Lityum İyon akü
	<b>Hilti</b> Şarj cihazı

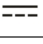


**1.2.3 Çizimlerdeki semboller**

Çizimlerde aşağıdaki semboller kullanılmıştır:




<b>2</b>	Bu sayılar, kullanım kılavuzunun başlangıcındaki ilgili çizime atanmıştır.
3	Çizimlerdeki numaralandırma, önemli çalışma adımlarını veya çalışma adımları için önemli olan yapı parçalarını gösterir. Metinde, bu çalışma adımları veya yapı parçasına karşılık gelen sayılarla vurgulanmıştır, örn. <b>(3)</b> .
	Pozisyon numaraları <b>Genel bakış</b> çiziminde kullanılır ve <b>Ürüne genel bakış</b> bölümündeki açıklama numaralarına referans niteliğindedir.
	Bu işaret, ürün ile çalışırken dikkatinizi çekmek için koyulmuştur.

**1.3 Ürüne bağlı semboller****1.3.1 Semboller**

Üründe aşağıdaki semboller kullanılabilir:

$n_0$	Ölçüm rölaneti devir sayısı
	Doğru akım
RPM	Dakika başına devir
$\emptyset$	Çap
	Testere bıçağı
	Ürün, iOS ve Android platformları ile uyumlu kablosuz veri aktarımını destekler.



Li-Ion	Lityum İyon akü
	Kullanılan <b>Hilti</b> Lityum İyon akü tip serisi. <b>Usulüne uygun kullanım</b> bölümündeki bilgileri dikkate alın.
	Aküyü asla darbe aleti olarak kullanmayınız.
	Aküyü düşürmeyiniz. Darbe almış veya hasar görmüş bir aküyü kullanmayınız.

#### 1.4 Ürün bilgileri

**HILTI** ürünleri profesyonel kullanıcıların kullanımı için öngörülmüştür ve sadece yetkili personel tarafından kullanılabilir ve bakımı yapılabilir. Bu personel, meydana gelebilecek tehlikeler hakkında özel olarak eğitim görmüş olmalıdır. Aletin ve ilgili yardımcı gereçlerin eğitimsiz personel tarafından usulüne uygun olmayan şekilde kullanılması ve amaçları dışında çalıştırılması sonucu tehlikeli durumlar söz konusu olabilir. Tip tanımı ve seri numarası, tip plakası üzerinde belirtilmiştir.

- Seri numarasını aşağıdaki tabloya aktarınız. Ürün bilgileri acente veya servis merkezini aradığınızda sorulabilir.

##### Ürün bilgileri

Daire testere	SC 70W -A22
Nesil	01
Seri no.	

#### 1.5 Uygunluk beyanı

Burada tanımlanan ürünün, geçerli yönetmeliklere ve normlara uygun olduğunu kendi sorumluluğumuzda beyan ederiz. Bu dokümantasyonun sonunda uygunluk beyanının bir kopyasını bulabilirsiniz.

Teknik dokümantasyonlar eklidir:

Hilti Entwicklungsgesellschaft mbH | Zulassung Geräte | Hiltistraße 6 | 86916 Kaufering, DE

## 2 Güvenlik

### 2.1 Elektrikli el aletleri için genel güvenlik uyarıları

**⚠ İKAZ** Bu elektrikli el aletine yönelik tüm güvenlik uyarılarını, talimatları, resimli açıklamaları ve teknik verileri dikkatlice okuyunuz. Aşağıdaki talimatlara uyulmaması durumunda elektrik çarpması, yangın ve/veya ağır yaralanmalar söz konusu olabilir.

**Tüm güvenlik uyarılarını ve kullanım talimatlarını muhafaza ediniz.**

Güvenlik uyarılarında kullanılan "Elektrikli el aleti terimi, şebeke işletimli elektrikli el aletleri (şebeke kablosu ile) veya akü işletimli elektrikli el aletleri (şebeke kablosu olmadan) ile ilgilidir.

#### İş yeri güvenliği

- **Çalışma alanınızı temiz ve aydınlık tutunuz.** Düzensiz veya aydınlatma olmayan çalışma alanları kazalara yol açabilir.
- **Yanıcı sıvıların, gazların veya tozların bulunduğu patlama tehlikesi olan yerlerde elektrikli el aleti ile çalışmayınız.** Elektrikli el aletleri, toz veya buharı yakabilecek kıvılcım oluşturur.
- **Elektrikli el aletini kullanırken çocukları ve diğer kişileri uzak tutunuz.** Dikkatiniz dağılırsa aletin kontrolünü kaybedebilirsiniz.

#### Elektrik güvenliği

- **Elektrikli el aletin bağlantı fişi prize uygun olmalıdır. Fiş hiçbir şekilde değiştirilmemelidir. Adaptör fişini topraklama korumalı elektrikli el aletleri ile birlikte kullanmayınız.** Değiştirilmemiş fişler ve uygun prizler elektrik çarpması riskini azaltır.
- **Borular, radyatörler, fırınlar ve buzdolapları gibi toprağa temas eden üst yüzeylere vücudunuzla temas etmekten kaçınınız.** Vücudunuzun toprakla teması var ise yüksek bir elektrik çarpması riski söz konusudur.
- **Elektrikli el aletini yağmurdan veya ıslaklıktan uzak tutunuz.** Elektrikli el aletine su girmesi, elektrik çarpması riskini artırır.



- ▶ **Elektrikli el aletini taşımak, asmak veya fişi prizden çekmek için bağlantı kablosunu kullanım amacı dışında kullanmayınız.** Bağlantı kablosunu sıcaktan, yağdan, keskin kenarlardan ve hareketli parçalardan uzak tutunuz. Hasarlı veya dolanmış bağlantı kabloları elektrik çarpması riskini artırır.
- ▶ **Elektrikli bir el aleti ile açık alanda çalışacaksanız, sadece dışarda kullanımına izin verilen uzatma kabloları kullanınız.** Dış mekanlar için uygun olan uzatma kablolarının kullanılması elektrik çarpması riskini azaltır.
- ▶ **Elektrikli el aleti işletiminin nemli ortamda yapılması kaçınılmaz ise bir kaçak akım koruma şalteri kullanınız.** Bir kaçak akım koruma şalterinin kullanımı elektrik çarpması riskini azaltır.

#### **Kişilerin güvenliği**

- ▶ **Dikkatli olunuz, ne yaptığınıza dikkat ediniz ve elektrikli el aleti ile mantıklı bir şekilde çalışınız.** Yorgunsanız veya uyuşturucu, alkol veya ilaç etkisi altında olduğunuzda elektrikli el aleti kullanmayınız. Elektrikli el aletini kullanırken bir anlık dikkatsizlik ciddi yaralanmalara neden olabilir.
- ▶ **Kişisel koruyucu donanım ve her zaman bir koruyucu gözlük takınız.** Elektrikli el aletinin türüne ve kullanımına göre toz maskesi, kaymayan güvenlik ayakkabısı, koruyucu kask veya kulaklık gibi kişisel koruyucu donanımların kullanılması yaralanma riskini azaltır.
- ▶ **İstem dışı çalışmayı önleyiniz. Güç kaynağına ve/veya aküyü bağlamadan, girişini yapmadan veya taşımadan önce elektrikli el aletinin kapalı olduğundan emin olunuz.** Elektrikli el aletini taşırken parmağınız şalterde ise veya alet açık konumda güç kaynağına takılırsa bu durum kazalara yol açabilir.
- ▶ **Elektrikli el aletini devreye almadan önce ayar aletlerini veya vidalama anahtarlarını çıkartınız.** Dönen bir alet parçasında bulunan bir alet veya anahtar yaralanmalara yol açabilir.
- ▶ **Aşırı bir vücut hareketinden sakınınız. Güvenli bir duruş sağlayınız ve her zaman dengeli tutunuz.** Böylece beklenmedik durumlarda elektrikli el aletini daha iyi kontrol edebilirsiniz.
- ▶ **Uygun kıyafetler giyiniz. Bol kıyafetler giymeyiniz veya takı takmayınız. Saçları, kıyafetleri ve eldivenleri hareket eden parçalardan uzak tutunuz.** Bol kıyafetler, takı veya uzun saçlar hareket eden parçalara takılabilir.
- ▶ **Toz emme ve tutma tertibatları monte edilebiliyorsa bunların bağlı olduğundan ve doğru kullanıldığından emin olunuz.** Bu toz emme tertibatının kullanımı tozdan kaynaklanabilecek tehlikeleri azaltabilir.
- ▶ **Kendi güvenliğinizi riske atmayınız ve elektrikli el aletleri kullanımında son derece tecrübeli olsanız bile ilgili güvenlik kurallarını ihlal etmeyiniz.** Dikkatsiz kullanım saniyeler içerisinde ciddi yaralanmalara neden olabilir.

#### **Elektrikli el aletinin kullanımı ve çalıştırılması**

- ▶ **Aleti çok fazla zorlamayın. Çalışmanız için uygun olan elektrikli el aletini kullanın.** Uygun elektrikli el aleti ile bildirilen hizmet alanında daha iyi ve güvenli çalışsınız.
- ▶ **Şalteri bozuk olan elektrikli el aletini kullanmayınız.** Açılıp kapatılmayan bir elektrikli el aleti tehlikelidir ve tamir edilmesi gerekir.
- ▶ **Alet ayarlarını yapmadan, aksesuar parçalarını değiştirmeden veya aleti bir yere koymadan önce fişi prizden ve/veya (çıkarılabilir) aküyü aletten çıkarınız.** Bu önlem, elektrikli el aletinin istem dışı çalışmasını engeller.
- ▶ **Kullanılmayan elektrikli el aletlerini çocukların erişemeyeceği yerde muhafaza edin. Aleti iyi tanımayan veya bu talimatları okumamış kişilere aleti kullanırmayınız.** Elektrikli el aletleri bilgisiz kişiler tarafından kullanılırsa tehlikelidir.
- ▶ **Elektrikli el aletlerinin ve aksesuarlarının bakımını titizlikle yapınız. Hareketli parçaların kusursuz çalıştığı ve sıkıştığı, parçaların kırılıp kırılmadığı veya hasar görüp görmediği, elektrikli el aleti fonksiyonlarının kısıtlanma durumlarını kontrol ediniz. Hasarlı parçaları aleti kullanmadan önce tamir ettiriniz.** Birçok kazanın nedeni bakımı kötü yapılan elektrikli el aletleridir.
- ▶ **Kesme aletlerini keskin ve temiz tutun.** Özenle bakımı yapılmış keskin bıçak kenarı olan kesme aletleri daha az sıkışır ve kullanımı daha rahattır.
- ▶ **Elektrikli el aletini, aksesuarları, ek aletleri vb. bu talimatlara göre kullanın. Çalışma şartlarını ve yapılacak işi de ayrıca göz önünde bulundurun.** Elektrikli el aletlerinin öngörülen kullanımı dışında kullanılması tehlikeli durumlara yol açabilir.
- ▶ **Tutamağı ve tutamak yüzeylerini daima temiz ve yağ ve gresten arındırılmış durumda tutunuz.** Kaygan tutamaklar ve tutamak yüzeyleri güvenli bir kullanımı ve öngörülemeyen durumlarda elektrikli el aletinin kontrolünü engeller.

#### **Akülü el aletinin kullanımı ve çalıştırılması**

- ▶ **Aküleri sadece üretici tarafından tavsiye edilen şarj cihazları ile şarj ediniz.** Belirli bir akü için uygun olan bir şarj cihazı, başka akülerle kullanılırsa yanma tehlikesi vardır.
- ▶ **Elektrikli el aletlerinde sadece bunun için öngörülen aküler kullanılmalıdır.** Başka akülerin kullanılması yaralanmalara ve yanma tehlikelerine yol açabilir.



- Kullanılmayan aküleri, kontakların köprülenmesine sebep olabilecek ataçlar, madeni paralar, anahtarlar, çiviler, vidalar veya diğer küçük metal cisimlerden uzak tutunuz. Akü kontakları arasındaki kısa devre yanmalara veya alev oluşumuna sebep olabilir.
- Yanlış kullanımda aküden sıvı çıkabilir. Bunlar ile teması öneliniz. Yanlışlıkla temasta su ile durulayınız. Sıvı gözle temas ederse ayrıca doktor yardımı isteyiniz. Dışarı akan akü sıvısı cilt tahrişine ve yanmalara yol açabilir.
- Hasarlı veya değiştirilmiş aküleri kullanmayınız. Hasarlı veya değiştirilmiş aküler öngörülemez şekilde yangın, patlama veya yaralanma tehlikesi içeren tutumlara neden olabilir.
- Aküleri açık ateş yakınına koymayınız veya yüksek sıcaklıklara maruz bırakmayınız. Açık ateş veya 130°C'nin (265°F) üzerinde sıcaklıklar patlama tehlikesine neden olabilir.
- Tüm şarj talimatlarına uyunuz ve aküyü veya akülü aleti kullanım kılavuzunda öngörülen sıcaklık aralığının dışında şarj etmeyiniz. Hatalı şarj veya öngörülen sıcaklık aralığının dışındaki şarj işlemleri akünün zarar görmesine ve yangın tehlikesine neden olabilir.

### Servis

- Elektrikli el aletinizi sadece kalifiye uzman personele ve sadece orijinal yedek parçalar ile tamir ettiriniz. Böylece aletin güvenliğini korunduğundan emin olunur.
- Hasarlı aküleri bakım yapmayınız. Aküleri yönelik tüm bakım çalışmaları sadece üretici veya yetkili müşteri hizmetleri tarafından yapılmalıdır.

## 2.2 Tüm kesme işlemleri için güvenlik uyarıları

### Kesme yöntemi

- **⚠ TEHLİKE:** Ellerinizi kesme alanı ve testere bıçağı bölümüne getirmeyiniz. Diğer elinizle ilave tutamağı veya motor gövdesini tutunuz. Testereyi her iki elinizle tutarsanız, testere bıçağı ellerinizi yaralayamaz.
- İşlenen parçanın altına elinizi sokmayınız. İş parçası altındaki koruma başlığı sizi testere bıçağından koruyamaz.
- Kesme derinliğini işlenen parçanın kalınlığına göre ayarlayınız. İş parçasının altında tam bir diş yüksekliğinden daha az bir mesafe görülmelidir.
- Kesilecek olan iş parçasını asla elinizde veya bacağınızın üstünde tutmayınız. İş parçasını sağlam bir yuvada emniyete alınız. Vücut ile temas, testere bıçağının sıkışması veya kontrolün kaybedilmesi tehlikesinin önlenmesi için iş parçası çok emniyetli bir şekilde sabitlenmelidir.
- Ek aletin bükülmüş elektrik hatlarına denk gelme riskinin olduğu çalışmalarda, elektrikli el aletini sadece izole edilmiş tutamak yüzeylerinden tutunuz. Elektrik ileten bir hat ile temasta elektrikli aletin metal parçaları da gerilim altında kalır ve elektrik çarpmasına neden olur.
- Uzunlamasına kesimde her zaman bir destek veya düz bir kenar kılavuzu kullanınız. Bunlar kesimin daha düzgün olmasını sağlar ve testere bıçağının sıkışma ihtimalini azaltır.
- Testere bıçaklarını daima doğru büyüklükte ve doğru bağlantı deliği (örneğin yıldız biçimli veya yuvarlak) ile kullanınız. Testerenin montaj parçalarına uymayan testere bıçakları düz bir şekilde çalışmaz ve kontrolün kaybedilmesine neden olur.
- Hasarlı veya yanlış testere bıçağı pulları veya civataları kullanılmamalıdır. Testere bıçağı pulları ve civataları testerenizin optimum güç ve çalışma güvenliği sağlaması için özel olarak tasarlanmıştır.

### Geri tepme - Nedenleri ve ilgili güvenlik uyarıları

- Geri tepme; takılan, sıkışan ya da yanlış hizalanmış bir testere bıçağının testereyi kontrolsüz şekilde kaldırmasına ve kullanıcı yönünde iş parçasından dışarı doğru hareket etmesine neden olan ani bir reaksiyondur;
- Testere bıçağı kapanan testere aralığında takılırsa ya da sıkışırsa, bloke olur ve motor gücü, testereyi kullanıcı yönünde geriye iter;
- Testere bıçağı kesme sırasında dönerse ya da yanlış hizalanırsa, arkadaki testere bıçağı kenarının dışları iş parçasının yüzeyine takılır; bunun sonucunda testere bıçağı testere aralığından dışarı hareket eder ve testere, kullanıcı yönünde geriye sıçar.

Testerenin yanlış veya hatalı kullanılması sonucunda geri tepme meydana gelir. Aşağıda tanımlanan özel önlemler alınarak geri tepme engellenebilir.

- Testereyi iki elinizle sıkıca tutunuz ve vücudunuzu ve kollarınızı geri tepmelere karşı koyabileceğiniz şekle getiriniz. Testere bıçağının yanında durunuz, testere bıçağını asla vücudunuz ile temas edecek yöne getirmeyiniz. Bir geri tepme durumunda daire testere geriye sıçrayabilir, fakat aleti kullanan kişi gerekli önlemleri aldıysa, geri tepmelerde kontrolü sağlayabilir.
- Testere bıçağı sıkışırsa veya çalışmaya ara vermeniz gerekirse, testereyi kapatınız ve testere hareketsiz hale gelene kadar aleti sabit tutunuz. Testere bıçağı hareket ettiği veya geri teptiği



sürece testereyi hiçbir zaman iş parçasından çıkarmayı denemeyiniz veya geriye doğru çekmeyiniz. Testere bıçağının sıkışma nedenini belirleyiniz ve gideriniz.

- ▶ **İşlenen parça içindeki testereyi tekrar çalıştırmak istiyorsanız, testere bıçağını testere boşluğunda merkezleyiniz ve testere bıçağı dişlerinin işlenen parçaya sıkışmamış olmasına dikkat ediniz.** Testere bıçağı tekrar çalıştırıldığında sıkışıyorsa iş parçasından çıkabilir veya geri tepebilir.
- ▶ **Sıkışan testere bıçağının geri tepmesini azaltmak için büyük levhaları çok iyi bir şekilde sabitleyiniz.** Büyük levhalar kendi ağırlıklarından dolayı bükülebilirler. Levhalar, her iki tarafta hem testere bıçağı boşluğunun yakınından hem de kenardan desteklenmelidir.
- ▶ **Kör veya hasarlı testere bıcaıklarını kullanmayınız.** Kör veya yanlış ayarlanmış dişli testere bıcaıkları çok dar bir kesme boşluğundan dolayı yüksek aşınmaya, testere bıçağının sıkışmasına ve geri tepmeye neden olur.
- ▶ **Testereyle kesme öncesinde kesim derinliğini ve kesim açısı ayarlarını kesin olarak belirleyiniz.** Kesme işlemi sırasında ayarları değiştirdiyseniz testere bıçağı sıkışabilir ve geri tepmeler ortaya çıkabilir.
- ▶ **Kesme işlemi sırasında mevcut duvarlara veya diğer görülmeyen bölgelere karşı özellikle dikkat ediniz.** Daldırılan testere bıçağı kesme sırasında gizli nesnelere bloke edebilir ve bir geri tepmeye neden olabilir.

### 2.3 Ek güvenlik uyarıları

#### Kişilerin güvenliği

- ▶ **Alette onarımlara veya değişikliklere izin verilmez.**
- ▶ **Aleti, her zaman iki elinizle öngörülen tutamaklardan sıkıca tutunuz. Tutamakları kuru, temiz, yağsız ve gressiz bir şekilde tutunuz.**
- ▶ **Kulaklık takınız.** Aşırı sestən dolayı duyma kaybı meydana gelebilir.
- ▶ **Alet toz emme tertibatı olmadan çalışıyorsa, toz oluşturan çalışmalarda hafif bir solunum koruma maskesi takılmalıdır.**
- ▶ **Aleti yalnızca alete ait olan koruma tertibatları ile çalıştırınız.**
- ▶ **Parmaklarınızdaki kan dolaşımının iyi olması için çalışma molaları veriniz ve gevşetme ve parmak egzersizleri yapınız.**
- ▶ **Bu alet gözetim altında olmayan yetersiz güçteki kişiler için uygun değildir.**
- ▶ **Aleti çocuklardan uzak tutunuz.**
- ▶ **Ürünü çalışma yerine getirmeden açmayınız.**
- ▶ **Aletin depolanması ve taşınması sırasında akü çıkarılmalıdır.**
- ▶ **Ürünle başınızın üzerinde çalışmayınız.**
- ▶ **Testere bıçağını yandan bastırarak ürünü frenlemeyiniz.**
- ▶ **Kesme yolunda hiçbir engel olmamalıdır. Cıvataları, çivileri, vb. kesmeyiniz.**
- ▶ **Alet çalışırken sıkma flanşına ve sıkma cıvatasına dokunmayınız.**
- ▶ **Testere bıçağı dönerken mil kilitleme butonuna kesinlikle basmayınız.**
- ▶ **Aleti insanlara yöneltmeyiniz.**
- ▶ **Ön besleme gücünü, testere bıçağı bloke olmayacak ve duruma göre geri tepmeye neden olmayacak şekilde testere bıçağına ve işlenen malzemeye adapte ediniz.**
- ▶ **Testere dişi uçlarının aşırı ısınmasını engelleyiniz.**
- ▶ **Plastik malzemelerin kesilmesi sırasında plastiğin erimesi engellenmelidir.**
- ▶ **Kurşun içeren boyalar gibi malzemelerin tozu, bazı ahşap türleri, kuartz içeren beton / duvar / taşlar, mineraller ve metaller sağlığa zarar verebilir. Tozlara dokunulması veya tozların solunması, kullanıcıya veya yakınında bulunan kişilerde alerjik reaksiyonlara ve/veya solunum yolu hastalıklarına yol açabilir. Kayın veya meşe ağacı gibi belli tür tozlar özellikle ahşap işlemede ek maddelerle (kromat, ahşap koruyucu malzemeler) bağlantılı çalışıldığında kanser yapıcı olarak kabul edilir. Asbest içerikli malzemeler sadece uzman kişiler tarafından işlenmelidir. **Mümkünse bir toz emme tertibatı kullanınız. Daha yüksek bir toz emme derecesine ulaşmak için uygun bir portatif toz emme tertibatı kullanılmalıdır. Gerekliyse ilgili toza uygun bir solunum koruma maskesi takılmalıdır. Çalışma yerinin iyi havalandırılması sağlanmalıdır. İşlenecek malzemeler için ülkenizde geçerli olan talimatlara dikkat ediniz.****
- ▶ **Çalışmaya başlamadan önce çalışma alanında üzerleri kaplanmış olan elektrik hatları, gaz ve su borularını örn. bir metal dedektörü ile kontrol ediniz. Yanlışlıkla bir akım hattına zarar vermeniz.**
- ▶ **Ulusal iş güvenliği gereksinimlerini dikkate alınız.**

#### Elektrik güvenliği

- ▶ **Çalışmaya başlamadan önce çalışma alanında üzerleri kaplanmış olan elektrik hatları, gaz ve su borularını örn. bir metal dedektörü ile kontrol ediniz. Yanlışlıkla bir akım hattına zarar vermeniz**





durumunda, aletin dışında yer alan metal parçaları gerilim yüklü hale gelebilir. Bu durumda ciddi bir elektrik çarpması tehlikesi söz konusudur.

#### Akülü aletlerin özenli çalıştırılması ve kullanımı

- ▶ Lityum İyon akülerin taşıma, depolama ve kullanımına yönelik özel talimatları dikkate alınız.
- ▶ Aküler, yüksek sıcaklıklardan ve ateşten uzak tutulmalıdır. Patlama tehlikesi vardır.
- ▶ Aküler parçalarına ayrılmamalı, ezilmemeli, 80°C (176°F) üzerine ısıtılmamalı veya yakılmamalıdır. Aksi takdirde yangın, patlama ve zehirlenme tehlikesi oluşur.
- ▶ Hasarlı aküler (örneğin çatlamış, parçaları kırılmış, bükülmüş, kontaktları dışarı çıkmış ve/veya dışarı çekilmiş aküler) şarj edilemez ve artık kullanılamaz.
- ▶ Aküler öngörülmemiş diğer tüketiciler için enerji kaynağı olarak kullanılmamalıdır.
- ▶ Akü tutulamayacak kadar sıcaksa arızalı olabilir. Aleti yanıcı malzemelerden yeterli bir uzaklıkta, gözlemleyebileceğiniz yanmaz bir zemin üzerine koyunuz ve soğuması için bırakınız. Akü soğuduktan sonra Hilti servisi ile irtibat kurunuz.

#### 2.4 Daire testere için ek güvenlik uyarıları

- ▶ El tipi daire testereyi sadece açık durumda ilgili iş parçasına doğru tutunuz.
  - ▶ Kesme yolunun üstünde ve altında hiçbir engel olmamalıdır. Civataları, çivileri veya benzerlerini kesmeyiniz.
- ▶ Bir daire testere ile asla baş hizasının üzerinde çalışmayınız.
- ▶ Testere bıçağını asla yandan bastırarak durdurmayınız.
- ▶ Testere dişi uçlarının aşırı ısınmasını engelleyiniz.
- ▶ Kesilecek zemin için her zaman uygun testere bıçağını kullanınız.
- ▶ Sadece Hilti tarafından tavsiye edilen, EN 847-1 normuna uygun testere bıçaklarını kullanınız.

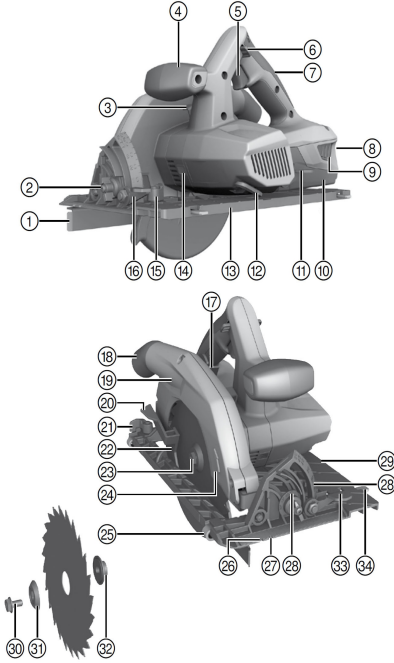
#### 2.5 Akülü aletlerin özenli çalıştırılması ve kullanımı

- ▶ Lityum İyon akülerin taşıma, depolama ve kullanımına yönelik özel talimatları dikkate alınız.
- ▶ Aküler, yüksek sıcaklıklarda, doğrudan güneş ışığından ve ateşten uzak tutulmalıdır.
- ▶ Aküler parçalarına ayrılmamalı, ezilmemeli, 80°C (176°F) üzerine ısıtılmamalı veya yakılmamalıdır.
- ▶ Darbe almış, bir metreden daha yüksek bir yerden düşmüş veya başka bir şekilde hasar görmüş aküleri kullanmayınız veya şarj etmeyiniz. Bu durumda her zaman **Hilti servisi** ile irtibat kurunuz.
- ▶ Akü tutulamayacak kadar sıcaksa arızalı olabilir. Pili, yanıcı malzemelere yeterli mesafede, görünür ve yanıcı olmayan bir yere yerleştiriniz. Aküyü soğumaya bırakınız. Akü bir saat sonra hala dokunulamayacak kadar sıcaksa, arızalı demektir. **Hilti servisi** ile iletişim kurunuz.



### 3 Tanımlama

#### 3.1 Ürüne genel bakış 1



- ① Tek kollu paralel mesnet
- ② Kesme açısı ön ayarı (22,5°, 45°, 50°)
- ③ Mil ayarlama düğmesi
- ④ İlave tutamak
- ⑤ Açma/kapatma şalteri
- ⑥ Devreye alma kilidi
- ⑦ tutamak
- ⑧ Şarj durumu ve hata göstergesi (Lityum İyon akü)
- ⑨ "Şarj durumu göstergesinin devreye alınması" ilave fonksiyonuna sahip kilit açma düğmeleri
- ⑩ Akü
- ⑪ Kesme açısı ince ayarı için sıkıştırma kolu
- ⑫ Allen anahtarı
- ⑬ Küçük ana plaka
- ⑭ LED aydınlatma
- ⑮ Ön paralellik mesnedi için sıkıştırma kolu
- ⑯ Kesme açısı ayarı için sıkıştırma kolu
- ⑰ Kesme derinliği skalası
- ⑱ Bağlantı ağızı (talaş kanalı)
- ⑲ Koruma başlığı
- ⑳ Pandül koruma kapağı için kumanda kolu
- ㉑ Arka paralellik mesnedi için sıkıştırma kolu (sadece büyük ana plakalar için)
- ㉒ Pandül koruma kapağı
- ㉓ Tahrik mili
- ㉔ Dönme yönü oku
- ㉕ Çift kollu paralellik mesnedi
- ㉖ Kesme işareti 0°
- ㉗ Kesme işareti 45°
- ㉘ Kesme açısı skalası
- ㉙ Büyük ana plaka
- ㉚ Sıkma civatası
- ㉛ Sıkma flanşı
- ㉜ Bağlantı flanşı
- ㉝ Ana plaka kanal işareti 0°
- ㉞ Ana plaka kanal işareti 1° - 50°

#### 3.2 Kılavuz ray adaptörü 2

- |                     |                          |
|---------------------|--------------------------|
| ⑳ Arka tutma rafı   | ㉟ Kanal işareti 0°       |
| ㉑ Ön kılavuz yatağı | ㊱ Kanal işareti 1° - 50° |

#### 3.3 Usulüne uygun kullanım

Tanımlanan ürün akülü bir daire testeredir. Ahşap veya ahşap sayılan malzemeler, plastikler, kartonpiyer, alçı plak ve kompozit malzemeler için testere işleri.

El tipi daire testere, piyasadaki emici hortumlara göre tasarlanmış olan toz emici/toz giderici için çıkartılabilir bir bağlantı ağızıyla donatılmıştır. Toz emici hortumunu testereye bağlamak için uygun bir adaptör gerekebilir.

- Belirtilen karakteristik bilgilerine (örn. çap, devir sayısı, kalınlık) uygun olmayan testere bıçakları, daire testerele ve zımpara diskleri ile yüksek alışımli yüksek hız çeliklerinden (HSS çelik) üretilmiş testere bıçakları kullanılmamalıdır. Metaller testereyle kesilmemelidir.



- ▶ Ağaç dalları ve ağaç köklerini kesmek için ürünü kullanmayınız.
- ▶ Bu ürün için sadece B 22 tip serisi **Hilti** Lityum İyon aküler kullanılmalıdır.
- ▶ Bu aküler için sadece C4/36 serisi **Hilti** şarj cihazları kullanınız.

### 3.4 Lityum İyon akülerin göstergesi

Lityum İyon akülerin şarj durumu ve cihazın arızaları Lityum İyon akülerin göstergesi vasıtasıyla görüntülenir. Lityum İyon akülerin şarj durumu, her iki kilit açma tuşuna hafifçe basarak görüntülenebilir.

Durum	Anlamı
4 LED yanıyor.	Şarj durumu: % 75 ile %100 arası
3 LED yanıyor.	Şarj durumu: % 50 ile %75 arası
2 LED yanıyor.	Şarj durumu: % 25 ile %50 arası
1 LED yanıyor.	Şarj durumu: % 10 ile %25 arası
1 LED yanıp sönüyor, alet çalışmaya hazır.	Şarj durumu: < % 10
1 LED yanıp sönüyor, alet çalışmaya hazır değil.	Akü aşırı ısınmış veya tamamen boşalmış.
4 LED yanıp sönüyor, alet çalışmaya hazır değil.	Alet aşırı yüklü veya aşırı ısınmış.

- i** Kumanda şalterine basılıyken ve kumanda şalteri bırakıldıktan sonra 5 saniye içinde şarj durumu sorgusu yapmak mümkün değildir.  
Akü göstergesinin LED'leri yanıp söndüğünde lütfen Arızalar bölümdeki uyarıları dikkate alınız.

### 3.5 Paralel dayanak

Tek kollu paralel dayanakla, iş parçası kenarı boyunca düzgün kesimlere ya da aynı ölçüde çitaların kesilmesine olanak sağlanır.

Paralel dayanak, ana plakanın her iki tarafına takılabilir.

### 3.6 Teslimat kapsamı

Daldırmalı daire testere, testere bıçağı, allen anahtarı, paralellik mesnedi, toz emme makinesi için bağlama destekleri, kullanım kılavuzu (Opsiyonel: Kılavuz ray adaptörü)

- i** Tarafımızdan onaylanmış, yedek parçaları, aksesuarları ve sarf malzemelerini **Hilti Store** veya şu adreste bulabilirsiniz: [www.hilti.group](http://www.hilti.group).

### 3.7 Aksesuar

Sıkma flanşı, bağlantı flanşı, sıkma civatası.

## 4 Teknik veriler

### 4.1 Daire testere

	SC 70W-A22
Nominal gerilim	21,6 V
01 EPTA Prosedürü'ne göre ağırlık	4,8 kg
Öngörülen testere bıçağı çapı	190 mm
Çelik bıçak kalınlığı	0,7 mm ... 1,5 mm
Kesme genişliği	1,5 mm ... 2 mm
Testere bıçağını bağlama deliği	30 mm
Ölçüm rölanti devir sayısı	3.500 dev/dak
Maksimum kesme derinliği 0°	70 mm
Maksimum kesme derinliği 45°	51 mm
Maksimum kesme derinliği 50°	45 mm
Köşe kesme açısı	0° ... 50°



	SC 70W-A22
Çalışma sıcaklığı	-10 °C ... 50 °C
Depolama sıcaklığı (Akü olmadan)	-30 °C ... 70 °C

## 4.2 Akü

Akü çalışma gerilimi	21,6 V
İşletim sırasındaki ortam sıcaklığı	-17 °C ... 60 °C
Depolama sıcaklığı	-20 °C ... 40 °C
Şarj başlangıcında akü sıcaklığı	-10 °C ... 45 °C

## 4.3 Ses bilgileri ve titreşim değerleri EN 62841 uyarınca belirlenir

Bu talimatlarda belirtilen ses basıncı ve titreşim değerleri, ilgili normlara uygun bir ölçüm metodu ile ölçülmüştür ve elektrikli el aletlerinin birbirleri ile karşılaştırılması için kullanılabilir. Zorlanmaların geçici olarak değerlendirilmesine de uygundur. Belirtilen değerler, elektrikli el aletinin ana kullanım alanlarını temsil eder. Elektrikli el aletinin, farklı ek aletlerle veya yetersiz bakım yapılmış şekilde kullanılması durumunda, veriler sapma gösterebilir. Bu durum, toplam çalışma süresi boyunca zorlanmayı belirgin şekilde yükseltebilir. Doğru bir zorlanma değerlendirmesi için aletin kapatıldığı veya çalışır durumda olduğu ve ayrıca kullanımda olmadığı zamanlar da dikkate alınmalıdır. Bu durum, toplam çalışma süresi boyunca zorlanmayı belirgin şekilde azaltabilir. Kullanıcıyı ses ve/veya titreşimin etkilerinden koruyacak ek güvenlik önlemleri belirleyiniz, örneğin: Elektrikli el aletinin ve ek aletlerin bakımının yapılması, ellerin sıcak tutulması, iş akışlarının organizasyonu.

### Gürültü emisyon değerleri EN 62841 standardına göre belirlenmiştir

	SC 70W-A22
Ses gücü seviyesi ( $L_{WA}$ )	103 dB(A)
Ses gücü seviyesi için emniyetsizlik ( $K_{WA}$ )	3 dB(A)
Ses basıncı seviyesi ( $L_{pA}$ )	92 dB(A)
Ses basıncı seviyesi için emniyetsizlik ( $K_{pA}$ )	3 dB(A)

### Toplam titreşim değerleri (üç yöndeki vektörel toplam), EN 62841 uyarınca belirlenmiştir

	SC 70W-A22
Ahşap kesme sırasında titreşim emisyonu değeri ( $A_{h, w}$ )	0,93 m/sn <sup>2</sup>
Emniyetsizlik (K)	1,5 m/sn <sup>2</sup>

## 5 Kullanım

### 5.1 Çalışma hazırlığı

#### 5.1.1 Akünün şarj edilmesi

1. Şarj etmeden önce şarj cihazının kullanım kılavuzunu okuyunuz.
2. Akü ve şarj cihazının kontaklarının temiz ve kuru olmasına dikkat ediniz.
3. Aküyü izin verilen şarj cihazında şarj ediniz. 156

#### 5.1.2 Akünün yerleştirilmesi



**İKAZ**

#### Yaralanma tehlikesi kısa devre veya akünün düşmesi nedeniyle!

- ▶ Aküyü yerleştirmeden önce, akü kontaklarında ve ürün içindeki kontaklarda yabancı cisim bulunmadığından emin olunuz.
- ▶ Akünün her zaman tam oturduğundan emin olunuz.

1. İlk kullanım öncesinde akü tamamen şarj edilmelidir.
2. Aküyü ürüne, duyulur şekilde yerine oturana kadar itiniz.
3. Akünün alette emniyetli bir şekilde yerleşip yerleşmediğini kontrol ediniz.

#### 5.1.3 Akünün çıkartılması

1. Akünün serbest bırakma düğmelerine basınız.



2. Aküyü aletten çıkartınız.

#### 5.1.4 Testere bıçağının sökülmesi 3

##### İKAZ

**Testere bıçağında, sıkma civatasında ve sıkma flanşında yanma ve kesilme tehlikesi** Yanıklar ve kesilme kaynaklı yaralanmalar söz konusu olabilir.

► Alet değiştirmek için koruyucu eldiveni kullanınız.

1. Aküyü çıkarınız.
2. Allen anahtarını testere bıçağının sıkma civatasına yerleştiriniz.
3. Mil ayarlama düğmesine basınız ve basılı tutunuz.
4. Mil kilitleme pimi tamamen yerine oturana kadar allen anahtarla testere bıçağının sıkma civatasını döndürünüz.
5. Dönme yönü oku yönünde döndürmeye devam ederek sıkma civatasını allen anahtarıyla gevşetiniz.
6. Sıkma civatasını ve dış sıkma flanşını çıkartınız.
7. Dışarı doğru çevirerek pandül koruma kapağını açınız ve testere bıçağını çıkartınız.



Bağlama flanşı gerekirse temizlemek için çıkarılabilir.

#### 5.1.5 Testere bıçağının takılması 4

##### DİKKAT

**Hasar tehlikesi!** Uygunsuz veya yanlış yerleştirilen testere bıçakları testereye zarar verebilir.

- Sadece testere için uygun olan testere bıçakları kullanınız. Testere bıçağının üstündeki dönme yönü okuna dikkat ediniz.
- Sadece izin verilen devir sayısı en az ürün üzerinde belirtilen azami devir sayısı kadar olan testere bıçaklarını kullanınız.



**Bağlanacak testere bıçağının teknik gereklilikleri karşıladığından ve iyice bilmiş olduğundan emin olunuz.** Keskin bir testere bıçağı, kusursuz bir testere kesimi için ön koşuldur.

1. Aküyü çıkarınız.
2. Bağlantı ve sıkma flanşını temizleyiniz.
3. Bağlantı flanşını doğru biçimde yönlendirerek tahrik miline takınız.
4. Pandül koruma kapağını açınız.
5. Yeni testere bıçağını yerleştiriniz.
6. Dış sıkma flanşını doğru biçimde yönlendirerek takınız.
7. Sıkma civatasını yerleştiriniz.
8. Allen anahtarını testere bıçağının sıkma civatasına yerleştiriniz.
9. Mil kilitleme düğmesine basınız.
10. Sıkma flanşını, allen anahtarını dönme yönü okunun tersine çevirerek sıkma civatasıyla sabitleyiniz.
  - Mil kilitleme pimi yerine oturun.
11. Çalıştırmadan önce testere bıçağının sıkı ve doğru oturduğunu kontrol ediniz.

#### 5.1.6 Kesme derinliğinin ayarlanması 5

1. Aküyü çıkarınız.
2. Kesme derinliği ayar mekanizmasının sıkıştırma kolunu gevşetiniz.
3. Ürünü makas şeklindeki bir hareketle kaldırınız ve sıkıştırma kolunu sıkarak kesme derinliğini ayarlayınız.



Ayarlanmış kesme derinliği, kesilecek malzeme kalınlığından her zaman 5 ila 10 mm daha büyük seçilmelidir.

Koruma başlığının arka tarafına yerleştirilmiş olan skala ve ibreden, ayarlanmış olan derinlik okunabilir.

#### 5.1.7 Kesme açısının ayarlanması 6

1. Aküyü çıkarınız.



2092403

Türkçe

159

2. Kesme açısı ayar mekanizmasının sıkıştırma kolunu gevşetiniz.
3. Ürünü istediğiniz konuma getiriniz.



Kesme açısı ön ayarı ile 22,5°/45°/50° maksimum açıları kolaylıkla ayarlanabilir

4. Kesme açısı ayar mekanizmasının sıkıştırma kolunu sıkınız.

### 5.1.8 Çatlağa göre kesme



Daire testerenin ön ana plakasında hem düz kesim hem de eğik kesimler için bir çatlak göstergesi (0° ve 45°) bulunmaktadır. Böylece seçilen kesme açısına göre hassas bir kesim yapılabilir. Çatlak kenarı, testere bıçağının iç tarafına eşittir. Çatlak göstergesi, testere bıçağının ön kesitinde bulunur.



İş parçasını kaymaya karşı emniyete alınız.

İş parçasını, testere bıçağı iş parçasının altından serbestçe geçecek şekilde düzenleyiniz. Üründeki Açma/Kapatma şalterinin kapalı olduğundan emin olunuz.

Ürünü, testere bıçağı iş parçasına henüz temas etmeyecek şekilde ana plakayla iş parçasının üzerine oturtunuz.

1. Aküyü yerleştiriniz.
2. Devreye alma kilidine basılmışken Açma/Kapatma şalterine basarak ürünü çalıştırınız.
3. Ürünü uygun bir çalışma temposunda çatlak boyunca iş parçasından geçiriniz.

### 5.1.9 Paralel dayanağının takılması/ayarlanması

1. Aküyü çıkarınız.
2. Sıkıştırma civatasını, sadece paralel dayanağı içinden geçirecek kadar ana plakaya vidalayınız.
3. Paralel dayanağın kılavuzunu sıkıştırma civatasının altına itiniz.
4. İsteddiğiniz kesme genişliğini ayarlayınız.
5. Sıkıştırma civatasını sıkınız.



Paralellik mesnedi (tek kollu/çift kollu), ana plakanın her iki tarafına takılabilir. İki kollu paralellik mesnedi sadece büyük ana plakada kullanılabilir

Paralellik mesnedi sayesinde iş parçası kenarı boyunca düzgün kesimlere ya da aynı ölçüde çıtalarn kesilmesine olanak sağlar.

### 5.1.10 Kılavuz ray adaptörünün takılması



Testere, aksesuar olarak temin edilebilen bir kılavuz ray adaptörü ile donatılabilir.

Küçük ana plakalı testerelelerde kılavuz raya uyan bir kılavuz ray adaptörü kullanınız.

1. Aküyü çıkarınız.
2. Gerekirse, takılmış olan paralel dayanağı çıkartınız.
3. Ana plakayı kılavuz ray adaptörünün yandaki kılavuz yataklarına yerleştiriniz.
4. Ana plakayı komple kılavuz ray adaptörüne oturtunuz.
5. Her iki sürgüyü dayanağa kadar içeri bastırarak kılavuz ray adaptörünü kilitleyiniz.

## 5.2 İş

### 5.2.1 Ürünün açılması

- ▶ Devreye alma kilidine basılmışken Açma/Kapatma şalterine basarak ürünü çalıştırınız.

### 5.2.2 Ürünün kapatılması

- ▶ Aleti, açma/kapatma şalterini bırakarak tutunuz.

### 5.2.3 0° boylamasına kesimler

1. "0°" kanal işaretli daire testereyi kılavuz rayın yatağına gelecek şekilde yerleştiriniz.
2. Devreye alma kilidine basılmışken Açma/Kapatma şalterine basarak ürünü çalıştırınız.



3. Ürünü uygun bir çalışma temposunda ray boyunca iş parçasından geçiriniz.

#### 5.2.4 50°'ye kadar açılarda boylamasına kesimler 11

1. Açığı ayarlayınız.



#### İKAZ

**Eğik kesim sırasında çarpışma tehlikesi!** Testere bıçağının kılavuz rayı ile çarpışması.

- ▶ Testereyi, doğru girinti kılavuz rayın yatağına gelecek şekilde yerleştiriniz. Aksi takdirde testere bıçakları, kılavuz raylar ile çarpışabilir.
2. "1°-50°" kanal işaretli sahip testereyi kılavuz rayın yatağına gelecek şekilde yerleştiriniz.
  3. Devreye alma kilidinde basılmışken Açma/Kapatma şalterine basarak ürünü çalıştırınız.
  4. Ürünü uygun bir çalışma temposunda ray boyunca iş parçasından geçiriniz.

#### 5.2.5 Geniş yüzeyli açılı kesimlerin uygulanması 12

1. Kılavuz rayının sıfır noktasını iş parçası kenarına koyunuz ve açi skalasında istediğiniz açi sıfır noktasının karşısına gelene kadar rayı döndürünüz. Gösterilen kesme açısı, kesimin dik açıda düz kesimden sapma gösterdiği açiyi belirtir.
2. Kılavuz rayı iki vidalı mengeneyle sabitleyiniz.
3. "0°" kanal işaretli daire testereyi kılavuz rayın yatağına gelecek şekilde yerleştiriniz.
4. Devreye alma kilidinde basılmışken Açma/Kapatma şalterine basarak ürünü çalıştırınız.
5. Ürünü uygun bir çalışma temposunda ray boyunca iş parçasından geçiriniz.

#### 5.2.6 Talaş emme olmadan kesme

1. Talaşların serbestçe dışarı atılmasına dikkat ediniz.
2. Gerekirse, allen vida alette bulunan allen anahtarla açıldıktan sonra, bağlantı ağzı koruma başlığından çıkartılabilir.

## 6 Bakım ve onarım



#### İKAZ

**Takılı aküden dolayı yaralanma tehlikesi !**

- ▶ Tüm bakım ve onarım çalışmalarından önce her zaman aküyü çıkarınız!

#### Ürün bakımı

- Yapışmış olan kiri dikkatlice çıkarınız.
- Eğer varsa, havalandırma deliklerini kuru, yumuşak bir fırça ile dikkatlice temizleyiniz.
- Gövdeyi sadece hafif nemli bir temizlik bezi ile temizleyiniz. Plastik parçalara yapışabileceğinden silikon içerikli bakım maddeleri kullanmayınız.
- Ürünün kontaklarını temizlemek için temiz, kuru bir bez kullanınız.

#### Lityum İyon akülerin bakımı

- Bir aküyü asla havalandırma delikleri tıkalıyken kullanmayınız. Havalandırma deliklerini kuru, yumuşak bir fırça ile dikkatlice temizleyiniz.
- Akünün gereksiz yere toza veya kire maruz kalmamasını sağlayınız. Aküyü asla yüksek nem ayarlamasına maruz bırakmayınız (örn. suya daldırmayınız veya yağmurda bırakmayınız). Bir akünün ıslanması halinde, ona hasarlı bir akü gibi davranınız. Yanıcı olmayan bir kabın içinde izole ediniz ve Hilti servisine başvurunuz.
- Aküyü yabancı yağ ve gresten uzak tutunuz. Akünün üzerinde gereksiz yere toz veya kir birikmesine izin vermeyiniz. Aküyü kuru, yumuşak bir fırça veya temiz, kuru bir bezle temizleyiniz. Plastik parçalara yapışabileceğinden silikon içerikli bakım maddeleri kullanmayınız. Akünün kontak noktalarına dokunmayınız ve kontak noktalarına fabrikada uygulanmış olan gresi kesinlikle çıkartmayınız.
- Gövdeyi sadece hafif nemli bir temizlik bezi ile temizleyiniz. Plastik parçalara yapışabileceğinden silikon içerikli bakım maddeleri kullanmayınız.



**Onarım****⚠ İKAZ**

**Elektrik çarpması tehlikesi!** Elektrikli parçalarda usulüne uygun olmayan onarımlar ciddi yaralanmalara ve yanıklara neden olabilir.

- ▶ Elektrik parçalarındaki onarımlar sadece elektronik uzmanı tarafından yapılabilir.
- Görünür tüm parçalarda hasar olup olmadığını ve kumanda elemanlarının fonksiyonlarının sorunsuz şekilde çalışıp çalışmadığını düzenli olarak kontrol ediniz.
- Hasar ve/veya fonksiyon arızaları durumunda ürünü çalıştırmayınız. Ürünü derhal **Hilti** servisi tarafından onarılmasını sağlayınız.
- Bakım ve onarım çalışmalarından sonra tüm koruma tertibatlarını yerleştiriniz ve bunları sorunsuz fonksiyon bakımından kontrol ediniz.



Güvenli çalışma için sadece orijinal yedek parçaları, sarf malzemeleri ve aksesuar kullanınız. **Hilti** tarafından onaylanmış, yedek parçaları, aksesuarları ve sarf malzemelerini **Hilti Store** veya şu adreste bulabilirsiniz: [www.hilti.group](http://www.hilti.group)

**6.1 Koruma tertibatının temizlenmesi**

1. Koruma tertibatlarının temizlenmesi için testere bıçağını çıkarınız.
2. Koruma tertibatlarını dikkatlice kuru bir fırça ile temizleyiniz.
3. Koruma tertibatlarının iç kısımlarında bulunan tortuları ve talaşları uygun bir alet ile temizleyiniz.
4. Testere bıçağını takınız.

**6.2 Talaş kanalı tıkanmışken uygulanması gereken çalışma adımları**

1. Aküyü çıkarınız.
2. Talaş kanalını temizleyiniz.



Gerekirse testere bıçağı sökülmalıdır. 159

3. Hareketli parçaların kusursuz çalıştığını ve sıkışmadığını, parçaların kırılıp kırılmadığını veya hasar görüp görmediğini, ürünün fonksiyonlarının kısıtlanma durumlarını kontrol ediniz.

**6.3 Bakım ve onarım çalışmalarından sonra kontrol**

Bakım ve onarım çalışmalarından sonra tüm koruma tertibatlarının yerinde olup olmadığı ve hatasız çalıştığı kontrol edilmelidir.

- ▶ Pandül koruma kapağının kontrol edilmesi için bunu, kumanda koluna dokunarak tamamen açınız.
  - ▶ Kumanda kolunu bıraktıktan sonra pandül koruma kapağı hızlı bir şekilde ve tamamen kapanmalıdır.

**7 Taşıma ve depolama****Akülü aletlerin ve akülerin taşınması****⚠ DİKKAT**

**Taşıma sırasında aletin istem dışı çalışması !**

- ▶ Ürünlerinizi her zaman aküler takılı olmadan taşıyınız!
- ▶ Aküleri çıkartınız.
- ▶ Aküleri kesinlikle sıkıca bağlanmamış koruma ile nakletmeyiniz. Nakliye sırasında, aküler aşırı şok ve titreşimlerden korunmalı ve başka akü kutupları ile temas ederek kısa devreye neden olmamaları için, her türlü izletken malzeme veya diğer akülerden izole edilmiş olmalıdır. **Aküler için yerel taşıma talimatlarını dikkate alınız.**
- ▶ Aküler posta ile gönderilmemelidir. Hasarsız aküleri sevk etmek istemeniz halinde, bir nakliye şirketine başvurunuz.
- ▶ Ürünün ve akülerin hasar görmüş olup olmadığını her kullanımdan önce olduğu gibi uzun taşımaldan önce ve sonra kontrol ediniz.





## Akülü aletlerin ve akülerin depolanması



### Arızalı veya akan aküler nedeniyle beklenmeyen hasar oluşumu !

- ▶ Ürünlerinizi her zaman aküleri yerleştirmeden depolayınız!
- ▶ Ürünü ve aküleri serin ve kuru bir yerde depolayınız. Teknik verilerde belirtilen sıcaklık sınır değerlerini dikkate alınız.
- ▶ Aküleri şarj cihazının üzerinde muhafaza etmeyiniz. Şarj işleminden sonra her zaman aküyü şarj cihazından çıkartınız.
- ▶ Aküleri kesinlikle güneşte, ısı kaynaklarının üzerinde veya cam arkasında depolayınız.
- ▶ Ürünü ve aküleri çocukların ve yetkisiz kişilerin ulaşamayacağı yerlerde depolayınız.
- ▶ Ürünün ve akülerin hasar görmüş olup olmadığını her kullanımdan önce olduğu gibi uzun süreli depolamalardan önce ve sonra kontrol ediniz.

## 8 Arıza durumunda yardım

- ▶ Bu tabloda listelenmemiş veya kendi başınıza gideremediğiniz arızalarda lütfen yetkili **Hilti** servisimiz ile irtibat kurunuz.

### 8.1 Daire testere çalışmaya hazır değildir

Arıza	Olası sebepler	Çözüm
LED'ler hiçbir şey göstermiyor.	Akü yerine tamamen takılmamış.	▶ Aküyü yerleştiriniz.
	Akü deşarj olmuş.	▶ Aküyü şarj ediniz.
	Akü çok sıcak veya çok soğuk.	▶ Aküyü doğru ortam sıcaklığına getiriniz.
1 LED yanıp sönüyor.	Akü deşarj olmuş.	▶ Aküyü şarj ediniz.
	Akü çok sıcak veya çok soğuk.	▶ Aküyü doğru ortam sıcaklığına getiriniz.
4 LED yanıp sönüyor.	Daire testere kısa bir süre aşırı yüklenmiş.	▶ Kumanda şalterini bırakınız ve şaltare sonra yeniden basınız.
	Aşırı sıcaklık koruması.	▶ Daire testereyi soğumaya bırakınız ve havalandırma deliklerini temizleyiniz.

### 8.2 Daire testere çalışmaya hazırdır

Arıza	Olası sebepler	Çözüm
Açma/kapatma şalterine basılamıyor veya bloke olmuş.	Hata değildir (güvenlik fonksiyonu).	▶ Devreye alma kilidine basınız.
Devir sayısı aniden çok düşüyor.	Akü deşarj olmuş.	▶ Aküyü şarj ediniz.
	Besleme gücü çok yüksek.	▶ Besleme gücünü düşürünüz ve ürünü tekrar çalıştırınız.
Talaşlar talaş kabına taşınıyor ve ana plakaya düşüyor.	Talaş kabı dolu.	▶ Talaş kabını boşaltınız.
	Talaş kanalı tıkanmış.	▶ Talaş kanalını temizleyiniz. 162
Testere bıçağı duruyor.	Besleme gücü çok yüksek.	▶ Besleme gücünü düşürünüz ve ürünü tekrar çalıştırınız.
Akü normalden daha hızlı boşalıyor.	Akü durumu uygun değil.	▶ Aküyü değiştiriniz.
Akü paketi duyulabilir bir "çift klik" sesi ile yerine oturmuyor.	Akünün kilit tırnakları kirlenmiş.	▶ Kilit tırnakları temizlenmeli ve akü yerine oturtulmalıdır. Problem devam ederse <b>Hilti</b> servisine başvurunuz.




Anıza	Olası sebepler	Çözüm
Daire testerede veya aküde yüksek ısı oluşumu.	Elektrik anzası	▶ Daldırmalı daire testereyi derhal kapatınız. Aküyü çıkartınız ve durumunu inceleyiniz. Aküyü soğumaya bırakınız. <b>Hilti</b> servisi ile iletişim kurunuz.
	Ürün aşırı yüklenmiş (kullanım sınırı aşılmış).	▶ Uygulamaya uygun bir alet seçiniz.
Testere güçlü bir şekilde titriyor	Testere bıçağı yanlış monte edilmiş	▶ Testere bıçağını doğru şekilde takınız. 159

## 9 İmha

### İKAZ

**Usulüne uygun olmayan imha nedeniyle yaralanma tehlikesi!** Dışarı çıkan gaz ve sıvılar nedeniyle sağlık sorunları.

- ▶ Hasar görmüş aküleri hiç bir şekilde göndermeyiniz!
- ▶ Kısa devreleri önlemek için, akünün bağlantılarını iletken olmayan bir malzeme ile kapatınız.
- ▶ Aküleri, çocukların ellerine geçmeyecek şekilde imha ediniz.
- ▶ Aküyü size en yakın **Hilti Store**'da imha ediniz veya imha etmek için yetkili şirketinize başvurunuz.

 **Hilti** ürünleri yüksek oranda tekrar kullanılabilen malzemelerden üretilmiştir. Geri dönüşüm için gerekli koşul, usulüne uygun malzeme ayrımıdır. Çoğu ülkede **Hilti** eski aletlerini yeniden değerlendirmek üzere geri alır. Bu konuda **Hilti** müşteri hizmetlerinden veya satış temsilcinizden bilgi alabilirsiniz.



- ▶ Elektrikli el aletlerini, elektronik cihazları ve aküleri evdeki çöplere atmayınız!

## 10 RoHS (Tehlikeli madde kullanımını kısıtlama direktifi)

Aşağıdaki linkte tehlikeli maddeler tablosunu bulabilirsiniz: [qr.hilti.com/r2937785](http://qr.hilti.com/r2937785).  
RoHS tablosunun linkini bu dokümanın sonunda QR kodu olarak bulabilirsiniz.

## 11 Üretici garantisi

- ▶ Garanti koşullarına ilişkin sorularınız için lütfen yerel **Hilti** iş ortağınıza başvurunuz.



## دليل الاستعمال الأصلي

## 1 بيانات بخصوص دليل الاستعمال

## 1.1 خاص بدليل الاستعمال هذا

- اقرأ دليل الاستعمال قبل التشغيل. يعتبر هذا شرطاً للعمل بشكل آمن والاستخدام بدون اختلالات.
- احرص على مراعاة إرشادات الأمان والإرشادات التحذيرية الواردة دليل الاستعمال هذا والمدونة على المنتج.
- احتفظ بدليل الاستعمال دائماً مع هذا المنتج، ولا تعطي المنتج لأشخاص آخرين إلا مع إرفاق دليل الاستعمال هذا معه.

## 2.1 شرح العلامات

## 1.2.1 إرشادات تحذيرية

تتبع الإرشادات التحذيرية إلى الأخطار الناشئة عند التعامل مع الجهاز. يتم استخدام الكلمات الدليلية التالية:



خطر

خطر!

• تشير لخطر مباشر يؤدي لإصابات جسدية خطيرة أو إلى الوفاة.



تحذير

تحذير!

• تشير لخطر محتمل قد يؤدي لإصابات جسدية خطيرة أو إلى الوفاة.



احترس!

احترس!

• تشير لموقف خطر محتمل يمكن أن يؤدي لإصابات جسدية أو أضرار مادية.

## 2.2.1 الرموز في دليل الاستعمال

يتم استخدام الرموز التالية في دليل الاستعمال هذا:

يُراعى دليل الاستعمال	
إرشادات الاستخدام ومعلومات أخرى مفيدة.	
التعامل مع مواد قابلة لإعادة التدوير	
لا تتخلص من الأجهزة الكهربائية البطاريات ضمن القمامة المنزلية	
Hilti بطارية أيونات الليثيوم	
Hilti جهاز الشمن	

## 3.2.1 الرموز في الصور

تستخدم الرموز التالية في الرسوم التوضيحية:

2	تشير هذه الأعداد إلى الصورة المعنية في بداية دليل الاستعمال هذا.
3	تشير الأرقام في الصور إلى خطوات العمل المهمة أو إلى الأجزاء المهمة لخطوات العمل. يتم إبراز هذه الخطوات أو الأجزاء في النص من خلال الأرقام، على سبيل المثال (3).
11	يتم استخدام أرقام المواضع في صورة العرض العام وهي تشير إلى أرقام تعليق الصورة في فصل عرض عام للمنتج.
!	هذه العلامة من شأنها أن تُثير انتباهك جيداً عند التعامل مع المنتج.



### 3.1 الرموز المرتبطة بالمنتج

#### 1.3.1 الرموز

قد تكون الرموز التالية مستخدمة على المنتج:

عدد اللغات الاسمي في الوضع المحايد	$n_0$
تيار مستمر	---
عدد اللغات في الدقيقة	RPM
القطر	$\emptyset$
نصل المنشار	
ي دعم المنتج عملية نقل البيانات لاسلكياً، والتي تتوافق مع أجهزة آيفون وأندرويد.	
بطارية أيونات الليثيوم	Li-Ion
بطاريات أيونات الليثيوم Hilti المستخدمة من النوع. احرص على مراعاة التعليمات الواردة في الفصل الاستخدام المطابق للتعليمات.	
لا تستخدم البطارية أبداً كمطرقة.	
لا تدع البطارية تسقط. لا تستخدم بطارية تعرضت لصدمات أو أي نوع آخر من التلفيات.	

### 4.1 معلومات المنتج

منتجات **HILTI** مصممة للمستخدمين المحترفين ويقتصر استعمالها وصيانتها وإصلاحها على الأشخاص المعتمدين والمدربين جيداً. هؤلاء الأشخاص يجب أن يكونوا قد تلقوا تدريباً خاصاً على الأخطار الطارئة. قد يتسبب الجهاز وأدواته المساعدة في حدوث أضرار إذا تم التعامل معها بشكل غير سليم فنياً من قبل أشخاص غير مدربين أو تم استخدامها بشكل غير مطابق للتعليمات. يوجد مسمى الطراز والرقم المسلسل على لوحة الصنع.

◀ انقل الرقم المسلسل في الجدول التالي. ستحتاج إلى بيانات المنتج في حالة الاستفسارات الموجبة إلى ممثلينا أو مركز الخدمة.

#### بيانات المنتج

SF 70W-A22	المنشار الدائري
01	الجيل
	الرقم المسلسل

### 5.1 بيان المطابقة

نفر على مسئوليتنا الفردية بأن المنتج المشروع هنا متوافق مع التشريعات والمواصفات المعمول بها. تجد صورة لبيان المطابقة في نهاية هذا المستند.

المستندات الفنية محفوظة هنا:

Hilti Entwicklungsgesellschaft mbH | Zulassung Geräte | Hiltistraße 6 | 86916 Kaufering, DE

## 2 السلامة

### 1.2 إرشادات السلامة العامة المتعلقة بالأدوات الكهربائية

**⚠ تحذير احرص على قراءة جميع إرشادات السلامة، التوجيهات، الصور التوضيحية والمواصفات الفنية المرفقة مع هذه الأداة الكهربائية.** أي تقصير أو إهمال في الالتزام بالتعليمات التالية قد يتسبب في حدوث صق كهربائي، نشوب حريق و/أو وقوع إصابات خطيرة.

احتفظ بجميع مستندات إرشادات السلامة والتعليمات لاستخدامها عند الحاجة إليها فيما بعد.



يقصد بمصطلح «الأداة الكهربائية» المذكور في إرشادات السلامة الأدوات الكهربائية المشغلة بالكهرباء (باستخدام كابل الكهرباء) أو الأدوات الكهربائية المشغلة بالبطاريات (بدون كابل الكهرباء).

#### سلامة مكان العمل

- ◀ حافظ على نطاق عملك نظيفاً ومضاءً بشكل جيد. الفوضى أو أماكن العمل غير المضاءة يمكن أن تؤدي لوقوع حوادث.
- ◀ لا تعمل بالأداة الكهربائية في محيط معرض لخطر الانفجار يتواجد به سوائل أو غازات أو أنواع غبار قابلة للاشتعال. الأدوات الكهربائية تولد شرراً يمكن أن يؤدي لإشعال الغبار والأبغرة.
- ◀ احرص على إبعاد الأطفال والأشخاص الآخرين أثناء استخدام الأداة الكهربائية. في حالة انصراف انتباهك قد تفقد السيطرة على الجهاز.

#### السلامة الكهربائية

- ◀ يجب أن يكون قابس توصيل الأداة الكهربائية متلائماً مع المقبس. لا يجوز تعديل القابس بأي حال من الأحوال. لا تستخدم قوايس مهايأة مع أدوات كهربائية ذات وصلة أرضي محمية. القوايس غير المعدلة والمقابس الملائمة تقلل من خطر حدوث صدمة كهربائية.
- ◀ تجنب حدوث تلامس للجسم مع أسطح مؤرضة مثل الأسطح الخاصة بالمواسير وأجهزة التدفئة والمواد والطلاءات. ينشأ خطر متزايد من حدوث صدمة كهربائية عندما يكون جسمك متصلاً بالأرض.
- ◀ أبعد الأدوات الكهربائية عن الأمطار أو البلل. تسرب الماء إلى داخل الأداة الكهربائية يزيد من خطر حدوث صدمة كهربائية.
- ◀ لا تستخدم كابل التوصيل لحمل الأداة الكهربائية أو تعليقها أو لسحب القابس من المقبس. احتفظ بكابل التوصيل بعيداً عن السخونة والزيوت والحواف الحادة والأجزاء المتحركة. كبلات التوصيل التالفة أو المتشابكة تزيد من خطر حدوث صعق كهربائي.
- ◀ عندما تعمل بأداة كهربائية في مكان مكشوف، فلا تستخدم سوى كبلات الإطالة المناسبة للعمل في النطاق الخارجي. استخدام كابل إطالة مناسب للعمل في النطاق الخارجي يقلل من خطر حدوث صعق كهربائي.
- ◀ إذا تعذر تجنب تشغيل الأداة الكهربائية في محيط رطب، فاستخدم مفتاح حماية من تسرب التيار. استخدام مفتاح الحماية من تسرب التيار يقلل خطر حدوث صدمة كهربائية.

#### سلامة الأشخاص

- ◀ كن يقظاً وانتبه لما تفعل وتعامل مع الأداة الكهربائية بتعقل عند العمل بها. لا تستخدم الأداة الكهربائية عندما تكون متعباً أو تحت تأثير المخدرات أو الكحوليات أو العقاقير. فقد يتسبب عدم الانتباه للخطأ واحدة أثناء الاستخدام في حدوث إصابات بالغة.
- ◀ ارتد تجهيزات وقاية شخصية وارتد دائماً نظارة واقية. ارتداء تجهيزات وقاية شخصية، مثل قناع الوقاية من الغبار وأحذية الأمان المضادة للانزلاق وخوذة الوقاية أو واقي السمع، تبعاً لنوع واستخدام الأداة الكهربائية، يقلل من خطر الإصابات.
- ◀ تجنب التشغيل بشكل غير مقصود. تأكد أن الأداة الكهربائية مطفاة قبل توصيلها بالكهرباء و/أو بالبطارية وقبل رفعها أو حملها. إذا كان إصبعك على المفتاح عند حمل الأداة الكهربائية أو كان الجهاز في وضع التشغيل عند التوصيل بالكهرباء، فقد يؤدي ذلك لوقوع حوادث.
- ◀ أبعد أدوات الضبط أو مفاتيح ربط البراغي قبل تشغيل الأداة الكهربائية. الأداة أو المفتاح المتواجد في جزء دوار من الجهاز يمكن أن يؤدي لحدوث إصابات.
- ◀ تجنب اتخاذ وضع غير طبيعي للجسم. احرص على أن تكون واقفاً بأمان وحافظ على توازنك في جميع الأوقات. من خلال ذلك تستطيع السيطرة على الأداة الكهربائية بشكل أفضل في المواقف المفاجئة.
- ◀ ارتد ملابس مناسبة. لا ترتد ملابس فضفاضة أو حلي. احرص على أن يكون الشعر والملابس والقفاصات بعيدة عن الأجزاء المتحركة. الملابس الفضفاضة أو الحلي أو الشعر الطويل يمكن أن تشبكت في الأجزاء المتحركة.
- ◀ إذا أمكن تركيب تجهيزات شطف وتجميع الغبار، فتأكد أنها موصلة ومستخدمة بشكل سليم. استخدام تجهيزة شطف الغبار يمكن أن يقلل الأخطار الناتجة عن الغبار.
- ◀ لا تعتقد بأنك في مأمن عن الخطر ولا تتجاهل تشريعات السلامة المعنية للأدوات الكهربائية، حتى وإن كنت على دراية بالأداة الكهربائية بعد تكرار استخدامها. التعامل مع الجهاز بدون حذر قد يؤدي إلى وقوع إصابات بالغة في جزء من الثانية.

#### استخدام الأداة الكهربائية والتعامل معها

- ◀ لا تفرط في التحميل على الجهاز. استخدم الأداة الكهربائية المناسبة للعمل الذي تقوم به. استخدام الأداة الكهربائية المناسبة يتيح لك العمل بشكل أفضل وأكثر أماناً في نطاق العمل المقرر.



- ◀ لا تستخدم أداة كهربائية ذات مفتاح تالف. الأداة الكهربائية التي لم يعد يمكن تشغيلها أو إطفائها تمثل خطورة ويجب إصلاحها.
- ◀ اسحب القابس من المقبس و/أو اخلع البطارية القابلة للخلع من الجهاز قبل إجراء عمليات الضبط، أو استبدال أجزاء الملحقات أو عند ترك الجهاز. هذا الإجراء الوقائي يمنع بدء تشغيل الأداة الكهربائية دون قصد.
- ◀ احتفظ بالأدوات الكهربائية غير المستخدمة بعيدا عن متناول الأطفال. لا تسمح باستخدام الجهاز من قبل أشخاص ليسوا على دراية به أو لم يقرأوا هذه التعليمات. الأدوات الكهربائية خطيرة في حالة استخدامها من قبل أشخاص ليست لديهم الخبرة الواجبة.
- ◀ اعتني جيدا بالأدوات الكهربائية والملحقات. افحص الأجزاء المتحركة من حيث أمانها لوظيفتها بدون مشاكل وعدم انحصارها وافحصها من حيث وجود أجزاء مكسورة أو متعرضة للضرر يمكن أن تؤثر سلبا على وظيفة الأداة الكهربائية. اعمل على إصلاح الأجزاء التالفة قبل استخدام الجهاز. الكثير من الحوادث مصدرها الأدوات الكهربائية التي تم صيانتها بشكل رديء.
- ◀ حافظ على أدوات القطع حادة ونظيفة. تتميز أدوات القطع ذات حواف القطع المادة المعتنى بها بدقة بأنها أقل عرضة للتعثُر وأسهل في التعامل.
- ◀ استخدم الأداة الكهربائية والملحقات وأدوات العمل وخلافه طبقا لهذه التعليمات. احرص في هذه الأثناء على مراعاة اشتراطات العمل والمهمة المراد تنفيذها. استخدام الأدوات الكهربائية في تطبيقات غير تلك المقررة لها يمكن أن يؤدي لمواقف خطيرة.
- ◀ حافظ على المقابض ومواقع المسك في حالة جافة ونظيفة وخالية من الزيت والشحم. المقابض ومواقع المسك الانزلاقية تحول دون استعمال الأداة الكهربائية والتحكم بها بشكل آمن في المواقف غير المتوقعة.

#### استخدام الأداة العاملة بالبطارية والتعامل معها

- ◀ لا تشحن البطارية إلا في أجهزة شحن موصى بها من قبل الجهة الصانعة. بالنسبة لجهاز الشحن المناسب لنوع معين من البطاريات، ينشأ خطر الحريق عند استخدامه مع بطاريات أخرى.
- ◀ لا تضع في الأدوات الكهربائية سوى البطاريات المخصصة لها. استخدام بطاريات أخرى يمكن أن يؤدي لوقوع إصابات وخطر الحريق.
- ◀ أبعد البطارية غير المستخدمة عن مشابك الورق وقطع النقود المعدنية والمفاتيح والمسامير والبراغي أو الأشياء المعدنية الصغيرة الأخرى التي يمكن أن تتسبب في توصيل الملامسين لبعضهما. حدوث قفلة كهربائية بين أطراف توصيل البطارية يمكن أن ينتج عنه حدوث حروق أو نشوب حريق.
- ◀ عند الاستخدام بشكل خاطئ يمكن أن يتسرب سائل من البطارية. تجنب ملامسته. اشطفه بالماء في حالة ملامسته عن طريق الخطأ. إذا وصل السائل للعينين، فتوجه للطبيب علاوة على ذلك. سائل البطارية المتسرب يمكن أن يؤدي لتبيح البشرة أو حدوث حروق.
- ◀ لا تستخدم بطارية تالفة أو مختلفة. البطاريات التالفة أو المختلفة قد تتفاعل مع نفسها بشكل غير متوقع مما يؤدي لنشوب حريق أو حدوث انفجار أو وقوع إصابات.
- ◀ لا تعرض البطارية للنار أو لدرجات حرارة مرتفعة للغاية. حيث قد تؤدي النار ودرجات الحرارة الزائدة عن 130 °م (265 °ف) إلى حدوث انفجار.
- ◀ التزم بكافة التعليمات المعنية بالشحن، ولا تقم أبداً بشحن البطارية أو الأداة العاملة بالبطارية خارج نطاق درجة الحرارة الوارد ذكره في دليل التشغيل. الشحن بشكل خاطئ أو خارج نطاق درجة الحرارة المسموح به قد يتلف البطارية ويزيد من خطر الحريق.

#### الخدمة

- ◀ اعمل على إصلاح أدواتك الكهربائية على أيدي فنيين معتمدين فقط والاقتصار على استخدام قطع الغيار الأصلية. وبذلك تتأكد من الحفاظ على سلامة الجهاز.
- ◀ لا تقم أبداً بصيانة البطاريات التالفة. يجب أن تتم جميع أعمال الصيانة بمعرفة الجهة الصانعة فقط أو من خلال مراكز خدمة العملاء المعتمدين.

## 2.2 إرشادات السلامة لجميع المناشير

### عمليات النشر

- ◀ ⚠️ خطر: لا تدخل يديك في نطاق النشر ولا تلامس شفرة المنشار. أمسك المقبض الإضافي أو جسم المحرك بيدك الثانية. عندما تُمسك المنشار بيدك لا يمكن لشفرة المنشار أن تصيبهما بجروح.
- ◀ لا تضع يدك تحت قطعة الشغل. فالغطاء الواقي لا يمكن أن يحميك من شفرة المنشار أسفل قطعة الشغل.
- ◀ قم بمواءمة عمق القطع مع سُمك قطعة الشغل. ويجب ألا يظهر من الشفرة أسفل قطعة الشغل إلا جزء أقل من الارتفاع الكامل للسنون.



- لا تمسك قطعة الشغل التي تريد قطعها بالمنشار أبداً باليد أو تضعها فوق ساك. وقم بتثبيت قطعة الشغل على قاعدة ثابتة. ومن المهم تثبيت قطعة الشغل جيداً للحد من خطر ملامسة أجزاء الجسم أو انحصار شفرة المنشار أو فقدان السيطرة عليها.
  - أمسك الأداة الكهربائية فقط من مواضع المسك المعزولة عند إجراء أعمال يحتمل فيها أن تتلامس أداة الشغل مع أسلاك كهربائية مخفية. حيث إن ملامسة سلك يسري فيه التيار الكهربائي من شأنه أيضاً أن ينقل الجهد الكهربائي للأجزاء المعدنية بالأداة الكهربائية ويؤدي لحدوث صدمة كهربائية.
  - عند القطع الطولي استخدم دائماً مصداً أو مجرى دليلاً مستقيماً للحواف. ومن شأن ذلك تحسين دقة القطع وتقليل احتمالية انحصار شفرة المنشار.
  - استخدم دائماً شفرات منشار بالمقاس الصحيح وتجويف تركيب مناسب (على شكل نجمة أو مستدير مثلاً). فشفرات المنشار التي لا تتناسب مع أجزاء التركيب بالمنشار تدور بدون انتظام وتؤدي إلى فقدان السيطرة على الجهاز.
  - لا تستخدم أبداً وردات أو براغي متضررة أو غير مناسبة لشفرات المنشار. فهناك وردات وبراعي لشفرات المنشار صُممت خصيصاً لمشارِك لضمان القدرة والسلامة التشغيلية المثالية.
- الحركة الارتدادية - الأسباب وإرشادات السلامة المعنية**
- الارتداد عبارة عن رد فعل مفاجئ نتيجة لشفرة منشار عالقة أو محشورة أو موجهة بشكل غير صحيح، وهو ما يؤدي إلى ارتفاع المنشار بشكل منفلت وتحركه بعيداً عن قطعة الشغل باتجاه المستخدم.
  - عندما تنحصر شفرة المنشار أو تعلق في شق النشر المنغلق، فإنها تتعرض للإعاقة، وعندئذٍ تدفع قوة المحرك المنشار في اتجاه المستخدم،
  - في حالة التواء شفرة المنشار أثناء عملية القطع أو في حالة توجيهها بشكل غير صحيح، فمن الممكن أن تعلق أسنان الحافة الخلفية لشفرة المنشار في سطح قطعة الشغل، وهو ما يتسبب في خروج شفرة المنشار من شق النشر وارتداد المنشار باتجاه المستخدم.
- يحدث ارتداد الجهاز نتيجة للاستخدام الخاطئ للمنشار. ويمكن تفادي حدوثه من خلال اتخاذ الإجراءات الوقائية المناسبة كما هو مشروع فيما يلي.
- أمسك المنشار جيداً بكلتا اليدين وبعيداً عن ذراعيك في وضع يمكنك من امتصاص قوى الارتداد.
  - قف دائماً في وضع جانبي لشفرة المنشار، ولا تجعل شفرة المنشار على خط واحد أبداً مع جسمك. في حالة حدوث ارتداد يمكن أن يرتد المنشار الدائري للخلف، غير أن المستخدم يمكنه السيطرة على قوى الارتداد من خلال اتخاذ الإجراءات الوقائية المناسبة.
  - إذا تعرضت شفرة المنشار للانحصار أو توقفت عن العمل، فأوقف المنشار واحتفظ به في قطعة الشغل في وضع متزن، إلى أن تتوقف شفرة المنشار تماماً. لا تحاول أبداً نزع المنشار من قطعة الشغل أو سحبه للخلف طالما كانت شفرة المنشار تتحرك، وإلا فقد يحدث ارتداد. حدد سبب انحصار شفرة المنشار وتغلب عليه.
  - إذا أردت إعادة تشغيل منشار وهو داخل قطعة الشغل، فقم بمركزة شفرة المنشار في شق النشر وتحقق من أن أسنان المنشار ليست عالقة في قطعة الشغل، وإذا كانت شفرة المنشار عالقة، فمن الممكن أن تتحرك خارج قطعة الشغل أو تتسبب في حدوث ارتداد عند تشغيل المنشار مجدداً.
  - قم بتدعيم الألواح العريضة لتفادي خطر حدوث ارتداد بفعل شفرة المنشار العالقة. فالألواح العريضة يمكن أن تنتهي بفعل وزنها الذاتي. ويجب تدعيم الألواح من الجانبين، سواء بالقرب من شق القطع أو عند الحافة.
  - لا تستخدم شفرات منشار ثلثة أو متضررة. فشفرات المنشار ذات الأسنان الثلثة أو المتماذبة بشكل غير صحيح تتسبب في زيادة الاحتكاك وانحصار شفرة المنشار وحدوث الارتداد، وذلك بفعل ضيق شق النشر.
  - تحقق من أوضاع ضبط عمق القطع وزاوية القطع قبل البدء في القطع بالمنشار. ففي حالة تغيير أوضاع الضبط أثناء القطع بالمنشار يمكن أن تتعرض شفرة المنشار للانحصار ويحدث ارتداد.
  - احرص على توخي الحذر الشديد عند القطع بالمنشار في الجدران القائمة أو النطاقيات الأخرى الكامنة. فشفرة المنشار المتوغلة في السطح يمكن أن تصطدم بأشياء مخفية أثناء القطع وتتسبب في حدوث ارتداد.

### 3.2 إرشادات إضافية للسلامة

#### سلامة الأشخاص

- لا يسمح بإجراء أية تدخلات أو تغييرات على الجهاز.
- أمسك الجهاز دائماً بيدك من المقابض المعنية. حافظ على المقابض جافة ونظيفة وخالية من الزيت والشحم.
- استخدم واقياً للسمع. لذا يرجى مراعاة أن الضجيج الصاخب يمكن أن يُفقد القدرة على السمع.



- ◀ إذا تم تشغيل الجهاز دون استخدام شفاط للغبار، فإنه يجب استخدام واقٍ خفيف للتنفس عند إجراء أعمال يتولد عنها غبار.
- ◀ احرص على تشغيل الجهاز باستخدام تجهيزات الحماية الخاصة به فقط.
- ◀ خذ قسطاً من الراحة أثناء العمل واحرص على عمل تمارين استرخاء وتمارين للأصابع لغرض سريان الدم في الأصابع بشكل أفضل.
- ◀ الجهاز غير مخصص للاستخدام من قبل الأشخاص ذوي البنية الضعيفة دون تدريبهم.
- ◀ احفظ الجهاز بعيداً عن متناول الأطفال.
- ◀ لا تقم بتشغيل المنتج إلا في مكان العمل.
- ◀ اخلع البطارية عند تخزين ونقل الجهاز.
- ◀ لا تعمل بالمنتج فوق مستوى الرأس.
- ◀ لا تكبح المنتج من خلال الضغط على نصل المنشار من الجانب.
- ◀ يجب أن يكون مسار القطع خالياً من أية عوائق. لا تقطع براغي أو مسامير وما شابه بالمنشار.
- ◀ لا تلمس فلانشة الشد أو برغي الشد أثناء تشغيل الجهاز.
- ◀ لا تضغط أبداً على الزر الانضغاطي لتثبيت البريمة أثناء دوران نصل المنشار.
- ◀ لا تصوب الجهاز نحو الأشخاص.
- ◀ قم بموازنة قوة الدفع على نصل المنشار مع الخامة التي تقطعها بحيث لا يتعرض نصل المنشار للإعاقة ويتسبب في حدوث ارتداد في بعض الأحيان.
- ◀ تجنب وصول رؤوس أسنان المنشار إلى درجات حرارة مفرطة.
- ◀ أثناء نشر الخامات البلاستيكية يجب تجنب انصهار البلاستيك.
- ◀ الغبار الناتج عن خامات مثل الطلاء المحتوي على الرصاص وبعض أنواع الأخشاب والخرسانة/الجدران والصفور المحتوية على الكوارتز والمعادن الصخرية والمعادن هو غبار ضار بالصحة. ملامسته أو استنشاقه قد يسبب أعراض حساسية و/أو أمراض الجهاز التنفسي للمستخدم أو للأشخاص المتواجدين على مقربة منه. هناك أنواع معينة مسرطنة من الغبار مثل غبار خشب البلوط أو غبار خشب الزان، ولا سيما إذا ارتبطت هذه الأنواع بمواد إضافية لمعالجة الأخشاب (مثل الكروم ومواد حماية الأخشاب). لا يجوز التعامل مع المواد المحتوية على الأسبستوس إلا من قبل فنيين متخصصين. استخدم شفاط الغبار حيثما أمكن.
- ◀ للحصول على درجة شفاط عالية للغبار، استخدم مزبل الغبار المحمول المناسب. احرص عند اللزوم على ارتداء قناع تنفس مخصص لنوعية الغبار المنبعث. احرص على توفير تهوية جيدة لمكان العمل. احرص على مراعاة التعليمات السارية في بلدك بخصوص المواد المراد التعامل معها.
- ◀ احرص قبل بدء العمل على معرفة فئة خطر الغبار الناشئ عند إجراء العمل. استخدم شفاط غبار أعمال الإنشاءات ذي فئة حماية مصرح بها رسمياً ومطابقاً للتعليمات المحلية الخاصة بالحماية من الغبار.
- ◀ يرجى مراعاة قوانين حماية العمال المحلية.

#### السلامة الكهربائية

- ◀ قبل بدء الأعمال افحص نطاق العمل من حيث وجود توصيلات كهرباء مغطاة أو مواشير للغاز والماء، مثلاً باستخدام جهاز للكشف عن المعادن. الأجزاء المعدنية الخارجية بالجهاز يمكن أن يسري فيها الجهد الكهربائي، وذلك إذا قمت سبواً بإتلاف إحدى توصيلات التيار على سبيل المثال. ويمثل هذا خطراً شديداً من خلال حدوث صدمة كهربائية.

#### التعامل بعناية مع الأجهزة العاملة بالبطاريات واستخدامها

- ◀ تراعى التعليمات الخاصة لنقل وتخزين وتشغيل بطاريات أيونات الليثيوم.
- ◀ احفظ البطاريات بعيداً عن درجات الحرارة العالية والنيران. حيث ينشأ خطر الانفجار.
- ◀ لا يجوز تفكيك البطاريات أو سحقها أو وضعها في درجة حرارة أعلى من 80°م (176°ف) أو حرقها. وإلا فإن ذلك يشكل خطر وقوع حريق أو انفجار أو اكتواء.
- ◀ لا يجوز شحن أو مواصلة استخدام البطاريات التالفة (مثل البطاريات التي بها شروخ أو بها أجزاء مكسورة أو أطراف توصيلها مثنية أو مرتدة و/أو مخلوطة).
- ◀ لا تستخدم البطاريات كمصدر طاقة لأجهزة أخرى مستهلكة للتيار غير مناسبة لذلك.
- ◀ في حالة السخونة الشديدة للبطارية بحيث يتعذر الإمساك بها، فقد تكون تالفة. احرص على وضع الجهاز في مكان غير قابل للاشتعال وعلى مسافة كافية من الخامات القابلة للاشتعال، وحيث يمكن مراقبة البطارية، واتركه حتى يبرد. اتصل بخدمة Hilti بعدما تبرد البطارية.





## 4.2 إرشادات إضافية للسلامة خاصة بالمناشير الدائرية

- ◀ اضغط المنشار اليدوي الدائري على قطعة الشغل وهو مشغل فقط.
- ◀ يجب أن يكون مسار القطع من أعلى وأسفل خالياً من أية عوائق. لا تقطع بالمنشار براغي، مسامير أو ما شابه.
- ◀ لا تعمل أبداً بمنشار دائري فوق مستوى الرأس.
- ◀ لا تقم أبداً بكبح شفرة المنشار من خلال الضغط عليها من الجانب.
- ◀ تجنب وصول رؤوس أسنان المنشار إلى درجات حرارة مفرطة.
- ◀ استخدام دائماً شفرة منشار مناسبة لقطع موضع الشغل.
- ◀ اقتصر على استخدام شفرات المناشير الموصى بها من Hilti، والتي تطابق المواصفة EN 847-1.

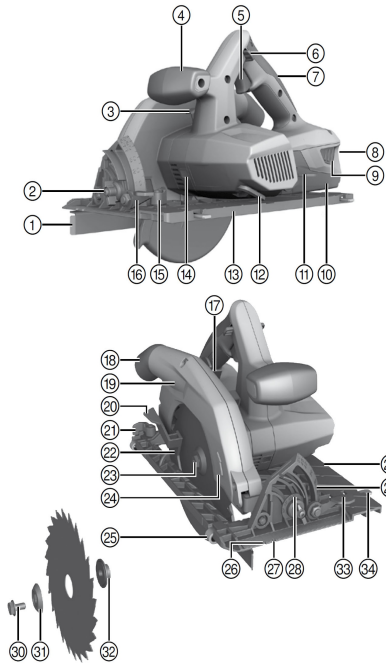
## 5.2 التعامل بعناية مع الأجهزة العاملة بالبطاريات واستخدامها

- ◀ تراعى التعليمات الخاصة لنقل وتخزين وتشغيل بطاريات أيونات الليثيوم.
- ◀ أبعد البطاريات عن النار ودرجات الحرارة المرتفعة وأشعة الشمس المباشرة.
- ◀ لا يجوز تفكيك البطاريات أو سحقها أو وضعها في درجة حرارة أعلى من 80°م (176°ف) أو حرقها.
- ◀ لا تستخدم أو تشحن البطاريات التي تعرضت لصدمات، أو سقطت من ارتفاع يزيد على متر أو تعرضت لأية أضرار أخرى. في هذه الحالة، تواصل دائماً مع خدمة Hilti.
- ◀ في حالة السخونة الشديدة للبطارية بحيث يتعذر الإمساك بها، فقد تكون تالفة. احرص على وضع البطارية في مكان مرئي وغير قابل للاشتعال مع وجود مسافة كافية من الخامات القابلة للاشتعال. اترك البطارية تبرد. إذا ظلت البطارية ساخنة بعد مرور ساعة لدرجة تعذر لمسها، فهذا يعني أنها تالفة. اتصل بمركز خدمة Hilti.



1.3 نظرة عامة على المنتج 1

- ① مصد قطع متوازي أحادي الذراع
- ② الضبط الأولي لزاوية القطع (22,5°, 45°, 50°)
- ③ زر تثبيت البريمة
- ④ المقبض الإضافي
- ⑤ مفتاح التشغيل/الإيقاف
- ⑥ مانع التشغيل
- ⑦ المقبض
- ⑧ بيان حالة الشحن وبيان الأخطاء (بطارية أيونات الليثيوم)
- ⑨ أزرار تحرير ذات وظيفة إضافية لتفعيل بيان حالة الشحن
- ⑩ البطارية
- ⑪ ذراع زنق لضبط عمق القطع
- ⑫ مفتاح سداسي الرأس
- ⑬ قاعدة ارتكاز صغيرة
- ⑭ لمبة LED
- ⑮ ذراع زنق لمصد القطع المتوازي أماما
- ⑯ ذراع زنق لوضع زاوية القطع
- ⑰ تدريع عمق القطع
- ⑱ فوهة توصيل (قناة البرادة)
- ⑲ غطاء واقئ
- ⑳ ذراع استعمال الغطاء الواقئ المتحرك
- ㉑ ذراع زنق لمصد القطع المتوازي خلفا (يسري على قاعدة الارتكاز الكبيرة فقط)
- ㉒ الغطاء الواقئ المتحرك
- ㉓ بريمة الإدارة
- ㉔ سهم اتجاه الدوران
- ㉕ مصد قطع متوازي ثنائي الأذرع
- ㉖ علامة القطع 0°
- ㉗ علامة القطع 45°
- ㉘ تدريع زاوية القطع
- ㉙ قاعدة ارتكاز كبيرة
- ㉚ برغي الشد
- ㉛ فلانشة الشد
- ㉜ فلانشة التثبيت
- ㉝ قاعدة ارتكاز بعلامة حز بزاوية 0°
- ㉞ قاعدة ارتكاز بعلامة حز بزاوية من 1° إلى 50°



2.3 مهايئ المجرى الدليلي 2

- ③٥ أطراف تثبيت خلفية
- ③٦ طرف التثبيت الأمامي
- ③٧ علامة حز بزاوية 0°
- ③٨ علامة حز بزاوية من 1° إلى 50°

3.3 الاستخدام المطابق للتعليمات

المنتج الموضح عبارة عن منشار دائري مشغل بالبطارية. الجهاز مخصص لأعمال النشر في الخشب والخامات الشيبية بالخشب والبلاستيك وملاط الجبس وألواح ألياف الجبس والخامات المترابطة. المنشار الدائري اليدوي مزود بفوهة توصيل قابلة للفك لشفاط الغبار/مزبل الغبار الاختياري، والتي تم تصميمها للاستخدام مع خراطيم الشفافات المتداولة. لربط خرطوم الشفاط بالمنشار يلزم وجود مهايئ مناسب. لا يُسمح باستخدام أنصال المناشير التي لا تطابق المواصفات المذكورة (من حيث القطر أو عدد اللفات أو السمك مثلا) وكذلك أسطوانات القطع أو التجليخ وأنصال المناشير المصنوعة من فولاذ القطع السريع عالي السبك (فولاذ HSS). لا يُسمح بنشر المعادن.



- لا تستخدم المنتج لنشر أفرع وجذوع الأشجار.
- اقتصر على استخدام بطاريات أيونات الليثيوم Hilti من النوع B 22 مع هذا المنتج.
- اقتصر على استخدام أجهزة شحن Hilti من الفئة C4/36 لهذه البطاريات.

### 4.3 بيان بطارية أيونات الليثيوم

يتم الإشارة إلى حالة شحن بطارية أيونات الليثيوم واختلالات الجهاز عن طريق مابين بطارية أيونات الليثيوم. يتم عرض حالة شحن بطارية أيونات الليثيوم بعد النقر على أحد زرّي تحرير البطارية.

الحالة	الاستعمال
تضيء أربع لمبات LED.	حالة الشحن: 75 % إلى 100 %
تضيء ثلاث لمبات LED.	حالة الشحن: 50 % إلى 75 %
تضيء اثنتان من لمبات LED.	حالة الشحن: 25 % إلى 50 %
تضيء لمبة LED واحدة.	حالة الشحن: 10 % إلى 25 %
تومض لمبة LED واحدة، الجهاز مستعد للتشغيل.	حالة الشحن: > 10 %
تومض لمبة LED واحدة، الجهاز غير مستعد للتشغيل.	البطارية شديدة السخونة أو شحنها فرغت تماما.
تومض لمبات LED الأربع، الجهاز غير مستعد للتشغيل.	يوجد تحميل زائد على الجهاز أو الجهاز شديد السخونة.

**i** لا يمكن الاستعلام عن حالة شحن البطارية عند الضغط على مفتاح التحكم أو مرور 5 ثوان من ترك مفتاح التحكم. في حالة وميض لمبات LED الخاصة بمبين البطارية يرجى مراعاة الإرشادات الواردة في فصل المساعدة في حالات الاختلالات.

### 5.3 المصدر المتوازي

من خلال المصدر المتوازي أحادي الذراع يمكن إجراء عمليات قطع دقيقة بطول حافة قطعة الشغل، كما يمكن قطع ألواح متساوية الأبعاد. يمكن تركيب المصدر المتوازي على جانبي قرص الارتكاز.

### 6.3 مجموعة التجهيزات الموردة

المنشار الدائري، شفرة المنشار، المفتاح سداسي الرأس المجوف، المصدر المتوازي، فوهة توصيل لشفاط الغبار، دليل الاستعمال، (اختياري: مهايئ القضيب الدليلي)

**i** تجد قطع الغيار وخامات الشغل والملحقات المصرح بها من قبلنا للمنتج الخاص بك في متجر **Hilti Store** أو على موقع الإنترنت: [www.hilti.group](http://www.hilti.group).

### 7.3 الملحقات التكميلية

فلايشة الشد، فلايشة التثبيت، برغي الشد.

## 4 المواصفات الفنية

### 1.4 المنشار الدائري

SC 70W-A22	
21.6 فلت	الجهد الكهربائي الاسمي
4.8 كجم	الوزن طبقا لبروتوكول EPTA-Procedure 01
190 مم	القطر المقرر لنصل المنشار
0.7 مم ... 1.5 مم	سُمك النصل الفولاذي
1.5 مم ... 2 مم	عرض القاطع
30 مم	تجويف تركيب نصل المنشار



SC 70W-A22	عدد اللغات الاسمي لوضع الدوران على الفارغ
3,500 لفة/دقيقة	أقصى عمق للقطع 0°
70 مم	أقصى عمق للقطع 45°
51 مم	أقصى عمق للقطع 50°
45 مم	زاوية القطوع المائلة
0 درجة ... 50 درجة	درجة حرارة التشغيل
10-° م ... 50 °م	درجة حرارة التخزين (دون مركم)
30-° م ... 70 °م	

## 2.4 البطارية

21.6 فلت	جهد تشغيل البطارية
17-° م ... 60 °م	درجة الحرارة المحيطة أثناء التشغيل
20-° م ... 40 °م	درجة حرارة التخزين
10-° م ... 45 °م	درجة حرارة البطارية عند بدء الشحن

## 3.4 تتوافق معلومات الضجيج وقيم الاهتزاز مع المواصفة EN 62841

تم قياس قيم ضغط الصوت والاهتزاز الواردة في هذا الدليل طبقاً لعملية قياس معيارية ويمكن الاستعانة بها في مقارنة الأدوات الكهربائية مع بعضها البعض. وهو يصلح أيضاً لتقدير المخاطر بصورة مؤقتة. المواصفات الواردة تتعلق بالاستخدامات الأساسية للأداة الكهربائية. أما إذا تم استخدام الأداة الكهربائية في تطبيقات أخرى مع أدوات شغل مخالفة للمواصفات أو دون صيانة كافية، ففي هذه الحالة قد تختلف البيانات. وقد يزيد هذا من المخاطر خلال مدة العمل بالكامل بصورة واضحة. ولتقدير المخاطر تقديراً دقيقاً ينبغي أيضاً مراعاة الأوقات التي يتم فيها إيقاف الجهاز أو التي يكون فيها الجهاز مشغولاً ولكن دون استخدام حقيقي. وقد يقلل هذا من المخاطر خلال مدة العمل بالكامل بصورة واضحة. احرص على مراعاة تدابير السلامة الإضافية لحماية المستخدم من تأثير الصوت و/أو الاهتزازات مثل: صيانة الأداة الكهربائية وأدوات العمل والحفاظ على الأيدي في حالة دافئة وتنظيم مراحل العمل.

## قيم انبعاثات الضجيج محتسبة طبقاً للمواصفة EN 62841

SC 70W-A22	مستوى شدة الصوت ( $L_{WA}$ )
103 ديسيبل (A)	نسبة التفاوت لمستوى شدة الصوت ( $K_{WA}$ )
3 ديسيبل (A)	مستوى ضغط الصوت ( $L_{pA}$ )
92 ديسيبل (A)	نسبة التفاوت لمستوى ضغط الصوت ( $K_{pA}$ )
3 ديسيبل (A)	

تم تحديد قيم الاهتزاز الإجمالية (محصلة متجهات الاهتزاز ثلاثية المحاور)، حسب EN 62841

SC 70W-A22	قيم انبعاث الاهتزازات عند النشر في الخشب ( $A_{h, w}$ )
0.93 م/ثانية <sup>2</sup>	نسبة التفاوت (K)
1.5 م/ثانية <sup>2</sup>	

## 5 الاستعمال

### 1.5 التحضير للعمل

#### 1.1.5 شحن البطارية

- قبل الشحن، قم بقراءة دليل استعمال جهاز الشحن.
- احرص على أن تكون أطراف تلامس البطارية وجهاز الشحن نظيفة وجافة.
- قم بشحن البطارية باستخدام شاحن مصرع به. 172



**خطر الإصابة من خلال قفلة كهربائية أو سقوط البطارية!**

- تأكد قبل تركيب البطاريات في الجهاز من عدم وجود أجسام غريبة بين أطراف توصيل البطارية والجهاز.
- تأكد من تثبيت البطارية بشكل صحيح دائماً.

- اشحن البطارية لآخرها تماماً قبل التشغيل لأول مرة.
- قم بتحرك البطارية في المنتج إلى أن تستقر في موضعها بصوت مسموع.
- تفحص البطارية من حيث ثباتها في موضعها بشكل جيد.

**3.1.5 خلع البطارية**

- اضغط على أزرار تحرير البطارية.
- اخلع البطارية من الجهاز.

**4.1.5 خلع نصل المنشار**

- خطر الإصابة بحروق أو جروح بواسطة شفرة المنشار وبرغي الشد وفلاشة الشد وقد يؤدي ذلك إلى الإصابة بحروق أو الإصابة بجروح قطعية.**
- استخدم قفازاً واقياً لغرض تغيير الأداة.

- اخلع البطارية.
- ضع المفتاح سداسي الرأس المجوف على برغي شد نصل المنشار.
- اضغط على زر تثبيت البريمة واحتفظ به مضغوطاً.
- أدر برغي شد نصل المنشار باستخدام المفتاح سداسي الرأس إلى أن يثبت زر تثبيت البريمة تماماً.
- قم بخل برغي الشد باستخدام المفتاح سداسي الرأس المجوف من خلال الإدارة في اتجاه سهم اتجاه الدوران.
- اخلع برغي الشد وفلاشة الشد الخارجية.
- افتح الغطاء الواقي المتحرك من خلال تحريكه جانباً ثم اخلع نصل المنشار.

عند الحاجة يمكن خلع فلاشة التثبيت لغرض التنظيف.

**5.1.5 تركيب نصل المنشار**

- خطر حدوث أضرار! أنصال المنشار غير المناسبة أو المركبة بشكل خاطئ يمكن أن تعرض المنشار للضرر.**
- اقتصر على استخدام أنصال المنشار المناسبة لهذا المنشار. انتبه إلى سهم اتجاه الدوران الموضح على نصل المنشار.
  - اقتصر على استخدام شفرات المنشار التي يقل عدد لفاتها المسموع به عن الحد الأقصى لعدد اللفات المذكور على الجهاز.

**تأكد من أن نصل المنشار المراد تركيبه مع الجهاز يفي بالمتطلبات التقنية وأنه مشحوناً بشكل جيد.** حيث يعتبر نصل المنشار المراد تركيبه شرطاً أساسياً للقطع بالمنشار بدون مشاكل.



- اخلع البطارية.
- قم بتنظيف فلاشة التثبيت وفلاشة الشد.
- قم بتركيب فلاشة التثبيت على بريمة الإدارة في الاتجاه الصحيح.
- افتح الغطاء الواقي المتحرك.
- قم بتركيب نصل المنشار الجديد.
- قم بتركيب فلاشة الشد الخارجية في الاتجاه الصحيح.
- أدخل برغي التثبيت.
- ضع المفتاح سداسي الرأس المجوف على برغي شد نصل المنشار.
- اضغط زر تثبيت البريمة.



10. قم بتثبيت فلانشة الشد باستخدام برغي الشد من خلال إدارة المفتاح سداسي الرأس عكس سهم اتجاه الدوران.  
 ◀ فيتم تثبيت زر تثبيت البريمة.  
 11. قبل تشغيل الجهاز تحقق من إحكام ربط نصل المنشار ومن وضعه في مكانه الصحيح.

### 6.1.5 ضبط عمق القطع 5

1. اخلع البطارية.
2. قم بتحرير ذراع الزنق لضبط عمق القطع.
3. ارفع المنتج بمركة مقصية الشكل واضبط عمق القطع من خلال إحكام ربط ذراع الزنق.

يتعين دائماً اختيار عمق القطع المضبوط على قيمة أكبر من سُمك الخامة التي يتم قطعها بالمنشار بحوالي 5 إلى 10 مم.  
 يمكن قراءة العمق المضبوط من خلال المؤشر والتدريج الموجود على ظهر الغطاء الواقي.

### 7.1.5 ضبط زاوية القطع 6

1. اخلع البطارية.
2. قم بتحرير ذراع الزنق لضبط زاوية القطع.
3. حرك المنتج إلى الوضع المرغوب.

يتبع الضبط الأولي لزاوية القطع الضبط السهل للزاوية القصوى 22,5°/45°/50°

4. قم بشد ذراع الزنق الخاص بضبط زاوية القطع جيداً.

### 8.1.5 النشر بعد التحديد 7

يشتمل قرص الارتكاز الأمامي للمنشار الدائري على مؤشر تحديد (0° و 45°) يتم استخدامه أثناء عمليات القطع المستقيم والمائل على السواء. وبذلك يمكن ضمان دقة القطع حسب زاوية القطع المختارة. وتتطابق حافة التحديد مع الجهة الداخلية لنصل المنشار. كما يوجد مؤشر تحديد في القطاع الأمامي من نصل المنشار.

قم بتثبيت قطعة الشغل لليلولة دون تحركها.  
 قم بوضع قطعة الشغل بحيث تضمن تحرك شفرة المنشار أسفلها دون عائق.  
 تحقق من إقفال مفتاح التشغيل/الإيقاف بالمنتج.  
 قم بوضع المنتج مع قاعدة الارتكاز على قطعة الشغل بحيث لا يحدث تلامس بين شفرة المنشار وقطعة الشغل.

1. قم بتركيب البطارية.
2. قم بتشغيل المنتج بينما مانع التشغيل مضغوط من خلال الضغط على مفتاح التشغيل/الإيقاف.
3. قم بتحريك المنتج على قطعة الشغل على طول علامات التحديد بسرعة شغل مناسبة.

### 9.1.5 تركيب/ضبط المصد المتوازي 8

1. اخلع البطارية.
2. أدر برغي الزنق في قاعدة الارتكاز فقط بالقدر الذي يتيح حيزاً كافياً لتمرير المصد المتوازي.
3. ادفع المجرى الدليلي للمصد المتوازي أسفل برغي الزنق.
4. اضبط عرض القطع المطلوب.
5. أحكم ربط برغي الزنق.

يمكن تركيب المصد المتوازي (أحادى/ثنائى الأذرع) على جانبي قرص الارتكاز. يقتصر استخدام المصد المتوازي ثنائي الأذرع على قاعدة الارتكاز الكبيرة فقط  
 من خلال المصد المتوازي يمكن إجراء عمليات قطع دقيقة بطول حافة قطعة الشغل، كما يمكن قطع ألواح متساوية الأبعاد.



يمكن تجهيز المنشار بمهايئ للقصيب الدليلي متوفر كملحق تكميلي.  
في حالة النشر على قاعدة ارتكاز صغيرة، قم باستخدام مهايئ المجرى الدليلي، المناسب للمجرى الدليلي.

1. اخلع البطارية.
2. اخلع المصد المتوازي إن كان مركبا.
3. أدخل قاعدة الارتكاز في أطراف التثبيت الجانبية لمهايئ القصيب الدليلي.
4. قم بتركيب قاعدة الارتكاز بالكامل في مهايئ المجرى الدليلي.
5. قم بتأمين مهايئ المجرى الدليلي من خلال ضغط كلا المزلاجين للداخل حتى النهاية.

## 2.5 العمل

### 1.2.5 التشغيل

- ◀ قم بتشغيل المنتج بينما مانع التشغيل مضغوط من خلال الضغط على مفتاح التشغيل/الإيقاف.

### 2.2.5 الإيقاف

- ◀ أوقف الجهاز من خلال ترك مفتاح التشغيل/الإيقاف.

### 3.2.5 عمليات القطع الطولي بزواوية °10

1. ضع المنشار الدائري المزود بعلامة الحز بزواوية "°0" على قضيب المجرى الدليلي.
2. قم بتشغيل المنتج بينما مانع التشغيل مضغوط من خلال الضغط على مفتاح التشغيل/الإيقاف.
3. قم بتحريك المنتج على قطعة الشغل بسرعة شغل مناسبة للقصيب..

### 4.2.5 عمليات القطع الطولي بزوايا حتى °50 11

1. اضبط الزاوية.

## تحذير ⚠

**خطر الاصطدام عند القطع المائل!** اصطدام شفرة المنشار بالمجرى الدليلي.  
◀ ضع المنشار المزود بالحز المناسب على قضيب المجرى الدليلي. وإلا فقد تحدث تصادمات لنصل المنشار مع القضيب الدليلي.

2. ضع المنشار المزود بعلامة الحز بزواوية "°1-°50" على قضيب المجرى الدليلي.
3. قم بتشغيل المنتج بينما مانع التشغيل مضغوط من خلال الضغط على مفتاح التشغيل/الإيقاف.
4. قم بتحريك المنتج على قطعة الشغل بسرعة شغل مناسبة للقصيب..

### 5.2.5 عمل قطوع بزواوية مسطحة 12

1. ضع القضيب الدليلي من نقطة الصفر على حافة قطعة الشغل ثم أدر القضيب إلى أن تتقابل الزاوية المرغوبة مع نقطة الصفر على تدريع الزوايا. زاوية القطع الموضحة تبين مدى فرق زاوية القطع عن الزاوية القائمة.
2. قم بتثبيت المجرى الدليلي بقامطتين حلزونيتين.
3. ضع المنشار الدائري المزود بعلامة الحز بزواوية "°0" على قضيب المجرى الدليلي.
4. قم بتشغيل المنتج بينما مانع التشغيل مضغوط من خلال الضغط على مفتاح التشغيل/الإيقاف.
5. قم بتحريك المنتج على قطعة الشغل بسرعة شغل مناسبة للقصيب..

### 6.2.5 النشر بدون شفق البرادة

1. تأكد من خروج البرادة بسلاسة.
2. عند الحاجة يمكن فك فوهة التوصيل من الغطاء الواقي بعد فتح البرغي سداسي الرأس باستخدام المفتاح سداسي الرأس المجوف الموجود بالمنتج.

## 6 العناية والصيانة

## تحذير ⚠

**خطر الإصابة عند تكون البطارية مركبة!**

- ◀ احرص على خلع البطارية دائما قبل جميع أعمال الإصلاح والعناية!



## العناية بالمنتج

- احرص على إزالة الاتساخات شديدة الالتصاق مع توخي الحرص.
- في حالة وجودها، قم بتنظيف فتحات التهوئة بحرص باستخدام فرشاة جافة وناعمة.
- قم بتنظيف جسم المنتج باستخدام قطعة قماش مبللة بعض الشيء. لا تستخدم مواد عناية محتوية على سيليكون، نظرًا لأنها قد تؤدي إلى تلف الأجزاء البلاستيكية.
- استخدم قطعة قماش نظيفة وجافة لتنظيف ملامسات المنتج.

## العناية بطاريات أيونات الليثيوم

- لا تقم مطلقًا باستخدام بطارية ذات فتحات تهوية مسدودة. قم بتنظيف فتحات التهوئة بحرص باستخدام فرشاة جافة وناعمة.
- تجنب تعريض البطارية للغبار أو الاتساخات دون داع. لا تقم مطلقًا بتعرض البطارية للرطوبة المرتفعة (على سبيل المثال، غمرها في الماء أو تركها تحت الأمطار).
- في حالة بلل البطارية، تعامل معها كبطارية تالفة. اعزل البطارية في وعاء غير قابل للاشتعال وتوجه إلى مركز خدمة Hilti.
- حافظ على البطارية خالية من الزيت والشحم الخارجي. لا تسمح للغبار أو الاتساخات بالتراكم دون داع على البطارية. قم بتنظيف البطارية باستخدام فرشاة جافة وناعمة أو قطعة قماش نظيفة وجافة. لا تستخدم مواد عناية محتوية على سيليكون، نظرًا لأنها قد تؤدي إلى تلف الأجزاء البلاستيكية.
- لا تلمس ملامسات البطارية ولا تقم بإزالة الشحم الموجود من قبل المصنع عن الملامسات.
- قم بتنظيف جسم المنتج باستخدام قطعة قماش مبللة بعض الشيء. لا تستخدم مواد عناية محتوية على سيليكون، نظرًا لأنها قد تؤدي إلى تلف الأجزاء البلاستيكية.


## الصيانة

### تحذير

**خطر الصعق الكهربائي!** قد تؤدي أعمال الصيانة التي تتم على الأجزاء الكهربائية بشكل غير سليم إلى حدوث إصابات خطيرة وإصابة بحروق.

◀ لا يجوز إجراء إصلاحات على الأجزاء الكهربائية إلا من خلال متخصصين في الكهرباء.

- احرص بصورة منتظمة على فحص الأجزاء المرئية من حيث وجود أضرار وافحص عناصر الاستعمال من حيث كفاءتها الوظيفية.
- لا تقم بتشغيل الجهاز في حالة وجود أضرار و/أو اختلالات وظيفية. احرص على إصلاح الجهاز على وجه السرعة لدى خدمة Hilti.
- بعد أعمال العناية والإصلاح قم بتركيب جميع تجهيزات الحماية وافحصها من حيث الأداء الوظيفي السليم.


 للتشغيل الآمن اقتصِر على استخدام قطع الغيار وخامات الشغل والملحقات التكميلية الأصلية. تجد قطع الغيار وخامات الشغل والملحقات المصريح بها من Hilti للمنتج الخاص بك في متجر Hilti Store أو على موقع الإنترنت: [www.hilti.group](http://www.hilti.group)

## 1.6 تنظيف تجهيزات الحماية

1. اخلع نصل المنشار لتنظيف لتجهيزات الحماية.
2. قم بتنظيف تجهيزات الحماية بحرص باستخدام فرشاة جافة.
3. أزل الترسبات والبرادة من داخل تجهيزات الحماية باستخدام أداة مناسبة.
4. قم بتركيب نصل المنشار.

## 2.6 خطوات العمل عند انسداد قناة البرادة

1. اخلع البطارية.
2. قم بتنظيف قناة البرادة.

 يجب عند اللزوم تفكيك نصل المنشار. 175

3. افحص الأجزاء المتمركزة بالجهاز من حيث أداؤها لوظيفتها بدون مشاكل وعدم انحصارها وافحصها من حيث وجود أجزاء مكسورة أو متعرضة للضرر بشكل يمكن أن يؤثر سلبًا على الأداء الوظيفي للمنتج.





**i** بعد إجراء أعمال العناية والصيانة افحص ما إذا كانت جميع تجهيزات الحماية مركبة وتؤدي وظيفتها بدون أخطاء.

- ◀ لفحص غطاء الوقاية المتحرك، افتحه بالكامل عن طريق الضغط على ذراع الاستعمال.
- ◀ بعد ترك ذراع الاستعمال يجب أن ينغلق غطاء الوقاية المتحرك بالكامل وبسرعة.

## 7 النقل والتخزين

### نقل الأدوات العاملة بالبطارية والبطاريات

**⚠ احترس:**

**التشغيل غير مقصود عند النقل !**

- ◀ قم بنقل المنتج دائما بدون البطاريات!
- ◀ اخلع البطارية/البطاريات.
- ◀ لا تقم بنقل البطاريات بكميات كبيرة. ينبغي أثناء النقل حماية البطاريات من الاصطدام العنيف والاهتزازات، وكذلك عزلها عن أية مواد موصلة للكهرباء أو أية بطاريات أخرى، وذلك حتى لا تتلامس مع أقطاب بطاريات أخرى ومن ثم حدوث قفلة كهربائية. **احرص على مراعاة تعليمات النقل المحلية للبطاريات.**
- ◀ لا يجوز إرسال البطاريات عن طريق البريد. توجه إلى شركة شحن، إذا كنت ترغب في إرسال بطاريات غير تالفة.
- ◀ افحص المنتج والبطاريات من حيث وجود أضرار قبل كل استخدام وقبل وبعد النقل لمسافة طويلة.

### تخزين الأدوات العاملة بالبطارية والبطاريات

**⚠ تحذير**

**أضرار غير مقصودة بسبب البطاريات التالفة أو التي بها تسريب !**

- ◀ قم بتخزين المنتج دائما بدون البطاريات!
- ◀ احرص على تخزين المنتج والبطاريات في مكان بارد وجاف. احرص على مراعاة القيم الحدية لدرجات الحرارة الواردة في المواصفات الفنية.
- ◀ لا تحتفظ بالبطاريات على جهاز الشحن. قم دائما بإزالة البطارية من الشاحن بعد انتهاء عملية الشحن.
- ◀ لا تقم أبداً بتخزين البطاريات تحت أشعة الشمس أو في مصادر الحرارة أو خلف الزجاج.
- ◀ احرص على تخزين المنتج والبطاريات والاحتفاظ به بعيداً عن متناول الأطفال والأشخاص غير المصرح لهم .
- ◀ افحص المنتج والبطاريات من حيث وجود أضرار قبل كل استخدام وقبل وبعد التخزين لفترة طويلة.

## 8 المساعدة في حالات الاختلالات

- ◀ عند حدوث اختلالات غير مذكورة في الجدول أو يتعذر عليك معالجتها بنفسك، فيرجى التوجه إلى مركز خدمة Hilti.

### 1.8 المنشار الدائري غير جاهز للعمل

الخلل	السبب المحتمل	الحل
لمبات LED لا تشير لشيء.	لم يتم إدخال البطارية حتى النهاية.	◀ قم بتركيب البطارية.
	فراغ شمعة البطارية.	◀ اشحن البطارية.
	البطارية ساخنة للغاية أو باردة للغاية.	◀ اعمل على توفير درجة الحرارة المحيطة الموصى بها للبطارية.
1 لمبة LED تومض.	فراغ شمعة البطارية.	◀ اشحن البطارية.
	البطارية ساخنة للغاية أو باردة للغاية.	◀ اعمل على توفير درجة الحرارة المحيطة الموصى بها للبطارية.
4 لمبات LED تومض.	هناك تمثيل زائد على المنشار الدائري لفترة قصيرة.	◀ اترك مفتاح التشغيل/الإيقاف واضغط عليه مجدداً.
	الحماية من السخونة المفرطة.	◀ اترك المنشار الدائري يبرد و قم بتنظيف فتحات التهوية.



الخلل	السبب المحتمل	الحل
لا يمكن الضغط على مفتاح التشغيل/الإيقاف أو المفتاح مقفل.	لا يوجد خطأ (وظيفة الأمان).	اضغط على مانع التشغيل.
عدد اللفات ينخفض بشدة بشكل مفاجئ.	فراغ شحنة البطارية.	اشحن البطارية.
البرادة لا تنتقل إلى حاوية البرادة، بل تسقط على قاعدة الارتكاز.	قوة الدفع عالية للغاية.	قم بتقليل قوة الدفع وإعادة تشغيل المنتج.
تصل المنشار بثبت في موضعه.	حاوية البرادة ممتلئة.	قم بتفريغ حاوية البرادة.
شحنة البطارية تفرغ بشكل أسرع من المعتاد.	قناة البرادة مسدودة.	قم بتنظيف قناة البرادة. 178
البطارية لا تثبت بصوت "طقطقة مزدوجة" مسموع.	قوة الدفع عالية للغاية.	قم بتقليل قوة الدفع وإعادة تشغيل المنتج.
تنشأ سخونة شديدة بالمنشار الدائري أو البطارية.	حالة البطارية ليست مثالية.	قم بتغيير البطارية.
عطل كهربائي	أطراف تثبيت البطارية متسخة.	قم بتنظيف أطراف التثبيت وتثبيت البطارية. وتوجه إلى خدمة Hilti، إذا ظلت المشكلة قائمة.
هناك تحميل زائد على الجهاز (تم تجاوز حد الاستخدام).	قم بإيقاف المنشار الدائري على الفور. قم بإخراج البطارية وافحصها جيدا. اترك البطارية تبرد. اتصل بخدمة Hilti.	
المنشار يهتز بشدة	تم تركيب شفرة المنشار بشكل خاطئ	اختر جهازا مناسباً لمجال الاستخدام.
		قم بتركيب شفرة المنشار بشكل صحيح. 175

**9 التكوين**
**تحذير**

- خطر الإصابة من جراء التكوين غير المطابق للتعليمات!** خطر على الصحة من جراء الغازات والسوائل المتسربة.
- لا تقم بإرسال أو توريد بطاريات تالفة!
  - قم بتغطية التوصيلات باستخدام مادة غير موصلة للكهرباء وذلك لتجنب حدوث قفلات كهربائية.
  - تخلص من البطاريات بحيث لا تصل إلى متناول الأطفال.
  - تخلص من البطارية لدى متجر **Hilti Store** أو توجه إلى مركز التخلص من النفايات المختص.

منتجات **Hilti** مصنوعة بنسبة كبيرة من مواد قابلة لإعادة التدوير. يشترط لإعادة التدوير أن يتم فصل الغامات بشكل سليم فنياً. في كثير من الدول تقوم **Hilti** باستعادة جهازك القديم لإعادة الانتفاع به. توجه بأستلكتك لخدمة عملاء **Hilti** أو لمستشار المبيعات.

- لا تعلق الأدوات الكهربائية، الأجهزة الإلكترونية والبطاريات ضمن القمامة المنزلية!

**10 مواصفة RoHS (مواصفة تقييد استخدام المواد الخطيرة)**

تجد جدولاً بالمواد الخطرة تمت الرابط التالي: [qr.hilti.com/r/2937785](http://qr.hilti.com/r/2937785).  
تجد رابط خاص بجدول المواد التي تخص المواصفة RoHS في نهاية هذا المستند على هيئة كود QR.

**11 ضمان الجبة الصانعة**

- في حالة وجود أية استفسارات بخصوص شروط الضمان، يرجى التوجه إلى وكيل **Hilti** المحلي التابع لك.



# Originālā lietošanas instrukcija

## 1 Informācija par lietošanas instrukciju

### 1.1 Par šo lietošanas instrukciju

- Pirms ekspluatācijas sākšanas obligāti izlasiet šo lietošanas instrukciju. Tas ir priekšnoteikums darba drošībai un izstrādājuma lietošanai bez traucējumiem.
- Ievērojiet drošības norādījumus un brīdinājumus, kas atrodami šajā lietošanas instrukcijā un uz izstrādājuma.
- Vienmēr glabājiet lietošanas instrukciju izstrādājuma tuvumā un, nododot izstrādājumu citai personai, vienmēr dotiet līdzīgu šo lietošanas instrukciju.

### 1.2 Apzīmējumu skaidrojums

#### 1.2.1 Brīdinājumi

Brīdinājumi pievērš uzmanību bīstamībai, kas pastāv, strādājot ar izstrādājumu. Tiek lietoti šādi signālvārdi:

#### **BĪSTAMI!**

##### **BĪSTAMI! !**

- ▶ Pievērš uzmanību draudošām briesmām, kas var izraisīt smagus miesas bojājumus vai nāvi.

#### **BRĪDINĀJUMS!**

##### **BRĪDINĀJUMS! !**

- ▶ Pievērš uzmanību iespējamam apdraudējumam, kas var izraisīt smagas traumas vai pat nāvi.

#### **IEVĒROT PIESARDZĪBU!**

##### **UZMANĪBU! !**

- ▶ Norāda uz iespējami bīstamām situācijām, kas var izraisīt traumas vai materiālos zaudējumus.

#### 1.2.2 Simboli lietošanas instrukcijā

Šajā lietošanas instrukcijā tiek izmantoti šādi simboli:

	Ievērojiet lietošanas instrukciju
	Norādījumi par lietošanu un cita noderīga informācija
	Rīcība ar otrreiz pārstrādājamiem materiāliem
	Neizmetiet elektroiekārtas un akumulatorus sadzīves atkritumos.
	<b>Hilti</b> Litija jonu akumulators
	<b>Hilti</b> Lādētājs

#### 1.2.3 Attēlos lietotie simboli

Attēlos tiek lietoti šādi simboli:

	Šis skaitļi norāda uz attiecīgajiem attēliem, kas atrodami šīs lietošanas instrukcijas sākumā.
	Numerācija attēlos norāda uz svarīgām darbībām vai detaļām, kas ir svarīgas noteiktām darbībām. Tekstā šīs darbības vai detaļas ir izceltas, apzīmējot ar atbilstošiem numuriem, piemēram, <b>(3)</b> .
	Pozīciju numuri tiek lietoti attēlā <b>Pārskats</b> un norāda uz leģendas numuriem sadaļā <b>Izstrādājuma pārskats</b> .
	Šī simbola uzdevums ir pievērst īpašu uzmanību izstrādājuma lietošanas laikā.



### 1.3 Simboli atkarībā no izstrādājuma

#### 1.3.1 Simboli

Uz izstrādājuma var tikt lietoti šādi simboli:

	Nominālais apgriezienu skaits tukšgaitā
	Līdzstrāva
RPM	Apgriezieni minūtē
	Diametrs
	Zāģa ripa
	Izstrādājums atbalsta bezvadu datu pārneši, kas ir saderīga ar iOS un Android platformām.
Li-Ion	Litija jonu akumulators
	Lietojamā <b>Hilti</b> litija jonu akumulatoru sērija. Ņemiet vērā informāciju, kas iekļauta nodaļā <b>Nosacījumiem atbilstīga lietošana</b> .
	Nekādā gadījumā nelietojiet akumulatoru kā triecieninstrumentu.
	Sargājiet akumulatoru no kritieniem. Nelietojiet akumulatoru, ja tas ir bijis pakļauts triecienam vai tam ir radušies cita veida bojājumi.

### 1.4 Izstrādājuma informācija

**HILTI** izstrādājumi ir paredzēti profesionāliem lietotājiem, un to darbināšanu, apkopi un tehniskā stāvokļa uzturēšanu drīkst veikt tikai kvalificēts, atbilstīgi apmācīts personāls. Personālam ir jābūt labi informētam par iespējamajiem riskiem, kas var rasties darba laikā. Izstrādājums un tā papildaprīkojums var radīt bīstamas situācijas, ja to uztic neprofesionālam personālam vai nelieto atbilstīgi nosacījumiem. Iekārtas tipa apzīmējums un sērijas numurs ir norādīti uz identifikācijas datu plāksnītes.

- Ierakstiet sērijas numuru zemāk redzamajā tabulā. Izstrādājuma dati jānorāda, vērsoties mūsu pārstāvnīcībā vai servisā.

#### Izstrādājuma dati

Ripzāģis	SC 70W-A22
Paaudze	01
Sērijas Nr.	

### 1.5 Atbilstības deklarācija

Uzņemoties pilnu atbildību, mēs apliecinām, ka šeit aprakstītais izstrādājums atbilst šādām direktīvām un standartiem: Atbilstības deklarācijas attēls ir atrodams šīs dokumentācijas beigās.

Tehniskā dokumentācija ir saglabāta šeit:

**Hilti** Entwicklungsgesellschaft mbH | Zulassung Geräte | Hiltistraße 6 | 86916 Kaufering, DE

## 2 Drošība

### 2.1 Vispārīgi drošības norādījumi par darbu ar elektroiekārtām

**⚠ BRĪDINĀJUMS!** Iepazīstieties ar visiem drošības norādījumiem, instrukcijām, attēliem un tehniskajiem parametriem, kas attiecas uz šo elektroiekārtu. Turpmāk izklāstīto instrukciju neievērošana var izraisīt elektrošoku, ugunsgrēku un/vai nopietnas traumas.

**Saglabājiet visus drošības norādījumus un instrukcijas turpmākai lietošanai.**

Drošības norādījumos lietotais apzīmējums "elektroiekārta" attiecas uz iekārtām ar tīkla barošanu (ar barošanas kabeli) vai iekārtām ar barošanu no akumulatora (bez kabeļa).



### Drošība darba vietā

- ▶ **Uzturiet darba vietā tīrību un kārtību un nodrošiniet labu apgaismojumu.** Nekārtīgā darba vietā vai sliktā apgaismojumā var viegli notikt nelaimes gadījums.
- ▶ **Nestrādājiet ar elektroiekārtu sprādzienbīstamā vidē, kur atrodas uzliesmojoši šķidrumi, gāzes vai putekļi.** Darbības laikā elektroiekārtas mēdz dzirksteļot, un tas var izraisīt viegli uzliesmojošu putekļu vai tvaiku aizdegšanos.
- ▶ **Lietojot elektroiekārtu, nelaujiet nepiederošām personām un jo īpaši bērniem tuvoties darba vietai.** Citu personu klātbūtne var novērst uzmanību, un tā rezultātā jūs varat zaudēt kontroli pār iekārtu.

### Elektrodrošība

- ▶ **Elektroiekārtas kontaktdakšai jāatbilst elektrotīkla kontaktligzdai. Kontaktdakšas konstrukciju nedrīkst nekādā veidā mainīt. Kopā ar elektroiekārtām, kurām ir aizsargzemejums, nedrīkst lietot adapteru spraudņus.** Neizmaiņas konstrukcijas kontaktdakša, kas atbilst kontaktligzdai, ļauj samazināt elektrošoka risku.
- ▶ **Darba laikā nepieskarieties sazemētiem priekšmetiem, piemēram, caurulēm, radiatoriem, plītiem vai ledusskapjiem.** Pieskaroties sazemētām virsmām, pieaug risks saņemt elektrisko triecienu.
- ▶ **Nelietojiet elektroiekārtu lietus laikā, neturiet to mitrumā.** Mitrumam iekļūstot elektroiekārtā, pieaug risks saņemt elektrisko triecienu.
- ▶ **Nenesiet un nepakariniet elektroiekārtu aiz barošanas kabeļa un neraujiet aiz kabeļa, ja vēlaties atvienot iekārtu no elektrotīkla kontaktligzdas. Sargājiet barošanas kabeli no karstuma, eļļas, asām šķautnēm vai kustīgām detaļām.** Bojāts vai sapīņķerējis barošanas kabelis var kļūt par cēloni elektrošokam.
- ▶ **Darbinot elektroiekārtu ārpus telpām, izmantojiet tās pievienošanai vienīgi tādus pagarinātājkabeļus, kas ir paredzēti lietošanai brīvā dabā.** Lietojot elektrokabeļi, kas ir piemērots darbam ārpus telpām, samazinās elektrošoka risku.
- ▶ **Ja elektroiekārtas izmantošana slapjā vidē ir obligāti nepieciešama, lietojiet bojājumstrāvas aizsargslēdzi.** Bojājumstrāvas aizsargslēdža lietošana samazina elektrošoka risku.

### Personiskā drošība

- ▶ **Strādājiet ar elektroiekārtu uzmanīgi, darba laikā saglabājiet paškontroli un rīkojieties saskaņā ar veselo saprātu.** Ar elektroiekārtu nedrīkst strādāt personas, kas ir nogurušas vai atrodas narkotiku, alkohola vai medikamentu ietekmē. Mirkļis neuzmanības, strādājot ar elektroiekārtu, var novest pie nopietnām traumām.
- ▶ **Izmantojiet individuālos aizsardzības līdzekļus un darba laikā vienmēr valkājiet aizsargbrilles.** Individuālo aizsardzības līdzekļu (putekļu aizsargmaskas, neslidošu apavu un aizsargķiveres vai ausu aizsargu) lietošana atbilstoši elektroiekārtas tipam un veicamā darba raksturam ļauj izvairīties no savainojumiem.
- ▶ **Nepieļaujiet iekārtas nekontrolētas ieslēgšanās iespēju.** Pirms pievienošanas elektrotīklam, akumulatora ievietošanas, elektroiekārtas satveršanas vai pārvietošanas pārliecinieties, ka tā ir izslēgta. Ja iekārtas pārvietošanas laikā pirksts atrodas uz slēdža vai ja ieslēgta iekārta tiek pievienota elektrotīklam, var notikt nelaimes gadījums.
- ▶ **Pirms elektroiekārtas ieslēgšanas jānoņem visi regulēšanas piederumi un uzgriežņu atslēgas.** Regulēšanas piederumi vai uzgriežņu atslēga, kas iekārtas ieslēgšanas brīdī atrodas iekārtā, var radīt traumas.
- ▶ **Izvairieties no nedabiskām pozām.** Darba laikā vienmēr saglabājiet līdzsvaru un nodrošinieties pret paslīdēšanu. Tas atvieglos elektroiekārtas vadību neparedzētās situācijās.
- ▶ **Izvēlieties darbam piemērotu apģērbu.** Darba laikā nenēsājiet brīvi plandošas drēbes un rotaslietas. Netuviniet matus, apģērbu un aizsargcimdus iekārtas kustīgajām daļām. Vaļīgas drēbes, rotaslietas un garī mati var ieķerties iekārtas kustīgajās daļās.
- ▶ **Ja elektroiekārtas konstrukcija ļauj pievienot putekļu nosūkšanas vai savākšanas ierīci, sekojiet, lai tā būtu pievienota un tiktu darbināta pareizi.** Putekļu nosūcēja lietošana samazina putekļu kaitīgo ietekmi.
- ▶ **Nezaudējiet modrību un neatkāpieties no elektroiekārtu lietošanas drošības noteikumu ievērošanas arī tad, ja lietojat attiecīgo elektroiekārtu bieži un kārtīgi to pārzināt.** Neuzmanība vienā sekundes daļā var novest pie smagām traumām.

### Elektroiekārtas lietošana un apkope

- ▶ **Nepārslogojiet elektroiekārtu.** Katram darbam izvēlieties piemērotu iekārtu. Elektroiekārta darbosies labāk un drošāk pie nominālās slodzes.
- ▶ **Nelietojiet elektroiekārtu, ja ir bojāts tās slēdzis.** Elektroiekārta, ko nevar ieslēgt un izslēgt, ir bīstama un nekavējoties jānodod remontā.



- ▶ **Pirms iestatījumu veikšanas, aprikojuma daļu nomaiņas vai iekārtas novietošanas uzglabāšanā atvienojiet kontaktdakšu no elektrotīkla un/vai noņemiet noņemamo akumulatoru.** Šādi jūs novērsīsiet elektroiekārtas nejaūšas ieslēgšanās risku.
- ▶ **Elektroiekārtu, kas netiek darbināta, uzglabājiet piemērotā vietā. Neļaujiet lietot iekārtu personām, kas nav iepazinušas ar tās funkcijām un izlasījušas šo lietošanas instrukciju.** Ja elektroiekārtu lieto nekompententas personas, tas var apdraudēt cilvēku veselību.
- ▶ **Rūpīgi veiciet elektroiekārtu un to piederumu apkopi. Pārbaudiet, vai kustīgās daļas darbojas bez traucējumiem un neķeras un vai kāda no daļām nav salauzta vai bojāta un tādējādi netraucē elektroiekārtas nevainojamu darbību. Raugieties, lai pirms iekārtas lietošanas tiktu nomaiņits vai saremontētas bojātās daļas.** Daudzi nelaimes gadījumi notiek tāpēc, ka elektroiekārtām nav nodrošināta pareiza apkope.
- ▶ **Griezējinstrumentiem vienmēr jābūt uzasinātiem un tīriem.** Rūpīgi kopti griezējinstrumenti ar asām šķautnēm retāk iestrēgst un ir vieglāk vadāmi.
- ▶ **Lietojiet elektroiekārtu, piederumus, maināmos instrumentus utt. saskaņā ar šiem norādījumiem. Jāņem vērā arī konkrētie darba apstākļi un veicamās operācijas īpatnības.** Elektroiekārtu lietošana citiem mērķiem, nekā to ir paredzējusi ražotājfirma, ir bīstama un var izraisīt neparedzamas sekas.
- ▶ **Raugieties, lai rokturu un satveršanas virsmas būtu sausas, tīras, nenotraipītas ar eļļu un smērvielām.** Ja rokturu vai satveršanas virsmas ir slidenas, nav iespējama droša elektroiekārtas vadība un kontrole neparedzamās situācijās.

#### Ar akumulatoru darbināmas iekārtas lietošana un apkope

- ▶ **Akumulatora uzlādei jālieto tikai ražotāja ieteiktie lādētāji.** Noteikta veida akumulatoriem paredzēts lādētājs kļūst ugunsbīstams, ja to izmanto ar cita veida akumulatoriem.
- ▶ **Izmantojiet elektroiekārtas barošanai tikai tai paredzētos akumulatorus.** Cita tipa akumulatoru lietošana var izraisīt iekārtas un/vai akumulatora aizdegšanos.
- ▶ **Laikā, kad akumulators ir atvienots no iekārtas, nepieļaujiet tā kontaktu saskaršanos ar saspraudēm, monētām, atslēgām, naglām, skrūvēm vai citiem nelieliem metāla priekšmetiem, kas varētu izraisīt īssavienojumu.** Ja starp akumulatora kontaktiem rodas īssavienojums, tas var sadegt vai kļūt par ugunsgrēka cēloni.
- ▶ **Nepareizi lietojot akumulatoru, no tā var izplūst šķidrums. Nepieļaujiet tā nokļūšanu uz ādas.** Ja tas tomēr nejaūši ir noticis, noskalojiet ar ūdeni. Ja šķidrums iekļūst acīs, izskalojiet acis un nekavējoties vērsieties pie ārsta. No akumulatora izplūdušais šķidrums var izraisīt ādas kairinājumu vai apdegumus.
- ▶ **Nelietojiet bojātus vai modificētus akumulatorus.** Bojāti vai modificēti akumulatori var radīt neparedzamas situācijas un izraisīt ugunsgrēku, eksploziju vai traumas.
- ▶ **Nepakļaujiet akumulatoru uguns vai augstas temperatūras iedarbībai.** Uguns vai temperatūra virs 130 °C (265 °F) var izraisīt eksploziju.
- ▶ **Ievērojiet norādījumus par akumulatora lādēšanu un nekad nelādējiet akumulatoru vai ar akumulatoru darbināmo iekārtu ārpus lietošanas instrukcijā norādītā temperatūras diapazona.** Nepareiza lādēšana vai pieļaujamā temperatūras diapazona pārsniegšana var sabojāt akumulatoru un palielināt aizdegšanās risku.

#### Serviss

- ▶ **Uzdodiet elektroiekārtas remontu veikt tikai kvalificētam personālam, kas izmanto vienīgi oriģinālās rezerves daļas.** Tikai tā ir iespējams saglabāt iekārtas funkcionālo drošību.
- ▶ **Nekādā gadījumā neveiciet bojātu akumulatoru apkopi.** Jebkādu akumulatoru apkopes darbus drīkst veikt tikai ražotājs vai atbilstīgi pilnvarots klientu apkalpošanas dienests.

## 2.2 Drošības norādījumi darbam ar visu veidu zāģiem

### Zāģēšanas process

- ▶ **⚠ BĪSTAMI! Raugieties, lai jūsu rokas neatrastos zāģēšanas zonā vai zāģa ripas tiešā tuvumā. Ar otu roku turiet iekārtu aiz papildu roktura vai motora korpusa.** Ja abas rokas ir satvērušas zāģi, tās ar zāģa asmeni nav iespējams savainot.
- ▶ **Nesatveriet zāģējamo materiālu no apakšas.** Aizsargs nepasargā no saskares ar zāģa asmeni apstrādājamā materiāla apakšpusē.
- ▶ **Pieskaņojiet zāģējuma dziļumu apstrādājamā materiāla biezumam.** Zem zāģējamā materiāla jābūt redzamam mazāk nekā vienam zobam pilnā augstumā.
- ▶ **Nekādā gadījumā nemēģiniet pieturēt zāģējamo materiālu ar roku vai kāju. Nofiksējiet zāģējamo materiālu stabilā stiprinājumā.** Ir svarīgi kārtīgi nostiprināt zāģējamo materiālu, lai līdz minimumam samazinātu risku, kas saistīts ar pieskaršanos zāģa ripai, ripas iestrēgšanu vai kontroles zudumu.



- ▶ **Veicot darbus, kuru laikā pastāv risks, ka instruments var skart apslēptus elektriskos vadus, vienmēr satveriet iekārtu tikai aiz izolētajām rokturu virsmām.** Saskaroties ar sprieguma padevei pieslēgtiem vadiem, elektroiekārtas neizolētās metāla daļas nonāk zem sprieguma un var izraisīt elektrošoku.
- ▶ **Garenvirziena zāģēšanai vienmēr lietojiet atduri vai taisnu malas vadotni.** Tādējādi tiks palielināta zāģējuma precizitāte un samazināts instrumenta iestrēgšanas risks.
- ▶ **Vienmēr lietojiet tikai atbilstīga izmēra zāģa ripas ar piemērotu stiprinājuma atveri (piemēram, zvaigznes formas vai apaļu).** Zāģa ripas, kas nav paredzētas montāžai uz šī zāģa, rotē nevienmērīgi un var izraisīt kontroles zudumu.
- ▶ **Nekādā gadījumā nedrīkst izmantot bojātas vai nepiemērotas zāģa ripas paplāksnes vai skrūves.** Paplāksnes un skrūves ir konstruētas speciāli šim zāģim, lai nodrošinātu optimālu darba efektivitāti un drošību.

#### Atsitienu cēloņi un ar to saistītie drošības norādījumi

- Atsitiens ir negaidīta reakcija sakarā ar zāģa ripas aizķeršanos, iestrēgšanu vai nepareizu noregulējumu, kā rezultātā tiek zaudēta kontrole pār zāģi, tas izlec no zāģējamā materiāla un tiek pasists lietotāja virzienā;
- ja zāģa ripa ieķeras vai iestrēgst zāģējuma rievā, tā nobloķējas un motora spēks pasit zāģi atpakaļ lietotāja virzienā;
- ja zāģa ripa zāģējuma rievā sagriežas vai ir nepareizi noregulēta, ripas aizmugurējās daļas zobi var iekerties zāģējamā materiāla virsmā, kā rezultātā zāģa ripa izlec no zāģējuma rievas un zāģis tiek pasists lietotāja virzienā.

Atsitiens ir nepareizas zāģa lietošanas sekas. No tā ir iespējams izvairīties, ievērojot turpmāk aprakstītos drošības pasākumus.

- ▶ **Stingri turiet zāģi ar abām rokām un novietojiet rokas tā, lai varētu droši reaģēt uz atsitienu radītajiem spēkiem.** Vienmēr nostāieties nedaudz uz sāniem no zāģa – tā, lai zāģa asmens neatrastos uz vienas līnijas ar jūsu ķermeni. Atsitienu gadījumā ripzāģis strauji pārvietosies atpakaļ, taču ar atbilstīgu piesardzības pasākumu palīdzību iekārtas lietotājs var kontrolēt atsitienu spēku.
- ▶ **Ja zāģa ripa iestrēgst vai darbu nepieciešams pārtraukt citu iemeslu dēļ, izslēdziet zāģi, atstājiet to zāģējamajā materiālā un nogaidiet, līdz zāģa ripas kustība apstājas.** Nekādā gadījumā nemēģiniet izvilkēt zāģi no materiāla vai pavilkēt atpakaļ, kamēr zāģa ripa atrodas kustībā, jo tas var izraisīt atsitienu. Atrodiet un novērsiet zāģa ripas iestrēgšanas cēloni.
- ▶ **Ja vēlaties no jauna ieslēgt zāģi, kura asmens atrodas materiālā, nocentrējiet zāģa asmeni zāģējuma rievā un pārbaudiet, vai zāģa zobi nav ieķērušies materiālā.** Ja zāģa ripa ir iestrēgusi, tā zāģa ieslēgšanas brīdī var izlekt no materiāla vai izraisīt atsitienu.
- ▶ **Lai novērstu risku, ka zāģa ripas iestrēgšana izraisīs atsitienu, liela izmēra plāksnes pirms apstrādāšanas kārtīgi jāatbalsta.** Liela izmēra detaļas var izliekties pašas no sava svara. Plāksnes jāatbalsta abās pusēs – gan zāģējuma tuvumā, gan pie ārmas.
- ▶ **Nedrīkst izmantot neasas vai bojātas zāģa ripas.** Zāģa ripas ar neasiem vai nepareizi izlocītiem zobiem veido pārāk šauru zāģējuma rievu, kā rezultātā palielinās berze, kā arī zāģa ripas iestrēgšanas vai atsitienu risks.
- ▶ **Pirms sākt zāģēšanu, pievelciet zāģējuma dziļuma un lenķa iestatīšanas atdures.** Ja zāģēšanas laikā tiek mainīti iestatījumi, zāģa ripa var iestrēgt un radīt atsitienu.
- ▶ **Ievērojiet īpašu piesardzību, veicot zāģējumus sienās un citās nepārrēdzamās vietās.** Iegremdētās zāģa ripas pēkšņa sadursme ar sienā esošiem objektiem var izraisīt atsitienu.

### 2.3 Papildnorādījumi par drošību

#### Personīgā drošība

- ▶ **Aizliegts veikt nesankcionētas manipulācijas vai pārveidot iekārtu.**
- ▶ **Vienmēr turiet iekārtu ar abām rokām aiz tam paredzētajiem rokturiem.** Gādājiet, lai rokturi būtu sausi, tīri, nenotraipīti ar eļļu un smērvielām.
- ▶ **Lietojiet dzirdes aizsargaprīkojumu.** Trokšņa iedarbība var radīt dzirdes zudumu.
- ▶ **Ja iekārta tiek darbināta bez putekļu nosūcēja un darba laikā veidojas liels daudzums putekļu, jāvalkā viegls elpceļu aizsardzības aprīkojums.**
- ▶ **Lietojiet iekārtu tikai kopā ar paredzētajām aizsardzības ierīcēm.**
- ▶ **Strādājiet ar pārtraukumiem un veiciet atslābināšanās un pirkstu vingrinājumus, kas uzlabo asinsriti.**
- ▶ **Iekārta nav paredzēta, lai to patstāvīgi lietotu personas ar nepietiekamām fiziskajām vai garīgajām spējām.**
- ▶ **Raugieties, lai iekārta nebūtu pieejama bērniem.**



- ▶ Ieslēdziet izstrādājumu rīkai tad, kad tas atrodas darba veikšanas vietā.
- ▶ Pirms iekārtas novietošanas glabāšanā vai transportēšanas izņemiet no tās akumulatoru.
- ▶ Nelietojiet šo izstrādājumu darbiem virs galvas augstuma.
- ▶ Nemēģiniet nobremzēt iekārtas kustību, no sāniem piespiežot zāga ripu.
- ▶ Griezuma trajektorijā jāatbrīvo no jebkādiem šķēršļiem. Nemēģiniet pārzāgēt skrūves, naglas u.c.
- ▶ Kad iekārta darbojas, nepieskarieties fiksācijas atlokam un fiksācijas skrūvei.
- ▶ Kamēr zāga ripa rotē, nekādā gadījumā nedrīkst spiest vārpstas bloķēšanas taustiņu.
- ▶ Nevērsiet iekārtu pret cilvēkiem.
- ▶ Pieskaņojiet padeves spēku zāga ripai un zāgējamajam materiālam, pretējā gadījumā zāga ripa var nobloķēties un izraisīt atsitienu.
- ▶ Raugieties, lai netiktu pārkarsētas zāga zobu smailes.
- ▶ Zāgējot plastmasas materiālus, nedrīkst pieļaut plastmasas kušanu.
- ▶ Putekļi, ko rada tādi materiāli kā, piemēram, svīnu saturoša krāsa, daži koknes veidi, betons / mūris / kvarcu saturoši akmeņi, minerāli un metāls, var būt kaitīgi veselībai. Saskare ar šiem putekļiem vai to ieelpošana var izraisīt lietotāja vai citu tuvumā esošo personu alerģiskas reakcijas un/vai elpceļu saslimšanas. Noteikti putekļu veidi, piemēram, ozola un skābarža koknes putekļi, tiek uzskatīti par kancerogēniem – sevišķi kopā ar kokapstrādē izmantojamām vielām (hromātiem, koknes aizsarglīdzekļiem). Azbestu saturošus materiālus drīkst apstrādāt tikai kompetenti speciālisti. **Ja iespējams, lietojiet putekļu nosūcēju. Lai nodrošinātu optimālu attīrīšanu no putekļiem, lietojiet piemērotu mobilo putekļu nosūkšanas iekārtu. Ja nepieciešams, valkājiet elpceļu aizsargmasku, kas paredzēta attiecīgajam putekļu veidam. Nodrošiniet darba vietā labu ventilāciju. Ievērojiet jūsu valstī spēkā esošos normatīvus, kas regulē attiecīgo materiālu apstrādi.**
- ▶ Pirms darba sākšanas noskaidrojiet darba laikā radušos putekļu bīstamības kategoriju. Lietojiet celtniecības putekļsūcēju ar oficiālas sertifikācijas ietvaros piešķirtu drošības klasifikāciju, kas atbilst vietējiem putekļu ietekmes ierobežošanas normatīviem.
- ▶ Ievērojiet jūsu valstī spēkā esošās darba aizsardzības prasības.

#### Elektrodrošība

- ▶ Piemēram, ar metāla detektora palīdzību, pirms darba sākšanas pārbaudiet, vai zem apstrādājamās virsmas neatrodas apslēpti elektriskie vadi, gāzes vai ūdens caurules. Iekārtas ārējās metāla daļas var būt zem sprieguma, ja, piemēram, darba laikā nejauši tiek bojāts elektriskais vads. Tā rezultātā rodas nopietns elektrošoka risks.

#### Akumulatoru pareiza lietošana un apkope

- ▶ Ievērojiet īpašos norādījumus par litija jonu akumulatoru transportēšanu, uzglabāšanu un ekspluatāciju.
- ▶ Sargājiet akumulatorus no augstas temperatūras un uguns. Pastāv eksplozijas risks.
- ▶ Akumulatorus nedrīkst izjaukt, saspīest, sakarsēt virs 80 °C (176 °F) vai sadedzināt. Pretējā gadījumā iespējams ugunsgrēks, eksplozija vai ķīmiskie apdegumi.
- ▶ Bojātus akumulatorus (piemēram, akumulatorus ar plaisām, salūzušām daļām, saliektiem, iespiestiem un/vai izvilktiem kontaktiem) nedrīkst ne lādēt, ne izmantot.
- ▶ Nelietojiet akumulatorus kā enerģijas avotu citām ierīcēm, kam tie nav paredzēti.
- ▶ Ja akumulators kļūst pārāk karsts, iespējams, ka tas ir bojāts. **Novietojiet iekārtu atdzišanai vietā, kas atrodas pietiekamā attālumā no degošiem materiāliem un kur akumulatoru var pastāvīgi novērot. Kad akumulators ir atdzisis, vērsieties Hilti servisā.**

#### 2.4 Papildnorādījumi par drošību darbam ar ripzāgiem

- ▶ Virziet manuālo ripzāgi, spiežot to pie zāgējamā materiāla, tikai tad, kad ripzāģis ir ieslēgts.
  - ▶ Zāgējuma trajektorijā virs un zem zāgējuma vietas nedrīkst atrasties nekādi šķēršļi. Nemēģiniet pārzāgēt skrūves, naglas vai tamlīdzīgus objektus.
- ▶ Nekādā gadījumā nestrādājiet ar ripzāgi virs galvas augstuma.
- ▶ Nekad nemēģiniet nobremzēt zāga ripas kustību, piespiežot to no sāniem.
- ▶ Raugieties, lai netiktu pārkarsētas zāga zobu smailes.
- ▶ Vienmēr lietojiet tādu zāga ripu, kas atbilst zāgējamajam materiālam.
- ▶ Lietojiet tikai un vienīgi Hilti ieteiktās zāga ripas, kas atbilst standartam EN 847-1.

#### 2.5 Akumulatoru pareiza lietošana un apkope

- ▶ Ievērojiet īpašos norādījumus par litija jonu akumulatoru transportēšanu, uzglabāšanu un ekspluatāciju.
- ▶ Sargājiet akumulatorus no augstas temperatūras, tiešiem saules stariem un uguns.

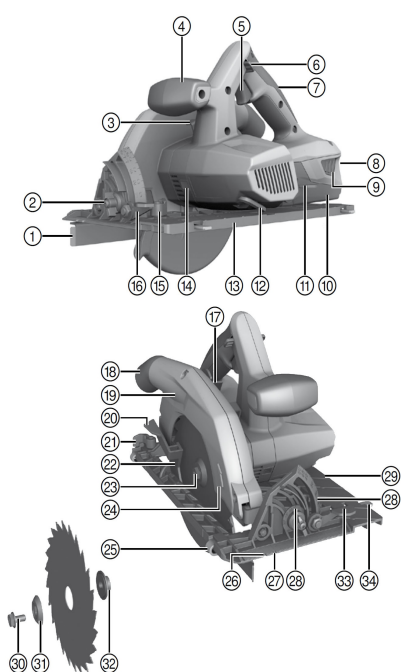




- ▶ Akumulatorus nedrīkst izjaukt, saspiest, sakarsēt virs 80 °C (176 °F) vai sadedzināt.
- ▶ Nemēģiniet izmantot vai uzlādēt akumulatorus, kas bijuši pakļauti triecienam, krituši no vairāk nekā viena metra augstuma vai ir citā veidā bojāti. Šādā gadījumā vienmēr vērsieties savā **Hilti servisā**.
- ▶ Ja akumulators kļūst pārāk karsts, iespējams, ka tas ir bojāts. Novietojiet akumulatoru labi pārredzamā, ugunsdrošā vietā, pietiekamā atstatumā no degošiem materiāliem. Ļaujiet akumulatoram atdzist. Ja pēc stundas akumulators joprojām ir tik karsts, ka to ir grūti satvert, tas nozīmē, ka tas ir bojāts. Vērsieties **Hilti servisā**.

### 3 Apraksts

#### 3.1 Izstrādājuma pārskats 1



- ① Paralēlā atdure ar vienu malu
- ② Zāģēšanas leņķa iestatīšana (22,5°, 45°, 50°)
- ③ Vārpstas bloķēšanas taustiņš
- ④ Papildu rokturis
- ⑤ Ieslēgšanas un izslēgšanas slēdzis
- ⑥ Ieslēgšanās bloķēšana
- ⑦ Rokturis
- ⑧ Uzlādes līmeņa un traucējumu indikācija (litija jonu akumulatoram)
- ⑨ Atbloķēšanas taustiņi ar papildu funkciju - uzlādes statusa indikācijas aktivēšanu
- ⑩ Akumulators
- ⑪ Zāģēšanas dziļuma noregulējuma fiksācijas skrūves
- ⑫ Iekšējā sešstūra atslēga
- ⑬ Pamatplāksne, mazā
- ⑭ LED apgaismojums
- ⑮ Paralēlās atdures fiksācijas svira, priekšējā
- ⑯ Zāģēšanas leņķa noregulējuma fiksācijas svira
- ⑰ Zāģējuma dziļuma skala
- ⑱ Savienojuma īscaurule (skaidu kanāls)
- ⑲ Drošības pārsegs
- ⑳ Svārstīgā aizsarga vadības svira
- ㉑ Paralēlās atdures fiksācijas svira, aizmugurējā (tikai lielajai pamatplāksnei)
- ㉒ Svārstīgais aizsargs
- ㉓ Piedziņas vārpsta
- ㉔ Rotācijas virziena bultiņa
- ㉕ Paralēlā atdure ar divām malām
- ㉖ Zāģējuma atzīme 0°
- ㉗ Zāģējuma atzīme 45°
- ㉘ Zāģēšanas leņķa skala
- ㉙ Pamatplāksne, lielā
- ㉚ Fiksācijas skrūve
- ㉛ Fiksācijas atloks
- ㉜ Stiprinājuma atloks
- ㉝ Pamatplāksnes rievas atzīme 0°
- ㉞ Pamatplāksnes rievas atzīme 1-50°

#### 3.2 Vadotnes sliedes adapters 2

- ㉟ Atbalsta stienis, aizmugurējais
- ㊱ Priekšējais atbalsta stienis
- ㊲ Rievas atzīme 0°
- ㊳ Rievas atzīme 1-50°



### 3.3 Nosacījumiem atbilstīga lietošana

Aprakstītais izstrādājums ir ar akumulatoru darbināms ripzāģis. Tas ir paredzēts koka, kokam līdzīgu materiālu, plastmasas, ģipškartona, ģipša šķiedras plākšņu un kombinēto materiālu zāģēšanai.

Manuālais ripzāģis ir aprīkots ar noņemamu īscauruli, kas paredzēta papildu putekļsūcēja / nosūkšanas iekārtas pievienošanai, izmantojot standarta nosūkšanas šļūtenes. Putekļsūcēja savienošanai ar zāģi var būt nepieciešams atbilstīgs adapteris.

- ▶ Nedrīkst izmantot zāģa ripas, kas neatbilst norādītajiem parametriem (piemēram, diametram, apgriezīenu skaitam, biežumam), griezējriņas un slīpriņas, kā arī zāģa ripas, kas izgatavotas no augsta leģējuma ātrgriešanas tērauda (HSS). Izstrādājumu nedrīkst izmantot metāla zāģēšanai.
- ▶ Neizmantojiet izstrādājumu zaru un koku stumbru zāģēšanai.
- ▶ Lietojiet šī izstrādājuma barošanai tikai sērijas B 22 **Hilti** litija jonu akumulatorus.
- ▶ Lietojiet šo akumulatoru uzlādēšanai tikai sērijas C4/36 **Hilti** lādētājus.

### 3.4 Litija jonu akumulatora indikācija

Par litija jonu akumulatora uzlādes statusu un iekārtas darbības traucējumiem informē litija jonu akumulatora indikācija. Litija jonu akumulatora uzlādes statusu iespējams apskatīties, tisi nospiežot vienu no akumulatora atbloķēšanas taustiņiem.

Stavuss	Nozīme
4 LED deg.	Uzlādes stavuss: no 75 % līdz 100 %
3 LED deg.	Uzlādes stavuss: no 50 % līdz 75 %
2 LED deg.	Uzlādes stavuss: no 25 % līdz 50 %
1 LED deg.	Uzlādes stavuss: no 10 % līdz 25 %
1 LED mirgo, iekārta ir gatava darbam.	Uzlādes stavuss: < 10 %
1 LED mirgo, iekārta nav gatava darbam.	Akumulators ir pārkarsis vai pilnībā izlādējies.
4 LED mirgo, iekārta nav gatava darbam.	Iekārta ir pārslogota vai pārkarsusi



Ja ir nospiests vadības slēdzis, kā arī 5 sekunžu laikā pēc vadības slēdža atlaišanas nolasīt uzlādes statusa indikāciju nav iespējams.

Ja mirgo akumulatora indikācijas LED, lūdzu, sekojiet nodaļas "Traucējumu diagnostika" norādījumiem.

### 3.5 Paralēlā atdure

Ar vienu sviru aprīkotā paralēlā atdure nodrošina iespēju veikt precīzus zāģējumus paralēli materiāla malai vai sazāģēt vienāda izmēra līstītes.

Paralēlo atduri ir iespējams piemontēt abās pamatplāksnes pusēs.

### 3.6 Piegādes komplektācija

Ripzāģis, zāģa ripa, iekšējā sešstūra atslēga, paralēlā atdure, putekļu nosūcēja īscaurule, lietošanas instrukcija (opcija: vadotnes slīdes adapters)



Rezerves daļas un patēriņa materiālus, kuru lietošanu kopā ar šo iekārtu mēs akceptējam, var atrast **Hilti Store** vai tīmekļvietnē [www.hilti.group](http://www.hilti.group).

### 3.7 Piederumi

fiksācijas atloks, atbalsta atloks, fiksācijas skrūve.

## 4 Tehniskie parametri

### 4.1 Ripzāģis

	SC 70W-A22
Nominālais spriegums	21,6 V
Svars saskaņā ar EPTA procedūru 01	4,8 kg
Paredzētais zāģa ripas diametrs	190 mm



	<b>SC 70W-A22</b>
<b>Pamatripas biezums</b>	0,7 mm ... 1,5 mm
<b>Zāgējuma platums</b>	1,5 mm ... 2 mm
<b>Zāga ripas stiprinājuma atvere</b>	30 mm
<b>Nominālais rotācijas ātrums tukšgaitā</b>	3 500 apgr./min
<b>Maksimālais zāgējuma dziļums 0°</b>	70 mm
<b>Maksimālais zāgējuma dziļums 45°</b>	51 mm
<b>Maksimālais zāgējuma dziļums 50°</b>	45 mm
<b>Slīpā zāgējuma leņķis</b>	0° ... 50°
<b>Darba temperatūra</b>	-10 °C ... 50 °C
<b>Uzglabāšanas temperatūra (bez akumulatora)</b>	-30 °C ... 70 °C

#### 4.2 Akumulators

<b>Akumulatora darba spriegums</b>	21,6 V
<b>Apkārtējā temperatūra darbības laikā</b>	-17 °C ... 60 °C
<b>Uzglabāšanas temperatūra</b>	-20 °C ... 40 °C
<b>Akumulatora temperatūra uzlādes sākumā</b>	-10 °C ... 45 °C

#### 4.3 Informācija par troksni un svārstībām saskaņā ar EN 62841

Šajās instrukcijās norādītie lielumi, kas raksturo skaņas spiedienu un vibrāciju, ir noteikti ar standartizētas mērījumu metodes palīdzību, un tos var izmantot elektroiekārtu savstarpējai salīdzināšanai. Tos var izmantot arī trokšņa un vibrācijas iedarbības pagaidu novērtējumam. Norādītie parametri attiecas uz elektroiekārtas galvenajiem lietošanas veidiem. Taču, ja elektroiekārta tiek izmantota citos nolūkos, ar citiem maināmajiem instrumentiem vai netiek nodrošināta pietiekama tās apkope, parametri var atšķirties no norādītajiem. Tas var ievērojami palielināt trokšņa un vibrācijas iedarbību visā darba laikā. Lai precīzi novērtētu iedarbību, jāņem vērā arī laiks, cik ilgi iekārta ir izslēgta vai ir ieslēgta, taču faktiski netiek darbināta. Tas var būtiski samazināt palielināt iedarbību kopējā darba laikā. Jāparedz papildu drošības pasākumi, lai aizsargātu iekārtas lietotāju pret trokšņa un/vai vibrācijas iedarbību, piemēram, elektroiekārtas un maināmo instrumentu apkope, roku turēšana siltumā, darba procesu organizācija.

#### Skaņas emisijas rādītāji noteikti saskaņā ar EN 62841

	<b>SC 70W-A22</b>
<b>Skaņas jaudas līmenis (<math>L_{WA}</math>)</b>	103 dB(A)
<b>Skaņas jaudas līmeņa pielāde (<math>K_{WA}</math>)</b>	3 dB(A)
<b>Skaņas spiediena līmenis (<math>L_{pA}</math>)</b>	92 dB(A)
<b>Skaņas spiediena līmeņa pielāde (<math>K_{pA}</math>)</b>	3 dB(A)

#### Kopējie svārstību rādītāji (trīs virzienu vektoru summa), noteikti saskaņā ar EN 62841

	<b>SC 70W-A22</b>
<b>Svārstību emisija, zāgējot kokmateriālus (<math>A_{h, w}</math>)</b>	0,93 m/s <sup>2</sup>
<b>Iespējamā kļūda (K)</b>	1,5 m/s <sup>2</sup>

## 5 Lietošana

### 5.1 Sagatavošanās darbam

#### 5.1.1 Akumulatora uzlādēšana

1. Pirms uzlādes sākšanas izlasiet lādētāja lietošanas instrukciju.
2. Raugieties, lai akumulatora un lādētāja kontaktu virsmas ir tīras un sausas.
3. Veiciet akumulatora uzlādi atbilstīgā lādētājā. 188



### 5.1.2 Akumulatora ievietošana

#### **BRĪDINĀJUMS!**

#### **Traumu risks īssavienojuma vai akumulatora nokrišanas gadījumā!**

- ▶ Pirms akumulatora ievietošanas pārliecinieties, ka uz akumulatora un izstrādājuma kontaktiem neatrodas nekādi svešķermeņi.
- ▶ Pārbaudiet, vai akumulators ir droši nofiksēts.

1. Pirms pirmās lietošanas pilnībā uzlādējiet akumulatoru.
2. Iebīdīet akumulatoru izstrādājumā, līdz tas dzirdami nofiksējas.
3. Pārbaudiet, vai akumulators ir droši nofiksēts.

### 5.1.3 Akumulatora izņemšana

1. Nospiediet akumulatora atbloķēšanas taustiņus.
2. Izvelciet akumulatoru no iekārtas.

### 5.1.4 Zāga ripas demontāža

#### **BRĪDINĀJUMS!**

#### **Apdedzināšanās un sagriešanās risks, pieskaroties zāga ripai, fiksācijas skrūvei un fiksācijas atlokam.** Tas var izraisīt apdegumus un grieztas traumas.

- ▶ Mainot instrumentus, lietojiet aizsargcimdus.

1. Izņemiet akumulatoru.
2. Nofiksējiet iekšējā sešstūra atslēgu uz zāga ripas fiksācijas skrūves.
3. Nospiediet vārpstas bloķēšanas taustiņu un turiet to nospiestu.
4. Ar iekšējā sešstūra atslēgu pagrieziet zāga ripas fiksācijas skrūvi, līdz pilnībā nofiksējas vārpstas bloķēšanas taustiņš.
5. Ar iekšējā sešstūra atslēgu griežot rotācijas virzienā atbilstīgi bultiņai, atlaidiet stiprinājuma skrūvi.
6. Izņemiet fiksācijas skrūvi un noņemiet ārējo fiksācijas atloku.
7. Atveriet svārstību aizsargu un noņemiet zāga ripu.



Ja nepieciešams, atbalsta atloku var noņemt, lai veiktu tīrīšanu.

### 5.1.5 Zāga ripas montāža

#### **IEVĒROT PIESARDZĪBU!**

#### **Bojājumu risks!** Nepiemērotas vai nepareizi piemontētas zāga ripas var izraisīt zāga bojājumus.

- ▶ Lietojiet tikai tādas zāga ripas, kas ir piemērotas šim zāgim. Pievērsiet uzmanību uz zāga ripas attēlotajai rotācijas virziena bultiņai.
- ▶ Lietojiet tikai tādas zāga ripas, kuru pieļaujama apgriezumu skaits ir vismaz tikpat liels kā uz izstrādājuma norādītais maksimālais apgriezumu skaits.



**Nodrošiniet, lai nofiksēšanai paredzētā zāga ripa atbilstu tehniskajām prasībām un būtu nevainojami uzasināta.** Asi zāga ripas zobi ir priekšnoteikums nevainojamai zāgējuma kvalitātei.

1. Izņemiet akumulatoru.
2. Notīriet stiprinājuma un fiksācijas atlokus.
3. Uzlieciet atbalsta atloku uz darba vārpstas, raugoties, lai tas būtu novietots pareizā virzienā.
4. Atveriet svārstīgo aizsargu.
5. Uzlieciet jaunu zāga ripu.
6. Pareizā virzienā uzlieciet ārējo fiksācijas atloku.
7. Ielieciet vietā fiksācijas skrūvi.
8. Nofiksējiet iekšējā sešstūra atslēgu uz zāga ripas fiksācijas skrūves.
9. Nospiediet vārpstas bloķēšanas taustiņu.
10. Nostipriniet fiksācijas atloku, ar iekšējā sešstūra atslēgu pagriežot fiksācijas skrūvi pretēji rotācijas virziena bultiņai.
  - ▶ Vārpstas bloķēšanas taustiņš nofiksējas.



11. Pirms iekārtas lietošanas pārbaudiet, vai zāģa ripa ir nofiksēta kārtīgi un novietota pareizi.

### 5.1.6 Zāģējuma dziļuma noregulēšana

1. Izņemiet akumulatoru.
2. Atbrīvojiet zāģējuma dziļuma iestatījuma fiksācijas sviru.
3. Ar pagrieziena kustību paceliet iekārtu un noregulējiet zāģējuma dziļumu ar fiksācijas sviras palīdzību.



Noregulētajam zāģējuma dziļumam vienmēr jābūt par 5 līdz 10 mm lielākam par zāģējamā materiāla biezumu.

Ar drošības pārsega aizmugurē esošās skalas un rādītāja palīdzību iespējams nolasīt iestatīto zāģējuma dziļumu.

### 5.1.7 Zāģēšanas leņķa iestatīšana

1. Izņemiet akumulatoru.
2. Atbrīvojiet zāģējuma leņķa noregulējuma fiksācijas sviru.
3. Pagrieziet iekārtu nepieciešamajā pozīcijā.



Zāģēšanas leņķa iepriekšējā iestatīšana ļauj vienkāršā veidā noregulēt maksimālo leņķi 22,5°/45°/50°.

4. Pievelciet zāģējuma leņķa iestatījuma fiksācijas sviru.

### 5.1.8 Kontūras zāģēšana



Pie ripzāģa priekšējās pamatplāksnes atrodas gan taisniem, gan slīpiem zāģējumiem paredzēts iezāģējuma rādītājs (0° un 45°). Ar tā palīdzību ir iespējams veikt precīzus zāģējumus izvēlētajā leņķī. Iezāģējuma mala atbilst zāģa ripas iekšpusei. Iezāģējuma rādītājs atrodas pie priekšējā zāģa ripas izgriezuma.



Nodrošiniet zāģējamo materiālu pret izkustēšanos.

Novietojiet zāģējamo materiālu tā, lai zāģa ripa zem tā varētu brīvi kustēties.

Pārliecinieties, ka ir izslēgts iekārtas ieslēgšanas / izslēgšanas slēdzis.

Novietojiet iekārtu ar pamatplāksni uz zāģējamā materiāla tā, lai zāģa zobi vēl nesaskartos ar materiālu.

1. Ievietojiet akumulatoru.
2. Kad ir nospiests ieslēgšanas bloķētājs, ieslēdziet iekārtu ar ieslēgšanas / izslēgšanas slēdzi.
3. Atbilstošā ātrumā virziet iekārtu gar kontūras atzīmi caur zāģējamo materiālu.

### 5.1.9 Paralēlās atdures montāža / noregulēšana

1. Izņemiet akumulatoru.
2. Ieskrūvējiet fiksācijas skrūvi pamatplāksnē tikai tik dziļi, lai paliktu pietiekami daudz vietas paralēlās atdures iebīdīšanai.
3. Iebīdīiet paralēlās atdures vadotni zem fiksācijas skrūves.
4. Noregulējiet nepieciešamo zāģējuma platumu.
5. Pievelciet fiksācijas skrūvi.



Paralēlo atduri (ar vienu vai divām malām) ir iespējams piemontēt abās pamatplāksnes pusēs. Paralēlā atdure ar divām malām ir paredzēta tikai lietošanai kopā ar lielo pamatplāksni.

Paralēlā atdure nodrošina iespēju veikt precīzus zāģējumus paralēli materiāla malai vai sazāģēt vienāda izmēra līstītes.

### 5.1.10 Vadotnes sliedes adaptera montāža



Zāģi iespējams aprīkot ar vadotnes sliedes adapteru, ko var iegādāties kā papildu aprīkojumu.

Ja iekārta ir aprīkota ar mazo pamatplāksni, lietojiet vadotnes sliedes adapteru, kas atbilst attiecīgajai vadotnes slīdei.

1. Izņemiet akumulatoru.
2. Ja ir piemontēta paralēlā atdure, noņemiet to.



3. Ievietojiet pamatplāksni vadotnes sliedes adaptera malējos atbalsta stieņos.
4. Līdz galam iebīdīet pamatplāksni vadotnes sliedes adapterā.
5. Nofiksējiet vadotnes sliedes adapteru, līdz atdurei iespiežot abus bīdāmos fiksatorus.

## 5.2 Darbs

### 5.2.1 Ieslēgšana

- ▶ Kad ir nospiests ieslēgšanas bloķētājs, ieslēdziet iekārtu ar ieslēgšanas / izslēgšanas slēdzi.

### 5.2.2 Izslēgšana

- ▶ Apturiet iekārtu, atlaižot ieslēgšanas / izslēgšanas slēdzi.

### 5.2.3 Garenvirziena zāgējumi leņķī 0° 10

1. Uzlieciet ripzāģi ar rievas atzīmi "0°" uz vadotnes sliedes stieņa.
2. Kad ir nospiests ieslēgšanas bloķētājs, ieslēdziet iekārtu ar ieslēgšanas / izslēgšanas slēdzi.
3. Atbilstošā darba ātrumā virziet izstrādājumu gar sliedi caur zāgējamo materiālu.

### 5.2.4 Garenvirziena zāgējumi leņķī līdz 50° 11

1. Iestatiet dziļuma leņķi.

#### BRĪDINĀJUMS!

**Sadursmes risks, veicot slīpu zāgējumu!** Sadursme starp zāģa ripu un vadotnes sliedi.

- ▶ Uzlieciet zāģi ar pareizo rievu uz vadotnes sliedes stieņa. Pretējā gadījumā notiks sadursme starp zāģa ripu un vadotnes sliedi.

2. Uzlieciet zāģi ar rievas atzīmi "1-50°" uz vadotnes sliedes stieņa.
3. Kad ir nospiests ieslēgšanas bloķētājs, ieslēdziet iekārtu ar ieslēgšanas / izslēgšanas slēdzi.
4. Atbilstošā darba ātrumā virziet izstrādājumu gar sliedi caur zāgējamo materiālu.

### 5.2.5 Leņķa zāgējumi plaknē 12

1. Novietojiet vadotnes sliedi uz zāgējamā materiāla ar nulles punktu pie materiāla malas un pagrieziet sliedi, lai nepieciešamais leņķis uz leņķa skalas būtu novietots pret nulles punktu. Parādītais zāgējuma leņķis ir leņķis, par kādu zāgējums atšķiras no taisna leņķa.
2. Nofiksējiet vadotnes sliedi ar divām skrūvspīlēm.
3. Uzlieciet ripzāģi ar rievas atzīmi "0°" uz vadotnes sliedes stieņa.
4. Kad ir nospiests ieslēgšanas bloķētājs, ieslēdziet iekārtu ar ieslēgšanas / izslēgšanas slēdzi.
5. Atbilstošā darba ātrumā virziet izstrādājumu gar sliedi caur zāgējamo materiālu.

### 5.2.6 Zāģēšana bez skaidu nosūcēja

1. Pievērsiet uzmanību tam, lai nebūtu traucēta skaidu izvietošana.
2. Ja nepieciešams, savienojuma īscauruli var noņemt, atskrūvējot skrūvi ar iekšējā sešstūra galviņu, izmantojot izstrādājuma komplektā iekļauto iekšējā sešstūra atslēgu.

## 6 Apkope un uzturēšana

#### BRĪDINĀJUMS!

**Traumu risks ievietota akumulatora gadījumā !**

- ▶ Pirms jebkādiem apkopes un tehniskā stāvokļa uzturēšanas darbiem vienmēr izņemiet akumulatoru!

#### Izstrādājuma kopšana

- Uzmanīgi notīriet pielipušos netīrumus.
- Ja izstrādājumam ir ventilācijas atveres, uzmanīgi iztīriet tās ar sausu, mīkstu birstīti.
- Notīriet korpusa virsmas tikai ar nedaudz samitrinātu drāniņu. Nelietojiet silikonu saturošus kopšanas līdzekļus, jo tie var sabojāt plastmasas daļas.
- Izstrādājuma kontaktu tīrīšanai lietojiet tīru un sausu drāniņu.

#### Litija jonu akumulatoru apkope

- Nekādā gadījumā nelietojiet akumulatoru ar nosprostotām ventilācijas atverēm. Uzmanīgi iztīriet ventilācijas atveres ar sausu, mīkstu birstīti.



- Nepakļaujiet akumulatoru nevajadzīgai putekļu vai netīrumu ietekmei. Nekādā gadījumā nepakļaujiet akumulatoru spēcīgam mitrumam (piemēram, nemērciet to ūdenī un neatstājiet lietū).  
Ja akumulators ir samircis, rīkojieties ar to tāpat, kā jūs rīkotos ar bojātu akumulatoru. Ievietojiet to izolētā nedegošā materiāla tvertnē un vērsieties **Hilti** servisā.
- Raugieties, lai akumulators nebūtu savārtīts ar nepiederīgu eļļu un smērvielām. Raugieties, lai uz akumulatora nevajadzīgi neuzkrātos putekļi un netīrumi. Notīriet akumulatoru ar sausu, mīkstu birstīti vai tīru un sausu drāniņu. Nelietojiet silikonu saturošus kopšanas līdzekļus, jo tie var sabojāt plastmasas daļas.  
Nepieskarieties akumulatora kontaktiem un neattīriet kontaktus no rūpnīcā uzklātās smērvielas.
- Notīriet korpusa virsmas tikai ar nedaudz samitrinātu drāniņu. Nelietojiet silikonu saturošus kopšanas līdzekļus, jo tie var sabojāt plastmasas daļas.

## Uzturēšana

### **BRĪDINĀJUMS!**

**Elektrošoka risks!** Neprofesionāli veikts elektrisko daļu remonts var kļūt par cēloni smagām traumām un apdegumiem.

- ▶ Elektrisko daļu labošanu var veikt tikai elektrības nozares speciālisti .
- Regulāri pārbaudiet visas redzamās daļas, lai pārliecinātos, ka tās nav bojātas un funkcionē nevainojami.
- Nelietojiet izstrādājumu, ja tam ir radušies bojājumi un/vai funkciju traucējumi. Nekavējoties nododiet izstrādājumu **Hilti** servisā remonta veikšanai.
- Pēc apkopes un remonta darbiem piemontējiet vietā visas aizsargierīces un pārbaudiet, vai tās darbojas nevainojami.



Lai izstrādājuma lietošana būtu droša, izmantojiet tikai oriģinālās rezerves daļas, patēriņa materiālus un piederumus. Rezerves daļas, patēriņa materiālus un piederumus, kuru lietošanu kopā ar šo izstrādājumu akceptē **Hilti**, var atrast **Hilti Store** vai tīmekļvietnē: [www.hilti.group](http://www.hilti.group)

### 6.1 Aizsargierīces tīrīšana

1. Lai varētu veikt aizsargierīces tīrīšanu, noņemiet zāga ripu.
2. Uzmaniģi iztīriet aizsargierīci ar sausu birstīti.
3. Ar piemērota instrumenta palīdzību iztīriet nogulsņējumus un skaidas no aizsargierīces iekšpusēs.
4. Piemontējiet zāga ripu.

### 6.2 Kā rīkoties skaidu kanāla aizsērēšanas gadījumā

1. Izņemiet akumulatoru.
2. Iztīriet skaidu kanālu.



Ja nepieciešams, demontējiet zāga ripu. 190

3. Pārbaudiet, vai kustīgās daļas darbojas bez traucējumiem un neķeras un vai kāda no daļām nav salauzta vai bojāta un tādējādi netraucē izstrādājuma nevainojamu darbību.

### 6.3 Pārbaude pēc apkopes un uzturēšanas darbiem



Pēc apkopes un uzturēšanas darbiem ir pārbaudiet, vai ir pievienotas visas aizsargierīces un vai to darbība ir nevainojama.

- ▶ Lai pārbaudītu drošības pārsega funkcijas, līdz galam atveriet to, nospiežot vadības sviru.
  - ▶ Pēc vadības sviras atlaišanas svārstīgajam drošības pārsegam ātri un pilnībā jāaizveras.

## 7 Transportēšana un uzglabāšana

**Ar akumulatoru darbināmu iekārtu un akumulatoru transportēšana**



### **IEVĒROT PIESARDZĪBU!**

**Nekontrolēta iedarbošanās transportēšanas laikā !**

- ▶ Pirms iekārtu transportēšanas vienmēr izņemiet no tām akumulatorus!



- ▶ Izņemiet akumulatoru / akumulatorus.
- ▶ Nekādā gadījumā netransportējiet akumulatorus nenostiprinātā veidā, sabērtus kaudzē. Transportēšanas laikā akumulatori jāsegā no triecieniem un vibrācijas, kā arī jāizolē no jebkādiem materiāliem, kam piemīt elektriskā vadītspēja, un citiem akumulatoriem, lai nepieļautu to nonākšanu saskarē ar citu bateriju kontaktiem un īssavienojuma rašanos. **Ievērojiet vietējos noteikumus par akumulatoru transportēšanu.**
- ▶ Akumulatorus nedrīkst sūtīt pa pastu. Ja vēlaties nosūtīt nebojātus akumulatorus, vērsieties sūtījumu piegādes uzņēmumā.
- ▶ Pirms katras lietošanas, kā arī pēc ilgākas transportēšanas pārbaudiet, vai izstrādājums un akumulatori nav bojāti.

#### Ar akumulatoru darbināmu iekārtu un akumulatoru uzglabāšana

#### BRĪDINĀJUMS!

#### Neparedzami bojājumi bojātu vai izplūdušu akumulatoru dēļ!

- ▶ Pirms iekārtu novietošanas glabāšanā vienmēr izņemiet no tām akumulatorus!
- ▶ Glabājiet izstrādājumu un akumulatorus vēsā un sausā vietā. Ievērojiet temperatūras robežvērtības, kas norādītas tehnisko parametru sadaļā.
- ▶ Neglabājiet akumulatorus uz lādētāja. Pēc uzlādes procesa vienmēr noņemiet akumulatoru no lādētāja.
- ▶ Nekad neglabājiet akumulatorus saulē, uz siltuma avotiem vai aiz stikla.
- ▶ Glabājiet izstrādājumu un akumulatorus tā, lai tiem nevarētu piekļūt bērni un nepiederošas personas.
- ▶ Pirms katras lietošanas, kā arī pēc ilgākas uzglabāšanas pārbaudiet, vai izstrādājums un akumulatori nav bojāti.

## 8 Traucējumu novēršana

- ▶ Ja izstrādājuma darbībā radušies traucējumi, kas nav uzskaitīti šajā tabulā vai ko jums neizdodas novērst saviem spēkiem, lūdzu, meklējiet palīdzību mūsu **Hilti** servisā.

### 8.1 Ripzāģis nav funkcionējošs

Traucējums	Iespējamais iemesls	Risinājums
LED indikācijas nav.	Akumulators nav kārtīgi ievietots.	▶ Ievietojiet akumulatoru.
	Akumulators ir izlādējies.	▶ Uzlādējiet akumulatoru.
	Akumulators ir pārāk auksts vai pārāk karsts.	▶ Nogaidiet, līdz akumulators sasniedz apkārtējai videi atbilstošu temperatūru.
1 LED mirgo.	Akumulators ir izlādējies.	▶ Uzlādējiet akumulatoru.
	Akumulators ir pārāk auksts vai pārāk karsts.	▶ Nogaidiet, līdz akumulators sasniedz apkārtējai videi atbilstošu temperatūru.
4 LED mirgo.	Īslaicīga ripzāģa pārslodze.	▶ Atlaidiet ieslēgšanas / izslēgšanas slēdzi un pēc tam nospiediet to vēlreiz.
	Termiskā aizsardzība.	▶ Ļaujiet ripzāģim atdzist un iztīriet ventilācijas atveres.

### 8.2 Ripzāģis ir funkcionējošs

Traucējums	Iespējamais iemesls	Risinājums
Ieslēgšanas / izslēgšanas slēdzi nav iespējams nospriest, respektīvi, tas ir nobloķēts.	Nav filtra (drošības funkcija).	▶ Nospiediet ieslēgšanas bloķēšanas slēdzi.
Pēkšņi ievērojami samazinās rotācijas ātrums.	Akumulators ir izlādējies.	▶ Uzlādējiet akumulatoru.
	Pārāk liels padeves spēks.	▶ Samaziniet padeves spēku un vēlreiz ieslēdziet iekārtu.





Traucējums	Iespējamais iemesls	Risinājums
Skaidas netiek nogādātas uz skaidu konteineru un nokrīt uz pamatplāksnes.	Skaidu tvertne ir pilna.	► Iztukšojiet skaidu tvertni.
	Nosprostots skaidu kanāls.	► Iztīriet skaidu kanālu. 193
Zāga ripa apstājas.	Pārāk liels padeves spēks.	► Samaziniet padeves spēku un vēlreiz ieslēdziet iekārtu.
Akumulators izlādējas ātrāk nekā parasti.	Akumulatora stāvoklis nav optimāls.	► Nomainiet akumulatoru.
Akumulators nenofiksējas ar sadzirdamu, divkāršu klikšķi.	Netīri akumulatora fiksācijas izcilņi.	► Notīriet fiksācijas izcilņus un nofiksējiet akumulatoru. Ja problēmas saglabājas, vērsieties <b>Hilti</b> servisā.
Ripzāģis vai akumulators spēcīgi sakarst.	Elektrisks defekts.	► Nekavējoties izslēdziet ripzāģi. Izņemiet akumulatoru un vērojiet to. Ļaujiet akumulatoram atdzist. Vērsieties <b>Hilti</b> servisā.
	Izstrādājums ir pārslogots (pārsniegtas ekspluatācijas robežas).	► Izvēlieties veicamajam darbam atbilstīgu iekārtu.
Zāģis spēcīgi vibrē.	Nepareizi piemontēta zāga ripa.	► Piemontējiet zāga ripu pareizi. 190

## 9 Nokalpojušo iekārtu utilizācija

### BRĪDINĀJUMS!

**Traumu risks neatbilstīgas utilizācijas gadījumā!** Veselības apdraudējums, izplūstot kaitīgām gāzēm un šķidrumiem.

- Bojātus akumulatorus nav atļauts nosūtīt!
- Lai nepieļautu īssavienojumus, nosedziet pieslēguma kontaktus ar materiālu, kam nepiemīt elektriskā vadītspēja.
- Utilizējiet akumulatorus tā, lai tiem nevarētu piekļūt bērni.
- Nododiet akumulatoru utilizācijai jūs apkalpojošajā **Hilti Store** vai vērsieties pie kompetentā atkritumu apsaimniekošanas uzņēmuma.

**Hilti** izstrādājumu izgatavošanā tiek izmantoti galvenokārt otrreiz pārstrādājami materiāli. Priekšnosacījums otrreizējai pārstrādei ir atbilstoša materiālu šķirošana. Daudzās valstīs **Hilti** pieņem nolietotās iekārtas otrreizējai pārstrādei. Lai saņemtu vairāk informācijas, vērsieties **Hilti** servisā vai pie sava pārdošanas konsultanta.



- Neizmetiet elektroiekārtas, elektroniskas ierīces un akumulatorus sadzīves atkritumos!

## 10 RoHS (direktīva par bīstamo vielu izmantošanas ierobežošanu)

Lai apskatītu bīstamo vielu tabulu, izmantojiet šādu saiti: [qr.hilti.com/r2937785](http://qr.hilti.com/r2937785).

Saiti uz RoHS tabulu jūs QR koda veidā atradīsiet šīs dokumentācijas beigās.

## 11 Ražotāja garantija

- Ar jautājumiem par garantijas nosacījumiem, lūdzu, vērsieties pie vietējā **Hilti** partnera.



# Originali naudojimo instrukcija

## 1 Informacija apie naudojimo instrukciją

### 1.1 Apie šią naudojimo instrukciją

- Prieš pradėdami eksploatuoti, perskaitykite šią naudojimo instrukciją. Tai yra saugaus darbo ir patikimo naudojimo sąlyga.
- Laikykitės saugos ir įspėjamųjų nurodymų, pateiktų šioje naudojimo instrukcijoje ir ant prietaiso.
- Šią naudojimo instrukciją visada laikykite kartu su prietaisu ir prietaisą kitiems asmenims perduokite tik kartu su šia naudojimo instrukcija.

### 1.2 Ženklų paaiškinimas

#### 1.2.1 Įspėjantieji nurodymai

Įspėjantieji nurodymai įspėja apie pavojus, gresiančius eksploatuojant prietaisą. Naudojami šie signaliniai žodžiai:

#### PAVOJUS

##### PAVOJUS !

- ▶ Šis žodis vartojamas norint įspėti apie tiesiogiai gresiantį pavojų, kurio pasekmės yra sunkūs kūno sužalojimai arba žūtis.

#### ĮSPĖJIMAS

##### ĮSPĖJIMAS !

- ▶ Šis žodis vartojamas norint įspėti apie galimai gresiantį pavojų, kurio pasekmės gali būti sunkūs kūno sužalojimai arba žūtis.

#### ATSARGIAI

##### ATSARGIAI !

- ▶ Šis žodis vartojamas potencialiai pavojingai situacijai žymėti, kai yra kūno sužalojimo arba materialinių nuostolių grėsmė.

#### 1.2.2 Naudojimo instrukcijoje naudojami simboliai

Šioje naudojimo instrukcijoje naudojami tokie simboliai:

	Laikykitės naudojimo instrukcijos
	Naudojimo nurodymai ir kita naudinga informacija
	Rodo, kad juo paženklintą medžiagą galima perdirbti
	Elektrinių prietaisų ir akumuliatorių nemesti į buitines atliekas
	<b>Hilti</b> ličio jonų akumulatorius
	<b>Hilti</b> Kroviklis

#### 1.2.3 Simboliai iliustracijose

Iliustracijose naudojami šie simboliai:

	Šis skaitmenys nurodo atitinkamą paveikslėlį šios naudojimo instrukcijos pradžioje.
3	Numeracija paveikslėliuose nurodo svarbius darbinis veiksmus arba darbiniams veiksams svarbias konstrukcines dalis. Tekste šie darbiniai veiksmai arba konstrukcinės dalys išskirtos atitinkamais numeriais, pvz., (3).
	Pozicijų numeriai naudojami paveikslėlyje <b>Apžvalga</b> – jie nurodo skyrelyje <b>Prietaiso vaizdas</b> esančių paaiškinimų numerius.





Šiuo ženklu siekiama atkreipti ypatingą dėmesį į naudojimąsi šiuo prietaisu.

### 1.3 Specifiniai prietaiso simboliai

#### 1.3.1 Simboliai

Ant prietaiso gali būti naudojami šie simboliai:

$n_0$	Nominalusis tuščiosios eigos sukimosi greitis
---	Nuolatinė srovė
RPM	Apsisukimai per minutę
$\emptyset$	Skersmuo
	Pjovimo diskas
	Prietaisas palaiko belaidį duomenų perdavimą, suderinamą su „iOS“ ir „Android“ platformomis.
Li-Ion	Ličio jonų akumuliatorius
	Naudotas <b>Hilti</b> serijos ličio jonų akumuliatorius. Atkreipkite dėmesį į duomenis skyriuje <b>Naudojimas pagal paskirtį</b> .
	Niekada nenaudokite akumuliatoriaus kaip smūginio įrankio.
	Saugokite, kad akumuliatorius nenukristų. Nenaudokite akumuliatoriaus, kuris buvo sutrenktas arba kaip nors kitaip pažeistas.

### 1.4 Informacija apie prietaisą

**HILTI** gaminiai yra skirti profesionalams, todėl juos naudoti, techniškai prižiūrėti ir remontuoti leidžiama tik įgaliotam instruktui personalui. Šis personalas turi būti supažindintas su visais galimais pavojais. Neapmokyto personalo, netinkamai arba ne pagal paskirtį naudojamas prietaisas ir jo reikmenys gali kelti pavojų.

Tipas ir serijos numeris yra nurodyti firminėje duomenų lentelėje.

- Serijos numerį perkelkite į toliau nurodytą lentelę. Kreipdamiesi su prietaisu susijusiais klausimais į mūsų atstovybę ar techninės priežiūros centrą, visada nurodykite šiuos prietaiso duomenis.

#### Prietaiso duomenys

Diskinis pjūklas	SC 70W-A22
Karta	01
Serijos Nr.	

### 1.5 Atitikties deklaracija

Prisiimdami visą atsakomybę pareiškiame, kad čia yra aprašytas gaminyje atitinka galiojančias direktyvas ir normas. Atitikties deklaracijos kopiją rasite šios instrukcijos gale.

Techninė dokumentacija saugoma čia:

Hilti Entwicklungsgesellschaft mbH | Zulassung Geräte | Hiltistraße 6 | 86916 Kaufering, DE

## 2 Sauga

### 2.1 Bendrieji saugos nurodymai dirbantiems su elektriniais įrankiais

**⚠️ ĮSPĖJIMAS** Perskaitykite visus ant šio elektrinio įrankio esančius saugos nurodymus, instrukcijas, paveikslėlius ir techninius duomenis. Šių nurodymų nesilaikymas gali tapti elektros smūgio, gaisro ir / arba sunkių sužalojimų priežastimi.

**Išsaugokite visus saugos nurodymus ir instrukcijas, kad galėtumėte į juos pažvelgti ateityje.**



Saugos nurodymuose vartojama sąvoka „elektrinis įrankis“ apibrėžiami iš elektros tinklo maitinami elektriniai įrankiai (turintys maitinimo kabelį) ir iš akumuliatoriaus maitinami elektriniai įrankiai (be maitinimo kabelio).

### Sauga darbo vietoje

- ▶ **Pasirūpinkite, kad darbo vieta visada būtų švari ir gerai apšviesta.** Netvarkinga ar blogai apšviesta darbo vieta gali tapti nelaimingų atsitikimų priežastimi.
- ▶ **Nenaudokite elektrinio įrankio sprogoje aplinkoje, kurioje yra degių skysčių, dujų arba dulkių.** Veikiantys elektriniai įrankiai kibirkščiuoja, ir kibirkštys gali uždegti dulkes arba susikaupusius garus.
- ▶ **Dirbdami su elektriniu įrankiu, neleiskite darbo zonoje būti vaikams ir pašaliniais asmenims.** Atitraukę dėmesį nuo darbo, galite nebesuvaldyti prietaiso.

### Apsauga nuo elektros

- ▶ **Prietaiso maitinimo kabelio kištukas turi atitikti elektros lizdo tipą.** Kištuko jokių būdų negalima keisti. **Nenaudokite tarpinių kištukų kartu su elektriniais įrankiais, turinčiais apsauginį įžeminimą.** Nepakeisti kištukai ir tinkami elektros lizdai mažina elektros smūgio riziką.
- ▶ **Venkite kūno kontakto su įžemintais paviršiais, pvz., vamzdžiais, šildytuvais, viryklėmis ir šaldytuvais.** Kai žmogaus kūnas yra įžemintas, padidėja elektros smūgio tikimybė.
- ▶ **Elektrinius įrankius saugokite nuo lietaus ir drėgmės.** Į elektrinį įrankį patekus vandens, padidėja elektros smūgio rizika.
- ▶ **Nenaudokite elektros maitinimo kabelio ne pagal paskirtį, t. y. neneškite elektrinio įrankio paėmę už kabelio, nekabinkite jo ant kabelio, netraukite už kabelio, norėdami ištraukti kištuką iš elektros lizdo.** Elektros maitinimo kabelį saugokite nuo karščio, alyvos, aštrių briaunų ar judančių dalių. Pažeisti arba susipynę elektros maitinimo kabeliai didina elektros smūgio riziką.
- ▶ **Jei su elektriniu įrankiu dirbate lauke, naudokite tik tokius ilginimo kabelius, kurie tinka ir lauko darbams.** Naudojant lauko darbams tinkančius ilginimo kabelius, mažėja elektros smūgio rizika.
- ▶ **Jeigu elektrinio įrankio naudojimo drėgnoje aplinkoje negalima išvengti, į elektros tinklą jįjunkite per apsauginę nuotėkio relę.** Apsauginė nuotėkio relė mažina elektros smūgio riziką.

### Žmonių sauga

- ▶ **Dirbdami su elektriniu įrankiu, būkite atidūs, sutelkite dėmesį į darbą ir vadovaukitės sveika nuovoka.** Elektrinio įrankio nenaudokite, jeigu esate pavargę arba apsvaigę nuo narkotinių medžiagų, alkoholio ar vaistų. Neatidumo akimirka dirbant su elektriniu įrankiu gali tapti rimtų sužalojimų priežastimi.
- ▶ **Naudokite asmenines apsaugos priemones ir visuomet užsidėkite apsauginius akinius.** Naudojant asmenines apsaugos priemones, pvz., respiratorių, neslystančius apsauginius batus, apsauginį šalimą, ausines ir kt., priklausomai nuo elektrinio įrankio tipo ir naudojimo, mažėja rizika susižaloti.
- ▶ **Saugokitės, kad neįjungtumėte prietaiso atsitiktinai.** Prieš prijungdami prie elektros maitinimo tinklo, įdėdami akumuliatorių, imdami į rankas ar nešdami, įsitikinkite, kad elektrinis įrankis yra išjungtas. Jeigu nešdami elektrinį įrankį pirštą laikysite ant jungiklio arba įrankį įjungsite į elektros tinklą tuomet, kai jungiklis nėra išjungtas, gali įvykti nelaimingas atsitikimas.
- ▶ **Prieš įjungdami elektrinį įrankį, pašalinkite iš jo reguliavimo įrankius ar veržlinius raktus.** Besisukančioje prietaiso dalyje esantis įrankis ar paliktas raktas gali tapti sužalojimų priežastimi.
- ▶ **Venkite nepatogių kūno padėčių.** Dirbdami stovėkite tvirtai ir visada išlaikykite kūno pusiausvyrą. Taip galėsite geriau kontroliuoti elektrinį įrankį netikėtose situacijose.
- ▶ **Vilkėkite tinkamą aprangą. Nevilkėkite plačių drabužių, nesidėkite papuošalų.** Saugokite plaukus, drabužius ir pirštines nuo besisukančių prietaiso dalių. Laisvus drabužius, papuošalus ir ilgus plaukus gali įtraukti besisukančios prietaiso dalys.
- ▶ **Jeį yra numatyta galimybė prijungti dulkių nusiurbimo ar surinkimo įrenginius, visada įsitikinkite, kad jie yra prijungti ir tinkamai naudojami.** Naudojant dulkių nusiurbimo įrenginį, gali sumažėti dulkių keliama grėsmė.
- ▶ **Neturėkite iliuzijų, kad visada esate saugūs, ir, skaitydami naudojimo instrukcijas, nepraleiskite skyrelių apie saugų darbą su elektriniais įrankiais, net jeigu per ilgus naudojimo metus esate su savo elektriniu įrankiu susipažinę.** Neatsargus veiksmas per sekundės dalį gali tapti sunkių sužalojimų priežastimi.

### Elektrinio įrankio naudojimas ir elgesys su juo

- ▶ **Prietaiso neperkraukite.** Naudokite Jūsų darbui tinkamą elektrinį įrankį. Su tinkamu elektriniu įrankiu dirbsite geriau ir saugiau, jei neviršysite nurodytos galios.
- ▶ **Nenaudokite elektrinio įrankio su sugedusiu jungikliu.** Elektrinis įrankis, kurio nebegalima įjungti ar išjungti, yra pavojingas ir jį reikia remontuoti.
- ▶ **Prieš prietaisą nustatydami, keisdami reikmenis ar tiesiog padėdami į šalį, visuomet ištraukite maitinimo kabelio kištuką iš elektros lizdo ir / arba iš prietaiso išimkite akumuliatorių.** Ši atsargumo priemonė leis išvengti netikėto elektrinio įrankio įsijungimo.



- ▶ **Nenaudojamus elektrinius įrankius saugokite vaikams nepasiekiamoje vietoje. Neleiskite prietaisui naudotis asmenims, kurie nėra su juo susipažinę arba nėra perskaitę šios instrukcijos.** Elektriniai įrankiai yra pavojingi, kai juos naudoja patirties neturintys asmenys.
- ▶ **Elektrinius įrankius ir reikmenis rūpestingai prižiūrėkite.** Tikrinkite, ar judančios elektrinio įrankio dalys tinkamai funkcionuoja ir niekur nekliūva, ar nėra sulūžusių ir pažeistų dalių, kurios blogintų įrankio veikimą. Prieš naudojimą pažeistos prietaiso dalys turi būti suremontuotos. Blogai prižiūrimi elektriniai įrankiai yra daugelio nelaimingų atsitikimų priežastis.
- ▶ **Pjovimo įrankiai visuomet turi būti aštrūs ir švarūs.** Rūpestingai prižiūrėti pjovimo įrankiai su aštriomis pjovimo briaunomis mažiau stringa ir yra lengviau valdomi.
- ▶ **Elektrinį įrankį, reikmenis, keičiamuosius įrankius ir t. t. naudokite pagal šias instrukcijas. Taip pat atsižvelkite į darbo sąlygas ir atliekamo darbo pobūdį.** Elektrinius įrankius naudojant ne pagal paskirtį, gali kilti pavojingos situacijos.
- ▶ **Prižiūrėkite rankenas, kad jos ir jų laikymo paviršiai visada būtų sausi, švarūs ir neriebaluoti.** Slidžios rankenos ir jų laikymo paviršiai negali užtikrinti elektrinio įrankio saugaus naudojimo ir valdymo kontrolės nenumatytose situacijose.

#### Akumulatorinio įrankio naudojimas ir elgesys su juo

- ▶ **Akumuliatoriams įkrauti naudokite tik tuos kroviklius, kuriuos rekomenduoja gamintojas.** Kroviklį, tinkantį tik nurodytiems akumuliatorių tipams, naudojant kitiems akumuliatoriams įkrauti, kyla gaisro pavojus.
- ▶ **Elektriniuose įrankiuose naudokite tik konkrečiai jiems skirtus akumulatorius.** Naudojant kitokius akumulatorius, kyla pavojus susižaloti ir sukelti gaisrą.
- ▶ **Nenaudojamo akumulatoriaus nelaikykite šalia sąvaržėlių, monetų, raktų, vinių, varžtų ar kitokių smulkių metalinių daiktų, kurie galėtų trumpai sujungti akumulatoriaus kontaktus.** Trumpai sujungus akumulatoriaus kontaktus, yra pavojus nusideginti ar sukelti gaisrą.
- ▶ **Netinkamai naudojant akumuliatorių, iš jo gali ištekėti skystis. Venkite kontakto su šiuo skysčiu.** Jei skysčio atsitiktinai pateko ant odos, nuplaukite ją vandeniu, jei pateko į akis - gerai praplaukite jas vandeniu ir nedelsdami kreipkitės į gydytoją. Akumulatoriaus skystis gali sudirginti arba chemiškai nudeginti odą.
- ▶ **Nenaudokite pažeisto arba perdirbto akumulatoriaus.** Pažeisti arba perdirbti akumulatoriai gali funkcionuoti nenumatyta, todėl gali kelti gaisro, sprogimo ar sužalojimų pavojų.
- ▶ **Akumuliatorių saugokite nuo ugnies ir per aukštos temperatūros.** Ugnies arba didesnės kaip 130 °C (265 °F) temperatūros veikiamas akumulatorius gali sprogti.
- ▶ **Laikykites visų įkrovimo instrukcijų ir akumuliatorių arba akumulatorinį įrankį visada įkraukite tik eksploatacijoje nurodytame temperatūrų diapazone.** Netinkamas įkrovimas arba įkrovimas už leistino temperatūrų diapazono ribų gali sugadinti akumuliatorių ir padidinti gaisro pavojų.

#### Techninė priežiūra

- ▶ **Savo elektrinį įrankį patikėkite remontuoti tik kvalifikuotam specialistui, tam jis turi naudoti tik originalias atsargines dalis.** Taip galima užtikrinti, kad bus išlaikytas prietaiso naudojimo saugumas.
- ▶ **Niekada nevykdykite pažeistų akumuliatorių techninės priežiūros.** Bet kokią akumuliatorių techninę priežiūrą leidžiama vykdyti tik gamintojui arba įgaliotoms klientų aptarnavimo įmonėms.

## 2.2 Saugos nurodymai dirbantiems visais pjūklais

### Pjovimo procesas

- ▶ **⚠ PAVOJUS:** Nekiškite rankų į pjovimo zoną ir prie pjovimo įrankio. Antrąją ranką laikykite papildomą rankeną arba variklio korpusą. Kai pjūklą laiko abi rankos, pjovimo diskas jų sužaloti negali.
- ▶ **Nekiškite rankų po pjaunamu ruošiniu.** Kadangi po ruošinio nėra apsauginio gaubto, todėl jis negali Jūsų apsaugoti nuo pjovimo disko.
- ▶ **Pjovimo gylį parinkite pagal ruošinio storį.** Po ruošiniu turi matytis ne visas danties aukštis.
- ▶ **Pjaunamo ruošinio niekada nelaikykite rankoje arba ant kojų. Ruošinį stabiliai užfiksuokite.** Labai svarbu ruošinį gerai pritvirtinti, kad pavojus pjūklui prisiliesti prie kūno, užstrigti pjovimo diskui arba prietaisui tapti nebevaldomu būtų kuo mažesnis.
- ▶ **Kai vykdote darbus, kurių metu keičiamasis įrankis gali paliesti paslėptus elektros laidus, laikykite elektrinį įrankį tik už izoliuotų rankenų paviršių.** Palietus laidus, kuriais teka srovė, įtampa atsiranda ir metalinėse elektrinio įrankio dalyse, todėl kyla elektros smūgio pavojus.
- ▶ **Vykdydami išilginio pjovimo darbus, visada naudokite atramą arba tiesią briaunos kreipiančiąją.** Ji didina pjūvio tikslumą ir mažina pjovimo disko įstrigimo tikimybę.
- ▶ **Visada naudokite tinkamo dydžio pjovimo diskus su prietaiso griebtuvą atitinkančia tvirtinimo anga (pvz., žvaigždės formos arba apvalia).** Pjūklų montavimo elementų neatitinkantys pjovimo diskai sukasi netolygiai, todėl prietaisas gali tapti nebevaldomas.



- ▶ **Niekada nenaudokite pažeistų arba netinkamų pjovimo disko tarpiklių arba varžtų.** Pjovimo disko žiediniai tarpikliai ir varžtai yra specialiai pritaikyti Jūsų pjūklui, todėl užtikrina optimalų jo našumą ir eksploataavimo saugumą.

#### **Atatranka – priežastys ir atitinkami saugos nurodymai**

- Atatranka yra staigi elektrinio įrankio reakcija į pjovimo disko užsikabinimą ar įstrigimą, sukeltą galbūt ir netinkamos disko orientacijos, kurios metu nekontroliuojamas pjūklas pakyla iš ruošinio ir pradeda judėti dirbančio asmens link;
- jei pjovimo diskas užsikabina ar užstringa susispaudžiančiame pjovimo plyšyje, jis užsiblokuoja, ir tada variklio jėga sviedžia pjūklą juo dirbančio asmens link;
- jei pjovimo diskas pjovimo plyšyje deformuojamas arba netinkamai nukreipiamas, galinės pjovimo disko briaunos dantys gali kabinti ruošinio paviršių, dėl to pjovimo diskas gali išsokti iš pjovimo plyšio ir visas pjūklas gali pajudėti juo dirbančio asmens link.

Atatranka yra pjūklo netinkamo arba netikslaus naudojimo pasekmė. Jos galima išvengti naudojant tinkamas, toliau aprašomas atsargumo priemones.

- ▶ **Pjūklą tvirtai laikykite paėmę abiem rankomis, jas laikydami tokioje padėtyje, kad galėtumėte pasipriešinti atatrankos jėgoms. Visada būkite pjovimo disko šone, dirbant Jūsų kūnas neturi būti už besisukančio pjovimo disko ir jo sukimosi plokštumoje.** Veikiant atatrankos jėgai, diskinis pjūklas gali staiga pajudėti atgal, tačiau naudotojas, imdamasis tinkamų atsargumo priemonių, gali šią jėgą suvaldyti.
- ▶ **Jei pjovimo diskas stringa arba Jūs nutraukiate darbą, išjunkite pjūklą ir ramiai palaiykite ruošinyje, kol diskas visiškai sustos. Niekada nebandykite išimti pjūklą iš ruošinio arba traukti jį atgal, kol pjovimo diskas dar sukasi, – gali kilti atatranka.** Nustatykite ir pašalinkite pjovimo disko strigimo priežastį.
- ▶ **Jei ruošinyje esantį pjūklą norite įjungti iš naujo, nustatykite pjovimo diską pjovimo plyšio centre ir patikrinkite, ar pjūklo dantys neįstrigę ruošinyje.** Jei pjūklo diskas stringa, pakartotinai įjungus, jis gali išslysti iš ruošinio arba dėl jo gali atsirasti atatrankos jėga.
- ▶ **Dideles plokštes atremkite, kad, pjovimo diskui įstrigus, sumažėtų atatrankos tikimybė.** Didelės plokštes gali sulinkti dėl savo svorio. Plokštes reikia atremti abiejose pusėse – prie pjovimo plyšio ir kraštuose.
- ▶ **Nenaudokite atšipusių arba pažeistų pjovimo diskų.** Dėl pjovimo diskų, kurių dantys atšipę arba netinkami, sumažėja pjovimo plyšys ir padidėja trintis, pjovimo diskas gali pradėti strigti ir atsiranda atatrankos jėga.
- ▶ **Prieš pradėdami pjauti, priveržkite pjovimo gylio ir pjovimo kampo nustatymo rankenėles.** Jei įjaunant nustatymai pasikeičia, pjovimo diskas gali įstrigti ir dėl to gali kilti atatranka.
- ▶ **Ypač atsargiai pjaukite angas sienose ar kitose mažai žinomose vietose.** Iš viršaus įjaunamas pjovimo diskas gali paliesti paslėptus objektus, užsiblokuoti ir sukelti atatranką.

### **2.3 Papildomi saugos nurodymai**

#### **Žmonių sauga**

- ▶ **Prietaisą draudžiama keisti ar kitaip juo manipuliuoti.**
- ▶ **Prietaisą visada laikykite tvirtai, abiem rankomis paėmę už rankenų. Rankenas prižiūrėkite – jos visada turi būti sausos, švarios ir netepaluotos.**
- ▶ **Dirbdami užsidėkite ausines.** Triukšmas gali pakenkti klausai.
- ▶ **Jeigu prietaisą naudojate be dulkių nusiurbimo įrenginio, dirbdami dulkes keliančius darbus užsidėkite lengvą respiratorių.**
- ▶ **Prietaisą naudokite tik su jo apsauginiais įtaisais.**
- ▶ **Dirbdami darykite pertraukas ir atpalaidavimo pratimus pirštams, kad pagerėtų kraujotaka.**
- ▶ **Prietaisas nėra skirtas naudoti fiziškai silpniems neinstrukuotiems asmenims.**
- ▶ **Prietaisą laikykite vaikams nepasiekiamoje vietoje.**
- ▶ **Prietaisą įjunkite tik darbo vietoje.**
- ▶ **Prietaisą laikykite ir transportuokite tik išėmę akumuliatorių.**
- ▶ **Nedirbkite prietaisą pakėlę virš galvos.**
- ▶ **Nestabdykite prietaiso, iš šono spausdami pjovimo diską.**
- ▶ **Pjūvio linijoje neturi būti jokių kliūčių. Nepjaukite varžtų, vinių ir t. t.**
- ▶ **Kai prietaisas veikia, nelieskite fiksavimo jungės ir fiksavimo varžto.**
- ▶ **Niekada nespauskite veleno blokavimo mygtuko, kol pjovimo diskas dar sukasi.**
- ▶ **Nenukreipkite prietaiso į kitus asmenis.**



- ▶ Pastūmos jėgą pasirinkite pagal naudojamą pjovimo diską ir apdirbamąją medžiagą taip, kad pjovimo diskas nebūtų blokuojamas ir neatirsatų atatrunkos jėga.
- ▶ Saugokite, kad neperkaistų pjūklo dantų viršūnės.
- ▶ Pjaunant plastikus, reikia vengti šių medžiagų lydymosi.
- ▶ Tam tikrų medžiagų, pvz., dažų, kuriuose yra švino junginių, kai kurių medienos rūšių, betono / mūro / akmens, kuriuose yra kvarco ir kitų mineralų, taip pat metalo dulksės gali būti sveikatai kenksmingos. Liečiamos ar įkvėptos tokios dulksės darbuotojui ar arti jo esantiems asmenims gali sukelti alergines reakcijas ir / arba kvėpavimo takų susirgimus. Ažuolo arba buko medienos dulksės gali sukelti vėžinius susirgimus, ypač tada, kai buvo naudojami priedai medienai apdoroti (chromatai, medienos konservantai). Medžiagas, kuriose yra asbesto, leidžiama apdoroti tik specialistams. **Pagal galimybes naudokite dulkių nusiurbimo įrenginį. Norėdami efektyviai nusiurbti didžiąją dulkių dalį, naudokite tinkamą mobilių dulkių gaudymo įtaisą. Jeigu reikia, naudokite atitinkamoms dulksėms skirtą kvėpavimo takus saugančią kaukę. Pasirūpinkite, kad darbo vieta būtų gerai vėdinama. Laikykitės Jūsų šalyje galiojančių konkrečių medžiagų apdirbimo instrukcijų.**
- ▶ Prieš pradėdami dirbti, nustatykite darbo metu kiliančių dulkių kenksmingumo klasę. Naudokite licencijuotą statybinį dulkių siurbį, atitinkantį apsaugos klasę pagal vietoje galiojančias apsaugos nuo dulkių normas.
- ▶ Laikykitės nacionalinių darbų saugos reglamentų.

#### Apsauga nuo elektros

- ▶ Prieš pradėdami dirbti, patikrinkite (pvz., naudodami metalo detektorių), ar darbo zonoje nėra paslėptų elektros laidų, dujų ir vandentiekio vamzdžių. Netyčia pažeidus, pvz., elektros kabelį, išorinėse metalinėse prietaiso dalyse taip pat gali atsirasti įtampa. Tai kelia rimtą elektros smūgio pavojų.

#### Atsargus elgesys su akumulatoriaus ir jų naudojimas

- ▶ Laikykitės ličio jonų akumuliatorių specialiųjų transportavimo, sandėliavimo ir naudojimo direktyvų.
- ▶ Saugokite akumulatorius nuo aukštos temperatūros ir ugnies. Yra sproginimo pavojus.
- ▶ Akumulatorius draudžiama ardyti, spausti, kaitinti iki aukštesnės kaip 80 °C (176 °F) temperatūros arba deginti. Priešingu atveju kyla gaisro, sproginimo ir nusidėginimo cheminėmis medžiagomis pavojus.
- ▶ Pažeistus akumulatorius (pvz., matomi įtrūkimai, sulaužytos dalys, deformuoti, nustumti atgal ir / arba ištraukti kontaktai) draudžiama ir įkrauti, ir toliau naudoti.
- ▶ Akumuliatorių nenaudokite kaip energijos šaltinio kitiems, nenurodytiems vartotojams maitinti.
- ▶ Jeigu į rankas paimtas akumulatorius atrodo karštas, jis gali būti sugedęs. **Prietaisą padėkite nedegioje vietoje toliau nuo degių medžiagų ir, nuolat stebėdami akumuliatorių, leiskite atvėsti. Kai akumulatorius atvės, susisiekite su Hilti techninės priežiūros centru.**

#### 2.4 Papildomi saugos nurodymai dirbantiems su diskinais pjūklais

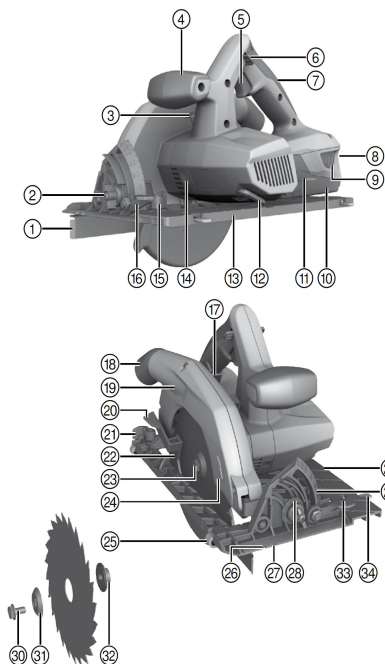
- ▶ Ruošinio link stumkite tik įjungtą rankinį diskinį pjūklą.
  - ▶ Pjūvio linijos viršuje ir apačioje neturi būti jokių kliūčių. Nepjaukite varžtų, vinių ir pan.
- ▶ Su diskiniu pjūklu niekada nedirbkite virš galvos.
- ▶ Pjovimo disko niekada nestabdykite spausdami iš šono.
- ▶ Saugokite, kad neperkaistų disko dantų viršūnės.
- ▶ Medžiagoms pjauti visada naudokite tik joms tinkamus pjovimo diskus.
- ▶ Naudokite tik „Hilti“ rekomenduojamus pjovimo diskus, atitinkančius normą EN 847-1.

#### 2.5 Su akumulatoriais elgtis atsargiai

- ▶ Laikykitės ličio jonų akumuliatorių specialiųjų transportavimo, sandėliavimo ir naudojimo direktyvų.
- ▶ Akumulatorius saugokite nuo aukštos temperatūros, tiesioginių saulės spindulių ir ugnies.
- ▶ Akumulatorius draudžiama ardyti, spausti, kaitinti iki aukštesnės kaip 80 °C (176 °F) temperatūros arba deginti.
- ▶ Nenaudokite ir neįkraukite akumuliatorių, kurie buvo patyrę smūgi, kritę iš didesnio kaip vieno metro aukščio ar yra pažeisti kitokiu būdu. Tokiu atveju visada kreipkitės į savo **Hilti techninės priežiūros centrą**.
- ▶ Jeigu į rankas paimtas akumulatorius atrodo karštas, jis gali būti sugedęs. Padėkite akumuliatorių matomoje, nedegioje vietos pakankamu atstumu nuo degių medžiagų. Leiskite akumuliatoriui atvėsti. Jei akumulatorius po valandos vis dar yra per karštas paimti į rankas, jis yra sugedęs. Susisiekite su **Hilti techninės priežiūros centru**.



#### 3.1 Prietaiso vaizdas 1



- ① Vienpetė lygiagrečioji atrama
- ② Pradinis pjovimo kampo (22,5°, 45°, 50°) nustatymas
- ③ Veleno fiksavimo mygtukas
- ④ Papildoma rankena
- ⑤ Jungiklis
- ⑥ Įjungimo blokatorius
- ⑦ Rankena
- ⑧ Įkrovo lygio ir sutrikimų indikatorius (ličio jonų akumulatoriaus)
- ⑨ Atblokavimo mygtukai su papildoma įkrovo lygio indikatoriaus suaktyvinimo funkcija
- ⑩ Akumulatorius
- ⑪ Pjovimo gylio nustatymo įtaiso užspaudimo svirtis
- ⑫ Vidinis šešiabriaunis raktas
- ⑬ Maža pagrindo plokštė
- ⑭ Šviesadiodis apšvietimas
- ⑮ Priekinės lygiagrečiosios atramos užspaudimo svirtis
- ⑯ Pjovimo kampo nustatymo įtaiso užspaudimo svirtis
- ⑰ Pjovimo gylio skalė
- ⑱ Prijungimo atvamzdis (pjūvenų kanalas)
- ⑲ Apsauginis gaubtas
- ⑳ Paslankiojo apsauginio gaubto valdymo svirtis
- ㉑ Galinės lygiagrečiosios atramos užspaudimo svirtis (tik didelei pagrindo plokštei)
- ㉒ Paslankusis apsauginis gaubtas
- ㉓ Pavaros velenas
- ㉔ Sukimosi krypties rodyklė
- ㉕ Dvipetė lygiagrečioji atrama
- ㉖ Pjūvio žyma 0°
- ㉗ Pjūvio žyma 45°
- ㉘ Pjovimo kampo skalė
- ㉙ Didelė pagrindo plokštė
- ㉚ Fiksavimo varžtas
- ㉛ Fiksavimo jungė
- ㉜ Tvirtinimo jungė
- ㉝ Griovelio žyma 0° ant pagrindo plokštės
- ㉞ Griovelio žyma 1–50° ant pagrindo plokštės

#### 3.2 Kreipiančiosios liniuotės adapteris 2

- ⑳ Galinės laikančiosios pertvaros
- ㉑ Priekinė laikančioji pertvara
- ㉒ Griovelio žyma 0°
- ㉓ Griovelio žyma 1–50°

#### 3.3 Naudojimas pagal paskirtį

Aprašytasis prietaisas yra akumulatorinis diskinis pjūklas. Jis yra skirtas medienai ir į medieną panašioms gamybinėms medžiagoms, plastikams, gipso kartonui, gipso pluošto plokštėms ir kompozitinėms medžiagoms pjauti.





Rankinis diskinis pjūklas turi nuimamą prijungimo atvamzdį papildomai užsakomam dulkių siurbliui / dulkių gaudymo įtaisui, prie kurio galima prijungti plačiai naudojamą siurblių žarnas. Siurblio žarnai sujungti su pjūkle gali tekti naudoti tinkamą adapterį.

- ▶ Nenaudoti pjovimo diskų, neatitinkančių nurodytų parametrų (pvz., skersmens, sukimosi greičio, storio), pjaustymo ir šlifavimo diskų bei pjovimo diskų, pagamintų iš gausiai legiruoto greitapjovio plieno (HSS plieno). Draudžiama pjauti metalą.
- ▶ Nenaudokite prietaiso šakoms ir medžių kamienams pjauti.
- ▶ Su šiuo prietaisu naudokite tik B 22 serijos **Hilti** ličio jonų akumuliatorius.
- ▶ Šiems akumuliatoriams įkrauti naudokite tik C4/36 serijos **Hilti** kroviklius.

### 3.4 Ličio jonų akumuliatoriaus indikatorius

Apie ličio jonų akumuliatoriaus įkrovos lygį ir prietaiso sutrikimus informuoja ličio jonų akumuliatoriaus indikatorius. Ličio jonų akumuliatoriaus įkrovos lygis rodomas paspaudus vieną iš dviejų akumuliatoriaus atblokovimo mygtukų.

Būsena	Reikšmė
Šviečia 4 šviesos diodai.	Įkrovos lygis: nuo 75 iki 100 %
Šviečia 3 šviesos diodai.	Įkrovos lygis: nuo 50 iki 75 %
Šviečia 2 šviesos diodai.	Įkrovos lygis: nuo 25 iki 50 %
Šviečia 1 diodas.	Įkrovos lygis: nuo 10 iki 25 %
Mirksi 1 šviesos diodas, prietaisas yra parengtas naudoti.	Įkrovos lygis: < 10 %
Mirksi 1 šviesos diodas, prietaisas neparengtas naudoti.	Akumuliatorius yra perkaitęs arba visiškai išsikrovęs.
Mirksi 4 šviesos diodai, prietaisas neparengtas naudoti.	Prietaisas yra perkrautas arba perkaitęs.

Kai nuspaustas valdymo jungiklis ir maždaug 5 sekundes po jo paleidimo įkrovos lygio pasižiūrėti negalima.

Kai akumuliatoriaus indikatorius šviesos diodai mirksi, laikykitės skyriuje „Pagalba sutrikus veikimui“ pateiktų nurodymų.

### 3.5 Lygiagrečioji atrama

Naudojant vieno peties lygiagrečiąją atramą, galima atlikti tikslius pjūvius išilgai ruošinio briaunos arba išpjauti vienodų matmenų juostas.

Lygiagrečiąją atramą galima montuoti abiejose pagrindo plokštės pusėse.

### 3.6 Tiekiamas komplektas

Diskinis pjūklas, pjovimo diskas, vidinis šešiabriaunis raktas, lygiagrečioji atrama, prijungimo atvamzdį dulkių siurbliui, naudojimo instrukcija, (pasirinktinai: kreipiančiosios liniuotės adapteris).

Mūsų aprobuotas atsargines dalis, eksploatacines medžiagas ir reikmenis savo prietaisui rasite vietinėje **Hilti Store** arba tinklalapyje [www.hilti.group](http://www.hilti.group).

### 3.7 Reikmenys

Fiksavimo jungė, tvirtinimo jungė, fiksavimo varžtas.

## 4 Techniniai duomenys

### 4.1 Diskinis pjūklas

	SC 70W-A22
Nominalioji maitinimo įtampa	21,6 V
Svoris pagal „EPTA-Procedure 01“	4,8 kg
Nurodytas pjovimo disko skersmuo	190 mm



	SC 70W-A22
Bazinis pjovimo disko storis	0,7 mm ... 1,5 mm
Pjūvio plotis	1,5 mm ... 2 mm
Pjovimo disko tvirtinimo skylė	30 mm
Nominalus tuščiosios eigos sukimosi greitis	3 500 aps./min.
Maksimalus pjovimo gylis, esant 0°	70 mm
Maksimalus pjovimo gylis, esant 45°	51 mm
Maksimalus pjovimo gylis, esant 50°	45 mm
Istrižo pjovimo kampas	0° ... 50°
Darbinė temperatūra	-10 °C ... 50 °C
Laikymo temperatūra (be akumulatoriaus)	-30 °C ... 70 °C

## 4.2 Akumulatorius

Akumulatoriaus darbinė įtampa	21,6 V
Darbinė aplinkos temperatūra	-17 °C ... 60 °C
Laikymo temperatūra	-20 °C ... 40 °C
Akumulatoriaus temperatūra, kai pradeda įkrauti	-10 °C ... 45 °C

## 4.3 Triukšmo ir vibracijos reikšmės išmatuotos pagal EN 62841

Šiuose nurodymuose pateiktos garso slėgio ir vibracijos reikšmės yra išmatuotos taikant standartizuotą matavimo metodą ir gali būti naudojamos elektriniams įrankiams palyginti tarpusavyje. Jos taip pat tinka šių veiksmų poveikiui iš anksto įvertinti. Nurodytieji duomenys yra susieti su pagrindinėmis šio elektrinio įrankio naudojimo sritimis. Jeigu elektrinis įrankis bus naudojamas kitaip, su skirtingais keičiamaisiais įrankiais arba bus nepakankamai techniškai prižiūrimas, šie duomenys gali skirtis nuo nurodytųjų. Tai gali gerokai padidinti šių veiksmų poveikį per visą darbo laikotarpį. Norint tiksliai įvertinti poveikį, reikėtų įvertinti ir laiką, kai prietaisas yra išjungtas, arba, nors ir įjungtas, juo faktiškai nedirbama. Toks įvertinimas gali smarkiai sumažinti poveikio per visą darbo laikotarpį reikšmę. Imkitės papildomų saugos priemonių, kad darbuotojas būtų apsaugotas nuo triukšmo ir / arba vibracijos poveikio, pavyzdžiui, reikalaukite tinkamos elektrinio įrankio ir keičiamųjų įrankių techninės priežiūros, pasirūpinkite, kad darbuotojų rankos visada būtų šiltos, užtikrinkite tinkamą darbo organizavimą.

### Skleidžiamo triukšmo lygio reikšmės nustatytos pagal EN 62841

	SC 70W-A22
Garso stiprumo lygis ( $L_{WA}$ )	103 dB(A)
Garso stiprumo lygio paklaida ( $K_{WA}$ )	3 dB(A)
Garso slėgio lygis ( $L_{pA}$ )	92 dB(A)
Garso slėgio lygio paklaida ( $K_{pA}$ )	3 dB(A)

### Suminės vibracijų reikšmės (vektorinės sumos trijose ašyse), nustatytos pagal EN 62841

	SC 70W-A22
Vibracijų emisijos reikšmė pjaunant medieną ( $A_{h, w}$ )	0,93 m/s <sup>2</sup>
Paklaida (K)	1,5 m/s <sup>2</sup>

## 5 Naudojimas

### 5.1 Paruošimas darbui

#### 5.1.1 Akumulatoriaus įkrovimas

1. Prieš pradėdami krauti, perskaitykite kroviklio naudojimo instrukciją.
2. Atkreipkite dėmesį, kad akumulatoriaus ir kroviklio kontaktai turi būti švarūs ir sausi.
3. Akumuliatorių įkraukite leistinu krovikliu. 202



### 5.1.2 Akumulatoriaus įdėjimas

#### ĮSPĖJIMAS

#### Sužalojimo pavojus dėl trumpojo jungimo arba krintančio akumulatoriaus!

- ▶ Prieš įdėdami akumuliatorių įsitikinkite, kad jo ir prietaiso kontaktuose nėra pašalinių daiktų.
- ▶ Įsitikinkite, kad akumulatorius visada tinkamai užsifiksuos.

1. Prieš pirmąjį kartą naudodami, akumuliatorių pilnai įkraukite.
2. Akumuliatorių stumkite į prietaisą, kol jis girdimai užsifiksuos.
3. Patikrinkite, ar akumulatorius gerai užsifiksuotas prietaise.

### 5.1.3 Akumulatoriaus išėmimas

1. Spauskite akumulatoriaus atfiksavimo mygtukus.
2. Akumuliatorių išimkite iš prietaiso.

### 5.1.4 Pjovimo disko nuėmimas

#### ĮSPĖJIMAS

#### Pavojus nusideginti ir įsipjauti pjovimo disku, fiksavimo varžtu ir fiksavimo jungė Galima nudegti ir įsipjauti.

- ▶ Keisdami įrankius, mėvėkite apsaugines pirštines.

1. Akumuliatorių išimkite.
2. Į pjovimo disko fiksavimo varžtą įstatykite vidinį šešiabriaunį raktą.
3. Laikykite nuspaudę veleno fiksavimo mygtuką.
4. Vidiniu šešiabriauniu raktu sukite pjovimo disko fiksavimo varžtą, kad veleno blokavimo mygtukas visiškai užsifiksuotų.
5. Vidiniu šešiabriauniu raktu sukdami pagal sukimosi krypties rodyklę, atlaisvinkite fiksavimo varžtą.
6. Nuimkite fiksavimo varžtą ir išorinę fiksavimo jungę.
7. Atlenkite paslankųjį apsauginį gaubtą ir išimkite pjovimo diską.



Jeigu reikia, tvirtinimo jungę galima nuimti ir nuvalyti.

### 5.1.5 Pjovimo disko uždėjimas

#### ATSARGIAI

#### Galima žala! Netinkami arba netinkamai įdėti pjovimo diskai gali sugadinti pjūklą.

- ▶ Naudokite tik šiam pjūklui tinkančius pjovimo diskus. Atkreipkite dėmesį į sukimosi krypties rodyklę ant pjovimo disko.
- ▶ Naudokite pjovimo diskus, kurių leistinas sukimosi greitis yra ne mažesnis, nei ant produkto nurodytas didžiausias sukimosi greitis.



Įsitikinkite, kad tvirtinamas pjovimo diskas atitinka techninius reikalavimus ir yra gerai pagaldas. Aštrus pjovimo diskas yra neprikaištingo pjūvio sąlyga.

1. Akumuliatorių išimkite.
2. Nuvalykite tvirtinimo ir fiksavimo jungę.
3. Ant pavaros veleno tinkama kryptimi užmaukite tvirtinimo jungę.
4. Atidarykite paslankųjį apsauginį gaubtą.
5. Uždėkite naują pjovimo diską.
6. Tinkama kryptimi uždėkite išorinę fiksavimo jungę.
7. Įstatykite fiksavimo varžtą.
8. Į pjovimo disko fiksavimo varžtą įstatykite vidinį šešiabriaunį raktą.
9. Paspauskite veleno fiksavimo mygtuką.
10. Fiksavimo jungę pritvirtinkite fiksavimo varžtu, vidinį šešiabriaunį raktą sukdami prieš sukimosi krypties rodyklę.
  - ▶ Veleno blokavimo mygtukas užsifiksuoja.
11. Prieš naudodami, patikrinkite, ar pjovimo diskas tinkamai ir patikimai pritvirtintas.



### 5.1.6 Pjovimo gylis nustatymas

1. Akumuliatorių išimkite.
2. Atlaisvinkite pjovimo gylis nustatymo įtaiso užspaudimo svirtį.
3. Kirpimo formos judesiais pakelkite prietaisą ir, priverždami užspaudimo svirtį, nustatykite pjovimo gylį.



Nustatytasis pjovimo gylis visada turi būti maždaug 5–10 mm didesnis už pjaunamos medžiagos storį.

Nustatytą gylį rodo užpakalinėje apsauginio gaubto pusėje esanti skalė ir rodyklė.

### 5.1.7 Pjovimo kampo nustatymas

1. Akumuliatorių išimkite.
2. Atleiskite nustatyto pjovimo kampo užspaudimo svirtį.
3. Pasukite prietaisą į norimą padėtį.



Pjovimo kampo pradinio nustatymo įtaisas leidžia lengvai pasirinkti maksimalų pjovimo kampą – 22,5° / 45° / 50°.

4. Priveržkite nustatyto pjovimo kampo užspaudimo svirtį.

### 5.1.8 Pjovimas pagal žymėjimo liniją



Ant diskinio pjūklo priekinės pagrindo plokštės yra žymėjimo linijos rodyklė, skirta tiek tiesiems, tiek ir įstrižiesiems pjūviams (0° ir 45°). Ji leidžia, priklausomai nuo pasirinkto pjovimo kampo, pjauti preciziškus pjūvius. Žymėjimo linijos kraštas atitinka pjovimo disko vidinę pusę. Žymėjimo linijos rodyklė yra pjovimo disko priekinėje išpjoje.



Pritvirtinkite ruošinį, kad nepasislinktų.

Ruošinį padėkite tokioje padėtyje, kad jo pjovimo diskas galėtų laisvai sukis.

Įsitikinkite, kad prietaiso jungiklis yra išjungtas.

Uždėkite prietaisą su pagrindo plokšte ant ruošinio taip, kad pjovimo diskas dar nesiliestų su ruošiniu.

1. Įdėkite akumuliatorių.
2. Kai įjungimo blokatorius paspaustas, prietaisą įjunkite spausdami jungiklį.
3. Prietaisą tinkamu greičiu stumkite ant ruošinio išilgai žymėjimo linijos.

### 5.1.9 Lygiagrečiosios atramos montavimas ir nustatymas

1. Akumuliatorių išimkite.
2. Užspaudimo varžtą įsukite į pagrindo plokštę tiek, kad dar liktų pakankamai vietos lygiagrečiajai atramai perstumti.
3. Lygiagrečiosios atramos kreipiančiąją pastumkite po užspaudimo varžtą.
4. Nustatykite norimą pjovimo plotį.
5. Užspaudimo varžtą stipriai priveržkite.



Lygiagrečiąją atramą (vienpetę arba dvipetę) galima montuoti abiejose pagrindo plokštės pusėse. Dvipetė lygiagrečioji atrama naudojama tik su didele pagrindo plokšte.

Naudojant lygiagrečiąją atramą, galima tiksliai pjauti išilgai ruošinio briaunos arba pjauti vienodų matmenų tašus.

### 5.1.10 Kreipiančiosios liniuotės adapterio montavimas



Pjūkle galima sumontuoti kreipiančiosios liniuotės adapterį, kuris yra įsigijamas kaip reikmuo.

Pjūklams su maža pagrindo plokšte naudokite kreipiančiosios liniuotės adapterį, tinkantį kreipiančiajai liniuotei.

1. Akumuliatorių išimkite.
2. Jei yra sumontuota lygiagrečioji atrama, nuimkite ją.
3. Pagrindo plokštę įstatykite į kreipiančiosios liniuotės adapterio šonines laikančiąsias pertvaras.
4. Pagrindo plokštę visiškai įstatykite į kreipiančiosios adapterį.
5. Abu sklaščius įspausdami iki atramos, kreipiančiosios liniuotės adapterį užfiksukite.



## 5.2 Darbas

### 5.2.1 Įjungimas

- ▶ Kai įjungimo blokatorius paspaustas, prietaisą įjunkite spausdami jungiklį.

### 5.2.2 Išjungimas

- ▶ Sustabdykite prietaisą atleisdami jungiklį.

### 5.2.3 Išilginiai pjūviai 0° kampu **10**

1. Uždėkite diskinį pjūklą taip, kad griovelio „0°“ žyma būtų ant kreipiančiosios liniuotės pertvaros.
2. Kai įjungimo blokatorius paspaustas, prietaisą įjunkite spausdami jungiklį.
3. Prietaisą tinkamu greičiu stumkite ant ruošinio išilgai liniuotės.

### 5.2.4 Išilginiai pjūviai iki 50° kampu **11**

1. Nustatykite kampą.

#### ĮSPĖJIMAS

**Susidūrimo pavojus dėl įstrižojo pjūvio!** Pjovimo disko susidūrimai su kreipiamąja liniuote.

- ▶ Uždėkite pjūklą taip, kad tinkamas griovelis užsimautų ant kreipiamosios liniuotės pertvaros. Priešingu atveju pjovimo diskas gali susidurti su kreipiamąja liniuote.
2. Uždėkite pjūklą taip, kad griovelio „1°-50°“ žyma būtų ant kreipiančiosios liniuotės pertvaros.
  3. Kai įjungimo blokatorius paspaustas, prietaisą įjunkite spausdami jungiklį.
  4. Prietaisą tinkamu greičiu stumkite ant ruošinio išilgai liniuotės.

### 5.2.5 Smailaus pjovimo kampo nustatymas **12**

1. Kreipiančiosios liniuotės nulinį tašką uždėkite ant ruošinio briaunos ir sukite liniuotę tol, kol jos nulinis taškas sutaps su norimu kampinės skalės kampu. Rodomas pjovimo kampas reiškia kampą, kurio pjūvis skiriasi nuo stačiu kampu atliekamo pjūvio.
2. Užfiksuokite kreipiančiąją liniuotę dviem sraigtiniais veržtuvais.
3. Uždėkite diskinį pjūklą taip, kad griovelio „0°“ žyma būtų ant kreipiančiosios liniuotės pertvaros.
4. Kai įjungimo blokatorius paspaustas, prietaisą įjunkite spausdami jungiklį.
5. Prietaisą tinkamu greičiu stumkite ant ruošinio išilgai liniuotės.

### 5.2.6 Pjovimas be pjuvenų nusiurbimo

1. Užtikrinkite, kad pjuvenų išmetimui niekas netrukdytų.
2. Jeigu reikia, prietaise esančiu vidiniu šešiabriauniu raktu atsukus varžtą su vidiniu šešiabriauniu galvutėje, prijungimo atvamdį galima nuimti nuo apsauginio gaubto.

## 6 Priežiūra ir einamasis remontas

#### ĮSPĖJIMAS

**Sužalojimo pavojus kai įstatytas akumulatorius !**

- ▶ Prieš pradėdami bet kokius techninės priežiūros ir einamojo remonto darbus, akumuliatorių iš prietaiso išimkite!

#### Prietaiso priežiūra

- Atsargiai pašalinkite prilipusius nešvarumus.
- Jei yra, vėdinimo plyšius atsargiai išvalykite sausu, minkštu šepetėliu.
- Korpusą valykite tik šiek tiek sudrėkinta šluoste. Nenaudokite priemonių, kurių sudėtyje yra silikono, nes jos gali pakenkti plastikinėms detalėms.
- Naudokite švarią, sausą šluostę prietaiso kontaktams valyti.

#### Ličio jonų akumuliatorių priežiūra

- Niekada nenaudokite akumulatoriaus, jei jo vėdinimo plyšiai yra užsikimšę. Vėdinimo plyšius atsargiai išvalykite sausu, minkštu šepetėliu.
- Saugokite akumuliatorių nuo bereikalingo dulkių ir nešvarumų poveikio. Saugokite akumuliatorių nuo didelės drėgmės (pvz., nepanardinkite į vandenį ir nepalikite stovėti lietuje). Jei akumuliatorius peršlapo, elkitės su juo kaip su pažeistu akumuliatoriumi. Izoliuokite jį nedegiamiame konteineryje ir kreipkitės į Hilti techninės priežiūros centrą.



- Saugokite akumuliatorių nuo pašalinės alyvos ir tepalų. Saugokite, kad ant akumuliatoriaus nenusėstų dulkių ir nešvarumų. Akumuliatorių valykite sausu, minkštu šepetėliu arba švaria, sausa šluoste. Nenaudokite priemonių, kurių sudėtyje yra silikono, nes jos gali pakenkti plastikinėms detalėms. Nelieskite akumuliatoriaus kontaktų ir nepašalinkite nuo kontaktų gamykloje užtepto tepalo.
- Korpusą valykite tik šiek tiek sudrėkinta šluoste. Nenaudokite priemonių, kurių sudėtyje yra silikono, nes jos gali pakenkti plastikinėms detalėms.

## Einamasis remontas

### ĮSPĖJIMAS

**Pavojų kelia elektros smūgis!** Netinkamas elektrinių komponentų remontas gali tapti sunkių sužalojimų ir nudegimų priežastimi.

- ▶ Remontuoti elektrines įrenginio dalis leidžiama tik kvalifikuotiems elektrikams.
- Reguliariai tikrinkite, ar matomos dalys nėra pažeistos ir ar valdymo elementai veikia neprikaištingai.
- Nenaudokite pažeisto ir / arba turinčio veikimo sutrikimų prietaiso. Prietaisą nedelsdami pristatykite remontuoti į **Hilti** techninės priežiūros centrą.
- Baigę techninės priežiūros ir einamojo remonto darbus, sumontuokite visus apsauginius įtaisus ir patikrinkite jų veikimą.



Kad eksploatacija būtų patikima, naudokite tik originalias atsargines dalis, eksploatacines medžiagas ir priedus. **Hilti** aprobuotas atsargines dalis, eksploatacines medžiagas ir reikmenis savo prietaisui rasite vietinėje **Hilti Store** arba tinklalapyje [www.hilti.group](http://www.hilti.group)

## 6.1 Apsauginio įtaiso valymas

1. Prieš valydami apsauginį įtaisą, nuimkite pjovimo diską.
2. Apsauginius įtaisus atsargiai valykite sausu šepetėliu.
3. Apsauginių įtaisų viduje susikaupusias apnašas ir pjuvenas šalinkite tinkamu įrankiu.
4. Uždėkite pjovimo diską.

## 6.2 Darbiniai veiksmai užsikimšus pjuvenų kanalui

1. Akumuliatorių išimkite.
2. Išvalykite pjuvenų kanalą.



Jeigu reikia, nuimkite pjovimo diską. 205

3. Patikrinkite, ar judančios prietaiso dalys tinkamai veikia ir niekur nekliūva, ar nėra sulūžusių ir pažeistų dalių, kurios blogintų prietaiso veikimą.

## 6.3 Tikrinimas po techninės priežiūros ir einamojo remonto darbų



Po techninės priežiūros ir einamojo remonto darbų tikrinkite, ar visi apsauginiai įtaisai yra sumontuoti ir ar tinkamai veikia.

- ▶ Norėdami patikrinti paslankųjį apsauginį gaubtą, jį visiškai atidarykite naudodami valdymo svirtį.
  - ▶ Valdymo svirtį paleidus, paslankusis apsauginis gaubtas turi greitai ir visiškai užsidaryti.

## 7 Transportavimas ir sandėliavimas

### Akumuliatorinių įrankių ir akumuliatorių transportavimas

#### ATSARGIAI

**Atsitiktinis įjungimas transportuojant !**

- ▶ Savo prietaisus visada transportuokite tik išėmę akumuliatorius!
- ▶ Išimkite akumuliatorių/akumuliatorius.
- ▶ Akumuliatorių niekada netransportuokite sumetę į krūvą su kitais daiktai. Transportuojamus akumuliatorius būtina saugoti nuo stiprių smūgių ir vibracijos, taip pat izoliuoti nuo bet kokių elektrai laidžių medžiagų ir kitų akumuliatorių, kad jie nesiliestų su kitų akumuliatorių poliais ir nesukeltų trumpojo jungimo. **Laikykitės eksploatavimo vietoje galiojančių akumuliatorių transportavimo direktyvų.**



- ▶ Akumulatorius draudžiama siųsti paštu. Jei norite siųsti nepažeistus akumulatorius, kreipkitės į pervedimų įmonę.
- ▶ Prieš kiekvieną naudojimą ir po ilgesnio transportavimo patikrinkite, ar prietaisas ir akumulatoriai nepažeisti.

### Akumuliatorių įrankių ir akumuliatorių sandėliavimas

#### ĮSPĖJIMAS

#### Atsitiktinis pažeidimas dėl sugedusių ar išsiliejusių akumuliatorių !

- ▶ Savo prietaisus visada laikykite tik išėmę akumulatorius!
- ▶ Prietaisas ir akumuliatorių laikykite vėsioje ir sausoje vietoje. Atkreipkite dėmesį į ribines temperatūros vertes, nurodytas skyriuje „Techniniai duomenys“.
- ▶ Akumuliatoriaus nelaikykite ant kroviklio. Akumuliatorių visada nuimkite nuo kroviklio po įkrovimo proceso.
- ▶ Nelaikykite akumuliatoriaus saulėje, ant šilumos šaltinių ar už lango stiklo.
- ▶ Prietaisą ir akumulatorius laikykite vaikams bei neįgaliesiems asmenims neprieinamoje vietoje.
- ▶ Prieš kiekvieną naudojimą ir po ilgesnio laikymo patikrinkite, ar prietaisas ir akumulatoriai nepažeisti.

## 8 Pagalba sutrikus veikimui

- ▶ Pasitaikius sutrikimų, kurie nėra aprašyti šioje lentelėje arba kurių negalite pašalinti patys, kreipkitės į Hilti techninės priežiūros centrą.

### 8.1 Diskinis pjūklas neparengtas veikti

Sutrikimas	Galima priežastis	Sprendimas
Šviesos diodai nieko nerodo.	Akumulatorius netinkamai įstatytas.	▶ Įdėkite akumuliatorių.
	Akumulatorius išsikrovęs.	▶ Akumuliatorių įkraukite.
	Akumulatorius per karštas arba per šaltas.	▶ Akumuliatorių atvėsinkite arba pašildykite iki tinkamos aplinkos temperatūros.
1 šviesos diodas mirksi.	Akumulatorius išsikrovęs.	▶ Akumuliatorių įkraukite.
	Akumulatorius per karštas arba per šaltas.	▶ Akumuliatorių atvėsinkite arba pašildykite iki tinkamos aplinkos temperatūros.
Mirksi 4 šviesos diodai.	Diskinis pjūklas trumpam perkrautas.	▶ Jungiklį atleiskite ir vėl paspauskite.
	Apsauga nuo perkaitimo.	▶ Leiskite diskiniam pjūklui atvėsti ir išvalykite vėdinimo plyšius.

### 8.2 Diskinis pjūklas yra parengtas veikti

Sutrikimas	Galima priežastis	Sprendimas
Jungiklio negalima paspausti arba jis yra užblokuotas.	Gedimo nėra (apsauginė funkcija).	▶ Paspauskite įjungimo blokatorių.
Staiga stipriai sumažėja sukimosi greitis.	Akumulatorius išsikrovęs.	▶ Akumuliatorių įkraukite.
	Per didelę pastūmos jėgą.	▶ Pastūmos jėgą sumažinkite ir prietaisą vėl įjunkite.
Pjuvenos netransportuojamos į pjuvenų konteinerį ir krinta ant pagrindo plokštės.	Prisipildė pjuvenų konteineris.	▶ Ištuštinkite pjuvenų konteinerį.
	Užkimštas pjuvenų kanalas.	▶ Išvalykite pjuvenų kanalą. 208
Pjovimo diskas nesisuka.	Per didelę pastūmos jėgą.	▶ Pastūmos jėgą sumažinkite ir prietaisą vėl įjunkite.
Akumulatorius išsikrauna greičiau nei paprastai.	Akumuliatoriaus būklė nėra optimali.	▶ Akumuliatorių pakeiskite nauju.



Sutrikimas	Galima priežastis	Sprendimas
Akumulatorius neužsifiksuoja ir nepasigirsta dvigubas spragtelėjimas.	Užterštas akumulatoriaus fiksatorius.	▶ Fiksatorių nuvalykite ir akumulatorių užfiksuokite. Jei problemos išspręsti nepavyksta, kreipkitės į <b>Hilti</b> techninės priežiūros centrą.
Diskinis pjūklas arba akumulatorius stipriai kaista.	Elektrinis gedimas	▶ Diskinį pjūklą nedelsdami išjunkite. Akumulatorių išimkite ir stebėkite. Leiskite akumulatoriui atvėsti. Susisiekite su <b>Hilti</b> techninės priežiūros centru.
	Prietaisas yra perkrautas (viršyta nurodyta apkrova).	▶ Pasirinkite tinkamos galios prietaisą.
Pjūklas smarkiai vibruoja	Netinkamai įdėtas pjovimo diskas	▶ Tinkamai sumontuokite pjovimo diską. 205

## 9 Utilizavimas

### ĮSPĖJIMAS

**Sužalojimo pavojus dėl netinkamo utilizavimo!** Išsėjančios dujos ir ištekantis skystis kelia pavojų sveikatai.

- ▶ Pažeistų akumulatorių nesiųskite paštu ir nepervežkite!
- ▶ Kad būtų išvengta trumpojo jungimo, jungtis uždenkite elektrai nelaidžia medžiaga.
- ▶ Akumulatorius utilizuokite taip, kad jie negalėtų patekti į vaikų rankas.
- ▶ Akumulatorių pristatykite utilizuoti į savo **Hilti Store** arba kreipkitės į vietinę kompetentingą utilizavimo įmonę.

Didelė **Hilti** prietaisų dalis yra pagaminta iš medžiagų, kurias galima perdirbti. Būtina antrinio perdirbimo sąlyga yra tinkamas medžiagų išrūšiavimas. Daugelyje šalių **Hilti** priims Jūsų nebenaudojamą prietaisą perdirbti. Apie tai galite pasiteirauti artimiausiam **Hilti** techninės priežiūros centre arba savo prekybos konsultanto.



- ▶ Elektrinių įrankių, elektroninių prietaisų ir akumulatorių neišmeskite į buitinius šiukšlynus!

## 10 RoHS (direktyva dėl pavojingų medžiagų naudojimo ribojimo)

Pavojingų medžiagų lentelę rasite spausdami šią nuorodą: [qr.hilti.com/r2937785](http://qr.hilti.com/r2937785).

Nuorodą į RoHS lentelę rasite kaip QR kodą šios instrukcijos gale.

## 11 Gamintojo teikiama garantija

- ▶ Kilus klausimų dėl garantijos sąlygų, kreipkitės į vietinį **Hilti** partnerį.

## Originalkasutusjuhend

### 1 Andmed kasutusjuhendi kohta

#### 1.1 Kässoleva käsitsemisjuhendi kohta

- Enne seadme kasutuselevõttu lugege läbi kasutusjuhend. See on ohutu kasutamise ja tõrgeteta töö eeldus.
- Järgige kässolevas kasutusjuhendis ja seadmel esitatud ohutusnõudeid ja hoiatusi.
- Hoidke kasutusjuhend alati toote juures ja andke toode teistele isikutele edasi ainult koos kässoleva kasutusjuhendiga.





## 1.2 Märkide selgitus

### 1.2.1 Hoiatused

Hoiatused annavad märku toote kasutamisel tekkivatest ohtudest. Kasutatakse järgmisi märksõnu:



**OHT**

**OHT !**

- ▶ Võimalikud ohtlikud olukorrad, mis võivad põhjustada kasutaja raskeid kehavigastusi või hukkumist.



**HOIATUS**

**HOIATUS !**

- ▶ Võimalik ohtlik olukord, mis võib põhjustada kasutaja raskeid kehavigastusi või hukkumist.



**ETTEVAATUST**

**ETTEVAATUST !**

- ▶ Võimalikud ohtlikud olukorrad, mis võivad põhjustada kehavigastusi või varalist kahju.

### 1.2.2 Sümbolid kasutusjuhendis

Käesolevas kasutusjuhendis kasutatakse järgmisi sümboleid:



Järgige kasutusjuhendit



Soovitusi seadme kasutamiseks ja muu kasulik teave



Taaskasutatavate materjalide käsitlemine



Elektrilisi tööriistu ja akusid ei tohi visata olmejäätmete hulka



**Hilti** Li-Ion-aku



**Hilti** Laadimisseade

### 1.2.3 Joonistel kasutatud sümbolid

Joonistel kasutatakse järgmisi sümboleid.



Numbrid viitavad vastavatele joonistele kasutusjuhendi juhendi alguses.



Numbrid joonistel tähistavad tähtsaid toiminguid või toimingute jaoks tähtsaid detaile. Tekstis tõstetakse need toimingud või detailid vastava numbriga abil esile, näiteks **(3)**.



Positsiooninumbreid kasutatakse joonisel **Ülevaade** ja need viitavad selgituste numbritele **toote ülevaates**.



See märk näitab, et toote käsitlemisel tuleb olla eriti tähelepanelik.

## 1.3 Tootepõhised sümbolid

### 1.3.1 Sümbolid

Tootel võib kasutada alljärgnevat sümboleid:



Nimipöörlemiskiirus tühikäigul



Alalisvool



Pööret minutis



Läbimõõt



Saeketas



	Seade toetab andmete traadita ülekandmist, mis on ühildatav iOS- ja Android-platvormidega.
Li-Ion	Liitumioonaku
	Kasutatud HilTI Li-ioonaku seeria. Pidage kinni peatükis <b>Sihipärane kasutamine</b> toodud juhistest.
	Ärge kasutage akut kunagi löögiriistana.
	Ärge laske akul kunagi maha kukkuda. Ärge kasutage akut, mis on saanud löögi või on muul moel kahjustatud.

#### 1.4 Tooteinfo

tooted on ette nähtud professionaalsele kasutajale ja neid tohivad käsitseda, hooldada ja korras hoida ainult volitatud ja asjaomase väljaõppega isikud. Nimetatud personal peab olema teadlik kõikidest kaasnevatest ohtudest. Seade ja sellega ühendatavad abivahendid võivad osutada ohtlikuks, kui neid ei kasutata nõuetekohaselt või kui nendega töötab vastava väljaõppeta isik.

Tüübitähis ja seerianumber on tüübisildil.

- ▶ Kandke seerianumber järgmise tabelisse. Andmeid toote kohta vajate meie esindusele või hooldekeskusele päringute esitamisel.

##### Tooteinfo

Ketassaag	SC 70W-A22
Pölvkond	01
Seerianumber	

#### 1.5 Vastavusdeklaratsioon

Kinnitame ainuvastutajana, et käesolevas kasutusjuhendis kirjeldatud seade vastab kehtivate direktiivide ja standardite nõuetele: Vastavusdeklaratsiooni ära kirja leiate käesoleva kasutusjuhendi lõpust.

Tehnilised dokumendid on saadaval:

HilTI Entwicklungsgesellschaft mbH | Zulassung Geräte | Hiltistraße 6 | 86916 Kaufering, DE

## 2 Ohutus

### 2.1 Üldised ohutusnõuded elektriliste tööriistade kasutamisel

**⚠ HOIATUS! Lugege kõiki selle elektrilise tööriista juurde kuuluvaid ohutusjuhiseid, nõuandeid, jooniseid ja tehnilisi andmeid!** Järgmiste juhiste eiramise tagajärg võib olla elektrilöökk, tulekahju ja/või rasked vigastused.

**Hoidke kõik ohutusnõuded ja juhised edaspidiseks kasutamiseks alles.**

Ohutusjuhistes kasutatud mõiste "elektriline tööriist" käib võrgutoitega (toitejuhtmega) elektriliste tööriistade või akutoitega (toitejuhtmeta) elektriliste tööriistade kohta.

#### Ohutus töökohal

- ▶ **Hoidke oma töökoht puhas ja valgustage seda korralikult.** Korrastamata ja valgustamata töökoht võib põhjustada õnnetusi.
- ▶ **Ärge kasutage elektrilist tööriista plahvatusohtlikus keskkonnas, kus leidub tuleohtlikke vedelikke, gaase või tolmu.** Elektrilistest tööriistadest lööb sädemeid, mis võivad tolmu või auru süüdata.
- ▶ **Hoidke lapsed ja kõik teised töökohast eemal, kui kasutate elektrilist tööriista!** Kui teie tähelepanu juhitakse kõrvale, võib seade teie kontrolli alt väljuda.

#### Elektriõhus

- ▶ **Elektrilise tööriista pistik peab sobima pistikupesaga. Pistiku juures ei tohi teha mingeid muudatusi. Kaitsemaandusega seadmete puhul ei tohi kasutada adapterpistikuid.** Muutmata pistikud ja sobivad pistikupesad vähendavad elektrilöögiohtu.
- ▶ **Vältige keha kontakti maandatud pindadega (nt toru, radiaator, pliit, külmik).** Kui teie keha on maandatud, on elektrilöögi oht suurem.
- ▶ **Kaitske elektrilist tööriista vihma ja niiskuse eest.** Kui elektrilise tööriista sisemusse satub vett, suurendab see elektrilöögiohtu.



- ▶ **Ärge kasutage ühenduskaablit elektrilise tööriista kandmiseks, riputamiseks ega pistiku stepslist väljatõmbamiseks!** Hoidke ühenduskaablit eemal kuumusest, õlidest, teravatest servadest ja liikuvatest osadest. Kahjustatud või keerdsu ühenduskaablid suurendavad elektrilöögiohtu.
- ▶ **Kui töötate elektrilise tööriistaga vabas õhus, kasutage ainult selliseid pikendusjuhtmeid, mida tohib kasutada ka välitingimustes.** Välitingimustes sobiva pikendusjuhtme kasutamine vähendab elektrilöögiohtu.
- ▶ **Kui seadmega töötamine niiskes keskkonnas on vältimatut, kasutage rikkevoolu kaitselülitiit.** Rikkevoolu kaitselülitiit kasutamine vähendab elektrilöögiohtu.

#### Inimeste ohutus

- ▶ **Olge tähelepanelik, jälgige, mida teete, ja toimige elektrilise tööriistaga töötades kaalutletult. Ärge töötage elektrilise tööriistaga, kui olete väsinud või alkoholi, narkootikumide või ravimite mõju all!** Hetkeline tähelepanematus elektrilise tööriista kasutamisel võib põhjustada raskeid kehavigastusi ja varalist kahju.
- ▶ **Kandke isiklikke kaitsevahendeid ja alati kaitseprille.** Isiklike kaitsevahendite, nt tolmu maski, libisemiskindlate turvajalatsite, kaitsekiivri või kuulmiskaitsevahendite kandmine (sõltuvalt elektrilise tööriista tüübist ja kasutusalasest) vähendab vigastusohtu.
- ▶ **Vältige elektrilise tööriista soovimatut käivitamist!** Enne elektrilise tööriista ühendamist vooluvõrku ja/või elektrilise tööriista aku paigaldamist, tööriista ülestõstmist ja kandmist veenduge, et elektriline tööriist on välja lülitatud! Kui hoiate elektrilise tööriista kandmisel sõrme lülitiil või ühendate vooluvõrku sisselülitatud tööriista, võib juhtuda õnnetus.
- ▶ **Enne elektrilise tööriista sisselülitamist eemaldage selle küljest seade- ja mutrivõtmed.** Elektrilise tööriista pöörleva osa küljes olev seade- või mutrivõti võib põhjustada vigastusi.
- ▶ **Vältige ebatavalist tööasendit! Võtke stabiilne tööasend ja säilitage alati tasakaal.** Nii saate elektrilist tööriista ootamatutes olukordades paremini kontrollida.
- ▶ **Kandke sobivat rõivastust. Ärge kandke laiu riideid ega ehteid!** Hoidke juuksed, rõivad ja kindad seadme liikuvatest osadest eemal. Lotendavad riided, ehted ja pikad juuksed võivad sattuda seadme liikuvate osade vahele.
- ▶ **Kui elektrilise tööriista külge on võimalik paigaldada tolmuemaldus- ja kogumisseadiseid, veenduge, et need on tööriistaga ühendatud ja et neid kasutatakse nõuetekohaselt.** Tolmuemaldus-seadise kasutamine võib vähendada tolmuist tingitud ohte.
- ▶ **Ärge laske tekkida petlikul turvatundel ega eirake elektrilise tööriista ohutusreegleid isegi siis, kui olete pärast paljukordset kasutamist elektrilise tööriistaga harjunud.** Tähelepanematu käsitsemise võib sekundi mürdosa jooksul kaasa tuua raskeid vigastusi.

#### Elektrilise tööriista kasutamine ja käsitsemine

- ▶ **Ärge koormake seadet üle!** Kasutage konkreetseks tööks sobivat elektrilist tööriista. See töötab ettenähtud jõudluspiirides tõhusamalt ja ohutumalt.
- ▶ **Ärge kasutage elektrilist tööriista, mille lüliti on rikkis!** Elektriline tööriist, mida ei saa enam lülitiit korralikult sisse ja välja lülitada, on ohtlik ning tuleb viia parandusse.
- ▶ **Tõmmake enne seadme mis tahes seadetõid, tarvikute vahetamist ja seadme hoieüpanekut pistik pistikupesast välja ja/või eemaldage äravõetav aku.** See ettevaatusabinõu hoiab ära seadme soovimatu käivitumise.
- ▶ **Kasutusvälisel ajal hoidke elektrilist tööriista lastele kättesaamatus kohas. Ärge laske seadet kasutada isikutel, kes seadme tööpõhimõtet ei tunne või ei ole lugenud käesolevaid kasutusjuhendeid.** Asjatundmatute isikute käes on elektrilised tööriistad ohtlikud.
- ▶ **Hooldage elektrilisi tööriistu ja tarvikuid korralikult. Kontrollige, kas liikuvad osad töötavad veatult ega kiilu kiini.** Veenduge, et seadme osad ei ole murdunud või kahjustatud määral, mis mõjutab seadme töökindlust. Laske kahjustatud osad enne seadme kasutamist parandada. Ebapiisavalt hooldatud elektrilised tööriistad põhjustavad õnnetusi.
- ▶ **Hoidke lõiketarvikud teravad ja puhtad.** Hästi hooldatud, teravate lõikeservadega lõiketarvikud kiiluvad harvemini kinni ja neid on lihtsam juhtida.
- ▶ **Kasutage elektrilist tööriista, tarvikuid ja lisatarvikuid vastavalt nende juhiste.** Arvestage seejuures töötingimuste ja tehtava töö iseloomuga. Elektrilise tööriista kasutamine otstarbel, milleks see ei ole ette nähtud, võib põhjustada ohtlikke olukordi.
- ▶ **Käepidemed ja haardepinnad peavad olema kuivad, puhtad ning vabad õlist ja rasvast.** Libedad käepidemed ja haardepinnad ei võimalda elektrilist tööriista ootamatutes olukordades kindlalt käitseda ega kontrollida.

#### Akuga tööriista kasutamine ja käsitsemine

- ▶ **Laadige akusid ainult tootja soovitatud laadimisseadmega.** Kui teatud tüüpi aku laadimiseks ettenähtud laadimisseadet kasutatakse teist tüüpi akude laadimiseks, tekib tulekahjuoht.



- ▶ **Kasutage elektrilistes tööriistades ainult ettenähtud akusid.** Teist tüüpi akude kasutamine võib põhjustada vigastus- ja põlenguohtu.
- ▶ **Hoidke akud kasutusvälisel ajal eemal kirjaklambritest, müntidest, võtmetest, naeltest, kruvidest ja teistest väikestest metallesemetest, mis võivad aku kontaktid omavahel ühendada.** Aku kontaktide vahel tekkinud lühis võib põhjustada põletuse või tulekahju.
- ▶ **Väärkasutuse korral võib akuvedelik akust välja voolata. Vältige sellega kokkupuudet. Juhusliku kokkupuute korral loputage kahjustatud kohta veega. Kui vedelik satub silma, otsige ka arstiabi.** Väljavoolav akuvedelik võib põhjustada nahaärritust või põletust.
- ▶ **Ärge kasutage kahjustatud ega modifitseeritud akut!** Kahjustatud või modifitseeritud akud võivad käituda ettenägematult ja põhjustada tulekahju, plahvatuse või vigastusohtu.
- ▶ **Ärge laske akul kokku puutuda tule ega liiga kõrge temperatuuriga!** Tuli või temperatuur üle 130 °C (265 °F) võivad tekitada plahvatuse.
- ▶ **Järgige kõiki laadimisjuhiseid ja ärge kunagi laadige akut ega akutööriista väljaspool kasutusjuhendis näidatud temperatuurivahemikku.** Väär laadimine või laadimine väljaspool lubatud temperatuurivahemikku võib kahjustada akut ja suurendada tuleohtu.

#### Hooldus

- ▶ **Laske elektrilist tööriista parandada ainult kvalifitseeritud spetsialistidel, kes kasutavad originaalvaruosi.** Nii on tagatud elektrilise tööriista ohutu töö.
- ▶ **Ärge hooldage kahjustatud akut!** Akut võib hooldada ainult tootja või volitatud klienditeenindus.

## 2.2 Ohutusnõuded kõikide saagide kasutamisel

### Saagimismeetod

- ▶ **⚠ OHT: Ärge viige oma käsi saagimiskiirkonda ega vastu saeketast! Hoidke teise käega lisakäepidemest või mootorikorpusest.** Kui hoiate saagi kahe käega, ei saa saeketas teie käsi vigastada.
- ▶ **Ärge viige käsi tooriku alla!** Tooriku all ei saa kettakaitse teid saeketta eest kaitsta.
- ▶ **Valige tooriku paksusega sobiv lõike sügavus.** Tooriku alt tohib saeketast nähtavale jääda max ühe täishamba ulatuses.
- ▶ **Ärge kunagi hoidke saetatvat toorikut käes ega põlve peal! Kinnitage toorik stabiilsele aluspinnale.** Tooriku tugev kinnitamine on oluline, et vähendada kehaga kokkupuute, saeketta kinnikiilumise ja seadme üle kontrolli kaotuse ohtu.
- ▶ **Kui teete töid, mille puhul võib tarvik tabada varjatud elektrijuhtmeid, hoidke seadet ainult isoleeritud käepidemest.** Kontakt pingele all oleva elektrijuhtmega pingestab ka seadme metallosad ja tekitab elektrilöögi.
- ▶ **Kasutage pikilõigete tegemisel alati juhikut või sirget liistu.** See parandab lõiketäpsust ja vähendab saeketta kinnikiilumisohtu.
- ▶ **Kasutage alati õige suuruse ja sobiva (nt tähikukujulise või ümara) siseavaga saekettaid.** Sae osadega sobimatu saekettad pöörlevad ebaühtlaselt ja põhjustavad kontrolli kaotuse seadme üle.
- ▶ **Ärge kunagi kasutage kahjustatud või valesid saeketta alusseiba ega kruvisid!** Saeketta alusseibid ja kruvid on välja töötatud spetsiaalselt sae optimaalse võimsuse ja ohutuse tagamiseks.

### Tagasilöökk – põhjused ja asjaomased ohutusnõuded

- Tagasilöökk on kinnikiilunud või valesti seatud saekettast tingitud järsk reaktsioon, mispeale saag hüppab toorikust kontrollimatult välja ja liigub kasutaja suunas;
- kui saeketas jääb sulguvasse lõikejälge kinni, kiilub saeketas kinni ja mootori jõud paiskab sae kasutaja suunas;
- kui saeketas on lõikejäljes valesti välja rihitud, võivad saeketta tagumise serva hambad tooriku pinda kinni jääda, mispeale saeketas hüppab lõikejäljest välja ja saag paiskub kasutaja suunas.

Tagasilöökk on sae vale kasutamise tagajärg. Seda saab ära hoida, kui rakendada järgnevalt kirjeldatud sobivaid ettevaatusabinõusid.

- ▶ **Hoidke saagi alati kahe käega ja viige oma käed asendisse, milles saate tagasilöögile kõige paremini reageerida. Paiknege alati saeketta kõrval. Ärge olge kunagi saekettaga ühel joonel!** Tagasilöögi korral võib ketassaag tahapoole paiskuda. Sobivate meetmete rakendamisega suudab seadme kasutaja tagasilöögiõudu siiski valitseda.
- ▶ **Kui saeketas kinni kiilub või kui te töö katkestate, lülitage saag alati välja ja hoidke seda paigal, kuni saeketas on täielikult seiskunud. Ärge kunagi püüdke saagi toorikust eemaldada või tagasi tõmmata, kui saeketas veel pöörleb – võib tekkida tagasilöökk!** Tehke kindlaks ja kõrvaldage saeketta kinnikiilumise põhjus.



- ▶ **Kui tahate saagi, mille saeketas on toorikus, uuesti käivitada, tsentreerige saeketas lõikejäljes ja veenduge, et saehambad ei ole toorikusse haakunud.** Sae käivitamisel võib kinnikiilunud saeketas toorikust välja hüpata või tagasilöögi põhjustada.
- ▶ **Toestage suured plaadid, et vältida kinnikiilunud saekettast põhjustatud tagasilöögiohtu.** Suured plaadid võivad omaenda kaalu mõjul läbi painduda. Plaadid tuleb toetada mõlemalt poolt, nii lõikejälje juurest kui ka servast.
- ▶ **Ärge kasutage nürisid ega kahjustatud saekettaid!** Nüride või valesti rihitud hammastega saekettad tekitavad liiga kitsa lõikejälje, mis põhjustab suuremat hõõrdumist, saeketta kinnikiilumist ja tagasilööki.
- ▶ **Pingutage enne saagimist kinni lõikesügavuse ja lõikenurga regulaatorid.** Kui seaded saagimise ajal muutuvad, võib saeketas kinni kiiluda ja tekitada tagasilöögi.
- ▶ **Eriti ettevaatlik tuleb olla lõigete tegemisel seina või teistesse varjatud piirkondadesse.** Uputatav saeketas võib varjatud objektidesse kinni kiiluda ja põhjustada tagasilöögi.

## 2.3 Täiendavad ohutusnõuded

### Inimeste ohutus

- ▶ **Seadme modifitseerimine ja ümberkujundamine on keelatud.**
- ▶ **Hoidke seadet ettenähtud käepidemetest mõlema käega.** Käepidemed peavad olema kuivad, puhtad ja vabad õlist ning rasvast.
- ▶ **Kandke kuulmiskaitsevahendeid.** Müra võib kahjustada kuulmist.
- ▶ **Kui kasutate seadet ilma tolmuimejata, tuleb tolmutekitava töö korral kanda kergest tolumumaski.**
- ▶ **Kasutage seadet üksnes koos juurdekuuluvate kaitseseadistega.**
- ▶ **Tehke tööpause ja sörmeharjutusi, et parandada sõrmede verevarustust.**
- ▶ **Seade ei ole mõeldud füüsiliselt nõrkadele, väljaõppeta inimestele.**
- ▶ **Hoidke seadet lastele kättesaamatus kohas.**
- ▶ **Lülitage seade sisse alles töökohal.**
- ▶ **Seadme hoiulepanekul ja transportimisel eemaldage aku.**
- ▶ **Ärge töötage seadmega pea kohal.**
- ▶ **Ärge pidurdage seadet, avaldades saekettale külgsurvet.**
- ▶ **Lõikejoonel ei tohi olla takistusi.** Saagimisel vältige kokkupuudet kruvide, naelte ja teiste esemetega.
- ▶ **Ärge puudutage kinnitusflantsi ja pingutuskrui, kui seade töötab.**
- ▶ **Ärge kunagi vajutage spindlilukustusnupule, kui saeketas liigub.**
- ▶ **Ärge suunake seadet inimeste poole.**
- ▶ **Valige saeketta ja töödeldava materjaliga sobiv ettenihkejõud, et vältida saeketta kinnikiilumist ja tagasilöögi teket.**
- ▶ **Vältige saehammaste otste ülekuumenemist.**
- ▶ **Plasti saagimisel tuleb vältida plasti sulamist.**
- ▶ **Pliiisisaldusega värvide, teatavat liiki puidu, betooni/müüritise/kvartsisisaldusega kivi, mineraalide ja metalli tolm võib kahjustada tervist.** Kokkupuude tolmuaga või tolmu sissehingamine võib põhjustada kasutajal või läheduses viibijatel allergilise reaktsiooni ja/või hingamisteede haigusi. Teatav tolm (nt tamme- või pöögitolm) on kantserogeenne, eelkõige koosmõjus puidu töötlemise lisainetega (kromaat, puidukaitsevahendid). Asbesti sisaldavate materjalide töötlemine on lubatud vaid asjaomase kvalifikatsiooniga isikutel. **Võimaluse korral kasutage tolmuimejat. Tõhusa tolmuimealduse tagamiseks kasutage sobivat mobiilset tolmuimeajat.** Vajaduse korral kandke konkreetse tolmu jaoks sobivat kaitsemaski. Tagage tööpiirkonnas hea ventilatsioon. Järgige töödeldavate materjalide suhtes riigis kehtivaid eeskirju.
- ▶ **Enne töö algust tehke kindlaks töötamisel tekkiva tolmu ohuklass. Kasutage ettenähtud kaitseklassi kuuluvat ehitustolmuimeajat, mis vastab kehtivatele tolmukaitseõuetele.**
- ▶ **Järgige riigis kehtivaid tööohutusnõudeid.**

### Elektriohutus

- ▶ **Kontrollige tööpiirkonda enne töö alustamist metalliotsijaga, et tuvastada varjatud elektrijuhtmete, gaasi- või veetorude asukoht.** Pingestatud elektrijuhtme vigastamise korral võivad seadme välised metallosad sattuda pinge alla. See tekitab tõsise elektrilöögiohtu!

### Akude hoolikas käsitsemine ja kasutamine

- ▶ **Järgige liitiumioonakude veo, ladustamise ja käsitsemise suhtes kehtivaid erinõudeid.**
- ▶ **Kaitske akusid kõrgete temperatuuride ja tule eest.** Esineb plahvatusoht.
- ▶ **Akusid ei tohi lahti võtta, kokku muljuda, kuumutada üle 80°C (176°F) ega põletada.** Vastasel korral tekib põlengu-, plahvatus- ja söövitushoht.



- ▶ **Kahjustada saanud akusid (nt pragudega akud, küljestmurdunud osadega akud, kõverdunud akud, tagasi ja/või välja tõmmatud kontaktidega akud) ei tohi laadida ega kasutada.**
- ▶ **Ärge kasutage akusid muude elektritarvite varustamiseks toitega.**
- ▶ Kui aku on nii kuum, et seda ei saa puudutada, võib aku olla defektne. **Asetage aku nähtavasse tulekindlasse kohta, nii et see jääb süttivatest materjalidest piisavalt kaugele, ja laske akul jahtuda. Kui aku on jahtunud, pöörduge Hilti hooldekeskusse.**

#### 2.4 Täiendavad ohutusnõuded ketassaagide kasutamisel

- ▶ Viige käsiketassaag vastu toorikut üksnes siis, kui see on sisse lülitatud.
  - ▶ Lõikejoon peab pealt ja alt olema vaba takistustest. Saagimisel vältige kokkupuudet kruvide, naelte ja muude sarnaste esemetega.
- ▶ Ärge töötage ketassaaga pea kohal.
- ▶ Ärge pidurdage saeketast, avaldades sellele külgsurvet.
- ▶ Vältige saehammaste otste ülekuumenemist.
- ▶ Kasutage lõigatava pinna jaoks sobivat saeketast.
- ▶ Kasutage üksnes Hilti soovitatud saekettaid, mis vastavad standardile EN 847-1.

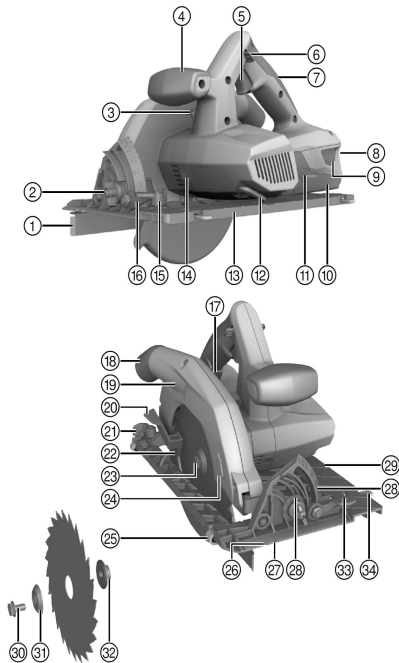
#### 2.5 Akude hoolikas käsitsemine ja kasutamine

- ▶ Järgige liitiumioonakude veo, ladustamise ja käsitemise suhtes kehtivaid erinõudeid.
- ▶ Kaitske akusid kõrgete temperatuuride, otsese päikesekiirguse ja tule eest.
- ▶ Akusid ei tohi lahti võtta, kokku muljuda, kuumutada üle 80°C (176°F) ega põletada.
- ▶ Ärge kasutage ega laadige akusid, mis on saanud löögi, kukkunud kõrgemalt kui üks meeter või muul viisil vigastada saanud. Võtke sellisel juhul alati ühendust **Hilti hooldekeskusega**.
- ▶ Kui aku on nii kuum, et seda ei saa puudutada, võib aku olla defektne. Asetage aku nähtavasse tulekindlasse kohta, mis on süttivatest materjalidest piisavaltkaugel. Laske akul jahtuda. Kui aku on ühe tunni pärast ikka veel liiga kuum, et seda puudutada saaks, siis on aku defektne. Võtke ühendust **Hilti hooldekeskusega**.



### 3 Kirjeldus

#### 3.1 Toote ülevaade 1



- ① Ühehaaraline paralleeljuhk
- ② Lõikenurga eelseadistus (22,5°, 45°, 50°)
- ③ Spindlilukustusnupp
- ④ Lisakäepide
- ⑤ Toitelüliti
- ⑥ Sisselülitustõks
- ⑦ Käepide
- ⑧ Laetuse astme ja veanäit (liitumioonaku)
- ⑨ Vabastusklahvid koos lisafunktsiooniga laetuse astme näidu aktiveerimiseks
- ⑩ Aku
- ⑪ Lukustushoob lõikesügavuse reguleerimiseks
- ⑫ Sisekuuskantvõti
- ⑬ Väike alustald
- ⑭ LED-tuli
- ⑮ Paralleeljuhiku lukustushoob ees
- ⑯ Lukustushoob lõikenurga reguleerimiseks
- ⑰ Lõikesügavuse skaala
- ⑱ Liitmik (laastukanal)
- ⑲ Kettakaits
- ⑳ Pendelkettakaitsme juhthoob
- ㉑ Paralleeljuhiku lukustushoob taga (ainult suurele alustallale)
- ㉒ Pendelkettakaits
- ㉓ Ajamispindel
- ㉔ Pöörlemissuuna nool
- ㉕ Kahehaaraline paralleeljuhk
- ㉖ Lõikemärgis 0°
- ㉗ Lõikemärgis 45°
- ㉘ Lõikenurga skaala
- ㉙ Suur alustald
- ㉚ Pingutuskrugi
- ㉛ Kinnitusflants
- ㉜ Alusflants
- ㉝ Soonemärgis 0° alustald
- ㉞ Soonemärgis 1° - 50° alustald

#### 3.2 Juhtsiiniadapter 2

- ㉟ Tagumised kandurid
- ㊱ Eesmine kandur
- ㊲ Soonemärgis 0°
- ㊳ Soonemärgis 1° - 50°

#### 3.3 Sihipärane kasutamine

Kirjeldatud toode on akutoitega ketassaag. See on ette nähtud puidu ja puidusarnaste materjalide, plasti, kipskartongi, kipskiudplaatide ja liitmaterjalide saagimiseks.

Käsiketassaag on tolmu eemaldamiseks varustatud mahavõetava tolmuimejaliitmikuga, mis sobib kõikide standardsete tolmuimejatega. Vajaduse korral tuleb tolmuimejavooliku ühendamiseks saega kasutada sobivat adapterit.

- ▶ Kasutada ei tohi saekettaid, mis ei vasta toodud tehnilistele andmetele (nt läbimõõt, pöörete arv, paksus), lõike- ja lihvkettaid ning kõrglegeeritud kiirlõiketerasest (HSS-teras) saekettaid. Metallide saagimine on keelatud.
- ▶ Ärge kasutage seadet okste saagimiseks ja puude langetamiseks.



- ▶ Kasutage selle toote jaoks ainult B 22 tüüpi **Hilti** liitiumioonakusid.
- ▶ Nende akude laadimiseks kasutage ainult C4/36 seeria **Hilti** laadimisseadmeid.

### 3.4 LI-Ion-aku näidik

Li-Ion-aku laetuse astet ja seadme häireid signaliseeritakse Li-Ion-aku näidiku kaudu. Li-Ion-aku laetuse astet kuvatakse, kui vajutada aku ühele vabastusnupule.

Seisund	Tähendus
4 LED-tuld põlevad.	Laetuse aste: 75% kuni 100%
3 LED-tuld põlevad.	Laetuse aste: 50% kuni 75%
2 LED-tuld põlevad.	Laetuse aste: 25% kuni 50%
1 LED-tuli põleb.	Laetuse aste: 10% kuni 25%
1 LED-tuli vilgub, seade on töövalmis.	Laetuse aste: < 10%
1 LED-tuli vilgub, seade ei ole töövalmis.	Aku on üle kuumenenud või täielikult tühjenenud.
4 LED-tuld vilguvad, seade ei ole töövalmis.	Seade on üle koormatud või üle kuumenenud.

Aku laetuse astet saab lugeda ajal, mil juhtüliti on alla vajutatud ja kuni 5 s vältel pärast juhtüliti vabastamist.

Kui aku laetuse astme näidiku LED-tuled vilguvad, tegutsege vastavalt punktis „Abi tõrgete puhul“ toodud juhiste.

### 3.5 paralleeljuhik

Ühehaaraline paralleeljuhik võimaldab teha täpseid lõikeid piki tooriku serva ja lõigata ühesuguste mõõtudega liiste.

paralleeljuhik võib kinnitada alustalla mõlemale küljele.

### 3.6 Tarnekomplekt

Ketassaag, saeketas, sisekuuskantvõti, paralleeljuhik, tolmuemaldusliitmik, kasutusjuhend, (valikus juhtsiinadapter)

Teie tootega sobivad ja meie poolt heakskiidetud varuosad, materjalid ja tarvikud leiate kauplusest **Hilti Store** või veebilehelt: [www.hilti.group](http://www.hilti.group).

### 3.7 Lisatarvikud

Kinnitusflants, alusflants, pingutuskruvi.

## 4 Tehnilised andmed

### 4.1 Ketassaag

	SC 70W-A22
Nimipinge	21,6 V
Kaal vastavalt menetlusele EPTA-Procedure 01	4,8 kg
Saeketta ettenähtud läbimõõt	190 mm
Ketta paksus	0,7 mm ... 1,5 mm
Lõikelaius	1,5 mm ... 2 mm
Saeketta siseava läbimõõt	30 mm
Nimipöörded tühikäigul	3 500 p/min
Maksimaalne lõikesügavus 0°	70 mm
Maksimaalne lõikesügavus 45°	51 mm
Maksimaalne lõikesügavus 50°	45 mm
Kaldlõikenurk	0° ... 50°





	<b>SC 70W-A22</b>
<b>Töötemperatuur</b>	-10 °C ... 50 °C
<b>Hoiutemperatuur (ilma akuta)</b>	-30 °C ... 70 °C

## 4.2 Aku

<b>Aku tööpinge</b>	21,6 V
<b>Ümbritseva keskkonna temperatuur töötamise ajal</b>	-17 °C ... 60 °C
<b>Hoiutemperatuur</b>	-20 °C ... 40 °C
<b>Aku temperatuur laadimise alguses</b>	-10 °C ... 45 °C

## 4.3 Andmed müra ja vibratsiooni kohta kindlaks tehtud kooskõlas standardiga 62841

Selles kasutusjuhendis nimetatud helirõhu- ja vibratsioonitase on mõõdetud standarditult mõõtemeetodil ning asjaomaseid näitajaid saab kasutada elektritööriistade võrdlemiseks. Need sobivad ka müra- ja vibratsioonitase esialgseks hindamiseks. Nimetatud näitajad on iseloomulikud elektritööriista puhul, mida kasutatakse põhilisteks ettenähtud töödeks. Kui aga elektritööriista kasutatakse muul otstarbel, teiste tarvikutega või kui seda on ebapiisavalt hooldatud, võivad näitajad selles juhendis nimetatud näitajatest kõrvale kalduda. See võib vibratsiooni- ja müratasest kogu tööajal tunduvalt suurendada. Et müra- ja vibratsioonitaset täpselt hinnata, tuleb arvesse võtta ka aega, mil tööriist on olnud välja lülitatud või küll sisse lülitatud, kuid tegelikult tööle rakendamata. See võib vibratsiooni- ja müratasest kogu tööajal tunduvalt vähendada. Et kaitsta seadme kasutajat müra ja/või vibratsiooni toime eest, rakendage täiendavaid kaitseabinõusid, näiteks: hooldage seadmeid ja tarvikuid korralikult, hoidke käed soojad, tagage sujuv töökorraldus.

### Müratase mõõdetud vastavalt standardile EN 62841

	<b>SC 70W-A22</b>
<b>Helivõimsustase (<math>L_{WA}</math>)</b>	103 dB(A)
<b>Helivõimsustase mõõtemääramatus (<math>K_{WA}</math>)</b>	3 dB(A)
<b>Helirõhutase (<math>L_{pA}</math>)</b>	92 dB(A)
<b>Helirõhutase mõõtemääramatus (<math>K_{pA}</math>)</b>	3 dB(A)

### Vibratsiooni kogutase (kolme suuna vektorsumma), määratud vastavalt EN 62841

	<b>SC 70W-A22</b>
<b>Vibratsioonitase puidu saagimisel (<math>A_{h, w}</math>)</b>	0,93 m/s <sup>2</sup>
<b>Mõõtemääramatus (K)</b>	1,5 m/s <sup>2</sup>

## 5 Käsitsemine

### 5.1 Töö ettevalmistamine

#### 5.1.1 Aku laadimine

1. Enne laadimist lugege laadimiseadme kasutusjuhendit.
2. Veenduge, et aku ja laadimiseadme kontaktid on puhtad ja kuivad.
3. Laadige akut selleks ettenähtud laadimiseadmega. 217

#### 5.1.2 Aku paigaldamine

### HOIATUS

#### Vigastuste oht lühise või allakukkunud aku tõttu!

- ▶ Enne aku paigaldamist veenduge, et aku ja seadme kontaktidel ei ole võõrkehaseid.
- ▶ Veenduge, et aku fikseerub alati korrektselt kohale.

1. Enne esmakordset kasutamist laadige aku täiesti täis.
2. Lükake aku seadmesse, kuni see kuuldavalt kohale fikseerub.
3. Kontrollige aku kindlat kinnitumist.



### 5.1.3 Aku eemaldamine

1. Vajutage aku vabastusnuppudele.
2. Tõmmake aku seadmest välja.

### 5.1.4 Saeketta mahavõtmine 3

#### HOIATUS

**Põletus- ja lõikevigastuste oht kokkupuutumisel saeketta, kinnituskrui vi ja kinnitusflantsiga** Tagajärgedeks võivad olla põletused ja lõikehaavad.

- ▶ Tarviku vahetamisel kandke kaitsekindaid.

1. Eemaldage aku.
2. Asetage sisekuuskantvõti saeketta pingutuskruiile.
3. Vajutage spindlilukustusnupp alla ja hoidke seda selles asendis.
4. Keerake sisekuuskantvõtmega saeketta pingutuskrui seni, kuni lukustusnupp täielikult kinni fikseerub.
5. Vabastage pingutuskrui, keerates sisekuuskantvõtit edasi pöörlemissuuna noole suunas.
6. Võtke pingutuskrui ja välimine kinnitusflants maha.
7. Tõmmake pendelkettakaitse eemale ja võtke saeketas maha.



Vajaduse korral võib alusflantsi puhastamiseks eemaldada.

### 5.1.5 Saeketta paigaldamine 4

#### ETTEVAATUST

**Vigastuste oht!** Ebasobivad või valesti paigaldatud saekettad võivad saagi kahjustada.

- ▶ Kasutage üksnes selliseid saekettaid, mis selle sae jaoks sobivad. Pöörake tähelepanu saekettal olevale pöörlemissuuna noolele.
- ▶ Kasutage üksnes selliseid saekettaid, mille pöörete arv on vähemalt sama suur nagu tootel märgitud maksimaalpöörded.



**Veenduge, et kinnitatav saeketas vastab tehnilistele nõuetele ja on hästi teritatud.** Terav saeketas on laitmatu lõike eeldus.

1. Eemaldage aku.
2. Puhastage alus- ja kinnitusflants.
3. Asetage alusflants korrektselt spindliile.
4. Avage pendelkettakaitse.
5. Paigaldage uus saeketas.
6. Asetage õiges asendis kohale välimine kinnitusflants.
7. Asetage kohale pingutuskrui.
8. Asetage sisekuuskantvõti saeketta pingutuskruiile.
9. Vajutage spindlilukustusnuppudele.
10. Kinnitage kinnitusflants pingutuskruiaga, keerates sisekuuskantvõtit pöörlemissuuna noolele vastupidises suunas.
  - ▶ Spindlilukustusnupp fikseerub kohale.
11. Enne töölerakendamist kontrollige saeketta kindlat kinnitumist.

### 5.1.6 Lõikesügavuse reguleerimine 5

1. Eemaldage aku.
2. Vabastage lõikesügavuse reguleerimise lukustushoob.
3. Tõstke seade käärrikujulise liigutusega üles ja reguleerige välja lõikesügavus, selleks pingutage lukustushoob kinni.



Väljareguleeritud lõikesügavus peaks olema saetava materjali paksusest alati 5 kuni 10 mm võrra suurem.

Kettakaitse tagaküljele kantud skaalalt ja osutilt saab lugeda seatud sügavust.



### 5.1.7 Lõikenurga reguleerimine

1. Eemaldage aku.
2. Vabastage lõikesügavuse reguleerimise lukustushoob.
3. Keerake seade soovitud asendisse.



Lõikenurga eelseadistus võimaldab lihtsalt välja reguleerida maksimumnurki 22,5° / 45° / 50°

4. Pingutage lõikesügavuse reguleerimise lukustushoob kinni.

### 5.1.8 Saagimine kontuuri järgi



Ketassae eesmisel alustallal asub nii sirglõigete kui ka kaldlõigete tegemiseks kontuurinäidik (0° ja 45°). See tagab olenevalt valitud lõikenurgast täpse lõike. Kontuuri serv vastab saeketta siseküljele. Kontuurinäidik asub saeketta jaoks ettenähtud eesmise ava juures.



Kinnitage toorik nii, et see ei nihku paigast.

Asetage toorik nii, et saeketas tooriku all vabalt liigub.

Veenduge, et seade on lülitist (sisse/välja) välja lülitatud.

Asetage seadme alustald toorikule nii, et saeketas ei puutu veel toorikuga kokku.

1. Paigaldage aku.
2. Lülitage seade sisse, selleks vajutage sisselülitatud sisselülitustökise puhul lülitile (sisse/välja).
3. Juhtige seadet sobiva kiirusega piki kontuuri läbi tooriku.

### 5.1.9 Paralleeljuhiku paigaldamine/reguleerimine

1. Eemaldage aku.
2. Keerake kinnituskrugi alustalda vaid niipalju, et jääb piisavalt ruumi paralleeljuhiku läbilükkamiseks.
3. Lükake paralleeljuhiku ots kinnituskrugi alla.
4. Reguleerige välja soovitud lõikelaius.
5. Keerake kinnituskrugi kinni.



Paralleeljuhikut (ühehaaralist/kahehaaralist) võib kinnitada alustalla mõlemale küljele. Kahehaaralist paralleeljuhikut saab kasutada ainult suure alustalla korral

Paralleeljuhik võimaldab teha täpseid lõikeid piki tooriku serva ja lõigata ühesuguste mõõtudega liiste.

### 5.1.10 Juhtsiini adapteri paigaldamine



Saagi saab varustada lisatarvikuna saadaoleva juhtsiini adapteriga.

Väikese alustallaga saagimisel kasutage juhtsiiniga sobivat juhtsiiniadapterit.

1. Eemaldage aku.
2. Eemaldage paralleeljuhik, kui see on paigaldatud.
3. Viige alustald juhtsiini adapteri külgmistesse kandejuhikutesse.
4. Asetage alustald juhtsiini adapterisse täielikult sisse.
5. Lukustage juhtsiini adapter, surudes mõlemad klapid lõpuni sisse.

## 5.2 Töö

### 5.2.1 Sisselülitamine

- ▶ Lülitage seade sisse, selleks vajutage sisselülitatud sisselülitustökise puhul lülitile (sisse/välja).

### 5.2.2 Väljalülitamine

- ▶ Seisake seade, lastes sisse-välja-lülitist lahti.

### 5.2.3 Pikilõiked 0° juures

1. Asetage ketassaag soonemärgise "0°" juhtsiini kandurile.
2. Lülitage seade sisse, selleks vajutage sisselülitatud sisselülitustökise puhul lülitile (sisse/välja).



3. Juhtige seade sobiva kiirusega piki siini läbi tooriku.

#### 5.2.4 Pikilõiked kuni 50° nurga all **11**

1. Reguleerige nurk välja.

#### **⚠** HOIATUS

**Kokkupuute oht kaldlõike tegemisel!** Saeketta kokkupuude juhtsiiniga.

▶ Asetage saag õige soonega juhtsiinile. Vastasel korral puudutab saeketas juhtsiini.

2. Asetage saag soonemärgisega "1°-50°" juhtsiini kandurile.

3. Lülitage seade sisse, selleks vajutage sisselülitatud sisselülitustökise puhul lülile (sisse/välja).

4. Juhtige seade sobiva kiirusega piki siini läbi tooriku.

#### 5.2.5 Tasapinnaliste nurgalõigete tegemine **12**

1. Asetage juhtsiin nullpunktiga tooriku servale ja keerake siini seni, kuni soovitud nurk nurgaskaalal on nullpunktiga kohakuti. Lõikenurk näitab nurka, mille võrra lõige sirgest täisnurksest lõikest kõrvale kaldub.

2. Fikseerige juhtsiin kahe pitskruga.

3. Asetage ketassaag soonemärgise "0°" juhtsiini kandurile.

4. Lülitage seade sisse, selleks vajutage sisselülitatud sisselülitustökise puhul lülile (sisse/välja).

5. Juhtige seade sobiva kiirusega piki siini läbi tooriku.

#### 5.2.6 Saagimine laastueemaldust kasutamata

1. Veenduge, et laastude väljaviskeava on vaba.

2. Vajaduse korral saab liitmiku pärast sisekuuskantkrui avamist seadme tarnekomplekti kuuluva sisekuuskantvõtmega kettakaitsme küljest maha võtta.

## 6 Hooldus ja korrashoid

#### **⚠** HOIATUS

**Vigastuste oht paigaldatud aku korral!**

▶ Enne mis tahes hooldus- ja korrashoiutöid eemaldage seadmist aku!

#### Toote hooldus

- Eemaldage kõvast kinni olev mustus ettevaatlikult.
- Puhastage ventilatsiooniavasid ettevaatlikult kuiva, pehme harjaga.
- Puhastage korpust ainult veidi niiske lapiga. Ärge kasutage silikooni sisaldavaid hooldusvahendeid, sest need võivad kahjustada seadme plastdetaile.
- Seadme kontaktide puhastamiseks kasutage puhast kuiva lappi.

#### Liitium-ioonakude hooldus

- Ärge kunagi kasutage akut, mille ventilatsiooniavad on ummistunud. Puhastage ventilatsiooniavasid ettevaatlikult kuiva, pehme harjaga.
- Kaitske akut tolmu ja mustuse eest. Ärge jätke akut kunagi suure niiskuse kätte (ärge asetage seda vette ja ärge jätke vihma kätte).  
Kui aku on märjaks saanud, siis käsitlege seda nii, nagu oleks see kahjustatud. Isoleerige aku tulekindlas anumast ja pöörduge **Hilti** hooldekeskusesse.
- Hoidke aku puhas õlist ja rasvast. Vältige akusse asjatult tolmu ja mustuse kogunemist. Puhastage akut kuiva pehme harjaga või puhta kuiva lapiga. Ärge kasutage silikooni sisaldavaid hooldusvahendeid, sest need võivad kahjustada seadme plastdetaile.  
Ärge puudutage aku kontakte ja ärge eemaldage kontaktidelt tehases peale kantud mäaret.
- Puhastage korpust ainult veidi niiske lapiga. Ärge kasutage silikooni sisaldavaid hooldusvahendeid, sest need võivad kahjustada seadme plastdetaile.

#### Tehnohooldus

#### **⚠** HOIATUS

**Elektrilöögi oht!** Elektridetailide asjatundmatu parandamine võib kaasa tuua raskeid vigastusi ja põletusi.

▶ Elektridetailide tohivad parandada ainult elektriala asjatundjad.

- Kontrollige regulaarselt, kas kõik nähtavad osad on terved ja juhtelemendid töötavad veatult.
- Ärge kasutage seadet kahjustuste ja/või tõrgete korral. Laske seade kohe parandada **Hilti** hooldekeskuses.



- Pärast hooldus- ja korrashoiutöid paigaldage kõik kaitseseadised ja kontrollige, kas need töötavad veatult.



Ohutu töö tagamiseks kasutage ainult originaalvaruosi, -materjale ja lisatarvikuid. **Hilti** heakskiidetud varuosad, materjalid ja lisatarvikud oma tootele leiute müügiesindusest **Hilti Store** või veebilehelt: [www.hilti.group](http://www.hilti.group)

### 6.1 Kaitseseadise puhastamine

1. Kaitseseadise puhastamiseks eemaldage saeketas.
2. Puhastage kaitseseadist ettevaatlikult kuiva harjaga.
3. Eemaldage kaitseseadises olev mustus ja tolm sobiva tööriista abil.
4. Paigaldage saeketas.

### 6.2 Toimimine ummistunud laastukanali puhul

1. Eemaldage aku.
2. Puhastage laastukanal.



Vajaduse korral tuleb saeketas maha võtta. 220

3. Veenduge, et seadme liikuvad osad töötavad veatult ega kiilu kinni ning et seadme osad ei ole murdunud ega kahjustatud määral, mis võiks mõjutada seadme töökindlust.

### 6.3 Seadme kontrollimine pärast hooldus- ja korrashoiutöid



Pärast hooldus- ja korrashoiuhooldustööde tegemist veenduge, et kõik kaitseseadised on paigaldatud ja et need toimivad veatult.

- ▶ Pendelkettakaitse kontrollimiseks avage see täielikult, selleks vajutage juhthoovale.
  - ▶ Pärast juhthoova vabastamist peab pendelkettakaitse kiiresti ja täielikult sulguma.

## 7 Transport ja hoiustamine

### Akuga tööriistade ja akude transport



#### ETTEVAATUST

#### Soojumatu käivitumine transportimisel !

- ▶ Transportige tooteid ilma akudeta!
- ▶ Eemaldage aku/akud.
- ▶ Ärge kunagi transportige akusid lahtiselt. Enne aku transportimist tuleb aku pakendada nii, et see oleks kaitstud löökide ja vibratsiooni eest ning isoleeritud kõikidest elektrit juhtivatest materjalidest või teistest akudest, et vältida kokkupuudet teise aku poolustega ning lühise teket. **Järgige akude transpordi suhtes kehtivaid riigiseseid nõudeid.**
- ▶ Akusid ei tohi saata posti teel. Kahjustamata akude saatmiseks pöörduge logistikaettevõtja poole.
- ▶ Iga kord enne kasutamist ning enne ja pärast pikemat transporti või hoiustamist kontrollige seadet ja akusid vigastuste suhtes.

### Akuga tööriistade ja akude hoiustamine



#### HOIATUS

#### Defektseid akud või lekkivad akud võivad tekitada vigastusi !

- ▶ Kasutusvälisel ajal eemaldage seadmest aku!
- ▶ Hoidke seadet ja akusid jahedas ja kuivas kohas. Pidage kinni tehnilistes andmetes toodud temperatuuripiirangutest.
- ▶ Ärge hoidke akusid laadimisseadmest. Pärast laadimist eemaldage aku laadimisseadmest.
- ▶ Ärge hoidke akusid päikese käes, radiaatori peal või klaasi taga.
- ▶ Hoidke seadet ja akusid lastele ja kõrvalistele isikutele ligipääsmatus kohas.
- ▶ Iga kord enne kasutamist ning enne ja pärast pikemaajalist seismist kontrollige seadet ja akusid kahjustuste suhtes.



## 8 Rikkeabi

- Tõrgete esinemisel, mida selles tabelis ei nimetata või mida Te ei suuda ise kõrvaldada, pöörduge **Hilti** hooldekeskusse.

### 8.1 Ketassaag ei ole töövalmis

Tõrge	Võimalik põhjus	Lahendus
LED-tuled ei tööta.	Aku ei ole täielikult sisse pandud.	► Paigaldage aku.
	Aku on tühi.	► Laadige akut.
	Aku on liiga kuum või liiga külm.	► Laske akul soojeneda/jahutada sobivale temperatuurile.
1 LED-tuli vilgub.	Aku on tühi.	► Laadige akut.
	Aku on liiga kuum või liiga külm.	► Laske akul soojeneda/jahutada sobivale temperatuurile.
4 LED-tuld vilguvad.	Ketassaele on lühiajaliselt avaldunud ülekoormus.	► Vabastage toitelüliti ja vajutage sellele uuesti.
	Ülekuumenemiskaitse.	► Laske ketassael jahtuda ja puhastage ventilatsioonivad.

### 8.2 Ketassaag on töövalmis

Tõrge	Võimalik põhjus	Lahendus
Lüliti (sisse/välja) ei saa sisse vajutada / lüliti (sisse/välja) on kinni kiilunud.	Tegemist ei ole veaga (ohutusfunktsioon).	► Vajutage sisselülitustõkisele.
Pöõrete arv väheneb järsku tugevasti.	Aku on tühi. Ettenihkejõud on liiga suur.	► Laadige akut. ► Vähendage ettenihkejõudu ja lülitage seade uuesti sisse.
Laaste ei suunata laastukogurisse ja need kukuvad alustalale.	Laastukogur on täis.	► Tühjendage laastukogur.
	Laastukanal on ummistunud.	► Puhastage laastukanal. 223
Saeketas jääb seisma.	Ettenihkejõud on liiga suur.	► Vähendage ettenihkejõudu ja lülitage seade uuesti sisse.
Aku tühjeneb tavalisest kiiremini.	Aku seisund ei ole optimaalne.	► Vahetage aku välja.
Aku ei fikseeru kuuldava toltklõpsuga kohale.	Aku lukustusmehhanism on määratud.	► Puhastage fiksaatorid ja laske akul kohale fikseeruda. Kui probleem ei kao, pöörduge <b>Hilti</b> hooldekeskusse.
Ketassaag või aku läheb väga kuumaks.	Elektriline rike	► Lülitage ketassaag kohe välja. Eemaldage aku ja ärge jätke seda järelevalveta. Laske akul jahtuda. Pöörduge <b>Hilti</b> hooldekeskusse.
	Seade on üle koormatud (seadme jõudluspiirid on ületatud).	► Valige konkreetseks tööks sobiv seade.
Saag vibreerib tugevasti	Saeketas on valesti paigaldatud	► Paigaldage saeketas õigesti. 220



## 9 Utiliseerimine

### HOIATUS

**Valest käitlemisest tingitud vigastuste oht!** Eralduvad gaasid või vedelikud on terviseohtlikud.

- ▶ Ärge saatke kahjustada saanud akusid posti teel!
- ▶ Lühise vältimiseks katke akukontaktid elektrit mittejuhtiva materjaliga.
- ▶ Käidelge akusid nii, et need ei satu laste kätte.
- ▶ Utiliseerige aku **Hilti Store** esinduses või pöörduge asjaomase jäätmekäitlusettevõtte poole.

Enamik **Hilti** seadmete valmistamisel kasutatud materjalidest on taaskasutatavad. Taaskasutuse eelduseks on materjalide korralik sorteerimine. Paljudes riikides kogub **Hilti** kasutusressursi ammendanud seadmed kokku. Lisateavet saate **Hilti** müügiesindusest.



- ▶ Ärge visake kasutusressursi ammendanud elektrilisi tööriistu, elektroonikaseadmeid ja akusid olmejäätmete hulka!

## 10 RoHS (direktiiv ohtlike ainete kasutamise piirangute kohta)

Järgmiselt lingilt leiate ohtlike ainete tabeli: [qr.hilti.com/r2937785](http://qr.hilti.com/r2937785).

RoHS-tabeli juurde viiva lingi leiate käesoleva dokumendi lõpust QR-koodina.

## 11 Tootja garantii

- ▶ Garantiitingimusi puudutavates küsimustes pöörduge oma kohaliku **Hilti** partneri poole.

## Түпнұсқа пайдалану бойынша нұсқаулық

### 1 Пайдалану бойынша нұсқаулық туралы мәліметтер

#### 1.1 Бұл құжаттама туралы



**Импорттауыш және өндірушінің өкілетті ұйымы**

- (RU) Ресей Федерациясы  
"Хилти Дистрибьюшн ЛТД" АҚ, 141402, Мәскеу облысы, Химки қ., Ленинградская к-сі, 25-бет, 15.26-құрылымы
- (BY) Беларусь Республикасы  
"Хилти БиУай" ЖШС, 222750, Минск облысы, Дзержин ауданы, Р-1, 18 км, 2 (Слободка ауылының жанында), 1-34 құрылымы
- (KZ) Қазақстан Республикасы  
"Хилти Қазақстан" ЖШС, 050057, Алматы қ., Бостандық ауданы, Тимирязев к-сі, 42/15 үй, литер 012 (15 корпус)
- (KG) Қырғыз Республикасы  
"Т AND Т" ЖШҚ, 720021, Қырғызстан, Бішкек қ., Ибраимов көш., 29 А үйі
- (AM) Армения Республикасы  
"ЭЙЧ-КОН" ЖШҚ, 0070, Ереван қ., Ерманда Кочар к-сі, 19/28

Өндірілген елі: жабдықтағы белгілеу тақтайшасын қараңыз.

Өндірілген күні: жабдықтағы белгілеу тақтайшасын қараңыз.

Тиісті сертификатты мына мекенжай бойынша табуға болады: [www.hilti.ru](http://www.hilti.ru)

Сақтау, тасымалдау және пайдалану шарттарына пайдалану бойынша нұсқаулықта белгіленгеннен басқа арнайы талаптар қойылмайды.

Өнімнің қызмет ету мерзімі 5 жыл.

- Іске қосу алдында осы пайдалану бойынша нұсқаулықты оқып шығыңыз. Бұл қауіпсіз жұмыс пен ақаусыз басқару үшін алғышарт болып табылады.



- Осы пайдалану бойынша нұсқаулықтағы және өнімдегі қауіпсіздік және ескерту нұсқауларын орындаңыз.
- Пайдалану бойынша нұсқаулықты әрдайым өнімде сақтаңыз және өнімді басқа тұлғаларға тек осы пайдалану бойынша нұсқаулықпен бірге тапсырыңыз.

## 1.2 Шартты белгілердің анықтамасы

### 1.2.1 Ескерту

Ескертулер өнімді қолдану барысындағы қауіптер туралы ескертеді. Төмендегі сигналдық сөздер пайдаланылады:

#### **ҚАУІПТІ**

##### **ҚАУІПТІ !**

- ▶ Ауыр жарақаттарға әкелетін немесе өмірге қауіп төндіретін тікелей қауіпті жағдайдың жалпы белгіленуі.

#### **ЕСКЕРТУ**

##### **ЕСКЕРТУ !**

- ▶ Ауыр жарақаттарға әкелуі немесе өмірге қауіп төндіруі мүмкін ықтимал қауіпті жағдайдың жалпы белгіленуі.

#### **АБАЙЛАҢЫЗ**

##### **АБАЙЛАҢЫЗ !**

- ▶ Жарақат алуға немесе мүліктің зақымдалуына әкелуі мүмкін ықтимал қауіпті жағдайдың жалпы белгіленуі.

### 1.2.2 Пайдалану бойынша нұсқаулықтағы белгілер

Бұл пайдалану бойынша нұсқаулықта төмендегі белгілер пайдаланылады:

	Пайдалану бойынша нұсқаулықты ұстану
	Аспапты пайдалану бойынша нұсқаулар және басқа пайдалы ақпарат
	Қайта пайдалануға болатын материалдармен жұмыс істеу
	Электр аспаптарды және аккумуляторларды тұрмыстық қоқысқа тастамаңыз
	<b>Hilti</b> Li-Ion аккумуляторы
	<b>Hilti</b> зарядтағыш құрылғысы

### 1.2.3 Суреттердегі белгілер

Суреттерде төмендегі белгілер қолданылады:

	Бұл сандар осы пайдалану бойынша нұсқаулықтың басындағы тиісті суретке сәйкес келеді.
3	Суреттердегі нөмірлер маңызды жұмыс кезеңдерін немесе жұмыс кезеңдері үшін маңызды құрамдас бөлшектерді көрсетеді. Мәтінде бұл жұмыс кезеңдері немесе құрамдас бөлшектері сәйкес сандармен ерекшеленеді, мысалы, (3).
	Позиция нөмірлері <b>Шолу</b> суретінде қолданылады және <b>Өнімге шолу</b> мақаласындағы шартты белгілердің нөмірлеріне сілтейді.
	Аталмыш белгілер өнімді қолдану барысында айрықша назарыңызды аудартады.

## 1.3 Өнімге қатысты белгілер

### 1.3.1 Таңбалар

Өнімде төмендегі белгілер пайдаланылуы мүмкін:





$n_0$	Жүктемесіз номиналды айналу жиілігі
==	Тұрақты ток
RPM	Айналым/минут
$\varnothing$	Диаметр
	Ара төсемі
	Өнім iOS және Android платформаларымен үйлесімді сымсыз дерек тасымалдау мүмкіндігіне қолдау көрсетеді.
Li-Ion	Литий-иондық аккумулятор
	Пайдаланылған Hilti литий-ион аккумуляторларының сериясы. <b>Қолдану мақсаты</b> бөліміндеі нұсқауларды орындаңыз.
	Аккумуляторды еш жағдайда соқпа құрал ретінде пайдаланбаңыз.
	Аккумуляторды құлатып жібермеңіз. Соққы тиген немесе басқа жолмен зақымдалған аккумуляторды пайдаланбаңыз.

#### 1.4 Өнім туралы ақпарат

**HILTI** өнімдері кәсіби пайдаланушыларға арналған және оларды тек қана өкілетті, білікті қызметкерлер пайдалануы, күтім және техникалық қызмет көрсетуі тиіс. Қызметкерлер қауіпсіздік техникасы бойынша арнайы нұсқау алуы керек. Өнім мен оның қосалқы құралдарын басқа мақсатта қолдану немесе олардың оқытылмаған қызметкерлердің таралынылуы қауіпті.

Түр сипаттамасы мен сериялық нөмір фирмалық тақтайшада берілген.

- Сериялық нөмірді төмендегі кестеге көшіріп қойыңыз. Өнім туралы мәліметтерді өкілдігімізге немесе қызмет көрсету бөлімімізге сұрау беру арқылы алуға болады.

##### Өнім туралы мәліметтер

Циркулярлық ара	SC 70W-A22
Буын	01
Сериялық нөмір	

#### 1.5 Сәйкестілік декларациясы

Біз осы нұсқаулықта сипатталған өнімнің қолданыстағы директивалар мен нормативтерге сәйкес келетінін толық жауапкершілікпен жариялаймыз. Сәйкестілік декларациясының суреті осы құжаттаманың соңында орналасқан.

Техникалық құжаттама мына жерде сақталған:

Hilti Entwicklungsgesellschaft mbH | Zulassung Geräte | Hiltistraße 6 | 86916 Kaufering, DE

## 2 Қауіпсіздік

### 2.1 Электр құралдары үшін қауіпсіздік техникасы бойынша жалпы нұсқаулар

**⚠ ЕСКЕРТУ** Бұл электр құралына арналған барлық қауіпсіздік нұсқауларын, нұсқауларды, суреттерді және техникалық деректерді оқып шығыңыз. Төменде берілген нұсқауларды орындамау электр тогының соғуына, өртке әкелуі мүмкін және/немесе ауыр жарақаттарды тудыруы мүмкін.

**Қауіпсіздік техникасы бойынша барлық нұсқауларды және нұсқауларды келесі пайдаланушы үшін сақтаңыз.**

Қауіпсіздік нұсқауларында қолданылатын «электр құралы» термині электр желісінен (желілік кабельмен) және аккумулятордан (желілік кабельсіз) жұмыс істейтін электр құралын білдіреді.

#### Жұмыс орны

- **Жұмыс орнындағы тазалықты және тәртіпті қадағалаңыз.** Жұмыс орнындағы ретсіздік және нашар жарық сәтсіз жағдайларға әкелуі мүмкін.



- ▶ **Жанғыш сұйықтықтар, газдар немесе шаң бар жарылыс қаупі бар аймақта электр құралын қолданбаңыз.** Жұмыс кезінде электр құралдары ұшқындар шығады және ұшқындар шаңды немесе буларды тұтандыруы мүмкін.
- ▶ **Балалардың және бөгде адамдардың жұмыс істеп тұрған электр құралына жақындауына рұқсат етпеңіз.** Жұмысқа көңіл бөлмегенде, электр құралын бақылау жоғалуы мүмкін.

#### **Электр қауіпсіздігі**

- ▶ **Электр құралдың байланыс ашасы электр желісінің розеткасына сай болуы керек.** Айырдың конструкциясын өзгертпеңіз. Қорғауыш жерге қосуы бар электр құралдарымен бірге өтпелі айырларды қолданбаңыз. Түпнұсқа айырлар және оларға сай розеткалар электр тогының соғу қаупін азайтады.
- ▶ **Жерге қосылған беттерге, мысалы, құбырларға, жылыту құралдарына, пештерге (плиталарға) және тоназытқыштарға тікелей тиюді болдырмаңыз.** Жерге қосылған заттарға тигенде электр тогының соғуының үлкен қаупі туындайды.
- ▶ **Электр құралдарды жаңбырдан немесе ылғал әсерінен сақтаңыз.** Электр құралға су тиюі нәтижесінде электр тогының соғу қаупі артады.
- ▶ **Байланыс сымын басқа мақсатқа қолданбаңыз, мысалы, электр құралды тасымалдау, оны іліп қою немесе электр желісінің розеткасынан айырды шығару үшін.** Байланыс сымын жылу, май, өткір жиектер немесе жылжымалы бөліктерден алшақ ұстаңыз. Байланыс сымының зақымдалуы немесе қабаттасуы нәтижесінде электр тогының соғу қаупі артады.
- ▶ **Егер жұмыстар ашық ауада орындалса, тек бөлмелерден тыс қолдануға жарамды ұзартқыш сымды пайдалану электр тогының соғу қаупін азайтады.**
- ▶ **Егер электр құралмен ылғалдылық жағдайларында жұмыс істеуді болдырмау мүмкін емес болса, шығып кететін токтан қорғау автоматын қолданыңыз.** Шығып кететін токтан қорғау автоматын қолдану электр тогының соғу қаупін азайтады.

#### **Адамдардың қауіпсіздігі**

- ▶ **Ұқыпты болыңыз, әрекеттеріңізге көңіл бөліңіз және электр құралымен жұмыс істеуге дұрыс қараңыз.** Шаршаған кезде немесе есірткі, алкоголь не дәрі қабылдаған соң электр құралын қолданбаңыз. Электр құралын қолданған кездегі зейінсіздік ауыр жарақаттарға апарып соғуы мүмкін.
- ▶ **Жеке қорғану құралдарын пайдаланыңыз және әрқашан міндетті түрде қорғауыш көзілдірікті киіңіз.** Электр құралының түріне және пайдалану жағдайларына байланысты жеке қорғану құралдарын, мысалы, шаңнан қорғайтын респираторды, сырғымайтын аяқ киімді, қорғауыш шлемді, естуді қорғау құралдарын қолдану жарақаттану қаупін азайтады.
- ▶ **Электр құралының кездейсоқ қосылуын болдырмаңыз.** Электр қуатына қосу және/немесе аккумуляторды қою, көтеру немесе тасымалдау алдында электр құралы өшірілгеніне көз жеткізіңіз. Электр құралын тасымалдағанда саусақтар сөндіргіште болатын немесе қосылған электр құралы желіге қосылатын жағдайлар сәтсіз жағдайларға әкелуі мүмкін.
- ▶ **Электр құралын қосу алдында реттеуші құрылғыларды және гайка кілтін алыңыз.** Электр құралының айналатын бөлігіндегі аспап немесе кілт жарақаттарға әкелуі мүмкін.
- ▶ **Жұмыс кезінде ыңғайсыз қалыптарға тұрмауға тырысыңыз.** Үнемі тұрақты күйді және тепендікті сақтаңыз. Бұл күтпеген жағдайларда электр құралын жақсырақ басқаруға мүмкіндік береді.
- ▶ **Арнайы киімді киіңіз. Өте бос киімді немесе әшекейлерді кимеңіз.** Шашты, киімді және қолғапты электр құралының айналатын түйіндерінен сақтаңыз. Бос киім, әшекейлер және ұзын шаш оларға ілінуі мүмкін.
- ▶ **Егер шаңды жинау және кетіруге арналған құрылғыларды қосу қарастырылған болса, олар қосылғанына және мақсаты бойынша қолданылып жатқанына көз жеткізіңіз.** Шаңды кетіру модулін пайдалану шаңның зиянды әсерін азайтады.
- ▶ **Өз мойныңызға қате қауіпсіздік сезімін алмаңыз және электр құралына арналған қауіпсіздік ережелерін бұзбаңыз, тіпті электр құралын жиі қолданатын тәжірибелі пайдаланушы болсаңыз.** Мұқиятсыз қолдану бірнеше секундта ауыр жарақаттануға апарып соғуы мүмкін.

#### **Электр құралын қолдану және оған қызмет көрсету**

- ▶ **Аспапқа шамадан тыс жүктеме түсуін болдырмаңыз.** Нақ осы жұмысқа арналған электр құралын қолданыңыз. Бұл ережені сақтау көрсетілген қуат диапазонында жоғарырақ жұмыс сапасын және қауіпсіздігін қамтамасыз етеді.
- ▶ **Сөндіргіші бұзылған электр құралын қолданбаңыз.** Қосу немесе өшіру қиын электр құралы қауіпті және оны жөндеу керек.



- ▶ Электр құралын реттеуге, саймандарды ауыстыруға кірісу алдында немесе жұмыстағы үзіліс алдында розеткадан ашаны және/немесе электр құралынан алмалы-салмалы аккумуляторды шығарыңыз. Бұл сақтық шарасы электр құралының кездейсоқ қосылуын болдырмайды.
- ▶ Қолданылмайтын электр құралдарын балалар жетпейтін жерде сақтаңыз. Аспаппен таныс емес немесе осы нұсқауларды оқып шықпаған адамдарға аспапты пайдалануға рұқсат бермеңіз. Электр құралдары тәжірибесі жоқ пайдаланушылардың қолында қауіпті болады.
- ▶ Электр құралдары мен керек-жарақтарға ұқыпты қараңыз. Айналмалы бөліктердің мүлтіксіз қызмет ететінін, олардың жүрісінің жеңілдігін, барлық бөліктердің тұтастығын және электр құралының жұмысына теріс әсер етуі мүмкін зақымдардың жоқтығын тексеріңіз. Аспаптың зақымдалған бөліктерін оны қолдану алдында жөндеуге өткізіңіз. Электр құралына техникалық қызмет көрсету ережелерін сақтамау көп сәтсіз жағдайлардың себебі болып табылады.
- ▶ Кескіш аспаптардың үшкір және таза болуын қадағалау керек. Жұмыс күйінде сақталатын кескіш аспаптардың сыналануы сиректеу болады, оларды басқару жеңілдеу.
- ▶ Электр құралын, саймандарды, көмекші құрылғыларды және т.б. нұсқауларға сай пайдаланыңыз. Бұл кезде жұмыс жағдайларын және орындалатын жұмыстың сипатын ескеріңіз. Электр құралдарын басқа мақсаттарда қолдану қауіпті жағдайларға әкелуі мүмкін.
- ▶ Тұтқыштар мен тұтқыш беттерін таза, құрғақ, май іздерінсіз ұстаңыз. Сырғанақ тұтқыштар мен олардың беттері белгілі бір жағдайларда электр құралының қауіпсіз қолданылуы мен басқарылуына жол бермейді.

#### Аккумуляторлық аспапты пайдалану және оған қарау


- ▶ Аккумуляторды тек өндіруші ұсынған зарядтағыш құрылғылардың көмегімен зарядтаңыз. Зарядтағыш құрылғыны тиісті емес аккумулятор түрлерін зарядтау үшін қолданғанда өрт туындауы мүмкін.
- ▶ Аспаппен жұмыс істеу үшін тек тиісті аккумуляторларды қолданыңыз. Басқа аккумуляторларды пайдалану жарақаттарға әкелуі және өрт тудыруы мүмкін.
- ▶ Пайдаланылмайтын аккумуляторларды контакттардың тұйықталуының себебі болуы мүмкін скрепкалардан, тындырдан, кілттерден, инелерден, винттерден және басқа металл заттардан ары сақтаңыз. Аккумулятор контактарының тұйықталуы күйіктерге немесе тұтануға әкелуі мүмкін.
- ▶ Аккумулятормен тиісті емес түрде жұмыс істегенде одан электролит ағып шығуы мүмкін. Оған тиюді болдырмаңыз. Кездейсоқ тигенде сумен шайыңыз. Электролит кезге тигенде дәрігер көмегіне жүгініңіз. Аккумулятордан ағып шыққан электролит тері тітіркенуін немесе күйіктерді тудыруы мүмкін.
- ▶ Зақымдалған не пішіні өзгертілген аккумуляторларды қолданбаңыз. Зақымдалған не пішіні өзгертілген аккумуляторларды болжауға болмайды және олар өрт, жарылыс не жарақаттану қаупін тудырады.
- ▶ Аккумуляторды өрт не жоғары температуралы аймақтардан алшақ ұстаңыз. Өрт немесе 130 °C (265 °F) жоғары температуралар жарылыс тудыруы мүмкін.
- ▶ Зарядтау үшін барлық нұсқауларды орындаңыз және аккумулятор не аккумуляторлық құралды ешқашан пайдалану бойынша нұсқаулықта берілген температура ауқымдарынан тыс зарядтамаңыз. Қате зарядтау немесе рұқсатты температура ауқымдарынан тыс зарядтау аккумуляторды бұзуы және өрт қаупін арттыруы мүмкін.

#### Қызмет

- ▶ Электр құралын жөндеуді тек түпнұсқа қосалқы бөлшектерді қолданатын білікті қызметкерлерге сеніп тапсырыңыз. Бұл электр құралын қауіпсіз күйде сақтауды қамтамасыз етеді.
- ▶ Зақымдалған аккумуляторларға ешқашан қызмет көрсетпеңіз. Аккумулятордың толық күтімін тек өндіруші немесе өкілетті қызмет көрсету орталықтары орындауы тиіс.

## 2.2 Барлық аралармен жұмыс кезіндегі қауіпсіздік техникасы бойынша нұсқаулар

#### Аралату

- ▶  ҚАЗІПТІ: Қолдарды аралау орнынан және аралау төсемінен ары ұстаңыз. Екінші қолыңызбен қосымша тұтқышты немесе мотор корпусын ұстаңыз. Егер араны екі қолмен ұстасаңыз, аралау төсемі қолдарыңызды жарақаттауы мүмкін.
- ▶ Өңделетін бұйымды астынан ұстап алмаңыз. Қорғауыш қалпақ бөлшек астында аралау төсемінен қорғай алмайды.
- ▶ Кесу тереңдігін бұйым қалыңдығына сай орнатыңыз. Бөлшек астында аралау төсемі бір тістен көбірек шықпауы керек.



- ▶ **Аралап жатқан бөлшекті ешқашан қолда немесе аяқ үстінде ұстамаңыз. Бөлшек берік тіректе жатуы керек.** Денеге тию, аралау төсемінің сыналануы немесе бақылауды жоғалту қаупін барынша азайту үшін бөлшекті бекіткен жөн.
- ▶ **Кесетін аспап жасырын электр сымдарын кесуі мүмкін жұмыстарды орындап жатсаңыз, құрылғыны тек изоляцияланған тұтқаларынан ұстаңыз.** Кернеу бар сымдарға тию құрылғының металл бөліктерінде кернеу тудырады және электр тогының соғуына әкеледі.
- ▶ **Бойлай аралау кезінде әрқашан тіректі немесе тұзу бағыттауыш жиекті қолданыңыз.** Бұл кесу дәлдігін жақсартыды және аралау төсемінің сыналану мүмкіндігін азайтады.
- ▶ **Әрқашан дұрыс өлшемдері мен сәйкес бекіту тесігі (мысалы, жұлдызшалы немесе дөңгелек) бар аралау төсемдерін пайдаланыңыз.** Бекітулерге сай келмейтін аралау төсемдері біркелкі айналмайды және аспапты бақылауды жоғалтуға әкелуі мүмкін.
- ▶ **Аралау төсемдері немесе бұрандалар астына ешқашан зақымдалған немесе сай емес астына салатын сақиналарды қолданбаңыз.** Аралау төсемдері немесе бұрандалар астына салатын сақиналар араңыз үшін арнайы жасалған және оларды қолдану ең жақсы нәтижеге және жұмыс қауіпсіздігіне кепіл береді.

#### **Кері соққы – себептері және тиісті нұсқаулар**

- Кері соққы – бұл ілінетін, сыналанатын немесе дұрыс емес тексерілген аралау төсемінің салдарынан болатын күтпеген реакция; ол бақыланбайтын араның бөлшектен оператор бағытында шығуына әкеледі;
- егер аралау төсемі матасатын араланған жерде ілініп қалса немесе сыналанса, онда мотор күші құрылғыны артқа оператор бағытында ұшырып шығарады;
- егер араланған жерде аралау төсемі қисайса немесе дұрыс емес тексерілсе, онда араны артқы жиегінің тістері бөлшек бетіне соқтығыуы мүмкін. Бұл аралау төсемінің аралау орнына шығуына және араның оператор бағытында кенет ұшып шығарылуына әкеледі.

Кері соққы араны дұрыс емес немесе қате қолданудың салдары болып табылады. Оны төменде сипатталған тиісті сақтық шараларымен болдырмауға болады.

- ▶ **Араны екі қолмен берік ұстаңыз және бұл кезде қолдарды кері соққы күшіне қарсы тұра алатындай орналастырыңыз.** Әрқашан аралау төсемінен ары тұрыңыз, ешқашан аралау төсемінің денеңіздің осі бойынша жүргізбеңіз. Кері соққы кезінде ара артқа ыршуы мүмкін, алайда тиісті шаралар қолданылса, оператор кері соққы күшіне қарсы тұра алады.
- ▶ **Аралау төсемі сыналанғанда немесе кесу басқа себеппен үзілсе, сөндіргішті жіберіңіз және араны бөлшекте жай, аралау төсемі толық тоқтағанша ұстаңыз.** Айналып жатқанда немесе кері соққы пайда болуы мүмкін болса ешқашан аралау төсемін бөлшектен шығаруға, артқа жіберуге тырыспаңыз. Аралау төсемінің сыналану себебін табыңыз және сәйкес шаралармен кетіріңіз.
- ▶ **Бөлшекті тұрып қалған араны қайта қосқыңыз келсе, алдымен аралау орнында аралау төсемін ортаға келтіріңіз және төсем тістерінің еркіндігін тексеріңіз.** Сыналанған аралау төсемі араны қайта қосқанда бөлшектен шығуы немесе кері соққы тудыруы мүмкін.
- ▶ **Аралау төсемі сыналанғанда кері соққы қаупін азайту үшін үлкен тақталар тіректерде жатуы керек.** Үлкен тақталар өз салмағынан майысуы мүмкін. Тақталар тіректерде екі жақта да, аралау орнының жанында да, жиекте де жатуы керек.
- ▶ **Өтпес немесе зақымдалған аралау төсемдерін пайдаланбаңыз.** Өтпес немесе дұрыс емес тексерілген тістері бар аралау төсемдері өте тар аралаудың нәтижесінде артық үйкелуге, аралау төсемінің сыналануына және кері соққыға әкеледі.
- ▶ **Аралау алдында аралау тереңдігін және бұрышын реттеу қысқыштарын бекемдеңіз.** Егер аралау кезінде параметрлер өзгерсе ара полотносы қысылып кері соғу пайда болуы мүмкін.
- ▶ **Қабырғаларда немесе басқа көру мүмкін емес аймақтарда алалауды орындау кезінде әсіресе сақ болыңыз.** Бататын аралау төсемі аралау кезінде жасырын нысанда бұғатталуы және кері соққы тудыруы мүмкін.

### **2.3 Қауіпсіздік техникасы бойынша қосымша нұсқаулар**

#### **Адамдардың қауіпсіздігі**

- ▶ **Аспап конструкциясына өзгертулер енгізуге және оны модификациялауға тыйым салынады.**
- ▶ **Әрқашан аспапты екі қолмен тұтқыштарынан берік ұстаңыз.** Майланған тұтқыштарды дереу тазалаңыз, олар құрғақ және таза болуы керек.
- ▶ **Қорғауыш құлаққапты киіңіз.** Шу әсерінің нәтижесінде есту қабілеті жоғалуы мүмкін.
- ▶ **Егер аспап шаң сорғыш құралдарынсыз қолданылса, шаң пайда болатын жұмыстарда дем алу органдарын қорғау құралдарын қолданыңыз.**
- ▶ **Аспапты тек сәйкес қорғаныс құралдарымен бірге қолданыңыз.**



- ▶ Жұмыс уақытында қолдар терлемейі үшін саусақтарды босату және жаттықтыру үшін үзілістер жасаңыз.
- ▶ Аспапты әлсіз адамдарға нұсқаусыз пайдалануға тыйым салынады.
- ▶ Аспапты балалардан алшақ ұстаңыз.
- ▶ Өнімді алғаш рет жұмыс орнында қосыңыз.
- ▶ Аспапты сақтау және тасымалдау кезінде аккумуляторды шығарыңыз.
- ▶ Өніммен бас үстінен жұмыс істемеңіз.
- ▶ Аралау төсеміне бүйірден басу арқылы өнімді тоқтатуға тыйым салынады.
- ▶ Аралау сызығында бөгеттер болмауы керек. Бұрандалардың, шегелердің және т.б. үстінен кесуге тыйым салынады.
- ▶ Аспап айналып жатқанда қыспа фланецке және тартпа болтқа тимеңіз.
- ▶ Аралау төсемі айналып жатқанда ешқашан шпindelді бұғаттау түймесін баспаңыз.
- ▶ Аспапты адамдарға бағыттамаңыз.
- ▶ Төсемнің бұғатталуын және нәтижесінде кері соққыны тудырмауы үшін төсемнің өңдеп жатқан материалға тірелу күшін ескеріңіз.
- ▶ Ара тістері ұштарының қызып кетуіне жол бермеңіз.
- ▶ Пластикті аралаған кезде, оның балқып кетуіне жол бермеңіз.
- ▶ Құрамында қорғасын бар бояулар, ағаштың кейбір түрлері, бетон/кірпіш қалауы/кварц қамтитын жыныстар және минералдар мен металл сияқты материалдардан пайда болатын шаң денсаулық үшін зиянды болуы мүмкін. Мұндай шаңның бөлшектерімен дем алу немесе оған тию пайдаланушыларда немесе жанындағы адамдарда аллергиялық реакциялардың және/немесе дем алу жолдары ауруларының пайда болуына әкелуі мүмкін. Кейбір шаң түрлері (мысалы, еменді немесе шамшатты өңдеу кезінде пайда болатын шаң) канцерогенді деп есептеледі, әсіресе ағашты өңдеу үшін қолданылатын қосымша материалдармен (хром қышқылының тұзы, ағашты қорғау заттары) тіркесімде. Құрамында асбест бар материалдарды тек мамандар өңдеуі керек. **Мүмкін болса, жарамды шаңсорғыш құралды қолданыңыз. Шаңсорғыштаудың жоғары деңгейіне жету үшін, тиісті жылжымалы шаңсорғышты пайдаланыңыз. Қажет болса, сәйкес шаң түріне арналған респиратор маскасын тағыңыз. Жұмыс аймағының жақсы желдетілуін қамтамасыз етіңіз. Өңделетін материалдар бойынша еліңізде қолданылатын нұсқауларды орындаңыз.**
- ▶ Жұмысты бастау алдында дайындама материалы бойынша пайда болатын шаңның қауіп класын анықтаңыз. Аспаппен жұмыс істеу үшін қорғаныс дәрежесі қолданыстағы шаңнан қорғау нормаларына сай құрылыс шаңсорғышын қолданыңыз.
- ▶ Жұмыс қауіпсіздігі бойынша ұлттық нұсқамаларды орындаңыз.

#### Электр қауіпсіздігі

- ▶ Жұмысты бастау алдында жұмыс орнында жасырын электр сымдарының, газ және су жүргізу құбырларының бар-жоғын тексеріңіз, мысалы, металл іздегіш көмегімен. Электр сымдарына кездейсоқ тиіп кетсе, аспаптың ашық металл бөліктері электр тогының өткізгіштеріне айналуы мүмкін. Бұл кезде электр тогының соғу қаупі пайда болады.

#### Аккумулятормен дұрыс жұмыс істеу және оны дұрыс пайдалану

- ▶ Li-Ion аккумуляторын тасымалдау, сақтау және пайдалану бойынша арнайы нұсқаулардың талаптарын орындаңыз.
- ▶ Аккумуляторларды жоғары температуралар мен өрттен ары ұстаңыз. Жарылыс қаупі бар.
- ▶ Аккумуляторларды бөлшектеуге, қысуға, 80°C (176°F) жоғары температураға дейін қыздыруға және жағуға тыйым салынады. Әйтпесе өрт, жарылыс немесе күйік қаупі бар.
- ▶ Зақымдалған аккумуляторларды (мысалы, сызаттары бар, бөліктері сынған, контактілері бүгілген және/немесе созылған аккумуляторларды) зарядтауға және қайта қолдануға тыйым салынады.
- ▶ Аккумуляторды осы нұсқаулықта көрсетілмеген басқа аспаптармен бірге қолданбаңыз.
- ▶ Егер тиген кезде аккумулятор тым ыстық болса, ол ақаулы болуы мүмкін. Аспапты тұтану қаупі жоқ орынға, тұтанғыш материалдардан алыс, аккумуляторды бақылауға болатындай етіп қойыңыз және оны сууға қалдырыңыз. Аккумулятор суығаннан кейін Hilti қызмет көрсету бөліміне хабарласыңыз.

#### 2.4 Циркулярлық арамен жұмыс істеу кезіндегі қауіпсіздік техникасы бойынша қосымша нұсқаулар

- ▶ Дайындамаға тек қосылған күйдегі қолмен басқарылатын циркулярлық араны бағыттаңыз.
  - ▶ Аралау сызығының үстінде және астында бөгде заттар болмауы керек. Бұрандалар, шегелер және т.б. бұйымдардың үстінен аралауға тыйым салынады.
- ▶ Циркулярлық араны ешқашан басыңыздың үстінен ұстап жұмыс істемеңіз.



- ▶ Ара төсемін ешқашан бүйірінен қарсы қысу арқылы тежемеңіз.
- ▶ Ара тістері ұштарының қызып кетуіне жол бермеңіз.
- ▶ Кесілетін бет үшін әрдайым тиісті ара төсемін пайдаланыңыз.
- ▶ Тек қана EN 847-1 стандартына сәйкес келетін, Hilti компаниясы ұсынған ара төсемдерін қолданыңыз.

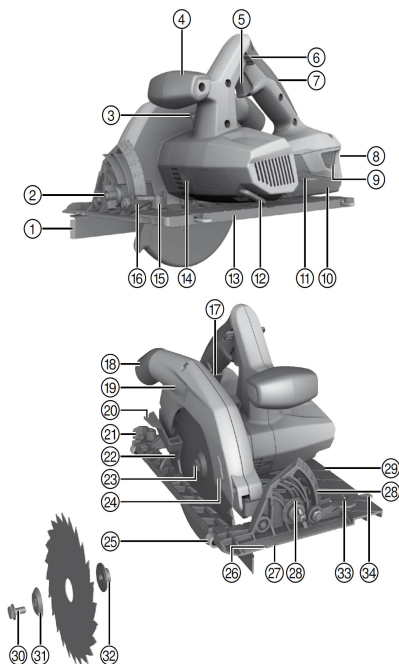
## **2.5 Аккумулятормен дұрыс жұмыс істеу және оны дұрыс пайдалану**

- ▶ Li-Ion аккумуляторын тасымалдау, сақтау және пайдалану бойынша арнайы нұсқаулардың талаптарын орындаңыз.
- ▶ Аккумуляторларды жоғары температуралар, тікелей күн сәулесі мен өрттен алшақ ұстаңыз.
- ▶ Аккумуляторларды бөлшектеуге, қысуға, 80°C (176°F) жоғары температураға дейін қыздыруға және жағуға тыйым салынады.
- ▶ Соққы тиген, бір метрден жоғары биіктіктен құлаған немесе басқа жолмен зақымдалған аккумуляторларды пайдалануға немесе зарядтауға болмайды. Мұндай жағдайда әрдайым **Hilti сервистік қызметіңізге** хабарласыңыз.
- ▶ Егер тиген кезде аккумулятор тым ыстық болса, ол ақаулы болуы мүмкін. Аккумуляторды тұтанғыш материалдардан жеткілікті қашықтықта орналасқан, жақсы көрінетін, тұтанбайтын жерге қойыңыз. Аккумуляторды суытыңыз. Аккумулятор бір сағаттан кейін әлі де қолға ыстық болып тұрса, бұл оның ақаулы екендігін білдіреді. **Hilti қызмет көрсету орталығына** хабарласыңыз.



### 3 Сипаттама

#### 3.1 Өнімге шолу 1



- 1 Бір тұтқалы параллель тірек
- 2 Кесу бұрышының алдын ала орнатылуы (22,5°, 45°, 50°)
- 3 Шпиндельді бұғаттау түймесі
- 4 Қосымша тұтқыш
- 5 Негізгі сөндіргіш
- 6 Қосылу блокираторы
- 7 Тұтқыш
- 8 Заряд деңгейінің және ақаулықтардың индикаторы (литий-иондық аккумулятор)
- 9 Аккумулятор заряды деңгейінің көрсеткішін белсендірудің қосымша функциясы бар бұғаттау түймесі
- 10 Аккумулятор
- 11 Кесік тереңдігін шектегіштің бекіткіші
- 12 Ішкі алты қырлы гайка кілті
- 13 Тірек тақтасы, шағын
- 14 Жарық диодты шам
- 15 Параллель бағыттауышқа арналған қысқыш тұтқышы, алдыңғы
- 16 Кесік бұрышын реттеуге арналған қысқыш иінтірек
- 17 Кесік тереңдігінің шкаласы
- 18 Жалғау штуцері (жоңқаны шығаруға арналған арна)
- 19 Қорғауыш қаптама
- 20 Араның қайырмалы қоршауының тұтқышы
- 21 Параллель бағыттауышқа арналған қысқыш тұтқышы, артқы (тек үлкен тірек тақтасына арналған)
- 22 Араның қайырмалы қоршауы
- 23 Қозғалғыш шпиндель
- 24 Айналу бағытының көрсеткіші
- 25 Параллель бағыттауыш, екі иінді
- 26 0° кесік белгісі
- 27 45° кесік белгісі
- 28 Кесік бұрышының шкаласы
- 29 Тірек тақтасы, үлкен
- 30 Қыспа бұранда
- 31 Қыспа фланец
- 32 Бекіткіш фланец
- 33 Ойық белгісі 0° тірек тақтасы
- 34 Ойық белгісі 1° - 50° тірек тақтасы

#### 3.2 Бағыттауыш шина адаптері 2

- |                                 |                          |
|---------------------------------|--------------------------|
| 35 Артқы тоқтатқыш жалғастырғыш | 37 Ойық белгісі 0°       |
| 36 Алдыңғы траверса             | 38 Ойық белгісі 1° - 50° |

#### 3.3 Мақсатына сай қолдану

Сипатталған өнім аккумуляторлық дискілік ара болып табылады. Ол ағаш немесе ағаш тәрізді материалдар, пластмасса, гипскартон, гипс талшықты тақталар және композиттік материалдарды аралауға арналған.



Қолмен басқарылатын циркулярлық ара әдеттегі сорғыш шлангілерге арналған қосымша шаңсорғыш / шаң жинағыш үшін алмалы-салмалы байланыс келте құбырымен жабдықталған. Шаңсорғыш шлангісін арамен біріктіру үшін сәйкес адаптер керек болмайды.

- ▶ Көрсетілген параметрлерге сай емес (мысалы, диаметрі, айналымдар саны, қалыңдығы бойынша) ара төсемдерін, кесетін және тегістеу дискілерін, сондай-ақ, тез кесетін болаттан (HSS болаты) жасалған ара төсемдерін қолдануға болмайды. Металдарды кесуге болмайды.
- ▶ Өнімді бұтақтарды кесу және ағаш діңдерін аралау үшін қолданбаңыз.
- ▶ Бұл өнім үшін тек В 22 қатарындағы **Hilti** Li-Ion аккумуляторларын ғана пайдаланыңыз.
- ▶ Бұл аккумуляторлар үшін тек С4/36 сериялы **Hilti** зарядтағыш құрылғысын пайдаланыңыз.

### 3.4 Li-Ion аккумуляторының индикаторы

Li-Ion аккумуляторының зарядтау күйі және құрылғыдағы ақаулықтар Li-Ion аккумуляторының индикаторында көрсетіледі. Li-Ion аккумуляторының заряд күйінің көрсеткіші екі аккумуляторды босату түймесін басу арқылы көрсетіледі.

Құралдың бөлшектері	Сипаттамасы
4 жарық диоды жанады.	Зарядтау күйі: 75% - 100%
3 жарық диоды жанады.	Зарядтау күйі: 50% - 75%
2 жарық диоды жанады.	Зарядтау күйі: 25% - 50%
1 жарық диоды жанады.	Зарядтау күйі: 10% - 25%
1 жарық диоды жыпылықтайды, аспап жұмысқа дайын.	Зарядтау күйі: < 10%
1 жарық диоды жыпылықтайды, аспап жұмысқа дайын емес.	Аккумулятор қызып кетті немесе заряды толығымен бітті.
4 жарық диоды жыпылықтайды, аспап жұмысқа дайын емес.	Аспап қызып кетті немесе оған шамадан тыс жүктеме түсті.

- i** Негізгі сөндіргіш басылып тұрғанда және негізгі сөндіргішті жібергеннен 5 секундтан кейін зарядтау күйіне сұрау салу мүмкін болмайды. Аккумулятор индикаторының жарық диодтары жыпылықтаған жағдайда «Ақаулықтардағы көмек» бөліміндегі нұсқауларға назар аударыңыз.

### 3.5 Параллель бағыттауыш

Параллель бағыттауыш көмегімен дайындама бойымен дәл кесу, сондай-ақ, бірдей кесектерге кесу мүмкін болады.

Параллель бағыттауышты табанның екі жағына орнатуға болады.

### 3.6 Жеткізілім жинағы

Циркулярлық ара, ара төсемі, ішкі алты қырлы кілт, параллель тірек, шаңсорғышқа арналған байланыс келте құбыры, пайдалану бойынша нұсқаулық, (қосымша: бағыттауыш шина адаптері)

- i** Біз рұқсат еткен қосалқы бөлшектер, шығын материалдары мен өнімге арналған керек-жарақтар **Hilti Store** дүкенінде немесе келесі веб-сайтта қолжетімді: [www.hilti.group](http://www.hilti.group).

### 3.7 Жабдықтар

Қыспа фланец, бекіткіш фланец, қыспа болт.

## 4 Техникалық сипаттамалар

### 4.1 Дискілік ара

	SC 70W-A22
Номиналды кернеу	21,6 В
ЕРТА 01 процедурасы бойынша салмағы	4,8 кг
Ара төсемінің анықталған диаметрі	190 мм





	SC 70W-A22
Діңгең төсемінің қалыңдығы	0,7 мм ... 1,5 мм
Кесік өні	1,5 мм ... 2 мм
Төсемнің отырғызу тесігінің диаметрі	30 мм
Бос жүрістегі айналу жиілігі	3500 А/мин
Максималды кесу тереңдігі 0°	70 мм
Максималды кесу тереңдігі 45°	51 мм
Максималды кесу тереңдігі 50°	45 мм
Қиғаш кесу бұрышы	0° ... 50°
Жұмыс температурасы	-10 °С ... 50 °С
Сақтау температурасы (Акумуляторсыз)	-30 °С ... 70 °С

#### 4.2 Акумулятор

Акумулятордың жұмыс кернеуі	21,6 В
Жұмыс кезіндегі қоршаған орта температурасы	-17 °С ... 60 °С
Сақтау температурасы	-20 °С ... 40 °С
Зарядтаудың басындағы акумулятор температурасы	-10 °С ... 45 °С

#### 4.3 EN 62841 стандартына сәйкес анықталатын шуыл туралы ақпарат және діріл мәні

Осы нұсқауларда көрсетілген дыбыс қысымы мен діріл деңгейі стандартты өлшеу әдісімен өлшенген және оны басқа электр құралдарымен салыстыру үшін пайдалануға болады. Сонымен бірге, ол экспозицияны алдын ала бағалау үшін жарайды. Берілген деректер электр құралдың негізгі жұмысын көрсетеді. Алайда, егер электр құралы басқа мақсаттарда, басқа жұмыс аспаптарымен қолданылса немесе оған қанағаттандырмайтын техникалық қызмет көрсетілсе, деректер өзгеше болуы мүмкін. Осының салдарынан аспаптың бүкіл жұмыс істеу кезеңінде экспозиция айтарлықтай артуы мүмкін. Экспозицияны дәл анықтау үшін аспап сәндірілген күйде немесе бос жұмыс істейтін уақыт аралықтарын да ескеру керек. Осының салдарынан аспаптың бүкіл жұмыс істеу кезеңінде экспозиция айтарлықтай азаюы мүмкін. Пайдаланушыны пайда болатын шуылдан және/немесе дірілден қорғау үшін қосымша сақтық шараларын қолданыңыз, мысалы: электр аспабына және жұмыс аспаптарына техникалық қызмет көрсету, қолдардың жылуын сақтау, жұмыс процестерін дұрыс ұйымдастыру.

#### EN 62841 бойынша есептелген шуыл шығару мәні

	SC 70W-A22
Дыбыс күшінің деңгейі ( $L_{WA}$ )	103 дБ(А)
Дыбыс күшінің деңгейі бойынша дәлсіздік ( $K_{WA}$ )	3 дБ(А)
Дыбыс қысымының деңгейі ( $L_{pA}$ )	92 дБ(А)
Дыбыс қысымының деңгейі бойынша дәлсіздік ( $K_{pA}$ )	3 дБ(А)

Дірілдің жалпы көрсеткіші (үш бағыттың векторлық қосындысы), EN 62841 стандарты бойынша анықталған

	SC 70W-A22
Дірілдің эмиссиялық көрсеткіші, ағашты аралау ( $A_{h, w}$ )	0,93 м/с <sup>2</sup>
Дәлсіздік (К)	1,5 м/с <sup>2</sup>

## 5 Қызмет көрсету

### 5.1 Жұмысқа дайындық

#### 5.1.1 Акумуляторды зарядтау

1. Зарядтау алдында зарядтағыш құрылғының пайдалану бойынша нұсқаулығын оқып шығыңыз.
2. Акумулятордағы және зарядтағыш құрылғыдағы контактілердің таза әрі құрғақ екендігіне көз жеткізіңіз.
3. Акумуляторды рұқсат етілген зарядтағыш құрылғы ішінде зарядтаңыз. 233



### 5.1.2 Аккумуляторды орнату

#### ЕСКЕРТУ

**Жарақат алу қаупі қысқа тұйықталудан немесе аккумулятордың құлауынан!**

- ▶ Аккумуляторды орнату алдында аккумулятор контактілерінде және өнімдегі контактілерде бөгде заттардың жоқтығына көз жеткізіңіз.
- ▶ Аккумулятордың әркез дұрыс орнатылғанына көз жеткізіңіз.

1. Аккумуляторды алғаш рет іске қоспас бұрын зарядтаңыз.
2. Аккумуляторды өнімге шерту дыбысымен тірелгенше кіргізіңіз.
3. Аккумулятордың аспапқа берік бекітілгенін тексеріңіз.

### 5.1.3 Аккумуляторды шығару

1. Аккумулятордың босату түймелерін басыңыз.
2. Аккумуляторды аспаптан шығарыңыз.

### 5.1.4 Төсемді алу

#### ЕСКЕРТУ

**Ара төсемі, қыспа бұранда мен қыспа фланецтен күйіп қалу және кесіліп қалу қаупі бар**  
Нәтижесінде күйіп қалуға және кесіліп қалуға болады.

- ▶ Ауыстырылатын аспапты ауыстырғанда қорғауыш қолғаптарды қолданыңыз.

1. Аккумуляторды аспаптан шығарыңыз.
2. Ішкі алты қырлы кілтті ара төсеміне арналған тартпа болтқа енгізіңіз.
3. Шпиндельді бұғаттау түймесін басып тұрыңыз.
4. Бүйірлік алты қырлы кілттің көмегімен төсемнің тартпа болтын шпиндельді бекіту түймесі толығымен тірелмегенше бұрап босатыңыз.
5. Ішкі алты қырлы кілтті айналту көрсеткісінің бағытымен айналдырып тартпа болтты бұрап алыңыз.
6. Тартпа болт пен сыртқы бекіткіш фланецті алып тастаңыз.
7. Араның қайырмалы қоршауын ашып, төсемді шығарыңыз.



Қажет болса, қыспа фланецті тазалау үшін алып тастауға болады.

### 5.1.5 Ара төсемін орнату

#### АБАЙЛАҢЫЗ

**Зақымдалу қаупі бар!** Жарамсыз немесе қате орнатылған ара төсемдері араға зақым келтіруі мүмкін.

- ▶ Тек осы араға арналған төсемдерді қолданыңыз. Міндетті түрде ара төсеміндегі айналту бағыты көрсеткісіне назар аударыңыз.
- ▶ Өнімде көрсетілген жылдамдықтан кем болмайтын, рұқсат етілген жылдамдықтағы ара төсемін пайдаланыңыз.



**Орнатылған төсем техникалық талаптарға сай екеніне және жақсы өткірленгеніне көз жеткізіңіз.** Үшкір өткірленген төсем – мінсіз кесу кепілі.


1. Аккумуляторды аспаптан шығарыңыз.
2. Бекіткіш фланецті және қыспа фланецті тазалаңыз.
3. Қыспа фланецті қозғалғыш шпиндельге тиісті бағдармен кигізіңіз.
4. Қайырмалы қоршауды ашыңыз.
5. Жаңа төсемді орнатыңыз.
6. Сыртқы бекіту фланецін дұрыс бағдармен кигізіңіз.
7. Тартпа болтты салыңыз.
8. Ішкі алты қырлы кілтті ара төсеміне арналған тартпа болтқа енгізіңіз.
9. Шпиндельді бұғаттау түймесін басыңыз.
10. Ішкі алты қырлы кілтті айналту көрсеткісінің бағытына қарсы бұрау арқылы бекіту фланецін тартпа болтпен бірге бекітіңіз.
  - ▶ Шпиндельді бекіту түймесі енгізіледі.



11. Қолданысқа енгізу алдында ара төсемінің берік және дұрыс отырғанын тексеріңіз.

### 5.1.6 Кесік тереңдігін орнату


1. Аккумуляторды аспаптан шығарыңыз.
2. Кесік тереңдігін реттеуге арналған қысқыш иінтіректі босатыңыз.
3. Өнім корпусын қисайтыңыз және бекіткішті басу көмегімен қажетті кесу тереңдігін орнатыңыз.

 Реттелген аралау тереңдігі әрқашан аралап жатқан материалдың қалыңдығынан шамамен 5-10 мм көбірек болуы керек.

Қоршаудың артқы жағында орналасқан шкалада және көрсеткіде орнатылған тереңдікті оқуға болады.


### 5.1.7 Кесік бұрышын орнату


1. Аккумуляторды аспаптан шығарыңыз.
2. Кесік бұрышын реттеуге арналған қысқыш иінтіректі босатыңыз.
3. Өнімді қажетті күйге қайырыңыз.

 Кесу бұрышын алдын ала реттеу 22,5°/45°/50° шамасындағы максималды бұрышты оңай реттеуге мүмкіндік береді

4. Кесік бұрышын реттеуге арналған қысқыш иінтіректі бекітіңіз.

### 5.1.8 Белгілеу бойынша кесу


 Циркулярлық араның алдыңғы тірек тақтасында тік кесіктерге және қиғаш кесіктерге арналған сызат индикаторы (0° және 45°) орналасқан. Осылайша таңдалған кесік бұрышына қарай дәлме-дәл кесуді орындау мүмкін болады. Сызат жиегі ара төсемінің ішкі жағына сай келеді. Сызат индикаторы ара төсеміне арналған алдыңғы ойықта орналасқан.

 Дайындама берік бекітілгеніне көз жеткізіңіз. Дайындаманы аралау сызығының астында ештеңе болмайтындай орнатыңыз. Өнім сөндіргіші өшірулі екендігіне көз жеткізіңіз. Өнім табанын дайындамаға төсем дайындамаға тимейтіндей орнатыңыз.

1. Аккумуляторды орнатыңыз.
2. Қосу құлпы басылып тұрғанда, қосқыш/ажыратқышты басу арқылы өнімді қосыңыз.
3. Өнімді белгілеу сызығының бойымен бірдей орнатылған жылдамдықпен жүргізіңіз.


### 5.1.9 Қатарлас тіректі орнату/реттеу

1. Аккумуляторды аспаптан шығарыңыз.
2. Қыспа бұранданы параллель тіректі өткізу үшін бос орын қалатындай тірек тақтасында бұраңыз.
3. Қатарлас тіректің бағыттауышын қыспа бұранда астына салыңыз.
4. Қалаған кесік енін реттеңіз.
5. Қыспа бұранданы бекітіңіз.

 Параллель тіректі (бір иінді/екі иінді) тірек тақтасының екі жағына орнатуға болады. Екі иінді параллель тірек тек үлкен тірек тақтасында пайдаланылуы тиіс

Параллель тірек көмегімен дайындама бойымен дәл аралауды және өлшемі бірдей планкаларды аралауды орындауға болады.

### 5.1.10 Бағыттауыш шина адаптерін монтаждау

 Араны керек-жарақ ретінде қолжетімді бағыттауыш шина адаптерімен жабдықтауға болады. Шағын тірек тақтасы бар араны қолданғанда, бағыттауыш шинаға сәйкес келетін бағыттауыш шина адаптерін пайдаланыңыз.

1. Аккумуляторды аспаптан шығарыңыз.
2. Орнатылған болуы мүмкін қатарлас тіректі алыңыз.
3. Тірек тақтасын бағыттауыш шина адаптерінің бүйірлік траверсасына кіргізіңіз.



4. Тірек тақтасын бағыттауыш шина адаптеріне толығымен салыңыз.
5. Жылжымалардың екеуін де тірелгенше кіргізу арқылы бағыттауыш шина адаптерін құлыптаңыз.

## 5.2 Жұмыс істеу

### 5.2.1 Қосу

- ▶ Қосу құлпын басып, сөндіргішті басу арқылы өнімді қосыңыз.

### 5.2.2 Өшіру

- ▶ Аспапты қосқыш/ажыратқышты жіберу арқылы тоқтатыңыз.

### 5.2.3 0° бұрыштағы көлденең кесіктер **10**

1. Дөңгелек араны "0°" деп белгіленген ойық белгісінің көмегімен бағыттауыш шинаның көлденең қырына қойыңыз.
2. Қосу құлпын басып, сөндіргішті басу арқылы өнімді қосыңыз.
3. Өнімді дайындаманың бойымен шинаның арнайы жұмыс жылдамдығымен жүргізіңіз.

### 5.2.4 50° шамасына дейінгі бұрыштардағы көлденең кесіктер **11**

1. Бұрышты реттеңіз.

#### **ЕСКЕРТУ**

**Қиғаш кесу кезінде соқтығысу қаупі бар!** Ара төсемінің бағыттауыш шинамен соқтығысуы.

- ▶ Араны тиісті ойығымен бағыттауыш шинаның көлденең қырына қойыңыз. Кері жағдайда ара төсемі бағыттауыш шинамен соқтығысады.

2. Араны "1°-50°" деп белгіленген ойық белгісінің көмегімен бағыттауыш шинаның көлденең қырына қойыңыз.
3. Қосу құлпын басып, сөндіргішті басу арқылы өнімді қосыңыз.
4. Өнімді дайындаманың бойымен шинаның арнайы жұмыс жылдамдығымен жүргізіңіз.

### 5.2.5 Жалпақ бұрыштық кесіктер орналастыру **12**

1. Бағыттауыш шинаны нөлдік нүктесімен дайындама жиегіне қойыңыз және шинаның бұрыштық шкаласында қалаған бұрыш нөлдік нүктеге қарсы орналасатындай бұраңыз. Көрсетілген аралау бұрышы осы кесу тік бұрышпен орындалған кесуден ерекшеленетін бұрыш шамасын көрсетеді.
2. Бағыттауыш шинаны екі струбцинамен бекітіңіз.
3. Дөңгелек араны "0°" деп белгіленген ойық белгісінің көмегімен бағыттауыш шинаның көлденең қырына қойыңыз.
4. Қосу құлпын басып, сөндіргішті басу арқылы өнімді қосыңыз.
5. Өнімді дайындаманың бойымен шинаның арнайы жұмыс жылдамдығымен жүргізіңіз.

### 5.2.6 Жоңқаны сорусыз аралау

1. Жоңқаның еркін шашырауына көз жеткізіңіз.
2. Қажет болса, байланыс келте құбырын ішкі алты қырлы бұранданы өнімде орналасқан ішкі алты қырлы кілтпен ашқаннан кейін қорғаныш қаптамадан шығарып алуға болады.

## 6 Күту және техникалық қызмет көрсету

#### **ЕСКЕРТУ**

**Аккумулятор енгізілген кезде жарақат алу қаупі бар !**

- ▶ Күтім және техникалық қызмет көрсету бойынша кез келген жұмыстарды орындамас бұрын әрдайым аккумуляторды шығарыңыз!

#### **Өнімге қызмет көрсету**

- Қатты жабысып қалған кірді абайлап кетіріңіз.
- Бар болса, желдету саңылауларын құрғақ, жұмсақ қылшақпен жақсылап тазалаңыз.
- Корпусты сәл суланған шүберекпен ғана тазалаңыз. Ешқандай силикон қамтитын күтім құралдарын пайдаланбаңыз, себебі олар пластик бөлшектерге зақым келтіре алады.
- Өнімнің контактілерін тазалау үшін таза, құрғақ шүберекті пайдаланыңыз.



### Литий-иондық аккумуляторға қызмет көрсету

- Еш жағдайда желдету саңылаулары бітелген аккумуляторды қолданбаңыз. Желдету саңылауларын құрғақ, жұмсақ қылшақпен жақсылап тазалаңыз.
- Аккумуляторға шаңның немесе кірдің қажетсіз тиюіне жол бермеңіз. Аккумуляторға қатты ылғалдың тиюіне ешқашан жол бермеңіз (мысалы, суға батыру немесе жаңбыр астына қою арқылы). Аккумулятор су болса, оны зақымдалған аккумулятор ретінде қарастырыңыз. Оны тұтанбайтын контейнерге оқшаулап, **Hilti** қызмет көрсету орталығына хабарласыңыз.
- Аккумуляторды бөгде май мен майлағыштан таза ұстаңыз. Аккумуляторда шаң не кірдің қажетсіз жиналуына жол бермеңіз. Аккумуляторды құрғақ, жұмсақ қылшақпен немесе таза, құрғақ шүберекпен тазалаңыз. Ешқандай силикон қамтитын күтім құралдарын пайдаланбаңыз, себебі олар пластик бөліктерге зақым келтіре алады. Аккумулятордың контактілеріне тиіменіз және зауыттан тыс қолданылған майды контактілерден кетіріңіз.
- Корпусты сәл суланған шүберекпен ғана тазалаңыз. Ешқандай силикон қамтитын күтім құралдарын пайдаланбаңыз, себебі олар пластик бөлшектерге зақым келтіруі мүмкін.

### Техникалық қызмет көрсету



#### ЕСКЕРТУ

**Ток соғу қаупі!** Электрлік құрамдас бөлшектерді қате жөндеу ауыр жарақаттану мен өртке апарып соғуы мүмкін.

- ▶ Аспаптың электр бөлігін жөндеуді тек маман-электрикке тапсырыңыз.
- 
- Көзге көрінетін барлық бөлшектерде зақымдардың бар-жоғын және басқару элементтерінің ақаусыз жұмысын жиі тексеріп тұрыңыз.
  - Өнім зақымдалған және/немесе ақаулы болған жағдайда, оны пайдаланушы болмаңыз. Өнімді міндетті түрде **Hilti** қызмет көрсету орталығында жөндетіңіз.
  - Күтім және техникалық қызмет көрсету жұмыстарынан кейін барлық қорғауш құрылғыларды орнатып, олардың ақаусыз жұмыс істегенін тексеріңіз.



Қауіпсіз қолдану үшін тек түпнұсқа қосалқы бөлшектерді, шығыс материалдарды және құрамдастарды қолданыңыз. **Hilti** мақұлдаған қосалқы бөлшектер, шығын материалдары мен өнімге арналған керек-жарақтар **Hilti Store** дүкенінде немесе келесі веб-сайтта қолжетімді: [www.hilti.group](http://www.hilti.group)

### 6.1 Қорғауш қаптаманы тазалау

1. Қорғауш құралды тазалау үшін аралау дискін алып қойыңыз.
2. Қорғауш қаптаманы жайлап құрғақ щеткамен тазалаңыз.
3. Қорғауш қаптаманың ішіндегі шөгінділер мен жоңқаны арнайы құралмен жойыңыз.
4. Аралау дискін орнатыңыз.

### 6.2 Арна бітеліп қалғандағы жоңқаны шығару бойынша әрекеттер

1. Аккумуляторды аспаптан шығарыңыз.
2. Жоңқаны шығаруға арналған арнаны тазалаңыз.



Қажет болғанда ара төсемін бөлшектеуге болады. 236

3. Қозғалмалы бөліктердің мүлтіксіз қызмет етуін, барлық бөліктердің тұтастығын және өнімнің жұмысына теріс әсер етуі мүмкін зақымдардың жоқ болуын тексеріңіз.

### 6.3 Күту және техникалық қызмет көрсету жұмыстарынан кейін бақылау



Аспапты күтіп, техникалық қызмет көрсеткеннен кейін барлық сақтандырғыштар орнатылғанына және дұрыс қызмет ететініне көз жеткізіңіз.

- ▶ Қайырмалы қаптаманы басқару үшін, оны басқару тұтқышына тиіп толық ашыңыз.
  - ▶ Басқару тұтқышын жіберген соң қайырмалы қаптаманы жылдам және толықтай жауып қойыңыз.



## 7 Тасымалдау және сақтау

### Аккумуляторлы құралдар мен аккумуляторларды тасымалдау

#### АБАЙЛАҢЫЗ

#### Тасымалдау кезіндегі кенет іске қосылу !

- ▶ Өніміңізді әрдайым аккумуляторын шығарып алып тасымалдаңыз!
- ▶ Аккумулятор(лар)ды шығарыңыз.
- ▶ Аккумуляторларды ешқашан үймеде тасымалдамаңыз. Тасымалдау барысында аккумуляторларды шамадан артық соққы мен дірілден қорғау және олардың басқа батарея полюстерімен жанасуына және қысқа тұйықталудың туындауына жол бермеу үшін кез келген ток өткізгіш материалдардан немесе басқа аккумуляторлардан оқшаулау керек. **Аккумуляторларға арналған жергілікті тасымалдау ережелерін сақтаңыз.**
- ▶ Аккумуляторларды поштамен жіберуге болмайды. Зақымдалмаған аккумуляторларды жіберу қажет болғанда, жеткізуші кәсіпорындарға хабарласыңыз.
- ▶ Өнім мен аккумуляторларды әр пайдаланбас бұрын және ұзақ уақыт бойы тасымалдағаннан кейін зақымдардың бар-жоғын тексеріп шығыңыз.

### Аккумуляторлы құралдар мен аккумуляторларды сақтау

#### ЕСКЕРТУ

#### Бүлінген немесе заряды таусылған аккумуляторлардан күтілмеген зақымдалу !

- ▶ Өніміңізді әрдайым аккумуляторын шығарып алып сақтаңыз!
- ▶ Өнім мен аккумуляторларды салқын және құрғақ жерде сақтаңыз. Техникалық деректерде көрсетілген температураның шектік мәндерін ескеріңіз.
- ▶ Аккумуляторларды зарядтағыш құрылғыда сақтамаңыз. Аккумуляторды зарядтағаннан кейін әрдайым зарядтағыш құрылғыдан шығарыңыз.
- ▶ Аккумуляторларды еш жағдайда күн мен жылу көздерінің астында немесе шыны әйнек артында сақтамаңыз.
- ▶ Өнім мен аккумуляторларды балалар мен рұқсаты жоқ адамдардың қолы жетпейтін жерде сақтаңыз.
- ▶ Өнім мен аккумуляторларды әр пайдаланбас бұрын және ұзақ уақыт бойы сақтағаннан кейін зақымдардың бар-жоғын тексеріп шығыңыз.

## 8 Ақаулықтардағы көмек

- ▶ Бұл кестеде келтірілмеген немесе өзіңіз түзете алмайтын ақаулықтар орын алғанда, **Hilti** қызмет көрсету орталығына хабарласыңыз.

### 8.1 Дискілік ара жұмыс істемейді

Ақаулық	Ықтимал себеп	Шешім
Жарық диодтары өшірулі.	Аккумулятор толығымен салынбаған.	▶ Аккумуляторды орнатыңыз.
	Аккумулятор зарядын босатыңыз.	▶ Аккумуляторды зарядтаңыз.
	Аккумулятор қызып немесе суып кетті.	▶ Аккумуляторды дұрыс қоршаған орта температурасына келтіріңіз.
1 жарық диоды жыпылықтайды.	Аккумулятор зарядын босатыңыз.	▶ Аккумуляторды зарядтаңыз.
	Аккумулятор қызып немесе суып кетті.	▶ Аккумуляторды дұрыс қоршаған орта температурасына келтіріңіз.
4 жарық диоды жыпылықтайды.	Дискілік араға қысқа мерзімді жүктеме түсті.	▶ Негізгі сөндіргішті босатып, қайтадан басыңыз.
	Қызып кетуден қорғау.	▶ Дискілік араны салқындатып, желдету саңылауын тазалаңыз.



## 8.2 Дискілік ара жұмыс істемейді

Ақаулық	Ықтимал себеп	Шешім
Негізгі іске қосқыш сөндіргіш басылмайды немесе бұғатталған.	Қате жоқ (қауіпсіздік функциясы).	► Іске қосу құлпын басыңыз.
Айналымдар саны тым тез төмендейді.	Аккумулятор зарядын босатыңыз.	► Аккумуляторды зарядтаңыз.
	Беріліс күші тым жоғары.	► Беріліс күшін азайтыңыз және өнімді қайта қосыңыз.
Жоңқа жоңқаға арналған контейнерге емес, ал дайындамаға түседі.	Жоңқаға арналған контейнер толып кетті.	► Жоңқаға арналған контейнерді босатыңыз.
	Жоңқаны шығаруға арналған арна бітелген.	► Жоңқаны шығаруға арналған арнаны тазалаңыз. 239
Аралау төсемі айналмайды.	Беріліс күші тым жоғары.	► Беріліс күшін азайтыңыз және өнімді қайта қосыңыз.
Аккумулятор заряды әдеттегіден тезірек бітеді.	Аккумулятордың күйі оңтайлы емес.	► Аккумуляторды жаңартыңыз.
Аккумулятор бекітілгенде оған тән "қос шырт еткен дыбыс" естілмейді.	Аккумулятордағы құлып шоқылары кірленген.	► Құлып шоқыларын тазалаңыз және аккумуляторды салыңыз. Мәселелер пайда болғанда <b>Hilti</b> қызмет көрсету орталығына барыңыз.
Дискілік арада не аккумуляторда қатты ыстық пайда болды.	Электр бөлігі бойынша ақаулық	► Дискілік араны бірден өшіріңіз. Аккумуляторды алып тастап, бақылаңыз. Аккумуляторды суытыңыз. <b>Hilti</b> қызмет көрсету бөліміне хабарласыңыз.
	Өнімге шамадан тыс жүктеме түскен (пайдалану шегі асырылған).	► Қолдануға жарамды аспапты таңдаңыз.
Ара қатты дірілдейді	Ара төсемі қате орнатылған	► Ара төсемін тиісінше орнатыңыз. 236

## 9 Көдеге жарату

### ЕСКЕРТУ

**Қате жолмен көдеге жаратудан жарақат алу қаупі бар!** Газдардың немесе сұйықтықтардың шығуынан денсаулыққа зиян келтіру қаупі бар.

- Зақымдалған аккумуляторларды жіберуге немесе жөнелтуге болмайды!
- Қысқа тұйықталуға жол бермеу үшін, қосылымдарды ток өткізбейтін материалмен жауып қойыңыз.
- Аккумуляторларды балалардың қолына жетпейтіндей етіп көдеге жаратыңыз.
- Аккумуляторды **Hilti Store** дүкенінде көдеге жаратыңыз немесе жергілікті көдеге жарату кәсіпорнына хабарласыңыз.

**Hilti** өнімдері қайта өңдеу үшін жарамды көптеген материалдардың санынан тұрады. Көдеге жарату алдында материалдарды мұқият сұрыптау керек. Көптеген елдерде **Hilti** компаниясы ескі аспаптарды көдеге жарату үшін қабылдайды. **Hilti** қызмет көрсету орталығынан немесе дилерден сұраңыз.



- Электр құралдарды, электрондық құрылғылар мен аккумуляторларды тұрмыстық қоқыспен бірге тастамаңыз!

## 10 RoHS (зиянды заттектердің пайдаланылуын шектеу директивасы)

Төмендегі сілтеме бойынша зиянды заттектердің кестесі келтірілген: [qr.hilti.com/r2937785](http://qr.hilti.com/r2937785).

RoHS кестесінің сілтемесі осы құжаттаманың соңында QR коды ретінде берілген.



► Кепілдік шарттары туралы сұрақтарыңыз болса, жергілікті Hilti серіктесіне жолығыңыз.

## オリジナル取扱説明書

### 1 取扱説明書について

#### 1.1 本取扱説明書について

- ご使用前にこの取扱説明書をすべてお読みください。このことは、安全な作業と問題のない取扱いのための前提条件となります。
- 本取扱説明書および製品に記載されている安全上の注意と警告表示に注意してください。
- 取扱説明書は常に製品とともに保管し、他の人が使用する場合には、製品と取扱説明書を一緒にお渡しください。

#### 1.2 記号の説明

##### 1.2.1 警告表示

警告表示は製品の取扱いにおける危険について警告するものです。以下の注意喚起語が使用されています：

##### 危険

危険！

- この表記は、重傷あるいは死亡事故につながる危険性がある場合に注意を促すために使われます。

##### 警告

警告！

- この表記は、重傷あるいは死亡事故につながる可能性がある場合に注意を促すために使われます。

##### 注意

注意！

- この表記は、身体の負傷あるいは物財の損傷が発生する可能性がある場合に使われます。

##### 1.2.2 取扱説明書の記号

この取扱説明書では、以下の記号が使用されています：

	取扱説明書に注意してください
	本製品を効率良く取り扱うための注意事項や役に立つ情報
	リサイクル可能な部品の取扱い
	電動工具およびバッテリーを一般ゴミとして廃棄してはなりません
	Hilti Li-Ion バッテリー
	Hilti 充電器

##### 1.2.3 図中の記号

図中では以下の記号が使用されています：

	この数字は本取扱説明書冒頭にある該当図を示しています。
	図中の付番は、重要な作業手順あるいは作業手順にとって重要なパーツであることを示しています。本文中ではこれらの作業手順またはパーツは、(3) のように当該の番号でハイライト表示されています。
	概要図には項目番号が付されていて、製品概要セクションの凡例の番号に対応しています。







この記号は、製品の取扱いの際に特に注意が必要なことを示しています。

### 1.3 製品により異なる記号

#### 1.3.1 記号

製品には以下の記号が使用されている場合があります：

$n_0$	無負荷回転数
---	直流
RPM	毎分回転数
$\varnothing$	直径
	ソーブレード
	本製品は、iOS および Android プラットフォームと互換性のある無線データ転送をサポートしています。
Li-Ion	Li-Ionen バッテリー
	使用されているHilti Li-Ion バッテリーのモデルシリーズ。正しい使用の章の記載に注意してください。
	バッテリーは決して打撃工具として使用しないでください。
	バッテリーは落下させないでください。ぶつかけたり、あるいはその他の理由で損傷しているバッテリーは使用しないでください。

### 1.4 製品情報

**HILTI** 製品はプロ仕様で製作されており、その使用、保守、修理を行うのは、認定を受けトレーニングされた人のみに限ります。これらの人は、遭遇し得る危険に関する情報を入手していなければなりません。製品およびアクセサリの使用法を知らない者による誤使用、あるいは規定外の使用は危険です。機種名および製造番号は銘板に表示されています。

▶ 製造番号を以下の表に書き写しておいてください。ヒルティ代理店やサービスセンターへお問い合わせの際には、製品データが必要になります。

#### 製品データ

サーキュラーソー	SC 70W-A22
製品世代	01
製造番号	

### 1.5 適合宣言

当社は、単独の責任において本書で説明している製品が有効な基準と標準規格に適合していることを宣言します。適合宣言書の複写は本書の末尾にあります。

技術資料は本書の後続の頁に記載されています：

Hilti Entwicklungsgesellschaft mbH | Zulassung Geräte | Hiltistraße 6 | 86916 Kaufering, DE

## 2 安全

### 2.1 電動工具の一般安全注意事項

**⚠ 警告事項** 本電動工具に付属のすべての安全上の注意、指示事項、図、および製品仕様をお読みください。以下の指示を守らないと、感電、火災および / または重傷事故の危険があります。

安全上の注意および指示事項が書かれた説明書はすべて大切に保管してください。

安全上の注意で使用する用語「電動工具」とは、お手持ちの電動ツール(電源コード使用)またはバッテリーツール(コードレス)を指します。



## 作業環境に関する安全

- ▶ 作業場はきれいに保ち、十分に明るくしてください。ちらかった暗い場所での作業は事故の原因となります。
- ▶ 爆発の危険性のある環境(可燃性液体、ガスおよび粉じんのある場所)では電動工具を使用しないでください。電動工具から火花が飛散し、粉じんや揮発性ガスに引火する恐れがあります。
- ▶ 電動工具の使用時、子供や無関係者を作業場へ近づけないでください。作業中に気がそらされると、本体のコントロールを失ってしまう恐れがあります。

## 電気に関する安全注意事項

- ▶ 電動工具の接続プラグは電源コンセントにきちんと適合しなければなりません。プラグは絶対に変更しないでください。保護接地した電動工具と一緒にアダプタープラグを使用しないでください。オリジナルのプラグと適切なコンセントを使用することにより、感電の危険を小さくすることができます。
- ▶ パイプ、ラジエーター、電子レンジ、冷蔵庫などのアースされた面に体の一部が触れないようにしてください。体が触れると感電の危険が大きくなります。
- ▶ 電動工具を雨や湿気から保護してください。電動工具に水が浸入すると、感電の危険が大きくなります。
- ▶ 電動工具を持ち運んだり、吊り下げたり、コンセントからプラグを抜いたりするときは、必ず本体を持ち、電源コードを持ったり引っ張ったりしないでください。電源コードを火気、オイル、鋭利な刃物、可動部等に触れる場所に置かないでください。電源コードが損傷したり絡まったりしていると、感電の危険が大きくなります。
- ▶ 屋外工事の場合には、必ず屋外専用の延長コードを使用してください。屋外専用の延長コードを使用すると、感電の危険が小さくなります。
- ▶ 湿った場所で電動工具を動作させる必要がある場合は、漏電遮断器を使用してください。漏電遮断器を使用すると、感電の危険が小さくなります。

## 作業者に関する安全

- ▶ 電動工具を使用の際は、油断せずに十分注意し、常識をもった作業をおこなってください。疲れている場合、薬物、医薬品服用およびアルコール飲用による影響下にある場合には電動工具を使用しないでください。電動工具使用中の一瞬の不注意が重傷の原因となることがあります。
- ▶ 個人用保護具および保護メガネを常に着用してください。負傷の危険を低減するために、電動工具の使用状況に応じた粉じんマスク、耐滑性の安全靴、ヘルメット、耳栓などの個人用保護具を着用してください。
- ▶ 電動工具の意図しない始動を防止して下さい。電動工具を電源および / またはバッテリーに接続する前や本体を持ち上げたり運んだりする前に、本体がオフになっていることを必ず確認してください。オン / オフスイッチが入っている状態で電動工具のスイッチに指を掛けたまま運んだり、電源に接続したりすると、事故の原因となる恐れがあります。
- ▶ 電動工具のスイッチを入れる前に、必ず調節キーやレンチを取り外してください。調節キーやレンチが本体の回転部に装着されたままでは、けがの原因となる恐れがあります。
- ▶ 作業中は不安定な姿勢をとらないでください。足元を安定させ、常にバランスを保つようにしてください。これにより、万一電動工具が異常状況に陥った場合にも、適切な対応が可能となります。
- ▶ 作業に適した作業着を着用してください。だぶだぶの衣服や装身具を着用しないでください。髪、衣服、手袋を本体の可動部に近づけないでください。だぶだぶの衣服、装身具、長い髪が可動部に巻き込まれる恐れがあります。
- ▶ 吸じんシステムの接続が可能な場合には、これらのシステムが適切に接続、使用されていることを確認してください。吸じんシステムを利用することにより、粉じん公害を防げます。
- ▶ 電動工具の取扱いに熟練している場合にも、正しい安全対策を遵守し、電動工具に関する安全規則を無視しないでください。不注意な取扱いは、ほんの一瞬で重傷事故を招くことがあります。

## 電動工具の使用および取扱い

- ▶ 無理のある使用を避けてください。作業用途に適した電動工具を使用してください。適切な電動工具の使用により、効率よく、スムーズかつ安全な作業が行えます。
- ▶ スwitchが故障している場合には、電動工具を使用しないでください。Switchで始動および停止操作のできない電動工具は危険ですので、修理が必要です。
- ▶ 本体の設定やアクセサリーの交換を行う前や本体を保管する前には電源プラグをコンセントから抜き、および / または脱着式のバッテリーを取り外してください。この安全処置により、電動工具の意図しない始動を防止することができます。
- ▶ 電動工具をご使用にならない場合には、子供の手の届かない場所に保管してください。電動工具に関する知識のない方、本説明書をお読みでない方による本体のご使用は避けてください。未経験者による電動工具の使用は危険です。
- ▶ 電動工具とアクセサリーは慎重に手入れしてください。可動部分が引っ掛かりなく正常に動作しているか、電動工具の運転に影響を及ぼす各部分が破損・損傷していないかを確認してください。電動工具をご使用になる前に、損傷部分の修理を依頼してください。事故の多くは保守管理の不十分な電動工具の使用が原因となっています。



- ▶ 先端工具は鋭利で汚れのない状態を保ってください。お手入れのゆきとどいた先端工具を使用すると、作業が簡単かつ、スムーズになります。
- ▶ 電動工具、アクセサリー、先端工具などは、それらの説明書に記載されている指示に従って使用してください。その際は、作業環境および用途についてもご注意ください。指定された用途以外に電動工具を使用すると危険な状況をまねく恐れがあります。
- ▶ グリップとグリップ面は乾燥した清潔な状態に保ち、オイルやグリスの付着がないようにしてください。グリップやグリップ面が滑りやすい状態になっていると、予期していない状況が発生した際に電動工具を安全に使用 / 制御できません。

#### バッテリー工具の使用および取扱い

- ▶ バッテリーを充電する場合は、必ずメーカー推奨の充電器を使用してください。特定タイプのバッテリー専用の充電器を他のバッテリーに使用すると、火災の恐れがあります。
- ▶ 電動工具には、必ず指定されたバッテリーを使用してください。指定以外のバッテリーを使用すると、負傷や火災の恐れがあります。
- ▶ 使用されていないバッテリーの近くに、事務用クリップ、硬貨、キー、釘、ネジ、その他の小さな金属物を置かないでください。電気接点の短絡が起ることがあります。バッテリーの電気接点間が短絡すると、火傷や火災が発生する危険があります。
- ▶ 正しく使用しないと、液漏れが発生することがあります。その場合、漏れた液には触れないでください。もしも触れてしまった場合は、水で洗い流してください。バッテリー液が眼に入った場合は、水で洗い流してから医師の診察を受けてください。流出したバッテリー液により、皮膚が刺激を受けたり火傷を負う恐れがあります。
- ▶ 損傷したあるいは変更が加えられたバッテリーは使用しないでください。損傷したあるいは変更が加えられたバッテリーは、予測不可能な挙動により爆発あるいは負傷事故を発生させる危険があります。
- ▶ バッテリーは火気あるいは高温に曝さないでください。火気あるいは 130 °C (265 °F) を超える高温は、爆発の原因となる可能性があります。
- ▶ 充電に関するすべての指示事項に従い、バッテリーあるいはバッテリー工具は、決して取扱説明書に記載された温度範囲外で充電しないでください。正しくない充電あるいは許容温度範囲外での充電により、バッテリーが破壊され火災が発生する危険があります。

#### サービス

- ▶ 電動工具の修理は必ず認定サービスセンターにお申し付けください。また、必ず純正部品を使用してください。これにより電動工具の安全性が確実に維持されます。
- ▶ 損傷したバッテリーは決して手入れや保守を行わないでください。バッテリーの保守作業はすべて、メーカーあるいは権限のあるお客様サービスセンターが行うものとします。

## 2.2 すべてのソーに対する安全上の注意

### 切断作業

- ▶ **△ 危険**：切断領域やソーブレード付近に手を差し出さないでください。片方の手で補助グリップまたはモーターハウジングを保持してください。両手でソーを保持すれば、ソーブレードで手を負傷することはありません。
- ▶ 作業材料の下側をつかましないでください。保護カバーは、作業材料の下側に出るソーブレードから手を保護することはできません。
- ▶ 切り込み深さを作業材料の厚さに合わせてください。作業材料の下に出る部分を歯の全高より小さくしてください。
- ▶ 切断する作業材料を手や足で支えないでください。作業材料は安定した支持具に固定してください。身体の一部が触れたり、ソーブレードが噛んだり、制御不能に陥ったりする危険を最小限に抑えるため、作業材料を正しく固定することは重要です。
- ▶ 隠れた電線に先端工具が接触する可能性のある作業を行う場合は、必ず電動工具の絶縁されたグリップのみを持つようにしてください。通電しているケーブルと接触すると、電動工具の金属部分にも電圧がかかり感電の危険があります。
- ▶ 縦切断の際には必ずストッパーまたはストレートエッジガイドを使用してください。これにより切断精度を高め、ソーブレードが噛む可能性を低減することができます。
- ▶ 常に適切な取り付け穴(星形または丸形など)の付いた正しいサイズのソーブレードを使用してください。ソーの取り付け部に合っていないソーブレードを使用すると、回転が不安定になったり、制御不能になったりする恐れがあります。
- ▶ ソーブレードワッシャー / スクリューが損傷していたり、適切でない場合、決してこれらを使用しないでください。ソーブレードワッシャー / スクリューは、最適な出力と作動安全性を確保するためにご使用のソー専用に製造されたものです。



## 反動 - 原因とそれに対する安全上の注意

- 反動は、ソーブレードが引っかかったり噛んだりしたときや、ソーブレードが正しく設置されていないときに起こる突然の反動動作で、制御不能になったソーが作業材料から浮き上がって作業者に向かって跳ね返ることがあります。
- ソーブレードが閉じたカットギャップで引っかかったり噛んだりすると、ソーブレードがブロックされ、モーター力でソーが作業者の方向に跳ね返ります。
- ソーブレードが切断時にずれたり正しく配置されていないと、後部のソーブレードエッジの歯が作業材料の表面に引っかかり、ソーブレードがカットギャップから外れて作業者の方に跳ね返ることがあります。

ソーの取り扱いが正しくないと、反動が生じます。反動は、以下に示すような適切な予防措置を取ることで防止することができます。

- ▶ ソーは両手でしっかりと支え、反力を受け止めることができるように腕を構えます。ソーブレードは必ず側部をつかみ、決してソーブレードが体のすぐ前にくることのないようにしてください。反動がある場合、サーキュラーソーは後方に跳ね返ることがありますが、適切な予防措置を講じていれば反力を抑えることができます。
- ▶ ソーブレードが噛んだ場合あるいは作業を中断する場合は、ソーをオフにしてソーブレードが停止するまでソーを静かに作業材料内に保持してください。ソーブレードが動いている間は、ソーを作業材料から離したり後方へ引いたりしないでください、そうしないと反動が発生する危険があります。ソーブレードが噛んでしまったことの原因を確認し、それを取り除いてください。
- ▶ 作業材料に挿入されているソーを再び作動させる場合は、ソーブレードをカットギャップの中央に配置し、歯が作業材料に引っかかっていないかチェックします。ソーブレードが噛んでいると、切断を再開したときにソーブレードが作業材料から飛び出たり、反動が発生する可能性があります。
- ▶ 噛んだソーブレードによる反動の危険を最小限に抑えるために、大型プレートは支持してください。大型プレートはそれ自身の重みでたわむことがあります。プレートは、カットギャップ付近と縁部の両側で支える必要があります。
- ▶ 切れ味の悪くなったソーブレードや損傷したソーブレードは使用しないでください。ソーブレードの歯の切れ味が悪い場合やソーブレードが正しく合っていない場合、カットギャップが狭くなりすぎて、摩擦が大きくなったり、ソーブレードの噛みや反動が起こります。
- ▶ 切断の前に、切り込み深さ調整および切り込み角度の調整を締め付けてください。切断中に調整が変化すると、ソーブレードが噛んだり反動が発生する可能性があります。
- ▶ 既存の壁やその他の見通しのきかない領域で切断を行う場合は特に注意してください。切断時に、押し込まれたソーブレードが隠れている対象物にブロックされ、跳ね返る可能性があります。

## 2.3 その他の安全上の注意

### 作業者に関する安全

- ▶ 本体の加工や改造は絶対に行わないでください。
- ▶ 本体は、常に両手でグリップを掴んでしっかりと保持してください。グリップ表面は乾燥させ、清潔に保ち、オイルやグリスで汚さないようにしてください。
- ▶ 耳栓を着用してください。騒音により、聴覚に悪影響が出る恐れがあります。
- ▶ 本体に集じん装置を取り付けていないで作業をする場合、作業される方は防じんマスクを着用しなければなりません。
- ▶ 本体は必ず付属の安全装置と共に使用してください。
- ▶ 休憩を取って緊張をほぐし、指を動かして血行を良くするように心がけてください。
- ▶ 本体は、体の弱い人が指示を受けずに使用するには向いていません。
- ▶ 本体は子供の手が届かないところに保管してください。
- ▶ 製品の電源は必ず作業場で入れてください。
- ▶ 本体を保管および搬送するときは、バッテリーを取り外してください。
- ▶ 製品を頭より上の高さで使用しないでください。
- ▶ ソーブレードを横に押し付けて製品を制動しないでください。
- ▶ 切断ライン上には障害物がないようにしてください。ソーブレードがねじや釘などに接触しないようにしてください。
- ▶ 本体作動中は、テンションフランジやテンションボルトに触れないでください。
- ▶ ソーブレードが回転しているときに、スピンドルロック用のプッシュボタンを押さないでください。
- ▶ 本体を人に向けてください。
- ▶ ソーブレードと加工する母材にフィード力を合わせ、ソーブレードがブロックされたり反動が起こらないようにします。
- ▶ 歯の先端が過熱しないようにしてください。
- ▶ プラスチックの切断の際は、プラスチックの溶解を防がねばなりません。



- ▶ 含鉛塗料、特定の種類の木材、コンクリート / 石材、石英を含む岩石、鉱物および金属などの母材から生じた粉じんは、健康を害する恐れがあります。作業者や近くにいる人が粉じんに触れたり吸い込んだりすると、アレルギー反応や呼吸器疾患を起こす可能性があります。カシヤブナ材などの特定の粉じんは、特に木材処理用の添加剤(クロム塩酸、木材保護剤)が使用されている場合、発ガン性があるとされています。アスベストが含まれる母材は、必ず専門家が取り扱うようにしてください。できるだけ集じん装置を使用してください。集じん効率を高めるには、適切な可動集じん装置を使用してください。必要に応じてそれぞれの粉じんに適した防塵マスクを着用してください。作業場の換気に十分配慮してください。処理する母材について、各国で効力を持つ規定を遵守してください。
- ▶ 作業開始前に、作業場で発生する粉じんの危険有害度を調査してください。公的に承認された保護等級および地域の粉じんに関する規定を満たした工業用集じん機を使用してください。
- ▶ 各国の労働安全衛生法に従ってください。

#### 電気に関する安全注意事項

- ▶ 作業を開始する前に、作業場に埋設された電線、ガス管や水道管がないかを金属探知機などで調査してください。例えば、作業中に誤って先端工具が電線に触れると、本体の金属部分とケーブルが通電する可能性があります。この場合、感電による重大な事故が発生する危険があります。

#### バッテリーの慎重な取扱いおよび使用

- ▶ Li-Ion バッテリーの搬送、保管、作動については特別規定を守ってください。
- ▶ バッテリーは高温と火気を避けて保管してください。爆発の恐れがあります。
- ▶ バッテリーを分解したり、挟んだり、80°C (176°F) 以上に加熱したり、燃やしたりしないでください。これを守らないと、火事、爆発、腐食の危険があります。
- ▶ 損傷したバッテリー(例えば亀裂や破損箇所があったり、電気接点曲がっていたり、押し戻されていたり、引き抜かれているバッテリー)は、充電することも、そのまま使用を続けることもできません。
- ▶ バッテリーを他の電気器具の電源用に使用しないでください。
- ▶ バッテリーがつかむことのできないほどに熱くなっている場合は、故障している可能性があります。本体を監視可能な火気のない場所に可燃性の資材から十分に距離をとって置き、バッテリーを冷ましてください。バッテリーを冷ました後、Hilti サービスセンターにご連絡ください。

## 2.4 サークュラーソーに関するその他の安全上の注意

- ▶ ハンドサーキュラーソーは、必ずスイッチをオンにした状態で作業材料に対して動かすようにしてください。
  - ▶ 切断ラインの上下に障害物がないようにしてください。ねじ、ネイル、あるいはこれに類するものを切断しないでください。
- ▶ サークュラーソーを頭より高い位置で使用しないでください。
- ▶ ソープレードは、決して側方へと押し当てて制動させないでください。
- ▶ 歯の先端が過熱しないようにしてください。
- ▶ 常に切断対象物に適合したソープレードを使用してください。
- ▶ 必ず EN 847-1 規格に準拠したHilti純正のソープレードを使用してください。

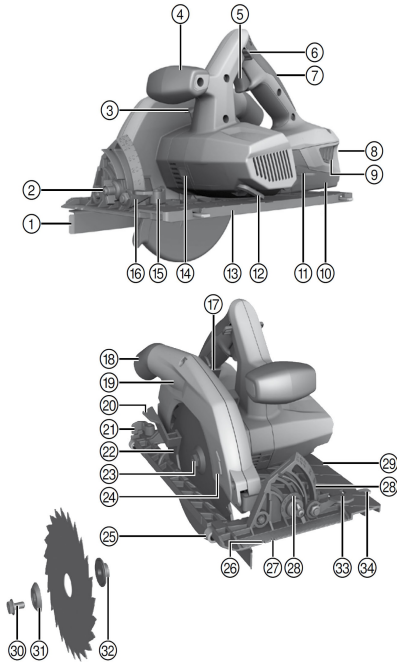
## 2.5 バッテリーの慎重な取扱いおよび使用

- ▶ Li-Ion バッテリーの搬送、保管、作動については特別規定を守ってください。
- ▶ バッテリーは高温、直射日光および火気を避けて保管してください。
- ▶ バッテリーを分解したり、挟んだり、80 °C (176°F) 以上に加熱したり、燃やしたりしないでください。
- ▶ 衝撃を受けたことのあるバッテリー、1 m を超える高さから落下したことのあるバッテリー、あるいはその他の損傷を被っているバッテリーを使用あるいは充電しないでください。この場合には、必ず最寄りのHilti サービスセンターにご連絡ください。
- ▶ バッテリーが掴むことのできないほどに熱くなっている場合は、故障している可能性があります。バッテリーを、目視確認が可能で可燃物のない場所に、可燃性の資材から十分な距離を設けて置いてください。バッテリーを冷ます。1 時間の経過後にも掴むことのできないほどに熱い場合は、そのバッテリーは故障している可能性があります。Hilti サービスセンターに連絡してください。



### 3 製品の説明

#### 3.1 製品概要 1



- ① 1 アーム平行ストッパー
- ② 切り込み角度の初期設定(22.5°、45°、50°)
- ③ スピンドルロックボタン
- ④ 補助グリップ
- ⑤ ON/OFF スイッチ
- ⑥ スイッチオンロック
- ⑦ グリップ
- ⑧ 充電状態および故障インジケータ (Li-Ion バッテリー)
- ⑨ 追加機能(充電状態インジケータ作動) 付き リリースボタン
- ⑩ バッテリー
- ⑪ 切り込み深さ設定用リリースレバー
- ⑫ アレンレンチ
- ⑬ 小型ベースプレート
- ⑭ LED ランプ
- ⑮ 前方平行ストッパー用リリースレバー
- ⑯ 切り込み角度設定用リリースレバー
- ⑰ 切り込み深さスケール
- ⑱ 接続ピース(切り肩ダクト)
- ⑲ 保護カバー
- ⑳ 振動防止カバーの操作レバー
- ㉑ 後方平行ストッパー用リリースレバー(大型ベースプレートに対してのみ)
- ㉒ 振動防止カバー
- ㉓ 駆動スピンドル
- ㉔ 回転方向矢印
- ㉕ 2 アーム平行ストッパー
- ㉖ 切り込みマーク 0°
- ㉗ 切り込みマーク 45°
- ㉘ 切り込み角度スケール
- ㉙ 大型ベースプレート
- ㉚ テンションボルト
- ㉛ テンションフランジ
- ㉜ サポートフランジ
- ㉝ ベースプレート溝マーク 0°
- ㉞ ベースプレート溝マーク 1°...50°

#### 3.2 ガイドレールアダプター 2

- ⑳ 後方固定フレーム
- ㉑ 前方固定フレーム
- ㉒ 溝マーク 0°
- ㉓ 溝マーク 1°...50°

#### 3.3 正しい使用

本書で説明している製品は充電式サーキュラーソーです。本製品は、木材、木製の母材、プラスチック、石膏、ファイバーボード、複合材の切断に使用するものです。

ハンドサーキュラーソーには、オプションの集じん機 / 吸じん装置用の取り外し可能な接続ピースが装備されています。これは市販の集じん機ホースに対応しています。吸じんホースをソーと接続するために、適切なアダプターが必要になる場合があります。

- ▶ 規定の特性データ(直径、全負荷回転数、厚さなど)に適合しないソーブレードや、カットオフおよび研磨ディスク、また高合金高速度鋼(HSS 鋼)製ソーブレードを使用してはなりません。金属の切断は行えません。



- ▶ 本製品は木の枝や丸太の切断に使用しないでください。
- ▶ 本製品には、必ずHiltiのB 22シリーズのLi-Ionバッテリーを使用してください。
- ▶ これらのバッテリーには、必ずHiltiのC4/36シリーズの充電器を使用してください。

### 3.4 Li-Ionバッテリーのインジケータ

Li-Ionバッテリーの充電状態および本体の不具合は、Li-Ionバッテリーのインジケータにより表示されます。Li-Ionバッテリーの充電状態は、2つのバッテリーリリースボタンのいずれかを押すと表示されます。

状態	意味
4個のLEDが点灯。	充電状態：75%...100%
3個のLEDが点灯。	充電状態：50%...75%
2個のLEDが点灯。	充電状態：25%...50%
1個のLEDが点灯。	充電状態：10%...25%
1個のLEDが点滅、本体は作動可能状態。	充電状態：< 10%
1個のLEDが点滅、本体は作動不能状態。	バッテリーが過熱あるいは完全に放電している。
4個のLEDが点滅、本体は作動不能状態。	本体の過負荷あるいは過熱。

**i** コントロールスイッチの操作中、およびこのスイッチから指を放してから5秒が経過するまでの間は、充電状態を確認することはできません。  
バッテリーのインジケータのLEDが点滅している場合は、「故障時のヒント」の章の注意事項を確認してください。

### 3.5 平行ストッパー

シングルアームの平行ストッパーにより、作業材料エッジに沿った正確な切断または同じ寸法のストリップの切断が可能です。

平行ストッパーはベースプレートの両側に取り付けることができます。

### 3.6 本体標準セット構成

サーキュラソー、ソーブレード、アレンレンチ、平行ストッパー、集じん機用接続ピース、取扱説明書(オプション：ガイドレールアダプター)。

**i** 本製品向けに弊社が承認したスペアパーツ、消耗品およびアクセサリは、弊社営業担当またはHilti Storeにお問い合わせいただくか、あるいは[www.hilti.group](http://www.hilti.group)でご確認ください。

### 3.7 アクセサリ

テンションフランジ、サポートフランジ、テンションボルト。

## 4 製品仕様

### 4.1 サーキュラソー

	SC 70W-A22
定格電圧	21.6 V
重量(EPTA プロシージャ 01 に準拠)	4.8 kg
規定ソーブレード直径	190 mm
メインブレード厚	0.7 mm ... 1.5 mm
切り込み幅	1.5 mm ... 2 mm
ソーブレードの取り付け穴	30 mm
定格無負荷回転数	3,500/min
最大切り込み深さ 0°	70 mm
最大切り込み深さ 45°	51 mm
最大切り込み深さ 50°	45 mm
斜めカット角度	0° ... 50°



	SC 70W-A22
動作温度	-10 °C ... 50 °C
保管温度(バッテリーを装着していない状態)	-30 °C ... 70 °C

#### 4.2 バッテリー

バッテリー作動電圧	21.6 V
作動時の周囲温度	-17 °C ... 60 °C
保管温度	-20 °C ... 40 °C
充電開始時のバッテリー温度	-10 °C ... 45 °C

#### 4.3 騒音および振動値について(EN 62841 準拠)

本説明書に記載されているサウンドプレッシャー値および振動値は、規格に準拠した測定方法に基づいて測定したものです。電動工具を比較するのにご使用いただけます。曝露値の暫定的な予測にも適しています。記載されているデータは、電動工具の主要な使用方法に対する値です。電動工具を他の用途で使用したり、異なる先端工具を取り付けて使用したり、手入れや保守が十分でないまま使用した場合には、データが異なることがあります。このような相違により、作業時間全体で曝露値が著しく高くなる可能性があります。曝露値を正確に予測するためには、本体のスイッチをオフにしている時間や、本体が作動していても実際には使用していない時間も考慮しなければなりません。このような相違により、作業時間全体で曝露値が著しく低くなる可能性があります。作業者を騒音および / または振動による作用から保護するために、他にも安全対策を立ててください(例：電動工具および先端工具の手入れや保守、手を冷やさないようにする、作業手順の編成)。

##### 騒音排出値、EN 62841 準拠

	SC 70W-A22
サウンドパワーレベル ( $L_{WA}$ )	103 dB(A)
サウンドパワーレベルの不確実性 ( $K_{WA}$ )	3 dB(A)
サウンドプレッシャーレベル ( $L_{pA}$ )	92 dB(A)
サウンドプレッシャーレベルの不確実性 ( $K_{pA}$ )	3 dB(A)

##### 合計振動値(3方向のベクトル合計)、EN 62841 準拠

	SC 70W-A22
排出振動値 木材切断 ( $A_{n, w}$ )	0.93 m/s <sup>2</sup>
不確実性 (K)	1.5 m/s <sup>2</sup>

## 5 ご使用方法

### 5.1 作業準備

#### 5.1.1 バッテリーを充電する

1. 充電の前に充電器の取扱説明書をお読みください。
2. バッテリーと充電器の電気接点は汚れがなく、乾燥していることを確認してください。
3. バッテリーは許可された充電器で充電してください。 248

#### 5.1.2 バッテリーを装着する

##### 警告

負傷の危険 短絡あるいはバッテリーの落下！

- ▶ バッテリーを装着する前に、バッテリーの電気接点と製品の電気接点に異物がないことを確認してください。
- ▶ バッテリーが正しくロックされていることを常に確認してください。

1. はじめてお使いになる前にバッテリーをフル充電してください。
2. ロックの音が聞こえるまでバッテリーを製品へとスライドさせます。
3. バッテリーがしっかりと装着されていることを確認してください。





### 5.1.3 バッテリーを取り外す

1. バッテリーのリリースボタンを押します。
2. 本体からバッテリーを抜き取ります。

### 5.1.4 ソーブレードを取り外す ③



**警告**

ソーブレード、テンションボルトおよびテンションフランジでの火傷および切断の危険 火傷および切創事故の原因となることがあります。

▶ 先端工具の交換時には、保護手袋を着用してください。

1. バッテリーを取り外します。
2. ソーブレードのテンションボルトにアレンレンチを取り付けます。
3. スピンドルロックボタンを押して、その状態を保ちます。
4. アレンレンチでソーブレードのテンションボルトを回し、スピンドルロックボタンを完全にかみ合わせます。
5. アレンレンチを使用して回転方向矢印の方向に回してテンションボルトを緩めます。
6. テンションボルトと外側のテンションフランジを取り外します。
7. 振動防止カバーを開いて、ソーブレードを外します。



必要に応じて清掃のためにサポートフランジを取り外すことができます。

### 5.1.5 ソーブレードを取り付ける ④



**注意**

損傷の危険！ 不適切なソーブレードを使用したり、あるいはソーブレードが正しく装着されていないとソーを損傷させる可能性があります。

- ▶ 必ず本サーキュラーソーに適したソーブレードを使用してください。ソーブレード上の回転方向矢印に注意してください。
- ▶ 必ず許容回転数が本製品に表記されている最高回転数以上のソーブレードを使用してください。



取り付けるソーブレードが技術的な要求を満たし、よく切れることを確認してください。鋭いソーブレードは正常な切断の前提条件です。

1. バッテリーを取り外します。
2. サポートフランジとテンションフランジを清掃します。
3. サポートフランジを正しい方向で駆動スピンドルに取り付けます。
4. 振動防止カバーを開きます。
5. 新しいソーブレードを取り付けます。
6. 外側のテンションフランジを正しい方向に取り付けます。
7. テンションボルトを取り付けます。
8. ソーブレードのテンションボルトにアレンレンチを取り付けます。
9. スピンドルロックボタンを押します。
10. アレンレンチを使用してテンションボルトを回転方向矢印と反対の方向に回してテンションフランジを固定します。
  - ▶ スピンドルロックボタンがロックします。
11. ご使用前に、ソーブレードがしっかり正しく固定されているか点検してください。

### 5.1.6 切り込み深さを調整する ⑤

1. バッテリーを取り外します。
2. 切り込み深さ設定用リリースレバーを緩めてください。
3. 製品を斜めに動かして持ち上げ、リリースレバーを締め付けて切り込み深さを調整します。



切り込み深さの調整値は常に、切断する材料の厚さより約 5...10 mm 大きくしてください。保護カバーの背面にある目盛りと指針により、調整した深さを確認できます。



### 5.1.7 切り込み角度を調整する

1. バッテリーを取り外します。
2. 切り込み角度設定用リリースレバーを緩めてください。
3. 製品を希望の位置に旋回させます。

切り込み角度の初期設定は、最大角度 22.5° / 45° / 50° の設定を容易にします。

4. 切り込み角度設定用リリースレバーを締め付けてください。

### 5.1.8 ポインターに基づく切断

サーキュラーソーの前方ベースプレートには、直線切断および斜め切断用のポインター (0° および 45°) があります。これにより、選択した切り込み角度に応じて精度の高い切断を行うことができます。ポインターエッジはソーブレードの内側に相当します。ソーブレードの前方の切欠き部にポインターがあります。

作業材料を動かないように固定します。ソーブレードが作業材料の下で自由に回転できるように、作業材料を配置してください。製品の ON/OFF スイッチがオフになっていることを確認してください。製品とベースプレートを作業材料上に置きます。その際、ソーブレードがまだ作業材料と接触しないようにしてください。

1. バッテリーを装着します。
2. スイッチオンロックを押した状態で ON/OFF スイッチを押して製品をオンにします。
3. 製品を適切な作業速度に合わせ、ポインターに沿って作業材料を切断します。

### 5.1.9 平行ストッパーを取り付ける / 調整する

1. バッテリーを取り外します。
2. クランピングスクリューをベースプレートにねじ込みます、ただし平行ストッパーを押し込むのに十分なスペースを確保してください。
3. 平行ストッパーのガイドをクランピングスクリューの下に入れます。
4. ご希望の切断幅を設定します。
5. クランピングスクリューを締め付けます。

平行ストッパー (1 アーム / 2 アーム) はベースプレートの両側に取り付けることができます。2 アーム平行ストッパーは大型ベースプレートに対してのみ使用できます。平行ストッパーにより、作業材料エッジに沿った正確な切断または同じ寸法のストリップの切断が可能です。

### 5.1.10 ガイドレールアダプターの取付け

ソーにガイドレールアダプター (オプション) を装備することができます。小型ベースプレートを取り付けて切断を行う場合には、ガイドレールに適したガイドレールアダプターを使用してください。

1. バッテリーを取り外します。
2. 平行ストッパーが取り付けられている場合には、これを取り外します。
3. ベースプレートをガイドレールアダプターの側方固定フレームに差し込みます。
4. ベースプレートを完全にガイドレールアダプターに装着します。
5. 2 つのスライダーをストップ位置まで押し込んでガイドレールアダプターをロックします。

## 5.2 作業

### 5.2.1 スイッチオン

- ▶ スイッチオンロックを押した状態で ON/OFF スイッチを押して製品をオンにします。

### 5.2.2 スイッチオフ

- ▶ ON/OFF スイッチを放して本体を停止させます。



### 5.2.3 0°での縦切断 10

1. 「0°」の溝マークを利用して、サーキュラーソーをガイドレールのフレームに合わせます。
2. スイッチオンロックを押した状態で ON/OFF スイッチを押して製品をオンにします。
3. 製品を適切な作業速度に合わせ、レールに沿って作業材料を切断します。

### 5.2.4 50°以下での縦切断 11

1. 角度を調整します。

#### 警告

斜め切断時の衝突の危険！ ソーブレードとガイドレールとの衝突。

- ▶ 正しい溝を利用して、ソーをガイドレールのフレームに合わせます。そうしないと、ソーブレードがガイドレールと衝突する可能性があります。

2. 「1°...50°」の溝マークを利用して、ソーをガイドレールのフレームに合わせます。
3. スイッチオンロックを押した状態で ON/OFF スイッチを押して製品をオンにします。
4. 製品を適切な作業速度に合わせ、レールに沿って作業材料を切断します。

### 5.2.5 フラットな斜め切断 12

1. ガイドレールのゼロポイントを作業材料のエッジに合わせ、角度スケール上の希望の角度がゼロポイントになるようにレールを回転させます。表示された切り込み角度は、ストレートの直角切断からずれる角度を示します。
2. ガイドレールを2個のバイスで固定します。
3. 「0°」の溝マークを利用して、サーキュラーソーをガイドレールのフレームに合わせます。
4. スイッチオンロックを押した状態で ON/OFF スイッチを押して製品をオンにします。
5. 製品を適切な作業速度に合わせ、レールに沿って作業材料を切断します。

### 5.2.6 吸じん機能なしのソー

1. 切り屑の排出が妨げられないことを確認してください。
2. 必要に応じて製品に備え付けのアレンレンチを使用してアレンスクリューを開き、接続ピースを保護カバーから取り外すことができます。

## 6 手入れと保守

#### 警告

バッテリーを装着した状態における負傷の危険！

- ▶ 手入れや保守作業の前に必ずバッテリーを取り外してください！

#### 製品の手入れ

- 付着した汚れを慎重に除去してください。
- 汚れが付着している場合は、通気溝を乾いた柔らかいブラシを使用して慎重に掃除してください。
- 必ず少し湿した布でハウジングを拭いてください。シリコンを含んだ磨き粉はプラスチック部品をいためる可能性があるため使用しないでください。
- 本製品の電気接点を清掃するには、清潔な乾いた布を使用してください。

#### Li-Ion バッテリーの手入れ

- 通気溝が詰まっているバッテリーは決して使用しないでください。通気溝を乾いた柔らかいブラシを使用して慎重に掃除してください。
  - バッテリーを不必要に粉じんや汚れに曝さないようにしてください。バッテリーは、決して高い湿度に曝さないでください(例：水中に沈める、あるいは雨中に放置する)。
  - 水分が浸入したバッテリーは、損傷したものとして取り扱ってください。そのようなバッテリーは不燃性の容器に隔離し、Hilti サービスセンターにご連絡ください。
  - バッテリーには、本製品に使用しているのではないオイルやグリスが付着しないようにしてください。バッテリーに不必要な粉じんあるいは汚れが堆積しないようにしてください。バッテリーは、乾いた柔らかいブラシまたは乾いた布で清掃してください。シリコンを含んだ磨き粉はプラスチック部品をいためる可能性があるため使用しないでください。
- バッテリーの電気接点に手を触れないでください、また、工場出荷時に塗布されているグリスを電気接点からぬぐい取らないでください。
- 必ず少し湿した布でハウジングを拭いてください。シリコンを含んだ磨き粉はプラスチック部品をいためる可能性があるため使用しないでください。



## 保守

 警告

感電による危険！ 電気部品の誤った修理は、重傷事故および火傷の原因となることがあります。

▶ 電気部品の修理を行うことができるのは、訓練された修理スペシャリストだけです。

- 目視確認可能なすべての部品については損傷の有無を、操作エレメントについては問題なく機能することを定期的に点検してください。
- 損傷および/または機能に問題のある場合は、本製品を使用しないでください。速やかにHilti サービスセンターに本製品の修理を依頼してください。
- 手入れおよび保守作業の後は、すべての安全機構を取り付けて、それらが問題なく作動するか点検してください。

 安全な作動のために、必ず純正のスペアパーツ、消耗品、アクセサリを使用してください。本製品向けにHilti が承認したスペアパーツ、消耗品およびアクセサリは、弊社営業担当またはHilti Store お問い合わせいただくか、あるいは[www.hilti.group](http://www.hilti.group) でご確認ください。

### 6.1 安全機構の清掃

1. 安全機構を清掃するためにソーブレードを取り外します。
2. 安全機構を乾いたブラシを使用して注意深く掃除してください。
3. 安全機構内部の塵埃の堆積や切り屑は適切な工具を使用して除去してください。
4. ソーブレードを取り付けます。

### 6.2 切り屑ダクトが詰まった場合の作業手順


1. バッテリーを取り外します。
2. 切り屑ダクトを清掃します。



場合によっては、ソーブレードを取り外す必要があります。 251

3. 本体の可動部分が引っ掛かりなく正常に作動しているか、製品の運転に影響を及ぼす各部分が破損・損傷していないかを確認してください。

### 6.3 手入れと保守を行った後の点検

 手入れ、保守の作業を済ませた後は、すべての安全機構が取り付けられ、正常に作動するか点検してください。

- ▶ 振動防止カバーをチェックするには、操作レバーにより振動防止カバーを完全に開きます。
  - ▶ 操作レバーから手を放した後、振動防止カバーは素早くかつ完全に閉じなければなりません。

## 7 搬送および保管

### バッテリー工具およびバッテリーの搬送

 注意

搬送時の予期しない始動！

▶ お使いの製品は、必ずバッテリーを装着していない状態で搬送してください！

- ▶ バッテリーを取り外してください。
- ▶ バッテリーは決して梱包しない状態で搬送しないでください。搬送中のバッテリーは、他のバッテリー電極と接触して短絡の原因となることを防ぐために、過大な衝撃や振動から保護し、あらゆる導電性の物体あるいは他のバッテリーから隔離する必要があります。バッテリーの搬送に関する各国(地域)の規則を遵守してください。
- ▶ バッテリーは郵送しないでください。損傷していないバッテリーを送付する場合は、運送業者を手配してください。
- ▶ 使用の前にその都度、また長距離の搬送の前後には、製品とバッテリーに損傷がないか点検してください。



## バッテリー工具およびバッテリーの保管

### 警告

故障したあるいは液漏れしたバッテリーによる予期しない損傷！

- ▶ お使いの製品は、必ずバッテリーを装着していない状態で保管してください！
- 
- ▶ 製品とバッテリーは涼しくて乾燥した場所に保管してください。製品仕様に記載されている温度の限界値に注意してください。
  - ▶ バッテリーは充電器内で保管しないでください。充電の後は、必ずバッテリーを充電器から取り出してください。
  - ▶ バッテリーを太陽の直射下、熱源の上、窓際等で保管しないでください。
  - ▶ 製品およびバッテリーは、子供や権限のない人が手を触れることのないようにして保管してください。
  - ▶ 使用の前にその都度、また長期にわたる保管の前には、製品とバッテリーに損傷がないか点検してください。

## 8 故障時のヒント

- ▶ この表に記載されていない、あるいはご自身で解消することのできない故障が発生した場合には、弊社営業担当またはHilti サービスセンターにご連絡ください。

### 8.1 サーキュレーターは作動不能状態

故障	考えられる原因	解決策
LED 表示がない。	バッテリーが完全に装着されていない。	▶ バッテリーを装着します。
	バッテリーが放電している。	▶ バッテリーを充電します。
	バッテリーの温度が高すぎる、または低すぎる。	▶ バッテリーを適切な温度まで冷やす / 暖める。
1 個の LED が点滅。	バッテリーが放電している。	▶ バッテリーを充電します。
	バッテリーの温度が高すぎる、または低すぎる。	▶ バッテリーを適切な温度まで冷やす / 暖める。
4 個の LED が点滅。	サーキュレーターの短時間の過負荷。	▶ ON/OFF スイッチから指を放し、改めてスイッチを操作する。
	過熱保護機構が作動した。	▶ サーキュレーターを冷まし、通気溝を清掃する。

### 8.2 サーキュレーターは作動可能状態

故障	考えられる原因	解決策
ON/OFF スイッチが押せない、あるいは動かない。	故障ではない(安全機能)。	▶ スイッチオンロックを押す。
回転数が突然落ちる。	バッテリーが放電している。	▶ バッテリーを充電します。
	フィード力が過大。	▶ フィード力を低減し、製品を再びオンにする。
切り屑が切り屑容器へと送られずにベアスプレートへと落下する。	切り屑容器が満杯。	▶ 切り屑容器を空にする。
	切り屑ダクトの詰まり。	▶ 切り屑ダクトを清掃します。 254
ソーブレードが停止したまま動かない。	フィード力が過大。	▶ フィード力を低減し、製品を再びオンにする。
バッテリーの消耗が通常よりも早い。	バッテリーの状態が好ましくない。	▶ バッテリーを交換する。
バッテリーが「カチカチ」と音がするまでロックされない。	バッテリーのロックノッチが汚れている。	▶ ロックノッチを清掃して、バッテリーをロックする。問題が再発する場合は、Hilti サービスセンターに連絡する。



故障	考えられる原因	解決策
サーキュラーソーあるいはバッテリーが熱くなる。	電氣的故障	▶ サーキュラーソーを直ちにオフにする。バッテリーを取り外して観察する。バッテリーを冷ます。Hilti サービスセンターに連絡する。
	製品に負荷がかかり過ぎている(適用基準を超えている)。	▶ 用途に適した本体を選択する。
ソーが激しく振動する	ソーブレードが正しく取り付けられていない	▶ ソーブレードを正しく取り付けろ。 251

## 9 廃棄

### 警告

誤った廃棄による負傷の危険！ 漏出するガスあるいはバッテリー液により健康を損なう危険があります。

- ▶ 損傷したバッテリーを送付しないでください！
- ▶ 短絡を防止するために接続部を非導電性のもので覆ってください。
- ▶ バッテリーは子供が手を触れることのないように廃棄してください。
- ▶ バッテリーの廃棄は、最寄りのHilti Store あるいは適切な廃棄物処理業者に依頼してください。

Hilti 製品の大部分の部品はリサイクル可能です。リサイクル前にそれぞれの部品は分別して回収されなければなりません。多くの国でHilti は、古い工具をリサイクルのために回収しています。詳細については弊社営業担当またはHilti 代理店・販売店にお尋ねください。



- ▶ 電動工具、電子機器およびバッテリーを一般ゴミとして廃棄してはなりません！

## 10 RoHS (有害物質使用制限に関するガイドライン)

下記のリンクより、有害物質を記載した表を確認できます： [qr.hilti.com/r2937785](http://qr.hilti.com/r2937785)。

本書の最終ページに RoHS 表にリンクした QR コードがあります。

## 11 メーカー保証

- ▶ 保証条件に関するご質問は、最寄りのHilti 代理店・販売店までお問い合わせください。

# 오리지널 사용 설명서

## 1 사용 설명서 관련 정보

### 1.1 본 사용 설명서에 관하여

- 처음 이 제품을 사용하기 전에 본 사용 설명서를 읽으십시오. 안전하게 작업하고 문제 없이 취급하기 위한 전제가 됩니다.
- 본 사용 설명서 및 제품에 나와 있는 안전상의 주의사항 및 경고 지침에 유의하십시오.
- 항상 제품에 있는 사용 설명서를 잘 보관하고 제품은 반드시 본 사용 설명서와 함께 다른 사람에게 전달하십시오.

### 1.2 기호 설명

#### 1.2.1 경고사항

본 제품을 다루면서 발생할 수 있는 위험에 대한 경고사항. 다음과 같은 시그널 워드가 사용됩니다.

### 위험

위험!

- ▶ 이 기호는 직접적인 위험을 표시합니다. 만약 지키지 않으면 심각한 부상을 당하거나 사망할 수도 있습니다.



### ⚠ 경고

경고!

- ▶ 이 기호는 잠재적인 위험을 표시합니다. 만약 지키지 않으면 심각한 부상을 당하거나 사망할 수도 있습니다.

### ⚠ 주의

주의!

- ▶ 이 기호는 잠재적인 위험 상황을 표시합니다. 만약 지키지 않으면 부상 또는 물적 손실을 입을 수 있습니다.

#### 1.2.2 사용 설명서에 사용된 기호

본 사용 설명서에서 사용되는 기호는 다음과 같습니다.

	사용 설명서에 유의하십시오
	적용 지침 및 기타 유용한 사용정보
	재사용이 가능한 자재 취급방법
	전기 기기 및 배터리를 일반 가정의 쓰레기처럼 폐기해서는 안 됨
	Hilti 리튬 이온 배터리
	Hilti 충전기

#### 1.2.3 그림에 사용된 기호

다음과 같은 기호가 그림에 사용됩니다.

	이 숫자는 본 사용 설명서 첫 부분에 있는 해당 그림을 나타냅니다.
3	그림에 매겨진 번호는 중요한 작업 순서 또는 작업 순서에 중요한 부품을 나타냅니다. 텍스트에 해당 작업 순서 또는 해당 번호가 매겨진 부품이 강조 표시됩니다(예: <b>(3)</b> ).
	항목 번호는 개요 그림에서 사용되며 제품 개요 단락에 나와 있는 기호 설명 번호를 나타냅니다.
	이 표시는 제품을 다룰 때, 특별히 주의할 사항을 나타냅니다.

### 1.3 제품 관련 기호

#### 1.3.1 기호

제품에 사용되는 기호는 다음과 같습니다.

$n_0$	무부하 회전 속도
	직류
RPM	분당 회전수
$\emptyset$	직경
	톱날
	본 제품은 무선 데이터 전송을 지원하며, iOS 및 Android 플랫폼과 호환 가능합니다.
Li-Ion	리튬이온 배터리
	사용한 Hilti 리튬이온 배터리 모델 시리즈. 규정에 맞는 사용 단원에 제시된 내용에 유의하십시오.
	배터리는 절대 타격 공구로 사용해서는 안 됩니다.





배터리를 떨어뜨리지 마십시오. 타격을 받은 적이 있거나 다른 손상이 있는 배터리는 사용하지 마십시오.

## 1.4 제품 정보

제품은 전문가용으로 설계되어 있으며, 해당 교육을 이수한 공인된 작업자를 통해서만 조작, 유지 보수 및 수리 작업을 진행할 수 있습니다. 이 기술자는 발생할 수 있는 위험에 대해 특별 교육을 받은 상태여야 합니다. 교육을 받지 않은 사람이 제품을 부적절하게 취급하거나 규정에 맞지 않게 사용할 경우에는 기기와 그 보조기구에 의해 부상을 당할 위험이 있습니다.

형식 명칭 및 일련 번호는 형식 라벨에 제시되어 있습니다.

▶ 일련 번호를 다음의 표에 옮기십시오. 대리점 또는 서비스 센터에 문의할 경우 제품 재원이 필요합니다.

제품 재원

원형톱	SC 70W-A22
세대	01
일련 번호	

## 1.5 적합성 선언

퍼사는 전적으로 책임을 지고 여기에 기술된 제품이 통용되는 기준과 규격에 일치함을 공표합니다. 적합성 증명서 사본은 본 문서 끝 부분에서 확인할 수 있습니다.

기술 문서는 이곳에 기술되어 있습니다.

Hilti Entwicklungsgesellschaft mbH | Zulassung Geräte | Hiltistraße 6 | 86916 Kaufering, DE

## 2 안전

### 2.1 전동 공구에 대한 일반적인 안전상의 주의사항

경고 해당 전동 공구와 함께 동봉된 모든 안전상의 주의 사항, 지침, 그림 및 기술자료를 숙지하십시오. 다음과 같은 지침 내용을 준수하지 않으면 전기 충격, 화재가 발생하거나 그리고/또는 중상을 입을 수 있습니다. 앞으로 모든 안전상의 주의사항과 지침을 보관하십시오.

안전상의 주의사항에서 사용되는 "전동 공구"라는 개념은 전원에 연결하여 사용하는 전동 공구(전원 케이블 있음) 또는 배터리를 사용하는 전동 공구(전원 케이블 없음)를 의미합니다.

작업장 안전수칙

- ▶ 작업장을 항상 깨끗이 하고 조명이 잘 들도록 하십시오. 어수선한 작업환경 또는 어두운 작업장은 사고를 초래할 수 있습니다.
- ▶ 인화성 액체, 가스 또는 먼지가 있어 폭발 위험이 있는 환경에서는 전동 공구를 사용하지 마십시오. 전동 공구는 먼지나 증기를 점화시킬 수 있는 스파크를 일으킵니다.
- ▶ 전동 공구를 사용할 때, 어린이들이나 다른 사람들이 작업장에 접근하지 못하도록 하십시오. 다른 사람의 방해로 인해 기기를 통제하기 어렵습니다.

전기에 관한 안전수칙

- ▶ 전동 공구의 전원 플러그가 소켓에 잘 끼워져야 합니다. 플러그를 절대 변형시켜서는 안됩니다. 접지된 전동 공구와 함께 아답타 플러그를 사용하지 마십시오. 변형되지 않은 플러그와 적합한 소켓을 사용하면 감전의 위험을 줄일 수 있습니다.
- ▶ 파이프, 히터, 전기레인지, 냉장고와 같은 접지 표면에 신체 접촉을 피하십시오. 신체에 닿을 경우 감전될 위험이 높습니다.
- ▶ 전동 공구가 비에 맞지 않도록 하고 습한 장소에 두지 마십시오. 전동 공구에 물이 들어가면 감전될 위험이 높습니다.
- ▶ 전원 케이블만 잡고 전동 공구를 운반하거나 걸어 놓아서는 안되며, 소켓에서 전원 플러그를 빼낼 때 케이블만 잡은 채로 빼내지 마십시오. 전원 케이블이 열, 오일, 날카로운 모서리 또는 부품의 가동 부위에 접촉하지 않도록 주의하십시오. 손상되거나 서로 꼬인 전원 케이블은 감전 위험을 높입니다.
- ▶ 실외에서 전동 공구를 이용하여 작업할 때, 실외용으로 승인된 연장 케이블만 사용하십시오. 실외용 연장 케이블을 사용하면 감전의 위험을 줄여줍니다.
- ▶ 전동 공구를 습한 환경에서 사용하는 것을 피할 수 없을 경우, 누전 차단기를 사용하십시오. 누전 차단기를 사용하면 감전 위험을 줄일 수 있습니다.

사용자 안전수칙

- ▶ 신중하게 작업하십시오. 작업에 정신을 집중하고 전동 공구를 사용할 때 경솔하게 행동하지 마십시오. 피곤하거나 항정신성 약물, 술 또는 약물 복용시에는 전동 공구를 사용하지 마십시오. 전동 공구 사용 시 이에 유의하지 않을 경우 심각한 부상을 초래할 수 있습니다.





- ▶ 안전 장비를 갖추고 보안경을 착용하십시오. 전동 공구의 종류와 사용에 따라, 먼지 보호 마스크, 미끄럼 방지용 안전 신발, 안전모 또는 귀마개 등과 같은 안전한 보호장비를 착용하면 부상의 위험을 줄일 수 있습니다.
- ▶ 실수로 기기가 작동하지 않도록 주의하십시오. 전동 공구를 전원 그리고/또는 배터리에 연결하기 전, 보관 또는 운반 전에 전동 공구가 스위치 OFF 상태인지 확인하십시오. 전동 공구 운반 시 스위치에 손가락을 대거나 스위치가 켜진 상태에서 전원을 연결하면 사고를 유발할 수 있습니다.
- ▶ 전동 공구의 스위치를 켜기 전, 조정공구 또는 렌치를 제거하십시오. 기기 회전부에 남아있는 공구나 렌치로 인해 부상을 입을 수 있습니다.
- ▶ 작업 시 비정상적인 자세는 피하십시오. 안전한 작업자세가 되도록 하고, 항상 균형을 유지하십시오. 이렇게 하여 여기저기 많은 상황에서도 전동 공구를 잘 제어할 수 있습니다.
- ▶ 적합한 작업복을 착용하십시오. 헐렁한 복장이나 장식품을 착용하지 마십시오. 작동하는 기기 가동 부위에 머리, 옷 그리고 장갑이 가까이 닿지 않도록 주의하십시오. 헐렁한 복장, 장식품 혹은 긴 머리가 가동 부위에 밀려 들어갈 수 있습니다.
- ▶ 먼지 제거장치나 수거장치를 설치할 수 있는 기기의 경우, 이 장치들이 연결되어 있는지 그리고 제대로 작동되는지를 확인하십시오. 먼지 포집장치 사용은 먼지로 인한 위험을 줄여줄 수 있습니다.
- ▶ 이 전동 공구를 여러번 사용했다고 해서 안전하다고 안심하지 말고 전동 공구에 해당되는 안전 규칙을 무시하지 마십시오. 부주의하게 행할 경우 아주 짧은 순간에 중상을 입을 수 있습니다.

### 전동 공구의 취급과 사용

- ▶ 기기에 과부하가 걸리지 않도록 하십시오. 귀하의 작업에 적합한 전동 공구를 사용하십시오. 적합한 전동 공구를 사용하면, 지정된 성능 한도 내에서 더 효율적으로 안전하게 작업할 수 있습니다.
- ▶ 스위치가 고장난 전동 공구는 사용하지 마십시오. 스위치가 작동되지 않는 전동 공구는 위험하므로, 반드시 수리를 해야 합니다.
- ▶ 기기 세팅을 실행, 액세서리를 교환 또는 기기를 보관하기 전에 컨택터를 전원소켓에서 그리고/또는 탈착식 배터리를 기기에서 빼놓으십시오. 이러한 조치는 실수로 전동 공구가 작동하지 않도록 방지합니다.
- ▶ 사용하지 않는 전동 공구는 어린이들의 손이 닿지 않는 곳에 보관하십시오. 기기 사용에 익숙치 않거나 또는 이 안전수칙을 읽지 않은 사람이 기기를 사용해서는 안 됩니다. 비숙련자가 전동 공구를 사용하면 위험합니다.
- ▶ 전동 공구 및 액세서리를 유의해서 관리하십시오. 기기의 가동 부위가 완벽하게 작동하는지, 끼어 있지 않은지, 혹은 부품이 손상되거나 파손되어 있어 전동 공구의 기능을 저하시키지 않는지 점검하십시오. 기기 사용 전 손상된 부품을 수리하도록 하십시오. 제대로 관리되지 않은 전동 공구는 많은 사고를 유발합니다.
- ▶ 절단기기는 날카롭고 깨끗하게 관리하십시오. 날카로운 절단면이 있고 잘 관리된 절단기기는 끼이는 경우가 드물고 조절하기도 쉽습니다.
- ▶ 본 지침에 따라 전동 공구, 액세서리, 공구 비트 등을 사용하십시오. 이 때 작업 조건과 실시하려는 작업 내용을 고려하십시오. 원래 사용 분야가 아닌 다른 작업에 전동 공구를 사용할 경우, 위험한 상황을 초래할 수 있습니다.
- ▶ 손잡이 및 손잡이 표면은 건조하고 깨끗하게, 그리고 오일과 그리스가 묻어있지 않도록 해야 합니다. 미끄러운 손잡이 및 손잡이 표면은 예상치 못한 상황에서 전동 공구를 안전하게 조작하고 제어할 수 없습니다.

### 배터리 공구의 취급과 사용

- ▶ 제조회사가 권장한 충전기에만 배터리를 충전시키십시오. 특정한 형식의 배터리를 사용하도록 규정되어 있는 충전기에 다른 배터리를 사용할 경우 화재 발생의 위험이 있습니다.
- ▶ 전동 공구에 적합하게 규정된 배터리만 사용하십시오. 다른 배터리를 사용하면 부상을 입을 수 있고, 화재가 발생할 수 있습니다.
- ▶ 배터리를 사용하지 않을 경우 클립, 동전, 키, 못, 나사 또는 다른 소형 금속 물질로부터 사용하지 않는 배터리를 멀리 떨어뜨려 놓아주십시오. 배터리 간 단락으로 인한 연소 또는 화재를 초래할 수 있습니다.
- ▶ 잘못 사용할 경우, 배터리로부터 전해액이 흘러나올 수 있습니다. 전해액을 직접 만지지 마십시오. 실수로 만졌을 경우, 물로 씻으십시오. 전해액이 눈에 들어갔으면, 의사와 상담하십시오. 배터리로부터 흘러나온 전해액은 피부를 손상시킬 수 있으며, 화재를 발생시킬 수 있습니다.
- ▶ 손상된 배터리 또는 변경된 배터리를 사용하지 마십시오. 손상된 배터리 또는 변경된 배터리는 예상치 못한 상황 및 화재, 폭발 또는 부상 위험을 초래할 수 있습니다.
- ▶ 배터리에서 불꽃이 발생하거나 또는 배터리가 너무 높은 온도에 노출되지 않게 하십시오. 불꽃 또는 온도가 130 °C (265 °F)를 넘으면 폭발을 일으킬 수 있습니다.
- ▶ 충전에 관한 모든 지침을 준수하여 배터리 또는 배터리 공구를 절대 사용 설명서에 제시된 범위를 벗어난 온도에서 충전하지 마십시오. 잘못 충전하거나 허용된 범위를 벗어난 온도에서 충전하면 배터리가 파손되어 화재 발생 위험이 높아질 수 있습니다.

### 서비스

- ▶ 전동 공구는 반드시 자격을 갖춘 전문 기술자에 의해 그리고 순정 대체부품만 이용하여 수리해야 합니다. 이렇게 하여 기기의 안전성을 계속해서 유지할 수 있습니다.



- ▶ 손상된 배터리를 절대 수리하지 마십시오. 배터리 수리는 제조회사 또는 권한을 위임받은 고객 서비스센터에서만 이루어져야 합니다.

## 2.2 모든 톱에 대한 안전상의 주의사항

### 톱 작업 방식

- ▶ 위험: 절단 부위와 톱날 근처에 손을 대지 마십시오. 다른 한 손은 보조 손잡이나 모터 하우징을 잡으십시오. 양쪽 손으로 톱을 잡고 있으면, 톱날로 인해 손을 다치지 않습니다.
- ▶ 공작물 아래쪽을 잡지 마십시오. 안전반이 있어도 공작물 아래쪽에서 톱날로 인해 부상을 입을 수 있기 때문입니다.
- ▶ 절단 깊이를 공작물의 두께에 맞게 조절하십시오. 공작물 아래에서 톱날의 톱니가 한 개 이상 보여서는 안 됩니다.
- ▶ 절단하려는 공작물을 절대로 손에 들고 있거나 다리 위에 고정하지 마십시오. 공작물을 고정된 마운트에 안전하게 두십시오. 톱날이 몸에 닿거나 또는 톱날이 걸려서 통제력을 잃는 것을 방지하려면 공작물을 제대로 고정하는 것이 중요합니다.
- ▶ 작업 수행 시, 기기 비트가 보이지 않는 전기 케이블에 닿을 수 있으므로, 전동공구의 절연 손잡이 면만 잡으십시오. 전류가 흐르는 전선과 접촉하게 될 경우 전동공구의 금속 부위를 통해 감전이 될 수도 있습니다.
- ▶ 길이방향 절단 작업을 할 때 항상 림 펜스나 직선형의 모서리 가이드를 사용하십시오. 이렇게 하면 보다 정확한 절단이 가능하며 톱날이 걸릴 위험이 줄어듭니다.
- ▶ 항상 적합한 마운팅 구멍(예: 다이아몬드형 또는 원형)과 정확한 크기의 톱날을 사용하십시오. 톱날 조립 부품에 맞지 않는 톱날은 제대로 회전하지 않으며 제어가 어렵습니다.
- ▶ 절대로 손상되었거나 맞지 않는 톱날 외서나 볼트를 사용하지 마십시오. 톱날 디스크와 볼트는 귀하의 톱에 맞도록 최상의 성능과 작업 안전을 위해 특별히 설계된 것입니다.

### 반동 현상의 원인과 안전상의 주의사항

- 반동력이란 고착되었거나 잘못 고정된 톱날로 인한 갑작스러운 반응으로, 이때 톱이 제어되지 않고 공작물에서 빠져나와 작업자가 있는 방향으로 움직이게 됩니다.
- 톱날이 톱에 걸리거나 끼이게 되면, 톱날이 끼어 움직이지 않게 되고 엔진력으로 인해 톱은 작업자가 있는 방향으로 돌아가게 됩니다.
- 톱날이 작업 중에 끼이거나 잘못 고정되면 뒤쪽 톱날 모서리의 기어이가 재료의 표면에 걸릴 수 있습니다. 이때 톱날은 톱에서 빠져나와 작업자가 있는 방향으로 돌아가게 됩니다.

반동은 톱을 제대로 사용하지 못할 경우 생기는 결과입니다. 다음에 설명한 대로 적당한 예방 조치를 취하면 방지할 수 있습니다.

- ▶ 톱을 양손으로 확실하게 고정시키고 팔을 기기의 반동력을 억제할 수 있는 위치에 놓으십시오. 항상 톱날 옆으로 서서 작업하고 절대로 몸과 일직선이 되게 하지 마십시오. 반동이 생길 경우, 원형 톱이 위로 튕길 수 있으나 작업자가 적절한 조치를 취하면 반동력을 제어할 수 있습니다.
- ▶ 톱날이 끼거나 작업을 중단하려면, 톱을 끄고 톱날이 정지상태 이룰 때까지 움직이지 말고 자재에 대고 있으십시오. 톱날이 움직이고 있을 때 톱을 공작물에서 빼내거나 뒤로 당기려고 하지 마십시오. 그렇지 않으면 반동력이 발생할 수 있습니다. 톱날이 끼어서 움직이지 않는 원인을 확인하고 제거하십시오.
- ▶ 공작물에 끼여져 있는 톱을 재시동하려면 톱날을 절단면 가운데에 맞추고 톱니가 공작물에 물려 있지 않은지 확인하십시오. 톱날이 물려 있으면 재시동할 경우 톱날이 공작물 밖으로 나오면서 반동을 일으킬 수 있습니다.
- ▶ 톱날 걸림 또는 반동이 발생하는 위험을 최소화하기 위해 대형 패널로 받쳐주십시오. 대형 패널은 자체의 중량으로 인해 휘어질 수 있습니다. 절단면 근처와 모서리에 양쪽으로 패널을 받쳐주어야 합니다.
- ▶ 무디거나 손상된 톱날을 사용하지 마십시오. 무디거나 제대로 세팅되지 않은 톱날은 너무 좁은 톱 자국으로 인해 과도한 마찰, 톱날의 물림 그리고 반동을 유발합니다.
- ▶ 톱 작업 전에 절단 깊이 및 절단 각도를 확실하게 설정하십시오. 작업 중에 설정이 달라지면, 톱날이 끼이거나 반동이 발생할 수 있습니다.
- ▶ 벽이 있거나 혹은 다른 보이지 않는 영역에서 절단 작업시에는 특히 조심하십시오. 삽입된 톱날은 절단 작업 시 보이지 않는 물체를 차단하거나 반동을 유발할 수 있습니다.

## 2.3 그 외의 안전상의 주의사항

### 사용자 안전수칙

- ▶ 공구를 변조하거나 개조해서는 절대로 안됩니다.
- ▶ 항상 양 손으로 기기의 손잡이를 잡고 공구를 고정시키십시오. 손잡이는 건조하고 깨끗하게, 그리고 오일과 그리스가 묻어있지 않도록 해야 합니다.
- ▶ 귀마개를 착용하십시오. 극심한 소음은 청각 상실을 유발할 수 있습니다.
- ▶ 먼지를 발생시키는 작업을 할 때, 먼지 제거장치 없이 기기를 작동시킬 경우에는 보호 마스크를 착용해야 합니다.
- ▶ 기기는 항상 해당 안전장치와 함께 작동시키십시오.



- ▶ 손가락의 혈액순환이 잘 되도록 휴식시간 동안 손가락 운동을 하십시오.
- ▶ 본 기기는 교육을 받지 않은 약자가 사용할 수 없습니다.
- ▶ 어린이 손에 닿지 않는 곳에 보관하십시오.
- ▶ 제품은 작업장에서만 켜십시오.
- ▶ 기기의 보관 및 운반 시 배터리를 제거하십시오.
- ▶ 작업 중 제품을 머리 위로 올리지 마십시오.
- ▶ 톱날을 측면에서 눌러서 제품의 작동을 멈추게 하지 마십시오.
- ▶ 절단부위에 어떠한 장애물도 있어서는 안됩니다. 볼트, 핀 등을 절단하지 마십시오.
- ▶ 기기가 작동 중일 때 고정 플랜지와 고정 볼트를 만지지 마십시오.
- ▶ 톱날이 회전할 때 스프링을 로킹을 위한 푸쉬버튼을 절대로 누르지 마십시오.
- ▶ 기기를 사람이 있는 방향으로 놓지 마십시오.
- ▶ 피드력을 톱날과 작업할 소재에 맞게 조정하여 톱날이 블로킹되지 않고 반동을 일으키지 않도록 하십시오.
- ▶ 톱니의 뾰족한 끝이 과열되지 않게 주의하십시오.
- ▶ 플라스틱을 절단할 때는 플라스틱이 용해되지 않게 주의하십시오.
- ▶ 납이 함유된 도료, 일부 목재, 콘크리트/조적벽돌/수정을 함유한 암석 및 금속과 같은 광물질로부터 나오는 먼지는 건강에 해로울 수 있습니다. 먼지를 흡입하거나 만질 경우, 사용자 또는 근처에 있는 사람에게 기관지 질병이나 알레르기 반응이 나타날 수 있습니다. 딱갈나무 입자 또는 너도밤나무 입자와 같은 특정 종류의 먼지는, 특히 목재 처리용으로 사용하는 첨가제(크롬산염, 목재 부식 방지제)와 결합하여 암을 일으킬 수 있습니다. 석면 물질은 전문가기술자만 다룰 수 있습니다. 가능하면 먼지 포집장치를 사용하십시오. 먼지 포집장치의 효율성을 높이려면, 적합한 이동식 먼지 흡입기를 사용하십시오. 먼지의 종류에 따라 필요 시 보호마스크를 착용하십시오. 작업공간을 충분히 환기시키십시오. 가공할 재료에 적용되는 국가별 규정에 유의하십시오.
- ▶ 작업을 시작하기 전, 작업 시 발생하는 먼지의 위험 등급을 알아보십시오. 해당 국가의 먼지 방지 규정에 적합하며, 공식적으로 허용된 보호 등급의 산업용 진공 청소기만을 사용하십시오.
- ▶ 국가별 작업 안전 의의사항에 주의하십시오.

#### 전기에 관한 안전수칙

- ▶ 작업을 시작하기 전에, 예를 들면 금속 탐지기를 이용하여 작업장에서 가려져 있거나 덮혀 있는 전기 배선, 가스 파이프 그리고 하수도관이 있는지를 점검하십시오. 예를 들면 실수로 전기 배선을 손상시켰을 때, 기기 외부의 금속부분에 전기가 흐를 수 있습니다. 이는 전기 쇼크로 인한 심각한 위험이 발생할 수 있음을 의미합니다.

#### 배터리의 올바른 사용방법과 취급방법

- ▶ 리튬 이온 배터리의 운반, 보관 및 사용에 대한 특수 지침에 유의하십시오.
- ▶ 배터리를 고열 및 화염 근처에 두지 마십시오. 폭발의 위험이 있습니다.
- ▶ 배터리를 분해하거나 강한 압력 또는 80°C (176°F) 이상의 열을 가하거나 연소시켜서는 안됩니다. 그렇지 않으면 화재위험, 폭발위험 및 부식위험이 있습니다.
- ▶ 손상된 배터리(예를 들면 배터리에 균열, 부러진 부분이 있거나 접점이 휘었거나 뒤로 밀렸거나 당겨짐)는 충전해서도 안되고 계속해서 사용할 수 없습니다.
- ▶ 배터리를 명시되지 않은 다른 기기의 에너지 공급원으로 사용하지 마십시오.
- ▶ 배터리를 잡기에 너무 뜨거운 경우에는 고장일 수 있습니다. 기기를 가연성 소재와 충분한 간격을 유지하면서, 배터리를 관찰할 수 있는 비연성 장소에 설치하고 기기를 냉각시키십시오. 배터리가 식으면 Hilti 서비스 센터에 연락하십시오.

#### 2.4 원형톱에 대한 추가적인 안전상의 주의사항

- ▶ 소형 원형톱은 전원이 켜진 상태에서만 공작물 쪽으로 가져가십시오.
  - ▶ 절단 경로 위/아래에 어떠한 장애물도 있어서는 안 됩니다. 톱으로 볼트, 핀 등을 절단하지 마십시오.
- ▶ 절대로 머리 위쪽에서 원형톱으로 작업하지 마십시오.
- ▶ 측면을 눌러 톱날의 작동을 멈추지 마십시오.
- ▶ 톱니의 뾰족한 끝이 과열되지 않게 주의하십시오.
- ▶ 항상 절단하고자 하는 모재에 맞는 톱날을 사용하십시오.
- ▶ Hilti에서 권장하는 EN 847-1 규격에 준하는 톱날만 사용하십시오.

#### 2.5 배터리의 올바른 사용방법과 취급방법

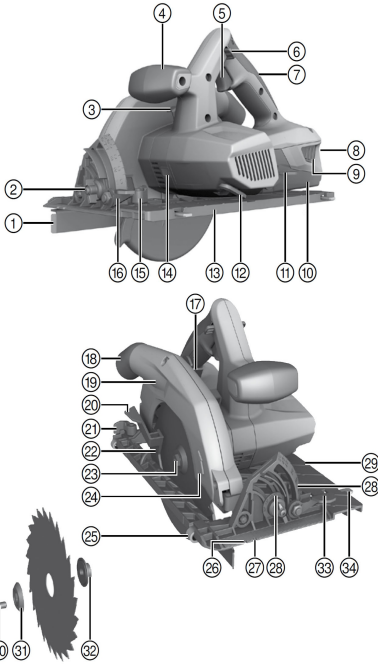
- ▶ 리튬 이온 배터리의 운반, 보관 및 사용에 대한 특수 지침에 유의하십시오.
- ▶ 배터리를 고열, 직사광선 및 화염 근처에 두지 마십시오.
- ▶ 배터리를 분해하거나 강한 압력 또는 80°C (176°F) 이상의 열을 가하거나 연소시켜서는 안됩니다.
- ▶ 충격력을 받은 적이 있거나, 1미터가 넘는 높이에서 떨어진 적이 있거나 혹은 다른 방식으로 손상된 배터리는 절대 사용하거나 충전하지 마십시오. 이러한 경우 항상 Hilti 서비스 센터로 문의해 주시기 바랍니다.



▶ 배터리를 잡기에 너무 뜨거운 경우에는 고장일 수 있습니다. 배터리를 인화성 물질과 충분한 거리를 둔 상태에서 눈에 잘 띄며 불이 잘 붙지 않는 장소에 두십시오. 배터리를 냉각시키십시오. 한 시간 후에도 계속해서 배터리를 잡기에 너무 뜨거운 경우에는 배터리에 결함이 있을 수 있습니다. Hilti 서비스 센터에 문의하십시오.

### 3 제품 설명

#### 3.1 제품 개요



- ① 외팔형 병렬 스톱
- ② 절단 각도 사전 조정 (22.5°, 45°, 50°)
- ③ 스피들 로킹 버튼
- ④ 보조 손잡이
- ⑤ ON/OFF 스위치
- ⑥ 스위치ON로크
- ⑦ 손잡이
- ⑧ 충전 상태 표시 및 고장 표시(리튬 이온 배터리)
- ⑨ 충전상태 표시기 활성화 추가 기능이 있는 잠금해제 버튼
- ⑩ 배터리
- ⑪ 절입 깊이 조절을 위한 클램핑 레버
- ⑫ 알렌키
- ⑬ 소형 베이스 플레이트
- ⑭ LED 조명
- ⑮ 전방 병렬 스톱용 클램핑 레버
- ⑯ 절단각 조절을 위한 클램핑 레버
- ⑰ 절단 깊이 눈금
- ⑱ 컨넥터 (절단 부스러기 통로)
- ⑲ 보호캡
- ⑳ 회전 보호 안전반 작동 레버
- ㉑ 후방 병렬 스톱용 클램핑 레버 (대형 베이스 플레이트용으로만)
- ㉒ 회전 보호 안전반
- ㉓ 구동 스피들
- ㉔ 회전 방향 화살표
- ㉕ 양팔형 병렬 스톱
- ㉖ 절단표시 0°
- ㉗ 절단표시 45°
- ㉘ 절단각 눈금
- ㉙ 대형 베이스 플레이트
- ㉚ 클램핑 볼트
- ㉛ 고정 플랜지
- ㉜ 마운팅 플랜지
- ㉝ 베이스 플레이트 홈 표시 0°
- ㉞ 베이스 플레이트 홈 표시 1- 50°

#### 3.2 가이드 레일 어댑터

- ㉟ 후방 리테이닝 탭
- ㊱ 전방 홀딩 프레임
- ㊲ 홈 표시 0°
- ㊳ 홈 표시 1- 50°

#### 3.3 규정에 맞는 사용

기술된 제품은 배터리 구동식 원형톱입니다. 본 제품은 또는 목재와 유사한 소재, 플라스틱, 석고보드, 석고 패널 및 복합재에서의 톱 작업에 사용됩니다.



원형톱에는 분리가 가능한 진공청소기/먼지제거기(옵션)용 컨넥터가 장착되어 있으며, 이때 통용되는 흡입 호스를 사용할 수 있습니다. 먼지 흡입기의 흡입호스를 톱에 연결하려면 적합한 어댑터가 필요할 수 있습니다.

- ▶ 표기된 정격(예: 직경, 회전수, 두께)에 맞지 않는 톱날, 커팅 디스크, 그라인딩 디스크 및 고탄성유 고속도 강(HSS 강)을 사용해서는 안됩니다. 금속을 절단해서는 안됩니다.
- ▶ 나뭇가지 및 나무의 줄기를 절단하기 위해 이 제품을 사용하지 마십시오.
- ▶ 본 제품에는 모델시리즈 B 22의 Hilti 리튬 이온 배터리만 사용하십시오.
- ▶ 이 배터리에는 Hilti 충전기 C4/36 시리즈만 사용하십시오.

### 3.4 리튬 이온 배터리 표시

리튬 이온 배터리의 충전 상태 및 기기의 문제 사항은 리튬 이온 배터리의 표시를 통해 나타납니다. 리튬 이온 배터리의 충전 상태는 배터리 잠금 해제 버튼 둘 중 하나를 누르면 표시됩니다.

상태	의미
4개 LED 점등됨.	충전 상태: 75 % ~ 100 %
3개 LED 점등됨.	충전 상태: 50 % ~ 75 %
2개 LED 점등됨.	충전 상태: 25 % ~ 50 %
1개 LED 점등됨.	충전 상태: 10 % ~ 25 %
1개 LED 깜박임, 기기 작동 준비 상태.	충전 상태: < 10 %
1개 LED 깜박임, 기기 작동 준비 상태되지 않음.	배터리 과열 또는 완전히 방전됨.
4개 LED 깜박임, 기기 작동 준비 상태되지 않음.	공구 과부하 또는 과열.

컨트롤 스위치가 조작된 상태에서 컨트롤 스위치에서 손을 뗀 후 5초까지는 충전상태를 조회해볼 수 없습니다.  
배터리 표시 LED가 점멸할 경우, "고장 시 대책" 장의 지침에 유의하십시오.

### 3.5 병렬 스톱

외팔 병렬 스톱으로 인해 공작물 모서리에 따라 정확한 절단 및 일정한 레일의 절단이 가능합니다. 병렬 스톱은 베이스 플레이트의 양쪽 면에 설치할 수 있습니다.

### 3.6 공급품목

원형톱, 톱날, 알렌키, 병렬 스톱, 진공청소기용 컨넥터, 사용 설명서(옵션: 가이드 레일 어댑터).

해당 제품에 허용되는 예비 부품, 소모품 및 액세서리는 **Hilti Store** 또는 [에서 확인할 수 있습니다.](http://www.hilti.group)

### 3.7 액세서리

고정 플랜지, 마운팅 플랜지, 클램핑 볼트

## 4 기술자료

### 4.1 원형톱

	SC 70W-A22
정격 전압	21.6V
EPTA-Procedure 01에 따른 무게	4.8kg
규정된 톱날 직경	190mm
날 두께	0.7mm ... 1.5mm
절단폭	1.5mm ... 2mm
톱날-마운팅 구멍	30mm
무부하 회전속도	3,500/min
최대 절단 깊이 0°	70mm
최대 절단 깊이 45°	51mm
최대 절단 깊이 50°	45mm



	SC 70W-A22
미이터 절단 각도	0° ... 50°
작동 온도	-10 °C ... 50 °C
보관 온도(배터리 미포함)	-30 °C ... 70 °C

#### 4.2 배터리

배터리 모드 전압	21.6V
작동 시 주변 온도	-17 °C ... 60 °C
보관 온도	-20 °C ... 40 °C
충전 시작 시 배터리 온도	-10 °C ... 45 °C

#### 4.3 소음 정보 및 진동값은 EN 62841에 따라 측정

이 지침에 제시된 음압 및 진동수준은 표준화된 측정방법에 따라 측정된 것이며, 전동 공구를 서로 비교하기 위한 용도로 사용할 수 있습니다. 음압 및 진동 수준은 노출 정도를 사전에 예측하는 데에도 유용하게 사용할 수 있도록 설계되어 있습니다. 제시된 데이터는 전동 공구의 주된 용도를 나타냅니다. 그러나 전동 공구를 다른 용도로 사용하거나 다른 공구 비트를 사용할 경우 또는 유지보수를 충분히 하지 않은 상태에서는 데이터에 편차가 있을 수 있습니다. 이러한 경우 전 작업시간에 걸쳐 노출이 현저하게 증가할 수 있습니다. 노출을 정확하게 평가하기 위해서는 기기 작동이 멈춰 있거나 또는 작동 중이지만 실제로는 사용하지 않는 시간도 고려해야 합니다. 이러한 경우 전 작업시간에 걸쳐 노출이 현저하게 감소할 수 있습니다. 사용자를 보호하기 위해 음파 그리고/또는 진동이 작용하기 전에 다음과 같은 추가적인 안전 조치를 취하십시오. 전동 공구와 공구 비트의 유지보수, 손을 따뜻하게 유지, 작업순서 정하기 등.

소음 배출값은 EN 62841에 따라 확인

	SC 70W-A22
소음 수준 ( $L_{WA}$ )	103dB(A)
소음 수준 허용공차 ( $K_{WA}$ )	3dB(A)
소음 수준 ( $L_{pA}$ )	92dB(A)
음압 수준 허용공차 ( $K_{pA}$ )	3dB(A)

#### EN 62841에 따라 산출된 진동 총 값(3방향 벡터 합)

	SC 70W-A22
목재 절단 시 진동 배출값 ( $A_{h, w}$ )	0.93m/s <sup>2</sup>
허용공차 (K)	1.5m/s <sup>2</sup>

## 5 조작

### 5.1 작업 준비

#### 5.1.1 배터리 충전

1. 충전하기 전에 충전기의 사용 설명서를 읽으십시오.
2. 배터리 및 충전기의 접점이 청결하고 건조한 상태인지 확인하십시오.
3. 허용되는 충전기에서 배터리를 충전하십시오. 262

#### 5.1.2 배터리 삽입



**경고**

부상 위험 부상 위험!

- ▶ 배터리를 끼우기 전에 배터리의 접점 및 제품의 접점에 이물질이 남아 있지 않은지 확인하십시오.
- ▶ 배터리가 제대로 고정되었는지 확인하십시오.

1. 처음으로 사용하기 전, 배터리를 완전히 충전하십시오.
2. 배터리가 제품에 고정되는 소리가 들릴 때까지 미십시오.
3. 배터리가 정확하게 설치되어 있는지 점검하십시오.

#### 5.1.3 배터리 제거

1. 배터리의 잠금 해제 버튼을 누르십시오.



2. 배터리를 기기에서 빼내십시오.

### 5.1.4 톱날 분리

#### 경고

톱날, 클램핑 볼트 및 고정 플랜지에서 화재 및 절단 위험 결과적으로 화재 및 절단 부상이 발생할 수 있습니다.  
▶ 치즐을 교환할 때에는 보호장갑을 착용하십시오.

1. 배터리를 제거하십시오.
2. 톱날용 클램핑 볼트에 알렌키를 설치하십시오.
3. 스팀들 잠금 버튼을 누른 다음, 그대로 누르고 계십시오.
4. 알렌키를 통해 스팀들 스톱 버튼이 완전히 안착될 때까지 톱날의 클램핑 볼트를 돌리십시오.
5. 알렌키를 이용하여 클램핑 볼트를 화살표 회전방향으로 돌려서 푸십시오.
6. 클램핑 볼트와 외부 고정 플랜지를 떼어내십시오.
7. 회전 보호 안전반을 옆으로 돌려서 열고 톱날을 분리하십시오.

필요한 경우 세척을 위해 마운팅 플랜지를 빼낼 수 있습니다.

### 5.1.5 톱날 설치

#### 주의

손상 위험! 톱날이 적합하지 않거나 또는 잘못 사용하면 톱이 손상될 수 있습니다.  
▶ 해당 톱에 적합한 톱날만 사용하십시오. 톱날 위의 회전방향 화살에 유의하십시오.  
▶ 허용 회전속도가 제품에 제시된 최고 회전속도 이상인 톱날만 사용하십시오.

고정할 톱날이 기술적인 요구사항에 부합하고 상태가 양호한지 확인하십시오. 날카로운 톱날은 이상적인 톱 절단을 위한 전제조건입니다.

1. 배터리를 제거하십시오.
2. 마운팅 플랜지 및 고정 플랜지를 청소하십시오.
3. 마운팅 플랜지를 정확한 방향으로 드라이브 스팀들에 끼우십시오.
4. 회전 보호 안전반을 여십시오.
5. 새 톱날을 끼우십시오.
6. 외부 고정 플랜지를 정확한 방향으로 끼우십시오.
7. 클램핑 볼트를 설치하십시오.
8. 톱날용 클램핑 볼트에 알렌키를 설치하십시오.
9. 스팀들 고정 헤드를 누르십시오.
10. 알렌키를 화살표 반대 방향으로 돌려서 고정 플랜지를 클램핑 볼트를 이용하여 고정하십시오.
  - ▶ 스팀들 스톱 버튼이 맞물려 끼워짐.
11. 처음 사용 전에 톱날이 정확한 위치에 단단하게 설치되었는지 확인하십시오.

### 5.1.6 절단 깊이 설정

1. 배터리를 제거하십시오.
2. 절단 깊이 조정을 위한 클램핑 레버를 푸십시오.
3. 제품을 가위 모양으로 들고 클램핑 레버를 조여서 절단 깊이를 설정하십시오.

설정된 절단 깊이는 항상 절단할 금속 두께보다 약 5 - 10mm 큰 사이즈로 선택해야 합니다.  
보호캡 뒷면에 부착된 눈금 및 바늘을 통해 설정된 깊이를 읽을 수 있습니다.

### 5.1.7 절단 각도 설정

1. 배터리를 제거하십시오.
2. 절단각 설정의 클램핑 레버를 푸십시오.
3. 제품을 원하는 위치로 돌리십시오.

절단 각도 사전 조정을 통해 최대각 22.5°, 45°, 50°의 간편한 설정이 가능해집니다.

4. 절단각 설정의 클램핑 레버를 단단히 고정하십시오.



### 5.1.8 균열 있는 부위의 톱 작업 7



직선 컷 및 사선 컷을 위해 원형톱의 앞쪽 베이스 플레이트에 균열 표시기가 있습니다(0° 및 45°). 이를 통해 선택한 절단 각도에 따라 정밀한 절단 작업을 진행할 수 있습니다. 균열면은 톱날의 안쪽에 해당됩니다. 균열 표시기는 톱날의 앞쪽에 있습니다.



공작물이 밀리지 않도록 하십시오.

톱날이 공작물 아래에서 자유롭게 움직일 수 있도록 공작물을 배치하십시오.

제품에서 ON/OFF 스위치가 꺼져 있는지 확인하십시오.

톱날이 공작물과 접촉하지 않도록 제품을 베이스 플레이트와 함께 공작물 위에 놓으십시오.

1. 배터리를 삽입하십시오.
2. 스위치ON로크가 눌러진 상태에서 ON/OFF 스위치를 눌러서 제품의 전원을 켜십시오.
3. 적당한 작업속도로 금을 따라 공작물을 절단하십시오.

### 5.1.9 병렬 스톱 설치/설정 8

1. 배터리를 제거하십시오.
2. 병렬 스톱을 통과할 수 있는 공간이 충분히 남아있을 정도로 클램핑 볼트를 돌려 베이스 플레이트에 끼우십시오.
3. 병렬 스톱의 가이드를 클램핑 볼트 아래로 미십시오.
4. 원하는 절단쪽을 설정하십시오.
5. 클램핑 볼트를 단단히 고정하십시오.



병렬 스톱(외팔형/양팔형)은 베이스 플레이트의 양쪽 면에 설치할 수 있습니다. 양팔형 병렬 스톱은 대형 베이스 플레이트용으로만 사용 가능합니다.

병렬 스톱으로 인해 공작물 모서리에 따라 정확한 절단 및 일정한 레일의 절단이 가능합니다.

### 5.1.10 가이드 레일 어댑터의 조립 9



톱에 부속품으로 공급받을 수 있는 가이드 레일 어댑터가 장착되어 있을 수 있습니다.

소형 베이스 플레이트가 장착된 톱의 경우, 가이드 레일에 꼭 맞는 가이드 레일 어댑터를 사용하십시오.

1. 배터리를 제거하십시오.
2. 경우에 따라 설치된 병렬 스톱을 제거하십시오.
3. 베이스 플레이트를 가이드 레일 어댑터의 측면 홀딩 프레임에 끼우십시오.
4. 베이스 플레이트를 가이드 레일 어댑터에 완전하게 삽입하십시오.
5. 양쪽 슬라이더를 스톱위치까지 누름으로써 가이드 레일 어댑터를 고정하십시오.

## 5.2 작업

### 5.2.1 스위치 ON

- ▶ 스위치ON로크가 눌러진 상태에서 ON/OFF 스위치를 눌러서 제품의 전원을 켜십시오.

### 5.2.2 전원 끄기

- ▶ ON/OFF 스위치에서 손을 떼서 기기를 멈추게 하십시오.

### 5.2.3 0°에서의 길이방향 절단 10

1. 가이드 레일의 브릿지 위에 "0°"의 홈 표시가 있는 원형톱을 올리십시오.
2. 스위치ON로크가 눌러진 상태에서 ON/OFF 스위치를 눌러서 제품의 전원을 켜십시오.
3. 적당한 작업속도로 레일을 따라 공작물을 절단하십시오.

### 5.2.4 50° 이하에서의 길이방향 절단 11

1. 각도를 조정하십시오.



경고

경사 절단 시 충돌 위험! 톱날과 가이드 레일의 충돌.

- ▶ 가이드 레일의 브릿지 위에 적합한 그루브를 놓고 톱을 올리십시오. 그렇지 않으면 톱날과 가이드 레일이 충돌할 수 있습니다.





2. 가이드 레일의 브릿지 위에 "1° - 50°"의 홈 표시가 있는 톱을 올리십시오.
3. 스위치ON로크가 눌러진 상태에서 ON/OFF 스위치를 눌러서 제품의 전원을 켜십시오.
4. 적당한 작업속도로 레일을 따라 공작물을 절단하십시오.

### 5.2.5 평면 절단 각도 만들기

1. 가이드 레일의 제로 포인트를 공작물 모서리에 대고, 원하는 각이 눈금 표시기의 제로 포인트와 마주볼 때까지 레일을 돌리십시오. 표시된 절단각은 직각도 오차를 나타냅니다.
2. 가이드 레일을 2개의 스크루 클램프로 고정하십시오.
3. 가이드 레일의 브릿지 위에 "0°"의 홈 표시가 있는 원형톱을 올리십시오.
4. 스위치ON로크가 눌러진 상태에서 ON/OFF 스위치를 눌러서 제품의 전원을 켜십시오.
5. 적당한 작업속도로 레일을 따라 공작물을 절단하십시오.

### 5.2.6 절단 부스러기 진공청소 기능이 없는 톱 작업

1. 절단 부스러기가 방해받지 않고 밖으로 튀어나올 수 있도록 하십시오.
2. 필요시 제품에 있는 알렌키로 육각볼트를 푼 다음 컨넥터를 보호캡에서 떼어낼 수 있습니다.

## 6 유지 관리

### 경고

배터리가 끼워진 상태에서 부상 위험!

- ▶ 관리 및 수리 작업을 진행하기 전에 항상 배터리를 제거하십시오!

#### 제품 관리

- 공구에 부착되어 있는 오염물질을 조심스럽게 제거하십시오.
- 오염물질이 있는 경우, 부드러운 마른 솔로 환기 슬롯을 조심스럽게 청소하십시오.
- 약간의 물기가 있는 수건으로만 하우징을 청소해 주십시오. 플라스틱 부품을 손상시킬 수 있으므로 절대로 실리콘이 함유된 보호제를 사용하지 마십시오.
- 제품의 접점을 청소하려면 깨끗하고 마른 천을 사용하십시오.

#### 리튬 이온 배터리 관리

- 환기 슬롯이 막힌 상태에서는 절대 배터리를 사용하지 마십시오. 부드러운 마른 솔로 환기 슬롯을 조심스럽게 청소하십시오.
- 배터리가 불필요하게 먼지 또는 오염물에 노출되지 않도록 하십시오. 배터리를 절대 습도가 높은 곳에 두지 마십시오(예: 물 속에 담그거나 비내리는 곳에 두는 행위).
- 배터리에 물이 들어가면, 손상된 배터리처럼 취급하십시오. 물이 들어간 배터리는 비가연성 용기에서 절연시킨 후, Hilti 서비스 센터에 문의해 주십시오.
- 배터리를 외부 오일 및 그리스가 묻지 않도록 깨끗하게 유지하십시오. 배터리에 불필요하게 먼지 또는 오염물이 쌓이지 않도록 하십시오. 배터리를 부드러운 마른 솔 또는 깨끗하고 마른 걸러로 닦아내십시오. 플라스틱 부품을 손상시킬 수 있으므로 절대로 실리콘이 함유된 보호제를 사용하지 마십시오.
- 배터리의 접점에 접촉하지 말고, 접점에서 공구축에 부착된 그리스를 제거하지 마십시오.
- 약간의 물기가 있는 수건으로만 하우징을 청소해 주십시오. 플라스틱 부품을 손상시킬 수 있으므로 절대로 실리콘이 함유된 보호제를 사용하지 마십시오.

#### 유지보수

### 경고

감전으로 인한 위험! 전기 구성부품에서 부적절하게 수리하면 중상을 입거나 화재를 야기할 수 있습니다.

- ▶ 전기 부품은 반드시 전기 기술자가 수리하도록 해야 합니다.

- 눈에 보이는 모든 부품은 정기적으로 손상 여부를 점검하고 조작요소가 아무 문제 없이 작동하는지 점검하십시오.
- 손상되었거나 기능 장애가 있는 경우에는 제품을 작동하지 마십시오. 즉시 Hilti 서비스 센터에 제품 수리를 의뢰하십시오.
- 관리 및 수리 작업 후 모든 보호장치를 가져와 기능에 이상이 없는지 점검하십시오.



안전하게 작동할 수 있도록 순정 예비 부품, 소모품 및 액세서리만 사용하십시오. Hilti에서 승인한 예비 부품, 소모품 및 액세서리는 Hilti Store 또는 [www.hilti.group](http://www.hilti.group)

### 6.1 보호장비의 세척

1. 보호장비를 세척하려면 톱날을 제거하십시오.



2. 마른 솔로 보호장비를 조심스럽게 청소하십시오.
3. 적절한 도구를 가지고 보호장비 내부의 찌꺼기와 부스러기를 제거하십시오.
4. 톱날을 조립하십시오.

## 6.2 절단 부스러기 통로가 막혔을 때의 작업 순서

1. 배터리를 제거하십시오.
2. 절단 부스러기 통로를 청소하십시오.



필요에 따라 톱날을 분리해야 합니다. 265

3. 기동 부위가 고착되지 않고 이상적으로 작동하는지 또는 파손 및 손상된 부품으로 인한 제품의 기능 장애가 없는지 확인하십시오.

## 6.3 관리 및 수리작업 후 점검



관리/수리작업 후에 모든 보호기구가 설치되어 있으며 고장 없이 작동하는지 점검해야 합니다.

- ▶ 회전 보호 안전반을 점검하기 위해서는 작동레버를 조작하여 캡을 완전히 열어야 합니다.
  - ▶ 작동 레버에서 손을 떼 후에는 회전 보호 안전반이 신속하고 완전하게 닫혀야 합니다.

## 7 운반 및 보관

### 충전식 공구 및 배터리 운반



**주의**

운반 시 돌발적으로 작동됨!

- ▶ 제품은 항상 배터리를 장착하지 않은 상태로 운반하십시오!
- ▶ 배터리를 분리하십시오.
- ▶ 배터리를 고정하지 않은 채로 운반해서는 절대 안 됩니다. 운반하는 도중 배터리에 과도한 충격을 받거나 진동이 발생하지 않게 하고 모든 전도성 소재 또는 다른 배터리로부터 분리시켜 다른 배터리 전극에 닿지 않고 단락이 발생하지 않게 하십시오. 배터리와 관련된 현지 운반 규정에 유의하십시오.
- ▶ 배터리는 우편을 통해 전달할 수 없습니다. 손상이 없는 배터리를 전송하고자 하는 경우 배송업체에 문의하십시오.
- ▶ 제품 및 배터리를 사용하기 전에 그리고 장시간 운반한 후에는 항상 손상 여부를 점검하십시오.

### 충전식 공구 및 배터리 보관



**경고**

배터리 결함 또는 방전으로 인한 돌발적인 손상!

- ▶ 제품은 항상 배터리를 장착하지 않은 상태로 보관하십시오!
- ▶ 제품 및 배터리를 냉각 및 건조시켜 보관하십시오. 기술자료에 제시된 허용 온도 한계값에 유의하십시오.
- ▶ 배터리를 충전기에 보관하지 마십시오. 충전 후에는 항상 배터리를 충전기에서 분리하십시오.
- ▶ 배터리는 절대 직사광선이 들어오는 곳, 열원 위 또는 유리 뒤쪽에 보관하지 마십시오.
- ▶ 제품 및 배터리는 건조한 상태로 어린이나 외부인의 손이 닿지 않는 곳에 보관하십시오.
- ▶ 제품 및 배터리를 사용하기 전에 그리고 장시간 보관한 후에는 항상 손상 여부를 점검하십시오.

## 8 문제 발생 시 도움말

- ▶ 본 도표에 제시되어 있지 않거나 스스로 해결할 수 없는 문제가 발생한 경우 Hilti 서비스 센터에 문의해주시십시오.

### 8.1 원형톱을 작동할 수 없습니다.

장애	예상되는 원인	해결책
LED가 아무것도 나타내지 않습니다.	배터리가 완전하게 삽입되지 않음.	▶ 배터리를 삽입하십시오.
	배터리를 방전시키십시오.	▶ 배터리를 충전하십시오.



장애	예상되는 원인	해결책
LED가 아무것도 나타내지 않습니다.	배터리 과열 또는 과냉 상태.	▶ 배터리를 주변 온도에 맞추십시오.
1개의 LED가 깜박입니다.	배터리를 방전시키십시오.	▶ 배터리를 충전하십시오.
	배터리 과열 또는 과냉 상태.	▶ 배터리를 주변 온도에 맞추십시오.
4개의 LED가 깜박입니다.	원형톱이 잠깐 동안 과부하됨.	▶ ON/OFF 스위치에서 손을 떼고 스위치를 다시 조작하십시오.
	과열방지장치.	▶ 원형톱을 냉각시키고 환기 슬롯을 청소하십시오.

## 8.2 원형톱 작동이 가능합니다.

장애	예상되는 원인	해결책
ON/OFF 스위치를 누를 수가 없음 또는 블로킹됨	장애 아님 (안전 기능).	▶ 스위치ON로크를 누르십시오.
회전속도가 갑자기 떨어짐.	배터리를 방전시키십시오.	▶ 배터리를 충전하십시오.
	피드력 너무 높음.	▶ 피드력을 줄이고 제품의 전원을 다시 켜십시오.
절단 부스러기가 용기 안에 운송되지 않고 베이스 플레이트 위로 떨어짐.	절단 부스러기 용기가 가득 찬 상태.	▶ 절단 부스러기 용기를 비우십시오.
	절단 부스러기 통로가 막힘.	▶ 절단 부스러기 통로를 청소하십시오. 268
톱날이 움직이지 않음.	피드력 너무 높음.	▶ 피드력을 줄이고 제품의 전원을 다시 켜십시오.
배터리가 평소보다 빨리 방전됨.	배터리 상태가 최적 아님.	▶ 배터리를 교체하십시오.
배터리를 밀어 넣을 때 "이중으로 찰락하는 소리"가 들리지 않음.	배터리 래치 오염됨.	▶ 래치를 세척하고 배터리를 밀어 넣으십시오. 문제가 지속될 경우, Hilti 서비스 센터에 연락하십시오.
원형톱 또는 배터리에서 과도한 열 발생.	전기적 결함	▶ 원형톱의 전원을 즉시 끄십시오. 배터리를 제거한 후 배터리를 관찰하십시오. 배터리를 냉각시키십시오. Hilti 서비스센터에 문의하십시오.
	제품이 과부하됨(사용 한계 초과).	▶ 용도에 적합한 기기를 선택하십시오.
톱 진동이 심함	톱날이 잘못 설치됨	▶ 톱날을 정확하게 설치하십시오. 265

## 9 폐기

### 경고

부적절한 폐기로 인한 부상 위험! 새어나오는 가스 또는 용액으로 인한 건강상의 위험.

- ▶ 손상된 배터리는 전달하지 마십시오!
- ▶ 비전도성 소재로 연결 단자를 막아 두어 단락이 발생하지 않게 하십시오.
- ▶ 배터리가 어린이의 손에 닿지 않도록 폐기하십시오.
- ▶ Hilti Store에서 배터리를 폐기하거나 또는 담당 폐기물 처리 업체에 문의하십시오.

Hilti 제품은 대부분 재사용이 가능한 소재로 제작되었습니다. 재활용을 위해 개별 부품을 분리하여 주십시오. Hilti는 대부분의 국가에서 재활용을 위해 노후기기를 수거해 갑니다. Hilti 고객 서비스 센터 또는 판매 상담자에게 문의하십시오.



- ▶ 전동 공구, 전자식 기기 및 배터리를 일반 가정 쓰레기로 폐기하지 마십시오!



## 10 RoHS (유해물질 사용 제한 지침)

아래 링크에서 유해물질에 관한 도표를 확인할 수 있습니다. [qr.hilti.com/r2937785](http://qr.hilti.com/r2937785).  
RoHS 도표로 이어지는 링크는 본 문서 끝에 QR 코드 형식으로 제시되어 있습니다.

## 11 제조회사 보증

▶ 보증 조건에 관한 질문사항은 현지 Hilti 파트너사에 문의하십시오.

# 原始操作說明

## 1 關於操作說明的資訊

### 1.1 關於此文件

- 初次使用前，請詳讀本操作說明。這是安全作業和使用無虞的先決條件。
- 請遵守本操作說明中與產品上的安全說明和警告。
- 操作說明應與產品一起保管，產品交予他人時務必連同本操作說明一併轉交。

僅適用於台灣

進口商: 喜利得股份有限公司

地址: 新北市板橋區

新站路16號24樓22041

電話: 0800-221-036

### 1.2 已使用的符號解釋

#### 1.2.1 警告

警告您在操作或使用本產品時可能發生之危險。採用了以下標示文字：



**危險**

危險！

▶ 此標語警示會發生對人造成嚴重傷害甚至致死的危險情形。



**警告**

警告！

▶ 此標語警示會造成嚴重傷害甚至致死危險的潛在威脅。



**注意**

注意！

▶ 請小心會造成人員受傷或對設備及其他財產造成損害的潛在危險情況。

#### 1.2.2 操作說明中的符號

本操作說明中採用以下符號：

	請遵照操作說明
	使用說明與其他資訊
	處理可回收的材料
	不可將電子設備與電池當作家庭廢棄物處置
	Hilti 鋰電池
	Hilti 充電器



### 1.2.3 圖解中的符號

圖解中採用了以下符號：

	號碼對應操作說明的開始處的圖解。
3	圖解中的編號表示重要的工作步驟或對工作步驟重要的元件。在文字中，這些工作步驟或元件以對應的數字明顯顯示，例如(3)。
	概覽圖解中使用位置編號，方便您對應到產品概覽段落中的圖例編號。
	本符號是為了讓您在操作本產品時可以注意某些重點。

## 1.3 產品專屬符號

### 1.3.1 符號

產品上會採用下列符號：

$n_0$	無負載下額定轉速
—	直流電 (DC)
RPM	每分轉數
$\varnothing$	直徑
	鋸片
	本產品支援相容於iOS及Android平台的無線資料傳輸。
Li-Ion	鋰電池
	使用Hilti鋰電池類型系列。請遵守用途一節所提供之資訊。
	請勿將電池使用作為敲擊工具。
	避免電池掉落。不得使用遭受衝擊或其他原因遭成損壞的電池。

## 1.4 產品資訊

產品是針對專業使用者設計，故僅經訓練、認可的人員可操作、維修與維護本產品。必須告知上述人員關於可能遭遇到的特殊危險。若因未經訓練人員操作錯誤或未依照其原本的用途操作，則本產品和它的輔助工具設備有可能會發生危險。

類型名稱和序號都標示於額定銘牌上。

- ▶ 在下方表格中填入序號。與Hilti維修中心或當地Hilti機關聯絡查詢產品相關事宜時，我們需要您提供產品詳細資訊。

#### 產品資訊

圓鋸	SC 70W-A22
產品代別	01
序號	

## 1.5 符合聲明

基於我們唯一的責任，本公司在此聲明本產品符合適用的指示或標準。本文件結尾處有符合聲明之副本。技術文件已歸檔：

Hilti Entwicklungsgesellschaft mbH | Tool Certification | Hiltistrasse 6 | 86916 Kaufering, Germany



### 2.1 一般電動機具安全警告

**⚠ 警告** 請詳閱本電動機具提供的所有安全警告、指示、圖解和說明。未能遵守以下所有指示可能會造成電擊事故、火災和 / 或嚴重的傷害。

妥善保存所有警示及說明，以供將來參考。

注意事項中的「機具」係指使用電源（有線）或電池（無線）的電動機具。

#### 工作區域安全

- ▶ 請保持工作區的清潔與採光充足。雜亂而昏暗的工作區會導致意外發生。
- ▶ 勿在容易發生爆炸的環境中使用機具，例如有可燃性液體、瓦斯或粉塵存在的環境。機具產生的火花可能會引燃塵埃或煙霧。
- ▶ 操作機具時，請與兒童及旁人保持距離。注意力不集中時容易發生失控的情形。

#### 電力安全

- ▶ 機具插頭與插座須能互相搭配。勿以任何方式改裝插頭。勿將任何變壓器插頭和與地面接觸（接地）的電動機具搭配使用。未經改裝的插頭以及能互相搭配的插座可減少發生電擊的危險。
- ▶ 避免讓身體碰觸到如管線、散熱器、爐灶與冰箱等與土地或地表接觸之物品。如果您的身體接觸到地表或地面，將增加電擊的危險。
- ▶ 請勿將機具曝露在下雨或潮濕的環境中。若水氣進入機具中將增加觸電的危險。
- ▶ 勿濫用電纜線。勿以電纜線吊掛、拖拉機具或拔下機具插頭。電纜線應避開熱氣、油、銳利的邊緣或移動性零件。電纜線損壞或纏繞會增加發生電擊事故的危險。
- ▶ 於室外操作機具時，須使用適用於戶外的延長線。使用適合戶外使用的延長線可降低觸電的風險。
- ▶ 如果無法避免在潮濕的地點操作機具，請使用漏電斷路器（RCD）保護電源供應器。使用漏電斷路器（RCD）可降低電擊的風險。

#### 人員安全

- ▶ 操作機具時，請提高警覺，注意進行中的工作並善用常識。感到疲勞或受到藥物、酒精或治療的影響時勿使用機具。操作機具時稍不留神就可能造成嚴重的人員傷亡。
- ▶ 穿戴個人防護裝備。請隨時穿戴眼罩。適當使用防塵面罩、防滑鞋、安全帽及耳罩等安全防護配備可減少人員的傷害。
- ▶ 避免不經意的啟動。在接上電源或電池組、抬起或攜帶機具之前，務必確認開關處於關閉的位置。攜帶機具時，如果把手指放在開關上，或在開關開啟時，將機具插上插頭容易發生意外。
- ▶ 啟動機具前，應將所有調整鑰匙或扳手移開。將扳手或鑰匙留在機具的旋轉零件中可能會造成人員傷害。
- ▶ 勿將手伸出過遠。隨時站穩並維持平衡。這可讓您在意外情況發生時，對機具有較好的控制。
- ▶ 穿著適當服裝。請勿穿著寬鬆的衣服或佩戴珠寶。頭髮、衣服與手套應遠離移動性零件。移動性零件可能會夾到寬鬆的衣服、珠寶或長髮。
- ▶ 如果機具可連接吸塵裝置與集塵設備，請連接並適當使用這些設備。使用集塵裝置可降低與粉塵有關的危險。
- ▶ 請勿因頻繁而習慣使用機具便疏於遵守或忽略機具的安全規範。草率使用可能在轉眼間便造成嚴重的傷害。

#### 機具使用與保養

- ▶ 不可強制使用機具。依據用途使用正確的機具。根據設計的速率使用機具可更快速安全地完成工作。
- ▶ 若開關無法啟動或關閉電動工具時，請勿使用電動工具。任何無法以開關控制的機具都很危險且需要維修。
- ▶ 在進行任何調整、更換配件、或貯放電動機具前，請先將插頭拔離插座和 / 或將電池組自電動機具卸下（如可拆卸）。此預防安全措施可降低機具意外啟動的風險。
- ▶ 將閒置的機具貯放在兒童拿不到的地方，勿讓不熟悉或未詳閱本說明的人員操作本機具。機具在未經訓練的使用者手中是很危險的。
- ▶ 維護機具與配件。請檢查移動性零件有無偏移或黏合的情形、零件有無破損，以及任何會影響機具運轉的狀況。如果機具受損，請先維修後再使用。很多意外便是由維護不當的機具造成的。
- ▶ 保持切割機具的銳利與清潔。具銳利切割邊緣的切割機具如果得到適當的維護，便較不會發生黏合的現象，且較容易控制。
- ▶ 遵守本指示說明使用機具、配件和工具組等，並考量工作條件與待進行的工作。將機具用在原目的之外用途可能會造成危險。
- ▶ 保持握把與其表面的乾燥、清潔且不要讓上面出現油漬。握把及其表面濕滑會在意外情況中造成機具無法安全掌控。

#### 電池機具的使用與保養

- ▶ 務必使用原廠指定的充電器進行充電。將適合特定類型電池的充電器使用在其他電池時，會有造成火災的危險。



- ▶ 務必使用機具特別指定的電池匣。使用其他的電池匣可能會造成受傷或火災。
- ▶ 電池匣未使用時，請將其遠離如迴紋針、錢幣、鑰匙、針、固定釘或其他會在電池兩極間形成連結的小型金屬物件。在電池兩極間建立短路可能會造成灼傷或火災。
- ▶ 若使用不當，可能有液體由電池流出；請避免接觸該液體。若不慎接觸，請以清水沖洗。如果不小心讓液體接觸到眼睛，請立即尋求醫療援助。從電池中滲出的液體，可能會導致過敏或灼傷。
- ▶ 請勿使用損壞或改裝過的電池組或機具。受損或改裝過的電池可能會無法正常運作而造成起火、爆炸或受傷的風險。
- ▶ 請勿將電池組或機具暴露在火源或極端的溫度環境中。暴露在火源或溫度超過130° C (265 °F) 的環境下可能會造成爆炸。
- ▶ 請遵守充電操作說明且不要在說明所載的溫度範圍之外為電池組或機具充電。不當充電或在指定溫度範圍外充電均可能造成電池損壞並提高起火的風險。

#### 維修服務

- ▶ 請將機具交給合格的維修人員進行維修，並使用相同的替代零件。這可確保維護機具安全。
- ▶ 請勿自行維修損壞的電池。損壞的電池僅可由製造商或授權的維修商進行維修。

## 2.2 所有電鋸的安全說明

### 切鋸過程

- ▶ **危險**：請保持雙手遠離切割區和鋸片。請用您的另一隻手握住輔助把手或馬達機殼。若以雙手握著電鋸，便不會被鋸片割傷。
- ▶ 請勿將手伸到工件底下。若將手放在工件底下，則當鋸片突出工件下方時防護措施無法發揮作用。
- ▶ 配合工件厚度，調整切割深度。工件底下保持不超過一個完整刀片鋸齒的距離。
- ▶ 請勿將工件物件放在手上或腿上進行切割。使用結實的固定座固定工件。重要的是將工件適當地固定，以儘量降低身體接觸、鋸片卡住或失去控制的風險。
- ▶ 在執行配件工具可能會接觸到隱藏線路之工作時，務必以握住絕緣握把的方式手持機具。接觸帶電的電線也會使電子機具的金屬部件帶電並導致觸電。
- ▶ 在縱向切割時，請一律使用擋塊或直邊引導件。這可更準確的切割並減少鋸片被夾住的情況。
- ▶ 請一律使用正確的鋸片尺寸和合適的軸孔（例如星形或圓形）。無法搭配電鋸硬體的刀片，會導致刀片偏移而失去控制。
- ▶ 請勿使用損壞或錯誤的鋸片墊圈或螺栓。特別為電鋸設計的刀片墊圈和螺栓，可達到最佳效能並確保操作安全。

### 反作用力 - 原因與適用的安全說明

- 反作用力是由於鋸片鉤住、卡住或未對準而引起的突然反應，導致電鋸不受控制而抬起，並從工件往操作人員方向移動；
- 如果鋸片在封閉的切口中被卡住或夾住，則鋸片刹住，且馬達動力會將電鋸反推至操作人員方向；
- 如果鋸片在鋸切中扭曲或未對準，則鋸片後邊緣上的鋸齒可能會卡在工件表面，導致鋸片脫出切口，並使電鋸往操作人員的方向彈回。

會產生反作用力的原因是使用方式錯誤或不當操作本電鋸。採用如下所述之適當程序可避免此情況的發生。

- ▶ 雙手緊緊握電鋸，並將手臂置於可以吸收反作用力的位置。身體應位於鋸片的側面，但不可和鋸片呈一直線。發生反作用力時，圓鋸可能跳回，但操作人員可採取適當的預防措施來控制反作用力道。
- ▶ 當鋸片卡住，或因任何原因需要中斷切割，請關閉電鋸並停在材料上保持不動，直到鋸片完全停止。電鋸正在切割時，切勿將電鋸移開工件或將電鋸往後拉，則可能產生反作用力。了解並採取更正措施，以排除卡住的原因。
- ▶ 要在工件中重新啟動電鋸時，請將鋸片放置到切口中央，且確認鋸齒沒有卡在材料中。鋸片卡住時，如重新啟動電鋸，則可能將其從工件中移出或引起反作用力。
- ▶ 請以大型控制板支撐，以減少鋸片卡住的反作用力風險。大型控制板會因其自身的重量而下垂。控制板必須支撐於兩側，在切口附近和在邊緣。
- ▶ 勿使用已經鈍化或損壞的鋸片。鋸片的鋸齒鈍化或未正確對準時，如果切口過窄，則會導致摩擦力增加、鋸片卡住和反作用力。
- ▶ 進行切割前，請先鎖緊鋸片深度和鋸片角度調整鎖定機桿。切割時變更設定會讓鋸片黏合，造成電鋸產生反作用力。
- ▶ 在牆上或其他盲蔽區域執行切割時，請格外小心。鋸片切入材料時可能會接觸到隱藏的異物，造成反作用力。

## 2.3 其他安全指示

### 人員安全

- ▶ 不可改裝本機具。
- ▶ 雙手隨時緊握機具上的握把。請保持握把的乾燥與清潔，不要讓上面出現油漬。



- ▶ 請配戴耳罩。暴露於噪音環境下會導致聽力受損。
- ▶ 在會製造灰塵，且沒有吸塵設備的場所使用機具工作時，請務必配戴呼吸保護器。
- ▶ 操作本機具時限使用專屬安全裝置。
- ▶ 請在工作中的休息時間放鬆雙手並運動手指，以改善手指的血液循環。
- ▶ 本機具不應由未受特殊訓練且經驗不足的人員使用。
- ▶ 將機具放在兒童拿不到的地方。
- ▶ 請勿在產品未置於工作場所前將其啟動。
- ▶ 貯放或搬運機具之前請先將電池移除。
- ▶ 請勿於頭上方使用本產品。
- ▶ 請勿對鋸片側邊施力以中斷產品運轉。
- ▶ 切口的障礙物必須清除乾淨。請勿切割螺絲及鋼釘等物品。
- ▶ 機具運轉時，請勿碰觸凸緣或固定螺絲。
- ▶ 鋸片旋轉時，嚴禁壓下驅動軸鎖定開關。
- ▶ 切勿將機具指向他人。
- ▶ 調整施在鋸片及正在切割之基材上的壓力，讓刀片不會失速，造成反作用力。
- ▶ 避免鋸齒尖端過熱。
- ▶ 切割塑膠時，應避免塑膠融化。
- ▶ 像是含鉛塗料、部份木材、含砂混凝土 / 石材 / 石頭、礦物與金屬等基材所產生的粉塵可能對人體有害。操作人員與旁觀者接觸或吸入粉塵可能會引起過敏及 / 或造成呼吸問題或其他疾病。像是橡木與山毛櫸木材的粉塵已列為致癌物質，尤其是當它們使用調濕塗料（鉻酸鹽、木材防腐劑）時。包含石棉之基材務必由專人處理。可能的話，請連接除塵系統。若要提高收集粉塵的效率，請使用適合的真空吸塵器。請依照指示，穿戴適合過濾工作粉塵的口罩。確保工作場所良好的通風。請依照國家法規處理您作業的基材。
- ▶ 在開始作業前，請先針對作業時所產生粉塵之危險等級進行檢查。使用符合當地粉塵防治條例，且經法定認為保護等級之工業用吸塵器。
- ▶ 遵守國家健康與安全要求。

#### 電力安全

- ▶ 開始工作前，請先檢查工作區域（例如使用金屬探測器）以確保工作場所是否有隱藏的電纜線、瓦斯管或水管。例如，當不小心損害電纜線時，機具外部的金屬零件可能會導電。這會大大增加發生電擊意外的危險。

#### 小心處理和使用電池

- ▶ 遵守適用於鋰電池之運送、存放與使用的特別指南。
- ▶ 請勿讓電池暴露在高溫下並且遠離火焰。否則會有爆炸風險。
- ▶ 請勿拆解、擠壓或焚燒電池，且不可將電池置放在溫度超過80°C (176°F) 的環境中。與腐蝕性物質接觸會有發生火災、爆炸或受傷的風險。
- ▶ 請勿繼續使用或充電受損的電池（例如有龜裂、破損、彎曲、接觸點凹陷或突起）。
- ▶ 請勿將此電池作為其他未指定電動機具或設備之電源。
- ▶ 若電池溫度過高無法觸摸，表示電池可能已經毀損。此時，可將機具置於可隨時觀察電池並靜置冷卻的非易燃位置，同時遠離易燃物質。請在電池冷卻後聯絡Hilti維修中心。

## 2.4 圓鋸的其他安全說明

- ▶ 待圓鋸啟動後才可讓鋸片與工件接觸。
  - ▶ 鋸切路徑的工件上下方均不可有任何障礙物。請勿切割螺絲、鋼釘或類似物體。
- ▶ 請勿朝上使用圓鋸。
- ▶ 請勿試圖以對側面施壓的方式將鋸片煞停。
- ▶ 避免鋸齒尖端過熱。
- ▶ 請務必使用適合欲切割之基材的鋸片。
- ▶ 僅可使用Hilti建議符合EN 847-1標準的鋸片。

## 2.5 小心處理和使用電池

- ▶ 遵守適用於鋰電池之運送、存放與使用的特別指南。
- ▶ 請勿讓電池暴露在高溫下、讓陽光直接照射或接觸火焰。
- ▶ 請勿拆解、擠壓或焚燒電池，且不可將電池置放在溫度超過80°C (176°F) 的環境中。
- ▶ 請勿使用或充電受到機械性衝擊、從高處摔落或有損壞跡象之電池。在此情況下，務必聯絡Hilti維修中心。

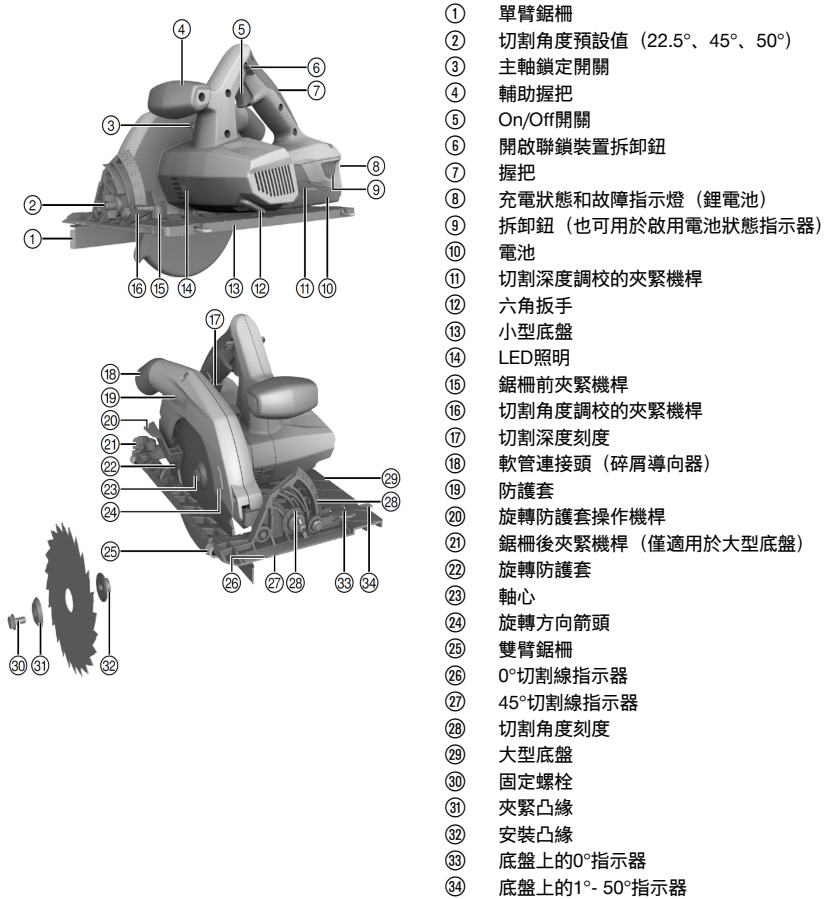




- ▶ 若電池溫度過高無法觸摸，表示電池可能已經毀損。將電池放在清楚可見且沒有火災危險、遠離易燃材料的位置。讓電池冷卻。若一小時後電池溫度仍然過高無法觸摸，表示電池可能已經毀損。聯絡Hilti維修中心。

### 3 說明

#### 3.1 產品總覽



- ① 單臂鋸柵
- ② 切割角度預設值 (22.5°、45°、50°)
- ③ 主軸鎖定開關
- ④ 輔助握把
- ⑤ On/Off開關
- ⑥ 開啟聯鎖裝置拆卸鈕
- ⑦ 握把
- ⑧ 充電狀態和故障指示燈 (鋰電池)
- ⑨ 拆卸鈕 (也可用於啟用電池狀態指示器)
- ⑩ 電池
- ⑪ 切割深度調校的夾緊機桿
- ⑫ 六角扳手
- ⑬ 小型底盤
- ⑭ LED照明
- ⑮ 鋸柵前夾緊機桿
- ⑯ 切割角度調校的夾緊機桿
- ⑰ 切割深度刻度
- ⑱ 軟管連接頭 (碎屑導向器)
- ⑲ 防護套
- ⑳ 旋轉防護套操作機桿
- ㉑ 鋸柵後夾緊機桿 (僅適用於大型底盤)
- ㉒ 旋轉防護套
- ㉓ 軸心
- ㉔ 旋轉方向箭頭
- ㉕ 雙臂鋸柵
- ㉖ 0°切割線指示器
- ㉗ 45°切割線指示器
- ㉘ 切割角度刻度
- ㉙ 大型底盤
- ⑳ 固定螺栓
- ㉑ 夾緊凸緣
- ㉒ 安裝凸緣
- ㉓ 底盤上的0°指示器
- ㉔ 底盤上的1°- 50°指示器

#### 3.2 導引滑軌錐形套

- ⑳ 後側卡榫
- ㉑ 前側卡榫
- ㉒ 0°指示器
- ㉓ 1°- 50°指示器

#### 3.3 用途

此處所述產品為充電式圓鋸。本機具適用於切割木材、仿木材料、金屬、塑膠、石膏板、石膏纖維板及合成基材。

手持型圓鋸配有一個選配吸塵器 / 除塵器的可拆式連接件，該連接件設計用於一般吸塵軟管。要將真空吸塵器軟管連接至電鋸，可能需要使用合適的轉接器。

- ▶ 不可使用未符合規格 (例如直徑、旋轉速度、厚度) 的鋸片，或高合金鋼材 (HSS鋼材) 製成的切割及研磨碟片或刀片。請勿使用本機具切割金屬。



- ▶ 請勿使用本產品砍切樹枝或樹幹。
- ▶ 本產品限使用B 22系列Hilti鋰電池。
- ▶ 以上電池限使用C4/36系列Hilti電池充電器。

### 3.4 鋰電池顯示幕

鋰電池上的顯示幕會表示鋰電池的充電狀態和機具的功能故障。按下兩個電池拆卸鈕的其中一個後，將會顯示鋰電池的充電狀態。

狀態	意義
4個LED亮起。	充電狀態：75 %至100 %
3個LED亮起。	充電狀態：50 %至75 %
2個LED亮起。	充電狀態：25 %至50 %
1個LED亮起。	充電狀態：10 %至25 %
1個LED閃爍，表示機具已可使用。	充電狀態：< 10 %
1個LED閃爍，表示機具不可使用。	電池過熱或已完全放電。
4個LED閃爍，表示機具不可使用。	機具已過載或過熱。

按下控制開關然後放開控制開關超過5秒後，將無法顯示電池充電狀態。  
若電池充電狀態LED燈閃爍，請遵守「故障排除」章節所提供的指示。

### 3.5 鋸柵

使用單臂鋸柵可以沿著工件邊緣精準切割或以相同寬度將工件鋸成條狀。  
鋸柵可安裝在底盤的任一側。

### 3.6 配備及數量

圓鋸、鋸片、六角扳手、鋸柵、真空吸塵器的軟管連接頭、操作說明（選配：導引滑軌錐形套）

要選購Hilti認可的備件、耗材和配件，請至當地Hilti Store或網站：[www.hilti.group](http://www.hilti.group)。

### 3.7 配件

夾緊凸緣、固定凸緣、固定螺栓。

## 4 技術資料

### 4.1 圓鋸

	SC 70W-A22
額定電壓	21.6 V
重量 (依據EPTA程序01)	4.8 kg
指定鋸片直徑	190 mm
鋸片碟片厚度	0.7 mm ... 1.5 mm
切口寬度	1.5 mm ... 2 mm
鋸片軸尺寸	30 mm
無負載下額定轉速	3,500 rpm
0°時的最大切割深度	70 mm
45°時的最大切割深度	51 mm
50°時的最大切割深度	45 mm
斜角切割角度	0° ... 50°
操作溫度	-10 °C ... 50 °C
貯放溫度範圍 (不含電池)	-30 °C ... 70 °C



## 4.2 電池

電池操作電壓	21.6 V
操作時的環境溫度	-17 °C ... 60 °C
貯放溫度	-20 °C ... 40 °C
電池充電啟動溫度	-10 °C ... 45 °C

## 4.3 噪音資訊和震動值的量測標準依據EN 62841

操作說明中所提供之音壓和震動值已參照標準測量，並可用來比較不同機具之噪音。它們也可作為噪音量的初步評估。提供之資料表示機具主要應用時之數值。若機具應用於不同之用途，搭配不同的配件或在保養不良的情況下，其數據可能有所不同。在作業過程中，這有可能大幅提高其噪音量。當機具關閉，或開啟但未進行任何作業時也應列入考量，才能準確評估噪音量。如此一來，作業過程中的總噪音量將大幅降低。確認其他安全措施，以保護操作員不受噪音和 / 或震動影響，例如：保養機具與其配件、操作前保持雙手溫暖、作業型式之安排等。

### 噪音量測標準依據EN 62841

	<b>SC 70W-A22</b>
聲功率級數 (L <sub>WA</sub> )	103 dB(A)
無法判定的聲功率級數 (K <sub>WA</sub> )	3 dB(A)
音壓級數 (L <sub>pA</sub> )	92 dB(A)
無法判定的音壓級數 (K <sub>pA</sub> )	3 dB(A)

### 震動總值（三方向的震動向量和），量測標準依據EN 62841

	<b>SC 70W-A22</b>
木材切割的震動噪音值 (A <sub>h, w</sub> )	0.93 m/s <sup>2</sup>
無法判定 (K)	1.5 m/s <sup>2</sup>

## 5 操作

### 5.1 工作場所的準備工作

#### 5.1.1 為電池充電

1. 電池充電前，請閱讀充電器的操作手冊。
2. 確認電池的接點和充電器的接點清潔且乾燥。
3. 請使用經認可的充電器對電池充電。 275

#### 5.1.2 置入電池



**警告**

有受傷的危險 因短路或電池掉落！

- ▶ 置入電池前，請確認電池的接點及產品的接點上無任何異物。
- ▶ 確認電池已確實咬合。

1. 初次使用前，請將電池完全充電。
2. 將電池推入產品中，直到聽到卡入聲。
3. 請檢查電池是否安裝牢固。

#### 5.1.3 卸下電池

1. 按下電池拆卸鈕。
2. 請將電池自充電器卸下。

#### 5.1.4 移除鋸片



**警告**

在鋸片、固定螺栓和夾緊凸緣上有造成燙傷、割傷的危險。可能導致燙傷和割傷。

- ▶ 更換刀片時請配戴手套。

1. 卸下電池。



- 將六角扳手插入鋸片固定螺栓。
- 按下主軸鎖定開關，並按住不動。
- 用六角扳手轉動鋸片固定螺栓直到主軸鎖定開關完全卡住為止。
- 朝旋轉箭頭方向轉動六角扳手，鬆開固定螺栓。
- 從外側凸緣卸下固定螺栓。
- 將旋轉防護套擺動到側邊將其開啟，然後卸下鋸片。



如有需要，您可以拆下固定凸緣進行清潔。

### 5.1.5 安裝鋸片

#### 注意

有損壞的危險！不適用或未正確安裝的鋸片可能會造成電鋸損壞。

- ▶ 僅能使用此電鋸適用的鋸片。依鋸片上的旋轉方向箭頭使用。
- ▶ 僅可使用最大額定速率至少等於產品最大運轉速度的鋸片。



檢查欲安裝的刀片是否符合技術規格要求，且已磨利。欲有完美切割，鋒利的鋸片為最基本的必要條件。

- 卸下電池。
- 清潔固定凸緣及夾緊凸緣。
- 從正確方向將固定凸緣安裝至軸心。
- 打開旋轉防護套。
- 安裝新鋸片。
- 從正確方向安裝外側的凸緣。
- 插入固定螺栓。
- 將六角扳手插入鋸片固定螺栓。
- 按下軸心鎖定開關。
- 朝旋轉箭頭的反方向轉動六角扳手，以固定螺栓緊固夾緊凸緣。
  - ▶ 主軸鎖定開關咬合。
- 使用機具前，請先檢查鋸片是否已確實裝入並完全鎖緊。

### 5.1.6 調整切割深度

- 卸下電池。
- 鬆開切割深度調校夾緊機桿。
- 以剪刀式運動提起產品，以關閉夾緊機桿的方式設定到想要的切割深度。



切割深度應該設定為比欲切割的基材厚約5到10 mm的深度。  
鋸片護罩後方的刻度和指標會顯示深度設定。

### 5.1.7 設定斜切角度

- 卸下電池。
- 鬆開切割角度調校夾緊機桿。
- 將產品旋轉至所需的位置。



切割角度預設值，可快速設定最大角度（22.5°、45°、50°）

- 鎖緊切割角度調校夾緊機桿。

### 5.1.8 沿線切割



圓鋸的底盤前緣為直線切割與斜切（0°與45°）用的切割線指示器。如此可使用需要的斜切角度進行精確切割。切割線指示燈的邊緣對應著鋸片內側。有一個切割線指示燈位在鋸片前方開啟處及底盤末端。





- 將工件固定以防止移動。
- 將工件放好，讓鋸片可在工件下移動順暢。
- 檢查確認機具上的On/Off開關位在關閉位置。
- 將鋸片底盤的前段放在工件上，但不要讓刀片接觸到工件。

1. 裝入電池。
2. 按下安全鎖的同時，按下On/Off按鈕將產品開啟。
3. 以合適的速度帶著產品在工件上沿著切割線移動。

### 5.1.9 安裝 / 調整鋸柵

1. 卸下電池。
2. 將固定螺栓固定在底盤，並為放入平行導規保留足夠的空間。
3. 從固定螺栓下方滑入鋸柵溝槽。
4. 將鋸柵設定為正確的切割寬度。
5. 鎖緊固定螺栓。



鋸柵（單臂 / 雙臂）可安裝在底盤的任一側。雙臂鋸柵僅可搭配大型底盤使用  
使用鋸柵可以沿著工件邊緣精準切割或以相同寬度將工件鋸成條狀。

### 5.1.10 安裝導引滑軌錐形套



電鋸可與導引滑軌錐形套配件搭配使用。  
使用電鋸搭配小型底盤時，請使用符合導引滑軌的導引滑軌錐形套。

1. 卸下電池。
2. 若有使用鋸柵，請將其取下。
3. 將底座安裝於導引滑軌錐形套的側邊固定溝槽內。
4. 將底座完全插入導引滑軌錐形套內。
5. 將兩側盡量推進提供的承座，直到導引滑軌錐形套緊固為止。

## 5.2 工作

### 5.2.1 開啟開關

- ▶ 按下安全鎖的同時，按下On/Off按鈕將產品開啟。

### 5.2.2 關閉開關

- ▶ 鬆開On/Off開關將機具停住。

### 5.2.3 以0°縱向切割

1. 將圓鋸放到引導滑軌上，並對準滑軌溝槽螺紋上標示「0°」的位置。
2. 按下安全鎖的同時，按下On/Off按鈕將產品開啟。
3. 以合適的速度引導產品在工件上沿著滑軌移動。

### 5.2.4 以最大50°的角度縱向切割

1. 設定角度。



#### 警告

斜鋸時發生碰撞的危險！鋸片與導引滑軌間的碰撞。

- ▶ 將電鋸放到引導滑軌上，並對準正確的溝槽。否則鋸片會碰到導引滑軌。
2. 將電鋸放到引導滑軌上，並對準滑軌溝槽螺紋上標示「1- 50°」的位置。
  3. 按下安全鎖的同時，按下On/Off按鈕將產品開啟。
  4. 以合適的速度引導產品在工件上沿著滑軌移動。

### 5.2.5 在工件表面以一角度進行切割

1. 將導引滑軌與零位刻度放在工件邊緣，接著將滑軌旋轉至角度刻度上顯示欲切割的角度相對於零位刻度的位置。顯示的切割角度為從一直線、直角的切割所偏移的角度。
2. 使用兩個螺絲夾子穩固導引滑軌。



3. 將圓鋸放到引導滑軌上，並對準滑軌溝槽螺紋上標示「0°」的位置。
4. 按下安全鎖的同時，按下On/Off按鈕將產品開啟。
5. 以合適的速度引導產品在工件上沿著滑軌移動。

### 5.2.6 使用未附吸除粉塵及碎屑設備的電鋸

1. 確認鋸屑已彈出且未構成阻塞。
2. 如有需要，可使用產品隨附的六角扳手鬆開六角套筒螺絲，將鋸片護罩的軟管連接器卸下。

## 6 維護和保養

### 警告

電池裝入時有受傷的危險！

- ▶ 進行維護及保養前，請務必卸下電池！

#### 產品保養

- 小心地清除頑強的髒污。
- 若有，請使用乾燥的軟刷子小心地清潔通風口。
- 僅可使用微濕的軟布清潔機殼。請勿使用含矽膠的清潔或亮光劑，因為可能會造成塑膠零件損壞。
- 請使用乾淨的乾布清潔產品的接點。

#### 鋰電池的保養

- 通風口堵塞時請勿使用電池。請使用乾燥的軟刷子小心地清潔通風口。
- 請避免電池暴露在粉塵或髒污的環境之中。請勿讓電池接觸過高的濕氣（例如：浸入水中或淋雨）。電池若濕透，請將該電池視為已受損。請將電池隔絕在不可燃的容器內，並洽詢Hilti維修中心。
- 避免電池沾上油脂。避免讓電池上積聚粉塵或髒污。請使用乾燥的軟刷或乾淨的乾布清潔電池。請勿使用含矽膠的清潔或亮光劑，因為可能會造成塑膠零件損壞。請勿觸摸電池的觸點或從觸點上去除廠塗敷的油脂
- 僅可使用微濕的軟布清潔機殼。請勿使用含矽膠的清潔或亮光劑，因為可能會造成塑膠零件損壞。

#### 維護

### 警告

電擊的風險！損壞的電子零件會造成嚴重的人員傷害及灼傷。

- ▶ 機具或設備電力部分的維修僅可交由訓練過的電力專員處理。

- 定期檢查外部零件和控制元件有無損壞跡象，並確認它們運作正常。
- 如果有損壞跡象或任何零件功能故障，請不要操作本產品。請立即將產品交付Hilti維修中心進行維修。
- 清潔及保養後，裝上所有防護套或保護裝置並檢查功能是否正常。



為確保運作的安全及可靠性，請務必使用原廠Hilti備件、耗材與配件。您可以在Hilti Store或在以下網站選購Hilti認可的備用零件、耗材和配件：[www.hilti.group](http://www.hilti.group)

### 6.1 清潔安全防護套

1. 清潔安全防護套零件前先移除鋸片。
2. 使用乾燥的刷子小心清潔安全防護套零件。
3. 使用合適的工具去除安全防護套零件內側表面附著的沉積物或切片。
4. 裝上鋸片。

### 6.2 碎屑 / 粉塵通道阻塞時的程序

1. 卸下電池。
2. 清潔碎屑 / 灰塵通道。



必要時，請移除鋸片。 277

3. 觀察機器上的旋轉零件是否運作正常，轉動時會不會卡住。檢查是否有零件損壞，是否有任何會影響產品正常運作的異常現象。



### 6.3 清潔與維修後的檢查



在清潔或維修後，請檢查所有安全裝置均已安裝且正常運作。

- ▶ 要檢查旋轉防護套，請移動防護套操作機桿以完全打開防護套。
  - ▶ 鬆開防護套操作機桿後，必須迅速並完全關閉旋轉防護套。

## 7 搬運和貯放

### 充電式工具和充電電池的運輸

#### 注意

搬運時意外啟動！

- ▶ 搬運產品時務必卸下電池！

- ▶ 取出電池。
- ▶ 切勿散裝運輸電池。運送過程中，應保護電池避免衝擊與震動並與導電物質或其他電池隔離，以免因與電池端子接觸而造成短路。請遵守您所在地當地的電池運輸規範。
- ▶ 請勿以郵寄方式遞送電池。若要運送未損壞之電池，請洽詢運送服務商。
- ▶ 每次使用前以及長途運輸前後請檢查本產品和電池是否受損。

### 充電式工具和充電電池的貯放

#### 警告

瑕疵或漏液的電池所造成的意外損害！

- ▶ 存放產品時，一律不可插入電池！
- ▶ 請將本產品和電池存放在陰涼及乾燥處。請遵守技術性數據中所規定的溫度極限值。
- ▶ 請勿將電池貯放在充電器中。完成充電程序後，請將電池從充電器取出。
- ▶ 請勿將電池存放在有日光直射處、熱源上或玻璃後方。
- ▶ 請將本產品和電池存放在兒童或未授權人員無法觸及的地點。
- ▶ 每次使用前以及長時間存放前後請檢查本產品和電池是否受損。

## 8 故障排除

- ▶ 若您遇到未列出的問題或是無法自行排除的問題，請聯絡Hilti維修中心。

### 8.1 圓鋸未正常運作

故障	可能原因	解決方法
LED未亮起。	電池沒有完全置入。	▶ 裝入電池。
	電池已放電。	▶ 為電池充電。
1個LED閃爍。	該電池過熱或過冷。	▶ 將電池置於正確的環境溫度內。
	電池已放電。	▶ 為電池充電。
4個LED閃爍。	該電池過熱或過冷。	▶ 將電池置於正確的環境溫度內。
	圓鋸暫時過載。	▶ 按一下On/Off開關，然後放開。
	過熱防護斷電系統已啟動。	▶ 讓圓鋸冷卻並清潔通風口。

### 8.2 圓鋸正常運作

故障	可能原因	解決方法
無法按下On/Off按鈕，亦即按鈕已鎖住。	非故障（安全功能）。	▶ 按下安全鎖。
運轉速度突然急速下降。	電池已放電。	▶ 為電池充電。
	電鋸推進壓力過高。	▶ 降低推進壓力再重新啟動機具。
未將碎屑 / 切片運輸至碎屑集中器，因而掉落至底盤。	碎屑集中器已滿。	▶ 清空碎屑收集裝置。
	碎屑彈出器溝槽阻塞。	▶ 清潔彈出器。 280



故障	可能原因	解決方法
鋸片失速。	電鋸推進壓力過高。	▶ 降低推進壓力再重新啟動機具。
電池較一般電池壽命短。	電池電力非處於最佳狀態。	▶ 更換電池。
電池咬合時沒有發出兩聲「喀啦」聲。	電池上的卡榫太髒。	▶ 清潔卡榫並推入電池，直到確實咬合。如果問題依然存在，請您洽詢Hilti服務處。
圓鋸或電池變的很燙。	電力故障。	▶ 立刻關閉圓鋸。請取下電池並置於可隨時觀察的位置。讓電池冷卻。聯絡Hilti維修中心。
	產品已超載（超出其應用限制）。	▶ 選擇適用的機具。
電鋸強烈振動	鋸片未正確安裝	▶ 正確安裝鋸片。 278

## 9 廢棄設備處置

### 警告

不當的廢棄物處理可能導致人員受傷！洩漏出來的氣體或液體有害健康。

- ▶ 請勿以郵寄方式寄送電池。
- ▶ 將電池端子蓋上不導電物質（例如絕緣膠帶）以避免短路。
- ▶ 請將電池棄置於兒童無法觸及的地方。
- ▶ 請將該電池送交Hilti Store處理或洽詢權責的廢棄處理公司。

Hilti產品所採用的材料大部分均可回收再利用。材料在回收前必須正確地分類。Hilti在許多國家都有提供老舊機具回收服務。請洽詢Hilti客服中心或您在地經銷商。



- ▶ 不可將電動工具、電動裝置和電池當成一般垃圾丟棄！

## 10 RoHS (有害物質限制指令)

按一下本連結可前往危險物質表：[qr.hilti.com/r2937785](http://qr.hilti.com/r2937785)。

您可在文件最後找到QR碼格式的RoHS表連結。

## 11 製造商保固

- ▶ 如果您對於保固條件有任何問題，請聯絡當地Hilti代理商。

Hilti Taiwan Co., Ltd.

24F., No. 16, Xinzhan Rd., Banqiao Dist., New Taipei City 220, Taiwan (R.O.C.)

Tel. 0800-221-036

## 原版操作说明

### 1 关于本操作说明的信息

#### 1.1 关于本操作说明

- 首次使用或操作产品前，先阅读本操作说明。这是安全、无故障操作和使用产品的先决条件。
- 请注意本操作说明中以及产品上的安全说明和警告。
- 请务必将本操作说明与本产品保存在一起，确保将操作说明随产品一起交给他人。

#### 1.2 所用标志的说明

##### 1.2.1 警告

警告是为了提醒您在处理或使用此产品时会发生的危险。使用以下信号词：





**⚠ -危险-**

危险！

- ▶ 用于让人们能够注意到会导致严重身体伤害或致命的迫近危险。

**⚠ -警告-**

警告！

- ▶ 用于提醒人们注意可能导致严重或致命伤害的潜在危险。

**⚠ -小心-**

小心！

- ▶ 用于提醒人们注意可能造成人身伤害、设备损坏或其他财产损失的潜在危险情况。

### 1.2.2 操作说明中的符号

本操作说明中使用下列符号：

	遵守操作说明
	使用说明和其他有用信息
	处理可回收材料
	不得将电气设备和电池作为生活垃圾处置
	Hilti 锂离子电池
	Hilti 充电器

### 1.2.3 图示中的符号

图示中使用了下列符号：

	这些编号指本操作说明开始处的相应图示。
	图示中的编号表示重要的操作步骤或对操作步骤重要的部件。这些操作步骤或部件在文本中使用相应的编号突出显示，例如 (3)。
	位置编号被用于概览图中并表示产品概览段落中的图例编号。
	这些符号旨在提醒您在操作本产品时要特别注意的某些要点。

## 1.3 取决于产品的符号

### 1.3.1 符号

产品上可以使用下列符号：

$n_0$	额定空载转速
$\text{---}$	直流电 (DC)
RPM	每分钟转数
$\emptyset$	直径
	锯片
	本产品支持无线数据传输，兼容 iOS 和 Android 平台。
Li-Ion	锂离子电池



	使用 Hilti 锂离子电池类型系列。请注意“合规使用”一章中所述信息。
	切勿将电池用作敲击工具。
	请勿让电池掉落。切勿使用受到撞击或有任何损坏的电池。

## 1.4 产品信息

产品设计适用于专业用户，只有经过专门训练的授权人员才允许操作、维修和维护本产品。必须将任何可能的危险专门告知该人员。不按照既定用途使用或由未经培训的人员不正确地使用本产品及其辅助设备可能会带来危险。

型号名称和序列号印在铭牌上。

▶ 在下表中填写序列号。在联系 Hilti 维修中心或当地 Hilti 机构询问产品时，将要求您提供产品的详细信息。

### 产品信息

圆锯	SC 70W - A22
分代号	01
序列号	

## 1.5 符合性声明

按照我们单方面的责任，我们声明本产品符合下列适用指令和标准：一致性声明副本位于本文档结尾处。

技术文档在此处归档：

Hilti Entwicklungsgesellschaft mbH | Tool Certification | Hiltistrasse 6 | 86916 Kaufering, Germany

## 2 安全

### 2.1 一般电动工具安全警告

**警告** 请阅读本电动工具随附的所有安全警告、说明、图示和技术规范。不遵守下列所有操作说明可能会导致电击、火灾和/或严重人身伤害。

请保存所有安全警告和操作说明，以供将来参考。

在所有下列的警告中术语“电动工具”指市电驱动(有线)电动工具或电池驱动(无线)电动工具。

#### 工作区域安全

- ▶ 保持工作区域清洁和良好照明。杂乱和黑暗的区域容易导致事故。
- ▶ 不要在爆炸性环境中操作电动工具，例如有易燃液体、气体或灰尘。电动工具会产生可以点燃这些灰尘或烟雾的火花。
- ▶ 在操作电动工具时，要令儿童和旁观者远离工作现场。万一分心，可能会使您失去对电动工具的控制。

#### 电气安全

- ▶ 电动工具(设备)插头必须匹配电源插座。切勿以任何方式改动插头。对于接地的电动工具(设备)，不要使用任何适配器插头。使用未经改动的插头和匹配的电源插座可以大大减少电击危险。
- ▶ 避免人体接触接地表面，如管道、散热片和冰箱。如果您的身体接地，则会增加电击危险。
- ▶ 不要将电动工具暴露在雨水或潮湿环境中。电动工具进水将会增加电击危险。
- ▶ 不要滥用电缆。切勿使用电缆运送、拉动或拔出电动工具。保持电缆远离高温、油、锋利边缘或运动部件。电缆损坏或缠绕会增加电击危险。
- ▶ 当在户外操作电动工具时，应使用经认可适合户外操作的加长电缆。使用适合户外使用的电缆可减少电击危险。
- ▶ 如果在潮湿环境下操作电动工具是不可避免的，应使用剩余电流动作保护器(RCD)。使用 RCD 可减小电击危险。

#### 人身安全

- ▶ 保持警觉，注意您正在进行的工作，并在操作电动工具的过程中，应利用自己的判断能力。当您疲劳或受到药物、酒精或医疗影响时，请不要使用电动工具。当操作电动工具时，瞬间的分心都可能导致严重的人身伤害。
- ▶ 使用个人防护装备。一定要戴上护目装置。安全装置，诸如适当条件下使用防尘面具、防滑安全鞋、安全帽、听力防护等装置能减少人身伤害。
- ▶ 防止电动工具意外启动。在连接至电源和/或电池组、拿起或搬运电动工具之前，应确保开关处于“关闭”位置。将手指放在开关上搬运电动工具或在开关处于“打开”位置时接通电源，都可能会导致事故发生。



- ▶ 在打开电动工具之前，必须拿掉任何调整键或扳手。让扳手或调整键留在电动工具的旋转部件上可能会导致人身伤害。
- ▶ 不要操之过急。应时刻保持正确的站姿和平衡。这在意外情况下能够更好地控制电动工具。
- ▶ 应确保正确着装。不要穿着松垮的衣服或佩戴首饰。让头发和衣服远离运动部件。松垮的衣服、首饰或长发会卡在运动部件中。
- ▶ 如果提供有助于连接除尘和集尘设施的装置，应确保将它们连接好并正确使用。使用除尘装置可以减少与灰尘相关的危险。
- ▶ 经常使用工具能令您获得较高的熟练度，但不能因此掉以轻心和忽视工具安全准则。一次不慎操作就会在瞬间导致重伤。

#### 电动工具的使用和维护

- ▶ 不要强制使用电动工具。针对您的应用场合使用正确的电动工具。正确的电动工具在其额定设计值范围内将能够更好和更安全地工作。
- ▶ 如果通过开关不能使其打开和关闭，则请不要使用电动工具。任何不能通过开关进行控制的电动工具都是危险的，必须对其进行修理。
- ▶ 在进行任何调整、更换配件或存放电动工具之前，应从电源上断开插头和/或从电动工具上拆下电池组（若可拆卸）。此预防性安全措施可减少意外启动电动工具的危险。
- ▶ 将不用的电动工具存放在儿童拿不到的地方，并且不要让不熟悉电动工具或其操作说明的人员操作电动工具。未经培训的用户操作电动工具是危险的。
- ▶ 维护电动工具和配件。检查是否存在运动部件失调或卡滞、部件断裂和任何其它影响电动工具操作的情况。如果存在损坏，则在使用之前应修理电动工具。许多事故都是由于电动工具维护不良造成的。
- ▶ 保持切削工具锋利和清洁。带锋利切削刃的切削工具如果维护得当，很少会发生卡滞且更容易控制。
- ▶ 按照使用说明书，考虑作业条件和进行的作业来使用电动工具、附件和工具的刀头等。将电动工具用于指定用途以外的场合会导致危险。
- ▶ 使手柄和抓握面保持干燥、清洁且没有油脂。如果手柄和抓握面打滑，将无法在意外情况下安全操作或控制本工具。

#### 无绳（电池操作）工具/设备的使用和维护


- ▶ 充电时只能使用制造商指定的充电器。适合某种类型电池组的充电器如果被用于为另一类型电池组充电，则可能会带来火灾危险。
- ▶ 只能使用专用电池组为电动工具供电。使用任何其它电池组可能会带来人身伤害和火灾。
- ▶ 当电池组不用时，应使其远离其它金属物体，例如纸夹、硬币、钥匙、钉子、螺钉或其它小的金属物体，以免造成短路。如果电池端子被短路，则会造成人员烧伤或火灾。
- ▶ 如果持续滥用电池，则可能会造成液体从电池中喷射出来；注意避免接触到液体。如果意外接触到液体，应用水冲洗。如果液体接触眼睛，除了用大量清水冲洗外，还应立即就医。从电池中喷射出来的液体会导致疼痛或灼伤。
- ▶ 不要使用损坏或改装过的电池组或工具。损坏或改装过的电池会造成不可预测的情形，导致火灾、爆炸或受伤风险。
- ▶ 不要将电池组或工具暴露在明火或过高的温度中。暴露在明火或超过 130 °C (265 °F) 温度中可能导致爆炸。
- ▶ 遵守所有充电说明，且不要在使用说明规定的温度范围之外对电池组或工具充电。充电不正确或在规定温度范围之外充电会损坏电池并增加火灾风险。

#### 保养

- ▶ 将您的电动工具送交专业维修人员，使用同样的备件进行修理。这样才可确保维持电动工具（设备）的安全性。
- ▶ 切勿擅自维修损坏的电池组。仅可由制造商或授权服务提供商执行电池组的维修。

## 2.2 有关所有圆锯的安全说明

### 锯切过程

- ▶  **危险**：应保持双手远离切割区域和锯条。用另一只手握紧辅助手柄或电动机壳体。双手握紧圆锯时不会被锯片割伤。
- ▶ 不要将锯伸入工件下方进行锯切。防护罩无法保护您免受工件下方的锯片的伤害。
- ▶ 根据工件厚度调节锯切深度。在工件的下方应不能看到锯齿的全部长度。
- ▶ 切勿单手或把持工件或放在腿上。应将工件固定在坚固的支架上。重要的是牢牢固定住工件，以最大限度地减少身体接触，降低锯片卡住或失控的风险。
- ▶ 如果配套工具的工作区域可能接触到隐藏的线束，只能握住电动工具的绝缘把手表面进行操作。接触到带电导线会使电动工具的金属件带电，从而使操作者受到电击。
- ▶ 纵向切割时，请始终使用挡块或直边导轨。这可改善切割的精度，并降低粘锯的可能性。



- ▶ 请始终使用尺寸正确且带合适定位孔 (比如星形或圆形) 的锯片。与圆锯安装硬件不匹配的锯片将会离心运行, 从而失去控制。
- ▶ 切勿使用损坏或不正确的锯片垫圈或螺栓。锯片垫圈和螺栓专为您的圆锯而设计, 以获得最佳的性能和操作安全。

#### 反冲 - 原因及相应安全说明

- 反冲是锯片被钩住、夹住或未对准的一种突然反应, 这会导致圆锯失控地脱离工件朝操作人员方向移动;
- 当锯片在封闭的锯口中被钩住或卡住时, 圆锯会被锁止且被电力推向操作人员;
- 如果锯片在锯切中扭转或未对准, 则锯片后边缘上的齿可能会卡在工件表面, 从而导致锯片从锯口中移出, 且圆锯朝操作人员方向弹出。

锯片使用不当和/或操作程序或条件不正确都可能会导致反冲。反冲可以通过采取以下预防措施加以避免。

- ▶ 双手紧紧握住圆锯, 将手臂置于可以吸收反冲力的位置。身体应站在锯条的一侧, 切勿与锯条在一条线上。发生反冲时, 圆锯可能向后跳, 但操作人员可以采取适当的预防措施来控制反冲力。
- ▶ 如果锯片卡住, 或出于任何原因中断操作时, 请关闭圆锯, 使其在物料中保持不动, 直至锯片完全停下来。当锯条运动时, 切勿试图从工件中移走锯或向后拨动锯, 否则锯条会发生反冲。查找并采取正确的纠正措施消除锯片夹住的原因。
- ▶ 在工件中重新启动圆锯时, 将锯条置于锯口中心, 检查并确认锯齿未切入工件中。如果锯片被夹住, 则可能在重新启动圆锯时导致锯片从工件中移出或产生反冲。
- ▶ 支撑住大型面板, 以降低因锯片被夹住而产生反冲的风险。大型面板在其自身重量下有下陷的趋势。必须在靠近锯口和边缘的两侧都支撑住面板。
- ▶ 不要使用不锋利/钝化或损坏的锯条。如果锯片的锯齿变钝或未对齐, 则可能会因为锯口过窄而导致摩擦力增大, 导致锯片被夹住和反冲。
- ▶ 锯切前, 先拧紧锯片深度和锯片角度调节锁紧杆。如果锯条正在切割时, 设置发生改变, 锯条会卡滞, 导致发生反冲。
- ▶ 当锯入墙壁或其它盲区时, 应极其小心。因为锯进入物料时可能会碰到隐藏障碍, 导致发生反冲。

### 2.3 附加的安全说明

#### 人身安全

- ▶ 不允许对电动工具进行改装。
- ▶ 应始终用双手稳稳握住机器上的把手。保持把手干燥、清洁和没有油脂。
- ▶ 戴上护耳装置。如果直接暴露在噪音中, 则可能会导致听力受损。
- ▶ 当所进行的工作会产生灰尘时, 如果在没有除尘系统的情况下使用电动工具, 则必须戴上呼吸防护装置。
- ▶ 只能将工具与其配套的安全装置一起使用。
- ▶ 在工间休息期间, 可放松双手和锻炼手指, 以改善手指的血液循环。
- ▶ 本电动工具不能由未接受特殊培训的无经验人员使用。
- ▶ 将电动工具放到儿童接触不到的地方。
- ▶ 置于工作场所之前, 不要打开产品开关。
- ▶ 在存储或运输电动工具之前, 必须拆下电池。
- ▶ 不要使用本产品进行高空作业。
- ▶ 不要尝试通过对锯片施加侧向压力来对本产品进行制动。
- ▶ 锯口处必须无障碍物。不得锯入螺钉和钉子等物体。
- ▶ 电动工具运行时不得触摸夹紧用法兰或夹紧螺钉。
- ▶ 当锯片在旋转时, 切勿按下驱动主轴锁止按钮。
- ▶ 切勿将电动工具引向他人。
- ▶ 调节对锯片和所切割材料施加的压力, 以免锯片停止, 否则可能出现反冲。
- ▶ 避免锯片齿尖过热。
- ▶ 切割塑料时应避免塑料熔化。
- ▶ 一些材料产生的灰尘, 例如含铅油漆、某些木屑、混凝土/砖石建筑/含二氧化硅的石块、矿物以及金属, 可能对人体有害。接触或吸入这些灰尘可能会导致操作者或旁观者出现过敏反应和/或呼吸疾病或其他疾病。某些种类的灰尘还属于致癌物质, 例如橡木和山毛榉木灰尘, 特别是在带木材调节添加剂 (铬酸盐、木材防腐剂) 时。含石棉的材料只能由专业人员进行处理。请尽可能使用除尘装置。为达到高水平的除尘效果, 应使用合适的真空吸尘器。如有指示, 佩戴适用于所产生粉尘类型的呼吸器。确保工作场所良好通风。遵守有关工作材料的国家要求。
- ▶ 在开始工作之前, 应测定会产生的灰尘的危险等级。使用具有官方认可防护等级的工业真空吸尘器, 并遵守当地适用的灰尘防护规定。
- ▶ 遵守国家健康和国家安全要求。



## 电气安全

- ▶ 在开始工作之前，应检查工作区域 (例如使用金属探测器) 以确保没有隐藏的电缆或煤气管和水管。如果有电缆意外受损，则电动工具的外部金属部件可能会因接触而带电。这会导致严重的电击危险。

## 小心处理和使用电池

- ▶ 遵守适用于锂离子电池的运输、存放和使用的专用指南。
- ▶ 不得将电池暴露在高温或明火环境下。会有爆炸危险。
- ▶ 不要分解、挤压或焚烧电池，不要将其暴露在高于 80 °C (176 °F) 的温度条件下。接触腐蚀性物质会带来火灾、爆炸或受伤危险。
- ▶ 切勿继续使用损坏的电池 (例如出现裂纹、部件断裂、触点弯曲或被推入/拉出的电池) 或尝试对其充电。
- ▶ 不要将电池用作其它非指定电动工具或设备的电源。
- ▶ 如果电池发热烫手，则可能有故障。在这种情况下，将电动工具放在不易燃的地方，远离易燃材料，对电池进行观察并使其冷却。在电池冷却后，联系 Hilti 维修中心。

## 2.4 有关园锯的附加安全说明

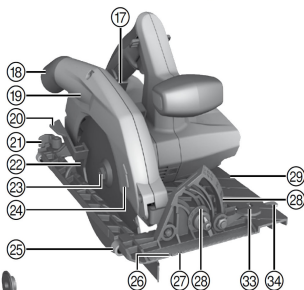
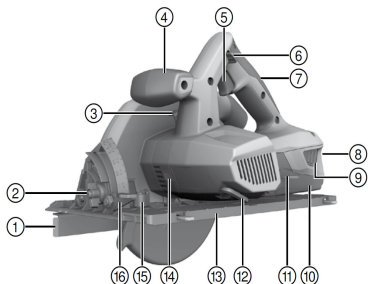
- ▶ 只有当园锯打开时，才可使锯片与工件接触。
  - ▶ 工件上部和下部的锯割路径上不得存在障碍物。不得锯割螺钉、钉子或类似物体。
- ▶ 切勿使用园锯进行高空作业。
- ▶ 切勿试图通过施加侧向压力停住锯片。
- ▶ 避免锯片齿尖过热。
- ▶ 务必使用适用于待锯割材料的锯片。
- ▶ 请仅使用 Hilti 推荐的符合 EN 847-1 标准的锯片。

## 2.5 小心处理和使用电池

- ▶ 遵守适用于锂离子电池的运输、存放和使用的专用指南。
- ▶ 不要将电池暴露在高温、直射阳光或明火环境下。
- ▶ 请勿拆开、挤压或烧毁电池，不要让它们暴露在超过 80°C (176°F) 的高温下。
- ▶ 如果电池受到过物理冲击、从高处跌落过或表现出损坏迹象，则不得使用电池或为其充电。在这种情况下，请务必联系您的 Hilti 维修中心。
- ▶ 如果电池发热烫手，则可能有故障。请将电池放在醒目且无火灾风险的地方，并与易燃物品保持足够距离。让电池自行冷却。如果一小时后电池仍然发热烫手，则表示存在故障。联系 Hilti 维修中心。



**3.1 产品概述 1**



- ① 单臂锯栅
- ② 切割角度预设值 (22.5°, 45°, 50°)
- ③ 主轴锁止按钮
- ④ 辅助把手
- ⑤ “打开/关闭”开关
- ⑥ 接通联锁装置解锁按钮
- ⑦ 把手
- ⑧ 充电状态和故障指示灯 (锂离子电池)
- ⑨ 释放按钮 (也用于启动充电状态指示灯)
- ⑩ 电池
- ⑪ 用于调整锯切深度的夹紧杆
- ⑫ 内六角扳手
- ⑬ 小底座
- ⑭ LED 照明
- ⑮ 用于锯栅的前夹紧杆
- ⑯ 用于调整切割角的夹紧杆
- ⑰ 锯切深度尺
- ⑱ 软管接头 (碎屑导流器)
- ⑲ 锯片防护罩 (上部防护罩)
- ⑳ 摆式防护罩操纵杆
- ㉑ 用于锯栅的后夹紧杆 (仅可与大底座搭配使用)
- ㉒ 摆式防护罩 (下部防护罩)
- ㉓ 主轴
- ㉔ 箭头指示的旋转方向
- ㉕ 双臂锯栅
- ㉖ 0° 切割线指示器
- ㉗ 45° 切割线指示器
- ㉘ 切割角刻度
- ㉙ 大底座
- ⑳ 夹紧螺钉
- ㉑ 夹紧用法兰
- ㉒ 安装用法兰
- ㉓ 底座上的 0° 指示器
- ㉔ 底座上的 1° - 50° 指示器

**3.2 导轨适配器 2**

- ⑳ 后固定凸耳
- ㉑ 前固定凸耳
- ㉒ 0° 指示器
- ㉓ 1° - 50° 指示器

**3.3 合规使用**

所述的产品是充电式圆锯。它设计用于切割木材或仿木材料、塑料、干式墙板、石膏纤维板和复合材料。手持式圆锯装备了适用于选装吸尘器 / 除尘器的可拆卸式软管接头，该接头可连接常见的吸尘器软管。必须使用合适的适配器以将真空吸尘器软管连接至圆锯。

- ▶ 禁止使用与给定规格 (例如直径、转速、厚度) 不相符的锯片，禁止使用由高合金钢 (HSS 钢) 制成的切削/磨削盘或片。不得将该电动工具用于锯割金属。
- ▶ 不得使用本产品切割树枝或树干。
- ▶ 使用本产品仅限使用 Hilti B 22 系列锂离子电池。
- ▶ 请仅用 Hilti C4/36 系列电池充电器为这些电池充电。



### 3.4 锂离子电池显示屏

锂离子电池的充电状态和电动工具的故障由锂离子电池显示屏指示。按下两个电池释放按钮中的一个后，显示锂离子电池的充电状态。

状态	含义
4 个 LED 亮起。	充电状态：75% 至 100%
3 个 LED 亮起。	充电状态：50% 至 75%
2 个 LED 亮起。	充电状态：25% 至 50%
1 个 LED 亮起。	充电状态：10% 至 25%
1 个 LED 闪烁，电动工具处于备用状态。	充电状态：< 10%
1 个 LED 闪烁，电动工具未处于备用状态。	电池过热或完全放电。
4 个 LED 闪烁，电动工具未处于备用状态。	电动工具过载或过热。



按下控制开关 5 秒，松开开关之后，将不会显示电池的充电状态。

如果电池显示屏 LED 闪烁，请按照“故障排除”章节中提供的说明进行操作。

### 3.5 防护装置

使用单臂锯栅可沿着平行于工件边缘的方向进行精确切割，或切割出宽度均匀的条状。锯栅可安装在底座的任意一侧。

### 3.6 提供的部件：

圆锯、锯片、内六角扳手、锯栅、真空吸尘器软管接头、操作说明（可选：导轨适配器）



经 Hilti 批准可与本产品搭配使用的备件、消耗品和配件可以在您当地的 **Hilti Store** 购买或访问 [www.hilti.group](http://www.hilti.group)。

### 3.7 配件

夹紧法兰、固定法兰、夹紧螺钉。

## 4 技术数据

### 4.1 圆锯

	SC 70W-A22
额定电压	21.6 V
重量 (按照 EPTA 程序 01)	4.8 kg
规定的锯片直径	190 mm
锯片厚度	0.7 mm ... 1.5 mm
锯口宽度	1.5 mm ... 2 mm
锯片心轴尺寸	30 mm
空载下的额定转速	3,500 rpm
0° 时的最大锯切深度	70 mm
45° 时的最大锯切深度	51 mm
50° 时的最大锯切深度	45 mm
斜切角度	0° ... 50°
工作温度	-10 °C ... 50 °C
存放温度范围 (不带电池)	-30 °C ... 70 °C

### 4.2 电池

电池工作电压	21.6 V
工作环境温度	-17 °C ... 60 °C



存放温度	-20 °C ... 40 °C
电池充电起始温度	-10 °C ... 45 °C

### 4.3 噪声信息和振动值符合 EN 62841 标准

这些说明中给出的声压和振动值按照标准化测试的要求测得，可用于比较一种电动工具与另一种电动工具。它们还可用于初步评价受振动影响的程度。提供的数据代表本电动工具的主要应用。但是，如果将电动工具用于不同的应用、使用不同的配件工具或维护不良，则数据可能不同。这可能会显著增加操作者在整个工作期间受振动影响的程度。对受振动影响程度的准确估计还应考虑当关闭电动工具或当它运行但实际未进行工作时的工作情况。这可能会显著减小操作者在整个工作期间受振动影响的程度。此外，应确定附加安全措施，以保护操作者免受噪音和/或振动影响，例如：正确维护电动工具和配件、保持双手温暖、制订合理的工作计划等。

根据 EN 62841 标准确定的噪声排放值

	<b>SC 70W-A22</b>
声功率级 ( $L_{WA}$ )	103 dB(A)
声音功率级的不确定性 ( $K_{WA}$ )	3 dB(A)
声压级 ( $L_{pA}$ )	92 dB(A)
声压级的不确定性 ( $K_{pA}$ )	3 dB(A)

总振动值 (三维矢量和)，按照 EN 62841 测定

	<b>SC 70W-A22</b>
在木材中锯切的振动排放值 ( $A_{h, w}$ )	0.93 m/s <sup>2</sup>
不确定性 (K)	1.5 m/s <sup>2</sup>

## 5 操作

### 5.1 工作现场的准备工作

#### 5.1.1 给电池充电

1. 为电池充电之前，请阅读充电器的操作说明。
2. 确保电池和充电器上的触点均清洁、干燥。
3. 使用认可的充电器为电池充电。 288

#### 5.1.2 插入电池



**-警告-**

人身伤害的危险 短路或电池掉落会带来人身伤害的危险！

- ▶ 装入电池之前，确保电池和产品上的触点上均无异物。
- ▶ 确保电池接合正确。

1. 在首次使用电池之前，要给电池完全充电。
2. 将电池推入产品，直至听到卡止声。
3. 检查并确认电池已可靠就位。

#### 5.1.3 拆卸电池

1. 按下电池释放按钮。
2. 将电池从工具中取出。

#### 5.1.4 取下锯片



**-警告-**

锯片、夹紧螺栓和夹紧法兰有烧伤和割伤风险 可能导致烧伤和割伤。


- ▶ 更换锯片时应佩戴防护手套。

1. 拆下电池。
2. 将内六角扳手插进锯片夹紧螺钉。
3. 按下主轴锁止按钮并保持住。
4. 用内六角扳手旋转锯片夹紧螺钉，直至主轴锁止按钮完全接合。





5. 按照箭头指示的旋转方向转动内六角扳手，释放夹紧螺钉。
6. 从外部夹紧用法兰上取下夹紧螺钉。
7. 通过回转至一侧打开摆式防护罩，然后取下锯片。


 如有需要，可取下安装用法兰进行清洁。

### 5.1.5 安装锯片

 -小心-

**损坏风险！** 锯片不合适或安装不当可能损坏圆锯。


- ▶ 只能使用适合本圆锯的锯片。遵守锯片上箭头指示的旋转方向。
- ▶ 请仅使用额定最高允许转速不低于本产品规定的最高转速的锯片。

 **检查并确保要安装的锯片符合技术要求且足够锋利。** 锋利的锯片对于精确切割是必需的。

1. 拆下电池。
2. 清洁安装用法兰和夹紧用法兰。
3. 将安装用法兰正确无误地安装到心轴上。
4. 打开摆式防护罩。
5. 安装新的锯片。
6. 正确安装外部夹紧用法兰。
7. 插入夹紧螺钉。
8. 将内六角扳手插进锯片夹紧螺钉。
9. 按下心轴锁止按钮。
10. 以与按箭头指示的旋转方向相反的方向转动内六角扳手来固定夹紧用法兰和夹紧螺钉。
  - ▶ 接合主轴锁止按钮。
11. 使用电动工具之前，检查并确保锯片已正确就位并可牢固固定。


### 5.1.6 调整锯切深度

1. 拆下电池。
2. 释放锯切深度调整夹紧杆。
3. 以剪式运动提起本产品，通过闭合夹紧杆设置所需的切割深度。

 切割深度应始终设置为比待切割材料的厚度厚约 5 至 10 mm。  
可从锯片防护罩后部的刻度和指示器上读取深度设置。


### 5.1.7 设置斜割角度


1. 拆下电池。
2. 释放切割角度调整夹紧杆。
3. 以枢轴为中心旋转产品，使其进入预定位置。

 切割角预设功能能够简化最大角度 (22.5°、45°、50°) 的设置。

4. 紧固切割角度调整夹紧杆。

### 5.1.8 沿着线切割

 在圆锯底座的前部有指示直线切割或斜角切割 (0° 和 45°) 的切割线指示器。这样即可以期望的斜割角度实现准确切割。切割线指示器的边缘与锯片的内侧相对应。切割线指示器位于底座前端锯片前部开口处。

 固定工件，以防其移动。  
放置工件，使锯片能在其下方自由转动。  
检查以确保电动工具上的“打开/关闭”开关处于“关闭”位置。  
将圆锯底板的前部放到工件上，但不要使锯片与工件接触。



1. 安装电池。
2. 按住安全锁，同时按下“打开/关闭”按钮以打开本产品。
3. 以适当的速度沿着工件上的切割线引导本产品。

### 5.1.9 安装/调整锯栅

1. 拆下电池。
2. 将夹紧螺钉拧入底座 (留出充足的空间以滑动锯栅)。
3. 在夹紧螺钉下方滑动锯栅导向装置。
4. 将锯栅设置为适合当前锯切作业的正确宽度。
5. 拧紧夹紧螺钉。



锯栅 (单臂/双臂) 可安装在底座的任意一侧。双臂锯栅仅可与大底座搭配使用。  
使用锯栅可沿着平行于工件边缘的方向进行精确切割，或切割出宽度均匀的条状。

### 5.1.10 安装导轨适配器



圆锯可配备导轨适配器 (作为配件提供)。  
当使用带小底座的圆锯时，请使用与导轨匹配的导轨适配器。

1. 拆下电池。
2. 若安装了锯栅，请将其拆除。
3. 将底座安装至导轨适配器的侧面固定通道。
4. 将底座完全插入导轨适配器中。
5. 通过将两个滑块按入到底锁止导轨适配器。

## 5.2 工作

### 5.2.1 打开

- ▶ 按住安全锁，同时按下“打开/关闭”按钮以打开本产品。

### 5.2.2 关闭

- ▶ 释放“打开/关闭”开关，停止机器。

### 5.2.3 0°角纵向切割

1. 将圆锯置于导轨拱肋上标记为“0°”的凹槽中。
2. 按住安全锁，同时按下“打开/关闭”按钮以打开本产品。
3. 以适当的速度沿着导轨引导本产品锯切工件。

### 5.2.4 以 50°角 (最大) 进行纵向切割

1. 设置角度。



-警告-

斜切时有碰撞危险！锯片与导轨之间发生碰撞。

- ▶ 将圆锯置于导轨上，使拱肋嵌入正确的凹槽中。否则锯片将与导轨发生碰撞。

2. 将圆锯置于导轨拱肋上标记为“1° - 50°”的凹槽中。
3. 按住安全锁，同时按下“打开/关闭”按钮以打开本产品。
4. 以适当的速度沿着导轨引导本产品锯切工件。

### 5.2.5 与工件表面成一定角度进行切割

1. 定位好导轨 (令零位标记位于工件的边缘)，然后旋转导轨直到角度刻度上显示的期望角度与零位标记相对。指示的切割角度为偏离直角切割直线的角度。
2. 用两个螺旋夹具固定导轨。
3. 将圆锯置于导轨拱肋上标记为“0°”的凹槽中。
4. 按住安全锁，同时按下“打开/关闭”按钮以打开本产品。
5. 以适当的速度沿着导轨引导本产品锯切工件。

### 5.2.6 使用不带除尘和排屑系统的圆锯

1. 检查并确保锯屑可无障碍地喷出。



- 如有需要，可使用产品随附的内六角扳手松开内六角螺钉，以便从锯片防护罩上拆下软管接头。

## 6 维护和保养

### -警告-

插入电池时存在人身伤害危险！

- ▶ 执行维护和保养任务之前，请务必先取出电池。

### 工具的保养

- 请小心地清除顽固污渍。
- 用干燥的软毛刷 (若有) 小心地清洁通风孔。
- 请仅使用微湿的抹布清洁外壳。不要使用含硅清洁剂，否则可能腐蚀塑料件。
- 用干燥干净的布清洁产品触点。

### 锂离子电池的保养

- 切勿使用通风孔堵塞的电池。用干燥的软毛刷小心地清洁通风孔。
- 避免不必要地将电池暴露在粉尘或污垢中。切勿将电池暴露在高湿度的环境中 (例如将其浸在水中或放在雨中)。
- 如果电池浸湿，请如处理损坏的电池那样对其进行处理。将其隔离在不可燃的容器中，然后联系 **Hilti** 维修中心。
- 确保电池远离油和油脂。切勿让不必要的粉尘或脏污积聚在电池上。用干燥的软毛刷或干燥柔软的布清洁电池。不要使用含硅清洁剂，否则可能腐蚀塑料件。  
请勿触摸电池触点或从触点上去除出厂涂的油脂。
- 请仅使用微湿的抹布清洁外壳。不要使用含硅清洁剂，否则可能腐蚀塑料件。

### 维护

### -警告-

电击危险！电气部件的不当维修会造成包括灼伤在内的严重人身伤害。

- ▶ 工具或设备的电气系统只能由受过培训的电气专业人员进行维修。
- 定期检查所有可见部件和控制器是否出现损坏迹象，确保其全部正常工作。
- 如果发现损坏迹象或如果有部件发生故障，不要操作本产品。立即将本产品交由 **Hilti** 维修中心修复。
- 清洁和维护之后，安装所有护板或保护装置，检查并确认其正常工作。



为确保安全和可靠的操作，仅使用 Hilti 原装备件、耗材和附件。经 **Hilti** 许可与产品搭配使用的备件、消耗品和配件可到您当地的 **Hilti Store** 购买或访问：[www.hilti.group](http://www.hilti.group)

### 6.1 清洁安全防护装置

1. 清洁安全防护装置的部件前，先取下锯片。
2. 使用干燥的刷子仔细清洁安全防护装置的部件。
3. 使用适当的工具清除安全防护装置部件内表面的积垢或锯屑。
4. 安装锯片。

### 6.2 锯屑/粉尘通道堵塞时应采取的步骤

1. 拆下电池。
2. 清洁锯屑/粉尘通道。



必要时拆下锯片。 290

3. 检查是否存在运动部件失调或卡滞、部件断裂和任何其它可能影响设备本产品工作的情况。

### 6.3 清洁和维护之后的检查



清洁或维护之后，检查并确认所有安全装置均已安装且正常工作。

- ▶ 移动防护罩操纵杆将防护罩完全打开，以检查摆式防护罩。
  - ▶ 释放防护罩操纵杆时，必须快速完全关闭摆式防护罩。



## 7 运输和存放

### 无绳工具和电池的运输



-小心-

#### 运输途中的意外启动！

▶ 运输产品前务必将电池取出！

- ▶ 取下电池。
- ▶ 切勿松散、未加保护地运输电池。在运输过程中，应保护电池免受过度冲击或振动影响，并将其与任何导电材料或其它电池分开（因为它们可能会接触到电池端子并导致短路）。请遵守当地的电池运输规定。
- ▶ 请勿以邮寄方式运送电池。有关如何运送完好电池的说明，请咨询您的发货商。
- ▶ 每次使用前以及长时间运输前后都要检查产品和电池是否损坏。

### 无绳工具和电池的存放



-警告-

#### 故障或泄漏的电池会导致意外损坏！

▶ 仅可在未插入电池的情况下存放产品！

- ▶ 请将产品和电池存放至凉爽干燥的地方。请遵守技术数据中规定的温度极限值。
- ▶ 请勿将电池存放在充电器中。充电过程结束后请始终将电池从充电器中取出。
- ▶ 切勿将电池存放在阳光下、热源上或玻璃后。
- ▶ 请将本产品与电池存放在儿童或非授权人员无法接近的位置。
- ▶ 每次使用前以及长时间存放前后都要检查产品和电池是否损坏。

## 8 故障排除

▶ 如果您碰到的问题未在此表中列出或您无法自己实施补救措施，请联系 Hilti 维修中心。

### 8.1 圆锯未处于正常工作状态

故障	可能原因	解决方案
LED 未亮起。	电池未完全插入。	▶ 安装电池。
	电池放电。	▶ 给电池充电。
	电池过热或过冷。	▶ 将电池调整到正确的环境温度。
1 个 LED 闪烁。	电池放电。	▶ 给电池充电。
	电池过热或过冷。	▶ 将电池调整到正确的环境温度。
4 个 LED 闪烁。	圆锯短时间过载。	▶ 释放打开/关闭开关，然后再次将其按下。
	过热保护切断功能已经启动。	▶ 使圆锯冷却下来，然后清洁出风口。

### 8.2 圆锯处于正常工作状态

故障	可能原因	解决方案
不能按下打开/关闭按钮，即按钮被锁止。	不是故障（安全功能）。	▶ 按下安全锁。
运行速度突然明显下降。	电池放电。	▶ 给电池充电。
	锯进给压力过高。	▶ 降低进给压力，重新打开电动工具。
锯屑没有被送入锯屑收集器中，因此落到底板上。	锯屑收集器已满。	▶ 排空锯屑收集器。
	锯屑排出器通道堵塞。	▶ 清洁排出器。 293
锯片停止。	锯进给压力过高。	▶ 降低进给压力，重新打开电动工具。
电池比平常更快耗尽。	电池状况不是最佳。	▶ 更换电池。
未听到电池接合的“双咔嚓声”。	电池上的固定凸耳脏污。	▶ 清洁固定凸耳，并将电池推进直至固定接合。如果问题持续出现，则请联系 Hilti 维修中心。



故障	可能原因	解决方案
圆锯或电池变得非常热。	电气故障。	▶ 立即关闭圆锯。取出电池并仔细观察。让电池冷却。与 Hilti 维修中心联系。
	本产品过载 (超出应用极限)。	▶ 选择适合其预期用途的工具。
锯剧烈振动	锯片未正确安装	▶ 正确安装锯片。 291


## 9 废弃处置



**警告**

废弃处理不当会有人身伤害的危险！漏出的气体或液体会带来健康危害。

- ▶ 不得通过邮寄方式发送任何电池。
- ▶ 用非导电材料 (比如绝缘带) 包住端子, 以防止短路。
- ▶ 在儿童接触不到的地方处置电池。
- ▶ 请将电池送交 **Hilti Store** 处置, 或咨询当地的废弃处理机构以获取处置说明。

 制造 Hilti 产品所用的大部分材料都可回收利用。在可以回收之前, 必须正确分离材料。Hilti 在很多国家都提供旧工具回收服务。请咨询 Hilti 客户服务部门或您的销售顾问。



- ▶ 不要将电动工具、电子设备和电池扔进家庭垃圾中！

## 10 RoHS (有害物质限制)

单击链接跳转到有害物质表：[qr.hilti.com/r2937785](http://qr.hilti.com/r2937785)。

文档末尾以二维码形式提供指向 RoHS 表的链接。

## 11 制造商保修

- ▶ 如对保修条件有任何疑问, 请联系您当地的 Hilti 代表。





# EC Declaration of Conformity | UK Declaration of Conformity



**Manufacturer:**  
**Hilti Corporation**  
Feldkircherstraße 100  
9494 Schaan | Liechtenstein

**Importer:**  
**Hilti (Gt. Britain) Limited**  
1 Trafford Wharf Road, Old Trafford  
Manchester, M17 1BY

## SC 70W-A22 (01)

Serial Numbers: 1-99999999999

2006/42/EC | Supply of Machinery (Safety)  
Regulations 2008

EN 62841-1:2015

EN 62841-2-5:2014

2014/30/EU | Electromagnetic Compatibility  
Regulations 2016

EN 55014-1:2017 +  
A11:2020

EN 55014-2:2015

2011/65/EU | The Restriction of the Use of  
Certain Hazardous Substances in Electrical and  
Electronic Equipment Regulations 2012

**Dr. Tahar Zrilli**  
Head of Quality and Process Management  
Business Area Electric Tools & Accessories

Schaan, 27.07.2021

**Tassilo Deinzer**  
Executive Vice President  
Business Unit Power Tools & Accessories



SC 70W-A22



Hilti Corporation  
LI-9494 Schaan  
Tel.:+423 234 21 11  
Fax:+423 234 29 65  
[www.hilti.group](http://www.hilti.group)



2092403