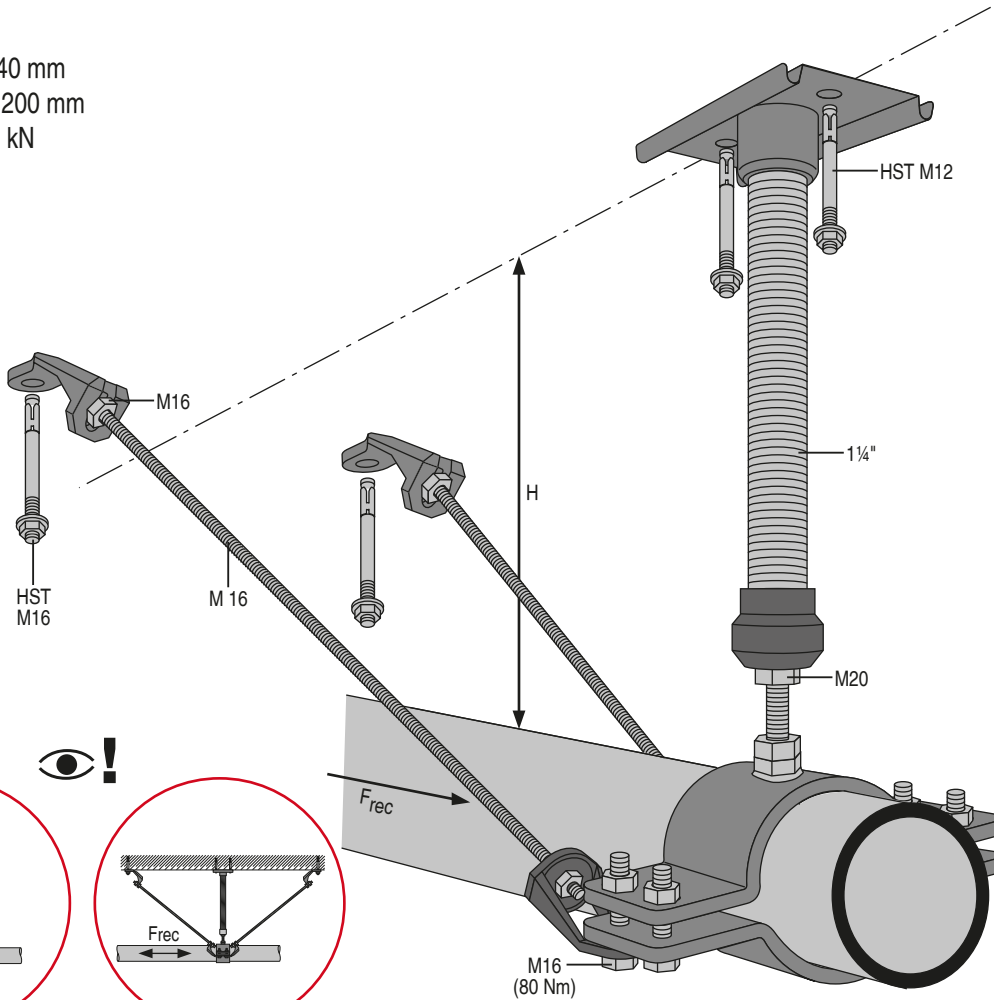


### MFPI 2

$H_{min} = 140 \text{ mm}$   
 $H_{max} = 1200 \text{ mm}$   
 $F_{rec} = 10 \text{ kN}$



MFPI 2		
MFP-NW ...		
MFP-BP 20	# 254460	
MFP-API 2	# 254462	
1 1/4"	# 248532	
2x AM 16	# 216424	
2x HST M12/20	# 371587	
2x HST M16/25	# 371593	
SW 19, SW 24, SW 30		

