

Operating instructions

en

Mode d'emploi

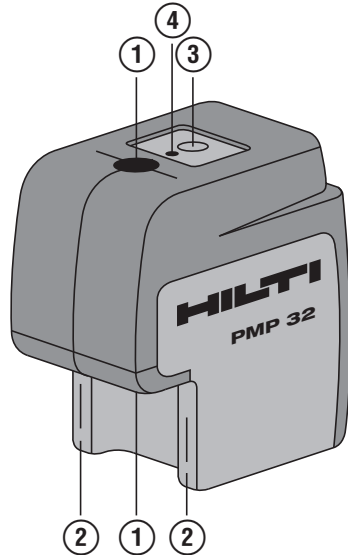
fr

Manual de instrucciones

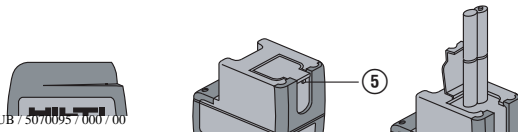
es

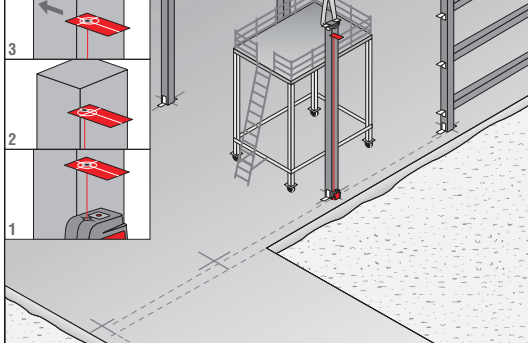
取扱説明書

ja

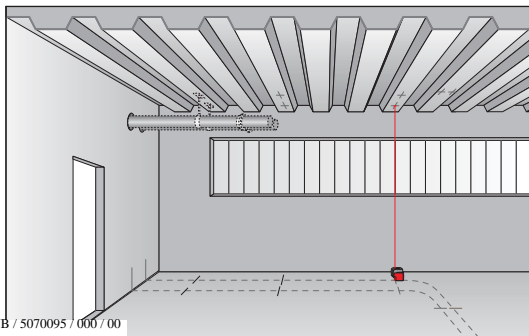


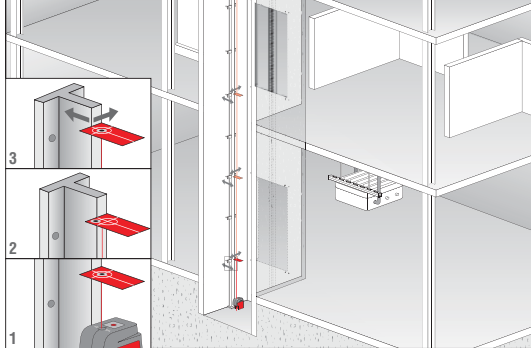
2



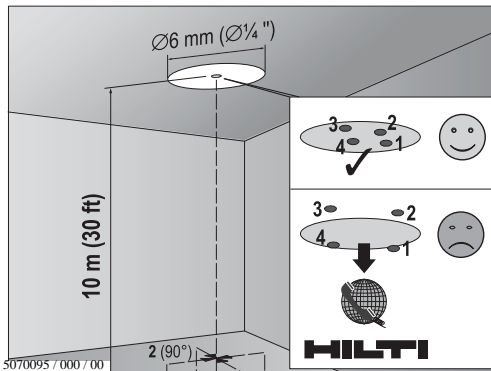


4





6



***It is essential that the operating instructions are read before the tool is operated for the first time.***

---

***Always keep these operating instructions together with the tool.***

---

***Ensure that the operating instructions are with the tool when it is given to other persons.***

---

### **Component parts 1**

- ① Laser exit windows
- ② Magnets
- ③ Selector button
- ④ LED indicator

<b>Contents</b>	<b>Page</b>
1. General information	2
2. Description	3
3. Accessories	3
4. Technical data	4
5. Safety precautions	5
6. Before use	8
7. Operation & applications	8
8. Checks	10
9. Care and maintenance	11
10. Troubleshooting	12

**-CAUTION-**

Used to draw attention to a potentially dangerous situation which could lead to minor personal injury or damage to the equipment or other property.

**-NOTE-**

Used to draw attention to an instruction or other useful information.

## 1.2 Pictograms

### Warning signs



General warning



Laser warning:  
Laser radiation  
Do not look into the beam  
Laser class 2

### Symbols



Read the  
operating  
instructions  
before use.



Return waste  
material for  
recycling

**1** These numbers refer to the corresponding illustrations. The illustrations can be found on the fold-out cover pages. Keep these pages open while studying the operating instructions. In these operating instructions, the PMP 32 plumb laser is referred to as « the tool ».

### Location of identification data on the tool

The type designation and serial number can be found on the type plate on the tool. Make a note of this information in your operating instructions and always refer to it when making an enquiry to your Hilti representative or Hilti repair center.

The MP 32 is a self-leveling plumb laser which can be used by one person working alone to plumb, very quickly and with great accuracy. The tool incorporates 2 vertical laser beams.

Features:

- Upward beam accuracy ( $\pm 3$  mm at 10 m on a leveled surface).
- Self leveling in all planes within  $\pm 4^\circ$ .
- Short self-leveling time:  $\sim 3$  seconds.
- “Out of level” warning signal when the self-leveling range is exceeded (the laser beams blink).
- Rugged, impact-resistant plastic casing.
- Compact and light – easy to use and carry with you.
- Automatic cut-out: The tool switches itself off automatically after 15 minutes. Continuous operating mode may be selected if desired.
- Easy to operate.

## 2.1 Items supplied with the point laser (cardboard box version)

- 1 PMP 32 plumb laser
- 1 soft pouch
- 4 batteries
- 1 operating instructions
- 2 target plates

## 3. Accessories

### Accessories:

Target plate (CM/IN)	PMA 52
Soft pouch	PMA 61
Laser visibility glasses*	PUA 60

\* These are not protective glasses and thus do not protect the eyes from the laser visibility glasses, restrict ocular vision, thus

Range up beam down beam	30 m 1 m (recommended)
Accuracy at 25 °C ● Plumb beam up ● Plumb beam down (reference)	± 3 mm at 10 m (1/8 in at 30 ft) ± 2 mm at 1 m (1/12 in at 3 ft)
Self-leveling time	~ 3 seconds
Laser class	Class 2, visible, 635 ± 10 nm @ 25 °C (IEC825-1; EN 60825- 01:2003; CFR 21 § 1040 (FDA))
Beam diameter	≤ 6.5 mm @ 10 m @ 25 °C / ≤ 13 mm @ 20 m @ 25 °C
Self-leveling range	± 4°
Automatic switch-off	Activated after 15 min.
Operating status indicators	LED + laser beams
Power supply	4 x alkaline batteries, size AA
Battery life at 25 °C [+77 °F]	Alkaline batteries: > 40 h
Operating temperature range	-10 °C up to +40 °C (± 2) °C / +14 °F up to 104 (± 4) °F
Storage temperature	-20 °C up to +63 °C / -4 °F up to 145 °F
Protection against dust and water spray	IP 54 (in accordance with IEC 529) except battery compartment
Weight	550 g without batteries
Dimensions:	ca. 119 (L) x 57 (W) x 114 (H) mm

\*Range depends on the ambient light conditions.  
Righth of technical changes reserved.



### 5.1 Basic information concerning safety

In addition to the information relevant to safety given in each of the sections of these operating instructions, the following points must be strictly observed at all times.

### 5.2 Correct use of the tool

When used for outdoor applications, care must be taken to ensure that the conditions under which the tool is used correspond to the conditions encountered indoors.

Examples of applications:

- Transferring points marked on the floor to the ceiling for drywall tracks.
- Transferring points marked on the floor to the ceiling for pipe hangers.

### 5.3 Misuse of the tool



- Do not use the tool unless its accuracy has been previously checked.
- The tool and its ancillary equipment may present hazards when used incorrectly by untrained personnel or when used not as directed.
- Do not open the casing of the tool.
- To avoid the risk of injury, use only original Hilti accessories and additional equipment.
- Modification of the tool is not permissible.
- Observe the information printed in the operating instructions concerning operation, care and maintenance.
- Do not render safety devices ineffective and do not remove information and warning notices.
- Keep laser tools out of reach of children.
- Have the tool repaired only at a Hilti service center. Failure to follow the correct procedures when opening the tool may cause emission of laser radiation in excess of class 2.



- Secure the area in which you are working and take care to avoid directing the beam toward other persons or toward yourself while setting up the tool.
- Avoid unfavorable body positions when working on ladders or scaffolding. Make sure you work from a safe stance and stay in balance at all times.
- Measurements taken through panes of glass or other objects may be inaccurate.
- Ensure that the tool is set up on a solid, level surface.
- Ensure that the tool is set up on a steady surface not exposed to vibration.
- Use the tool only within the specified limits of the application for which it is intended (see Section 5.2).

#### 5.4.1 Electromagnetic compatibility

Although the tool complies with the strict requirements of the relevant directives, Hilti cannot entirely rule out the following possibilities:

- The tool may cause interference to other equipment (e.g. aircraft navigation equipment, medical instruments or devices).
- The tool may be subject to interference caused by powerful radiation, which may lead to incorrect operation. Check the accuracy of the tool by taking measurements by other means when working under such conditions or if you are unsure.

#### 5.4.2 Laser classification

The tool conforms to laser class 2 based on the IEC825-1 / EN60825-01 2003 standard and class II based on CFR 21 § 1040 (FDA). The eyelid closure reflex protects the eyes when a person looks into the beam unintentionally for a brief moment. Nevertheless, the eyelid closure reflex may be negatively affected by medicines, alcohol or drugs. This tool may be used



## Laser warning plate for the USA based on CFR 21 § 1040 (FDA):



This laser product complies with CFR 21 § 1040 (FDA) as applicable.

### 5.5 General safety precautions

- Check the tool for possible damage or dirt before use. If the tool is found to be damaged, have it repaired at a Hilti service center.
- The accuracy of the tool must be checked after it has been dropped or subjected to other mechanical stresses.
- When the tool is brought into a warm environment from very cold conditions, or vice-versa, allow it to become acclimatized before use.
- If mounting on an adaptor, ensure that the tool is attached securely.
- Keep the laser exit aperture clean to avoid measurement errors.
- Although the tool is designed for the tough conditions of jobsite use, as with other optical instruments (binoculars, spectacles, cameras) it should be treated with care.
- Although the tool is protected to prevent entry of dampness, it should be wiped dry each time before being put away in its Hilti toolbox.

#### 5.5.1 Electrical hazards

- The batteries must be insulated or removed from the tool before it is shipped.
- The tool and the batteries must be disposed of in accordance with national regulations in order to avoid environmental pollution. Consult the manufacturer if you are unsure.



## 6.1 Inserting new batteries **2**

### **-NOTE-**

Do not use damaged batteries.

Do not mix old and new batteries. Do not mix batteries of different makes or types.

1. If the tool is on, turn it off.
2. Pull the battery compartment release button ⑤.
3. Replace the batteries.

### **-CAUTION-**

Take care to observe correct polarity.

4. Close the battery compartment. Check that it engages securely.

## 7. Operation & applications



### 7.1 Operation

#### **-NOTE-**

The pendulum is able to swing freely when the tool is set up in a horizontal position ( $\leq \pm 4^\circ$ ).

The laser beams blink rapidly when the tool is unable to level itself automatically.

The best accuracy results are obtained on a leveled surface.

**-NOTE-**

The tool switches itself off automatically after approx. 15 minutes.

### 7.1.3 Deactivating the automatic cut-out

1. Press and hold the selector button (approx. 4 seconds) until the LED on the tool blinks three times in confirmation.

**-NOTE-**

The tool will be switched off when the selector button is pressed or when the batteries are exhausted.

## 7.2 Examples of applications

### 7.2.1 Vertical alignment (plumbing) of sections of a steel structure

**3**

### 7.2.2 Aligning pipe fastenings **4**

### 7.2.3 Vertical alignment (plumbing) of an elevator rail **5**

## 7.3 Operating status indicators

### 7.3.1 LED

The LED doesn't light.	<ul style="list-style-type: none"> <li>● The tool is switched off.</li> <li>● The batteries are exhausted.</li> <li>● The batteries are inserted incorrectly.</li> </ul>
The LED lights constantly.	<ul style="list-style-type: none"> <li>● The laser beam is switched on. The tool is in operation.</li> </ul>
The LED blinks.	<ul style="list-style-type: none"> <li>● The batteries are almost exhausted.</li> <li>● The temperature of the tool is above 40 °C (104 °F) or below – 10 °C (14 °F) (no laser beam pro-</li> </ul>

The laser beam blinks twice every 10 seconds.

The laser beam blinks rapidly.

● The batteries are almost exhausted.

● The tool cannot level itself automatically.

## 8. Checks

### 8.1 Checking the vertical (plumb) beam **6**

1. Make a mark on the floor (a cross) in a high room (e.g. in a stairwell or hallway with a height of 5–10 m).
2. Place the tool on a level surface (floor).
3. Switch on the vertical beam.
4. Position the tool with the down beam on the center of the cross.
5. Mark the position of the vertical beam on the ceiling (attach a piece of paper to the ceiling).
6. Pivot the tool through 90°. The reference beam must remain on the center of the cross.
7. Mark the position of the vertical beam on the ceiling.
8. Repeat the procedure after pivoting the tool through 180° and 270°.

#### **-NOTE-**

The resulting 4 marks define a circle in which the intersection of the diagonals d1 (1 – 3) and d2 (2 – 4) marks the exact center of the plumb point.

#### **Calculation of accuracy**

$$\text{Result} = \frac{10}{\text{Room height [m]}} \times \frac{(d1 + d2) \text{ [mm]}}{4} \quad (1) \text{ or}$$

$$\text{Result} = \frac{30}{\text{Room height [ft]}} \times \frac{(d1 + d2) \text{ [inch]}}{4} \quad (2)$$

## 8.2 Calculation of accuracy (g) at a working distance other than 5 m

en

$g = (3 \text{ mm} \times \text{working distance (m)})/5 \text{ m}$ .

In this case, the horizontal distance between d1 and d2 must not exceed the value (g) at the defined working distance (m).

## 9. Care and maintenance

### 9.1 Cleaning and drying

- Blow dust off the glass.
- Do not touch the glass with your fingers.
- Use only a clean, soft cloth for cleaning. If necessary, moisten the cloth slightly with pure alcohol or a little water.

#### **-NOTE-**

- Do not use any other liquids as these may damage the plastic components.
- Observe the temperature limits when storing your equipment. This is particularly important in summer if the equipment is kept inside a motor vehicle (-20 °C to + 63 °C/-4 °F to 145 °F).

### 9.2 Storage

Remove the tool from its case if it has become wet. The tool, its carrying case and accessories should be cleaned and dried (at maximum 40 °C/104 °F). Repack the equipment only once it is completely dry.

Check the accuracy of the equipment before it is used after a long period of storage or transportation. Remove the batteries if the tool is not used over a long period. Leaking batteries may damage the tool.

### 9.3 Transportation

<b>Fault</b>	<b>Possible causes</b>	<b>Remedy</b>
The tool can't be switched on.	Batteries are exhausted.	Replace the batteries.
	Batteries are inserted the wrong way round (incorrect polarity).	Insert the batteries correctly.
	Battery compartment is not closed.	Close the battery compartment.
	Tool or selector button is defective.	Bring the tool to a Hilti repair center.
Individual laser beams don't function.	The laser source or laser control is defective.	Bring the tool to a Hilti repair center.
The tool can be switched on but no laser beam is visible.	The laser source or laser control is defective.	Bring the tool to a Hilti repair center.
	Temperature too high or too low.	Allow the tool to cool down or, respectively, warm up.
Automatic leveling doesn't function.	The surface on which the tool is set up is excessively inclined.	Set up the tool in a level position.
	Extraneous light is too bright.	Reduce extraneous light.
	The tilt sensor is defective.	Bring the tool to a Hilti repair center.



**-CAUTION-**

Improper disposal of the equipment may have serious consequences:

- The burning of plastic components generates toxic fumes which may present a health hazard.
- Batteries may explode if damaged or exposed to very high temperatures, causing poisoning, burns, acid burns or environmental pollution.
- Careless disposal may permit unauthorized and improper use of the equipment. This may result in serious personal injury, injury to third parties and pollution of the environment.



Most of the materials from which Hilti tools or appliances are manufactured can be recycled. The materials must be correctly separated before they can be recycled. In many countries, Hilti has already made arrangements for taking back old tools and appliances for recycling. Ask Hilti customer service or your Hilti representative for further information.



Disposal of batteries together with household waste is not permissible.



For EC countries only

Disposal of electric tools together with household waste is not permissible!

In observance of European Directive 2002/96/EC on waste electrical and electronic equipment and its implementation in accordance with national law, electric tools that have reached the end of their life must be collected separately and returned environmentally compatible recycling facility.

Hilti warrants that the tool supplied is free of defects in material and workmanship. This warranty is valid so long as the tool is operated and handled correctly, cleaned and serviced properly and in accordance with the Hilti Operating Instructions, and the technical system is maintained. This means that only original Hilti consumables, components and spare parts may be used in the tool.

This warranty provides the free-of-charge repair or replacement of defective parts only over the entire lifespan of the tool. Parts requiring repair or replacement as a result of normal wear and tear are not covered by this warranty.

**Additional claims are excluded, unless stringent national rules prohibit such exclusion. In particular, Hilti is not obligated for direct, indirect, incidental or consequential damages, losses or expenses in connection with, or by reason of, the use of, or inability to use the tool for any purpose. Implied warranties of merchantability or fitness for a particular purpose are specifically excluded.**

For repair or replacement, send tool or related parts immediately upon discovery of the defect to the address of the local Hilti marketing organization provided.

This constitutes Hilti's entire obligation with regard to warranty and supersedes all prior or contemporaneous comments and oral or written agreements concerning warranties.

**-CAUTION-**

This equipment has been tested and found to comply with the limits for a Class B digital device, pursuant to part 15 of the FCC rules. These limits are designed to provide reasonable protection against harmful interference in a residential installation. This equipment generates, uses and may radiate radio frequency energy. Accordingly, if not installed and used in accordance with the instructions, it may cause harmful interference to radio communications.

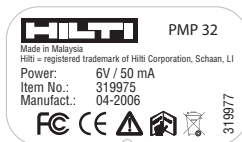
However, there is no guarantee that interference will not occur in a particular installation.

If this equipment does cause harmful interference to radio or television reception, which can be determined by turning the equipment off and on, the user is encouraged to try to correct the interference by taking the following measures:

- Reorient or relocate the receiving antenna.
- Increase the separation between the equipment and receiver.
- Connect the equipment to an outlet on a circuit different from that to which the receiver is connected.
- Consult your dealer or an experienced TV/radio technician for assistance.

Changes or modifications not expressly approved by Hilti could limit the user's right to operate the equipment.

## Labels





***Avant de mettre l'appareil en marche, lire impérativement son mode d'emploi et bien respecter les consignes.***

***Le présent mode d'emploi doit toujours accompagner l'appareil.***

***Ne pas prêter ou céder l'appareil à un autre utilisateur sans lui fournir le mode d'emploi.***

### **Principaux éléments 1**

- ① Fenêtres de sortie du faisceau laser
- ② Aimants
- ③ Touche marche/arrêt
- ④ Témoin lumineux de mise en marche

<b>Table des matières</b>	<b>Page</b>
1. Consignes générales	18
2. Description	19
3. Outils et accessoires	19
4. Caractéristiques techniques	20
5. Consignes de sécurité	21
6. Mise en service	24
7. Utilisation et applications	24
8. Contrôle	26
9. Nettoyage et entretien	27
10. Guide de dépannage	28

**-ATTENTION-**

Pour attirer l'attention sur une situation pouvant présenter des dangers susceptibles d'entraîner des blessures corporelles légères ou des dégâts matériels.

**-REMARQUE-**

Pour des conseils d'utilisation et autres informations utiles.

**1.2 Pictogrammes****Symboles d'avertissement**

Avertissement  
danger général !



Plaque d'avertissement laser :  
Rayonnement laser  
Ne pas regarder directement dans  
le faisceau  
Laser de classe 2

**Symboles**

Lire le mode  
d'emploi avant  
d'utiliser  
l'appareil



Recycler les  
déchets

**1** Les nombres renvoient aux illustrations se trouvant sur les pages rabattables. Pour lire le mode d'emploi, rabattre ces pages de manière à voir les illustrations.

Dans le texte du présent mode d'emploi, « l'appareil » désigne toujours le laser d'aplomb PMP 32.

**Identification de l'appareil**

La désignation et le numéro de série du modèle se trouvent sur la plaque signalétique de l'appareil. Inscrive ces renseignements dans le mode d'emploi et toujours s'y référer pour communiquer avec notre représentant ou un atelier de réparation Hilti.

Le PMP 32 est un appareil laser à mise à niveau automatique qui permet à un seul homme de déterminer des aplombs de manière très rapide et précise. L'appareil émet deux faisceaux laser visibles, un vers le haut et un vers le bas.

Caractéristiques :

- Précision du faisceau vers le haut ( $\pm 3$  mm à 10 m sur une surface horizontale).
- Mise à niveau automatique dans toutes les directions, dans un rayon de  $\pm 4^\circ$ .
- Temps de mise à niveau automatique court :  $\sim 3$  secondes.
- Signal d'avertissement "En dehors de la zone de mise à niveau" lorsque la zone de mise à niveau automatique est dépassée (les faisceaux laser clignotent).
- Boîtier en plastique robuste, antichoc.
- Petit et léger – utilisation et transport aisés.
- Arrêt automatique : L'appareil s'arrête automatiquement après 15 minutes. Il est possible de sélectionner un mode de fonctionnement continu.
- Facile à manipuler.

### 1.1 Articles livrés avec le laser point (version boîte en carton)

- 1 PMP 32 laser d'aplomb
- 1 housse de transport
- 4 piles
- 1 mode d'emploi
- 2 cibles

## 3. Outils et accessoires

### Accessoires :

Cible (CM/IN)	PMA 52
Housse de transport	PMA 61
Lunettes de visibilité laser*	PUA 60

\* Ces lunettes n'étant pas des lunettes de protection, elles ne protègent pas les yeux du laser. Elles sont conçues pour protéger les yeux du laser.

Faisceau haut	1 m (recommandée)
Précision à 25 °C	
● Faisceau haut	± 3 mm à 10 m (1/8 in à 30 ft)
● Faisceau bas (référence)	± 2 mm à 1 m (1/12 in à 3 ft)
Temps de mise à niveau automatique	~ 3 secondes
Classe laser	Class 2, visible, 635 ± 10 nm @ 25 °C (IEC825-1; EN 60825-01:2003; CFR 21 § 1040 (FDA))
Diamètre du faisceau	≤ 6,5 mm @ 10 m @ 25 °C / ≤ 13 mm @ 20 m @ 25 °C
Plage de mise à niveau automatique	± 4°
Dispositif d'arrêt automatique (activé)	Au bout de 15 min
Témoins lumineux de fonctionnement	DEL + Faisceaux laser
Alimentation électrique	4 x piles alcalines au manganèse de type AA
Autonomie de fonctionnement à 25 °C [+77 °F]	Alkaline batteries: > 40 h
Température de service	de -10 °C à +40 °C (±2) °C / de +14 °F à 104 (±4) °F
Température de stockage	de -20 °C à +63 °C / de -4 °F à 145 °F
Protection antipoussière et contre les projections d'eau	IP 54 (conformément à IEC 529) hormis le compartiment des piles
Poids	550 g sans piles
Dimensions:	env.119 (L) x 57 (l) x 114 (H) mm

\*La portée dépend de la luminosité de l'environnement.  
 Sous réserve de modifications techniques !



## 5.1 Consignes de sécurité générales

En plus des consignes de sécurité figurant dans les différentes sections du présent mode d'emploi, il importe de toujours bien respecter les directives suivantes.

fr

## 5.2 Utilisation conforme à l'usage prévu

L'appareil est conçu pour une utilisation à l'intérieur, en vue de marquer des points d'aplomb. Pour les utilisations à l'extérieur, veiller à ce que les conditions d'utilisation correspondent à celles spécifiées pour l'intérieur.

Par exemple :

- Transfert de points du sol au plafond pour l'installation de rails.
- Transfert de points du sol au plafond pour l'installation de suspentes pour tuyaux.

## 5.3 Utilisation non conforme à l'usage prévu

- Utilisation de l'appareil sans avoir contrôlé au préalable sa précision.
- L'appareil et ses accessoires peuvent être dangereux s'ils sont utilisés incorrectement par un personnel non formé ou de manière non conforme à l'usage prévu.
- Ne pas ouvrir l'appareil.
- Pour éviter tout risque de blessure, utiliser uniquement les accessoires et adaptateurs Hilti d'origine.
- Il est interdit de manipuler ou modifier l'appareil.
- Bien respecter les consignes concernant l'utilisation, le nettoyage et l'entretien de l'appareil qui figurent dans ce mode d'emploi.
- Ne pas neutraliser les dispositifs de sécurité ni enlever les plaquettes indicatrices et les plaquettes d'avertissement.
- Tenir l'appareil laser hors de portée des enfants.
- Ne faire réparer l'appareil que par le S.A.V. Hilti. En cas de montage incor-

- Protéger la zone de travail et, lors de l'installation de l'appareil, veiller à ce que le faisceau ne soit pas dirigé vers d'autres personnes ou vers soi-même.
- Lors de travaux d'alignement sur une échelle, éviter toute mauvaise posture. Veiller à toujours rester stable et à garder l'équilibre.
- Toute mesure effectuée à travers des vitres ou tout autre objet peut fausser le résultat de mesure.
- Veiller à ce que l'appareil soit posé sur un support plan et stable.
- Veiller à ce que l'appareil soit posé sur un support exempt de vibrations et de secousses.
- Utiliser uniquement l'appareil conformément à l'usage prévu (voir 5.2).

#### 5.4.1 Compatibilité électromagnétique

Bien que l'appareil satisfasse aux exigences des directives applicables, Hilti n'exclut pas la possibilité

- que l'appareil perturbe le fonctionnement d'autres appareils (par ex. des dispositifs de navigation d'avion, des appareils médicaux) ou
- que le fonctionnement de l'appareil soit perturbé par les interférences induites par un rayonnement intense. Dans ce cas ou en cas d'autres incertitudes, il est conseillé d'effectuer des mesures de contrôle pour vérifier la précision de l'appareil.

#### 5.4.2 Classification du laser

L'appareil est un appareil laser de classe 2 satisfaisant aux exigences des normes IEC825-1/EN60825-01:2003 et de classe II satisfaisant aux exigences de la norme CFR 21 § 1040 (FDA). L'œil est normalement protégé par le réflexe de fermeture des paupières lorsque l'utilisateur regarde brièvement, par inadvertance, dans le faisceau laser. Ce réflexe peut toutefois être altéré par la prise de médicaments, d'alcool ou de drogues. Cet appareil peut être utilisé sans autre mesure de protection. Toutefois, il est

ur le soleil, d'éviter de regarder directement la source



## Plaquette d'avertissement de laser pour les Etats-Unis satisfaisant à la norme CFR 21 § 1040 (FDA) :



This Laser Product complies with CFR 21 § 1040 (FDA) as applicable. (Cet appareil laser est compatible avec la norme 21 CFR 1040 si applicable.)

### 5.5 Consignes de sécurité générales

- Avant utilisation, vérifier que l'appareil est ni encrassé, ni endommagé. Si tel est le cas, le faire réparer par le S.A.V. Hilti.
- Après une chute ou tout autre incident mécanique, il est nécessaire de vérifier la précision de l'appareil.
- Lorsque l'appareil passe d'un environnement froid à un environnement plus chaud ou inversement, il doit être acclimaté avant utilisation.
- Si des adaptateurs sont utilisés, s'assurer que l'appareil est solidement monté.
- Pour éviter toute erreur de mesure, toujours bien nettoyer les fenêtres d'émission du faisceau laser.
- Bien que l'appareil soit conçu pour être utilisé dans les conditions de chantier les plus dures, il faut en prendre constamment soin comme de tout autre instrument optique (par ex. jumelles, lunettes, appareil photo).
- Bien que l'appareil soit protégé contre l'humidité, il est recommandé de l'essuyer avant de le remettre dans le coffret Hilti.

#### 5.5.1 Dangers électriques

- Pour expédier l'appareil, toujours isoler les piles ou les retirer de l'ap-

## 6.1 Mise en place de piles neuves 2

### -REMARQUE-

Ne pas utiliser de piles endommagées.

Ne pas utiliser de piles neuves avec des piles usagées. Ne pas utiliser de piles de différentes marques ou de types différents.

1. Si l'appareil est en marche, prendre soin de l'éteindre.
2. Ouvrir le compartiment des piles en tirant sur la languette ⑤.
3. Remplacer les piles.

**-ATTENTION-** Veiller à respecter la polarité.

4. Fermer le compartiment des piles. Vérifier que le dispositif de verrouillage se referme correctement.

## 7. Utilisation et applications

### 7.1 Utilisation

#### -REMARQUE-

Le pendule peut osciller librement lorsque l'appareil est posé sur une surface horizontale ( $\leq \pm 4^\circ$ ).

Si l'appareil ne peut pas se remettre à zéro automatiquement, les faisceaux laser clignotent à une fréquence élevée.

La meilleure précision possible est atteinte sur une surface horizontale parfaite.

## -REMARQUE-

Au bout de 15 minutes environ, l'appareil s'arrête automatiquement.

fr

### 7.1.3 Désactivation du dispositif d'arrêt automatique

1. Tenir la touche marche/arrêt appuyée (environ 4 sec.) jusqu'à ce que le témoin lumineux vert clignote pour confirmation.

## -REMARQUE-

L'appareil s'arrête lorsque le commutateur de sélection est enfoncé ou lorsque les piles sont vides.

## 7.2 Exemples d'utilisation

### 7.2.1 Vérifier l'aplomb d'éléments de structure métallique **3**

### 7.2.2 Alignement de fixations de tuyau **4**

### 7.2.3 Alignement vertical (mise d'aplomb) d'un rail d'ascenseur **5**

## 7.3 Messages de fonctionnement

### 7.3.1 Diode électroluminescente (DEL)

La diode électroluminescente n'est pas allumée.	<ul style="list-style-type: none"><li>● L'appareil est arrêté.</li><li>● Les piles sont vides.</li><li>● La polarité des piles n'a pas été respectée.</li></ul>
La diode électroluminescente est allumée en continu.	<ul style="list-style-type: none"><li>● Le faisceau laser est en marche. L'appareil fonctionne.</li></ul>
La diode électroluminescente clignote.	<ul style="list-style-type: none"><li>● Les piles sont presque vides.</li><li>● La température au niveau de l'appareil est supérieure à 40 °C (104 °F) ou inférieure à -10 °C (14 °F) (Le faisceau laser ne s'al-</li></ul>

Le faisceau laser clignote deux fois

toutes les 10 secondes.  
Le faisceau laser clignote à une fréquence élevée.

• Les pins sont presque vides.

● L'appareil ne peut pas effectuer la mise à niveau automatique.

## 8. Contrôle

### 8.1 Contrôle du faisceau d'aplomb haut 6

1. Dans une pièce haute, placer un repère sur le sol (une croix) (par ex. dans une cage d'escalier d'une hauteur de 5 à 10 m).
2. Poser l'appareil sur une surface plane et horizontale.
3. Mettre en marche les faisceaux d'aplomb.
4. Placer l'appareil de telle sorte que le faisceau bas soit au centre de la croix.
5. Marquer le point du faisceau d'aplomb haut au plafond (fixer une feuille de papier au plafond).
6. Tourner l'appareil de 90°. Le faisceau de référence doit rester au centre de la croix.
7. Marquer à nouveau le point du faisceau d'aplomb haut au plafond.
8. Répéter la procédure pour des angles de 180° et 270°.

#### -REMARQUE-

Les quatre points résultants définissent un cercle dans lequel les points d'intersection des diagonales d1 (1-3) et d2 (2-4) marquent la position exacte du point d'aplomb.

#### Calcul de la précision :

$$\text{Résultat} = \frac{10}{\text{Hauteur de la pièce [m]}} \times \frac{(d1 + d2) \text{ [mm]}}{4} \quad (1) \text{ ou}$$

$$\text{Résultat} = \frac{30}{\text{Hauteur de la pièce [pieds]}} \times \frac{(d1 + d2) \text{ [pouces]}}{4} \quad (2)$$

## 8.2 Calcul de la précision de visée (g) à une distance de mesure autre que 5 m :

fr

$g = (3 \text{ mm} \times \text{distance de mesure (m)}) / 5 \text{ m}$ .

Dans ce cas, la distance horizontale entre d1 et d2 doit être au maximum la valeur (g) pour une distance de mesure définie (m).

## 9. Nettoyage et entretien

### 9.1 Nettoyage et séchage

- Si de la poussière s'est déposée sur les lentilles, la souffler pour l'éliminer.
- Ne pas toucher le verre avec les doigts.
- Nettoyer uniquement avec un chiffon propre et doux ; humidifier avec un peu d'eau ou d'alcool pur, si besoin est.

#### **-REMARQUE-**

- N'utiliser aucun autre liquide, car il pourrait attaquer les pièces en plastique.
- Respecter les plages de températures en cas de stockage du matériel, notamment en hiver ou en été, à l'intérieur d'un véhicule. (de  $-20 \text{ }^{\circ}\text{C}$  à  $+63 \text{ }^{\circ}\text{C}$  / de  $-4 \text{ }^{\circ}\text{F}$  à  $145 \text{ }^{\circ}\text{F}$ ).

### 9.2 Stockage

Si votre appareil a été mouillé, le débarrasser. Sécher l'appareil, son coffret de transport et les accessoires (température max.  $40 \text{ }^{\circ}\text{C}$  /  $104 \text{ }^{\circ}\text{F}$ ) et nettoyer le tout. Ne remballer le matériel qu'une fois complètement sec.

Si votre matériel est resté longtemps stocké ou s'il a été transporté sur une longue distance, vérifier sa précision (mesure de contrôle) avant de l'utiliser. Retirer les piles si l'appareil n'est pas utilisé pendant un temps prolongé. Des piles qui coulent risquent d'endommager l'appareil.

### 9.3 Transport

**Defauts****Causes possibles****Solutions**

L'appareil ne peut pas être mis en marche.	Les piles sont vides.	Remplacer les piles.
	La polarité des piles est inversée.	Insérer correctement les piles.
	Le compartiment des piles n'est pas fermé.	Fermer le compartiment des piles.
	L'appareil ou le commutateur de sélection est défectueux.	Apporter l'appareil dans un atelier de réparation Hilti.
Des faisceaux laser individuels ne fonctionnent pas.	La source laser ou la commande laser est défectueuse.	Apporter l'appareil dans un atelier de réparation Hilti.
L'appareil peut être mis en marche mais aucun faisceau laser n'est visible.	La source laser ou la commande laser est défectueuse.	Apporter l'appareil dans un atelier de réparation Hilti.
La mise à niveau automatique ne fonctionne pas.	La température est trop élevée ou trop basse.	Laisser l'appareil refroidir ou se réchauffer.
	L'appareil est posé sur un support trop incliné.	Poser l'appareil sur une surface plane.
	La lumière parasite est trop importante.	Réduire la lumière parasite.
	Le capteur d'inclinaison est défectueux.	Apporter l'appareil dans un atelier de réparation Hilti.



## ATTENTION

En cas de recyclage incorrect de votre matériel, les risques suivants peuvent se présenter :

- La combustion de pièces en plastique risque de dégager des fumées et gaz toxiques nocifs pour la santé.
- Les piles abîmées ou fortement échauffées peuvent exploser, et ainsi causer des empoisonnements ou intoxications, des brûlures (notamment par acides), voire risquent de polluer l'environnement.
- En cas de recyclage sans précautions, des personnes non autorisées risquent d'utiliser le matériel de manière incorrecte, voire de se blesser sérieusement, d'infliger de graves blessures à des tierces personnes et de polluer l'environnement.



Les appareils Hilti sont fabriqués pour une grande partie en matériaux recyclables, dont la réutilisation exige un tri correct. Dans de nombreux pays, Hilti est déjà équipé pour reprendre votre ancien appareil afin d'en recycler les composants. Consulter le Service Clientèle Hilti ou votre conseiller commercial.



Les piles ne doivent pas être éliminées avec les ordures ménagères.



Pour les pays européens uniquement  
Ne pas jeter les appareils électriques dans les ordures ménagères !

Conformément à la directive européenne 2002/96/EG relative aux déchets d'équipements électriques ou électroniques (DEEE), et à sa transposition dans la législation nationale, les appareils électriques doivent être collectés à part et être soumis à un recyclage

Hilti garantit l'appareil contre tout vice de matières et de fabrication. Cette garantie s'applique à condition que l'appareil soit utilisé et manipulé, nettoyé et entretenu correctement, en conformité avec le mode d'emploi Hilti, et que l'intégrité technique soit préservée, c'est-à-dire sous réserve de l'utilisation exclusive de consommables, accessoires et pièces de rechange d'origine Hilti.

Cette garantie se limite strictement à la réparation gratuite ou au remplacement gracieux des pièces défectueuses pendant toute la durée de vie de l'appareil. Elle ne couvre pas les pièces soumises à une usure normale.

**Toutes autres revendications sont exclues pour autant que des dispositions légales nationales impératives ne s'y opposent pas. En particulier, Hilti ne saurait être tenu pour responsable de toutes détériorations, pertes ou dépenses directes, indirectes, accidentelles ou consécutives, en rapport avec l'utilisation ou dues à une incapacité à utiliser l'appareil dans quelque but que ce soit. Hilti exclut en particulier les garanties implicites concernant l'utilisation et l'aptitude dans un but bien précis.**

Pour toute réparation ou tout échange, renvoyer l'appareil ou les pièces concernées au réseau de vente Hilti compétent, sans délai, dès constatation du défaut.

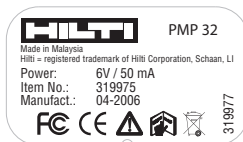
La présente garantie couvre toutes les obligations d'Hilti et annule et remplace toutes les déclarations antérieures ou actuelles, de même que tous accords oraux ou écrits concernant des garanties.

Cet appareil a subi des tests qui ont montré qu'il était conforme aux limites définies pour un instrument numérique de la classe B, conformément à l'alinéa 15 des règlements FCC. Ces limites sont conçues pour assurer une protection suffisante contre des interférences nuisibles dans les zones résidentielles. Des appareils de ce type génèrent, utilisent et peuvent donc émettre des radiations haute fréquence. S'ils ne sont pas installés et utilisés conformément aux instructions, ils peuvent causer des interférences nuisibles dans les réceptions de radiodiffusion. L'absence de telles perturbations ne peut toutefois être garantie dans des installations de type particulier. Si cet appareil provoque des interférences nuisibles à la réception radio ou télévision, ce qui peut être constaté en l'arrêtant et en le remettant en marche, l'utilisateur est tenu d'éliminer ces perturbations en adoptant l'une ou l'autre des mesures suivantes :

- Réorienter l'antenne de réception ou la déplacer.
- Augmenter la distance entre l'appareil et le récepteur.
- Raccorder l'appareil à une prise d'un circuit électrique différent de celui sur lequel est connecté le récepteur.
- Demander l'aide d'un revendeur ou d'un technicien spécialisé en radio / TV.

Toute modification ou tout changement subi par l'appareil et non explicitement approuvé par Hilti peut limiter le droit de l'utilisateur à se servir de l'équipement.

### Identification de l'appareil :





***Lea detenidamente el manual de empleo antes de la puesta en servicio de la herramienta.***

es

***Conserve siempre este manual de empleo cerca de la herramienta.***

***No entregue nunca la herramienta a otras personas sin el manual de empleo.***

### **Componentes de la herramienta 1**

- ① Ventanas de salida del láser
- ② Imanes
- ③ Conmutador selector
- ④ Indicador LED

<b>Índice</b>	<b>Página</b>
1. Indicaciones generales	34
2. Descripción	35
3. Útiles y accesorios	35
4. Datos técnicos	36
5. Indicaciones de seguridad	37
6. Puesta en servicio	40
7. Manejo y aplicaciones	40
8. Comprobación	42
9. Cuidado y mantenimiento	43
10. Localización de averías	44

es

### -PRECAUCIÓN-

Término utilizado para una posible situación peligrosa que podría ocasionar lesiones o daños materiales leves.

### -INDICACIÓN-

Término utilizado para indicaciones de uso y otras informaciones útiles.

## 1.2 Pictogramas

### Símbolos de advertencia



Advertencia de peligro en general



Placa de advertencia de radiación láser:  
Radiación láserica.  
No mirar al rayo  
Láser clase 2

### Símbolos



Leer el manual de empleo antes del uso



Reciclar los materiales usados

**1** Los números hacen referencia a las ilustraciones del texto que pueden encontrarse en las páginas desplegadas correspondientes. Manténgalas desplegadas mientras se familiarice con el manual de empleo.

En el texto de este manual de empleo, la expresión « la herramienta » siempre hace referencia al láser de plomada PMP 32.

### Ubicación de los datos identificativos de la herramienta.

La denominación del modelo y la identificación de serie se indican en la placa de tipo de su herramienta. Traslade estos datos al manual de empleo y menciónelos siempre que se realice alguna consulta a los representantes o las filiales de Hilti o al centro de reparaciones Hilti.

El PMP 32 es un láser de plomada autonivelante de fácil aplicación que puede utilizarse de forma individual para aplomar con gran precisión. La herramienta incorpora 2 rayos láser verticales.

es

Características:

- Precisión del rayo hacia arriba ( $\pm 3$  mm a 10 m sobre una superficie nivelada).
- Autonivelado en todas las direcciones en un intervalo de  $\pm 4^\circ$ .
- Tiempo mínimo de autonivelación: aprox. 3 segundos.
- Señal de aviso "Fuera de zona de nivelación" cuando se sobrepasa el margen de autonivelación (los rayos láser parpadean).
- Robusta carcasa de plástico resistente a los golpes.
- Pequeño y ligero, fácil de usar y transportar.
- Desconexión automática: la herramienta se apaga automáticamente después de 15 minutos. Dispone también del modo de funcionamiento continuo.
- Fácil de manejar.

## 2.1 Suministro del punto láser en una caja de cartón

- 1 láser de plomada PMP 32
- 1 bolsa para herramienta
- 4 pilas
- 1 manual de empleo
- 2 dianas

## 3. Herramientas y accesorios

### Accessories:

Diana (CM/IN)	PMA 52
Estuche de la herramienta	PMA 61
Gafas para visibilidad del láser*	PUA 60

\* Estas gafas no protegen contra el láser, ni protegen los ojos de los rayos

Rayo de alineación hacia arriba	30 m
Rayo de alineación hacia abajo	1 m (recomendado)
Precisión a 25 °C	
● Rayo de plomada hacia arriba	± 3 mm en 10 m (1/8 in en 30 ft)
● Rayo de plomada hacia abajo (de referencia)	± 2 mm en 1 m (1/12 in en 3 ft)
Intervalo de autonivelación	Aprox. 3 segundos
Clase de láser	Class 2, visible, 635 ± 10 nm @ 25 °C (IEC825-1; EN 60825- 01:2003; CFR 21 § 1040 (FDA))
Beam diameter	≤ 6,5 mm @ 10 m @ 25 °C / ≤ 13 mm @ 20 m @ 25 °C
Diámetro del rayo	± 4°
Intervalo de autonivelación	Tras 15 min
Desconexión automática (activada)	LED + Rayo láser
Indicación de horas de servicio	4 pilas alcalinas de manganeso, tipo AA
Tiempo de servicio a 25 °C [+77 °F]	Pilas alcalinas de manganeso: > 40 h
Temperatura de servicio	-10 °C a +40 °C (± 2) °C / +14 °F a 104 (± 4) °F
Temperatura de almacenamiento	-20 °C a +63 °C / -4 °F a 145 °F
Protección contra polvo y salpicaduras de agua	IP 54 (según IEC 529) en el exterior del compartimento para pilas
Peso	550 g sin pilas
Dimensiones:	Aprox. 119 (largo) x 57 (ancho) x 114 (alto) mm

\*El alcance depende de la luminosidad del entorno.  
Reservado el derecho a introducir modificaciones técnicas.



## 5.1 Observaciones básicas de seguridad

Además de las indicaciones técnicas de seguridad en cada uno de los capítulos de este manual de empleo, se deberán respetar de forma estricta las siguientes disposiciones.

es

## 5.2 Uso conforme a lo prescrito

La herramienta está diseñada principalmente para aplicaciones en interiores, tales como marcar puntos de plomada. Para aquellos casos en que se utilice en el exterior será preciso tener en cuenta que las condiciones de trabajo correspondan a las del espacio interior.

Ejemplos de aplicación:

- Transferencia de puntos marcados en el suelo al techo para el recorrido interno de los conductos de paredes en seco.
- Transferencia de puntos marcados en el suelo al techo para soportes de tuberías.

## 5.3 Aplicación indebida

- Utilización de la herramienta sin haber comprobado su precisión previamente.
- La herramienta y sus dispositivos auxiliares pueden conllevar riesgos si son manejados de forma inadecuada por parte de personal no cualificado o si se utilizan para usos diferentes a los que están destinados.
- No abra la herramienta.
- Para evitar lesiones, utilice exclusivamente accesorios y complementos originales Hilti.
- No está permitido efectuar manipulaciones o modificaciones en la herramienta.
- Observe las indicaciones sobre el funcionamiento, cuidado y mantenimiento contenidas en el manual de empleo.
- No anule los dispositivos de seguridad ni quite las placas indicativas o de advertencia.

- Asegure la zona de trabajo y, al montar la herramienta, tenga en cuenta que el rayo no esté dirigido hacia otras personas o usted mismo.
- Evite posturas extrañas cuando realice trabajos de alineado sobre una escalera de mano. Procure que la postura sea estable y manténgase siempre en equilibrio.
- Las mediciones a través de lunas de cristal u otros objetos pueden falsear los resultados de la medición.
- Procure que la herramienta esté montada sobre una base plana y estable.
- Procure que la herramienta esté montada sobre una base libre de vibraciones y sacudidas.
- Utilice la herramienta sólo en las aplicaciones definidas conforme a lo prescrito (véase 5.2).

### 5.4.1 Compatibilidad electromagnética

Aunque la herramienta cumple con las estrictas exigencias de las directivas pertinentes, Hilti no puede excluir la posibilidad de que la herramienta:

- se vea afectada por otros aparatos (p. ej., dispositivos de navegación de aviones o aparatos médicos)
- se vea afectada por una radiación fuerte, lo que conllevaría errores de funcionamiento. En estos casos o en cualquier otro caso dudoso será preciso realizar mediciones de control.

### 5.4.2 Clasificación de láser

La herramienta corresponde a la clase de láser 2 en base a la normativa IEC825-1/EN60825-01 y a la clase II en base a CFR 21 § 1040 (FDA). Los ojos están protegidos por el reflejo de cierre del párpado en caso de que se dirigiera la vista de modo casual y por un breve espacio de tiempo hacia el rayo láser. Este reflejo de cierre del párpado puede verse afectado nega-



## Placa de advertencia de radiación láser en EE.UU. conforme a CFR 21 § 1040 (FDA):



This Laser Product complies with CFR 21 § 1040 (FDA) as applicable. (Este producto cumple la norma 21 CFR-1040.)

### 5.5 Medidas de seguridad generales

- Antes de utilizar la herramienta compruebe si presenta daños o está sucia. En caso de que la herramienta esté dañada, llévela a un establecimiento del servicio técnico de Hilti.
- Es preciso comprobar la precisión de la herramienta en caso de haya sufrido un golpe o se produzcan otros efectos mecánicos.
- Si la herramienta se lleva de un entorno frío a otro más cálido o viceversa, será preciso que se aclimate antes de utilizarla.
- Cuando se utilice la herramienta con adaptadores, asegúrese de que esté firmemente atornillada.
- Para evitar errores de medición se deberá mantener limpio el orificio de salida del láser.
- Aunque esta herramienta ha sido concebida para emplearla en un entorno agresivo como la obra, hay que manejarla con sumo cuidado, exactamente igual que otras herramientas ópticas (binoculares, gafas, cámaras fotográficas).
- A pesar de que la herramienta está protegida contra la humedad, es conveniente secarla antes de introducirla en el maletín Hilti.

#### 5.5.1 Peligro eléctrico

## 6.1 Colocación de pilas nuevas 2

### -INDICACIÓN-

No emplee pilas que estén dañadas.

No utilice al mismo tiempo pilas nuevas y viejas. No utilice pilas de varios fabricantes o con denominaciones de modelo diferentes.

1. Si la herramienta está conectada, desconéctela.
2. Presione el botón de extracción del compartimento de las pilas ⑤.
3. Cambie las pilas.

### -PRECAUCIÓN-

Observe la polaridad.

4. Cierre el compartimento de las pilas. Compruebe que el enclavamiento cierra correctamente.

## 7. Manejo y aplicaciones

### 7.1 Manejo

#### -INDICACIÓN-

El péndulo puede oscilar libremente si la herramienta está colocada en posición horizontal ( $\leq \pm 5^\circ$ ).

Si la herramienta no puede autonivelarse, los rayos láser parpadean con una frecuencia alta.

Para obtener resultados de máxima precisión, coloque la herramienta sobre una superficie nivelada.

## -INDICACION-

Tras 15 minutos se apaga la herramienta automáticamente.

es

### 7.1.3 Desactivación de la desconexión automática

1. Mantenga pulsado el conmutador (durante 4 segundos aprox.) hasta que el LED de la herramienta parpadee tres veces a modo de confirmación.

### -INDICACIÓN-

La herramienta se desconecta si se pulsa el conmutador selector o cuando las pilas están agotadas.

## 7.2 Ejemplos de aplicación

### 7.2.1 Aplomo de estructuras de acero **3**

### 7.2.2 Alineación de fijaciones de tuberías **4**

### 7.2.3 Aplomo de las guías de un elevador **5**

## 7.3 Mensajes de servicio

### 7.3.1 Diodo de iluminación

El diodo de iluminación no se enciende.	<ul style="list-style-type: none"><li>● La herramienta está desconectada.</li><li>● Las pilas están agotadas.</li><li>● Las pilas están mal colocadas.</li></ul>
El diodo de iluminación está encendido de manera permanente.	<ul style="list-style-type: none"><li>● El rayo láser está conectado. La herramienta está en servicio.</li></ul>
El diodo de iluminación parpadea.	<ul style="list-style-type: none"><li>● Las pilas están casi agotadas.</li><li>● La temperatura en la herramienta es superior a 40 °C (104 °F) o inferior a -10 °C (14 °F) (el rayo láser no se enciende).</li><li>● Confirmación de desactivación de</li></ul>

El rayo láser parpadea dos veces cada 10 segundos.

El rayo láser parpadea con una frecuencia mayor.

● Las plomadas están casi agotadas.

● La herramienta no se nivela automáticamente.

## 8. Comprobación

### 8.1 Comprobación del rayo de plomada vertical 6

1. En un espacio cerrado de gran altura (por ejemplo en la escalera de un edificio con una altura de 5–10 m), practique una marca en el suelo (una cruz).
2. Coloque la herramienta sobre una superficie plana y horizontal.
3. Conecte el rayo de plomada vertical.
4. Coloque la herramienta con el rayo inferior en el centro de la cruz.
5. Marque el punto en que el rayo de plomada vertical incide en el techo (fije un papel en el techo).
6. Gire la herramienta 90°. El rayo de referencia debe quedar en el centro de la cruz.
7. Marque el punto del rayo de plomada vertical en el techo.
8. Repita el proceso con ángulos de 180° y 270°.

#### -INDICACIÓN-

Los 4 puntos resultantes definen un círculo donde los puntos de intersección de las diagonales d1 (1–3) y d2 (2–4) marcan el punto de plomada exacto.

#### Calculation of accuracy

$$\text{Resultado} = \frac{10}{\text{espacio cerrado [m]}} \times \frac{(d1 + d2) [\text{mm}]}{4} \quad (1) \text{ o}$$

$$\text{Resultado} = \frac{30}{\text{espacio [ft]}} \times \frac{(d1 + d2) [\text{inch}]}{4} \quad (2)$$

## 8.2 Cálculo de la precisión del blanco (g) con una distancia de medición diferente a 5 m:

$$g = (3 \text{ mm} \times \text{distancia de medición (m)})/5 \text{ m.}$$

En este caso, la distancia horizontal entre d1 y d2 debe tener como máximo el valor (g) dada una distancia de medición (m).

es

## 9. Cuidado y mantenimiento

### 9.1 Limpieza y secado

- Quite soplando el polvo del cristal.
- No toque el cristal con los dedos.
- Límpielo únicamente con un trapo limpio y suave. En caso necesario, humedézcalo con alcohol puro o un poco de agua.

### -INDICACIÓN-

- No utilice ningún otro tipo de líquido, ya que podrían dañar las piezas de plástico.
- Tenga en cuenta los valores límite de temperatura durante el almacenamiento de su equipo, especialmente en invierno/verano y si guarda el equipo en el maletero o habitáculo de su vehículo. (-20 °C a +63 °C/-4 °F a 145 °F).

### 9.2 Almacenamiento

Desembale las herramientas que se hayan mojado. Seque la herramienta, el depósito de transporte y los accesorios (a una temperatura máxima de 40°/104 °F) y límpielos. Vuelva a embalar el equipo cuando esté completamente seco. Lleve a cabo una medición de control antes de su utilización, si la herramienta ha estado durante un periodo prolongado almacenada o ha sufrido un transporte de larga duración. Retire las pilas si no se va a utilizar la herramienta en un periodo prolongado. Si las pilas tienen fugas pueden dañar la herramienta.

### 9.3 Transporte

Fallo	Causa	Soluciones posibles
No se puede conectar la herramienta.	Pilas vacías.	Cambiar las pilas.
	Polaridad errónea de las pilas.	Colocar las pilas correctamente.
	Compartimento para pilas abierto.	Cerrar el compartimento para pilas.
	Herramienta o conmutador selector defectuoso.	Enviar la herramienta al centro de reparación de Hilti.
Alguno de los rayos láser no funciona.	Fuente láser o direccionamiento láser defectuoso.	Enviar la herramienta al centro de reparación de Hilti.
La herramienta se puede conectar pero el rayo láser no es visible.	Fuente láser o direccionamiento láser defectuoso.	Enviar la herramienta al centro de reparación de Hilti.
	Temperatura demasiado alta o demasiado baja.	Dejar que la herramienta se enfríe o, en su caso, se caliente.
La nivelación automática no funciona.	Herramienta instalada sobre base demasiado inclinada.	Colocar la herramienta sobre una superficie plana.
	Intensidad excesiva de luz externa.	Reducir la luz externa.
	Sensor de inclinación defectuoso.	Enviar la herramienta al centro de reparación de Hilti.



## PRECAUCIÓN

Una eliminación no reglamentaria del equipamiento puede tener las siguientes consecuencias:

- En caso de quemarse las piezas de plástico se generarán gases tóxicos que podrían afectar a las personas.
- Si las pilas están dañadas o se calientan en exceso podrán explotar y ocasionar intoxicaciones, incendios, causticaciones, abrasiones o la contaminación del medio ambiente.
- Si se elimina de manera negligente, el equipo podrá llegar a manos de personas no autorizadas que hagan un uso inadecuado del mismo. De ello se deduce que podrían resultar dañadas terceras personas y el medio ambiente se vería perjudicado.



Las herramientas Hilti están fabricadas en su mayor parte con materiales reutilizables. La condición para dicha reutilización es una separación de materiales adecuada. En muchos países, Hilti ya está organizada para recoger su vieja herramienta y proceder a su recuperación. Póngase en contacto con el servicio de atención al cliente de Hilti o con su asesor de ventas.

es



Las baterías no se deberán desechar a los contenedores de la basura doméstica.



Sólo para los países de la UE

No deseche las herramientas eléctricas junto con la basura doméstica

De acuerdo con la Directiva europea 2002/96/CE sobre residuos de aparatos eléctricos y electrónicos así como de acuerdo a la legislación nacional, las herramientas

Hilti garantiza la herramienta suministrada contra todo fallo de material y de fabricación. Esta garantía se otorga a condición de que la herramienta sea utilizada, manejada, limpiada y revisada en conformidad con el manual de instrucciones de Hilti, y de que el sistema técnico sea salvaguardado, es decir, que se utilicen en la herramienta exclusivamente consumibles, accesorios y piezas de recambio originales de Hilti.

Esta garantía abarca la reparación gratuita o la sustitución sin cargo de las piezas defectuosas durante toda la vida útil de la herramienta. La garantía no cubre las piezas sometidas a un desgaste normal. Hilti será quien defina cuál es el periodo de vida útil de la herramienta, fijando este plazo siempre por encima de lo que marque la ley vigente

**Quedan excluidas otras condiciones que no sean las expuestas, siempre que esta condición no sea contraria a las prescripciones nacionales vigentes. Hilti no acepta la responsabilidad especialmente en relación con deterioros, pérdidas o gastos directos, indirectos, accidentales o consecutivos, en relación con la utilización o a causa de la imposibilidad de utilización de la herramienta para cualquiera de sus finalidades. Quedan excluidas en particular todas las garantías tácitas relacionadas con la utilización y la idoneidad para una finalidad precisa.**

Para toda reparación o recambio, les rogamos que envíen la herramienta o las piezas en cuestión a la dirección de su organización de venta Hilti más cercana inmediatamente después de la constatación del defecto.

Estas son las únicas obligaciones de Hilti en materia de garantía, las cuales anulan toda declaración anterior o contemporánea, del mismo modo que todos los acuerdos orales o escritos en relación con las garantías.

## -PRECAUCION-

Esta herramienta ha cumplido en las pruebas realizadas los valores límites que se estipulan en el apartado 15 de la normativa FFC para herramientas digitales de la clase B. Estos valores límites suponen una protección suficiente ante radiaciones por avería en instalaciones situadas en zonas habitadas. Las herramientas de este tipo generan y utilizan altas frecuencias y pueden por tanto emitirlos. Por esta razón pueden provocar anomalías en la recepción radiofónica, si no se ha instalado y puesto en funcionamiento según las especificaciones correspondientes.

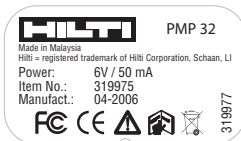
No puede garantizarse la ausencia total de anomalías en instalaciones específicas.

En caso de que esta herramienta causara anomalías en la recepción radiofónica o televisiva (puede comprobarse mediante la conexión y desconexión de la herramienta), se ruega al usuario que subsane estas anomalías mediante las siguientes medidas:

- Vuelva a tender o cambie de sitio la antena de recepción.
- Aumente la distancia entre la herramienta y el receptor.
- Conecte la herramienta en la toma de corriente de un circuito eléctrico diferente al del receptor.
- Solicite consejo a su proveedor o a un técnico de radio y televisión.

Todas aquellas modificaciones realizadas que no hayan sido permitidas de forma expresa por Hilti, pueden limitar el derecho del usuario a poner la herramienta en funcionamiento.

## Inscripciones del producto:





ご使用前にこの取扱説明書を必ずお読みください。

この取扱説明書は必ず本体と一緒に保管してください。

他の人が使用する場合には、本体と取扱説明書を一緒にお渡しください。

ja

## 各部名称 1

- ① レーザー照射窓
- ② マグネット
- ③ 選択ボタン
- ④ LED

目次	頁
1. 一般的な注意	50
2. 製品の説明	51
3. アクセサリー	51
4. 製品仕様	52
5. 安全上の注意	53
6. ご使用前に	56
7. ご使用方法	56
8. 点検	58
9. 手入れと保守	59

## 1.1 安全に関する表示とその意味

ja

### —注意—

この表記は、人身に対する軽傷あるいは機器や所有物の損傷が発生する危険性がある場合に使われます。

### —注意事項—

この注意は、本製品を効率良く取り扱うための注意事項や役に立つ情報を示す場合に使われます。

## 1.2 記号

### 警告表示



一般警告事項



レーザー警告：  
レーザー照射  
レーザーを覗き込まないで  
ください。  
レーザークラス2

### 略号



ご使用前に  
取扱説明書  
をお読みください



リサイクル  
対象部品です

**1** この数字は該当図を示しています。図は二つ折りの表紙の中にあります。取扱説明書をお読みの際は、これらのページを開いてください。この説明書での「本体」は、常にPMP 32 鉛直ポイントレーザーを指します。

### 機種名・製造番号の表示箇所

機種名および製造番号は本体の銘板に表示されています。当データをご自身の取扱説明書にメモ書きしておき、お問い合わせなどの必要な場合に引用してください。

PMP 32は自動整準機能付きの鉛直ポイントレーザーで、迅速かつ正確な垂出しの作業を一人で行うことができます。本体は2本の鉛直レーザービームを照射します。

ja

特徴：

- 高精度の上方向鉛直ビーム（誤差は、水準面10 m当たり±3 mm以内）。
- 全ての方向に±4°以内で自動整準。
- すばやい自動整準：3秒以内。
- 自動整準範囲を超える場合、「整準範囲外」の警告（レーザービームが点滅）。
- 頑丈で耐衝撃性のプラスチックハウジング。
- コンパクトで軽量：操作しやすく、持ち運びに便利。
- 自動停止機能：本体が何も操作されない状態で約15分が経過すると、本体スイッチは自動的にオフになります。継続作動モードの選択も可能です。
- 簡単操作。

## 2.1 ポイントレーザーパッケージの構成（梱包内）

PMP 32 鉛直ポイントレーザー：1台

布バッグ：1

乾電池：4本

取扱説明書：1

ターゲット板：2枚

## 3. アクセサリー

アクセサリー：

ターゲット板 (CM/IN)

PMA 52

布バッグ

PMA 61

レーザーゴーグル\*

PUA 60

ja

有効照射距離 上方向ビーム 下方向ビーム	30 m* 1 m (推奨)
照射精度 (25 °C) ● 鉛直ビーム、上方向 ● 鉛直ビーム、下方向 (基準)	10 m 当たり ± 3 mm 1 m 当たり ± 2 mm
自動整準時間	3 秒以内
レーザークラス	クラス2、可視、635 ± 10 nm (25 °C) (IEC825-1; EN 60825-01:2003;CFR 21 § 1040 (FDA))
ビーム直径	10 m で ≤ 6.5 mm (25 °C) / 20 m で ≤ 13 mm (25 °C)
自動整準範囲	± 4°
自動スイッチオフ	15 分後
動作状態表示	LED + レーザービーム
電源	単3 アルカリ乾電池 4 本
電池寿命 (25 °C)	アルカリ乾電池: > 40 時間
動作温度	- 10 °C ~ + 40 °C (± 2) °C
保管温度	- 20 °C ~ + 63 °C
防塵、防滴構造	IP 54 (IEC 529)、電池収納部を除く
重量	550 g (電池を含まず)
寸法	約 119 (長) × 57 (幅) × 114 (高) mm

\* 有効照射距離は周囲の明るさによって異なります。  
製品仕様は予告なく変更されることがあります。



## 5.1 基本的な安全情報

この取扱説明書の各項に記された安全注意事項の外に、下記事項を必ず守ってください。

ja

## 5.2 用途

屋外で本体を使用する場合は、作業環境が室内での使用状況と同じになるよう注意を払ってください。

使用例：

- 間仕切り用ランナー設置のための地墨の天井への写し。
- 配管支持金具設置のための地墨の天井への写し。

## 5.3 誤った使用



- 本体を使用する前には必ず精度を点検してください。
- 本体および付属品を、トレーニングを受けていない作業員が間違った使い方をしたり、あるいは規定外の使用をすると危険です。
- 本体のハウジングを分解しないでください。
- 事故を防止するため、ヒルティ純正の付属品およびアクセサリーのみを使用してください。
- 本体の加工や改造はしないでください。
- 取扱説明書に記述されている使用、手入れ、保守に関する事項に留意してご使用ください。
- 安全機構を無効にしたり、注意事項や警告事項のステッカーをはがしたりしないでください。
- 本体は子供の手の届かない所に置いてください。
- 修理は必ず、ヒルティサービスセンターに依頼してください。誤った手順で本体の分解を試みると、クラス2を超えるレーザーが放射されることがあります。



ja

- 作業場の安全を確保し、本体を設置するときは、レーザービームが他人や自分に向いていないことを確かめてください。
- 梯子や足場の上で作業を行うときは、不安定な体勢にならないように注意してください。足元を確かにし、常にバランスを保ちながら作業してください。
- ガラスや透明な物質を通して照射した場合は、正確でない可能性があります。
- 本体はしっかりした水平面上に据え付けてください。
- 本体は振動のないしっかりした土台の上に据え付けてください。
- 本体は必ず規定の用途範囲内で使用してください（5.2 を参照）。

#### 5.4.1 電磁波適合性

本体は厳しい規則に適合するように設計されていますが、下記のような事態が起こる可能性があります。

- 本体は他の機器（例、航空機の運航システム、医療機器など）に影響を及ぼす可能性があります。
- 電磁波の照射により障害を受けて、作動異常が発生する恐れがあります。以上のような状況下で作業を行う場合は、本体の作動精度について確認してください。

#### 5.4.2 レーザー分類

本体は IEC825-1/EN60825-01 2003 規格に準拠するレーザークラス 2、および CFR 21 § 1040 (FDA) に準拠するクラス II に準じています。万一レーザービームを少しの間でも覗き込んでしまった場合、まぶたが反射的に閉じることにより目を保護します。この反射動作は、薬、アルコール、薬品の服用時には低下する恐れがありますのでご注意ください。本体の使用にあたっては特別な保護装置は必要ありません。さらに、太陽光線と同様、光源を直接覗き込むようなことは避けてください。レーザービームを他の人に向けないでください。

CFR 21 § 1040 (FDA) 準拠のレーザーに関する警告表示 (米国の場合) :



ja

本体は CFR 21 § 1040 (FDA) に準拠しています。

## 5.5 一般的な安全対策

- 使用前に、本体に汚れや損傷がないか点検してください。もし損傷が発見された場合は、ヒルティサービスセンターに修理を依頼してください。
- もし本体が落下やその他の機械的な外力を受けた場合は、本体の精度をチェックしてください。
- 極度に低温の場所から高温の場所に移す場合、あるいはその逆の場合は、本体温度が周囲温度と同じになるまで待ってから使用してください。
- アダプターを使用するときは、本体がしっかりネジ込まれていることを確認してください。
- 不正確な作業を避けるために、レーザービームの照射窓は常にきれいにしておいてください。
- 本体は現場仕様に設計されていますが、他の光学機器（双眼鏡、眼鏡、カメラなど）と同様、慎重に取り扱ってください。
- 本体は防湿仕様になっていますが、本体ケースに入れる前に必ず水気を拭き取り、乾いた状態で保管してください。

### 5.5.1 電氣的な危険

- 搬送の際は、本体から電池を抜き取ってください。
- 環境汚染を防止するために、本体と電池は各国の定められた規制にしたがって廃棄してください。ご不明な場合はメーカーへお問い合わせください。



ja

## 6.1 電池の挿入 2

### —注意事項—

損傷した電池は使用しないでください。

古い電池と新しい電池を混ぜないでください。メーカーの違う電池や種類の違う電池を混ぜないでください。

1. 本体がオンになっている場合は、オフにしてください。
2. 電池収納部のリリースボタン ⑤ を押します。
3. 電池を交換します。

### —注意—

極性を間違わないよう注意してください。

4. 電池収納部を閉じます。電池収納部が正しくロックされていることを確認してください。

## 7. ご使用方法



### 7.1 操作方法

#### —注意事項—

本体を水平面 ( $\leq \pm 4^\circ$ ) にセットすると、振り子が自由に振れます。

本体の自動整準範囲を超えた傾きの面に置かれた場合は、レーザービームが早く点滅します。

正確な作業結果は水平面で得られます。

## —注意事項—

本体を操作せず約15分が経過すると、本体は自動的に電源オフになります。

ja

### 7.1.3 自動停止機能オフ

1. レーザービームが3回点滅するまで選択ボタンを押し続けます（約4秒）。

#### —注意事項—

選択ボタンを押した場合あるいは電池が切れた場合、本体は電源オフになります。

## 7.2 作業例

### 7.2.1 鉄骨構造物の立ちをチェック 3

### 7.2.2 配管の芯出し 4

### 7.2.3 エレベーターレールの立ちをチェック 5

## 7.3 作動モードの表示

### 7.3.1 LED

LEDが点灯しない。	<ul style="list-style-type: none"><li>● 電源がオフになっている。</li><li>● 電池残量がない。</li><li>● 電池の極性が間違っていてセットされている。</li></ul>
LEDが連続点灯。	<ul style="list-style-type: none"><li>● レーザービームがオン。 本体が作動中。</li></ul>
LEDが点滅。	<ul style="list-style-type: none"><li>● 電池残量が少なくなっている。</li><li>● 本体の温度が40℃より高い、または-10℃より低い（レーザービームは点灯しない）。</li></ul>

2 回点滅。	● 電池残量が少なくなっている。
レーザービームが早く点滅。	● 本体が自動整準されない。

ja

## 8. 点検

### 8.1 鉛直ビームのチェック 6

1. 高さ 5 ~ 10 m の空間（吹抜けのある室内など）の床面に十字マークを付けます。
2. 本体を水平な床面に設置します。
3. 鉛直ビームをオンにします。
4. 本体の地墨ポイントを十字マークの中心にあわせます。
5. 鉛直ビームの位置を天井にケガキます（天井に紙を一枚貼っておく）。
6. 地墨ポイントを十字マークに合わせたまま、本体を 90° 回します。
7. 鉛直ビームの位置を天井にケガキます。
8. この作業を、180° と 270° の角度で繰り返します。

#### —注意事項—

上記の結果、マークした 4 つの点の対角線 d1（1 ~ 3）と d2（2 ~ 4）の交点は正確な鉛直ポイントを示します。

#### 照射精度の計算

$$\text{結果} = \frac{10}{\text{部屋の高さ [m]}} \times \frac{(d1+d2) [\text{mm}]}{4} \quad (1)$$

この計算式による結果は 10 m 当たりの照射精度 (mm) を示します（計算式 (1)）。計算結果は、本体の製品仕様の範囲内にならなければなりません（10 m 当たり 3 mm 以内）。

### 8.2 照射距離が 5 m 以外の場合の照射精度 (g) の計算

## 9.1 清掃および乾燥

- レンズの埃は吹き飛ばしてください。
- 指でガラス部分に触れないでください。
- 清掃には柔らかいきれいな布以外は使用しないでください。必要に応じ、純アルコールか少量の水で布を湿らせて使ってください。

ja

### —注意事項—

- プラスチック部分を傷める可能性がありますので、上記以外の液体は使用しないでください。
- 本体を保管する場合は、保管温度を確認してください。特に車内に保管する場合、冬や夏の本体温度に注意してください。保管温度(-20 °C ~ +63 °C)

## 9.2 保管

本体が濡れた場合はケースに入れしないでください。本体、本体ケース、アクセサリは清掃し、乾燥させておく必要があります(最高40 °C)。本体は完全に乾燥した状態で本体ケースに収納してください。

長期間保管した後や搬送後は、使用前に本体の精度をチェックしてください。本体を長期間使用しない時は、電池から流れ出た液体が、本体に損傷を与える可能性がありますので電池を抜き取ってください。

## 9.3 搬送

搬送や出荷の際は、本体をヒルティの本体ケースか同等の質のものに入れてください。

### —注意事項—

搬送時は必ず電池を抜き取ってください。

症状	考えられる原因	処置
電源が入らない。	電池が空。	電池を交換する。
	電池の極性を間違えている。	電池を正しくセットする。
	電池収納部が閉まっていない。	電池収納部を閉める。
	本体または選択ボタンの故障。	ヒルティサービスセンターに修理を依頼。
各レーザービームが作動しない。	レーザー光源またはレーザー制御の故障。	ヒルティサービスセンターに修理を依頼。
電源は入るが、レーザービームが照射されない。	レーザー光源またはレーザー制御の故障。	ヒルティサービスセンターに修理を依頼。
	本体温度が高すぎる、または低すぎる。	本体を作動温度範囲内まで自然に冷ます、または暖める。
自動整準が作動しない。	本体が自動整準範囲以上に傾いた面に設置されている。	本体を水平面に設置する。
	太陽光など外部光線が強すぎる。	外部光線に直に当たらないよう影になる場所に設置する。
	傾斜センサーの故障。	ヒルティサービスセンターに修理を依頼。



機器を不適切に廃棄すると、以下のような深刻な問題が発生する恐れがあります。

- プラスチック部品を燃やすと毒性のガスが発生し、人体に悪影響を及ぼすことがあります。
- 損傷や高温によって、電池から内液が流れ出ると、毒害、火傷、腐食、環境汚染の原因となることがあります。
- 不注意に捨てると、製品知識のない人が拾って指示に従わずに機器を使用する可能性があり、その結果、自分自身だけでなく第三者が重大な怪我を負ったり、さらに環境を汚染したりする可能性があります。



本体部品の大部分の部品はリサイクル可能です。リサイクル前にそれぞれの部品は分別して回収されなければなりません。多くの国でヒルティは、本体や古い電動工具をリサイクルのために回収しています。詳細については弊社営業担当またはヒルティ代理店・販売店にお尋ねください。



電池は一般ごみと一緒に廃棄しないでください。



EU 諸国のみ

本体を一般ごみとして廃棄することは禁止されています。古い電気および電子工具の廃棄に関するヨーロッパ基準 2002/96/EC と各国の法律に基づき、使用済みの電気工具は一般ゴミとは別にして、環境保護のためリサイクル規制部品として廃棄してください。

ヒルティは提供した本体に材質的または、製造上欠陥がないことを保証します。この保証はヒルティ取扱説明書に従って本体の操作、取り扱いおよび清掃、保守が正しく行われていること、ならびに技術システムが維持されていることを条件とします。このことは、ヒルティ純正の、消耗品、付属品、修理部品のみを本体に使用することができることを意味します。

この保証で提供されるのは、本体のライフタイム期間内における欠陥部品の無償の修理サービスまたは部品交換に限られます。通常の摩耗の結果として必要となる修理、部品交換はこの保証の対象となりません。

上記以外の請求は、拘束力のある国内規則がこのような請求の排除を禁じている場合を除き一切排除されます。とりわけ、ヒルティは、本体の使用目的の如何に関わらず、使用した若しくは使用できなかったことに関して、またはそのことを理由として生じた直接的、間接的、付随的、結果的な損害、損失または費用について責任を負いません。市場適合性および目的への適合性についての保証は明確に排除されます。

修理または交換の際は、欠陥が判明した本体または関連部品を直ちに弊社営業担当またはヒルティ代理店・販売店宛てにお送りください。

以上が、保証に関するヒルティの全責任であり、その他の保証に関する説明または口頭若しくは文書による取り決めは何ら効力を有しません。





LI-9494 Schaan  
Tel.: +423 / 234 21 11  
Fax: +423 / 234 29 65  
www.hilti.com

