



DCH 300

Operating instructions

en

Mode d'emploi

fr

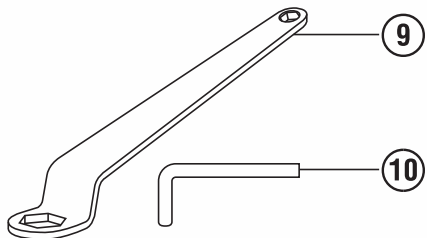
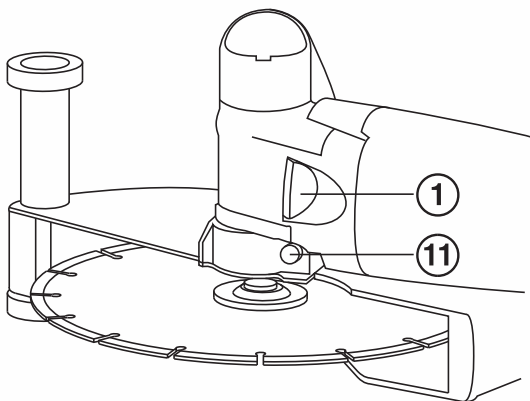
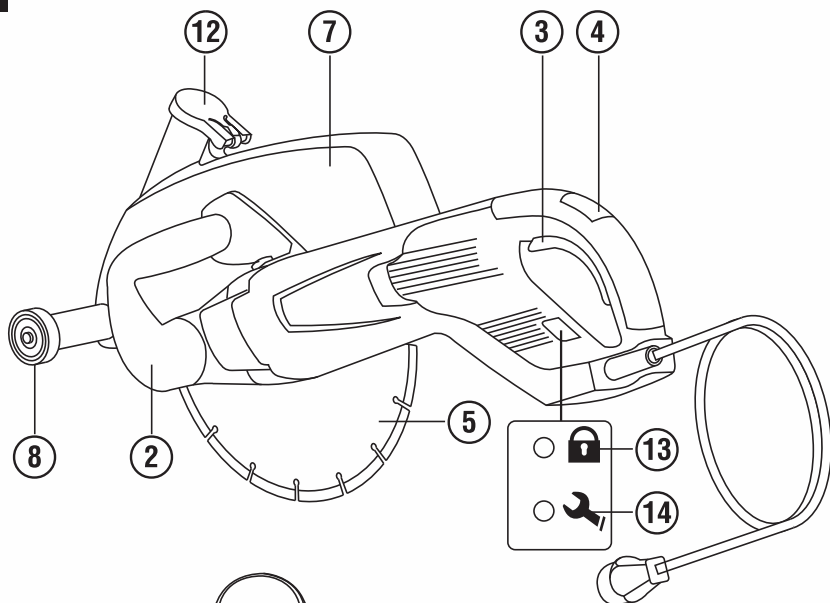
Manual de instrucciones

es

Manual de instruções

pt

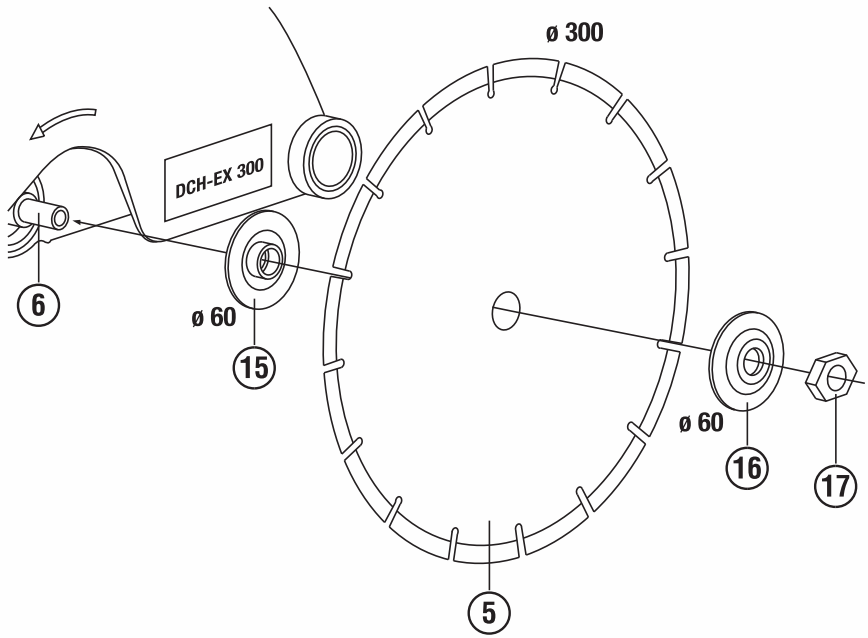
1



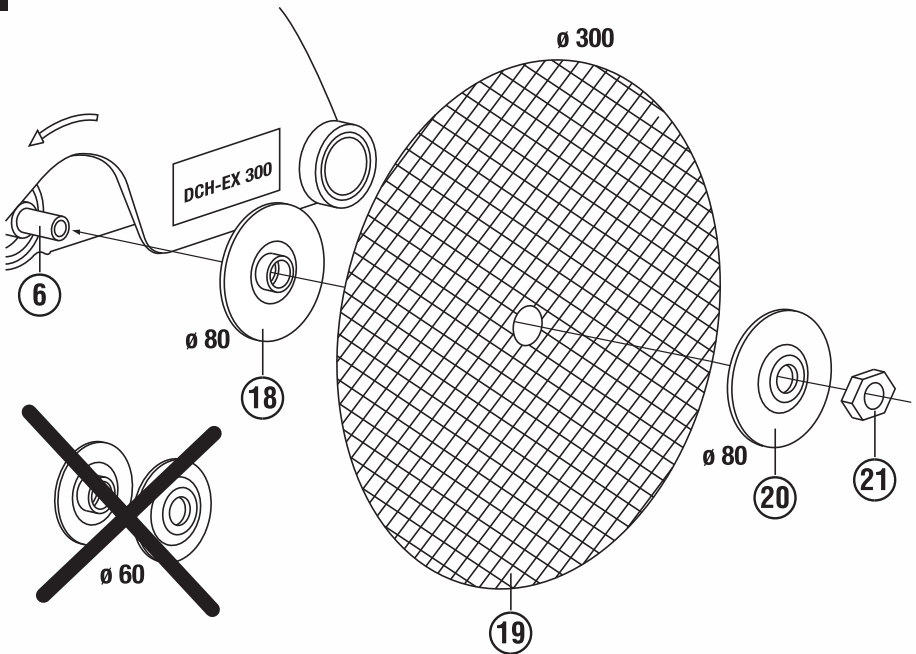
This Product is Certified
Ce produit est homologué
Producto homologado por
Este producto está registrado

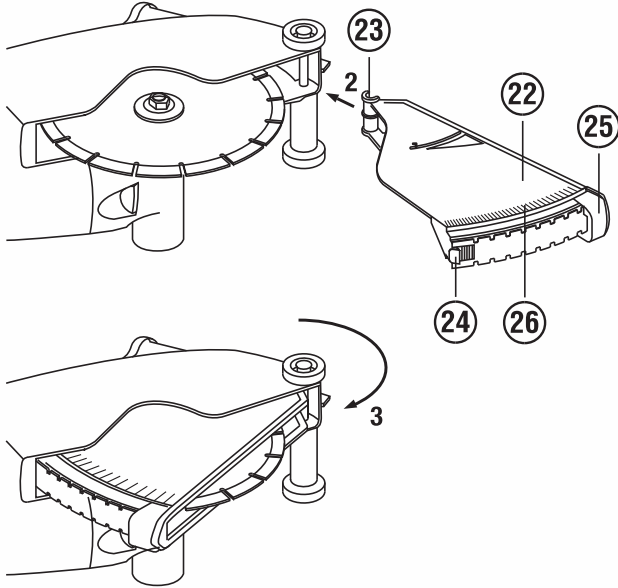


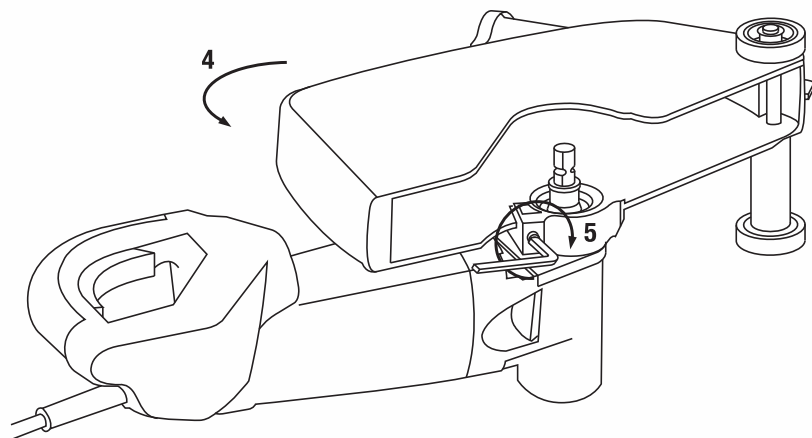
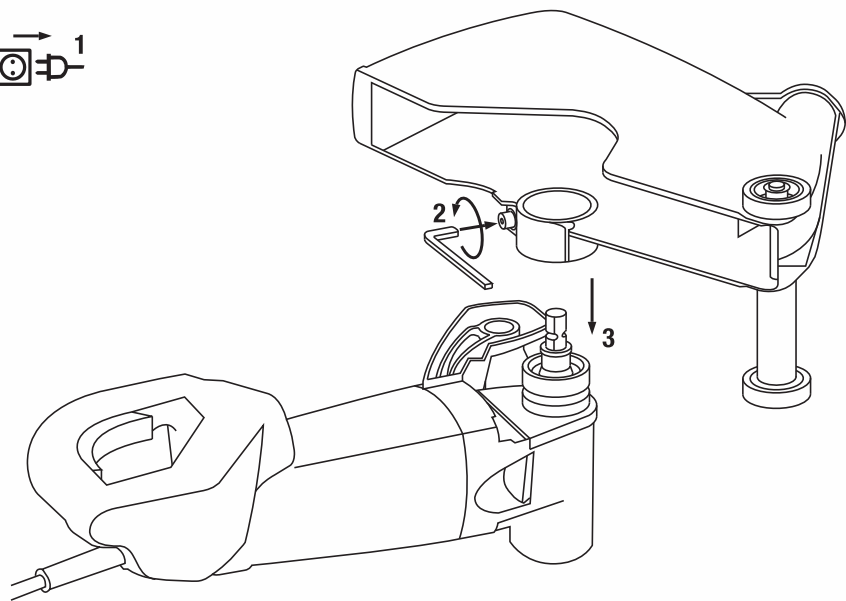
2



3







DCH 300 diamond cutter

It is essential that the operating instructions are read before the machine is operated for the first time.

Always keep these operating instructions together with the machine.

Ensure that the operating instructions are with the machine when it is given to other persons.

Contents	Page
1 General information	1
2 Description	2
3 Accessories, consumables	4
4 Technical data	5
5 Safety instructions	5
6 Before use	9
7 Operation	11
8 Care and maintenance	12
9 Troubleshooting	13
10 Disposal	14
11 Manufacturer's warranty	14

1 These numbers refer to the corresponding illustrations. The illustrations can be found on the fold-out cover pages. Keep these pages open while studying the operating instructions.

In these operating instructions, the designation "the power tool" always refers to the DCH 300 diamond cutter.

Operating controls and indicators **1**

- ① Spindle lockbutton

- ② Front grip
- ③ On / off switch
- ④ Switch-on interlock release button
- ⑤ Diamond cutting disc
- ⑥ Spindle
- ⑦ Guard (hood)
- ⑧ Guide wheels
- ⑨ Clamping nut wrench, 24 mm AF / 10 mm AF
- ⑩ Hex. socket wrench, 6 mm AF
- ⑪ Guard (hood) clamping screw
- ⑫ Dust removal connector cap
- ⑬ Service indicator
- ⑭ Theft protection indicator (option)

DCH 300 mounting system for diamond cutting discs **2**

- ⑮ Reversible flange 60 mm dia.
- ⑯ Clamping flange, 60 mm dia.
- ⑰ Clamping nut, M16 x 1.5

DCH 300 mounting system for synthetic resin-bonded fiber-reinforced abrasive cutting discs (optional) **3**

- ⑱ Reversible flange 80 mm dia.
- ⑲ Synthetic resin-bonded fiber-reinforced cutting discs with a diameter of 300 mm (12")
- ⑳ Clamping flange, 80 mm dia.
- ㉑ Clamping nut, M16 x 1.5

Hood extension with depth gauge (optional) **4**

- ㉒ Hood extension
- ㉓ Hook
- ㉔ Stop
- ㉕ Cutting depth sliding indicator
- ㉖ Cutting depth scale

1 General information

1.1 Safety notices and their meaning

DANGER

Draws attention to imminent danger that will lead to serious bodily injury or fatality.

WARNING

Draws attention to a potentially dangerous situation that could lead to serious personal injury or fatality.

CAUTION

Draws attention to a potentially dangerous situation that could lead to slight personal injury or damage to the equipment or other property.

NOTE

Draws attention to an instruction or other useful information.

1.2 Explanation of the pictograms and other information

Warning signs



General warning



Warning: electricity

Obligation signs



Wear a hard hat.



Wear eye protection.



Wear ear protection.



Wear protective gloves.



Wear safety shoes.



Wear breathing protection.

Symbols



Read the operating instructions before use.



Return waste material for recycling.

A

Amps

V

Volts



Alternating current

/min

Revolutions per minute

RPM

Revolutions per minute



Diameter

n

Rated speed



Double insulated

Location of identification data on the machine

The type designation and serial number can be found on the type identification plate on the machine. Make a note of this data in your operating instructions and always refer to it when making an enquiry to your Hilti representative or service department.

Type: _____

Serial no.: _____

2 Description

2.1 Use of the product as directed

The DCH 300 is an electrically powered diamond cutter for professional use in the construction industry.

It is designed for cutting mineral materials with diamond discs without use of water.

A vacuum cleaner with the appropriate filter, e.g. Hilti VCD 50 vacuum cleaner, must be used when cutting mineral materials.

In order to avoid electrostatic effects, a vacuum cleaner equipped with an antistatic hose should be used.

Use only diamond cutting discs with a maximum permissible peripheral speed of at least 80 m/sec (16000 ft/min).

The power tool is to be used exclusively in pushing mode (counter rotation).

The use of liquids, e.g. to cool the disc or suppress dust, is not permissible.

Do not use the power tool for cutting with cutting tools of a type not specified in these operating instructions (e.g. circular saw blades) or for grinding.

When equipped with synthetic resin-bonded fiber-reinforced abrasive cutting discs, the power tool can also be used for cutting metals. When doing so, use only synthetic resin-bonded fiber-reinforced abrasive cutting discs with a maximum permissible peripheral speed of at least 80 m/sec (16000 ft/min).

The working environment may be as follows: construction site, workshop, renovation, conversion or new construction.

To avoid the risk of injury, use only genuine Hilti accessories and cutting tools.

Observe the safety rules and operating instructions for the accessories used.

Observe the information printed in the operating instructions concerning operation, care and maintenance.

The machine is designed for professional use and may be operated, serviced and maintained only by trained, authorized personnel. This personnel must be informed of any special hazards that may be encountered. The machine and its ancillary equipment may present hazards when used incorrectly by untrained personnel or when used not as directed.

The machine may be used only in a dry environment.

The machine may be operated only when connected to a power supply providing a voltage and frequency in compliance with the information given on its type identification plate.

Do not use the machine where there is a risk of fire or explosion.

Working on materials hazardous to the health (e.g. asbestos) is not permissible.

Modification of the machine or tampering with its parts is not permissible.

2.2 Switches

On/off switch with switch-on interlock

2.3 Starting current limitation

The starting current drawn by the power tool is several times higher than its rated current. The electronic starting current limiter reduces the starting current drawn by the power tool and thus prevents the mains fuse blowing. It also allows the power tool to start smoothly, without a jolt.

2.4 Restart interlock

The power tool does not restart by itself after an interruption in the electric supply. The switch must first be released and then pressed again after approx. 1 second.

2.5 TPS theft protection system (optional)

The power tool may be optionally equipped with the TPS theft protection system. If equipped with this feature, the power tool can be unlocked and made ready for operation only through use of the corresponding TPS key.

2.6 LED indicators

Service indicator LED (see section "Care and maintenance")

Theft protection system indicator (optional) (see section "Operation")

2.7 Guard (hood) with guide wheels

Cutting and slitting work on stone may be carried out only when the power tool is equipped with a dust hood with wheels.

2.8 Electronic overload protection

This power tool is equipped with electronic overload protection.

The electronic overload protection system monitors the current input and thus prevents overloading of the tool during use.

The power tool switches itself off automatically when excessive pressure is applied resulting in excessively high electric current input.

After releasing the on / off switch, the power tool can be restarted.

The user can prevent activation of this automatic cut out by reducing the pressure applied to the tool.

The user should aim to work continuously with the tool without activation of the automatic cut-out.

2.9 Using extension cords

Use only extension cords of a type approved for the application and with conductors of adequate gauge. The power tool may otherwise lose performance and the extension cord may overheat. Check the extension cord for damage at regular intervals. Replace damaged extension cords.

Recommended minimum conductor gauge (cross section) and max. cable lengths

Conductor cross section	14 AWG	12 AWG
Mains voltage 110-120 V	-	125 ft

Do not use extension cords with 16 AWG conductor cross section.

2.10 Using extension cords outdoors

When working outdoors, use only extension cords that are approved and correspondingly marked for this application.

2.11 Using a generator or transformer

This tool may be powered by a generator or transformer when the following conditions are fulfilled: The unit must provide a power output in watts of at least twice the value printed on the type identification plate on the power tool. The operating voltage must remain within +5% and -15% of the rated voltage at all times, frequency must be in the 50 – 60 Hz range and never above 65 Hz, and the unit must be equipped with automatic voltage regulation and starting boost.

Never operate other power tools or appliances from the generator or transformer at the same time. Where applicable, use a generator or transformer designed for simultaneous power tool and vacuum cleaner operation. Switching other power tools or appliances on and off may cause undervoltage and / or overvoltage peaks, resulting in damage to the power tool.

2.12 Hood extension with depth gauge (optional)

The power tool can be fitted with an optional hood extension with depth gauge. This improves dust removal performance for cutting mineral materials. The maximum cutting depth can be set with the aid of the cutting depth scale on the hood extension.

2.13 The items supplied as standard include:

- 1 Power tool with DCH-EX 300 hood
- 1 Reversible flange 60 mm dia.
- 1 Clamping flange, 60 mm dia.
- 1 Clamping nut, M16 x 1.5
- 1 Clamping nut wrench, 24 mm AF / 10 mm AF
- 1 Hex. socket wrench, 6 mm AF
- 1 Cardboard box
- 1 Operating instructions

2.14 Cutting disc specifications

Diamond cutting discs in compliance with the requirements of ANSI B7.1 are to be used with the power tool. Synthetic resin-bonded fiber-reinforced cutting discs in compliance with ANSI B7.1 (cutting-off wheels of the straight, not offset type) may also be used with this power tool for working on metals. In this case, the appropriate DCH 300 ABR disc mount (see accessories) must be used with the power tool. The mounting instructions issued by the disc manufacturer must also be observed.

3 Accessories, consumables

Designation	Item number, description
DCH 300 ABR disc mount	212259, Reversible flange \varnothing 80 mm, clamping flange \varnothing 80 mm, clamping nut M16 x 1.5
Depth gauge for the DCH 300	212131
Vacuum cleaner from the Hilti range	
Antistatic hose, complete	203867, Length 5 m (16.4 ft), \varnothing 36
Hilti toolbox	47986

DCH 300

Disc type	Specification	Material
Diamond cutting disc	DCH-D 12" C1	Concrete
Diamond cutting disc	DCH-D 12" C2	Hard concrete
Diamond cutting disc	DCH-D 12" M1	Masonry, sand-lime block
Diamond cutting disc	DCH-D 12" C10	Concrete (Economy Line disc)
Diamond cutting disc	DCH-D 12" M10	Masonry (Economy Line disc)

4 Technical data


Right of technical changes reserved.

Other information about the power tool	DCH 300
Rated voltage	120 V
Rated current input	20 A
Mains frequency	60 Hz
Dimensions (L x W x H)	705 mm (27.76") x 240 mm (9.45") x 235 mm (9.25")
Drive spindle thread	M 16 X 1.5
Disc arbor size	25.4 mm (1")
Cutting disc	∅ Max. 305 mm (12")
Cutting disc thickness	Max. 3.5 mm (1/8")
Weight of the power tool	9.4 kg (20.72 lb)
Protection class	Protection class I (grounded) or protection class II (double insulated). See type identification plate.
Rated speed under no load	Max. 4,900/min
Clamping nut tightening torque	M16 x 1.5: 40...50 Nm (30...37 lb/ft)

en

5 Safety instructions

5.1 General Power Tool Safety Warnings

- a)  **WARNING**
Read all safety warnings and instructions. Failure to follow the warnings and instructions may result in electric shock, fire and/or serious injury. **Save all warnings and instructions for future reference.** The term "power tool" in the warnings refers to your mains-operated (corded) power tool or battery-operated (cordless) power tool.

5.1.1 Work area safety

- a) **Keep work area clean and well lit.** Cluttered or dark areas invite accidents.
- b) **Do not operate power tools in explosive atmospheres, such as in the presence of flammable liquids, gases or dust.** Power tools create sparks which may ignite the dust or fumes.
- c) **Keep children and bystanders away while operating a power tool.** Distractions can cause you to lose control.

5.1.2 Electrical safety

- a) **Power tool plugs must match the outlet. Never modify the plug in any way. Do not use any adapter plugs with earthed (grounded) power tools.** Unmodified plugs and matching outlets will reduce risk of electric shock.
- b) **Avoid body contact with earthed or grounded surfaces such as pipes, radiators, ranges and refrigerators.** There is an increased risk of electric shock if your body is earthed or grounded.

- c) **Do not expose power tools to rain or wet conditions.** Water entering a power tool will increase the risk of electric shock.
- d) **Do not abuse the cord. Never use the cord for carrying, pulling or unplugging the power tool. Keep cord away from heat, oil, sharp edges or moving parts.** Damaged or entangled cords increase the risk of electric shock.
- e) **When operating a power tool outdoors, use an extension cord suitable for outdoor use.** Use of a cord suitable for outdoor use reduces the risk of electric shock.
- f) **If operating a power tool in a damp location is unavoidable, use a residual current device (RCD) protected supply.** Use of an RCD reduces the risk of electric shock.

5.1.3 Personal safety

- a) **Stay alert, watch what you are doing and use common sense when operating a power tool. Do not use a power tool while you are tired or under the influence of drugs, alcohol or medication.** A moment of inattention while operating power tools may result in serious personal injury.
- b) **Use personal protective equipment. Always wear eye protection.** Protective equipment such as dust mask, non-skid safety shoes, hard hat, or hearing protection used for appropriate conditions will reduce personal injuries.
- c) **Prevent unintentional starting. Ensure the switch is in the off-position before connecting to power source and/or battery pack, picking up or carrying the tool.** Carrying power tools with your finger on the

switch or energising power tools that have the switch on invites accidents.

- d) **Remove any adjusting key or wrench before turning the power tool on.** A wrench or a key left attached to a rotating part of the power tool may result in personal injury.
- e) **Do not overreach. Keep proper footing and balance at all times.** This enables better control of the power tool in unexpected situations.
- f) **Dress properly. Do not wear loose clothing or jewellery. Keep your hair, clothing and gloves away from moving parts.** Loose clothes, jewellery or long hair can be caught in moving parts.
- g) **If devices are provided for the connection of dust extraction and collection facilities, ensure these are connected and properly used.** Use of dust collection can reduce dust-related hazards.

5.1.4 Power tool use and care

- a) **Do not force the power tool. Use the correct power tool for your application.** The correct power tool will do the job better and safer at the rate for which it was designed.
- b) **Do not use the power tool if the switch does not turn it on and off.** Any power tool that cannot be controlled with the switch is dangerous and must be repaired.
- c) **Disconnect the plug from the power source and/or the battery pack from the power tool before making any adjustments, changing accessories, or storing power tools.** Such preventive safety measures reduce the risk of starting the power tool accidentally.
- d) **Store idle power tools out of the reach of children and do not allow persons unfamiliar with the power tool or these instructions to operate the power tool.** Power tools are dangerous in the hands of untrained users.
- e) **Maintain power tools. Check for misalignment or binding of moving parts, breakage of parts and any other condition that may affect the power tool's operation. If damaged, have the power tool repaired before use.** Many accidents are caused by poorly maintained power tools.
- f) **Keep cutting tools sharp and clean.** Properly maintained cutting tools with sharp cutting edges are less likely to bind and are easier to control.
- g) **Use the power tool, accessories and tool bits etc. in accordance with these instructions taking into account the working conditions and the work to be performed.** Use of the power tool for operations different from those intended could result in a hazardous situation.

5.1.5 Service

- a) **Have your power tool serviced by a qualified repair person using only identical replacement parts.** This will ensure that the safety of the power tool is maintained.

5.2 Cut-off machine safety warnings

- a) **The guard provided with the tool must be securely attached to the power tool and positioned for maximum safety, so the least amount of wheel is exposed towards the operator. Position yourself and bystanders away from the plane of the rotating wheel.** The guard helps to protect operator from broken wheel fragments and accidental contact with wheel.
- b) **Use only bonded reinforced or diamond cut-off wheels for your power tool.** Just because an accessory can be attached to your power tool, it does not assure safe operation.
- c) **The rated speed of the accessory must be at least equal to the maximum speed marked on the power tool.** Accessories running faster than their rated speed can break and fly apart.
- d) **Wheels must be used only for recommended applications. For example: do not grind with the side of cut-off wheel.** Abrasive cut-off wheels are intended for peripheral grinding, side forces applied to these wheels may cause them to shatter.
- e) **Always use undamaged wheel flanges that are of correct diameter for your selected wheel.** Proper wheel flanges support the wheel thus reducing the possibility of wheel breakage.
- f) **Do not use worn down reinforced wheels from larger power tools.** Wheels intended for a larger power tool are not suitable for the higher speed of a smaller tool and may burst.
- g) **The outside diameter and the thickness of your accessory must be within the capacity rating of your power tool.** Incorrectly sized accessories cannot be adequately guarded or controlled.
- h) **The arbour size of wheels and flanges must properly fit the spindle of the power tool.** Wheels and flanges with arbour holes that do not match the mounting hardware of the power tool will run out of balance, vibrate excessively and may cause loss of control.
- i) **Do not use damaged wheels. Before each use, inspect the wheels for chips and cracks. If power tool or wheel is dropped, inspect for damage or install an undamaged wheel. After inspecting and installing the wheel, position yourself and bystanders away from the plane of the rotating wheel and run the power tool at maximum no load speed for one minute.** Damaged wheels will normally break apart during this test time.
- j) **Wear personal protective equipment. Depending on application, use face shield, safety goggles or safety glasses. As appropriate, wear dust mask, hearing protectors, gloves and shop apron capable of stopping small abrasive or workpiece fragments.** The eye protection must be capable of stopping flying debris generated by various operations. The dust mask or respirator must be capable of filtering particles generated by your operation. Prolonged exposure to high intensity noise may cause hearing loss.

- k) **Keep bystanders a safe distance away from work area. Anyone entering the work area must wear personal protective equipment.** Fragments of workpiece or of a broken wheel may fly away and cause injury beyond immediate area of operation.
- l) **Hold the power tool by insulated gripping surfaces only, when performing an operation where the cutting accessory may contact hidden wiring or its own cord.** Cutting accessory contacting a "live" wire may make exposed metal parts of the power tool "live" and could give the operator an electric shock.
- m) **Position the cord clear of the spinning accessory.** If you lose control, the cord may be cut or snagged and your hand or arm may be pulled into the spinning wheel.
- n) **Never lay the power tool down until the accessory has come to a complete stop.** The spinning wheel may grab the surface and pull the power tool out of your control.
- o) **Do not run the power tool while carrying it at your side.** Accidental contact with the spinning accessory could snag your clothing, pulling the accessory into your body.
- p) **Regularly clean the power tool's air vents.** The motor's fan will draw the dust inside the housing and excessive accumulation of powdered metal may cause electrical hazards.
- q) **Do not operate the power tool near flammable materials.** Sparks could ignite these materials.
- r) **Do not use accessories that require liquid coolants.** Using water or other liquid coolants may result in electrocution or shock.

5.3 Kickback and related warnings

Kickback is a sudden reaction to a pinched or snagged rotating wheel. Pinching or snagging causes rapid stalling of the rotating wheel which in turn causes the uncontrolled power tool to be forced in the direction opposite of the wheel's rotation at the point of the binding.

For example, if an abrasive wheel is snagged or pinched by the workpiece, the edge of the wheel that is entering into the pinch point can dig into the surface of the material causing the wheel to climb out or kick out. The wheel may either jump toward or away from the operator, depending on direction of the wheel's movement at the point of pinching. Abrasive wheels may also break under these conditions.

Kickback is the result of power tool misuse and/or incorrect operating procedures or conditions and can be avoided by taking proper precautions as given below.

- a) **Maintain a firm grip on the power tool and position your body and arm to allow you to resist kickback forces. Always use auxiliary handle, if provided, for maximum control over kickback or torque reaction during start-up.** The operator can control torque reactions or kickback forces, if proper precautions are taken.
- b) **Never place your hand near the rotating accessory.** Accessory may kickback over your hand.
- c) **Do not position your body in line with the rotating wheel.** Kickback will propel the tool in direction

opposite to the wheel's movement at the point of snagging.

- d) **Use special care when working corners, sharp edges etc. Avoid bouncing and snagging the accessory.** Corners, sharp edges or bouncing have a tendency to snag the rotating accessory and cause loss of control or kickback.
- e) **Do not attach a saw chain woodcarving blade, segmented diamond wheel with a peripheral gap greater than 10 mm or toothed saw blade.** Such blades create frequent kickback and loss of control.
- f) **Do not "jam" the wheel or apply excessive pressure. Do not attempt to make an excessive depth of cut.** Overstressing the wheel increases the loading and susceptibility to twisting or binding of the wheel in the cut and the possibility of kickback or wheel breakage.
- g) **When wheel is binding or when interrupting a cut for any reason, switch off the power tool and hold the power tool motionless until the wheel comes to a complete stop. Never attempt to remove the wheel from the cut while the wheel is in motion otherwise kickback may occur.** Investigate and take corrective action to eliminate the cause of wheel binding.
- h) **Do not restart the cutting operation in the workpiece. Let the wheel reach full speed and carefully re-enter the cut.** The wheel may bind, walk up or kickback if the power tool is restarted in the workpiece.
- i) **Support panels or any oversized workpiece to minimize the risk of wheel pinching and kickback.** Large workpieces tend to sag under their own weight. Supports must be placed under the workpiece near the line of cut and near the edge of the workpiece on both sides of the wheel.
- j) **Use extra caution when making a "pocket cut" into existing walls or other blind areas.** The protruding wheel may cut gas or water pipes, electrical wiring or objects that can cause kickback.

5.4 Additional safety rules

5.4.1 Personal safety

- a) **Use only wheel types that are recommended for your power tool and the specific guard designed for the selected wheel.** Wheels for which the power tool was not designed cannot be adequately guarded and are unsafe.
- b) **During hand-held use, always hold the machine securely with both hands on the grips provided. Keep the grips dry, clean and free from oil and grease.**
- c) **Hold power tools by insulated gripping surfaces when performing an operation where the cutting tool may contact hidden wiring or its own cord.** Contact with a live wire will make exposed metal parts of the power tool live and the operator will be at risk of receiving an electric shock.
- d) **Breathing protection must be worn if the power tool is used without a dust extraction system for**

work that creates dust. Close the cap over the dust removal connector.

- e) Improve the blood circulation in your fingers by relaxing your hands and exercising your fingers during breaks between working.
- f) Avoid touching rotating parts. Switch the power tool on only after bringing it into position at the workpiece. Touching rotating parts, especially rotating drill bits, discs or blades, etc. may lead to injury.
- g) Always lead the supply cord and extension cord away from the power tool to the rear while working. This helps to avoid tripping over the cord while working.
- h) The guard must always be fitted when the power tool is used for cutting metals. Close the cap over the dust removal connector.
- i) If the work involves breaking right through, take the appropriate safety measures at the opposite side. Parts breaking away could fall out and / or fall down and injure other persons.
- j) Children must be instructed not to play with the machine.
- k) The machine is not intended for use by children, by debilitated persons or those who have received no instruction or training.
- l) Do not use the power tool if it starts with a jolt. This may be an indication that the electronic control unit is defective. Have the power tool repaired by Hilti Service immediately.
- m) **WARNING: Some dust created by grinding, sanding, cutting and drilling contains chemicals known to cause cancer, birth defects, infertility or other reproductive harm; or serious and permanent respiratory or other injury.** Some examples of these chemicals are: lead from lead-based paints, crystalline silica from bricks, concrete and other masonry products and natural stone, arsenic and chromium from chemically-treated lumber. Your risk from these exposures varies, depending on how often you do this type of work. To reduce exposure to these chemicals, the operator and bystanders should work in a well-ventilated area, work with approved safety equipment, such as respiratory protection appropriate for the type of dust generated, and designed to filter out microscopic particles and direct dust away from the face and body. Avoid prolonged contact with dust. Wear protective clothing and wash exposed areas with soap and water. Allowing dust to get into your mouth, nose, eyes, or to remain on your skin may promote absorption of harmful chemicals.

5.4.2 Power tool use and care

- a) Cutting discs must be stored, handled and fitted carefully in accordance with the manufacturer's instructions.
- b) If use of a spacer ring or other intermediate part is specified and the part is supplied with the cutting disc, check to ensure that the part is fitted.
- c) Secure the workpiece. Use clamps or a vice to secure the workpiece. The workpiece is thus held

more securely than by hand and both hands remain free to operate the machine.

- d) Before use, check that the cutting disc has been fitted correctly and the clamping nut tightened. Then allow the power tool to run for 30 seconds under no load while holding it in a secure position. Switch off the power tool immediately if significant vibration or any other faults are noticed. Should this occur, check the entire system in order to determine the cause.
- e) Take steps to ensure that flying sparks from the power tool do not present a hazard, i.e. by striking yourself or other persons. Adjust the position of the disc guard accordingly.
- f) Slits cut in loadbearing walls of buildings or other structures may influence the statics of the structure, especially when steel reinforcing bars or load-bearing components are cut through. Consult the structural engineer, architect, or person in charge of the building project before beginning the work.
- g) Guide the power tool carefully and make straight cuts in order to avoid jamming the cutting disc. Cutting curves is not permissible.
- h) Guide the power tool evenly and do not apply lateral pressure to the cutting disc. Always bring the power tool into contact with the workpiece at right angles. Do not attempt to alter the line of cut by applying lateral pressure or by bending the cutting disc while cutting is in progress. This presents a risk of damaging or breaking the cutting disc.

5.4.3 Electrical safety



- a) Before beginning work, check the working area (e.g. using a metal detector) to ensure that no concealed electric cables or gas and water pipes are present. External metal parts of the machine may become live, for example, when an electric cable is damaged accidentally. This presents a serious risk of electric shock.
- b) Check the machine's supply cord at regular intervals and have it replaced by a qualified specialist if found to be damaged. If the machine's supply cord is damaged it must be replaced with a specially-prepared supply cord available from Hilti Customer Service. Check extension cords at regular intervals and replace them if found to be damaged. Do not touch the supply cord or extension cord if damaged while working. Disconnect the supply cord plug from the power outlet. Damaged supply cords or extension cords present a risk of electric shock.
- c) Dirty or dusty machines which have been used frequently for work on conductive materials should be checked at regular intervals at a Hilti Service Center. Under unfavorable circumstances, dampness or dust adhering to the surface of the ma-

chine, especially dust from conductive materials, may present a risk of electric shock.

- d) **When working outdoors with a power tool check to ensure that the tool is connected to the electric supply by way of a ground fault circuit interrupter (GFCI) with a rating of max. 30 mA (tripping current).** Use of a ground fault circuit interrupter reduces the risk of electric shock.
- e) **Use of a ground fault circuit interrupter (GFCI) with a maximum tripping current of 30 mA is recommended.**

5.4.4 Work area

Ensure that the workplace is well ventilated. Exposure to dust at a poorly ventilated workplace may result in damage to the health.

5.4.5 Personal protective equipment



The user and any other persons in the vicinity must wear ANSI Z87.1-approved eye protection, a hard hat, ear protection, protective gloves and breathing protection while the machine is in use.

en

6 Before use



WARNING

The supply cord must be disconnected from the electric supply and the cutting disc or drive spindle must have come to a complete stop before attempting to change or adjust discs, parts of the tool or its accessories.

CAUTION

The mains voltage must comply with the specification given on the type identification plate. Ensure that the power tool is disconnected from the electric supply.

CAUTION

Wear protective gloves, especially when changing discs, adjusting the guard (hood) and when fitting the hood extension with depth gauge.

6.1 Guard (hood)

WARNING

Never use the power tool without the guard (hood).

NOTE

If the guard (hood) clamping force is found to be inadequate, this can be increased by tightening the clamping screw slightly.

6.1.1 Fitting and adjusting the guard (hood) 5

1. Disconnect the supply cord plug from the power outlet.
2. Use the hex. socket wrench to release the clamping screw.
3. Fit the guard (hood) onto the collar on the gearing section.
4. Rotate the guard (hood) into the desired position.
5. Use the hex. socket wrench to tighten the clamping screw.

6.1.2 Removing the guard (hood)

1. Disconnect the supply cord plug from the power outlet.
2. Use the hex. socket wrench to release the clamping screw.
3. Rotate the guard (hood) and pull it away from the tool.

6.2 Depth gauge (optional)

DANGER

The hood extension with depth gauge is to be used exclusively for cutting mineral materials with diamond discs.

6.2.1 Fitting / removing the hood extension with depth gauge 4

1. Disconnect the supply cord plug from the power outlet.
2. Fit the hook over the guide wheel axle.
3. Pivot the hood extension into the hood until the catch is heard to engage.
4. To remove the hood extension, press the catch and pivot the hood extension down and away from the hood.

6.2.2 Using the depth gauge to adjust cutting depth

1. Press the cutting depth sliding indicator.
2. Move the cutting depth sliding indicator to the desired cutting depth.

6.3 Fitting a cutting disc

DANGER

Use only the metric-size clamping flange and the wrench supplied with the power tool.

CAUTION

Use only cutting tools with a rated maximum permissible speed which is at least as high as the machine's highest no-load running speed.

CAUTION

Cutting discs which are damaged or out of round (causing vibration) must not be used.

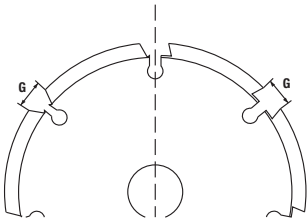
CAUTION

Do not use synthetic resin-bonded fiber-reinforced cutting discs that have exceeded their use-by date.

NOTE

Diamond cutting discs in compliance with the requirements of ANSI B7.1 are to be used with the power tool. Synthetic resin-bonded fiber-reinforced cutting discs in compliance with ANSI B7.1 (cutting-off wheels of the straight, not offset type) may also be used with this power tool for working on metals. In this case, the appropriate DCH 300 ABR disc mount (see accessories) must be used with the power tool. The mounting instructions issued by the disc manufacturer must also be observed.

6.3.1 Fitting diamond cutting discs



The width of the slot G between the segments must not exceed 10 mm ($\frac{3}{8}$ "'). The thickness of the disc must not exceed 3.5 mm ($\frac{1}{8}$ "').

The 60 mm dia. interchangeable flange can be used on one side for cutting discs with an inner diameter of 22.2 mm ($\frac{7}{8}$ "') or, on the other side, with cutting discs with an inner diameter of 25.4 mm (1"'). Check which side of the flange fits the arbor hole in the cutting disc. The flange must center the disc.

1. Disconnect the supply cord plug from the power outlet.
2. Clean the clamping flange and the clamping nut.
3. Fit the 60 mm diameter reversible flange onto the spindle the right way round, so that it is no longer free to rotate.
4. Place the diamond cutting disc on the reversible flange.
5. Fit the 60 mm diameter clamping flange and the clamping nut.

6. **CAUTION Do not press the spindle lockbutton before the drive spindle has stopped rotating.** Press the spindle lockbutton and hold it in this position.
7. Use the wrench to tighten the clamping nut securely and then release the spindle lockbutton.
8. Check to ensure that the spindle lockbutton has disengaged.

6.3.2 Fitting synthetic resin-bonded fiber-reinforced abrasive cutting discs (optional)

CAUTION

Never use flanges with a diameter of less than 80 mm with synthetic resin-bonded fiber-reinforced cutting discs.

The 80 mm dia. interchangeable flange can be used on one side for cutting discs with an inner diameter of 22.2 mm ($\frac{7}{8}$ "') or, on the other side, with cutting discs with an inner diameter of 25.4 mm (1"'). Check which side of the flange fits the arbor hole in the cutting disc. The flange must center the disc.

1. Disconnect the supply cord plug from the power outlet.
2. Clean the clamping flange and the clamping nut.
3. Fit the 80 mm diameter reversible flange onto the spindle the right way round, so that it is no longer free to rotate.
4. Place the diamond cutting disc on the reversible flange.
5. Fit the 80 mm diameter clamping flange and the clamping nut.
6. **CAUTION Do not press the spindle lockbutton before the drive spindle has stopped rotating.** Press the spindle lockbutton and hold it in this position.
7. Use the wrench to tighten the clamping nut securely and then release the spindle lockbutton.
8. Check to ensure that the spindle lockbutton has disengaged.

6.4 Removing the cutting disc from the tool

To remove the cutting disc from the tool, follow the instructions for fitting the disc but carry out the steps in the reverse order.

6.5 Storing and transporting cutting discs

CAUTION

Remove the cutting disc from the power tool after use. The cutting disc may suffer damage if the power tool is transported with the disc fitted.

CAUTION

Store the cutting disc in accordance with the manufacturer's recommendations. Incorrect or careless storage may damage the cutting disc.

7 Operation



DANGER

Do not use the power tool by insulated gripping surfaces only, when performing an operation where the cutting accessory may contact hidden wiring or its own cord. Cutting accessory contacting a "live" wire may make exposed metal parts of the power tool "live" and could give the operator an electric shock.

WARNING

Do not use the power tool if it starts with a jolt. This may be an indication that the electronic control unit is defective. Have the power tool repaired by Hilti Service immediately.

CAUTION

The power tool and the cutting operation generate noise. **Wear ear protectors.** Exposure to noise can cause hearing loss.

CAUTION

The cutting operation may cause dangerous splinters. Splintering material presents a risk of injury to the eyes and body. **Wear eye protection and a hard hat.**

CAUTION

The direction of advance is important. The power tool must always be advanced with the guide wheels ahead and in contact with the material being cut. There is otherwise a risk of kick-back.

WARNING

The electric supply voltage must comply with the information given on the type identification plate on the power tool.

CAUTION

The cutting disc and parts of the power tool may get hot through use. There is a risk of burning your hands. **Wear protective gloves. Touch the power tool only at the grips provided.**

CAUTION

Use clamps or a vice to hold the workpiece securely.

WARNING

Slits cut in loadbearing walls of buildings or other structures may influence the statics of the structure, especially when steel reinforcing bars or load-bearing components are cut through. **Consult the structural engineer, ar-**

chitect, or person in charge of the building project before beginning the work.

7.1 Working with the power tool

Take care to ensure that the closed side of the guard is always positioned toward the operator's body. Adjust the position of the guard (hood) to suit each cutting application.

7.2 TPS theft protection system (optional)

NOTE

The power tool may be equipped with the optional theft protection system. If the power tool is equipped with this feature, it can be unlocked and made ready for operation only with the corresponding TPS key.

7.2.1 Unlocking the power tool

1. Plug the supply cord into the power outlet. The yellow theft protection indicator LED blinks. The power tool is then ready to receive the signal from the TPS key.
 2. Hold the TPS key against the lock symbol. The power tool is unlocked as soon as the yellow theft protection indicator LED no longer lights.
- NOTE** If, for example, the electric supply is briefly interrupted due to a power failure or disconnected when moving to a different workplace, the power tool remains ready for operation for approx. 20 minutes. In the event of a longer interruption, the TPS key must be used again to unlock the power tool.

7.2.2 Activation of the tool's theft protection system

NOTE

Further detailed information on activation and use of the theft protection system can be found in the operating instructions for the theft protection system.

7.3 Switching on

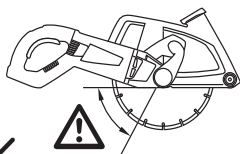
1. Plug the supply cord into the power outlet.
2. Always hold the tool securely with both hands on the grips provided.
3. Unlock the on / off switch by pressing the switch-on interlock release button.
4. Press the on / off switch.
5. Reposition your thumb around the rear grip.

7.4 Switching off

Release the on / off switch.

The tool stops after the on / off switch is released. The switch-on interlock is re-activated.

7.5 Working with cutting discs



DANGER

To reduce the risk of kick-back, avoid bringing the cutting tool into contact with the material in the area indicated.

DANGER

Wherever possible, bring the wheels into contact with the workpiece before starting the cut. Take extra care in situations where this is not possible or where the cutting disc is inserted in an existing cut.

1. When cutting mineral materials, first bring the tool's guide wheels into contact with the object to be cut.
2. Allow the power tool to reach full speed.

3. Apply pressure to the power tool so that the cutting disc is pressed into the material slowly. This ensures that particles and sparks generated by the cutting operation are caught by the hood and extracted by the dust removal system.

NOTE Apply moderate pressure, adjusting the rate of advance to suit the material being cut.

NOTE The diamond disc may overheat and suffer damage when cutting very hard mineral materials, e.g. concrete with a high hard pebble content. A trail of sparks right round the circumference of the diamond cutting disc is a sure indication of this. Should this occur, stop cutting and cool the disc by allowing the tool to run under no load.

A drop in the rate of cutting progress can be an indication of "blunt" (polished) diamond segments. The segments can be resharpened by making a few cuts in an abrasive material (Hilti sharpening plate or sand-lime block).

7.6 Using a suitable vacuum cleaner for working on mineral materials

NOTE

Please read the operating instructions for the vacuum cleaner for information about disposal of the material collected.

Dust can be kept to a minimum when working by using a suitable vacuum cleaner (such as the Hilti VCD 50). Use of a vacuum cleaner also helps to cool the segments on the disc and thus reduces segment wear. In order to avoid electrostatic effects, a vacuum cleaner equipped with an antistatic hose should be used.

8 Care and maintenance

CAUTION

Disconnect the supply cord plug from the power outlet.

8.1 Care of the power tool

DANGER

When working on metal under extreme conditions, conductive dust may accumulate inside the power tool. This may negatively affect the power tool's protective insulation. **Under such conditions, the tool should be plugged into a ground fault circuit interrupter (GFCI) and use of a stationary dust removal system and**

frequent cleaning of the tool's cooling air slots is recommended.

The outer casing of the motor and the grips are made from impact-resistant plastic. Parts of the grips have a synthetic rubber covering.

Never operate the power tool when the ventilation slots are blocked. Clean the ventilation slots carefully using a dry brush. Do not permit foreign objects to enter the interior of the power tool. Clean the outside of the power tool at regular intervals with a slightly damp cloth. Do not use a spray, steam pressure cleaning equipment or running water for cleaning. This may negatively affect the electrical safety of the power tool. Always keep the grip surfaces of the power tool free from oil and grease. Do not use cleaning agents which contain silicone.

8.2 Service indicator

NOTE

The power tool is equipped with a service indicator.

LED indicators	Constant red light	End of service interval - servicing is due. After the lamp lights for the first time, the power tool may continue to be used for several hours (switched-on running time) before the automatic cut-out is activated. To ensure that the power tool is always ready for use, it should be returned to Hilti for servicing in good time.
	Blinking red light	See section "Troubleshooting".

8.3 Maintenance

WARNING
Repairs to the electrical section of the machine may be carried out only by trained electrical specialists.

Check all external parts of the power tool for damage at regular intervals and check that all controls operate faultlessly. Do not operate the power tool if parts are

damaged or when the controls do not function faultlessly. If necessary, the power tool should be repaired by Hilti Service.

8.4 Checking the power tool after care and maintenance

After carrying out care and maintenance, check that all protective and safety devices are fitted and that they function faultlessly.

9 Troubleshooting

Fault	Possible cause	Remedy
The power tool doesn't start.	Interruption in the electric supply.	Plug in another electric appliance and check whether it works.
	The supply cord or plug is defective.	Have checked by a trained electrical specialist and replaced if necessary.
	The power tool has not been unlocked (tools with optional theft protection system).	Use the TPS key to unlock the power tool.
	The on / off switch is defective.	If necessary, the power tool should be repaired by Hilti Service.
	The power tool has been overloaded (application limits exceeded).	Use the right power tool for the job (don't use a low-powered tool for heavy work).
	The overheating protection system is active.	Allow the power tool to cool down. Clean the ventilation slots.
	Other electrical fault.	Have it checked by a trained electrical specialist.
	The electronic restart interlock is activated after an interruption in the electric supply.	Switch the power tool off and on again.
The power tool doesn't achieve full power.	The extension cord's conductor cross section is inadequate.	Use an extension cord with an adequate conductor cross section. (Please refer to "Before use".)
The power tool doesn't start and the service indicator blinks red.	A fault has occurred in the power tool.	If necessary, the power tool should be repaired by Hilti Service.
The power tool doesn't start and the service indicator lights red.	The carbon brushes are worn.	Have checked by a trained electrical specialist and replaced if necessary.
The power tool doesn't start and the theft protection system indicator blinks yellow.	The power tool has not been unlocked (tools with optional theft protection system).	Use the TPS key to unlock the power tool.

10 Disposal



en

Most of the materials from which Hilti machines or appliances are manufactured can be recycled. The materials must be correctly separated before they can be recycled. In many countries, Hilti has already made arrangements for taking back old machines and appliances for recycling. Ask Hilti customer service or your Hilti representative for further information.

11 Manufacturer's warranty

Hilti warrants that the tool supplied is free of defects in material and workmanship. This warranty is valid so long as the tool is operated and handled correctly, cleaned and serviced properly and in accordance with the Hilti Operating Instructions, and the technical system is maintained. This means that only original Hilti consumables, components and spare parts may be used in the tool.

This warranty provides the free-of-charge repair or replacement of defective parts only over the entire lifespan of the tool. Parts requiring repair or replacement as a result of normal wear and tear are not covered by this warranty.

Additional claims are excluded, unless stringent national rules prohibit such exclusion. In particular, Hilti is not obligated for direct, indirect, incidental or consequential damages, losses or expenses in connection with, or by reason of, the use of, or inability to use the tool for any purpose. Implied warranties of merchantability or fitness for a particular purpose are specifically excluded.

For repair or replacement, send the tool or related parts immediately upon discovery of the defect to the address of the local Hilti marketing organization provided.

This constitutes Hilti's entire obligation with regard to warranty and supersedes all prior or contemporaneous comments and oral or written agreements concerning warranties.

DCH 300 Tronçonneuse à disque diamanté

Avant de mettre l'appareil en marche, lire impérativement son mode d'emploi et bien respecter les consignes.

Le présent mode d'emploi doit toujours accompagner l'appareil.

Ne pas prêter ou céder l'appareil à un autre utilisateur sans lui fournir le mode d'emploi.

Sommaire	Page
1 Consignes générales	15
2 Description	16
3 Accessoires, consommables	18
4 Caractéristiques techniques	19
5 Consignes de sécurité	19
6 Mise en service	24
7 Utilisation	26
8 Nettoyage et entretien	27
9 Guide de dépannage	28
10 Recyclage	29
11 Garantie constructeur des appareils	29

1 Les chiffres renvoient aux illustrations se trouvant sur les pages rabattables. Pour lire le mode d'emploi, rabattre ces pages de manière à voir les illustrations. Dans le présent mode d'emploi, « l'appareil » désigne toujours la tronçonneuse à disque diamanté DCH 300.

Organes de commande et éléments d'affichage **1**

- ① Bouton de blocage de la broche
- ② Poignée avant
- ③ Interrupteur Marche / Arrêt

- ④ Dispositif de blocage de l'interrupteur
- ⑤ Disque à tronçonner diamanté
- ⑥ Broche
- ⑦ Carter de protection
- ⑧ Guide-lame à rouleaux
- ⑨ Clé de serrage SW 24/ SW 10
- ⑩ Clé pour vis à tête 6 pans creux SW 6
- ⑪ Vis de serrage pour carter de protection
- ⑫ Couvercle du tuyau d'aspiration de poussière
- ⑬ Indicateur de maintenance
- ⑭ Indicateur de protection contre le vol (en option)

Système d'emmanchement DCH 300 pour disques à tronçonner diamantés **2**

- ⑮ Flasque de recharge Ø 60 mm
- ⑯ Flasque de serrage Ø 60 mm
- ⑰ Écrou de serrage M16 x 1,5

Système d'emmanchement DCH 300 pour disques à tronçonner renforcés aux fibres et liés à la résine (en option) **3**

- ⑱ Flasque de recharge Ø 80 mm
- ⑲ Disques à tronçonner renforcés aux fibres et liés à la résine Ø300 mm (12")
- ⑳ Flasque de serrage Ø 80 mm
- ㉑ Écrou de serrage M16 x 1,5

Butée de profondeur (en option) **4**

- ㉒ Carter pivotant
- ㉓ Crochet
- ㉔ Taquet
- ㉕ Curseur de réglage de la profondeur de coupe
- ㉖ Échelle de profondeur de coupe

1 Consignes générales

1.1 Termes signalant un danger

DANGER

Pour un danger imminent qui peut entraîner de graves blessures corporelles ou la mort.

AVERTISSEMENT

Pour attirer l'attention sur une situation pouvant présenter des dangers susceptibles d'entraîner des blessures corporelles graves ou la mort.

ATTENTION

Pour attirer l'attention sur une situation pouvant présenter des dangers susceptibles d'entraîner des blessures corporelles légères ou des dégâts matériels.

REMARQUE

Pour des conseils d'utilisation et autres informations utiles.

1.2 Explication des pictogrammes et autres symboles d'avertissement

Symboles d'avertissement



Avertissement danger général



Avertissement tension électrique dangereuse

Symboles d'obligation



Porter un casque de protection



Porter des lunettes de protection



Porter un casque antibruit



Porter des gants de protection



Porter des chaussures de protection



Porter un masque respiratoire léger

Symboles



Lire le mode d'emploi avant d'utiliser l'appareil



Recycler les déchets

A

Ampère

V

Volt



Courant alternatif

/min

Tours par minute

RPM

Tours par minute



Diamètre

n

Vitesse de rotation de référence



Double isolation

Emplacement des détails d'identification sur l'appareil

La désignation du modèle et le numéro de série se trouvent sur la plaque signalétique de l'appareil. Inscrive ces renseignements dans le mode d'emploi et toujours s'y référer pour communiquer avec notre représentant ou agence Hilti.

Type :

N° de série :

2 Description

2.1 Utilisation conforme à l'usage prévu

La DCH 300 est une tronçonneuse à disque diamanté électroportative destinée à une utilisation professionnelle dans la construction.

L'appareil convient pour le tronçonnage de matériaux d'origine minérale à l'aide de disques à tronçonner diamantés sans utilisation d'eau.

Pour le tronçonnage de matériaux d'origine minérale, il est indispensable d'utiliser un système d'aspiration des poussières muni d'un filtre approprié (par exemple : aspirateur Hilti VCD 50).

Pour supprimer les effets électrostatiques, utiliser un système d'aspiration muni d'un tuyau d'aspiration antistatique.

Utiliser uniquement des disques à tronçonner diamantés présentant une vitesse périphérique admissible de 80 m/s au moins (16000 ft/min).

L'appareil doit exclusivement être utilisé en poussant (sens contraire du sens de la marche).

Tout travail avec des liquides, par exemple pour refroidir les disques ou éliminer les poussières, est interdit.

Ne pas utiliser l'appareil pour des applications de tronçonnage avec des outils non appropriés (par ex. lames de scie circulaire), ou d'ébarbage ou meulage.

En option, l'appareil peut aussi être utilisé pour le tronçonnage de matériaux supports métalliques avec des disques à tronçonner renforcés aux fibres et liés à la résine. Pour ce faire, utiliser uniquement des disques à tronçonner renforcés aux fibres et liés à la résine présentant une vitesse périphérique admissible de 80 m/s au moins (16000 ft/min).

L'environnement de travail peut être : chantiers, ateliers, sites de rénovation, sites de constructions nouvelles ou de constructions en cours de réaménagement.

Pour éviter tout risque de blessure, utiliser uniquement les accessoires et outils Hilti d'origine.

Respecter également les instructions de sécurité et d'utilisation de l'accessoire utilisé.

Bien respecter les consignes concernant l'utilisation, le nettoyage et l'entretien de l'appareil qui figurent dans le présent mode d'emploi.

L'appareil est destiné aux utilisateurs professionnels et ne doit être utilisé, entretenu et réparé que par un personnel agréé, formé à cet effet. Ce personnel doit être au courant des dangers inhérents à l'utilisation de l'appareil. L'appareil et ses accessoires peuvent s'avérer dangereux s'ils sont utilisés de manière incorrecte par un personnel non qualifié ou de manière non conforme à l'usage prévu.

L'appareil doit uniquement être utilisé dans un environnement sec.

L'appareil ne doit fonctionner qu'avec la tension réseau et la fréquence réseau indiquées sur la plaque signalétique.

Ne pas utiliser l'appareil dans des endroits présentant un danger d'incendie ou d'explosion.

Ne pas travailler sur des matériaux susceptibles de nuire à la santé (par ex. amiante).

Toute manipulation ou modification de l'appareil est interdite.

2.2 Interrupteur

Interrupteur Marche / Arrêt avec dispositif de blocage

2.3 Régulateur électronique de limitation du courant de démarrage

Le courant de démarrage de l'appareil est un multiple du courant nominal. Du fait du régulateur électronique, le courant de démarrage est réduit de manière à éviter que le fusible du secteur ne réagisse. Ceci permet d'assurer que l'appareil démarre sans à-coups.

2.4 Blocage contre toute mise en marche intempestive

Après une éventuelle coupure de courant, l'appareil ne se remet pas automatiquement en marche. Relâcher d'abord l'interrupteur puis l'actionner à nouveau après 1 seconde environ.

2.5 Protection contre le vol TPS (en option)

L'appareil peut, en option, être équipé de la fonction "Protection contre le vol TPS". Si l'appareil est équipé avec cette fonction, il peut uniquement être débloqué et activé à l'aide de la clé de déblocage fournie.

2.6 Affichage avec témoin lumineux

Indicateur de maintenance avec témoin lumineux (voir chapitre "Nettoyage et entretien")

Affichage de protection contre le vol (disponible en option) (voir chapitre "Utilisation").

2.7 Carter de protection avec guide-lame à rouleaux

Les travaux de tronçonnage et de rainurage sur la pierre ne doivent être effectués qu'avec un carter dépoussiéreur pourvu d'un guide-lame à rouleaux.

2.8 Protection électronique contre les surcharges

L'appareil est équipé d'un système de protection électronique contre les surcharges.

La protection électronique contre les surcharges surveille l'intensité absorbée et protège ainsi l'appareil contre les surcharges lors de son utilisation.

En cas de surcharge du moteur sous l'effet d'une force de pression trop élevée et par conséquent d'une intensité du courant absorbé trop élevée, l'appareil s'arrête.

Après déblocage de l'interrupteur Marche / Arrêt, le travail peut reprendre.

En réduisant la force de pression, l'utilisateur peut éviter l'arrêt du moteur.

Un processus de travail continu sans arrêt est recommandé.

2.9 Utilisation de câbles de rallonge

Utiliser uniquement des câbles de rallonge homologués pour le champ d'action correspondant et de section suffisante, afin d'éviter toute perte de puissance de l'appareil et toute surchauffe du câble. Contrôler régulièrement si le câble de rallonge n'est pas endommagé. Remplacer les câbles de rallonge endommagés.

Sections minimales recommandées et longueurs de câble maximales

Section du conducteur	14 AWG	12 AWG
Tension du secteur 110-120 V	-	125 ft

Ne pas utiliser de câble de rallonge d'une section de conducteur de 16 AWG.

2.10 Câble de rallonge à l'extérieur

À l'extérieur, n'utiliser que des câbles de rallonge homologués avec le marquage correspondant.

2.11 Utilisation d'un générateur ou d'un transformateur

Cet appareil peut être alimenté par un générateur ou un transformateur (non fourni), si les conditions suivantes sont respectées : une puissance d'alimentation en watts au moins égale au double de la puissance indiquée sur la plaque signalétique de l'appareil, la tension de service doit être toujours comprise entre +5 % et -15 % par rapport à la tension nominale, la fréquence doit être comprise entre 50 et 60 Hz sans jamais dépasser 65 Hz, et enfin, un régulateur de tension automatique avec système d'amplification au démarrage doit être présent.

Ne jamais utiliser simultanément d'autres appareils avec le générateur/ transformateur ou utiliser un générateur/ transformateur prévu pour être utilisé avec un tel appareil ou système d'aspiration. La mise en marche ou à l'arrêt d'autres appareils peut entraîner des pointes de sous-tension et / ou de surtension pouvant endommager l'appareil.

2.12 Butée de profondeur (en option)

L'appareil peut en outre être équipé d'une butée de profondeur. Celle-ci permet d'améliorer l'aspiration de la poussière dans le cas d'applications de tronçonnage sur des matériaux d'origine minérale. La profondeur de coupe maximale peut être réglée sur la butée de profondeur à l'aide de l'échelle de profondeur de coupe.

2.13 La livraison de l'équipement standard comprend :

- 1 Appareil avec carter DCH-EX 300
- 1 Flasque de recharge \varnothing 60 mm
- 1 Flasque de serrage \varnothing 60 mm
- 1 Écrou de serrage M16 x 1,5
- 1 Clé de serrage SW 24/ SW 10
- 1 Clé pour vis à tête 6 pans creux SW 6
- 1 Emballage en carton
- 1 Mode d'emploi

2.14 Spécifications des disques à tronçonner

Avec cet appareil, utiliser des disques à tronçonner diamantés conformes aux directives ANSI B7.1.

Avec cet appareil, il est également possible d'utiliser des disques à tronçonner renforcés aux fibres et liés à la résine conformes à ANSI B7.1 (forme droite, non coudée, Typ cutting-off wheel), pour travailler sur des matériaux supports métalliques. Utiliser pour ce faire le porte-outil approprié DCH 300 ABR (voir accessoires) correspondant à cette machine.

Respecter également les instructions de montage du fabricant de disques à tronçonner.

3 Accessoires, consommables

Désignation	Code article, Description
Porte-outil DCH 300 ABR	212259, Flasque de recharge \varnothing 80 mm, flasque de serrage \varnothing 80 mm, écrou de serrage M16 x 1,5
Butée de profondeur pour DCH 300	212131
Système d'aspiration de poussières issu de la gamme de produits Hilti	
Flexible complet, antistatique	203867, Longueur 5 m (16,4 ft), \varnothing 36
Coffret Hilti	47986

DCH 300

Type de disque	Spécifications	Matériau support
Disque à tronçonner diamanté	DCH-D 12" C1	Béton

Type de disque	Spécifications	Matériau support
Disque à tronçonner diamanté	DCH-D 12" C2	Béton dur
Disque à tronçonner diamanté	DCH-D 12" M1	Maçonnerie, grès argilo-calcaire
Disque à tronçonner diamanté	DCH-D 12" C10	Béton Economy Line
Disque à tronçonner diamanté	DCH-D 12" M10	Maçonnerie Economy Line

4 Caractéristiques techniques

Sous réserve de modifications techniques !

Informations concernant les appareils et les applications	DCH 300
Tension nominale	120 V
Courant nominal	20 A
Fréquence réseau	60 Hz
Dimensions (L x l x h)	705 mm (27,76 ") x 240 mm (9,45 ") x 235 mm (9,25 ")
Filetage de la broche d'entraînement	M 16 X 1,5
Disque à trou central	25,4 mm (1")
Disques à tronçonner	∅ Max. 305 mm (12")
Épaisseur du disque à tronçonner	Max. 3,5 mm (1/8")
Poids de l'appareil	9,4 kg (20,72 lb)
Classe de protection	Classe de protection I (mise à la terre) ou classe de protection II (double isolation), voir plaque signalétique
Vitesse nominale à vide	Max. 4.900/min
Couple de serrage pour écrou de serrage	M16 x 1,5 : 40...50 Nm (30...37 lb/ft)

5 Consignes de sécurité

5.1 Indications générales de sécurité pour les appareils électriques

a) AVERTISSEMENT

Lire et comprendre toutes les consignes de sécurité et instructions. Le non-respect des consignes de sécurité et instructions indiquées ci-après peut entraîner un choc électrique, un incendie et / ou de graves blessures sur les personnes. **Les consignes de sécurité et instructions doivent être intégralement conservées pour les utilisations futures.** La notion d'« outil électroportatif » mentionnée dans les consignes de sécurité se rapporte à des outils électriques raccordés au secteur (avec câble de raccordement) et à des outils électriques à batterie (sans câble de raccordement).

5.1.1 Sécurité sur le lieu de travail

a) **Maintenez l'endroit de travail propre et bien éclairé.** Un lieu de travail en désordre ou mal éclairé augmente le risque d'accidents.

- b) **N'utilisez pas l'outil électroportatif dans un environnement présentant des risques d'explosion et où se trouvent des liquides, des gaz ou poussières inflammables.** Les outils électroportatifs génèrent des étincelles risquant d'enflammer les poussières ou les vapeurs.
- c) **Tenez les enfants et autres personnes éloignés durant l'utilisation de l'outil électroportatif.** En cas d'inattention vous risquez de perdre le contrôle de l'appareil.

5.1.2 Sécurité relative au système électrique

- a) **La fiche de secteur de l'outil électroportatif doit être appropriée à la prise de courant. Ne modifiez en aucun cas la fiche. N'utilisez pas de fiches d'adaptateur avec des outils électroportatifs avec mise à la terre.** Les fiches non modifiées et les prises de courant appropriées réduisent le risque de choc électrique.
- b) **Évitez le contact physique avec des surfaces mises à la terre tels que tuyaux, radiateurs, cui-**

sinières et réfrigérateurs. Il y a un risque élevé de choc électrique au cas où votre corps serait relié à la terre.

- c) **N'exposez pas les outils électroportatifs à la pluie ou à l'humidité.** La pénétration d'eau dans un outil électroportatif augmente le risque d'un choc électrique.
- d) **N'utilisez pas le câble à d'autres fins que celles prévues, n'utilisez pas le câble pour porter l'outil électroportatif ou pour l'accrocher ou encore pour le débrancher de la prise de courant. Maintenez le câble éloigné des sources de chaleur, des parties grasses, des bords tranchants ou des parties de l'appareil en rotation.** Un câble endommagé ou torsadé augmente le risque d'un choc électrique.
- e) **Au cas où vous utiliseriez l'outil électroportatif à l'extérieur, utilisez uniquement une rallonge homologuée pour les applications extérieures.** L'utilisation d'une rallonge électrique homologuée pour les applications extérieures réduit le risque d'un choc électrique.
- f) **Si l'utilisation de l'outil électroportatif dans un environnement humide ne peut pas être évitée, un interrupteur de protection contre les courants de court-circuit doit être utilisé.** L'utilisation d'un tel interrupteur de protection réduit le risque d'une décharge électrique.

5.1.3 Sécurité des personnes

- a) **Restez vigilant, surveillez ce que vous faites. Faites preuve de bon sens en utilisant l'outil électroportatif. N'utilisez pas l'outil électroportatif lorsque vous êtes fatigué ou après avoir consommé de l'alcool, des drogues ou avoir pris des médicaments.** Un moment d'inattention lors de l'utilisation de l'outil électroportatif peut entraîner de graves blessures sur les personnes.
- b) **Portez des équipements de protection. Portez toujours des lunettes de protection.** Le fait de porter des équipements de protection personnels tels que masque anti-poussière, chaussures de sécurité antidérapantes, casque de protection ou protection acoustique suivant le travail à effectuer, réduit le risque de blessures.
- c) **Évitez une mise en service par mégarde. S'assurer que l'outil électroportatif est arrêté avant de le brancher à la source de courant et/ou au bloc-accu, de le prendre ou de le porter.** Le fait de porter l'outil électroportatif avec le doigt sur l'interrupteur ou de brancher l'appareil sur la source de courant lorsque l'interrupteur est en position de fonctionnement, peut entraîner des accidents.
- d) **Enlevez tout outil de réglage ou toute clé avant de mettre l'outil électroportatif en fonctionnement.** Une clé ou un outil se trouvant sur une partie en rotation peut causer des blessures.
- e) **Adoptez une bonne posture. Veillez à garder toujours une position stable et équilibrée.** Ceci vous permet de mieux contrôler l'outil électroportatif dans des situations inattendues.
- f) **Portez des vêtements appropriés. Ne portez pas de vêtements amples ni de bijoux. Maintenez che-**

veux, vêtements et gants éloignés des parties de l'appareil en rotation. Des vêtements amples, des bijoux ou des cheveux longs peuvent être happés par des pièces en mouvement.

- g) **Si des dispositifs servant à aspirer ou à recueillir les poussières doivent être utilisés, vérifiez que ceux-ci sont effectivement raccordés et qu'ils sont correctement utilisés.** L'utilisation d'un dispositif d'aspiration peut engendrer un risque à cause des poussières.

5.1.4 Utilisation et maniement de l'outil électroportatif

- a) **Ne surchargez pas l'appareil. Utilisez l'outil électroportatif approprié au travail à effectuer.** Avec l'outil électroportatif approprié, vous travaillerez mieux et avec plus de sécurité à la vitesse pour laquelle il est prévu.
- b) **N'utilisez pas un outil électroportatif dont l'interrupteur est défectueux.** Un outil électroportatif qui ne peut plus être mis en ou hors fonctionnement est dangereux et doit être réparé.
- c) **Retirez la fiche de la prise de courant et/ou le bloc-accu avant d'effectuer des réglages sur l'appareil, de changer les accessoires, ou de ranger l'appareil.** Cette mesure de précaution empêche une mise en fonctionnement par mégarde de l'outil électroportatif.
- d) **Gardez les outils électroportatifs non utilisés hors de portée des enfants. Ne permettez pas l'utilisation de l'appareil à des personnes qui ne se sont pas familiarisées avec celui-ci ou qui n'ont pas lu ces instructions.** Les outils électroportatifs sont dangereux lorsqu'ils sont utilisés par des personnes non initiées.
- e) **Prendre soin des outils électroportatifs. Vérifier que les parties en mouvement fonctionnent correctement et qu'elles ne sont pas coincées, et contrôler si des parties sont cassées ou endommagées de sorte que le bon fonctionnement de l'outil électroportatif s'en trouve entravé. Faire réparer les parties endommagées avant d'utiliser l'appareil.** De nombreux accidents sont dus à des outils électroportatifs mal entretenus.
- f) **Maintenez les outils de coupe aiguisés et propres.** Des outils soigneusement entretenus avec des bords tranchants bien aiguisés se coincent moins souvent et peuvent être guidés plus facilement.
- g) **L'outil électroportatif, les accessoires, les outils à monter, etc. doivent être utilisés conformément à ces instructions. Tenez compte également des conditions de travail et du travail à effectuer.** L'utilisation des outils électroportatifs à d'autres fins que celles prévues peut entraîner des situations dangereuses.

5.1.5 Service

- a) **Ne faire réparer l'outil électroportatif que par un personnel qualifié et seulement avec des pièces de rechange d'origine.** Ceci permet d'assurer la sécurité de l'outil électroportatif.

5.2 Consignes de sécurité pour les travaux avec disques à tronçonner

- a) **Le carter de protection appartenant à l'outil électroportatif doit être solidement fixé et réglé de manière à atteindre la sécurité maximale, c.-à-d. que seule la plus petite partie possible de la meule doit être ouverte en direction de l'utilisateur. Les personnes se trouvant à proximité doivent se tenir en dehors du plan de l'accessoire rotatif.** Le carter de protection doit protéger l'utilisateur des éclats et d'un contact accidentel avec la meule.
- b) **Utiliser exclusivement des disques à tronçonner composites renforcés ou diamant déportés pour votre outil électroportatif.** Le simple fait de pouvoir fixer l'accessoire sur l'outil électroportatif ne garantit pas une utilisation sûre.
- c) **La vitesse admissible de l'accessoire doit au moins être égale à la vitesse supérieure indiquée sur l'outil électroportatif.** Les accessoires dont la vitesse de rotation est supérieure à celle admissible risquent de se briser ou de voltiger.
- d) **Les meules doivent uniquement être utilisées pour les possibilités d'applications recommandées. Par exemple : Ne jamais meuler avec la surface latérale d'un disque à tronçonner.** Les disques à tronçonner sont prévus pour attaquer le matériau avec l'arête du disque. Une action latérale sur ces meules risque de les casser.
- e) **Toujours utiliser des flasques de serrage en parfait état, de dimensions et de forme adaptées au disque à meuler choisi.** Les flasques adaptés soutiennent le disque et réduisent le risque de cassure du disque à meuler.
- f) **Ne pas utiliser de disques à meuler usés provenant d'outils électroportatifs plus grands.** Les disques à meuler destinés aux outils électroportatifs plus grands ne sont pas dimensionnés pour les vitesses supérieures des outils électroportatifs plus petits et risquent de se casser.
- g) **Le diamètre extérieur et l'épaisseur de l'accessoire doivent correspondre aux cotes de l'outil électroportatif utilisé.** Des accessoires mal dimensionnés peuvent ne pas être suffisamment protégés ou contrôlés.
- h) **Les disques à meuler et les flasques doivent exactement s'adapter sur la broche de meulage de l'outil électroportatif.** Les accessoires qui ne s'adaptent pas exactement sur la broche de meulage de l'outil électroportatif ne tournent pas de manière uniforme, vibrent fortement et risquent d'entraîner une perte de contrôle.
- i) **Ne pas utiliser de disques à meuler endommagés. Avant chaque utilisation, vérifier que les disques à meuler ne sont ni écaillés ni fendus. En cas de chute de l'outil électroportatif ou du disque à meuler, vérifier qu'il n'est pas endommagé et, le cas échéant, utiliser un disque à meuler non endommagé. Une fois le disque à meuler contrôlé et monté, l'utilisateur ainsi que les personnes se trouvant à proximité doivent se tenir en dehors du plan du disque à meuler en rotation et veiller à laisser tourner l'appareil pendant une minute à**
- la vitesse de rotation maximale. C'est lors de cette période de test que les disques à meuler endommagés se cassent le plus souvent.
- j) **Porter des équipements de protection individuelle. Utiliser, selon l'application, une protection du visage, une protection des yeux ou des lunettes de protection. Dans la mesure où ces équipements sont appropriés, porter un masque anti-poussière, un casque antibruit, des gants de protection ou un tablier spécial qui permettent de maintenir à distance les particules de matériau et de meulage.** Les yeux devraient être protégés contre les corps étrangers en suspension dans l'air, produits par diverses applications. Les masques anti-poussière ou respiratoire doivent filtrer la poussière résultant de l'utilisation. En cas d'exposition prolongée à un bruit important, il y a risque de perte d'audition.
- k) **Veiller à ce que les autres personnes se tiennent à une distance de sécurité de l'espace de travail. Toute personne accédant à l'espace de travail doit porter des équipements de protection individuelle.** Des éclats de la pièce travaillée ou des accessoires cassés risquent d'être projetés en l'air et de provoquer des blessures même à l'extérieur de l'espace de travail direct.
- l) **Tenir l'appareil seulement par les surfaces isolées des poignées lors des travaux pendant lesquels l'accessoire risque de toucher des câbles électriques cachés ou son propre câble d'alimentation réseau.** Le contact avec un câble sous tension risque de mettre les parties métalliques de l'appareil sous tension et de provoquer une décharge électrique.
- m) **Tenir le câble d'alimentation réseau éloigné des accessoires rotatifs.** En cas de perte de contrôle de l'appareil, le câble d'alimentation réseau peut être sectionné ou intercepté, et la main ou le bras de l'utilisateur risque de toucher l'accessoire rotatif.
- n) **Ne jamais poser l'outil électroportatif avant que l'accessoire soit complètement arrêté.** L'accessoire rotatif peut entrer en contact avec la surface sur laquelle l'outil électroportatif est posé, risquant d'entraîner ainsi une perte de contrôle de l'outil électroportatif.
- o) **Ne pas laisser l'outil tourner pendant son transport.** Les vêtements risquent d'être happés par un contact accidentel avec l'accessoire rotatif et l'outil électroportatif risque de perforer le corps de l'utilisateur.
- p) **Nettoyer régulièrement les fentes de ventilation de l'outil électroportatif.** Le ventilateur du moteur attire la poussière dans le carter, et une forte accumulation de poussière métallique peut représenter des dangers électriques.
- q) **Ne pas utiliser l'outil électroportatif à proximité de matériaux inflammables.** Des étincelles risquent d'enflammer ces matériaux.
- r) **Ne pas utiliser d'accessoires qui requièrent l'utilisation de réfrigérants liquides.** L'utilisation d'eau ou d'autres réfrigérants liquides risque de provoquer une décharge électrique.

5.3 Contrecoup et indications de sécurité correspondantes

Le contrecoup est une réaction soudaine qui se produit lorsqu'un disque à meuler en rotation reste accroché ou se bloque. Dans le cas d'un blocage ou d'un accrochage, l'outil en rotation s'arrête brusquement. De ce fait, un outil électroportatif incontrôlé est accéléré, à l'endroit du blocage, dans le sens de rotation opposé à celui de l'accessoire.

Lorsqu'un disque à meuler par ex. reste accroché ou se bloque dans la pièce, l'arête du disque à meuler plongée dans la pièce peut rester accrochée et provoquer l'éclatement du disque à meuler ou un contrecoup. Le disque à meuler se déplace alors vers l'utilisateur ou s'éloigne de lui, selon le sens de rotation du disque à l'endroit du blocage. Ce faisant, les disques à meuler risquent en outre de se casser.

Un contrecoup est la conséquence d'une mauvaise utilisation ou d'une utilisation incorrecte de l'outil électroportatif. Il peut être évité en prenant les mesures de précaution adaptées telles que décrites ci-dessous.

- a) **Bien tenir l'outil électroportatif, et garder le corps et les bras dans une position permettant d'amortir les forces de contrecoup. Toujours utiliser la poignée supplémentaire, si celle-ci est présente, afin d'avoir le meilleur contrôle possible sur les forces de contrecoup ou les couples antagonistes lors de l'accélération à pleine vitesse.** L'utilisateur peut maîtriser les forces de contrecoup et antagonistes en prenant les précautions appropriées.
- b) **Ne jamais approcher la main des accessoires rotatifs.** En cas de contrecoup, l'accessoire risque d'aller sur la main de l'utilisateur.
- c) **Éviter la zone devant et derrière le disque à tronçonner rotatif.** Le contrecoup entraîne l'outil électroportatif dans le sens opposé au déplacement du disque à l'endroit du blocage.
- d) **Travailler avec une extrême prudence dans les coins, arêtes vives, etc. Éviter que les accessoires rebondissent sur la pièce à travailler et se coincent.** L'accessoire rotatif a tendance à s'incliner dans les coins, les arêtes vives ou lorsqu'il rebondit. Ceci entraîne une perte de contrôle ou un contrecoup.
- e) **Ne pas utiliser de lames de scie à chaîne ou dentées, tout comme ne pas utiliser de disques diamants segmentés présentant des fentes supérieures à 10 mm.** De tels accessoires entraînent souvent un contrecoup ou la perte de contrôle de l'outil électroportatif.
- f) **Éviter de bloquer le disque à tronçonner et de le soumettre à une pression trop forte. Ne pas effectuer de coupes de profondeur excessive.** Une surcharge du disque à tronçonner augmente sa sollicitation et la probabilité de pliage ou blocage, et par conséquent l'éventualité d'un contrecoup ou de cassure du disque.
- g) **Si le disque à tronçonner se coincé ou que le travail est interrompu, débrancher l'appareil et attendre tranquillement jusqu'à ce que le disque s'arrête. Ne jamais essayer de sortir le disque**

encore en rotation de la coupe, sinon un contrecoup risque de se produire. Déterminer et résoudre la cause du coincement.

- h) **Ne jamais remettre l'outil électroportatif en marche tant qu'il se trouve dans la pièce à travailler. Attendre que le disque à tronçonner atteigne la pleine vitesse avant de poursuivre prudemment la coupe.** Dans le cas contraire, le disque risque de s'accrocher, de sauter de la pièce ou d'entraîner un contrecoup.
- i) **Soutenir les panneaux ou grandes pièces à travailler afin de réduire le risque d'un contrecoup causé par un disque à tronçonner coincé.** De grandes pièces à travailler peuvent se courber sous leur propre poids. La pièce à travailler doit être soutenue des deux côtés du disque et ce, aussi bien à proximité de la coupe que sur l'arête.
- j) **Procéder avec une extrême prudence en cas de « coupes en plongée » dans des murs existants ou autres zones imprévisibles.** Le disque à tronçonner plongeant risque de sectionner des conduites d'eau ou de gaz, des câbles ou gaines électriques, ou d'autres objets, et de causer un contrecoup.

5.4 Consignes de sécurité supplémentaires

5.4.1 Sécurité des personnes

- a) **Utiliser exclusivement les disques à tronçonner autorisés pour l'outil électroportatif concerné et les capots de protection prévus pour ces disques à tronçonner.** Les disques à tronçonner qui ne sont pas conçus pour l'outil électroportatif peuvent ne pas être suffisamment protégés et ne sont pas sûrs.
- b) **En mode de guidage manuel, toujours tenir l'appareil des deux mains par les poignées prévues à cet effet. Veiller à ce que les poignées soient toujours sèches, propres et exemptes de traces de graisse et d'huile.**
- c) **Tenir fermement l'appareil par les poignées isolées, lorsque des câbles ou gaines électriques cachés ou le câble d'alimentation risquent d'être endommagés par l'appareil.** En cas de contact avec des câbles ou gaines conductrices, les pièces métalliques non protégées de l'appareil sont mises sous tension et l'utilisateur est exposé à un risque de choc électrique.
- d) **Si l'appareil fonctionne sans dispositif d'aspiration de la poussière et si le travail effectué dégage de la poussière, porter un masque respiratoire léger. Fermer le volet obturateur du tuyau d'aspiration.**
- e) **Faire régulièrement des pauses et des exercices de relaxation et de massage des doigts pour favoriser l'irrigation sanguine dans les doigts.**
- f) **Éviter de toucher des pièces en rotation. Brancher l'appareil uniquement dans l'espace de travail.** Le fait de toucher des pièces en rotation, en particulier des outils en rotation, risque d'entraîner des blessures.
- g) **Pendant le travail, toujours tenir le câble d'alimentation réseau et de rallonge à l'arrière de**

- l'appareil.** Ceci permet d'éviter tout risque de chute en trébuchant sur le câble pendant le travail.
- h) **Toujours utiliser le carter de protection pour tronçonner sur un matériau support métallique.** Fermer le volet obturateur du tuyau d'aspiration.
 - i) **Lors de travaux d'ajourage, protéger l'espace du côté opposé aux travaux.** Des morceaux de matériaux risquent d'être éjectés et / ou de tomber, et de blesser d'autres personnes.
 - j) **Avertir les enfants et veiller à ce qu'ils ne jouent pas avec l'appareil.**
 - k) **L'appareil n'est pas destiné à être utilisé par des enfants ou des personnes affaiblies sans encadrement.**
 - l) **Ne pas utiliser l'appareil s'il peine ou démarre en marche arrière.** Il est possible que la commande électronique soit défectueuse. Faire réparer l'appareil sans attendre par le S.A.V. Hilti.
 - m) **AVERTISSEMENT : Certains types de poussières générées par ébarbage, meulage, tronçonnage et perçage contiennent des substances chimiques, connues pour être cancérogènes, qui risquent d'entraîner des malformations congénitales, une infertilité, des lésions permanentes des voies respiratoires ou d'autres natures.** Quelques-unes de ces substances chimiques sont le plomb contenu dans les peintures au plomb, le quartz cristallin provenant des briques, du béton, de la maçonnerie ou de pierres naturelles, ou encore l'arsenic ou le chrome provenant de bois de construction traités chimiquement. Les risques pour l'utilisateur varient en fonction de la fréquence de ces travaux. **Afin de réduire la charge de ces substances chimiques, l'utilisateur et les tierces personnes doivent travailler dans une pièce bien ventilée et utiliser les équipements de sécurité homologués. Porter un masque respiratoire adapté au type de poussière déterminé, qui filtre les particules microscopiques et permet d'éviter tout contact de la poussière avec le visage ou le corps. Éviter tout contact prolongé avec la poussière. Porter des vêtements de protection et laver à l'eau et au savon la portion de peau qui a été en contact avec la poussière.** L'absorption de poussières par la bouche, le nez ou les yeux, ou le contact prolongé des poussières avec la peau, risque de favoriser l'absorption de substances chimiques nocives pour la santé.
- d) **Avant de commencer à travailler, s'assurer que le disque à tronçonner est bien en place et fixé, et laisser l'outil tourner à vide pendant 30s dans un endroit sûr. Arrêter immédiatement l'appareil si d'importantes vibrations se produisent ou si d'autres défauts sont constatés. Si cela se produit, contrôler l'ensemble du système pour en déterminer la cause.**
 - e) **Veiller à ce que les étincelles engendrées par l'utilisation de l'appareil n'entraînent pas de dangers, par exemple, qu'elles ne risquent pas de toucher l'utilisateur ou d'autres personnes. Pour ce faire, mettre le carter de protection bien en place.**
 - f) Les fentes dans des murs et autres structures porteurs sont susceptibles de modifier la statique de la construction, en particulier lors d'interventions sur des armatures métalliques ou des éléments porteurs. **Avant de commencer le travail, consulter le staticien, l'architecte ou le chef de chantier compétent.**
 - g) **Guider attentivement l'outil et procéder à des coupes droites pour ne pas coincer l'outil. Les coupes curvilignes sont déconseillées.**
 - h) **Guider régulièrement l'outil et sans exercer de pression latérale sur le disque à tronçonner. Toujours poser l'outil en angle droit sur la pièce à travailler. Lors du tronçonnage, ne pas modifier le sens de coupe en exerçant une pression latérale ou en pliant le disque à tronçonner. Il y a un risque de casser ou d'endommager le disque à tronçonner.**

5.4.3 Sécurité relative au système électrique



5.4.2 Utilisation et emploi soigneux de l'outil électroportatif

- a) **Stocker, manipuler et mettre en place les disques à tronçonner conformément aux instructions du fabricant.**
- b) **Veiller pour ce faire à utiliser des porte-disques lorsqu'ils sont fournis ou requis avec les disques à tronçonner.**
- c) **Bien fixer la pièce. Pour ce faire, utiliser un dispositif de serrage ou un étai, pour maintenir la pièce travaillée en place.** Elle sera ainsi mieux tenue qu'à la main, et les deux mains restent alors libres pour commander l'appareil.
- a) **Avant d'entamer le travail, vérifier, par exemple à l'aide d'un détecteur de métaux, qu'il n'y a pas de câbles ou gaines électriques, tuyaux de gaz ou d'eau cachés dans la zone d'intervention.** Toutes pièces métalliques extérieures de l'appareil peuvent devenir conductrices, par exemple, lorsqu'un câble électrique est endommagé par inadvertance. Cela peut entraîner un grave danger d'électrocution.
- b) **Contrôler régulièrement les câbles de raccordement de l'appareil et les faire remplacer par un spécialiste s'ils sont endommagés. Si le câble de raccordement de l'appareil électrique est endommagé, il doit être remplacé par un câble de raccordement spécialement préparé, disponible auprès du service après-vente. Contrôler régulièrement les câbles de rallonge et les remplacer s'ils sont endommagés. Si le câble d'alimentation réseau ou de rallonge est endommagé pendant le travail, ne pas le toucher. Débrancher la fiche de la prise.** Les cordons d'alimentation et câbles de rallonge endommagés représentent un danger d'électrocution.
- c) **Si le travail s'effectue souvent sur des matériaux conducteurs, faire réviser les appareils encrassés**

par le S.A.V. Hilti à intervalles réguliers. Dans de mauvaises conditions d'utilisation, la poussière colée à la surface de l'appareil, surtout la poussière de matériaux conducteurs, ou l'humidité, peut entraîner une électrocution.

- d) **Lorsqu'un appareil électroportatif est utilisé en plein air, s'assurer que l'appareil est raccordé au réseau par le biais d'un interrupteur de protection contre les courants de court-circuit (GFCI) avec un courant de déclenchement maximal de 30 mA.** L'utilisation d'un tel interrupteur de protection réduit le risque d'une décharge électrique.
- e) **En principe, il est recommandé d'utiliser un interrupteur de protection contre les courants de court-circuit (GFCI) avec un courant de déclenchement maximal de 30 mA.**

5.4.4 Place de travail

Veiller à ce que la place de travail soit bien ventilée. Des places de travail mal ventilées peuvent nuire à la santé du fait de la présence excessive de poussière.

5.4.5 Équipement de protection individuelle



Lorsque l'appareil est utilisé, l'utilisateur ainsi que les personnes se trouvant à proximité doivent porter des lunettes de protection appropriées conformes à ANSI Z87.1 et homologuées, des casques de protection, des protections acoustiques, des gants de protection, ainsi qu'un masque respiratoire léger.

6 Mise en service



AVERTISSEMENT

Avant de procéder à un montage ou changement d'équipement sur l'appareil, retirer la fiche d'alimentation et attendre que le disque à tronçonner ou la broche soit complètement à l'arrêt.

ATTENTION

La tension du secteur doit correspondre à celle indiquée sur la plaque signalétique. S'assurer que l'appareil n'est pas raccordé au réseau électrique.

ATTENTION

Porter des gants de protection, en particulier pour le changement de disque, le réglage du carter de protection et le montage de la butée de profondeur.

6.1 Carter de protection

AVERTISSEMENT

Ne jamais utiliser l'appareil sans carter de protection.

REMARQUE

Si le carter de protection n'est pas suffisamment serré, il peut être resserré légèrement à l'aide de la vis de serrage.

6.1.1 Montage et réglage du carter de protection 5

1. Débrancher la fiche de la prise.
2. Desserrer la vis de serrage à l'aide de la clé pour vis à tête 6 pans creux.

3. Monter le carter de protection sur le prolongement du carter.
4. Tourner le carter de protection dans la position souhaitée.
5. Resserrer à fond la vis de serrage à l'aide de la clé pour vis à tête 6 pans creux.

6.1.2 Démontage du carter de protection

1. Débrancher la fiche de la prise.
2. Desserrer la vis de serrage à l'aide de la clé pour vis à tête 6 pans creux.
3. Faire pivoter le carter de protection et le retirer.

6.2 Butée de profondeur (en option)

DANGER

La butée de profondeur doit exclusivement être utilisée pour le tronçonnage de matériaux d'origine minérale à l'aide de disques à tronçonner diamantés.

6.2.1 Montage/ Démontage de la butée de profondeur 4

1. Débrancher la fiche de la prise.
2. Pour le montage, accrocher le crochet dans l'axe du guide-lame à rouleaux.
3. Faire pivoter le carter pivotant dans le carter de protection, jusqu'à ce que le taquet s'encliquette de manière audible.
4. Pour le démontage, appuyer sur le taquet et faire pivoter le carter pivotant hors du carter de protection.

6.2 Réglage de la profondeur de coupe à l'aide de la butée de profondeur

1. Appuyer sur le curseur de réglage de la profondeur de coupe.
2. Déplacer le curseur de réglage avec le repère jusqu'à atteindre la profondeur de coupe souhaitée.

6.3 Montage du disque à tronçonner

DANGER

Utiliser uniquement les flasques métriques et clés de serrage fournis.

ATTENTION

Utiliser uniquement des outils à tronçonner dont la vitesse de rotation admise est au moins égale à la vitesse de rotation à vide maximale de l'appareil.

ATTENTION

Des outils à tronçonner endommagés, chancelants ou vibrants ne doivent pas être utilisés.

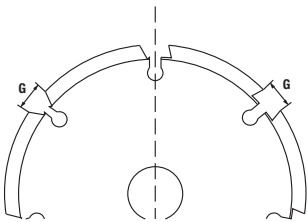
ATTENTION

Ne pas utiliser de disques à tronçonner renforcés aux fibres et liés à la résine dont la date limite d'utilisation est dépassée.

REMARQUE

Avec cet appareil, utiliser des disques à tronçonner diamantés conformes aux directives ANSI B7.1. Avec cet appareil, il est également possible d'utiliser des disques à tronçonner renforcés aux fibres et liés à la résine conformes à ANSI B7.1 (forme droite, non soudée, Typ cutting-off wheel), pour travailler sur des matériaux supports métalliques. Utiliser pour ce faire le porte-outil approprié DCH 300 ABR (voir accessoires) correspondant à cette machine. Respecter également les instructions de montage du fabricant de disques à tronçonner.

6.3.1 Montage du disque à tronçonner diamanté



La largeur de l'interstice G entre les segments doit être au plus de 10 mm ($\frac{3}{8}$ "). L'épaisseur du disque ne doit pas dépasser la valeur maximale de 3,5 mm ($\frac{1}{8}$ ").

Le flasque de rechange $\varnothing 60$ mm doit être utilisé réciproquement pour des disques à tronçonner de diamètre intérieur 22,2 mm ($\frac{7}{8}$ ") ou des disques à tronçonner de diamètre intérieur 25,4 mm (1"). Vérifier quel côté du flasque de rechange correspond au diamètre intérieur du

disque à tronçonner. Le flasque doit centrer le disque à tronçonner.

1. Débrancher la fiche de la prise.
2. Nettoyer le flasque de serrage et l'écrou de serrage.
3. Monter le flasque de rechange $\varnothing 60$ mm du bon côté sur la broche, de sorte qu'il ne puisse plus tourner.
4. Monter le disque à tronçonner diamanté sur le flasque de rechange.
5. Monter le flasque de serrage $\varnothing 60$ mm et l'écrou de serrage.
6. **ATTENTION Le bouton de blocage de la broche doit seulement être utilisé lorsque la broche est immobile.**
Appuyer sur le bouton de blocage de la broche et le maintenir enfoncé.
7. Serrer l'écrou de serrage à l'aide de la clé de serrage et relâcher ensuite le bouton de blocage de la broche.
8. S'assurer que le bouton de blocage de la broche est à nouveau débloqué.

6.3.2 Montage des disques à tronçonner renforcés aux fibres et liés à la résine (en option)

ATTENTION

Avec les disques à tronçonner renforcés aux fibres et liés à la résine, ne jamais utiliser de flasque inférieur à $\varnothing 80$ mm.

Le flasque de rechange $\varnothing 80$ mm doit être utilisé réciproquement pour des disques à tronçonner de diamètre intérieur 22,2 mm ($\frac{7}{8}$ ") ou des disques à tronçonner de diamètre intérieur 25,4 mm (1"). Vérifier quel côté du flasque de rechange correspond au diamètre intérieur du disque à tronçonner. Le flasque doit centrer le disque à tronçonner.

1. Débrancher la fiche de la prise.
2. Nettoyer le flasque de serrage et l'écrou de serrage.
3. Monter le flasque de rechange $\varnothing 80$ mm du bon côté sur la broche, de sorte qu'il ne puisse plus tourner.
4. Monter le disque à tronçonner diamanté sur le flasque de rechange.
5. Monter le flasque de serrage $\varnothing 80$ mm et l'écrou de serrage.
6. **ATTENTION Le bouton de blocage de la broche doit seulement être utilisé lorsque la broche est immobile.**
Appuyer sur le bouton de blocage de la broche et le maintenir enfoncé.
7. Serrer l'écrou de serrage à l'aide de la clé de serrage et relâcher ensuite le bouton de blocage de la broche.
8. S'assurer que le bouton de blocage de la broche est à nouveau débloqué.

6.4 Démontage des disques à tronçonner

Pour démonter les disques à tronçonner, suivre les instructions dans le sens inverse des étapes de montage.

6.5 Stockage et transport des disques à tronçonner

ATTENTION

Enlever les disques à tronçonner de l'appareil après utilisation. Le disque à tronçonner risque d'être en-

dommagé si l'appareil est transporté avec le disque à tronçonner monté.

ATTENTION

Stocker le disque à tronçonner conformément aux recommandations du constructeur. Un stockage inapproprié risque d'endommager les disques à tronçonner.

fr

7 Utilisation



DANGER

Tenir l'appareil seulement par les surfaces isolées des poignées lors des travaux pendant lesquels l'accès risque de toucher des câbles électriques cachés ou son propre câble d'alimentation réseau. Le contact avec un câble sous tension risque de mettre les parties métalliques de l'appareil sous tension et de provoquer une décharge électrique.

AVERTISSEMENT

Ne pas utiliser l'appareil s'il peine ou démarre en marche arrière. Il est possible que la commande électronique soit défectueuse. Faire réparer l'appareil sans attendre par le S.A.V. Hilti.

ATTENTION

L'appareil et les travaux de tronçonnage sont bruyants. Porter un casque antibruit. Un bruit trop intense peut entraîner des lésions auditives.

ATTENTION

Le tronçonnage peut entraîner des projections dangereuses d'éclats de matériau. Les éclats de matériau peuvent entraîner des blessures corporelles et oculaires. Utiliser des lunettes de protection et un casque de protection.

ATTENTION

Il est important respecter le sens de l'avance. L'appareil doit toujours être guidé avec les rouleaux à l'avant sur le matériau support. Il y a sinon un risque de contrecoup.

AVERTISSEMENT

La tension du secteur doit correspondre à celle indiquée sur la plaquette signalétique de l'appareil.

ATTENTION

Le disque à tronçonner et les pièces de l'appareil peuvent devenir brûlants lors de l'utilisation. L'utilisateur risque de se brûler les mains. Porter des gants de protection.

Manipuler seulement l'appareil aux poignées prévues à cet effet.

ATTENTION

Pour bloquer les pièces, utiliser un dispositif de serrage ou un étau.

AVERTISSEMENT

Les fentes dans des murs et autres structures porteurs sont susceptibles de modifier la statique de la construction, en particulier lors d'interventions sur des armatures métalliques ou des éléments porteurs. Avant de commencer le travail, consulter le staticien, l'architecte ou le chef de chantier compétent.

7.1 Travaux avec l'appareil

Veiller à ce que le côté fermé du carter de protection soit orienté vers le corps de l'utilisateur.

Adapter la position du carter de protection à l'application de tronçonnage concernée.

7.2 Protection contre le vol TPS (en option)

REMARQUE

L'appareil peut être équipé, en option, de la fonction "Protection contre le vol". Si l'appareil est équipé avec cette fonction, il peut uniquement être débloqué et activé à l'aide de la clé de déblocage fournie.

7.2.1 Déblocage de l'appareil

1. Brancher la fiche d'alimentation de l'appareil dans la prise. Le voyant jaune de protection contre le vol clignote. L'appareil est maintenant prêt à recevoir le signal de la clé de déblocage.
2. Placer la clé de déblocage directement sur le symbole de cadenas. Dès que le voyant jaune de protection contre le vol s'éteint, l'appareil est débloqué.

REMARQUE Si l'alimentation électrique est coupée, par exemple lors du changement de poste de travail ou d'une panne de courant, l'appareil reste débloqué pendant environ 20 minutes. En cas de coupure plus longue, l'appareil doit à nouveau être débloqué à l'aide de la clé de déblocage.

7.2.2 Activation de la fonction de protection contre le vol de l'appareil

REMARQUE

Pour plus d'informations concernant l'activation et l'utilisation de la protection contre le vol, consulter le mode d'emploi "Protection contre le vol".

7.3 Mise en marche

1. Brancher la fiche dans la prise.
2. Toujours tenir l'appareil des deux mains par les poignées prévues à cet effet.
3. Déverrouiller en actionnant le dispositif de blocage de l'interrupteur Marche / Arrêt.
4. Appuyer sur l'interrupteur Marche / Arrêt.
5. Saisir à nouveau la poignée arrière avec le pouce.

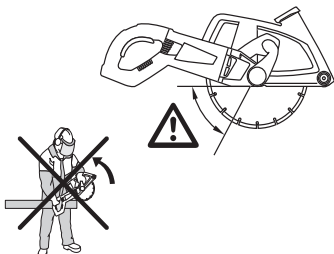
7.4 Arrêt

Relâcher l'interrupteur Marche / Arrêt.

Après avoir relâché l'interrupteur Marche / Arrêt, l'appareil s'arrête.

Le dispositif de blocage est à nouveau actif.

7.5 Travaux avec des disques à tronçonner



ANGER

Veiller à ce que l'outil ne pénètre pas dans le matériau support dans la zone marquée à cause du risque de contrecoup.

ANGER

Autant que possible, poser d'abord les rouleaux sur la pièce à travailler avant de l'entailler. Redoubler d'attention si cela n'est pas possible ou si le disque à tronçonner doit être inséré dans une entaille existante.

8 Nettoyage et entretien

ATTENTION

Débrancher la fiche de la prise.

8.1 Maintenance de l'appareil

ANGER

Dans des conditions d'utilisation extrêmes, lors de travaux générant des poussières métalliques de matériaux conducteurs, des dépôts peuvent se former à l'intérieur de l'appareil. L'isolation de protection de l'appareil peut en être amoindrie. **Il est dans ce cas recommandé d'utiliser un dispositif d'aspiration stationnaire, de nettoyer régulièrement les fentes de ventilation et de brancher en amont un interrupteur de protection contre les courants de court-circuit (GFCI).**

1. Lors du tronçonnage de matériaux d'origine minérale, placer l'appareil avec le guide-lame à rouleaux sur le matériau support.
2. Faire tourner l'appareil à plein régime.
3. En appuyant sur l'appareil, faire rentrer doucement le disque à tronçonner dans le matériau. Ceci permet d'assurer que les particules et les étincelles sont prises par le carter et déviées afin d'être aspirées.

REMARQUE Avancer modérément l'outil, de manière adaptée au matériau à travailler.

REMARQUE Lors du tronçonnage de matériaux d'origine minérale particulièrement durs, par ex. du béton à forte teneur en graviers, le disque à tronçonner diamanté risque de surchauffer ou d'être endommagé. Une couronne d'étincelles tournant avec le disque à tronçonner diamanté est révélatrice d'un tel état. Dans ce cas, interrompre le tronçonnage et laisser le disque à tronçonner diamanté refroidir sans charge en marche à vide.

Une baisse des performances de travail peut provenir de l'usure des segments diamantés (polissage des segments). Ceux-ci peuvent à nouveau être affûtés en opérant des coupes dans un matériel abrasif (surface d'affûtage Hilti ou un grès argilo-calcaire abrasif).

7.6 Travaux sur un matériau support d'origine minérale avec un dispositif d'aspiration approprié

REMARQUE

Pour éliminer le matériau aspiré, se référer au mode d'emploi du dispositif d'aspiration.

L'utilisation conjointe d'un système d'aspiration approprié (tel que Hilti VCD 50) permet de travailler sans générer de poussières. Un tel dispositif d'aspiration permet notamment d'accroître l'efficacité du refroidissement des segments, ce qui contribue à réduire leur usure. Pour supprimer les effets électrostatiques, utiliser un système d'aspiration muni d'un tuyau d'aspiration antistatique.

La coque extérieure du carter moteur ainsi que les poignées sont en plastique résilient. Les parties préhensibles sont partiellement recouvertes d'élastomère.

Ne jamais faire fonctionner l'appareil si ses ouïes d'aération sont bouchées ! Les nettoyer avec précaution au moyen d'une brosse sèche. Éviter toute pénétration de corps étrangers à l'intérieur de l'appareil. Nettoyer régulièrement l'extérieur de l'appareil avec un chiffon légèrement humide. Ne pas utiliser d'appareil diffuseur, d'appareil à jet de vapeur ou d'eau courante pour le nettoyage afin de garantir sa sûreté électrique ! Veiller à ce que les parties préhensibles de l'appareil soient toujours exemptes de toute trace d'huile et de graisse. Ne pas utiliser de nettoyeurs à base de silicone.

8.2 Indicateur de maintenance

REMARQUE

L'appareil est équipé d'un indicateur de maintenance.

Affichage	allumé en rouge	La durée de fonctionnement pour une maintenance est atteinte. L'appareil peut encore être utilisé pendant quelques heures à compter de l'allumage de l'indicateur, jusqu'à l'arrêt automatique de l'appareil. Apporter l'appareil au S.A.V. Hilti à temps afin que l'appareil soit toujours prêt à fonctionner.
	clignote d'une lumière rouge	Voir chapitre Guide de dépannage.

8.3 Entretien

AVERTISSEMENT

Toute réparation des pièces électriques ne doit être effectuée que par un électricien qualifié.

Vérifier régulièrement toutes les pièces extérieures de l'appareil pour voir si elles ne sont pas abîmées et s'assurer que tous les organes de commande fonctionnent correctement. Ne pas utiliser l'appareil si des pièces

sont abîmées ou si des organes de commande ne fonctionnent pas parfaitement. Faire réparer l'appareil par le S.A.V. Hilti.

8.4 Contrôle après des travaux de maintenance et d'entretien

Après des travaux de maintenance et d'entretien, vérifier si tous les équipements de protection sont bien en place et fonctionnent parfaitement.

9 Guide de dépannage

Défauts	Causes possibles	Solutions
L'appareil ne se met pas en marche	L'alimentation réseau est coupée.	Brancher un autre appareil électrique, contrôler son fonctionnement.
	Le câble d'alimentation réseau ou le connecteur est défectueux.	Le faire vérifier par un électricien et, si nécessaire, le remplacer.
	L'appareil n'est pas débloqué (pour les appareils avec protection contre le vol, en option).	Débloquer l'appareil à l'aide de la clé de déblocage.
	Interrupteur Marche / Arrêt défectueux.	Faire réparer l'appareil par le S.A.V. Hilti.
	Charge excessive de l'appareil (limite d'emploi dépassée).	Utiliser un appareil approprié pour ce type de travail.
	La protection contre les surchauffes est active.	Laisser refroidir l'appareil. Nettoyer les ouïes d'aération.
	Autre défaut électrique.	Le faire vérifier par un électricien.
L'appareil n'atteint pas la pleine puissance.	La section du câble de rallonge n'est pas suffisante.	Utiliser un câble de rallonge de section suffisante. (voir Mise en service)
L'appareil ne se met pas en marche et l'indicateur de maintenance clignote d'une lumière rouge.	Appareil endommagé	Faire réparer l'appareil par le S.A.V. Hilti
L'appareil ne se met pas en marche et l'indicateur de maintenance s'allume d'une lumière rouge.	Balais usés.	Les faire vérifier par un électricien et, si nécessaire, les remplacer.

Défauts	Causes possibles	Solutions
L'appareil ne se met pas en marche et l'indicateur de protection contre le vol clignote d'une lumière jaune.	L'appareil n'est pas débloqué (pour les appareils avec protection contre le vol, en option).	Débloquer l'appareil à l'aide de la clé de déblocage.

10 Recyclage



Les appareils Hilti sont fabriqués pour une grande partie en matériaux recyclables dont la réutilisation exige un tri correct. Dans de nombreux pays, Hilti est déjà équipé pour reprendre votre ancien appareil afin d'en recycler les composants. Consulter le service clients Hilti ou votre conseiller commercial.

11 Garantie constructeur des appareils

Hilti garantit l'appareil contre tout vice de matières et de fabrication. Cette garantie s'applique à condition que l'appareil soit utilisé et manipulé, nettoyé et entretenu correctement, en conformité avec le mode d'emploi Hilti, et que l'intégrité technique soit préservée, c'est-à-dire sous réserve de l'utilisation exclusive de consommables, accessoires et pièces de rechange d'origine Hilti.

Cette garantie se limite strictement à la réparation gratuite ou au remplacement gracieux des pièces défectueuses pendant toute la durée de vie de l'appareil. Elle ne couvre pas les pièces soumises à une usure normale.

Toutes autres revendications sont exclues pour autant que des dispositions légales nationales impératives ne s'y opposent pas. En particulier, Hilti ne

saurait être tenu pour responsable de toutes détériorations, pertes ou dépenses directes, indirectes, accidentelles ou consécutives, en rapport avec l'utilisation ou dues à une incapacité à utiliser l'appareil dans quelque but que ce soit. Hilti exclut en particulier les garanties implicites concernant l'utilisation et l'aptitude dans un but bien précis.

Pour toute réparation ou tout échange, renvoyer l'appareil ou les pièces concernées au réseau de vente Hilti compétent, sans délai, dès constatation du défaut.

La présente garantie couvre toutes les obligations d'Hilti et annule et remplace toutes les déclarations antérieures ou actuelles, de même que tous accords oraux ou écrits concernant des garanties.

Tronzadora de diamante DCH 300

Lea detenidamente el manual de instrucciones antes de la puesta en servicio.

ES **Conservar el manual de instrucciones siempre cerca de la herramienta.**

En caso de traspaso a terceros, la herramienta siempre se debe entregar junto con el manual de instrucciones.

Índice	Página
1 Indicaciones generales	30
2 Descripción	31
3 Accesorios, material de consumo	33
4 Datos técnicos	34
5 Indicaciones de seguridad	34
6 Puesta en servicio	39
7 Manejo	41
8 Cuidado y mantenimiento	42
9 Localización de averías	43
10 Reciclaje	44
11 Garantía del fabricante de las herramientas	44

1 Los números hacen referencia a las ilustraciones del texto que pueden encontrarse en las páginas desplegadas correspondientes. Manténgalas desplegadas mientras estudia el manual de instrucciones.

En este manual de instrucciones, el término "la herramienta" se refiere siempre a la tronzadora de diamante DCH 300.

Elementos de manejo y de indicación **1**

- ① Botón de bloqueo del husillo
- ② Empuñadura delantera

- ③ Interruptor de conexión y desconexión
- ④ Bloqueo de conexión
- ⑤ Disco tronzador de diamante
- ⑥ Husillo
- ⑦ Protección
- ⑧ Rodillos de guía
- ⑨ Llave de mandril SW 24/ SW 10
- ⑩ Llave de hexágono interior SW 6
- ⑪ Tornillo de apriete para cubierta de protección
- ⑫ Tapa del tubo de aspiración de polvo
- ⑬ Indicador de funcionamiento
- ⑭ Indicador de protección antirrobo (opcional)

Sistema de sujeción DCH 300 para discos tronzadores de diamante **2**

- ⑮ Brida intercambiable Ø60 mm
- ⑯ Brida de apriete Ø60 mm
- ⑰ Tuerca de apriete M16 x 1,5

Sistema de sujeción DCH 300 para discos tronzadores de aglomerado con resina sintética y reforzados con fibra (opcional) **3**

- ⑱ Brida intercambiable Ø80 mm
- ⑲ Disco tronzador de aglomerado con resina sintética y reforzado con fibra Ø300 mm (12")
- ⑳ Brida de apriete Ø80 mm
- ㉑ Tuerca de apriete M16 x 1,5

Tope de profundidad (opcional) **4**

- ㉒ Ventilador
- ㉓ Gancho
- ㉔ Encastre
- ㉕ Pasador de ajuste para la profundidad de corte
- ㉖ Escala de ajuste de la profundidad de corte

1 Indicaciones generales

1.1 Señales de peligro y significado

PELIGRO

Término utilizado para un peligro inminente que puede ocasionar lesiones graves o incluso la muerte.

ADVERTENCIA

Término utilizado para una posible situación peligrosa que puede ocasionar lesiones graves o la muerte.

PRECAUCIÓN

Término utilizado para una posible situación peligrosa que puede ocasionar lesiones o daños materiales leves.

INDICACIÓN

Término utilizado para indicaciones de uso y demás información de interés.

1.2 Explicación de los pictogramas y otras indicaciones

Símbolos de advertencia



Advertencia de peligro en general



Advertencia de tensión eléctrica peligrosa

Señales prescriptivas



Utilizar casco de protección



Utilizar protección para los ojos



Utilizar protección para los oídos



Utilizar guantes de protección



Utilizar zapatos de protección



Utilizar mascarilla ligera

Símbolos



Leer el manual de instrucciones antes del uso



Reciclar los materiales usados

A

Amperios

V

Voltios



Corriente alterna

/min

Revoluciones por minuto

RPM

Revoluciones por minuto



Diámetro

n

Velocidad de medición



Aislamiento doble

Ubicación de los datos identificativos de la herramienta.

La denominación del modelo y la identificación de serie se indican en la placa de identificación de su herramienta. Anote estos datos en su manual de instrucciones y menciónelos siempre que realice alguna consulta a nuestros representantes o al departamento de servicio técnico.

Modelo:

N.º de serie:

2 Descripción

2.1 Uso conforme a las prescripciones

La DCH 300 es una tronczadora de diamante de accionamiento eléctrico diseñada para el uso profesional en la construcción.

Esta herramienta es apropiada para tronzar superficies minerales con discos tronzadores de diamante y sin necesidad de emplear agua.

Para tronzar superficies minerales será necesario utilizar un sistema de aspiración de polvo con el filtro correspondiente, por ejemplo, el aspirador Hilti VCU40 /VCD 50.

Para evitar efectos electrostáticos, utilice un aspirador de polvo equipado con manguera antiestática.

Utilice exclusivamente discos tronzadores de diamante que admitan una velocidad periférica mínima de 80 m/s (16.000 ft/min).

La herramienta sólo se debe utilizar deslizándola (en contrasentido).

Está prohibido trabajar con líquidos, por ejemplo, para refrigerar el disco o impedir la formación de polvo.

No utilice la tronczadora para tareas de tronzado con útiles que no estén autorizadas (p. ej., hojas de sierra circular). Tampoco se debe utilizar para desbastar ni rectificar.

Esta herramienta también sirve para tronzar superficies metálicas con discos tronzadores de aglomerado con resina sintética y reforzado con fibra. Para ello, utilice únicamente discos tronzadores de aglomerado con resina sintética y reforzado con fibra que admitan una velocidad periférica mínima de 80 m/s (16.000 ft/min).

El entorno de trabajo puede ser: obra, taller, renovaciones, mudanzas y obra nueva.

A fin de evitar el riesgo de lesiones, utilice exclusivamente accesorios y herramientas originales de Hilti.

es

Siga también las instrucciones de seguridad y manejo del accesorio utilizado.

Siga las indicaciones relativas al manejo, cuidado y mantenimiento que se describen en el manual de instrucciones. Esta herramienta ha sido diseñada para el usuario profesional y sólo debe ser manejada, conservada y reparada por personal autorizado y debidamente formado. Este personal deberá estar especialmente instruido en lo referente a los riesgos de uso. La herramienta y sus dispositivos auxiliares pueden conllevar riesgos para el usuario en caso de manejarse de forma inadecuada por personal no cualificado o utilizarse para usos diferentes a los que están destinados.

Utilice la herramienta únicamente en lugares secos.

Un funcionamiento correcto sólo es posible con la frecuencia y tensión de alimentación especificada en la placa de identificación.

No utilice la herramienta en lugares donde exista peligro de incendio o explosión.

No deben trabajarse materiales nocivos para la salud (p.ej., amianto).

No está permitido efectuar manipulaciones o modificaciones en la herramienta.

2.2 Interruptores

Interruptor de conexión/desconexión con bloqueo de conexión

2.3 Limitación de la corriente de arranque

La corriente de conexión de la herramienta es muy superior a la corriente nominal. Mediante la limitación electrónica de la corriente de arranque se reduce la corriente de conexión de forma que el fusible de la red no reaccione. De esta forma se evita un arranque brusco de la herramienta.

2.4 Bloqueo de re arranque

En caso de que se interrumpa la corriente y se vuelva a restablecer, la herramienta no se conecta automáticamente. Primero se debe soltar el interruptor y tras aprox. 1 minuto se debe volver a accionar.

2.5 Protección antirrobo TPS (opcional)

La herramienta puede estar equipada opcionalmente con la función "protección antirrobo TPS". Si la herramienta está equipada con esta función, necesitará la llave de activación correspondiente para activarla y manejarla.

2.6 Indicadores con señal luminosa

Indicador de funcionamiento con señal luminosa (véase el capítulo "Cuidado y mantenimiento")

Indicador de protección antirrobo (se puede adquirir de forma opcional) (véase el capítulo "Manejo")

2.7 Cubierta de protección con rodillos de guía

Los trabajos de tronzado y entallado en piedra sólo pueden realizarse con una cubierta protectora antipolvo con rodillos de guía.

2.8 Protección electrónica contra sobrecarga

Esta herramienta tienen una protección electrónica contra sobrecarga.

La protección electrónica contra sobrecarga controla el consumo de corriente, protegiendo así la herramienta contra cualquier sobrecarga durante su utilización.

En caso de sobrecarga del motor a causa de una fuerza de apriete demasiado alta y, a su vez, de un consumo de corriente excesivo, la herramienta se desconecta.

Al soltar el interruptor de conexión/desconexión, se puede seguir trabajando.

El usuario puede evitar la desconexión reduciendo la fuerza de apriete, si se desea realizar un trabajo continuo sin paradas.

2.9 Uso de alargadores

Utilice exclusivamente el alargador autorizado con sección suficiente para el campo de aplicación prescrito. De lo contrario, podría generarse una pérdida de potencia de la herramienta y un sobrecalentamiento del cable. Controle regularmente el alargador por si estuviera dañado. Sustituya los alargadores dañados.

Secciones mínimas recomendadas y longitudes máximas del cable

Sección de cable	14 AWG	12 AWG
Tensión de alimentación 110-120 V	-	125 ft

No utilice alargadores con una sección de cable de 16 AWG.

2.10 Alargador para trabajos al aire libre

Cuando trabaje al aire libre, utilice únicamente alargadores autorizados que estén debidamente identificados.

2.11 Uso de un generador o transformador

Esta herramienta puede accionarse desde un generador o transformador (por cuenta de la empresa explotadora) si se cumplen las siguientes condiciones: la potencia útil en vatios debe ser al menos el doble de la potencia que figura en la placa de identificación de la herramienta; la tensión de servicio debe oscilar siempre entre +5% y -15% con respecto a la tensión nominal y la frecuencia debe ser de 50 a 60 Hz (nunca debe superar los 65 Hz); debe existir, además, un regulador de tensión automático con refuerzo de arranque.

No tenga conectadas simultáneamente al generador/transformador otras herramientas, o utilice un generador/transformador que esté diseñado para que funcionen la herramienta y el aspirador. La conexión y desconexión de otras herramientas puede ocasionar máximos de subtensión o sobretensión que pueden dañar la herramienta.

2.12 Tope de profundidad (opcional)

La herramienta puede equiparse adicionalmente con un tope de profundidad. Este mejora la aspiración de polvo en trabajos de tronzado en minerales. La profundidad de corte máxima se puede ajustar en el tope de profundidad utilizando una escala de ajuste de la profundidad de corte.

2.13 El suministro del equipamiento de serie incluye:

- 1 Herramienta con protección DCH-EX 300
- 1 Brida intercambiable \varnothing 60 mm
- 1 Brida de apriete \varnothing 60 mm
- 1 Tuerca de apriete M16 x 1,5
- 1 Llave de mandril SW 24/ SW 10
- 1 Llave de hexágono interior SW 6
- 1 Embalaje de cartón
- 1 Manual de instrucciones

2.14 Especificación de los discos tronzadores

Con esta herramienta se deben utilizar discos tronzadores de diamante de acuerdo con las disposiciones de la norma ANSI B7.1.

Opcionalmente, también se pueden usar discos tronzadores de aglomerado con resina sintética y reforzado con fibra según ANSI B7.1 (forma recta, no acodada, modelo cutting-off wheel) para trabajar en capas metálicas. Siempre se debe utilizar el portaútiles adecuado DCH 300 ABR (véanse los accesorios) para la herramienta.

Tenga en cuenta también las indicaciones de montaje del fabricante de los discos tronzadores.

3 Accesorios, material de consumo

Denominación	Número de artículo, descripción
Portaútiles DCH 300 ABR	212259, Brida intercambiable \varnothing 80 mm, brida de apriete \varnothing 80 mm, tuerca de apriete M16 x 1,5
Tope de profundidad para DCH 300	212131
Aspirador de polvo de la gama de productos Hilti	
Manguera completa, antiestática	203867, Longitud 5 m (16,4 ft), \varnothing 36
Maletín Hilti	47986

DCH 300

Tipo de discos	Especificación	Superficie de trabajo
Disco tronzador de diamante	DCH-D 12" C1	Hormigón

Tipo de discos	Especificación	Superficie de trabajo
Disco tronizador de diamante	DCH-D 12" C2	Hormigón duro
Disco tronizador de diamante	DCH-D 12" M1	Mampostería, piedra arenisca calcárea
Disco tronizador de diamante	DCH-D 12" C10	Hormigón economy line
Disco tronizador de diamante	DCH-D 12" M10	Mampostería economy line

ES

4 Datos técnicos

Reservado el derecho a introducir modificaciones técnicas.

Información sobre la herramienta y su aplicación	DCH 300
Voltaje nominal	120 V
Intensidad nominal	20 A
Frecuencia de red	60 Hz
Dimensiones (L x An x Al)	705 mm (27,76") x 240 mm (9,45") x 235 mm (9,25")
Rosca del husillo de accionamiento	M 16 X 1,5
Orificio del disco	25,4 mm (1")
Discos tronizadores	∅ Máx. 305 mm (12")
Grosor del disco tronizador	Máx. 3,5 mm (1/8")
Peso de la herramienta	9,4 kg (20,72 lb)
Clase de protección	Clase de protección I (puesta a tierra) o clase de protección II (aislamiento doble), véase la placa de potencia
Número de referencia de revoluciones en vacío	Máx. 4.900/min
Par de apriete para tuerca de apriete	M16 x 1,5: 40...50 Nm (30...37 lb/ft)

5 Indicaciones de seguridad

5.1 Indicaciones generales de seguridad para herramientas eléctricas

a)  **ADVERTENCIA**

Lea con atención todas las instrucciones e indicaciones de seguridad. En caso de no respetar las instrucciones e indicaciones de seguridad que se describen a continuación, podría producirse una descarga eléctrica, incendio y/o lesiones graves. **Conserve todas las instrucciones e indicaciones de seguridad para futuras consultas.** El término "herramienta eléctrica" empleado en las indicaciones de seguridad se refiere a herramientas eléctricas portátiles, ya sea con cable de red o sin cable, en caso de ser accionadas por batería.

5.1.1 Seguridad en el puesto de trabajo

- a) **Mantenga su área de trabajo limpia y bien iluminada.** El desorden o una iluminación deficiente de las zonas de trabajo pueden provocar accidentes.
- b) **No utilice la herramienta eléctrica en un entorno con peligro de explosión, en el que se encuen-**

tren combustibles líquidos, gases o material en polvo. Las herramientas eléctricas producen chispas que pueden llegar a inflamar los materiales en polvo o vapores.

- c) **Mantenga alejados a los niños y otras personas de su puesto de trabajo al emplear la herramienta eléctrica.** Una distracción le puede hacer perder el control sobre la herramienta.

5.1.2 Seguridad eléctrica

- a) **El enchufe de la herramienta eléctrica debe corresponder con la toma de corriente utilizada. No está permitido modificar el enchufe en forma alguna. No utilice enchufes adaptadores para las herramientas eléctricas con puesta a tierra.** Los enchufes sin modificar adecuados a las respectivas tomas de corriente reducen el riesgo de descarga eléctrica.
- b) **Evite el contacto corporal con superficies que tengan puesta a tierra, como pueden ser tubos, calefacciones, cocinas y frigoríficos.** El riesgo a

quedar expuesto a una descarga eléctrica es mayor si su cuerpo tiene contacto con el suelo.

- c) **No exponga las herramientas eléctricas a la lluvia y evite que penetren líquidos en su interior.** El riesgo de recibir descargas eléctricas aumenta si penetra agua en la herramienta eléctrica.
- d) **No utilice el cable de red para transportar o colgar la herramienta eléctrica ni tire de él para extraer el enchufe de la toma de corriente. Mantenga el cable de red alejado de fuentes de calor, aceite, aristas afiladas o piezas móviles de la herramienta.** Los cables de red dañados o enredados pueden provocar descargas eléctricas.
- e) **Cuando trabaje al aire libre con una herramienta eléctrica, utilice exclusivamente un alargador adecuado para exteriores.** La utilización de un cable de prolongación adecuado para su uso en exteriores reduce el riesgo de una descarga eléctrica.
- f) **Cuando no pueda evitarse el uso de la herramienta eléctrica en un entorno húmedo, utilice un interruptor de corriente de defecto.** La utilización de un interruptor de corriente de defecto evita el riesgo de una descarga eléctrica.

5.1.3 Seguridad de las personas

- a) **Permanezca atento, preste atención durante el trabajo y utilice la herramienta eléctrica con prudencia. No utilice la herramienta eléctrica si está cansado, ni tampoco después de haber consumido alcohol, drogas o medicamentos.** Un momento de descuido al utilizar la herramienta eléctrica podría producir graves lesiones.
- b) **Utilice el equipo de protección adecuado y lleve siempre gafas de protección.** El riesgo de lesiones se reduce considerablemente si, según el tipo y la aplicación de la herramienta eléctrica empleada, se utiliza un equipo de cubierta protectora adecuado como una mascarilla antipolvo, zapatos de seguridad con suela antideslizante, casco o protectores auditivos.
- c) **Evite una puesta en marcha fortuita de la herramienta. Asegúrese de que la herramienta eléctrica está apagada antes de alzarla, transportarla, conectarla a la alimentación de corriente y/o insertar la batería.** Si transporta la herramienta eléctrica sujetándola por el interruptor de conexión/desconexión o si introduce el enchufe en la toma de corriente con la herramienta conectada, podría producirse un accidente.
- d) **Retire las herramientas de ajuste o llaves fijas antes de conectar la herramienta eléctrica.** Una herramienta o llave colocada en una pieza giratoria puede producir lesiones al ponerse en funcionamiento.
- e) **Evite adoptar posturas forzadas. Procure que la postura sea estable y manténgase siempre en equilibrio.** De esta forma podrá controlar mejor la herramienta eléctrica en caso de presentarse una situación inesperada.
- f) **Utilice ropa adecuada. No utilice vestimenta amplia ni joyas. Mantenga su pelo, vestimenta y**

guantes alejados de las piezas móviles. La vestimenta suelta, las joyas y el pelo largo se pueden enganchar con las piezas móviles.

- g) **Siempre que sea posible utilizar equipos de aspiración o captación de polvo, asegúrese de que están conectados y de que se utilizan correctamente.** El uso de un sistema de aspiración reduce los riesgos derivados del polvo.

5.1.4 Uso y manejo de la herramienta eléctrica

- a) **No sobrecargue la herramienta. Utilice la herramienta adecuada para el trabajo que se dispone a realizar.** Con la herramienta apropiada podrá trabajar mejor y de modo más seguro dentro del margen de potencia indicado.
- b) **No utilice herramientas con el interruptor defectuoso.** Las herramientas que no se puedan conectar o desconectar son peligrosas y deben repararse.
- c) **Extraiga el enchufe de la toma de corriente y/o la batería antes de efectuar cualquier ajuste en la herramienta, cambiar accesorios o en caso de no utilizar la herramienta durante un tiempo prolongado.** Esta medida preventiva reduce el riesgo de conexión accidental de la herramienta eléctrica.
- d) **Guarde las herramientas fuera del alcance de los niños. Evite que personas no familiarizadas con su uso o que no hayan leído este manual de instrucciones utilicen la herramienta.** Las herramientas utilizadas por personas inexpertas son peligrosas.
- e) **Cuide su herramienta eléctrica adecuadamente. Compruebe si las piezas móviles de la herramienta funcionan correctamente y sin atascarse, y si existen piezas rotas o deterioradas que pudieran afectar al funcionamiento de la herramienta eléctrica.** Encargue la reparación de las piezas defectuosas antes de usar la herramienta eléctrica. Muchos accidentes son consecuencia de un mantenimiento inadecuado de la herramienta eléctrica.
- f) **Mantenga los útiles limpios y afilados.** Las herramientas de corte bien cuidadas y con aristas afiladas se atascan menos y se guían con más facilidad.
- g) **Utilice la herramienta eléctrica, los accesorios, útiles, etc., de acuerdo con estas instrucciones. Para ello, tenga en cuenta las condiciones de trabajo y la tarea que se va a realizar.** El uso de herramientas eléctricas para trabajos diferentes de aquellos para los que han sido concebidas puede resultar peligroso.

5.1.5 Servicio técnico

- a) **Solicite que un profesional lleve a cabo la reparación de su herramienta eléctrica y que utilice exclusivamente piezas de repuesto originales.** Solamente así se mantiene la seguridad de la herramienta eléctrica.

5.2 Indicaciones de seguridad para trabajos de tronzado con discos tronzadores

- a) **La cubierta de protección de la herramienta eléctrica debe colocarse de forma segura y ajustarse**

- de tal manera que se garantice la máxima seguridad, es decir, que el usuario quede expuesto en el menor grado posible al cuerpo de lijado. Tanto el usuario como las personas que se encuentren a su alrededor deben mantenerse alejadas de los discos lijadores en movimiento. El usuario debe utilizar la cubierta de protección para protegerse contra los fragmentos que puedan desprenderse y contra el contacto accidental con el cuerpo de lijado.
- b) **Utilice únicamente discos tronzaadores sujetos y reforzados o de diamante para su herramienta eléctrica.** El simple hecho de que el accesorio encaje en su herramienta eléctrica no garantiza un uso seguro.
 - c) **La velocidad admisible del útil debe alcanzar, como mínimo, el valor máximo indicado en la herramienta eléctrica.** Los accesorios que giren a una velocidad superior a la autorizada pueden romperse o salir despedidos.
 - d) **Los cuerpos de lijado solamente pueden utilizarse para las aplicaciones de uso recomendadas: Por ejemplo: no lije nunca con la superficie lateral de un disco tronizador.** Los discos tronzaadores están diseñados para arrancar material con el borde. La acción de la fuerza lateral puede romper los cuerpos de lijado.
 - e) **Utilice siempre bridas de apriete no dañadas de tamaño y forma adecuados para los discos lijadores elegidos.** Las bridas apropiadas sirven de soporte para los discos lijadores y reducen el riesgo de rotura de los mismos.
 - f) **No utilice discos lijadores desgastados de herramientas eléctricas de mayores dimensiones.** Los discos lijadores para herramientas eléctricas más grandes no son apropiados para las elevadas velocidades desarrolladas por las herramientas eléctricas de menor tamaño, puesto que podrían romperse.
 - g) **El diámetro exterior y el espesor del útil deben corresponderse con las indicaciones de su herramienta eléctrica.** Los útiles de dimensiones incorrectas no pueden controlarse ni protegerse de forma adecuada.
 - h) **Los discos lijadores y las bridas deben encajar a la perfección en el husillo de lijado de su herramienta eléctrica.** Las herramientas que no se adapten perfectamente al husillo de lijado de la herramienta eléctrica pueden provocar giros irregulares, fuertes vibraciones e incluso la pérdida de control.
 - i) **No utilice discos lijadores dañados. Antes de utilizar la herramienta eléctrica, compruebe si hay indicios de desprendimiento o de agrietamiento en los discos lijadores. En caso de caída, compruebe si la herramienta eléctrica o el disco lijador han resultado dañados y utilice en tal caso un disco lijador no dañado. Después de verificar y utilizar la herramienta, tanto el usuario como las personas que se encuentren a su alrededor deben mantenerse alejadas del disco lijador en movimiento y dejar que la herramienta funcione a máxima velocidad durante un minuto.** Generalmente, los discos lijadores dañados se rompen en el período de prueba.
 - j) **Utilice el equipo de seguridad personal. Utilice protección completa para la cara, protección para los ojos o gafas de protección, en función de la aplicación. Cuando la aplicación lo requiera, utilice mascarilla antipolvo, protección para los oídos, guantes de protección o un delantal especial que le sirva de pantalla frente a pequeñas partículas que puedan desprenderse en los trabajos de lijado.** Utilice protección para los ojos para evitar que penetren materiales extraños que puedan desprenderse en las diferentes aplicaciones. Tanto la mascarilla antipolvo como la mascarilla ligera filtran el polvo que se produce en determinadas aplicaciones. La exposición prolongada a fuertes ruidos puede ocasionar una pérdida de audición.
 - k) **Controle que terceras personas mantengan una distancia de seguridad respecto a su zona de trabajo. Todas las personas que se encuentren en la zona de trabajo deben llevar el equipo de seguridad personal.** Los fragmentos que pueden desprenderse de la pieza de trabajo o las herramientas rotas pueden salir despedidos y provocar lesiones incluso fuera de la zona de trabajo.
 - l) **Sujete la herramienta por las empuñaduras aisladas cuando realice trabajos en los que la herramienta puede entrar en contacto con cables eléctricos ocultos o con el propio cable de la herramienta.** El contacto con los cables conductores puede traspasar la conductividad a las partes metálicas y producir descargas eléctricas.
 - m) **Mantenga el cable de red alejado de las herramientas en movimiento.** Si pierde el control sobre la herramienta, el cable de red puede desconectarse o engancharse y la herramienta en movimiento podría ocasionarle lesiones en las manos o brazos.
 - n) **Nunca guarde la herramienta eléctrica hasta que no se haya detenido por completo.** El útil en movimiento puede entrar en contacto con la superficie de trabajo haciéndole perder el control sobre la herramienta eléctrica.
 - o) **No transporte la herramienta eléctrica en funcionamiento.** Su ropa puede entrar en contacto con la herramienta en movimiento de forma accidental, engancharse con ella e incluso llegar a ocasionarle lesiones.
 - p) **Limpie las rejillas de ventilación de su herramienta eléctrica con regularidad.** El ventilador del motor conduce el polvo aspirado al interior de la carcasa, de modo que una concentración elevada de polvo de metal puede dar lugar a averías eléctricas.
 - q) **No utilice la herramienta eléctrica cerca de materiales inflamables.** Las chispas podrían inflamar dichos materiales.
 - r) **No utilice útiles que requieran refrigerante líquido.** El uso de agua u otros refrigerantes líquidos puede producir descargas eléctricas.

5.3 Descripción del rebote e indicaciones de seguridad correspondientes

El rebote es la reacción inesperada causada por el atascamiento o bloqueo de un disco lijador en funciona-

miento. El atascamiento o bloqueo produce una parada brusca de la herramienta rotatoria. Por ello, una herramienta eléctrica incontrolada se acelera en la dirección de giro opuesta respecto a la posición de bloqueo.

Si, por ejemplo, un disco lijador se atasca o bloquea en una pieza de trabajo, el borde del disco lijador que penetra en la pieza de trabajo puede engancharse y, como consecuencia, romperse o dar lugar a un rebote. El disco lijador avanza hacia el usuario o se aleja de él, según la dirección de giro del disco respecto a la posición de bloqueo. En este caso, los discos lijadores también pueden romperse.

El rebote se debe a un uso incorrecto de la herramienta eléctrica. Puede evitarse cumpliendo las medidas de seguridad pertinentes que se describen a continuación.

- a) **Sujete bien la herramienta eléctrica y mantenga su cuerpo y brazos en una posición que le permita hacer frente a las fuerzas de rebote. Utilice siempre la empuñadura adicional, en caso de existir, para tener el máximo control sobre las fuerzas de rebote o los momentos de retroceso a plena marcha.** Tomar las medidas de precaución adecuadas contribuye a que el operario tenga un control absoluto sobre las fuerzas de rebote y retroceso.
- b) **No coloque nunca la mano cerca de los útiles en movimiento.** La herramienta puede efectuar movimientos bruscos a causa del rebote y alcanzarle la mano.
- c) **Evite traspasar la zona trasera y delantera del disco tronizador.** El rebote empuja la herramienta eléctrica en dirección opuesta al movimiento del disco lijador respecto a la posición de bloqueo.
- d) **Tenga especial cuidado cerca de las esquinas y cantos afilados y evite que los útiles reboten o se enganchen con la pieza de trabajo.** La herramienta en movimiento tiende a engancharse con las esquinas o cantos afilados en caso de rebote. Ello puede comportar la pérdida de control o el rebote de la herramienta.
- e) **No utilice ninguna hoja de sierra de cadena o dentada ni tampoco discos de diamante segmentados con ranuras superiores a 10 mm.** Estos útiles a menudo ocasionan el rebote o la pérdida de control de la herramienta eléctrica.
- f) **Evite el bloqueo del disco tronizador y una presión de apriete demasiado alta. No realice cortes excesivamente profundos.** La sobrecarga de los discos tronizadores aumenta el desgaste y la tendencia al atascamiento o bloqueo y, con ello, la posibilidad de rebote o rotura del disco lijador.
- g) **Si el disco tronizador se atasca o el trabajo se interrumpe, desconecte la herramienta y espere a que el disco deje de girar. Nunca extraiga el disco tronizador de la herramienta antes de que se haya detenido por completo; en caso contrario, podría producirse un rebote.** Detecte la causa del atascamiento y subsane el problema.
- h) **No vuelva a conectar la herramienta eléctrica hasta que ésta no se encuentre en la pieza de trabajo. Deje que el disco tronizador alcance su máxima velocidad antes de continuar con el corte y**

proceda con el máximo cuidado. En caso contrario, el disco puede engancharse, soltarse bruscamente de la pieza de trabajo o rebotar.

- i) **Sujete las placas o las piezas de trabajo grandes para evitar el efecto rebote inducido por discos tronizadores atascados.** Las piezas de trabajo grandes pueden doblarse por su propio peso. La pieza de trabajo debe hallarse sostenida por ambos lados del disco, tanto cerca del corte de separación como en la esquina.
- j) **Preste especial atención al realizar un «corte por inmersión» en paredes o en áreas ocultas.** Los discos tronizadores pueden provocar un rebote al cortar conductos de gas o agua, cables eléctricos u otros objetos.

5.4 Indicaciones de seguridad adicionales

5.4.1 Seguridad de personas

- a) **Utilice únicamente discos tronizadores autorizados para su herramienta eléctrica y la cubierta protectora indicada para estos discos.** Los discos tronizadores cuyo uso no está previsto para esta herramienta no pueden protegerse de forma apropiada y, como consecuencia, no son seguros.
- b) **En modo manual, sujete siempre la herramienta con ambas manos por las empuñaduras previstas. Mantenga las empuñaduras secas, limpias y sin residuos de aceite o grasa.**
- c) **Si existe riesgo de dañar cables eléctricos cubiertos o el cable de red con la herramienta, sujete la herramienta por las superficies de la empuñadura provistas con aislante.** El contacto con cables eléctricos puede cargar de electricidad las partes metálicas del aparato que no cuentan con protección y el usuario queda expuesto así a un riesgo de descargas eléctricas.
- d) **Si la herramienta se utiliza sin un sistema de aspiración de polvo, debe utilizar una mascarilla ligera al realizar trabajos que generen polvo. Cierre la cubierta sobre el racor de aspiración.**
- e) **Efectúe pausas durante el trabajo, así como ejercicios de relajación y estiramiento de los dedos para mejorar la circulación.**
- f) **No toque las piezas en movimiento. No conecte la herramienta fuera de la zona de trabajo.** Tocar piezas en movimiento, en especial herramientas rotativas, puede ocasionar lesiones.
- g) **Retire siempre hacia atrás el cable eléctrico y el alargador durante el trabajo.** De esta forma se evita el peligro de tropiezo por culpa del cable.
- h) **Para tronzar en superficies metálicas debe utilizar una cubierta de protección. Cierre la cubierta sobre el racor de aspiración.**
- i) **Durante el proceso de taladrado proteja la zona opuesta al lugar donde se realiza el trabajo, ya que pueden desprenderse cascotes y causar heridas a otras personas.**
- j) **Es conveniente advertir a los niños de que no deben jugar con la herramienta.**

- k) **La herramienta no es apta para el uso por parte de niños o de personas físicamente no preparadas que no tengan la debida instrucción.**
- l) **No utilice la herramienta si arranca con dificultad o de forma brusca.** Es posible que el sistema electrónico esté defectuoso. Encargue de inmediato la reparación de la herramienta al servicio técnico de Hilti.
- m) **ADVERTENCIA: ciertos tipos de polvo que se producen al realizar trabajos de desbarbado, lijado, tronzado y taladrado, contienen sustancias químicas, conocidas por provocar cáncer, que ocasionan malformaciones en el feto, esterilidad, problemas en las vías respiratorias y otras lesiones.** Entre estas sustancias químicas se encuentran el plomo de la pintura de plomo, el cuarzo cristalino derivado de ladrillos secos, hormigón, mampostería o piedras naturales, o el arsénico y el cromo derivados de la madera de construcción tratada con productos químicos. El nivel de riesgo varía dependiendo de la frecuencia con la que se realizan estos trabajos. **Para reducir los efectos de estas sustancias químicas, tanto el usuario como terceras personas deben trabajar en espacios con buena ventilación y usar siempre equipos de seguridad autorizados. Utilice una mascarilla adecuada para determinados tipos de polvo, que pueda filtrar además partículas microscópicas y mantenga alejado el polvo de la cara y el cuerpo. Evite un contacto prolongado con el polvo. Utilice prendas protectoras y lave con agua y jabón las partes de su cuerpo que hayan estado en contacto con el polvo.** La penetración de partículas de polvo a través de la boca, nariz u ojos y el contacto prolongado del polvo con la piel puede provocar la absorción de sustancias químicas perjudiciales para la salud.

5.4.2 Manipulación y utilización segura de las herramientas eléctricas

- a) **Los discos tronzadores tienen que ser almacenados, manipulados y colocados con cuidado según las indicaciones del fabricante.**
- b) **Asegúrese de utilizar capas intermedias en caso de que estas vengan incluidas con los discos tronzadores o que se requiera su utilización.**
- c) **Asegure la pieza de trabajo. Utilice dispositivos de sujeción o un tornillo de banco para sujetar la pieza de trabajo.** De esta forma estará sujeta de modo más seguro que con la mano y, por otro lado, se podrán mantener libres ambas manos para el manejo de la herramienta.
- d) **Compruebe antes de su uso que el disco tronzador esté bien colocado y sujeto y, a continuación, deje funcionar la herramienta en ralentí durante 30 segundos en una posición segura. Desconecte inmediatamente la herramienta si se producen fuertes oscilaciones o se detectan otras deficiencias en el funcionamiento. En caso de producirse esta situación, compruebe todo el sistema para determinar la causa.**

- e) **Procure que las chispas producidas durante la utilización de la herramienta no provoquen ninguna situación de peligro, por ejemplo, que le alcancen directamente a usted o a otras personas. Para ello coloque la cubierta de protección correctamente.**
- f) **Las grietas en paredes portantes u otras estructuras pueden influir en la estática, especialmente al seccionar hierro reforzador o elementos portadores. Antes de comenzar a trabajar consulte con el ingeniero, arquitecto o persona responsable de la obra.**
- g) **Evite ladear la herramienta; para ello, deslícela con cuidado y haciendo siempre cortes rectos. No está permitido cortar curvas.**
- h) **Dirija la herramienta de forma uniforme y sin aplicar presión lateral sobre el disco tronzador. Coloque siempre la herramienta en ángulo recto sobre la pieza. Durante el tronzado, no aplique presión lateral sobre el disco tronzador ni lo doble para no modificar la dirección de corte.** De lo contrario, existe riesgo de romper o dañar el disco tronzador.

5.4.3 Seguridad eléctrica



- a) **Compruebe antes de empezar a trabajar si la zona de trabajo oculta cables eléctricos, tuberías de gas o cañerías de agua, por ejemplo, con un detector de metales.** Las partes metálicas exteriores de la herramienta pueden conducir electricidad si, por ejemplo, se ha dañado accidentalmente una conducción eléctrica. Esto conlleva un peligro grave de descarga eléctrica.
- b) **Compruebe con regularidad el cable de conexión de la herramienta y, en caso de que presentara daños, encargue su sustitución a un profesional experto en la materia. Si el cable de conexión de la herramienta eléctrica está dañado, debe reemplazarse por un cable especial que encontrará en nuestro servicio posventa. Inspeccione regularmente los alargadores y sustitúyalos en caso de que estuvieran dañados. Si se daña el cable de red o el alargador durante el trabajo, evite tocar el cable. Extraiga el enchufe de red de la toma de corriente. Los cables de conexión y los alargadores dañados son un peligro porque pueden ocasionar una descarga eléctrica.**
- c) **Encargue la revisión de la herramienta al servicio técnico en caso de tratar con frecuencia materiales conductores a intervalos regulares.** El polvo adherido a la superficie de la herramienta, sobre todo el de los materiales conductivos, o la humedad pueden provocar descargas eléctricas bajo condiciones desfavorables.
- d) **Al trabajar con una herramienta eléctrica al aire libre, asegúrese de que la herramienta esté conectada mediante un interruptor de corriente de defecto (GFCI) con un máximo de 30 mA de corriente**

de activación a la red eléctrica. El uso de un interruptor de corriente de defecto reduce el riesgo de una descarga eléctrica.

- e) **Se recomienda en principio la utilización de un interruptor de corriente de defecto (GFCI) con una corriente de desconexión máxima de 30 mA.**

5.4.4 Lugar de trabajo

Procure que haya una buena ventilación del lugar de trabajo. Los lugares de trabajo mal ventilados pueden perjudicar la salud debido a la carga de polvo.

5.4.5 Equipo de seguridad personal



El usuario y las personas que se encuentren en las inmediaciones de la zona de uso de la herramienta deberán llevar gafas protectoras, casco de protección, protección para los oídos, guantes de protección y una mascarilla ligera homologados según la norma ANSI Z87.1.

es

6 Puesta en servicio



ADVERTENCIA

Antes de efectuar un montaje o cambio en la herramienta, se debe desconectar el enchufe de red de la toma de corriente y se debe asegurar que el disco tronzador/husillo está completamente parado.

PRECAUCIÓN

La tensión de alimentación debe coincidir con los datos que aparecen en la placa de identificación. La herramienta no debe estar conectada a la corriente eléctrica.

PRECAUCIÓN

Póngase guantes de protección, especialmente al cambiar los discos, ajustar la cubierta de protección y montar el tope de profundidad.

6.1 Protección

ADVERTENCIA

No utilice nunca la herramienta sin cubierta de protección.

INDICACIÓN

En caso de que el apriete de la cubierta de protección sea reducido, puede aumentarlo apretando ligeramente el tornillo de apriete.

6.1.1 Montaje y ajuste de la cubierta de protección 5

1. Extraiga el enchufe de red de la toma de corriente.
2. Afloje el tornillo de apriete con la llave de hexágono interior.
3. Coloque la cubierta de protección en el cuello del engranaje.
4. Gire la cubierta a la posición deseada.

5. Apriete el tornillo de apriete con la llave de hexágono interior.

6.1.2 Desmontaje de la cubierta de protección

1. Extraiga el enchufe de red de la toma de corriente.
2. Afloje el tornillo de apriete con la llave de hexágono interior.
3. Gire la cubierta de protección y retírela.

6.2 Tope de profundidad (opcional)

PELIGRO

El tope de profundidad sólo se debe utilizar para trabajar en superficies minerales con discos tronzadores de diamante.

6.2.1 Montaje/desmontaje del tope de profundidad 4

1. Extraiga el enchufe de red de la toma de corriente.
2. Para el montaje, sujete el gancho al eje de los rodillos de guía.
3. Gire el ventilador colocándolo en la cubierta de protección hasta que el encastre encaje de forma audible.
4. Para efectuar el desmontaje, haga presión sobre el encastre y gire el ventilador sacándolo de la cubierta de protección.

6.2.2 Ajuste de la profundidad de corte en el tope de profundidad

1. Presione el pasador de ajuste.
2. Desplace el pasador de ajuste con la marca hasta la profundidad de corte deseada.

6.3 Montaje del disco tronzador

PELIGRO

Utilice únicamente la brida métrica y la llave de mandril incluidas en el volumen de suministro.

PRECAUCIÓN

Utilice únicamente herramientas tronzadoras cuya velocidad admisible sea como mínimo tan elevada como la velocidad máxima de giro de la herramienta.

PRECAUCIÓN

No deben utilizarse herramientas tronzadoras que presenten daños, vibraciones o un funcionamiento excéntrico.

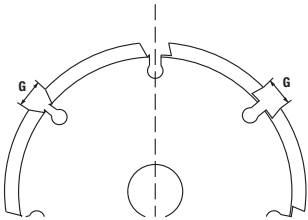
PRECAUCIÓN

No utilice discos tronzadores de aglomerado con resina sintética una vez superada su fecha de caducidad.

INDICACIÓN

Con esta herramienta se deben utilizar discos tronzadores de diamante de acuerdo con las disposiciones de la norma ANSI B7.1. Opcionalmente, también se pueden usar discos tronzadores de aglomerado con resina sintética y reforzado con fibra según ANSI B7.1 (forma recta, no acodada, modelo cutting-off wheel) para trabajar en capas metálicas. Siempre se debe utilizar el portaútiles adecuado DCH 300 ABR (véanse los accesorios) para la herramienta. Tenga en cuenta también las indicaciones de montaje del fabricante de los discos tronzadores.

6.3.1 Montaje del disco tronzador de diamante



La anchura de la ranura G entre los segmentos no debe ser mayor de 10 mm ($\frac{3}{8}$ ""). El grosor del disco no debe exceder el valor máximo de 3,5 mm ($\frac{1}{8}$ "").

La brida intercambiable $\varnothing 60$ mm debe emplearse de forma alternativa para discos tronzadores con un diámetro interior de 22,2 mm ($\frac{7}{8}$ "") o para discos tronzadores con un diámetro interior de 25,4 mm (1"). Verifique cuál es el lado de la brida intercambiable acorde con el diámetro interior del disco tronzador que va a utilizar. La brida debe centrar el disco tronzador.

1. Extraiga el enchufe de red de la toma de corriente.
2. Limpie la brida de apriete y la tuerca de apriete.
3. Coloque la brida intercambiable $\varnothing 60$ mm con el lado correcto sobre el husillo de forma que este no se pueda girar.
4. Coloque el disco tronzador de diamante sobre la brida intercambiable.
5. Coloque la brida de apriete $\varnothing 60$ mm y la tuerca de apriete.

6. **PRECAUCIÓN El botón de bloqueo del husillo sólo se puede accionar si el husillo está parado.** Pulse y mantenga pulsado el botón de bloqueo del husillo.
7. Apriete la tuerca de apriete con la llave de mandril y a continuación suelte el botón de bloqueo del husillo.
8. Asegúrese de que el botón de bloqueo del husillo vuelva a quedar desenganchado.

6.3.2 Montaje del disco tronzador de aglomerado con resina sintética y reforzado con fibra (opcional)

PRECAUCIÓN

Al usar discos tronzadores de aglomerado con resina sintética y reforzado con fibra, no aplique bridas de menos de $\varnothing 80$ mm.

La brida intercambiable $\varnothing 80$ mm debe emplearse de forma alternativa para discos tronzadores con un diámetro interior de 22,2 mm ($\frac{7}{8}$ "") o para discos tronzadores con un diámetro interior de 25,4 mm (1"). Verifique cuál es el lado de la brida intercambiable acorde con el diámetro interior del disco tronzador que va a utilizar. La brida debe centrar el disco tronzador.

1. Extraiga el enchufe de red de la toma de corriente.
2. Limpie la brida de apriete y la tuerca de apriete.
3. Coloque la brida intercambiable $\varnothing 80$ mm con el lado correcto sobre el husillo de forma que este no se pueda girar.
4. Coloque el disco tronzador de diamante sobre la brida intercambiable.
5. Coloque la brida de apriete $\varnothing 80$ mm y la tuerca de apriete.
6. **PRECAUCIÓN El botón de bloqueo del husillo sólo se puede accionar si el husillo está parado.** Pulse y mantenga pulsado el botón de bloqueo del husillo.
7. Apriete la tuerca de apriete con la llave de mandril y a continuación suelte el botón de bloqueo del husillo.
8. Asegúrese de que el botón de bloqueo del husillo vuelva a quedar desenganchado.

6.4 Desmontaje de los discos tronzadores

Para desmontar los discos tronzadores, realice en orden inverso el procedimiento descrito.

6.5 Almacenamiento y transporte de los discos tronzadores

PRECAUCIÓN

Después del uso, extraiga el disco tronzador de la herramienta. En caso de transportarla con el disco montado, este se puede dañar.

PRECAUCIÓN

Almacene los discos tronzadores atendiendo a las recomendaciones del fabricante. Un almacenaje inadecuado puede provocar daños en los discos.

7 Manejo



PELIGRO

Sujete la herramienta por las empuñaduras aisladas cuando realice trabajos en los que la herramienta puede entrar en contacto con cables eléctricos ocul-tos o con el propio cable de la herramienta. El contacto con los cables conductores puede traspasar la conduc-tividad a las partes metálicas y producir descargas eléc-tricas.

ADVERTENCIA

No utilice la herramienta si arranca con dificultad o de forma brusca. Es posible que el sistema electrónico esté defectuoso. Encargue de inmediato la reparación de la herramienta al servicio técnico de Hilti.

PRECAUCIÓN

La herramienta y el proceso de tronzado generan ruido. **Utilice protección para los oídos.** Un ruido demasiado potente puede dañar los oídos.

PRECAUCIÓN

Durante el tronzado se pueden desprender astillas peli-grosas. El material que sale disparado puede ocasionar lesiones en los ojos y en el cuerpo. **Utilice protección para los ojos y casco de protección.**

PRECAUCIÓN

La dirección de avance es importante. La herramienta siempre se debe guiar sobre la superficie con los rodillos por delante. De lo contrario, existe riesgo de rebote.

ADVERTENCIA

La tensión de alimentación debe coincidir con los datos que aparecen en la placa de identificación de la herramienta.

PRECAUCIÓN

El uso puede hacer que el disco tronzador y otros compo-nentes de la herramienta se calienten. Por consiguiente, puede quemarse las manos. **Utilice guantes de protec-ción. Sujete la herramienta sólo por las empuñaduras previstas para ello.**

PRECAUCIÓN

Fije las piezas de trabajo sueltas con un dispositivo de sujeción o un tornillo de banco.

ADVERTENCIA

Las grietas en paredes portantes u otras estructuras pueden influir en la estática, especialmente al seccio-nar hierro reforzador o elementos portadores. **Antes de comenzar a trabajar consulte con el ingeniero, arqui-tecto o persona responsable de la obra.**

7.1 Procedimiento de trabajo con la herramienta

Asegúrese de que la parte cerrada de la cubierta protec-tora esté dirigida siempre hacia el cuerpo del usuario. Adapte la posición de la cubierta de protección a cada tipo de tarea de tronzado.

7.2 Protección antirrobo TPS (opcional)

INDICACIÓN

Si se desea, la herramienta puede equiparse con la fun-ción de "protección antirrobo". Si la herramienta está equipada con esta función, necesitará la llave de activa-ción correspondiente para activarla y manejarla.

7.2.1 Activación de la herramienta

1. Inserte el enchufe de red de la herramienta en la toma de corriente. El diodo amarillo de la protección antirrobo parpadea. La herramienta está lista para recibir la señal de la llave de activación.
2. Acerque la llave de activación directamente al sím-bolo del cerrojo. En cuanto se apague el diodo amarillo de la protección antirrobo, la herramienta estará activada.

INDICACIÓN Si se interrumpe la alimentación eléc-trica, por ejemplo al cambiar de lugar de trabajo o al producirse un corte en la red eléctrica, la operati-vidad de la herramienta se mantiene durante aprox. 20 minutos. En caso de interrupciones más prolon-gadas, la herramienta debe activarse mediante la llave de activación.

7.2.2 Activación de la función de protección antirrobo para la herramienta

INDICACIÓN

Para una información más detallada acerca de la acti-vación y aplicación de la protección antirrobo, consulte "Protección antirrobo" en el manual de instrucciones.

7.3 Conexión

1. Inserte el enchufe de red en la toma de corriente.
2. Sujete siempre la herramienta con ambas manos por las empuñaduras previstas.
3. Desbloquee el interruptor de conexión y desconeción accionando el bloqueo de conexión.
4. Pulse el interruptor de conexión/desconexión.
5. Vuelva a sujetar la empuñadura trasera con el pulgar.

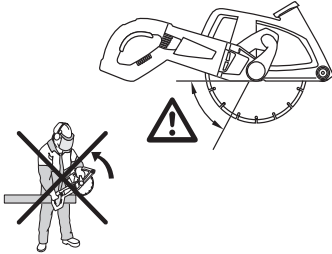
es

7.4 Desconexión

Suelte el interruptor de conexión y desconexión. La herramienta se para al soltar el interruptor de conexión y desconexión. Se activa de nuevo el bloqueo de conexión.

7.5 Procedimiento de trabajo con discos tronzaadores

ES



PELIGRO

Evite que la herramienta toque la superficie por la zona marcada debido al riesgo de rebote.

PELIGRO

A ser posible, coloque primero los rodillos sobre la pieza antes de cortar. Tenga especial cuidado en caso de que esto no sea posible o si coloca el disco tronzaador en un corte ya existente.

1. Al tronzar materiales minerales, coloque la herramienta con los rodillos de guía sobre la superficie.
2. Haga funcionar la herramienta a la velocidad máxima.

8 Cuidado y mantenimiento

PRECAUCIÓN

Extraiga el enchufe de red de la toma de corriente.

8.1 Cuidado de la herramienta

PELIGRO

En condiciones de uso extremas al tratar metales puede depositarse polvo conductor en el interior de la herramienta. El aislamiento de protección de la herramienta podría verse afectado. **En estos casos se recomienda el uso de un dispositivo de aspiración estacionario, una limpieza profunda de las rejillas de ventilación y la conexión de un interruptor de corriente de defecto (GFCI).**

8.2 Indicador de funcionamiento

INDICACIÓN

La herramienta está equipada con un indicador de funcionamiento.

3. Haciendo presión sobre la herramienta, hunda lentamente el disco tronzaador en el material. Esto garantiza que la cubierta recoja las partículas desprendidas y las chispas y las dirija al sistema de aspiración.

INDICACIÓN Trabaje con un avance moderado, adecuado al tipo de material que esté tratando.

INDICACIÓN Con superficies minerales especialmente duras, como por ejemplo hormigón con un alto porcentaje de guijarros, el disco tronzaador de diamante se puede sobrecalentar y, por consiguiente, dañar. Esto se aprecia claramente en que se desprenden chispas en todo el perímetro del disco tronzaador de diamante. En este caso, se debe interrumpir el tronzado y dejar la herramienta en marcha en vacío sin carga para que el disco se enfríe.

Si se aprecia que cada vez se avanza menos en el trabajo, puede significar que los segmentos de diamante están romos (pulido de los segmentos). Estos se pueden afilar haciendo cortes en material abrasivo (placa de afilado o Hilti o piedra arenisca calcárea abrasiva).

7.6 Tratamiento de superficies minerales con un aspirador de polvo adecuado

INDICACIÓN

Para reciclar el material absorbido lea las instrucciones del aspirador.

Es posible trabajar sin polvo si se utiliza un aspirador de polvo adecuado (como el Hilti VCD 50). El uso de un aspirador de polvo sirve, entre otros aspectos, para refrigerar los segmentos, reduciendo así su desgaste. Para evitar efectos electrostáticos, utilice un aspirador de polvo equipado con manguera antiestática.

Tanto la carcasa exterior del motor como las empuñaduras están hechas de un tipo de plástico resistente a los golpes. Las partes de sujeción están cubiertas en parte con un elastómero.

No utilice nunca la herramienta si ésta tiene obstruidas las ranuras de ventilación. Limpie cuidadosamente las rejillas de ventilación con un cepillo seco. Evite que se introduzcan cuerpos extraños en el interior de la herramienta. Limpie regularmente el exterior de la herramienta con un paño ligeramente humedecido. No utilice pulverizadores, aparatos de chorro de vapor o agua corriente para la limpieza, ya que podría mermar la seguridad eléctrica de la herramienta. Mantenga siempre las empuñaduras de la herramienta sin residuos de aceite y grasa. No utilice productos de limpieza que contengan silicona.

Indicador	se enciende en rojo	Se ha agotado el tiempo de funcionamiento para un servicio. Desde el momento en que se enciende este indicador, se puede continuar trabajando durante algunas horas hasta que se activa la desconexión automática. Lleve puntualmente la herramienta al servicio técnico de Hilti para que esté siempre preparada.
	parpadea en rojo	Véase el capítulo Localización de averías.

8.3 Mantenimiento

ADVERTENCIA

La reparación de los componentes eléctricos sólo puede llevarla a cabo un técnico electricista cualificado.

Compruebe regularmente que ninguna de la partes exteriores de la herramienta esté dañada y que todos los elementos de manejo se encuentren en perfecto estado de funcionamiento. No use la herramienta si alguna de las

piezas está dañada o si alguno de los elementos de manejo no funciona correctamente. Encargue la reparación de la herramienta al servicio técnico de Hilti.

8.4 Control después de las tareas de cuidado y mantenimiento

Una vez realizadas las tareas de cuidado y mantenimiento debe comprobarse si están colocados todos los dispositivos de protección y si estos funcionan correctamente.

9 Localización de averías

Fallo	Posible causa	Solución
La herramienta no se pone en marcha.	El suministro de corriente se interrumpe.	Enchufe otra herramienta eléctrica y compruebe si funciona.
	Cable de red o enchufe defectuosos.	Encargue la revisión a un técnico cualificado y su sustitución en caso necesario.
	La herramienta no está activada (opcional en herramientas con protección antirrobo).	Active la herramienta con la llave de activación.
	Interruptor de conexión y desconexión defectuoso.	Encargue la reparación de la herramienta al servicio técnico de Hilti.
	La herramienta está sobrecargada (límites de aplicación superados).	Seleccione el útil adecuado para la aplicación.
	La protección contra sobrecalentamiento está activa.	Deje que la herramienta se enfríe. Limpie las rejillas de ventilación.
	Otros fallos eléctricos.	Encargue la revisión a un técnico cualificado.
	El bloqueo de arranque electrónico permanece activo después de una interrupción de la alimentación de corriente.	Desconecte la herramienta y vuelva a conectarla.
La herramienta no desarrolla toda la potencia.	Alargador con sección insuficiente.	Utilice un alargador con sección suficiente. (Véase Puesta en servicio)
La herramienta no se pone en marcha y el indicador de funcionamiento parpadea en rojo.	Existe un fallo en la herramienta.	Encargue la reparación de la herramienta al servicio técnico de Hilti.
La herramienta no se pone en marcha y el indicador de funcionamiento se enciende en rojo.	Carbón desgastado.	Encargue la revisión a un técnico cualificado y su sustitución en caso necesario.

Fallo	Posible causa	Solución
La herramienta no se pone en marcha y el indicador de protección antirrobo parpadea en amarillo.	La herramienta no está activada (opcional en herramientas con protección antirrobo).	Active la herramienta con la llave de activación.

10 Reciclaje

es



Las herramientas Hilti están fabricadas en su mayor parte con materiales reutilizables. La condición para dicha reutilización es una separación de materiales adecuada. En muchos países, Hilti ya dispone de un servicio de recogida de la herramienta usada. Póngase en contacto con el servicio de atención al cliente de Hilti o con su asesor de ventas.

11 Garantía del fabricante de las herramientas

Hilti garantiza la herramienta suministrada contra todo fallo de material y de fabricación. Esta garantía se otorga a condición de que la herramienta sea utilizada, manejada, limpiada y revisada en conformidad con el manual de instrucciones de Hilti, y de que el sistema técnico sea salvaguardado, es decir, que se utilicen en la herramienta exclusivamente consumibles, accesorios y piezas de recambio originales de Hilti.

Esta garantía abarca la reparación gratuita o la sustitución sin cargo de las piezas defectuosas durante toda la vida útil de la herramienta. La garantía no cubre las piezas sometidas a un desgaste normal.

Quedan excluidas otras condiciones que no sean las expuestas, siempre que esta condición no sea contraria a las prescripciones nacionales vigentes.

Hilti no acepta la responsabilidad especialmente en relación con deterioros, pérdidas o gastos directos, indirectos, accidentales o consecutivos, en relación con la utilización o a causa de la imposibilidad de utilización de la herramienta para cualquiera de sus finalidades. Quedan excluidas en particular todas las garantías tácitas relacionadas con la utilización y la idoneidad para una finalidad precisa.

Para toda reparación o recambio, les rogamos que envíen la herramienta o las piezas en cuestión a la dirección de su organización de venta Hilti más cercana inmediatamente después de la constatación del defecto.

Estas son las únicas obligaciones de Hilti en materia de garantía, las cuales anulan toda declaración anterior o contemporánea, del mismo modo que todos los acuerdos orales o escritos en relación con las garantías.

Sistema de corte diamantado DCH 300

Antes de utilizar a ferramenta, por favor leia atentamente o manual de instruções.

Conserve o manual de instruções sempre junto da ferramenta.

Entregue a ferramenta a outras pessoas apenas juntamente com o manual de instruções.

Índice	Página
1 Informação geral	45
2 Descrição	46
3 Acessórios, consumíveis	49
4 Características técnicas	49
5 Normas de segurança	49
6 Antes de iniciar a utilização	54
7 Utilização	56
8 Conservação e manutenção	57
9 Avarias possíveis	58
10 Reciclagem	59
11 Garantia do fabricante - Ferramentas	59

1 Estes números referem-se a figuras. Estas encontram-se nas contracapas desdobráveis. Ao ler as instruções, mantenha as contracapas abertas. Neste manual de instruções, a palavra «ferramenta» refere-se sempre ao sistema de corte diamantado DCH 300.

Comandos operativos e elementos de indicação **1**

- ① Botão de bloqueio do veio
- ② Punho dianteiro
- ③ Interruptor on/off

- ④ Dispositivo de bloqueio
- ⑤ Disco de corte diamantado
- ⑥ Veio
- ⑦ Resguardo do disco
- ⑧ Rolos de guia
- ⑨ Chaves de aperto n.º 24/ 10
- ⑩ Chave para sextavado interior n.º 6
- ⑪ Parafuso de aperto para resguardo de disco
- ⑫ Tampa do tubo de remoção do pó
- ⑬ Indicador de manutenção
- ⑭ Indicador de protecção anti-roubo (opcional)

Sistema de encaixe DCH 300 para discos de corte diamantados **2**

- ⑮ Falange de inversão Ø60 mm
- ⑯ Falange de aperto Ø60 mm
- ⑰ Porca tensora M16 x 1,5

Sistema de encaixe DCH 300 para discos de corte diamantados de resina sintética reforçada a fibra (opcional) **3**

- ⑱ Falange de inversão Ø80 mm
- ⑲ Disco de corte de resina sintética reforçada a fibra Ø300 mm (12")
- ⑳ Falange de aperto Ø80 mm
- ㉑ Porca tensora M16 x 1,5

Limitador de profundidade (opcional) **4**

- ㉒ Leque
- ㉓ Gancho
- ㉔ Detentor
- ㉕ Corrediça da profundidade de corte
- ㉖ Escala de profundidades de corte

1 Informação geral

1.1 Indicações de perigo e seu significado

PERIGO

Indica perigo iminente que pode originar acidentes pessoais graves ou até mesmo fatais.

AVISO

Indica uma situação potencialmente perigosa que pode causar graves ferimentos pessoais, até mesmo fatais.

CUIDADO

Indica uma situação potencialmente perigosa que pode originar ferimentos ligeiros ou danos na ferramenta ou noutros materiais.

NOTA

Indica instruções ou outras informações úteis.

1.2 Significado dos pictogramas e outras notas

Sinais de aviso



Perigo geral



Perigo:
electricidade

Sinais de obrigação



Use capacete de segurança



Use óculos de protecção



Use protecção auricular



Use luvas de protecção



Calce botas de segurança



Use máscara antipoeiras

Símbolos



Leia o manual de instruções antes de utilizar a ferramenta.



Recicle os desperdícios

A

Ampere

V

Volt



Corrente alternada

/min

Rotações por minuto

RPM

Rotações por minuto



Diâmetro

n

Velocidade nominal



com duplo isolamento

Localização da informação na ferramenta

A designação e o número de série da ferramenta constam da placa de características. Anote estes dados no seu manual de instruções e faça referência a estas indicações sempre que necessitar de qualquer peça/acessório para a ferramenta.

Tipo:

Número de série:

2 Descrição

2.1 Utilização correcta

O DCH 300 é um sistema de corte diamantado de alimentação eléctrica para utilização profissional em obras. Esta ferramenta está indicada para cortar materiais base de origem mineral com discos de corte diamantados sem a utilização de água.

Deve utilizar um aspirador equipado com filtro adequado (por exemplo, o aspirador Hilti VCD 50) ao cortar materiais base de origem mineral.

Utilize um aspirador com mangueira antiestática para evitar efeitos electrostáticos.

Utilize apenas discos de corte diamantados com uma velocidade periférica permitida de pelo menos 80 m/s (16 000 ft/min).

A ferramenta deve ser operada exclusivamente no sentido contrário ao do movimento de rotação.

É proibido trabalhar com líquidos, por exemplo para a refrigeração do disco ou para a redução do pó.

Não utilize a ferramenta para trabalhos de corte com acessórios para os quais não foram concebidos (por exemplo, lâminas de serra circular) nem para desbastar ou rebarbar.

Como opção, a ferramenta também pode ser utilizada com discos de corte de resina sintética reforçada a fibra para cortar materiais base de origem metálica. Utilize para tal apenas discos de corte de resina sintética reforçada a fibra com uma velocidade periférica permitida de pelo menos 80 m/s (16 000 ft/min).

A ferramenta é apropriada para trabalhar em obra, em oficina, em trabalhos de renovação, reconstrução e construção de raiz.

Para evitar ferimentos/danos, use apenas acessórios e equipamento auxiliar Hilti.

Observe igualmente as instruções de utilização e segurança dos acessórios.

Leia as instruções contidas neste manual sobre utilização, conservação e manutenção da ferramenta.

A ferramenta foi concebida para uso profissional e só deve ser utilizada, feita a sua manutenção e reparada por pessoal autorizado e devidamente credenciado. Estas pessoas deverão ser informadas sobre os potenciais perigos que a ferramenta representa. A ferramenta e seu equipamento auxiliar podem representar perigo se usados incorrectamente por pessoas não qualificadas ou se usados para fins diferentes daqueles para os quais foram concebidos.

A ferramenta só deve ser utilizada em ambiente seco.

Certifique-se de que a corrente eléctrica à qual a ferramenta é ligada está de acordo com a mencionada na placa de características.

Não utilize a ferramenta onde exista o risco de incêndio ou de explosão.

Materiais nocivos para a saúde (p.ex., amianto) não podem ser trabalhados.

Não é permitida a modificação ou manipulação da ferramenta.

pt

2.2 Interruptor

Interruptor on/off com dispositivo de bloqueio

2.3 Regulação da corrente de arranque

A corrente inicial absorvida pela ferramenta é um múltiplo da corrente nominal. O regulador electrónico de corrente reduz a corrente inicial, absorvida pela ferramenta, evitando que o fusível da corrente eléctrica dispare. Garante também que a ferramenta arranque suavemente, sem "coice" inicial.

2.4 Bloqueio de arranque

A ferramenta não volta a arrancar automaticamente após uma interrupção da energia. Primeiro é necessário soltar o interruptor e depois voltar a accioná-lo após 1 segundo, aproximadamente.

2.5 Sistema de protecção anti-roubo TPS (opcional)

A ferramenta está preparada para a instalação da função "Protecção anti-roubo TPS" como opção. Se a ferramenta estiver equipada com esta função, só pode ser activada e preparada para ser utilizada através da respectiva chave de activação.

2.6 Indicadores luminosos

Luz indicadora de manutenção (consultar o capítulo "Conservação e manutenção")

Indicador da protecção anti-roubo (disponível como opção) (consultar o capítulo "Utilização")

2.7 Resguardo de disco com rolos de guia

Trabalhos de corte e abertura de roços em pedra só podem ser executados com um dispositivo de extracção de pó com rolos de guia.

2.8 Protecção electrónica contra sobrecarga

Esta ferramenta possui uma protecção electrónica contra sobrecarga.

Monitorizando a corrente absorvida, o sistema de protecção electrónico contra sobrecarga evita que a ferramenta entre em sobrecarga durante a utilização.

Em caso de sobrecarga do motor devido a excessiva pressão sobre o disco e, consequentemente, consumo excessivo de corrente, a ferramenta desliga o motor.

Depois de solto o interruptor on/off pode continuar-se com o trabalho.

O utilizador pode evitar a desactivação, reduzindo a pressão de contacto.

Deve procurar conseguir-se um processo de trabalho contínuo sem desactivação.

2.9 Utilização de extensões de cabo

Utilize apenas extensões de cabo aprovadas para o tipo de aplicação em causa e com a secção adequada. A inobservância desta recomendação pode resultar numa perda de potência da ferramenta e no sobreaquecimento do cabo. Examine o cabo periodicamente em relação a eventuais danos. Substitua os cabos de extensão danificados.

Secções de cabo mínimas e comprimentos máximos recomendados

Secção do cabo	14 AWG	12 AWG
Tensão de rede 110-120 V	-	125 ft

Não utilize extensões de cabo com secções de 16 AWG.

2.10 Utilização de extensões eléctricas em trabalhos de exterior

Em trabalhos de exterior, utilize apenas extensões de cabo com secção apropriada e correspondentemente indicadas.

2.11 Utilização de um gerador ou transformador

Esta ferramenta pode ser alimentada por um gerador ou transformador se as seguintes condições forem reunidas: potência de saída, em watt, no mínimo o dobro da potência indicada na placa de características da ferramenta, a tensão em carga deverá estar entre os +5 % e os -15 % da tensão nominal e a frequência deverá estar entre os 50 Hz e 60 Hz, mas nunca superior a 65 Hz. Deve utilizar-se um regulador automático de tensão com arrancador.

O gerador ou transformador nunca deve ser usado para alimentar outros equipamentos em simultâneo. Utilize um gerador ou transformador que esteja previsto para ser utilizado com a ferramenta e o aspirador. Ligar outras ferramentas ou dispositivos pode provocar variações na voltagem (falha ou sobrecarga), causando danos na ferramenta.

2.12 Limitador de profundidade (opcional)

A ferramenta pode ser equipada adicionalmente com um limitador de profundidade. Este melhora a aspiração de pó no caso de trabalhos de corte em materiais minerais. Com ajuda da escala de profundidades de corte é possível ajustar a profundidade de corte máxima no limitador de profundidade .

2.13 Incluído no fornecimento do equipamento padrão:

- 1 Ferramenta com resguardo DCH-EX 300
- 1 Falange de inversão Ø60 mm
- 1 Falange de aperto Ø60 mm
- 1 Porca tensora M16 x 1,5
- 1 Chaves de aperto n.º 24/ 10
- 1 Chave para sextavado interior n.º 6
- 1 Caixa de cartão
- 1 Manual de instruções

2.14 Especificação dos discos de corte

A ferramenta deve ser utilizada com discos de corte diamantados de acordo com as disposições da norma ANSI B7.1. Como opção, a ferramenta também poderá utilizar discos de corte de resina sintética reforçada a fibra de acordo com a norma ANSI B7.1 (forma plana, não acotovelada, tipo "cutting-off wheel") para trabalhar materiais base de origem metálica. Neste caso deve utilizar-se para a ferramenta o porta-ferramentas DCH 300 ABR adequado (ver Acessórios). Respeite também as instruções de montagem dos fabricantes dos discos de corte.

3 Acessórios, consumíveis

Designação	Código do artigo, descrição
Porta-ferramentas DCH 300 ABR	212259, flange de inversão Ø80 mm, flange de aperto Ø80 mm, porca tensora M16 x 1,5
Limitador de profundidade para DCH 300	212131
Aspirador da gama de produtos Hilti	
Mangueira completa antiestática	203867, Comprimento 5 m (16,4 ft), Ø36
Mala Hilti	47986

DCH 300

Tipo de disco	Especificação	Material base
Disco de corte diamantado	DCH-D 12" C1	Betão
Disco de corte diamantado	DCH-D 12" C2	Betão duro
Disco de corte diamantado	DCH-D 12" M1	Alvenaria, bloco de arenito calcário
Disco de corte diamantado	DCH-D 12" C10	Betão Economy Line
Disco de corte diamantado	DCH-D 12" M10	Alvenaria Economy Line

4 Características técnicas

Reservamo-nos o direito de proceder a alterações técnicas!

Outras informações sobre a ferramenta	DCH 300
Tensão nominal	120 V
Corrente nominal	20 A
Frequência	60 Hz
Dimensões (C x L x A)	705 mm (27,76") x 240 mm (9,45") x 235 mm (9,25")
Rosca do veio	M 16 x 1,5
Orifício de montagem do disco	25,4 mm (1")
Discos de corte	Ø Máx. 305 mm (12")
Espessura dos discos de corte	Máx. 3,5 mm (1/8")
Peso	9,4 kg (20,72 lb)
Classe de protecção	Classe I de protecção (ligado à terra) ou classe II de protecção (com duplo isolamento), ver placa indicadora de potência
Velocidade nominal de rotação sem carga	Máx. 4 900/min
Torque de aperto para porca tensora	M16 x 1,5: 40...50 Nm (30...37 lb/ft)

5 Normas de segurança

5.1 Normas de segurança gerais para ferramentas eléctricas

a) AVISO

Leia todas as normas de segurança e instruções. O não cumprimento das normas de segurança e instruções pode resultar em choque eléctrico, incêndio e/ou lesões graves. **Guarde bem todas as normas**

de segurança e instruções para futura referência. O termo "ferramenta eléctrica" utilizado nas normas de segurança refere-se a ferramentas com ligação à corrente eléctrica (com cabo de alimentação) ou ferramentas a bateria (sem cabo).

5.1.1 Segurança no posto de trabalho

- a) **Mantenha a sua área de trabalho limpa e bem iluminada.** Locais desarrumados ou mal iluminados podem ocasionar acidentes.
- b) **Não utilize a ferramenta eléctrica em ambientes explosivos ou na proximidade de líquidos ou gases inflamáveis.** Ferramentas eléctricas produzem faíscas que podem provocar a ignição de pó e vapores.
- c) **Mantenha crianças e terceiros afastados durante os trabalhos.** Distrações podem conduzir à perda de controlo sobre a ferramenta.

5.1.2 Segurança eléctrica

- a) **A ficha da ferramenta eléctrica deve servir na tomada. A ficha não deve ser modificada de modo algum. Não utilize quaisquer adaptadores com ferramentas eléctricas com ligação terra.** Fichas originais (não modificadas) e tomadas adequadas reduzem o risco de choque eléctrico.
- b) **Evite o contacto do corpo com superfícies ligadas à terra, como, por exemplo, canos, radiadores, fogões e frigoríficos.** Existe um risco elevado de choque eléctrico se o corpo estiver em contacto com a terra.
- c) **As ferramentas eléctricas não devem ser expostas à chuva nem à humidade.** A infiltração de água numa ferramenta eléctrica aumenta o risco de choque eléctrico.
- d) **Não use o cabo para transportar, arrastar ou desligar a ferramenta eléctrica da tomada. Mantenha o cabo afastado de calor, óleo, arestas vivas ou partes em movimento da ferramenta.** Cabos danificados ou emaranhados aumentam o risco de choque eléctrico.
- e) **Quando operar uma ferramenta eléctrica ao ar livre, utilize apenas cabos de extensão próprios para utilização no exterior.** A utilização de cabos de extensão próprios para exterior reduz o risco de choque eléctrico.
- f) **Utilize um disjuntor diferencial se não puder ser evitada a utilização da ferramenta eléctrica em ambiente húmido.** A utilização de um disjuntor diferencial reduz o risco de choque eléctrico.

5.1.3 Segurança física

- a) **Esteja alerta, observe o que está a fazer, e tenha prudência ao trabalhar com uma ferramenta eléctrica. Não use qualquer ferramenta eléctrica se estiver cansado ou sob a influência de drogas, álcool ou medicamentos.** Um momento de distração ao operar a ferramenta eléctrica pode causar ferimentos graves.
- b) **Use equipamento de segurança. Use sempre óculos de protecção.** Equipamento de segurança, como, por exemplo, máscara antipoeiras, sapatos de segurança antiderrapantes, capacete de segurança ou protecção auricular, de acordo com o tipo e aplicação da ferramenta eléctrica, reduzem o risco de lesões.

- c) **Evite um arranque involuntário. Assegure-se de que a ferramenta eléctrica está desligada antes de a ligar à fonte de alimentação e/ou à bateria, pegar nela ou a transportar.** Transportar a ferramenta eléctrica com o dedo no interruptor ou ligar uma ferramenta à tomada com o interruptor ligado (ON) pode resultar em acidentes.
- d) **Remova quaisquer chaves de ajuste (chaves de fenda), antes de ligar a ferramenta eléctrica.** Um acessório ou chave deixado preso numa parte rotativa da ferramenta pode causar ferimentos.
- e) **Evite posturas corporais desfavoráveis. Mantenha sempre uma posição correcta, em perfeito equilíbrio.** Desta forma será mais fácil manter o controlo sobre a ferramenta eléctrica em situações inesperadas.
- f) **Use roupa apropriada. Não use roupa larga ou jóias. Mantenha o cabelo, vestuário e luvas afastados das peças móveis.** Roupas largas, jóias ou cabelos compridos podem ficar presos nas peças móveis.
- g) **Se podem ser montados sistemas de aspiração e de recolha de pó, assegure-se de que estão ligados e são utilizados correctamente.** A utilização de um sistema de remoção de pó pode reduzir os perigos relacionados com a exposição ao mesmo.

5.1.4 Utilização e manuseamento da ferramenta eléctrica

- a) **Não sobrecarregue a ferramenta. Use para o seu trabalho a ferramenta eléctrica correcta.** Com a ferramenta eléctrica adequada obterá maior eficiência e segurança se respeitar os seus limites.
- b) **Não utilize a ferramenta eléctrica se o interruptor estiver defeituoso.** Uma ferramenta eléctrica que já não possa ser accionada pelo interruptor é perigosa e deve ser reparada.
- c) **Retire a ficha da tomada e/ou remova a bateria antes de efectuar ajustes na ferramenta, substituir acessórios ou guardar a ferramenta eléctrica.** Esta medida preventiva evita o accionamento accidental da ferramenta eléctrica.
- d) **Guarde ferramentas eléctricas não utilizadas fora do alcance das crianças. Não permita que a ferramenta seja utilizada por pessoas não qualificadas ou que não tenham lido estas instruções.** Ferramentas eléctricas operadas por pessoas não treinadas são perigosas.
- e) **Faça uma manutenção regular das ferramentas eléctricas. Verifique se as partes móveis funcionam perfeitamente e não emperram ou se há peças quebradas ou danificadas que possam influenciar o funcionamento da ferramenta eléctrica. Peças danificadas devem ser reparadas antes da utilização da ferramenta.** Muitos acidentes são causados por ferramentas eléctricas com manutenção deficiente.
- f) **Mantenha as ferramentas de corte sempre afiadas e limpas.** Ferramentas de corte com gumes

afiadas tratadas correctamente emperram menos e são mais fáceis de controlar.

- g) **Utilize a ferramenta eléctrica, acessórios, bits, etc., de acordo com estas instruções. Tome também em consideração as condições de trabalho e o trabalho a ser efectuado.** A utilização da ferramenta eléctrica para outros fins além dos previstos, pode ocasionar situações de perigo.

5.1.5 Reparação

- a) **A sua ferramenta eléctrica só deve ser reparada por pessoal qualificado e só devem ser utilizadas peças sobressalentes originais.** Isto assegurará que a segurança da ferramenta eléctrica se mantenha.

5.2 Normas de segurança relativas a trabalhos de corte com discos de corte

- a) **O resguardo de disco pertencente à ferramenta eléctrica tem de estar bem colocado e ajustado de forma a se conseguir o máximo de segurança, ou seja o mínimo possível da parte desprotegida do rebolo deve apontar para o operador. Mantenha-se a si e a pessoas que se encontram nas proximidades fora do plano do disco de corte em rotação.** O resguardo de disco deve proteger o operador de fragmentos e contacto accidental com o rebolo.
- b) **Utilize exclusivamente discos de corte ligados reforçados ou diamantados para a sua ferramenta eléctrica.** O simples facto de poder fixar o acessório na sua ferramenta eléctrica não garante uma utilização segura.
- c) **A velocidade permitida do acessório deve estar dimensionada para, no mínimo, a velocidade máxima que consta na ferramenta eléctrica.** Acessórios que rodam a uma velocidade superior à permitida podem fragmentar-se e ser projectados.
- d) **Rebolos só podem ser utilizados para as possibilidades de aplicação recomendadas. Por exemplo: nunca rebarbe com a superfície lateral de um disco de corte.** Discos de corte destinam-se à abrasão de material com o rebordo do disco. A aplicação lateral de força sobre estes rebolos pode parti-los.
- e) **Utilize sempre falanges de aperto não danificadas, com a dimensão e forma apropriadas para o disco de rebarbar por si escolhido.** Falanges adequadas apoiam o disco de rebarbar e reduzem assim o perigo de um quebra do disco.
- f) **Não utilize discos de rebarbar gastos de ferramentas eléctricas maiores.** Discos de rebarbar para ferramentas eléctricas maiores não estão dimensionados para as velocidades mais elevadas de ferramentas eléctricas mais pequenas, podendo partir-se.
- g) **Diâmetro exterior e espessura do acessório devem corresponder às dimensões especificadas da sua ferramenta eléctrica.** Acessórios mal dimensionados não podem ser suficientemente resguardados ou controlados.
- h) **Discos de rebarbar e falanges devem ajustar-se de forma exacta ao veio da sua ferramenta eléc-**

trica. Acessórios que não se ajustam exactamente ao veio da ferramenta eléctrica rodam de forma irregular, vibram fortemente e podem levar à perda do controlo.

- i) **Não utilize discos de rebarbar danificados. Examine os discos de rebarbar em relação a fragmentos e fissuras antes de cada utilização. Se a ferramenta eléctrica ou o disco de rebarbar cair, verifique se ficou danificada(o) ou utilize um disco de rebarbar intacto. Quando tiver examinado e montado o disco de rebarbar, coloque-se a si e a pessoas que se encontrem nas proximidades fora do plano do disco de rebarbar em rotação e deixe trabalhar a ferramenta durante um minuto à velocidade máxima.** A maioria dos discos de rebarbar danificados quebram-se durante este período de ensaio.
- j) **Use equipamento de segurança. Use máscara protectora integral, guarda-vista ou óculos de protecção consoante a aplicação. Desde que adequado, use máscara antipoeiras, protecção auricular, luvas de protecção ou avental especial para manter pequenas partículas de abrasão e de material afastadas de si.** Os olhos devem ser protegidos de objectos estranhos projectados que são produzidos em diversas aplicações. As máscaras antipoeiras ou respiratórias devem filtrar as poeiras que são produzidas durante a utilização. Se estiver exposto durante muito tempo a ruído intenso, poderá vir a sofrer de perda de audição.
- k) **Assegure-se de que outras pessoas se mantêm afastadas o suficiente da sua zona de trabalho. Cada pessoa que entrar na zona de trabalho tem de usar equipamento de segurança.** Fragmentos da peça a trabalhar ou de acessórios partidos podem ser projectados e provocar ferimentos mesmo para além da zona de trabalho imediata.
- l) **Segure a ferramenta apenas pelas áreas isoladas dos punhos, quando executar trabalhos onde o acessório pode encontrar cabos eléctricos encobertos ou o próprio cabo de rede.** O contacto com um cabo sob tensão também pode colocar partes metálicas da ferramenta sob tensão e causar um choque eléctrico.
- m) **Mantenha o cabo de rede afastado de acessórios em movimento.** Quando perder o controlo sobre a ferramenta, o cabo de rede pode ser cortado ou agarrado e a sua mão ou braço puxado contra o acessório em movimento.
- n) **Nunca pouse a ferramenta eléctrica enquanto o acessório não estiver completamente parado.** O acessório em movimento pode entrar em contacto com a área de colocação, pelo que pode perder o controlo sobre a ferramenta eléctrica.
- o) **Não deixe a ferramenta eléctrica a trabalhar enquanto a transporta.** A sua roupa pode ser agarrada devido a contacto accidental com o acessório em movimento e este perfurar o corpo.
- p) **Limpe regularmente as saídas de ar da sua ferramenta eléctrica.** O ventilador do motor aspira poeiras para dentro da carcaça, podendo originar perigos

de origem eléctrica devido a uma forte acumulação de pós metálicos.

- q) **Não utilize a ferramenta eléctrica na proximidade de materiais inflamáveis.** Fâscas podem inflamar tais materiais.
- r) **Não utilize quaisquer acessórios que exijam líquidos de refrigeração.** A utilização de água ou outros líquidos de refrigeração pode resultar num choque eléctrico.

5.3 Normas de segurança em caso de coice

O coice é a reacção repentina em consequência de um disco de rebarbar preso ou bloqueado. A prisão ou bloqueio ocasiona uma paragem súbita do acessório em movimento. Isto faz com que uma ferramenta eléctrica descontrolada seja acelerada no ponto do bloqueio contra o sentido de rotação do acessório.

Quando, por ex., um disco de rebarbar prende ou fica bloqueado numa peça, o rebordo do disco que mergulha na peça pode encravar-se e o disco fugir ou provocar assim um coice. O disco de rebarbar move-se então no sentido do operador ou afasta-se dele, conforme o sentido de rotação do disco no ponto do bloqueio. Isto também pode levar à quebra dos discos de rebarbar.

Um coice é a consequência de uma utilização incorrecta ou deficiente da ferramenta eléctrica; podendo ser evitado através de precauções adequadas, como as descritas a seguir.

- a) **Agarre bem a ferramenta eléctrica e coloque o seu corpo e os seus braços numa posição em que poderá absorver as forças do coice. Utilize sempre o punho adicional, caso exista, para ter o máximo controlo possível sobre as forças do coice ou os torques de reacção durante o arranque.** O operador pode dominar as forças do coice e de reacção através de precauções adequadas.
- b) **Nunca coloque a sua mão na proximidade de acessórios em movimento.** O acessório pode, em caso de coice, atravessar a sua mão.
- c) **Evite a zona à frente e atrás do disco de corte em movimento.** O coice propuliona a ferramenta eléctrica no sentido oposto ao do movimento do disco de rebarbar no ponto do bloqueio.
- d) **Trabalhe com particular precaução perto de cantos, arestas vivas, etc. Evite que acessórios ressaltem da peça e encravem.** O acessório em movimento tem tendência para se encravar em cantos, arestas vivas ou quando ressalta, o que provoca uma perda de controlo ou coice.
- e) **Não utilize um disco com corrente ou dentado, nem um disco diamantado segmentado com fendas de largura superior a 10 mm.** Acessórios deste tipo provocam frequentemente um coice ou a perda do controlo sobre a ferramenta eléctrica.
- f) **Evite o bloqueio do disco de corte ou força de encosto excessiva. Não execute cortes excessivamente fundos.** Uma sobrecarga do disco de corte aumenta o respectivo esforço e a predisposição para encravar ou bloquear e, assim, a possibilidade de um coice ou quebra do rebolo.

- g) **Caso o disco de corte encrave ou interromper o trabalho, desligue a ferramenta e segure-a com calma, até o disco estar imobilizado. Nunca tente puxar o disco ainda a rodar do corte; senão, pode resultar daí um coice.** Determine e corrija a causa de o disco encravar.
- h) **Enquanto a ferramenta eléctrica se encontra encravada na peça, não volte a ligá-la. Deixe que o disco de corte atinja primeiro a sua velocidade plena, antes de continuar, com precaução, o corte.** Caso contrário, o disco pode prender, saltar da peça ou provocar um coice.
- i) **Escore placas ou peças grandes de modo a diminuir o perigo de um coice devido a um disco de corte encravado.** Peças grandes podem flectir sob o seu próprio peso. A peça tem de ser escorada de ambos os lados do disco, tanto na proximidade do corte de separação como também na borda.
- j) **Tenha particular atenção no caso de "cortes de imersão" em paredes existentes ou noutras áreas não inspecionáveis.** Ao mergulhar na peça, o disco de corte pode provocar um coice durante o corte em tubagens de gás ou água, cabos eléctricos ou outros objectos.

5.4 Normas de segurança adicionais

5.4.1 Segurança física

- a) **Utilize exclusivamente os discos de corte autorizados para a sua ferramenta eléctrica e o resguardo de disco previsto para estes discos de corte.** Discos de corte que não estão previstos para a ferramenta eléctrica não podem ser resguardados ou suficiente e não são seguros.
- b) **Na utilização guiada à mão, segure a ferramenta sempre com as duas mãos nos punhos previstos para o efeito. Mantenha os punhos secos, limpos e isentos de óleos e massas.**
- c) **Quando existir a possibilidade de a ferramenta poder danificar cabos eléctricos que se encontrem enterrados ou o cabo de alimentação, segure a ferramenta pelas superfícies isoladas dos punhos.** Em caso de contacto com fios condutores de corrente, partes metálicas não isoladas da ferramenta são colocadas sob tensão, ficando o operador sujeito receber choques eléctricos.
- d) **Se a ferramenta for utilizada sem o dispositivo de aspiração de poeira, é indispensável colocar uma máscara antipoeiras. Feche a tampa sobre a tubuladura de aspiração.**
- e) **Faça pausas para relaxar os músculos e melhorar a circulação sanguínea nas mãos.**
- f) **Evite o contacto com peças rotativas. Ligue a ferramenta apenas quando estiver no local de trabalho.** O contacto com peças rotativas, nomeadamente brocas, discos, lâminas, etc. pode causar ferimentos.
- g) **Durante o trabalho, mantenha o cabo de alimentação e a extensão sempre na parte de trás da ferramenta.** Evita assim tropeçar no cabo durante os trabalhos.

- h) Para cortar material base de origem metálica trabalhe apenas com o resguardo de disco. Feche a tampa sobre a tubuladura de aspiração.
- i) Ao realizar trabalhos de perfuração, veda a área que se encontra do lado oposto dos trabalhos. Restos de demolição podem desprender-se e/ou cair e ferir outras pessoas.
- j) Deve ensinar-se às crianças que não podem brincar com a ferramenta.
- k) A ferramenta não está concebida para a utilização por crianças ou pessoas debilitadas sem formação.
- l) Não utilize a ferramenta se esta arrancar com dificuldade ou aos esticões. Existe a possibilidade de o sistema electrónico estar avariado. Nesse caso, mande reparar o mais brevemente possível a ferramenta num Centro de Assistência Técnica Hilti.
- m) **AVISO: Alguns tipos de pó que são produzidos ao desbastar, rebarbar, cortar e furar, contêm agentes químicos conhecidos pelos seus efeitos cancerígenos e teratogénicos, que podem provocar esterilidade e danos permanentes das vias respiratórias ou outros danos.** Alguns desses agentes químicos são chumbo contido em tinta de chumbo, quartzo cristalino proveniente de tijolos, betão, alvenaria ou pedras naturais, ou, também, arsénio e crómio provenientes de madeira de construção tratada quimicamente. A perigosidade para si varia, consoante a frequência com que efectua estes trabalhos. Para minimizar a exposição a estes agentes químicos, os utilizadores e terceiros devem trabalhar num espaço bem ventilado, bem como usar equipamentos de segurança apropriados. Use uma máscara antipoeiras adequada para determinados pós, que possa filtrar partículas microscópicas e manter o pó afastado da face e do corpo. Evite o contacto permanente com pó. Use vestuário de protecção e lave a área da pele afectada com água e sabão. A absorção de pó através da boca, do nariz, dos olhos ou o contacto permanente dos pós com a pele pode promover a absorção de agentes químicos com risco de efeitos graves para a saúde.

5.4.2 Utilização e manutenção de ferramentas eléctricas

- a) Os discos de corte devem ser guardados, manuseados e aplicados de acordo com as instruções do fabricante.
- b) Certifique-se de que são utilizados intercalares quando exigidos ou disponibilizados com os discos de corte.
- c) Para maior segurança e porque assim fica com ambas as mãos livres para segurar a ferramenta, use grampos ou um torno para segurar peças soltas.
- d) Certifique-se de que o disco de corte é fixo e aplicado correctamente antes da utilização, e deixe-o trabalhar em vazio durante 30 s numa posição segura. Desligue imediatamente a ferramenta se notar uma vibração elevada ou qualquer outra anomalia e verifique todo o sistema para determinar a causa.

- e) Certifique-se de que as faíscas originadas não representam qualquer perigo, p.ex., para si ou para outras pessoas. Para o efeito, coloque o resguardo correctamente.
- f) As aberturas (roços) em paredes de suporte ou outras estruturas podem influenciar a estática da estrutura, especialmente ao cortar/atravessar armadura. O engenheiro, arquiteto ou responsável pelo projecto devem ser consultados antes de iniciar os trabalhos de corte/abertura de roços.
- g) Evite que o disco encrave ao guiar a ferramenta com atenção e através de cortes a direito. Não é permitido o corte de curvas.
- h) Conduza a ferramenta uniformemente e sem exercer força lateral sobre o disco de corte. Coloque a ferramenta sempre em ângulo recto sobre a peça. Durante o processo de corte, não altere a direcção de corte nem através de uma força lateral nem dobrando o disco de corte. Existe perigo de quebra ou dano do disco de corte.

5.4.3 Segurança eléctrica



- a) Antes de iniciar os trabalhos, verifique o local de trabalho relativamente a cabos eléctricos encobertos, bem como tubos de gás e água, p.ex., com um detector de metais. Partes metálicas externas da ferramenta podem transformar-se em condutores de corrente se, p.ex., uma linha eléctrica for danificada inadvertidamente. Isto representa um sério perigo de choque eléctrico.
- b) Verifique o cabo eléctrico regularmente. Se danificado, o cabo deve ser imediatamente substituído por um especialista. Quando o cabo de ligação da ferramenta eléctrica está danificado, deve ser substituído por um cabo de ligação específico, que se encontra disponível através do Serviço de Clientes Hilti. Verifique as extensões de cabo regularmente. Se estiverem danificadas, deverão ser substituídas. Se danificar o cabo enquanto trabalha, não lhe toque e desligue o equipamento imediatamente. Desligue a máquina da corrente. Linhas de conexão e extensões danificadas representam um risco de choque eléctrico.
- c) Deste modo, as ferramentas utilizadas frequentemente para trabalhar materiais condutores e, conseqüentemente, muito sujas, devem ser verificadas regularmente num Centro de Assistência Técnica Hilti. Humidade ou sujidade na superfície da ferramenta dificultam o seu manuseio e, sob condições desfavoráveis, podem causar choques eléctricos.
- d) Se trabalhar com uma ferramenta eléctrica no exterior, certifique-se de que a ferramenta está ligada à rede eléctrica por meio de um disjuntor diferencial (GFCI) com uma corrente de disparo de, no máximo, 30 mA. A utilização de um disjuntor diferencial reduz o risco de choque eléctrico.

- e) Por princípio, recomendamos a utilização de um disjuntor diferencial (GFCI) com uma corrente de disparo de, no máximo, 30 mA.

5.4.4 Local de trabalho

Assegure-se de que o local de trabalho está bem ventilado. Áreas de trabalho mal ventiladas podem suscitar problemas de saúde devido à inalação de pó.

5.4.5 Equipamento de protecção pessoal



O utilizador e restantes pessoas que se encontrem na proximidade da ferramenta devem usar óculos de

protecção adequados e aprovados em conformidade com a norma ANSI Z87.1, capacete de segurança, protecção auricular, luvas de protecção e máscara antipoeiras.

6 Antes de iniciar a utilização



AVISO

Antes de trabalhos de montagem ou modificação na ferramenta, esta tem de ser desligada da corrente e o disco de corte ou veio deve estar totalmente imobilizado.

CUIDADO

A corrente eléctrica deve corresponder à indicada na placa de características da ferramenta. Certifique-se de que a ferramenta está desligada da corrente eléctrica.

CUIDADO

Use luvas de protecção, especialmente ao substituir o disco, ajustar o resguardo de disco e montar o limitador de profundidade.

6.1 Resguardo do disco

AVISO

Nunca deve utilizar a ferramenta sem o resguardo.

NOTA

Se o bloqueio do resguardo de disco for insuficiente, é possível aumentar o bloqueio apertando ligeiramente o parafuso de aperto.

6.1.1 Montagem e ajuste do resguardo de disco 5

1. Desligue a máquina da corrente.
2. Alivie o parafuso de aperto com a chave para sextavado interior.

3. Encaixe o resguardo de disco no colar da caixa de engrenagens.
4. Posicione o resguardo conforme desejado.
5. Aperte o parafuso de aperto com a chave para sextavado interior.

6.1.2 Desmontagem do resguardo de disco

1. Desligue a máquina da corrente.
2. Alivie o parafuso de aperto com a chave para sextavado interior.
3. Rode o resguardo e retire-o.

6.2 Limitador de profundidade (opcional)

PERIGO

O limitador de profundidade deve ser utilizado exclusivamente para trabalhar materiais base de origem mineral com discos de corte diamantados.

6.2.1 Montagem/ desmontagem do limitador de profundidade 4

1. Desligue a máquina da corrente.
2. Para montar, engate o gancho no eixo dos rolos de guia.
3. Rode o leque para dentro do resguardo até o detentor encaixar de forma audível.
4. Para desmontar, pressione o detentor e rode o leque para fora do resguardo.

6.2.2 Regulação da profundidade de corte no limitador de profundidade

1. Pressione a corrediça da profundidade de corte.
2. Desloque a corrediça da profundidade de corte com a marca para a profundidade de corte pretendida.

6.3 Montagem do disco de corte

PERIGO

Utilize apenas as falanges e chaves de aperto métricas fornecidas.

CUIDADO

Utilize apenas acessórios de corte cuja velocidade de rotação permitida é, no mínimo, tão alta como a velocidade máxima em vazio da ferramenta.

CUIDADO

Não podem ser utilizados acessórios de corte danificados, excêntricos ou a vibrar.

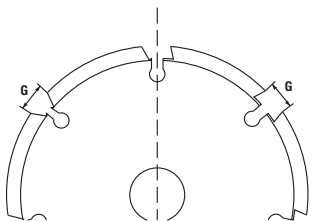
CUIDADO

Não utilize discos de corte de resina sintética reforçada a fibra cuja data de validade tenha passado.

NOTA

A ferramenta deve ser utilizada com discos de corte diamantados de acordo com as disposições da norma ANSI B7.1. Como opção, a ferramenta também poderá utilizar discos de corte de resina sintética reforçada a fibra de acordo com a norma ANSI B7.1 (forma plana, não acotovelada, tipo "cutting-off wheel") para trabalhar materiais base de origem metálica. Neste caso deve utilizar-se para a ferramenta o porta-ferramentas DCH 300 ABR adequado (ver Acessórios). Respeite também as instruções de montagem dos fabricantes dos discos de corte.

6.3.1 Montagem do disco de corte diamantado



A largura da fenda, G, entre os segmentos não pode exceder os 10 mm ($\frac{3}{8}$ "). A espessura do disco não pode exceder o valor máximo de 3,5 mm ($\frac{1}{8}$ ").

A falange de inversão $\varnothing 60$ mm pode ser utilizada, consoante o lado, para discos de corte com um diâmetro interior de 22,2 mm ($\frac{7}{8}$ ") ou discos de corte com um diâmetro interior de 25,4 mm (1"). Verifique o lado da falange de inversão que se adequa ao diâmetro interior do disco de corte. A falange tem de centrar o disco de corte.

1. Desligue a máquina da corrente.
2. Limpe a falange de aperto e a porca tensora.
3. Coloque a falange de inversão $\varnothing 60$ mm com o lado correcto no veio de modo que já não possa ser rodada.

4. Coloque o disco de corte diamantado na falange de inversão.
5. Coloque a falange de aperto $\varnothing 60$ mm e a porca tensora.
6. **CUIDADO O botão de bloqueio do veio só pode ser accionado quando o veio parar de rodar.** Pressione o botão de bloqueio do veio e mantenha-o pressionado.
7. Com a chave de aperto, aperte a porca tensora e solte em seguida o botão de bloqueio do veio.
8. Certifique-se de que o botão de bloqueio do veio está novamente saído para fora.

6.3.2 Montagem do disco de corte de resina sintética reforçada a fibra (opcional)

CUIDADO

No caso de discos de corte de resina sintética reforçada a fibra, nunca utilize falanges com diâmetros inferiores a 80 mm.

A falange de inversão $\varnothing 80$ mm pode ser utilizada, consoante o lado, para discos de corte com um diâmetro interior de 22,2 mm ($\frac{7}{8}$ ") ou discos de corte com um diâmetro interior de 25,4 mm (1"). Verifique o lado da falange de inversão que se adequa ao diâmetro interior do disco de corte. A falange tem de centrar o disco de corte.

1. Desligue a máquina da corrente.
2. Limpe a falange de aperto e a porca tensora.
3. Coloque a falange de inversão $\varnothing 80$ mm com o lado correcto no veio de modo que já não possa ser rodada.
4. Coloque o disco de corte diamantado na falange de inversão.
5. Coloque a falange de aperto $\varnothing 80$ mm e a porca tensora.
6. **CUIDADO O botão de bloqueio do veio só pode ser accionado quando o veio parar de rodar.** Pressione o botão de bloqueio do veio e mantenha-o pressionado.
7. Com a chave de aperto, aperte a porca tensora e solte em seguida o botão de bloqueio do veio.
8. Certifique-se de que o botão de bloqueio do veio está novamente saído para fora.

6.4 Desmontagem dos discos de corte

Para desmontar os discos de corte, execute os passos de trabalho correspondentes pela ordem inversa.

6.5 Armazenamento e transporte dos discos de corte

CUIDADO

Depois de utilizar a ferramenta, retire os discos de corte. O disco de corte podem danificar-se se for transportado montado.

CUIDADO

Guarde os discos de corte de acordo com as recomendações do fabricante. O armazenamento incorrecto pode danificar os discos de corte.

7 Utilização



pt

PERIGO

Segure a ferramenta apenas pelas áreas isoladas dos punhos, quando executar trabalhos onde o acessório pode encontrar cabos eléctricos encobertos ou o próprio cabo de rede. O contacto com um cabo sob tensão também pode colocar partes metálicas da ferramenta sob tensão e causar um choque eléctrico.

AVISO

Não utilize a ferramenta se esta arrancar com difi-culdade ou aos esticões. Existe a possibilidade de o sistema electrónico estar avariado. Nesse caso, mande reparar o mais brevemente possível a ferramenta num Centro de Assistência Técnica Hilti.

CUIDADO

A ferramenta e o processo de corte produzem ruído. **Use protecção auricular.** Ruído em excesso pode levar à perda de audição.

CUIDADO

O processo de corte pode dar origem a estilhaços pe-rigosos. Material fragmentado pode causar ferimentos no corpo e nos olhos. **Use óculos de protecção e um capacete de segurança.**

CUIDADO

O importante é a direcção de avanço. A ferramenta tem ser conduzida sobre o material base sempre com os rolos para a frente. **Caso contrário, existe o perigo de um coice.**

AVISO

A corrente eléctrica deve corresponder à indicada na placa de características da ferramenta.

CUIDADO

Após utilização prolongada, o disco de corte e partes da ferramenta podem ficar muito quentes. Poderá queimar as mãos. **Calce luvas de protecção. Toque na ferramenta apenas nos punhos previstos para o efeito.**

CUIDADO

Use grampos ou o torno para segurar peças soltas.

AVISO

As aberturas (roços) em paredes de suporte ou ou-tras estruturas podem influenciar a estática da estrutura, especialmente ao cortar/atraversar armadura. **O engenheiro, arquitecto ou responsável pelo projecto de-**

vem ser consultados antes de iniciar os trabalhos de corte/abertura de roços.

7.1 Trabalhar com a ferramenta

Certifique-se que o lado fechado do resguardo está sempre voltado para o utilizador.

Altere a posição do resguardo consoante o trabalho de corte em causa.

7.2 Sistema de protecção anti-roubo TPS (opcional)

NOTA

A ferramenta está preparada para a instalação da função "Protecção anti-roubo" como opção. Se a ferramenta estiver equipada com esta função, só pode ser activada e preparada para ser utilizada através da respectiva chave de activação.

7.2.1 Activar a ferramenta

1. Ligue a ferramenta à corrente eléctrica. A luz indica-dora amarela do sistema de protecção anti-roubo pisca. A ferramenta está agora pronta para receber o sinal da chave de activação.
2. Coloque a chave de activação junto do símbolo de bloqueio (cadeado). A ferramenta é activada e está pronta para ser utilizada assim que a luz indicadora se tiver apagado.

NOTA Quando se desliga a ferramenta por um curto espaço de tempo, por exemplo, ao mudar de local de trabalho ou em caso de corte de energia, esta mantém-se operacional durante, aproximadamente, 20 minutos. Quando a interrupção é mais prolon-gada, é necessário activar de novo a ferramenta através da chave de activação.

7.2.2 Activação da função de protecção anti-roubo para a ferramenta

NOTA

No manual de instruções "Sistema de protecção anti-roubo", poderá encontrar mais informações pormenori-zadas relativas à activação e emprego do sistema de protecção anti-roubo.

7.3 Ligar

1. Ligue a ficha à corrente eléctrica.
2. Segure a ferramenta sempre com as duas mãos nos punhos previstos para o efeito.
3. Destrave o interruptor on/off através do acciona-mento do dispositivo de bloqueio.
4. Pressione o interruptor on/off.
5. Volte a colocar o polegar à volta do punho traseiro.

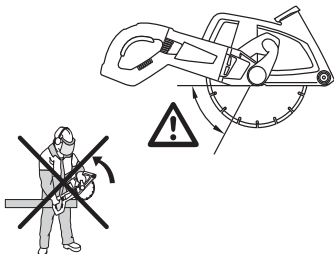
7.4 Desligar

Solte o interruptor on/off.

Depois de se soltar o interruptor on/off, a ferramenta pára.

O dispositivo de bloqueio está novamente activado.

7.5 Trabalhar com discos de corte



PERIGO

Devido ao perigo de coice, evite a entrada do disco no material base dentro da área assinalada.

PERIGO

Antes de encetar o corte, coloque primeiro os rolos sobre a peça a trabalhar, se for possível. Tenha especial atenção quando tal não for possível ou quando introduzir o disco num corte já existente.

1. Nos trabalhos de corte de materiais minerais, coloque a ferramenta com os rolos de guia sobre o material base.
2. Deixe que a ferramenta alcance a velocidade de rotação máxima.

3. Fazendo pressão sobre a ferramenta, mergulhe lentamente o disco de corte no material. Isto assegura que partículas de corte e faíscas sejam interceptadas pelo resguardo e conduzidas para o dispositivo de remoção de pó.

NOTA Trabalhe com uma velocidade de avanço moderada, adaptada ao material a trabalhar.

NOTA Ao trabalhar materiais base de origem mineral especialmente duros (por exemplo, betão) com elevada proporção de gravilha, o disco de corte diamantado pode sobreaquecer e ficar danificado devido a isso. Um indício claro disso é um anel de faíscas que acompanha o movimento do disco de corte diamantado. Neste caso, deveria interromper-se o processo de corte e deixar-se arrefecer o disco de corte diamantado às rotações em vazio.

Um progresso de trabalho decrescente pode ser uma indicação de que os segmentos diamantados estão embotados (polir os segmentos). Estes podem ser reafiados através de cortes em material abrasivo (placa de afiar Hilti ou arenito calcário abrasivo).

7.6 Trabalhar materiais base de origem mineral com um aspirador adequado

NOTA

Em relação à remoção do material aspirado, leia o manual de instruções dos aspiradores.

Com um aspirador adequado (como o Hilti VCD 50) é possível trabalhar sem produzir muito pó. A utilização de um aspirador auxilia, entre outros, a refrigeração dos segmentos, reduzindo assim o seu desgaste. Utilize um aspirador com mangueira antiestática para evitar efeitos electrostáticos.

8 Conservação e manutenção

CUIDADO

Desligue a ferramenta da corrente.

8.1 Manutenção da ferramenta

PERIGO

Ao trabalhar metais em condições de utilização extremas, pode depositar-se pó condutor no interior da ferramenta. O isolamento duplo da ferramenta pode ficar comprometido. **Em tais casos é recomendável utilizar um sistema de aspiração fixo, limpar frequentemente as saídas de ar e ligar em série um disjuntor diferencial (GFCI).**

8.2 Indicador de manutenção

NOTA

A ferramenta está equipada com um indicador de manutenção.

A carcaça exterior do motor assim como os punhos são fabricados em plástico resistente a impactos. Os punhos estão parcialmente revestidos com uma borracha sintética.

As saídas de ar devem estar sempre limpas e desobstruídas! Limpe as saídas de ar cuidadosamente com uma escova seca. Evite a penetração de corpos estranhos no interior da ferramenta. Limpe regularmente o exterior da ferramenta com um pano ligeiramente húmido. Não utilize qualquer pulverizador, aparelho de jacto de vapor ou água corrente, pois pode afectar negativamente a segurança eléctrica da ferramenta. Mantenha os punhos da ferramenta limpos de óleo e gordura. Não utilize produtos de limpeza que contenham silicone.

Lâmpada piloto	acesa a vermelho	Foi atingido o tempo de trabalho predefinido e requer-se agora uma manutenção. Depois de a luz acender pela primeira vez, a ferramenta poderá continuar a ser utilizada durante algumas horas, antes de ser activada a desactivação automática. Envie a sua ferramenta a um Centro de Assistência Técnica Hilti para que seja reparada e esteja pronta a ser usada quando necessário.
	pisca a vermelho	Consultar o capítulo "Avarias possíveis".

8.3 Manutenção

AVISO

As reparações na parte eléctrica apenas podem ser executadas por um electricista especializado.

Examine periodicamente todos os componentes e partes externas da ferramenta prevenindo assim o seu perfeito funcionamento. Não ligue a ferramenta se houver partes

danificadas, incompletas ou se os comandos operativos não estiverem a funcionar correctamente. Nesse caso, mande reparar a ferramenta num Centro de Assistência Técnica Hilti.

8.4 Verificação do equipamento após manutenção

Após cada manutenção do equipamento, verifique se todos os dispositivos de segurança estão correctamente montados e perfeitamente operacionais.

9 Avarias possíveis

Falha	Causa possível	Solução
A ferramenta não trabalha	Não recebe corrente eléctrica.	Ligue uma outra ferramenta na mesma tomada para verificar se esta tem corrente.
	Cabo de alimentação ou ficha com defeito.	Mandar verificar por um electricista especializado. Mandar substituir se necessário.
	A ferramenta não está activada (no caso de ferramentas com sistema de protecção anti-roubo, opcional).	Active a ferramenta com a chave de activação.
	Interruptor on/off avariado.	Nesse caso, mande reparar a ferramenta num Centro de Assistência Técnica Hilti.
	Sobrecarga por ter excedido os limites da ferramenta.	Seleção correcta da ferramenta em função da utilização.
	Disjuntor térmico activado.	Deixe a ferramenta arrefecer. Limpe as saídas de ar.
	Outra avaria eléctrica.	Mandar verificar por um electricista especializado.
	O bloqueio electrónico está activado após uma interrupção de corrente.	Desligar e voltar a ligar a ferramenta.
Fraca performance da ferramenta.	Extensão de cabo com secção inadequada.	Utilize uma extensão de cabo com secção permitida. (consultar o capítulo "Antes de iniciar a utilização")
A ferramenta não arranca e o indicador de manutenção pisca a vermelho.	Avaria na ferramenta.	Nesse caso, mande reparar a ferramenta num Centro de Assistência Técnica Hilti.
A ferramenta não arranca e o indicador de manutenção acende a vermelho.	As escovas de carvão estão gastas.	Mandar verificar por um electricista especializado. Mandar substituir se necessário.
A ferramenta não arranca e o indicador de protecção anti-roubo pisca a amarelo.	A ferramenta não está activada (no caso de ferramentas com sistema de protecção anti-roubo, opcional).	Active a ferramenta com a chave de activação.

10 Reciclagem



As ferramentas Hilti são, em grande parte, fabricadas com materiais recicláveis. Um pré-requisito para a reciclagem é que esses materiais sejam devidamente separados. A Hilti já iniciou em muitos países a recolha da sua ferramenta usada para fins de reaproveitamento. Para mais informações dirija-se ao Serviço de Clientes Hilti local ou ao vendedor.

11 Garantia do fabricante - Ferramentas

A Hilti garante que a ferramenta fornecida está isenta de quaisquer defeitos de material e de fabrico. Esta garantia é válida desde que a ferramenta seja utilizada e manuseada, limpa e revista de forma adequada e de acordo com o manual de instruções Hilti e desde que o sistema técnico seja mantido, isto é, sob reserva da utilização exclusiva na ferramenta de consumíveis, componentes e peças originais Hilti.

A garantia limita-se rigorosamente à reparação gratuita ou substituição das peças com defeito de fabrico durante todo o tempo de vida útil da ferramenta. A garantia não cobre peças sujeitas a um desgaste normal de uso.

Estão excluídas desta garantia quaisquer outras situações susceptíveis de reclamação, salvo legislação

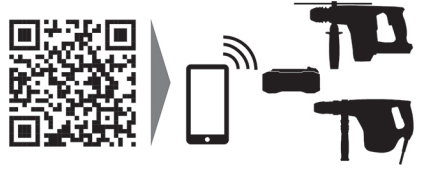
nacional aplicável em contrário. Em caso algum será a Hilti responsável por danos indirectos, directos, accidentais ou pelas consequências daí resultantes, perdas ou despesas em relação ou devidas à utilização ou incapacidade de utilização da ferramenta, seja qual for a finalidade. A Hilti exclui em particular as garantias implícitas respeitantes à utilização ou aptidão para uma finalidade particular.

Para toda a reparação ou substituição, enviar a ferramenta ou as peças para o seu centro de vendas Hilti, imediatamente após detecção do defeito.

Estas são todas e as únicas obrigações da Hilti no que se refere à garantia, as quais anulam todas as declarações, acordos orais ou escritos anteriores ou contemporâneos referentes à garantia.



Hilti Corporation
LI-9494 Schaan
Tel.:+423 234 21 11
Fax:+423 234 29 65
www.hilti.group



212019