



# HILTI PIPE CLAMPS MP-U-I / MP-U / MP-U-G

ETA-20/0952 (30.11.2022)



English	2-71
Deutsch	72-141
Français	142-211



## European Technical Assessment

## ETA-20/0952 of 30/11/2022

English translation prepared by CSTB - Original version in French language

### General Part

Trade name:	Hilti ultimate pipe clamps MP-U-I, MP-U, and MP-U-G
Product family:	Products for installation systems for supporting technical building equipment
Manufacturer:	Hilti AG Liechtenstein Feldkircherstraße 100 9494 Schaan Principality of Liechtenstein
Manufacturing plants:	L 9295
This European Technical Assessment contains:	70 pages including 67 pages of annexes which form an integral part of this assessment
This European Technical Assessment is issued in accordance with Regulation (EU) No 305/2011, on the basis of:	European Assessment Document (EAD) 280016-00-0602 version August 2017
This version replaces:	ETA-20/0952 from 09/06/2021

*The European Technical Assessment is issued by the Technical Assessment Body in its official language. Translations of this European Technical Assessment in other languages shall fully correspond to the original issued document and shall be identified as such. Communication of this European Technical Assessment, including transmission by electronic means, shall be in full. However, partial reproduction may only be made with the written consent of the issuing Technical Assessment Body. Any partial reproduction shall be identified as such. This European Technical Assessment may be withdrawn by the issuing Technical Assessment Body, in particular pursuant to information by the Commission in accordance with Article 25(3) of Regulation (EU) No 305/2011.*

## Specific Part

### 1 Technical description of the product

Objects of this European Technical Assessment are Hilti ultimate pipe clamps MP-U, MP-U-I and MP-U-G. The pipe clamps consist of two profiled steel strips, which are designed to be able to surround a pipe circularly. The clamping strips are connected together on one side by a steel screw and on the other side by a snap-in lock system. The clamping stripes are pressed onto the outside of the pipe to be fastened by tightening the screw. Each pipe clamp has a designated clamping range. The top clamping strip features welded connection heads with M8, M8/M10, M8/10/O16 or M8/10/½" combi-threads.

The clamping strips of MP-U-I are fitted with a TPE profile on the inside to aid structure-borne sound insulation, to balance unevenness and to prevent contact corrosion.

The clamping strips of MP-U-G are fitted with an EPDM profile on the inside to reduce friction and allow sliding of the pipe caused by thermal expansion and to balance unevenness.

Annex A describes the dimensions and materials of the Hilti ultimate pipe clamps MP-U, MP-U-I and MP-U-G. The requirements for performance assessment are given in Annex B.

### 2 Specification of the intended use

The performance given in Section 3 can only be assumed if the Hilti ultimate pipe clamps MP-U, MP-U-I and MP-U-G are used in compliance with the specifications and under boundary conditions set out in Annexes A to D. The test and assessment methods on which this European Technical Assessment is based lead to an assumption of a working life of the pipe clamps of at least 50 years in final use under ambient temperatures in indoor areas. The indications given on the working life cannot be interpreted as a guarantee given by the producer but are to be regarded only as a means for choosing the right products in relation to the expected economically reasonable working life of the works.

In accordance with the European Assessment Document EAD 280016-00-0602, the product is intended to be used in

- a) installations for the support of sprinkler kits;
- b) installations for supporting technical building equipment-

### 3 Performance of the product and references to the methods used for its assessment

#### 3.1 Safety in case of fire (BWR 2)

Essential characteristic	Performance
Reaction to fire:	Class A1
Resistance and deformations of Hilti ultimate pipe clamps MP-U-I M8/10, MP-U-I M8/10/O16, MP-U-I M8/10/½", MP-U M8/10 and MP-U M8/10/½" in case of fire	see Annex D

### 3.2 Safety and accessibility in use (BWR 4)

Essential characteristic	Performance
Dimensions and materials of Hilti ultimate pipe clamps MP-U-I M8/10, MP-U-I M8/10/O16, MP-U-I M8/10/½", MP-U M8/10 and MP-U M8/10/½"	see Annex A
Characteristics of Hilti ultimate pipe clamps MP-U-I M8, MP-U-I M8/10, MP-U-I M8/10/O16, MP-U-I M8/10/½", MP-U M8/10, MP-U M8/10/½", MP-U-G M8, MP-U-G M8/10 and MP-U-G M8/10/½" at ambient temperature	see Annex C

### 4 Assessment and verification of constancy of performance (AVCP) system applied, with reference to its legal base

In accordance with the European Assessment Document EAD 280016-00-0602, the following legal bases apply:

- In case of intended use a) specified in Section 2:  
Decision of the commission N° 96/577/EC as amended by Commission Decision 2002/592/EC:  
System 1 applies for the assessment and verification of constancy of performance (AVCP).
- In case of intended use a) specified in Section 2:  
Decision of the commission N° 97/161/EC:  
System 2+ applies for the assessment and verification of constancy of performance (AVCP).

Decision of the commission N° 1999/472/EC as amended by Commission Decision 2001/596/EC:  
System 3 applies for the assessment and verification of constancy of performance (AVCP).

### 5 Technical details necessary for the implementation of the AVCP system, as provided for in the applicable EAD

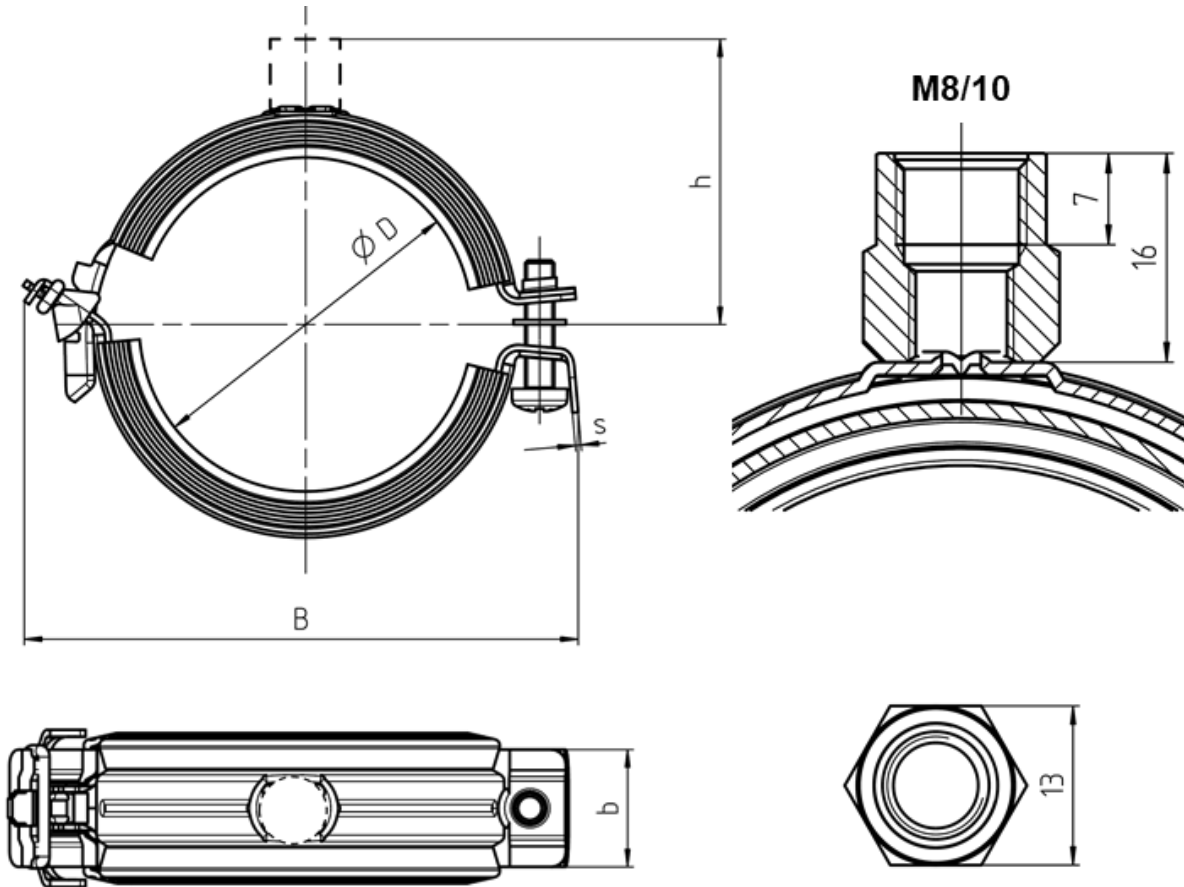
The technical details necessary for the implementation of the system for the assessment and verification of constancy of performance are laid down in the control plan (confidential part of this European Technical Assessment) deposited at Centre Scientifique et Technique du Bâtiment.

The manufacturer shall, on the basis of a contract, involve a notified body approved in the field of anchor channels for issuing the certificate of conformity CE based on the control plan.

#### The original French version is signed by

Anca Cronopol  
Head of the division

Figure A1: Geometry and dimensions of the pipe clamp MP-U-I M8/10



Dimensions in mm

Table A1: Materials of pipe clamps MP-U-I M8/10

Components of pipe ring	Materials
Clamping strip	DC01 in accordance with EN 10130 for the 1,0 mm strip DD11 MOD 360 in accordance with EN 10111 for the 1,5 mm, 1,8 mm and 2,0 mm strip
Connection head	Property class $\geq 5$ in accordance with ISO 898-2
Clamping screw M5, M6, M8	Strength class $\geq 4,8$ in accordance with EN ISO 7045
Plate	DC01 in accordance with EN 10130 for the 1,2 mm plate DD11 MOD 360 in accordance with EN 10111 for the 1,8 mm, 2,0 mm plate
Washer	HDPE
O-Ring	EPDM / NBR
Rubber inlays	TPE

Hilti ultimate pipe clamps MP-U, MP-U-I and MP-U-G

Product Description  
 Dimensions and materials

Annex A1

**Table A2: Dimensions and tightening torque of pipe clamps MP-U-I M8/10**

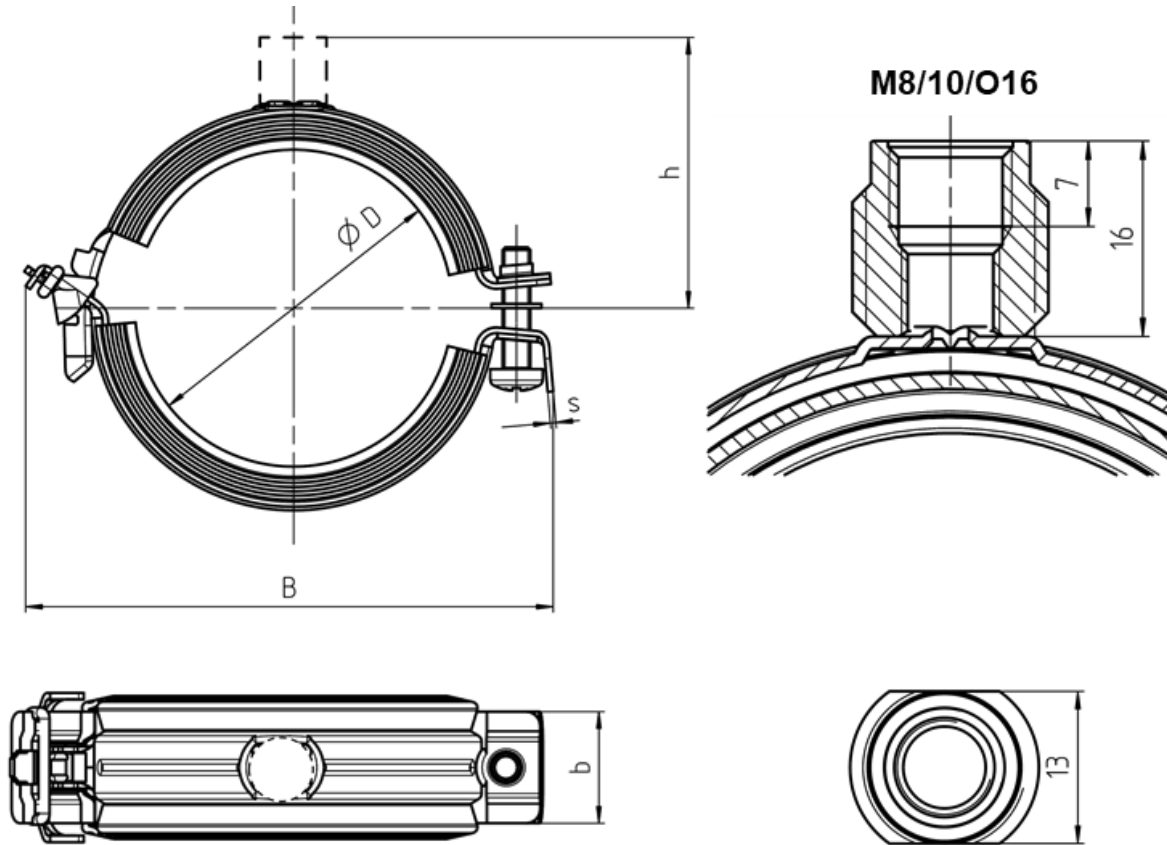
Item number	Designation	D [mm]	B [mm]	b x s [mm]	h [mm]	No. teeth	Tightening torque [Nm]	Screw size
2242258	MP-U-I 9-13 1/8" M8/10	13	46	20x1,0	28	2	1	M5x18
2242259	MP-U-I 13-17 1/4" M8/10	17	49	20x1,0	29	2	1	M5x18
2242260	MP-U-I 17-21 3/8" M8/10	21	53	20x1,0	31	2	1	M5x18
2242261	MP-U-I 21-25 1/2" M8/10	25	56	20x1,0	34	3	1	M5x22
2242262	MP-U-I 25-29 3/4" M8/10	29	62	20x1,0	36	3	1	M5x22
2242263	MP-U-I 29-33 M8/10	33	66	20x1,0	38	3	1	M5x22
2242264	MP-U-I 33-37 1" M8/10	37	70	20x1,0	40	3	1	M5x22
2242265	MP-U-I 37-42 M8/10	42	75	20x1,0	43	3	1	M5x22
2242266	MP-U-I 42-47 1 1/4" M8/10	47	80	20x1,0	45	3	1	M5x22
2242267	MP-U-I 47-52 1 1/2" M8/10	52	85	20x1,0	48	3	1	M5x22
2242268	MP-U-I 52-57 M8/10	57	90	20x1,0	50	3	1	M5x22
2242269	MP-U-I 57-62 2" M8/10	62	95	20x1,0	53	3	1	M5x22
2242270	MP-U-I 62-67 M8/10	67	110	24x1,5	56	3	2	M6x30
2242271	MP-U-I 67-72 M8/10	72	115	24x1,5	58	3	2	M6x30
2242272	MP-U-I 72-77 2 1/2" M8/10	77	120	24x1,5	61	3	2	M6x30
2242273	MP-U-I 78-84 M8/10	84	127	24x1,5	64	3	2	M6x30
2242274	MP-U-I 84-90 3" M8/10	90	133	24x1,5	67	3	2	M6x30
2242275	MP-U-I 90-96 M8/10	96	139	24x1,5	70	3	2	M6x30
2242276	MP-U-I 97-103 M8/10	103	152	24x1,8	74	3	3	M8x35
2242277	MP-U-I 103-109 M8/10	109	160	24x1,8	78	3	3	M8x35
2242278	MP-U-I 109-115 4" M8/10	115	166	24x1,8	81	3	3	M8x35
2242279	MP-U-I 115-121 M8/10	121	172	24x1,8	84	3	3	M8x35
2242280	MP-U-I 122-128 M8/10	128	179	24x1,8	87	3	3	M8x35
2242281	MP-U-I 129-135 M8/10	135	186	24x1,8	91	3	3	M8x35
2305365	MP-U-I 135-141 5" M8/10	141	192	24x1,8	94	3	3	M8x35
2305366	MP-U-I 141-147 M8/10	147	201	24x2,0	97	3	3	M8x35
2305367	MP-U-I 147-153 M8/10	153	207	24x2,0	100	3	3	M8x35
2305368	MP-U-I 154-160 M8/10	160	214	24x2,0	103	3	3	M8x35
2305369	MP-U-I 160-166 6" M8/10	166	220	24x2,0	106	3	3	M8x35
2305370	MP-U-I 164-170 M8/10	170	224	24x2,0	108	3	3	M8x35

Hilti ultimate pipe clamps MP-U, MP-U-I and MP-U-G

**Product Description**  
 Dimensions

**Annex A2**

Figure A2: Geometry and dimensions of Hilti ultimate pipe clamps MP-U-I M8/10/O16



Dimensions in mm

Table A3: Materials of pipe clamps MP-U-I M8/10/O16

Components of pipe ring	Materials
Clamping strip	DC01 in accordance with EN 10130 for the 1.0 mm strip DD11 MOD 360 in accordance with EN 10111 for the 1.5 mm, 1.8 mm and 2.0 mm strip
Connection head	Property class $\geq 5$ in accordance with ISO 898-2
Clamping screw M5, M6, M8	Strength class $\geq 4.8$ in accordance with EN ISO 7045
Plate	DC01 in accordance with EN 10130 for the 1,2 mm plate DD11 MOD 360 in accordance with EN 10111 for the 1,8 mm, 2,0 mm plate
Washer	HDPE
O-Ring	EPDM / NBR
Rubber inlays	TPE

Hilti ultimate pipe clamps MP-U, MP-U-I and MP-U-G

Product Description  
 Dimensions and materials

Annex A3

**Table A4: Dimensions and tightening torque of pipe clamps MP-U-I M8/10/O16**

Item number	Designation	D [mm]	B [mm]	b x s [mm]	h [mm]	No. teeth	Tightening torque [Nm]	Screw size
2242308	MP-U-I 9-13 1/8" M8/10/O16	13	46	20x1,0	28	2	1	M5x18
2242309	MP-U-I 13-17 1/4" M8/10/O16	17	49	20x1,0	29	2	1	M5x18
2242310	MP-U-I 17-21 3/8" M8/10/O16	21	53	20x1,0	31	2	1	M5x18
2242311	MP-U-I 21-25 1/2" M8/10/O16	25	56	20x1,0	34	3	1	M5x22
2242312	MP-U-I 25-29 3/4" M8/10/O16	29	62	20x1,0	36	3	1	M5x22
2242313	MP-U-I 29-33 M8/10/O16	33	66	20x1,0	38	3	1	M5x22
2242314	MP-U-I 33-37 1" M8/10/O16	37	70	20x1,0	40	3	1	M5x22
2242315	MP-U-I 37-42 M8/10/O16	42	75	20x1,0	43	3	1	M5x22
2242316	MP-U-I 42-47 1 1/4" M8/10/O16	47	80	20x1,0	45	3	1	M5x22
2242317	MP-U-I 47-52 1 1/2" M8/10/O16	52	85	20x1,0	48	3	1	M5x22
2242318	MP-U-I 52-57 M8/10/O16	57	90	20x1,0	50	3	1	M5x22
2242319	MP-U-I 57-62 2" M8/10/O16	62	95	20x1,0	53	3	1	M5x22
2242320	MP-U-I 62-67 M8/10/O16	67	110	24x1,5	56	3	2	M6x30
2242321	MP-U-I 67-72 M8/10/O16	72	115	24x1,5	58	3	2	M6x30
2242322	MP-U-I 72-77 2 1/2" M8/10/O16	77	120	24x1,5	61	3	2	M6x30
2242323	MP-U-I 78-84 M8/10/O16	84	127	24x1,5	64	3	2	M6x30
2242324	MP-U-I 84-90 3" M8/10/O16	90	133	24x1,5	67	3	2	M6x30
2242325	MP-U-I 90-96 M8/10/O16	96	139	24x1,5	70	3	2	M6x30
2242326	MP-U-I 97-103 M8/10/O16	103	152	24x1,8	74	3	3	M8x35
2242327	MP-U-I 103-109 M8/10/O16	109	160	24x1,8	78	3	3	M8x35
2242328	MP-U-I 109-115 4" M8/10/O16	115	165	24x1,8	81	3	3	M8x35
2242329	MP-U-I 115-121 M8/10/O16	121	172	24x1,8	84	3	3	M8x35
2242330	MP-U-I 122-128 M8/10/O16	128	179	24x1,8	87	3	3	M8x35
2242331	MP-U-I 129-135 M8/10/O16	135	186	24x1,8	91	3	3	M8x35
2305377	MP-U-I 135-141 5" M8/10/O16	141	192	24x1,8	94	3	3	M8x35
2305378	MP-U-I 141-147 M8/10/O16	147	201	24x2,0	97	3	3	M8x35
2305379	MP-U-I 147-153 M8/10/O16	153	207	24x2,0	100	3	3	M8x35
2305380	MP-U-I 154-160 M8/10/O16	160	214	24x2,0	103	3	3	M8x35
2305381	MP-U-I 160-166 6" M8/10/O16	166	220	24x2,0	106	3	3	M8x35
2305382	MP-U-I 164-170 M8/10/O16	170	224	24x2,0	108	3	3	M8x35

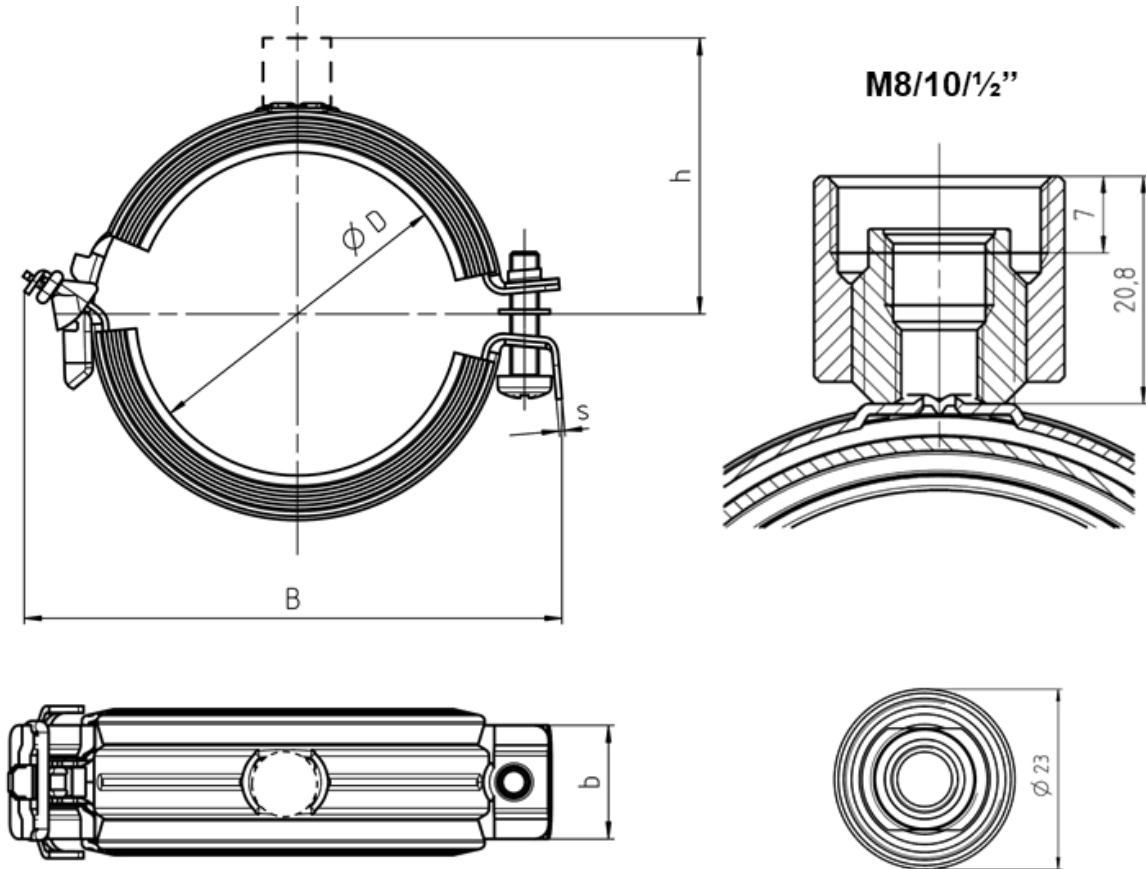
Hilti ultimate pipe clamps MP-U, MP-U-I and MP-U-G

Product Description  
 Dimensions

Annex A4



Figure A3: Geometry and dimensions of Hilti ultimate pipe clamps MP-U-I M8/10/1/2"



Dimensions in mm

Table A5: Materials of pipe clamps MP-U-I M8/10/1/2"

Components of pipe ring	Materials
Clamping strip	DC01 in accordance with EN 10130 for the 1,0 mm strip DD11 MOD 360 in accordance with EN 10111 for the 1,5 mm, 1,8 mm and 2,0 mm strip
Connection head	Property class $\geq 5$ in accordance with ISO 898-2
Clamping screw M5, M6, M8	Strength class $\geq 4.8$ in accordance with EN ISO 7045
Plate	DC01 in accordance with EN 10130 for the 1,2 mm plate DD11 MOD 360 in accordance with EN 10111 for the 1,8 mm, 2,0 mm plate
Washer	HDPE
O-Ring	EPDM / NBR
Rubber inlays	TPE

Hilti ultimate pipe clamps MP-U, MP-U-I and MP-U-G

Product Description  
 Dimensions and materials

Annex A5

**Table A6: Dimensions and tightening torque of pipe clamps MP-U-I M8/10/1/2"**

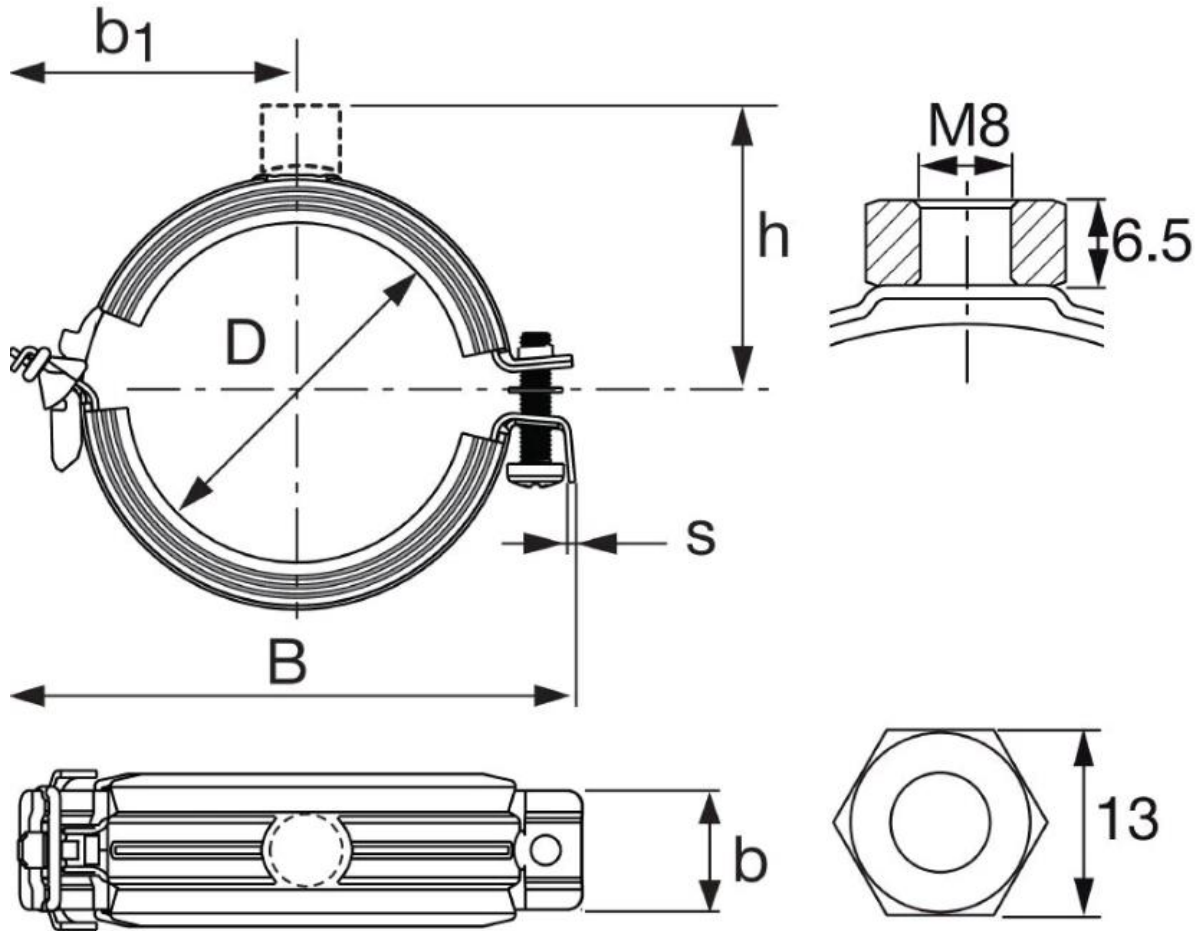
Item number	Designation	D [mm]	B [mm]	b x s [mm]	h [mm]	No. teeth	Tightening torque [Nm]	Screw size
2242283	MP-U-I 9-13 1/8" M8/10/1/2"	13	46	20x1,0	32	2	1	M5x18
2242284	MP-U-I 13-17 1/4" M8/10/1/2"	17	49	20x1,0	34	2	1	M5x18
2242285	MP-U-I 17-21 3/8" M8/10/1/2"	21	53	20x1,0	36	2	1	M5x18
2242286	MP-U-I 21-25 1/2" M8/10/1/2"	25	56	20x1,0	38	3	1	M5x22
2242287	MP-U-I 25-29 3/4" M8/10/1/2"	29	62	20x1,0	41	3	1	M5x22
2242288	MP-U-I 29-33 M8/10/1/2"	33	66	20x1,0	43	3	1	M5x22
2242289	MP-U-I 33-37 1" M8/10/1/2"	37	70	20x1,0	45	3	1	M5x22
2242290	MP-U-I 37-42 M8/10/1/2"	42	75	20x1,0	47	3	1	M5x22
2242291	MP-U-I 42-47 1 1/4" M8/10/1/2"	47	80	20x1,0	50	3	1	M5x22
2242292	MP-U-I 47-52 1 1/2" M8/10/1/2"	52	85	20x1,0	52	3	1	M5x22
2242293	MP-U-I 52-57 M8/10/1/2"	57	90	20x1,0	55	3	1	M5x22
2242294	MP-U-I 57-62 2" M8/10/1/2"	62	95	20x1,0	57	3	1	M5x22
2242295	MP-U-I 62-67 M8/10/1/2"	67	110	24x1,5	61	3	2	M6x30
2242296	MP-U-I 67-72 M8/10/1/2"	72	115	24x1,5	63	3	2	M6x30
2242297	MP-U-I 72-77 2 1/2" M8/10/1/2"	77	120	24x1,5	66	3	2	M6x30
2242298	MP-U-I 78-84 M8/10/1/2"	84	127	24x1,5	69	3	2	M6x30
2242299	MP-U-I 84-90 3" M8/10/1/2"	90	133	24x1,5	72	3	2	M6x30
2242300	MP-U-I 90-96 M8/10/1/2"	96	139	24x1,5	75	3	2	M6x30
2242301	MP-U-I 97-103 M8/10/1/2"	103	152	24x1,8	79	3	3	M8x35
2242302	MP-U-I 103-109 M8/10/1/2"	109	160	24x1,8	82	3	3	M8x35
2242303	MP-U-I 109-115 4" M8/10/1/2"	115	166	24x1,8	85	3	3	M8x35
2242304	MP-U-I 115-121 M8/10/1/2"	121	172	24x1,8	88	3	3	M8x35
2242305	MP-U-I 122-128 M8/10/1/2"	128	179	24x1,8	92	3	3	M8x35
2242306	MP-U-I 129-135 M8/10/1/2"	135	186	24x1,8	95	3	3	M8x35
2305371	MP-U-I 135-141 5" M8/10/1/2"	141	192	24x1,8	98	3	3	M8x35
2305372	MP-U-I 141-147 M8/10/1/2"	147	201	24x2,0	101	3	3	M8x35
2305373	MP-U-I 147-153 M8/10/1/2"	153	207	24x2,0	104	3	3	M8x35
2305374	MP-U-I 154-160 M8/10/1/2"	160	214	24x2,0	108	3	3	M8x35
2305375	MP-U-I 160-166 6" M8/10/1/2"	166	220	24x2,0	111	3	3	M8x35
2305376	MP-U-I 164-170 M8/10/1/2"	170	224	24x2,0	113	3	3	M8x35

Hilti ultimate pipe clamps MP-U, MP-U-I and MP-U-G

Product Description  
 Dimensions

Annex A6

Figure A4: Geometry and dimensions of Hilti ultimate pipe clamps MP-U-I M8



Dimensions in mm

Table A7: Materials of pipe clamps MP-U-I M8

Components of pipe ring	Materials
Clamping strip	DC01 in accordance with EN 10130 for the 1,0 mm strip DD11 MOD 360 in accordance with EN 10111 for the 1,5 mm, 1,8 mm and 2,0 mm strip
Connection head	Property class $\geq 5$ in accordance with ISO 898-2
Clamping screw M5, M6, M8	Strength class $\geq 4.8$ in accordance with EN ISO 7045
Plate	DC01 in accordance with EN 10130 for the 1,2 mm plate DD11 MOD 360 in accordance with EN 10111 for the 1,8 mm, 2,0 mm plate
Washer	HDPE
O-Ring	EPDM / NBR
Rubber inlays	TPE

Hilti ultimate pipe clamps MP-U, MP-U-I and MP-U-G

Product Description  
 Dimensions and materials

Annex A7

**Table A8: Dimensions and tightening torque of pipe clamps MP-U-I M8**

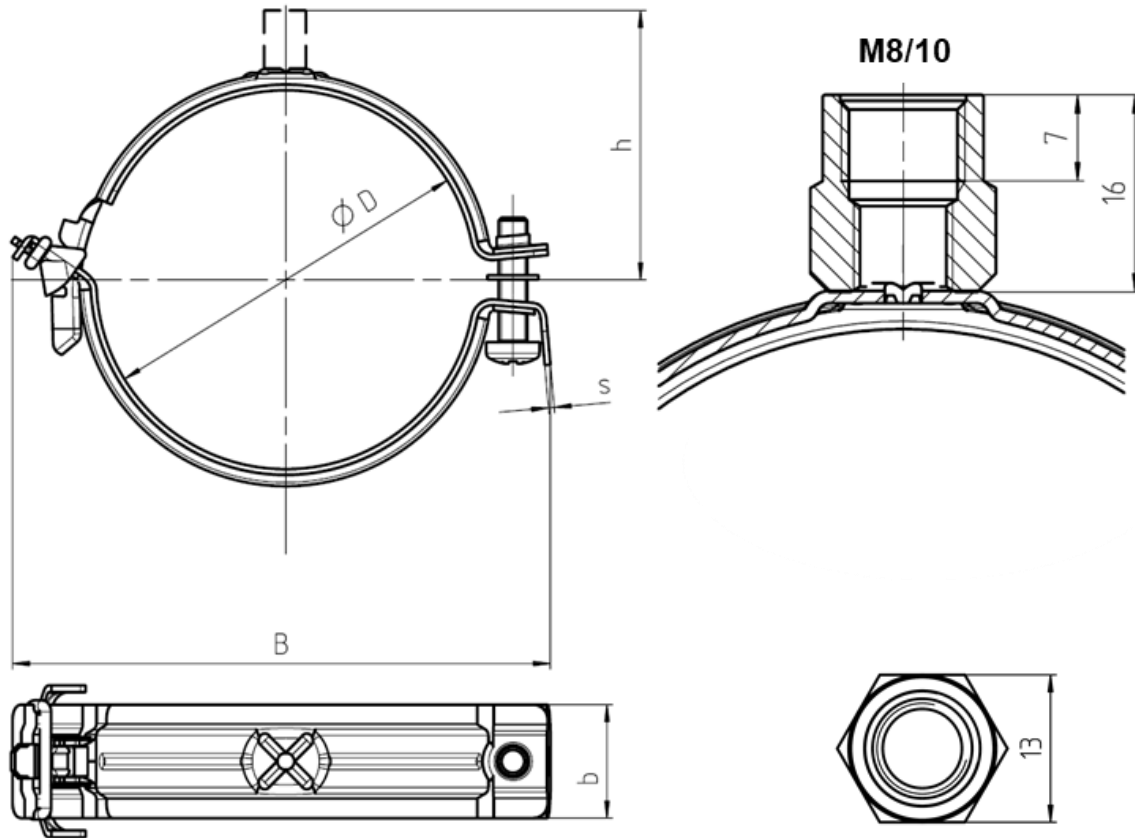
Item number	Designation	D [mm]	B [mm]	b x s [mm]	h [mm]	No. teeth	Tightening torque [Nm]	Screw size
2242237	MP-U-I 9-13 1/8" M8	13	46	20x1,0	18	2	1	M5x18
2242238	MP-U-I 13-17 1/4" M8	17	49	20x1,0	20	2	1	M5x18
2242239	MP-U-I 17-21 3/8" M8	21	53	20x1,0	22	2	1	M5x18
2242250	MP-U-I 21-25 1/2" M8	25	56	20x1,0	24	3	1	M5x22
2242251	MP-U-I 25-29 3/4" M8	29	62	20x1,0	27	3	1	M5x22
2242252	MP-U-I 29-33 M8	33	66	20x1,0	29	3	1	M5x22
2242253	MP-U-I 33-37 1" M8	37	70	20x1,0	31	3	1	M5x22
2242254	MP-U-I 37-42 M8	42	75	20x1,0	33	3	1	M5x22
2242255	MP-U-I 42-47 1 1/4" M8	47	80	20x1,0	36	3	1	M5x22
2242256	MP-U-I 47-52 1 1/2" M8	52	85	20x1,0	38	3	1	M5x22
2242263	MP-U-I 52-57 M8	57	90	20x1,0	41	3	1	M5x22
2242264	MP-U-I 57-62 2" M8	62	95	20x1,0	43	3	1	M5x22

Hilti ultimate pipe clamps MP-U, MP-U-I and MP-U-G

**Product Description**  
 Dimensions

**Annex A8**

Figure A5: Geometry and dimensions of Hilti ultimate pipe clamps MP-U M8/10



Dimensions in mm

Table A9: Materials of pipe clamps MP-U M8/10

Components of pipe ring	Materials
Clamping strip	DC01 in accordance with EN 10130 for the 1,0 mm strip DD11 MOD 360 in accordance with EN 10111 for the 1,5 mm, 1,8 mm and 2,0 mm strip
Connection head	Property class $\geq 5$ in accordance with ISO 898-2
Clamping screw M5, M6, M8	Strength class $\geq 4.8$ in accordance with EN ISO 7045
Plate	DC01 in accordance with EN 10130 for the 1,2 mm plate DD11 MOD 360 in accordance with EN 10111 for the 1.8 mm, 2.0 mm plate
Washer	HDPE
O-Ring	EPDM / NBR

Hilti ultimate pipe clamps MP-U, MP-U-I and MP-U-G

Product Description  
 Dimensions and materials

Annex A9

**Table A10: Dimensions and tightening torque of pipe clamps MP-U M8/10**

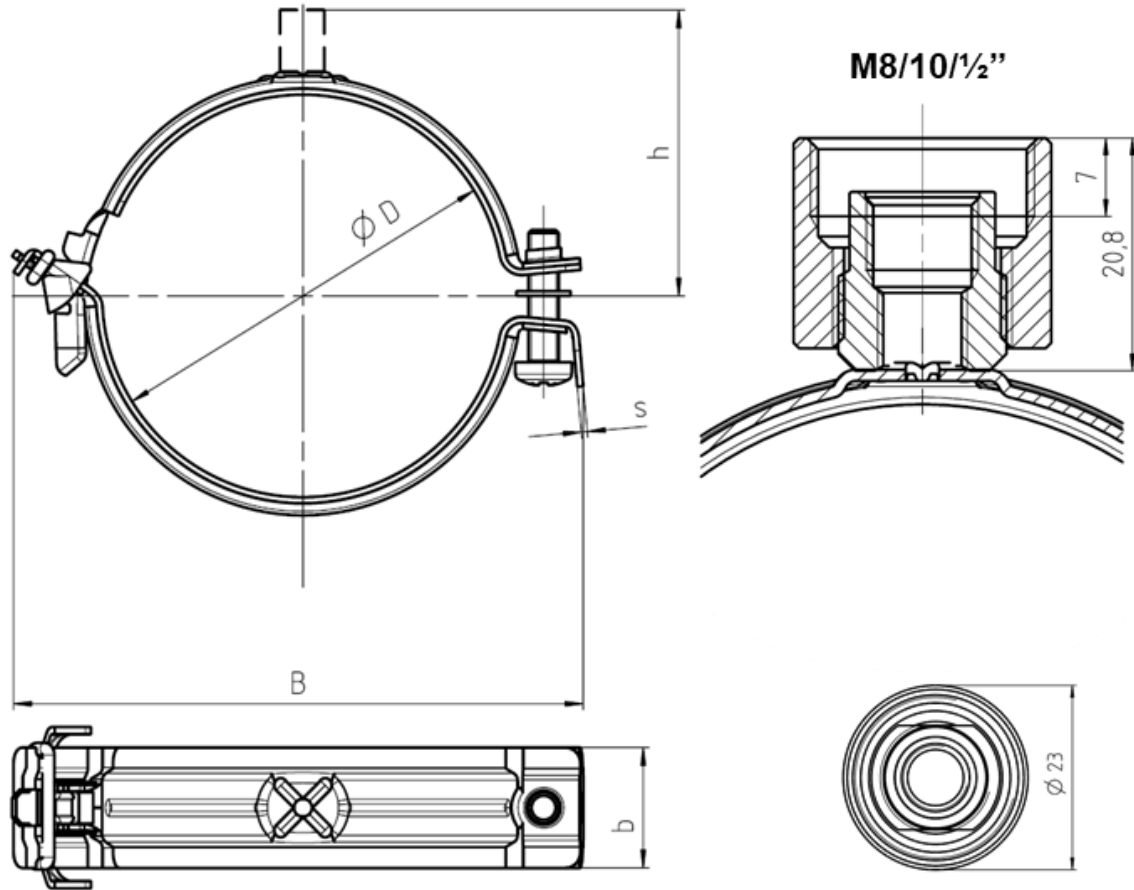
Item number	Designation	D [mm]	B [mm]	b x s [mm]	h [mm]	No. teeth	Tightening torque [Nm]	Screw size
2242334	MP-U 13-17 ¼" M8/10	17	46	20x1,0	28	2	1	M5x18
2242335	MP-U 16-20 3/8" M8/10	20	49	20x1,0	29	2	1	M5x18
2242336	MP-U 20-24 ½" M8/10	24	53	20x1,0	31	2	1	M5x18
2242337	MP-U 25-29 ¾" M8/10	29	56	20x1,0	34	3	1	M5x22
2242338	MP-U 30-34 1" M8/10	34	62	20x1,0	36	3	1	M5x22
2242339	MP-U 34-38 M8/10	38	66	20x1,0	38	3	1	M5x22
2242340	MP-U 38-42 M8/10	42	70	20x1,0	40	3	1	M5x22
2242341	MP-U 42-47 1 ¼" M8/10	47	75	20x1,0	43	3	1	M5x22
2242342	MP-U 47-52 1 ½" M8/10	52	80	20x1,0	45	3	1	M5x22
2242343	MP-U 52-57 M8/10	57	85	20x1,0	48	3	1	M5x22
2242344	MP-U 57-62 2" M8/10	62	90	20x1,0	50	3	1	M5x22
2242345	MP-U 62-67 M8/10	67	95	20x1,0	53	3	1	M5x22
2242346	MP-U 67-72 M8/10	72	110	24x1,5	56	3	2	M6x30
2242347	MP-U 72-77 2 ½" M8/10	77	115	24x1,5	58	3	2	M6x30
2242348	MP-U 77-82 M8/10	82	120	24x1,5	61	3	2	M6x30
2242349	MP-U 83-89 3" M8/10	89	127	24x1,5	64	3	2	M6x30
2242350	MP-U 89-95 M8/10	95	133	24x1,5	67	3	2	M6x30
2242351	MP-U 95-101 M8/10	101	139	24x1,5	70	3	2	M6x30
2242352	MP-U 102-108 M8/10	108	152	24x1,8	74	3	3	M8x35
2242353	MP-U 109-115 4" M8/10	115	160	24x1,8	78	3	3	M8x35
2242354	MP-U 115-121 M8/10	121	166	24x1,8	81	3	3	M8x35
2242355	MP-U 121-127 M8/10	127	172	24x1,8	84	3	3	M8x35
2242356	MP-U 128-134 M8/10	134	179	24x1,8	87	3	3	M8x35
2242357	MP-U 135-141 5" M8/10	141	186	24x1,8	91	3	3	M8x35
2305351	MP-U 141-147 M8/10	147	192	24x1,8	94	3	3	M8x35
2305352	MP-U 147-153 M8/10	153	201	24x2,0	97	3	3	M8x35
2305353	MP-U 153-159 M8/10	159	207	24x2,0	100	3	3	M8x35
2305354	MP-U 160-166 6" M8/10	166	214	24x2,0	103	3	3	M8x35
2305355	MP-U 166-172 M8/10	172	220	24x2,0	106	3	3	M8x35
2305356	MP-U 170-176 M8/10	176	224	24x2,0	108	3	3	M8x35

Hilti ultimate pipe clamps MP-U, MP-U-I and MP-U-G

**Product Description**  
 Dimensions

**Annex A10**

Figure A6: Geometry and dimensions of Hilti pipe clamps MP-U M8/10/1/2"



Dimensions in mm

Table A11: Materials of pipe clamps MP-U M8/10/1/2"

Components of pipe ring	Materials
Clamping strip	DC01 in accordance with EN 10130 for the 1,0 mm strip DD11 MOD 360 in accordance with EN 10111 for the 1,5 mm, 1,8 mm and 2,0 mm strip
Connection head	Property class $\geq 5$ in accordance with ISO 898-2
Clamping screw M5, M6, M8	Strength class $\geq 4.8$ in accordance with EN ISO 7045
Plate	DC01 in accordance with EN 10130 for the 1,2 mm plate DD11 MOD 360 in accordance with EN 10111 for the 1.8 mm, 2.0 mm plate
Washer	HDPE
O-Ring	EPDM / NBR

Hilti ultimate pipe clamps MP-U, MP-U-I and MP-U-G

Product Description  
 Dimensions

Annex A11

**Table A12: Dimensions and tightening torque of Hilti ultimate pipe clamps MP-U M8/10/1/2"**

Item number	Designation	D [mm]	B [mm]	b x s [mm]	h [mm]	No. teeth	Tightening torque [Nm]	Screw size
2242359	MP-U 13-17 1/4" M8/10/1/2"	17	46	20x1,0	32	2	1	M5x18
2242360	MP-U 16-20 3/8" M8/10/1/2"	20	49	20x1,0	34	2	1	M5x18
2242361	MP-U 20-24 1/2" M8/10/1/2"	24	53	20x1,0	36	2	1	M5x18
2242362	MP-U 25-29 3/4" M8/10/1/2"	29	56	20x1,0	38	3	1	M5x22
2242363	MP-U 30-34 1" M8/10/1/2"	34	62	20x1,0	41	3	1	M5x22
2242364	MP-U 34-38 M8/10/1/2"	38	66	20x1,0	43	3	1	M5x22
2242365	MP-U 38-42 M8/10/1/2"	42	70	20x1,0	45	3	1	M5x22
2242366	MP-U 42-47 1 1/4" M8/10/1/2"	47	75	20x1,0	47	3	1	M5x22
2242367	MP-U 47-52 1 1/2" M8/10/1/2"	52	80	20x1,0	50	3	1	M5x22
2242368	MP-U 52-57 M8/10/1/2"	57	85	20x1,0	52	3	1	M5x22
2242369	MP-U 57-62 2" M8/10/1/2"	62	90	20x1,0	55	3	1	M5x22
2242370	MP-U 62-67 M8/10/1/2"	67	95	20x1,0	57	3	1	M5x22
2242371	MP-U 67-72 M8/10/1/2"	72	110	24x1,5	61	3	2	M6x30
2242372	MP-U 72-77 2 1/2" M8/10/1/2"	77	115	24x1,5	63	3	2	M6x30
2242373	MP-U 77-82 M8/10/1/2"	82	120	24x1,5	66	3	2	M6x30
2242374	MP-U 83-89 3" M8/10/1/2"	89	127	24x1,5	69	3	2	M6x30
2242375	MP-U 89-95 M8/10/1/2"	95	133	24x1,5	72	3	2	M6x30
2242376	MP-U 95-101 M8/10/1/2"	101	139	24x1,5	75	3	2	M6x30
2242377	MP-U 102-108 M8/10/1/2"	108	152	24x1,8	79	3	3	M8x35
2242378	MP-U 109-115 4" M8/10/1/2"	115	160	24x1,8	82	3	3	M8x35
2242379	MP-U 115-121 M8/10/1/2"	121	166	24x1,8	85	3	3	M8x35
2242380	MP-U 121-127 M8/10/1/2"	127	172	24x1,8	88	3	3	M8x35
2242235	MP-U 128-134 M8/10/1/2"	134	179	24x1,8	92	3	3	M8x35
2242332	MP-U 135-141 5" M8/10/1/2"	141	186	24x1,8	95	3	3	M8x35
2305357	MP-U 141-147 M8/10/1/2"	147	192	24x1,8	98	3	3	M8x35
2305358	MP-U 147-153 M8/10/1/2"	153	201	24x2,0	101	3	3	M8x35
2305359	MP-U 153-159 M8/10/1/2"	159	207	24x2,0	104	3	3	M8x35
2305360	MP-U 160-166 6" M8/10/1/2"	166	214	24x2,0	108	3	3	M8x35
2305361	MP-U 166-172 M8/10/1/2"	172	220	24x2,0	111	3	3	M8x35
2305362	MP-U 170-176 M8/10/1/2"	176	224	24x2,0	113	3	3	M8x35

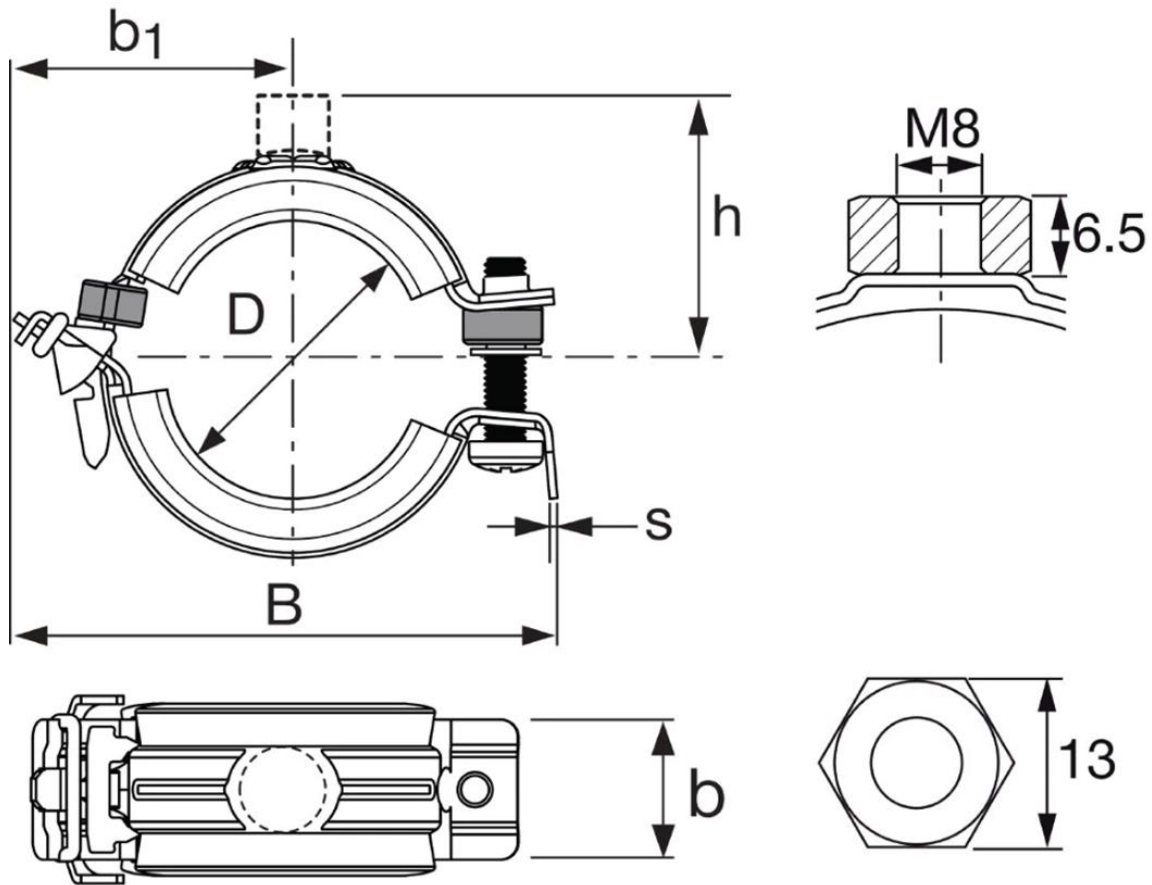
Hilti ultimate pipe clamps MP-U, MP-U-I and MP-U-G

Product Description  
 Dimensions

Annex A12



Figure A7: Geometry and dimensions of Hilti pipe clamps MP-U-G M8



Dimensions in mm

Table A13: Materials of pipe clamps MP-U-G M8

Components of pipe ring	Materials
Clamping strip	DC01 in accordance with EN 10130 for the 1,0 mm strip DD11 MOD 360 in accordance with EN 10111 for the 1,5 mm, 1,8 mm and 2,0 mm strip
Connection head	Property class $\geq 5$ in accordance with ISO 898-2
Clamping screw M5, M6, M8	Strength class $\geq 4.8$ in accordance with EN ISO 7045
Plate	DC01 in accordance with EN 10130 for the 1,2 mm plate DD11 MOD 360 in accordance with EN 10111 for the 1,8 mm, 2,0 mm plate
Washer	HDPE
O-Ring	EPDM / NBR
Rubber inlays	EPDM
Spacer	PA6-GF30

Hilti ultimate pipe clamps MP-U, MP-U-I and MP-U-G

Product Description  
 Dimensions

Annex A13

**Table A14: Dimensions and tightening torque of pipe clamps MP-U-G M8**

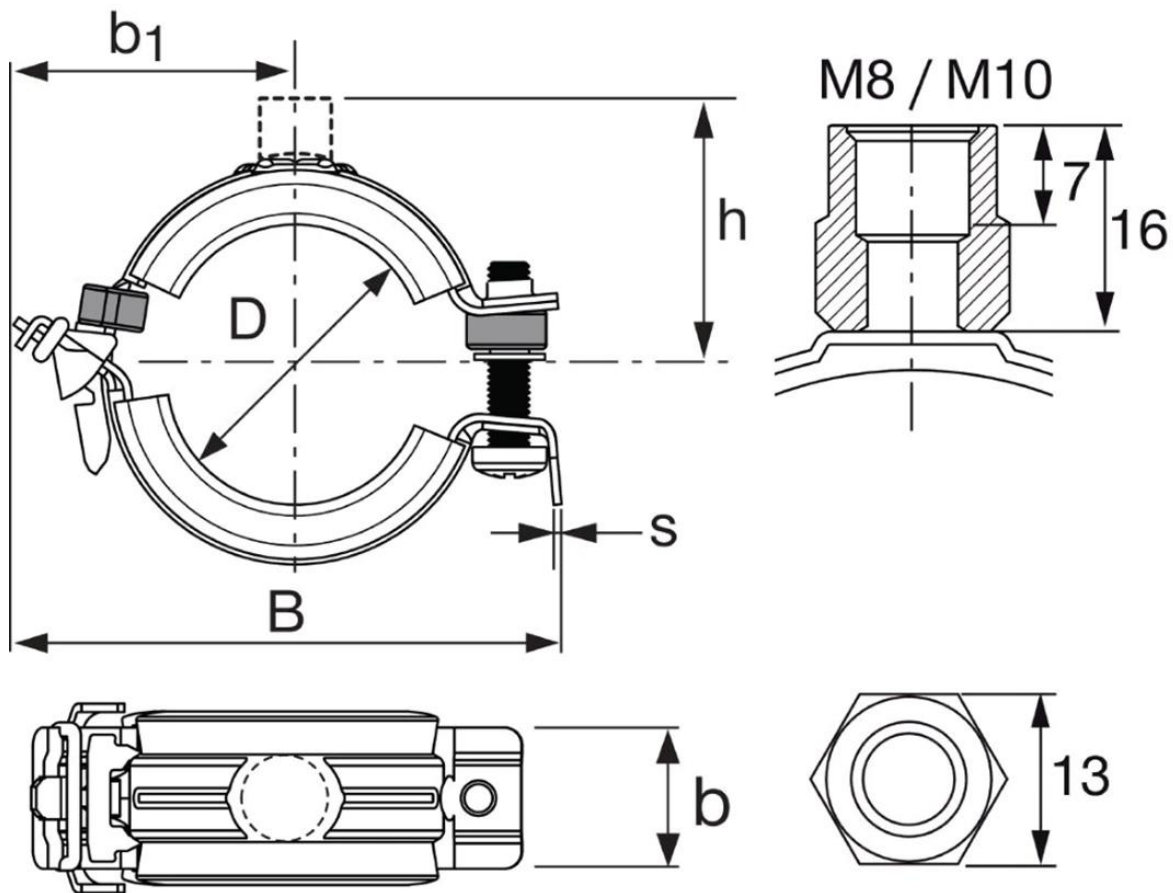
Item number	Designation	D [mm]	B [mm]	b x s [mm]	h [mm]	No. teeth	Screw size
2275020	MP-U-G 16 M8	16	53	20x1.0	22	2	M5x18
2275021	MP-U-G 20 M8	20	56	20x1.0	24	3	M5x22
2275022	MP-U-G 25 M8	25	62	20x1.0	27	3	M5x22
2275023	MP-U-G 32 M8	32	70	20x1.0	31	3	M5x22
2275024	MP-U-G 40 M8	40	75	20x1.0	33	3	M5x22
2275025	MP-U-G 50 M8	50	85	20x1.0	38	3	M5x22
2275026	MP-U-G 56 M8	56	95	20x1.0	43	3	M5x22

Hilti ultimate pipe clamps MP-U, MP-U-I and MP-U-G

**Product Description**  
 Dimensions

**Annex A14**

Figure A8: Geometry and dimensions of Hilti pipe clamps MP-U-G M8/10



Dimensions in mm

Table A15: Materials of pipe clamps MP-U-G M8/10

Components of pipe ring	Materials
Clamping strip	DC01 in accordance with EN 10130 for the 1,0 mm strip DD11 MOD 360 in accordance with EN 10111 for the 1,5 mm, 1,8 mm and 2,0 mm strip
Connection head	Property class $\geq 5$ in accordance with ISO 898-2
Clamping screw M5, M6, M8	Strength class $\geq 4.8$ in accordance with EN ISO 7045
Plate	DC01 in accordance with EN 10130 for the 1,2 mm plate DD11 MOD 360 in accordance with EN 10111 for the 1,8 mm, 2,0 mm plate
Washer	HDPE
O-Ring	EPDM / NBR
Rubber inlays	EPDM
Spacer	PA6-GF30

Hilti ultimate pipe clamps MP-U, MP-U-I and MP-U-G

Product Description  
 Dimensions

Annex A15

**Table A16: Dimensions and tightening torque of Hilti ultimate pipe clamps MP-U-G M8/10**

Item number	Designation	D [mm]	B [mm]	b x s [mm]	h [mm]	No. teeth	Screw size
2275028	MP-U-G 16 M8/10	16	53	20x1.0	31	2	M5x18
2275029	MP-U-G 20 M8/10	20	56	20x1.0	34	3	M5x22
2275030	MP-U-G 25 M8/10	25	62	20x1.0	36	3	M5x22
2275031	MP-U-G 32 M8/10	32	70	20x1.0	40	3	M5x22
2275032	MP-U-G 40 M8/10	40	75	20x1.0	43	3	M5x22
2275033	MP-U-G 50 M8/10	50	85	20x1.0	48	3	M5x22
2275034	MP-U-G 56 M8/10	56	95	20x1.0	53	3	M5x22
2275035	MP-U-G 63 M8/10	63	115	24x1.5	58	3	M6x30
2275036	MP-U-G 75 M8/10	75	127	24x1.5	64	3	M6x30
2275037	MP-U-G 90 M8/10	90	152	24x1.8	74	3	M8x35
2275038	MP-U-G 110 M8/10	110	172	24x1.8	84	3	M8x35
2275039	MP-U-G 125 M8/10	125	186	24x1.8	91	3	M8x35
2275040	MP-U-G 135 M8/10	135	201	24x2.0	97	3	M8x35
2275041	MP-U-G 160 M8/10	160	224	24x2.0	108	3	M8x35

Hilti ultimate pipe clamps MP-U, MP-U-I and MP-U-G

**Product Description**  
 Dimensions

**Annex A16**

Figure A9: Geometry and dimensions of Hilti pipe clamps MP-U-G M8/10/1/2"

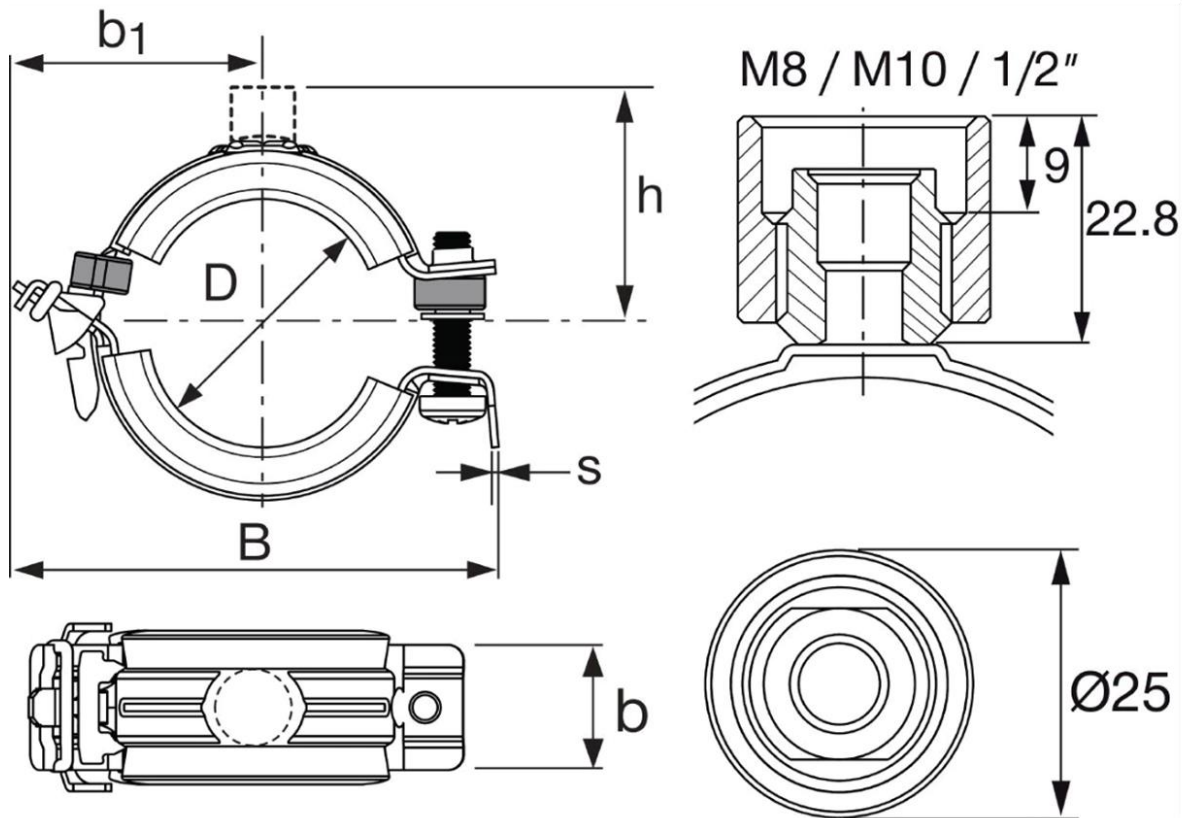


Table A17: Materials of pipe clamps MP-U-I M8/10/1/2"

Components of pipe ring	Materials
Clamping strip	DC01 in accordance with EN 10130 for the 1,0 mm strip DD11 MOD 360 in accordance with EN 10111 for the 1,5 mm, 1,8 mm and 2,0 mm strip
Connection head	Property class $\geq 5$ in accordance with ISO 898-2
Clamping screw M5, M6, M8	Strength class $\geq 4.8$ in accordance with EN ISO 7045
Plate	DC01 in accordance with EN 10130 for the 1,2 mm plate DD11 MOD 360 in accordance with EN 10111 for the 1,8 mm, 2,0 mm plate
Washer	HDPE
O-Ring	EPDM / NBR
Rubber inlays	EPDM
Spacer	PA6-GF30

Hilti ultimate pipe clamps MP-U, MP-U-I and MP-U-G

Product Description  
 Dimensions

Annex A17

**Table A18: Dimensions and tightening torque of Hilti ultimate pipe clamps MP-U-G M8/10**

Item number	Designation	D [mm]	B [mm]	b x s [mm]	h [mm]	No. teeth	Screw size
2275042	MP-U-G 50 M8/10/1/2"	50	85	20x1.0	54	3	M5x22
2275043	MP-U-G 56 M8/10/1/2"	56	95	20x1.0	59	3	M5x22
2275044	MP-U-G 63 M8/10/1/2"	63	115	24x1.5	65	3	M6x30
2275045	MP-U-G 75 M8/10/1/2"	75	127	24x1.5	71	3	M6x30
2275046	MP-U-G 90 M8/10/1/2"	90	152	24x1.8	81	3	M8x35
2275047	MP-U-G 110 M8/10/1/2"	110	172	24x1.8	90	3	M8x35
2275048	MP-U-G 125 M8/10/1/2"	125	186	24x1.8	97	3	M8x35
2275049	MP-U-G 135 M8/10/1/2"	135	201	24x2.0	103	3	M8x35
2274899	MP-U-G 160 M8/10/1/2"	160	224	24x2.0	115	3	M8x35

Hilti ultimate pipe clamps MP-U, MP-U-I and MP-U-G

**Product Description**  
 Dimensions

**Annex A18**

- Hilti ultimate pipe clamps MP-U, MP-U-I and MP-U-G are used to transfer the loads of building services components such as equipment for sprinkler, water, heating, cooling, ventilation, electrical and other installations. The pipe clamps are suitable for undertaking this load-bearing function under the conditions described in Section 2 of this European Technical Assessment.
- The resistance and deformation in case of fire are referring to the boundary conditions of the standard temperature time curve (STTC) in accordance with EN 1363-1.
- The performance data for the pipe clamp results in conjunction with the threaded rods as per Table B1.
- The pipe clamps must be installed by appropriately qualified personnel and under the supervision of the site manager. The general installation instructions of the manufacturer apply.
- The resistance and deformation at ambient temperatures and in case of fire apply for static and centric actions.
- The screw of the the pipe clamps must be tightened consistently with a torque from 1 to 3 Nm in accordance with the instructions for use.
- Prior to installation, it must be ensured that the pipe to be inserted, the anchoring of the threaded rods to the base material and the base material itself are suitable to withstand the resistance values of the pipe clamps and that they have a fireproof certificate.

**Table B1: Threaded rods for use with Hilti Ultimate Pipe clamps MP-U, MP-U-I and MP-U-G**

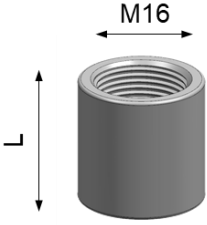
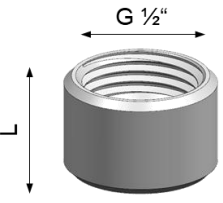
Illustration	Item number	Designation	Thread	L [mm]	Material
	216415	AM8x1000 4.8	M8	3000	Strength class 4.8 in accordance with DIN 976-1, zinc coated
	339794	AM8x2000 4.8	M8	2000	
	339793	AM8x3000 4.8	M8	1000	
	216418	AM10x3000 4.8	M10	3000	
	339796	AM10x2000 4.8	M10	2000	
	339795	AM10x1000 4.8	M10	1000	
	216424	AM16x3000 4.8	M16	3000	
	216423	AM16x2000 4.8	M16	2000	
	216422	AM16x1000 4.8	M16	1000	
	56428	GR-G 1/2" – 2m	G 1/2"	2000	Strength class 4.6, zinc coated

Hilti ultimate pipe clamps MP-U, MP-U-I and MP-U-G

Requirements for performance assessment

Annex B1

**Table B2: Thread adapters for use with Hilti Ultimate Pipe clamps MP-U, MP-U-I and MP-U-G M8/10/O16**

Illustration	Item number	Designation	Thread	L [mm]	Material
	2244772	MP-GA M16	M16	21	Property class $\geq 5$ in accordance with ISO 898-2
	2244773	MP-GA 1/2"	G 1/2"	18.8	

Hilti ultimate pipe clamps MP-U, MP-U-I and MP-U-G

Requirements for performance assessment

Annex B2



**Table C1: Characteristic tensile strength at ambient temperature for MP-U-I M8/10**

Item number	Designation	Characteristic tensile strength $F_{Rk}$ [N]	Partial safety coefficient <sup>1)</sup> $\gamma_m$ [-]
2242258	MP-U-I 9-13 1/8" M8/10	1476	1,85
2242259	MP-U-I 13-17 1/4" M8/10		
2242260	MP-U-I 17-21 3/8" M8/10		
2242261	MP-U-I 21-25 1/2" M8/10		
2242262	MP-U-I 25-29 3/4" M8/10		
2242263	MP-U-I 29-33 M8/10		
2242264	MP-U-I 33-37 1" M8/10		
2242265	MP-U-I 37-42 M8/10	2196	2,75
2242266	MP-U-I 42-47 1 1/4" M8/10		
2242267	MP-U-I 47-52 1 1/2" M8/10		
2242268	MP-U-I 52-57 M8/10		
2242269	MP-U-I 57-62 2" M8/10		
2242270	MP-U-I 62-67 M8/10	4423	3,16
2242271	MP-U-I 67-72 M8/10		
2242272	MP-U-I 72-77 2 1/2" M8/10		
2242273	MP-U-I 78-84 M8/10		
2242274	MP-U-I 84-90 3" M8/10		
2242275	MP-U-I 90-96 M8/10		
2242276	MP-U-I 97-103 M8/10	4038	2,24
2242277	MP-U-I 103-109 M8/10		
2242278	MP-U-I 109-115 4" M8/10		
2242279	MP-U-I 115-121 M8/10		
2242280	MP-U-I 122-128 M8/10		
2242281	MP-U-I 129-135 M8/10		
2305365	MP-U-I 135-141 5" M8/10		
2305366	MP-U-I 141-147 M8/10		
2305367	MP-U-I 147-153 M8/10		
2305368	MP-U-I 154-160 M8/10		
2305369	MP-U-I 160-166 6" M8/10		
2305370	MP-U-I 164-170 M8/10		

<sup>1)</sup> provided that no other national regulations apply

Hilti ultimate pipe clamps MP-U, MP-U-I and MP-U-G

Characteristic tensile strength at ambient temperature

Annex C1

**Table C2: Service load and deformation at ambient temperature for MP-U-I M8/10**

Item number	Designation	Service load F <sub>SLs</sub> [N]	Associated deformation [mm]
2242258	MP-U-I 9-13 1/8" M8/10	879	1,50
2242259	MP-U-I 13-17 1/4" M8/10		
2242260	MP-U-I 17-21 3/8" M8/10		
2242261	MP-U-I 21-25 1/2" M8/10		
2242262	MP-U-I 25-29 3/4" M8/10		
2242263	MP-U-I 29-33 M8/10		
2242264	MP-U-I 33-37 1" M8/10		
2242265	MP-U-I 37-42 M8/10	1053	1,50
2242266	MP-U-I 42-47 1 1/4" M8/10		
2242267	MP-U-I 47-52 1 1/2" M8/10		
2242268	MP-U-I 52-57 M8/10		
2242269	MP-U-I 57-62 2" M8/10		
2242270	MP-U-I 62-67 M8/10	1762	1,50
2242271	MP-U-I 67-72 M8/10		
2242272	MP-U-I 72-77 2 1/2" M8/10		
2242273	MP-U-I 78-84 M8/10		
2242274	MP-U-I 84-90 3" M8/10		
2242275	MP-U-I 90-96 M8/10		
2242276	MP-U-I 97-103 M8/10	2072	2,06
2242277	MP-U-I 103-109 M8/10		
2242278	MP-U-I 109-115 4" M8/10		
2242279	MP-U-I 115-121 M8/10		
2242280	MP-U-I 122-128 M8/10		
2242281	MP-U-I 129-135 M8/10	2449	3,68
2305365	MP-U-I 135-141 5" M8/10		
2305366	MP-U-I 141-147 M8/10		
2305367	MP-U-I 147-153 M8/10		
2305368	MP-U-I 154-160 M8/10		
2305369	MP-U-I 160-166 6" M8/10		
2305370	MP-U-I 164-170 M8/10		

Hilti ultimate pipe clamps MP-U, MP-U-I and MP-U-G

Service load and deformation at ambient temperature

Annex C2

**Table C3: Characteristic tensile strength at ambient temperature for MP-U-I M8/10/O16**

Item number	Designation	Characteristic tensile strength $F_{Rk}$ [N]	Partial safety coefficient <sup>1)</sup> $\gamma_m$ [-]
2242308	MP-U-I 9-13 1/8" M8/10/O16	1476	1,85
2242309	MP-U-I 13-17 1/4" M8/10/O16		
2242310	MP-U-I 17-21 3/8" M8/10/O16		
2242311	MP-U-I 21-25 1/2" M8/10/O16		
2242312	MP-U-I 25-29 3/4" M8/10/O16		
2242313	MP-U-I 29-33 M8/10/O16		
2242314	MP-U-I 33-37 1" M8/10/O16		
2242315	MP-U-I 37-42 M8/10/O16	2196	2,75
2242316	MP-U-I 42-47 1 1/4" M8/10/O16		
2242317	MP-U-I 47-52 1 1/2" M8/10/O16		
2242318	MP-U-I 52-57 M8/10/O16		
2242319	MP-U-I 57-62 2" M8/10/O16		
2242320	MP-U-I 62-67 M8/10/O16	4423	3,16
2242321	MP-U-I 67-72 M8/10/O16		
2242322	MP-U-I 72-77 2 1/2" M8/10/O16		
2242323	MP-U-I 78-84 M8/10/O16		
2242324	MP-U-I 84-90 3" M8/10/O16		
2242325	MP-U-I 90-96 M8/10/O16		
2242326	MP-U-I 97-103 M8/10/O16	4038	2,24
2242327	MP-U-I 103-109 M8/10/O16		
2242328	MP-U-I 109-115 4" M8/10/O16		
2242329	MP-U-I 115-121 M8/10/O16		
2242330	MP-U-I 122-128 M8/10/O16		
2242331	MP-U-I 129-135 M8/10/O16		
2305377	MP-U-I 135-141 5" M8/10/O16		
2305378	MP-U-I 141-147 M8/10/O16		
2305379	MP-U-I 147-153 M8/10/O16		
2305380	MP-U-I 154-160 M8/10/O16		
2305381	MP-U-I 160-166 6" M8/10/O16		
2305382	MP-U-I 164-170 M8/10/O16		

<sup>1)</sup> provided that no other national regulations apply

Hilti ultimate pipe clamps MP-U, MP-U-I and MP-U-G

Characteristic tensile strength at ambient temperature

Annex C3

**Table C4: Service load and deformation at ambient temperature for MP-U-I M8/10/O16**

Item number	Designation	Service load F <sub>SLS</sub> [N]	Associated deformation [mm]
2242308	MP-U-I 9-13 1/8" M8/10/O16	879	1,50
2242309	MP-U-I 13-17 1/4" M8/10/O16		
2242310	MP-U-I 17-21 3/8" M8/10/O16		
2242311	MP-U-I 21-25 1/2" M8/10/O16		
2242312	MP-U-I 25-29 3/4" M8/10/O16		
2242313	MP-U-I 29-33 M8/10/O16		
2242314	MP-U-I 33-37 1" M8/10/O16		
2242315	MP-U-I 37-42 M8/10/O16	1053	1,50
2242316	MP-U-I 42-47 1 1/4" M8/10/O16		
2242317	MP-U-I 47-52 1 1/2" M8/10/O16		
2242318	MP-U-I 52-57 M8/10/O16		
2242319	MP-U-I 57-62 2" M8/10/O16		
2242320	MP-U-I 62-67 M8/10/O16	1762	1,50
2242321	MP-U-I 67-72 M8/10/O16		
2242322	MP-U-I 72-77 2 1/2" M8/10/O16		
2242323	MP-U-I 78-84 M8/10/O16		
2242324	MP-U-I 84-90 3" M8/10/O16		
2242325	MP-U-I 90-96 M8/10/O16	2072	2,06
2242326	MP-U-I 97-103 M8/10/O16		
2242327	MP-U-I 103-109 M8/10/O16		
2242328	MP-U-I 109-115 4" M8/10/O16		
2242329	MP-U-I 115-121 M8/10/O16		
2242330	MP-U-I 122-128 M8/10/O16	2449	3,68
2242331	MP-U-I 129-135 M8/10/O16		
2305377	MP-U-I 135-141 5" M8/10/O16		
2305378	MP-U-I 141-147 M8/10/O16		
2305379	MP-U-I 147-153 M8/10/O16		
2305380	MP-U-I 154-160 M8/10/O16	2449	3,68
2305381	MP-U-I 160-166 6" M8/10/O16		
2305382	MP-U-I 164-170 M8/10/O16		

Hilti ultimate pipe clamps MP-U, MP-U-I and MP-U-G

Service load and deformation at ambient temperature

Annex C4

**Table C5: Characteristic tensile strength at ambient temperature for MP-U-I M8/10/1/2"**

Item number	Designation	Characteristic tensile strength $F_{Rk}$ [N]	Partial safety coefficient <sup>1)</sup> $\gamma_m$ [-]
2242283	MP-U-I 9-13 1/8" M8/10/1/2"	1476	1,85
2242284	MP-U-I 13-17 1/4" M8/10/1/2"		
2242285	MP-U-I 17-21 3/8" M8/10/1/2"		
2242286	MP-U-I 21-25 1/2" M8/10/1/2"		
2242287	MP-U-I 25-29 3/4" M8/10/1/2"		
2242288	MP-U-I 29-33 M8/10/1/2"		
2242289	MP-U-I 33-37 1" M8/10/1/2"		
2242290	MP-U-I 37-42 M8/10/1/2"	2196	2,75
2242291	MP-U-I 42-47 1 1/4" M8/10/1/2"		
2242292	MP-U-I 47-52 1 1/2" M8/10/1/2"		
2242293	MP-U-I 52-57 M8/10/1/2"		
2242294	MP-U-I 57-62 2" M8/10/1/2"		
2242295	MP-U-I 62-67 M8/10/1/2"	4423	3,16
2242296	MP-U-I 67-72 M8/10/1/2"		
2242297	MP-U-I 72-77 2 1/2" M8/10/1/2"		
2242298	MP-U-I 78-84 M8/10/1/2"		
2242299	MP-U-I 84-90 3" M8/10/1/2"		
2242300	MP-U-I 90-96 M8/10/1/2"	4038	2,24
2242301	MP-U-I 97-103 M8/10/1/2"		
2242302	MP-U-I 103-109 M8/10/1/2"		
2242303	MP-U-I 109-115 4" M8/10/1/2"		
2242304	MP-U-I 115-121 M8/10/1/2"		
2242305	MP-U-I 122-128 M8/10/1/2"		
2242306	MP-U-I 129-135 M8/10/1/2"	5061	2,11
2305371	MP-U-I 135-141 5" M8/10/1/2"		
2305372	MP-U-I 141-147 M8/10/1/2"		
2305373	MP-U-I 147-153 M8/10/1/2"		
2305374	MP-U-I 154-160 M8/10/1/2"		
2305375	MP-U-I 160-166 6" M8/10/1/2"		
2305376	MP-U-I 164-170 M8/10/1/2"		

<sup>1)</sup> provided that no other national regulations apply

Hilti ultimate pipe clamps MP-U, MP-U-I and MP-U-G

Characteristic tensile strength at ambient temperature

Annex C5

**Table C6: Service load and deformation at ambient temperature for MP-U-I M8/10½"**

Item number	Designation	Service load F <sub>SLS</sub> [N]	Associated deformation [mm]
2242283	MP-U-I 9-13 1/8" M8/10½"	879	1,50
2242284	MP-U-I 13-17 ¼" M8/10½"		
2242285	MP-U-I 17-21 3/8" M8/10½"		
2242286	MP-U-I 21-25 ½" M8/10½"		
2242287	MP-U-I 25-29 ¾" M8/10½"		
2242288	MP-U-I 29-33 M8/10½"		
2242289	MP-U-I 33-37 1" M8/10½"		
2242290	MP-U-I 37-42 M8/10½"	1053	1,50
2242291	MP-U-I 42-47 1 ¼" M8/10½"		
2242292	MP-U-I 47-52 1 ½" M8/10½"		
2242293	MP-U-I 52-57 M8/10½"		
2242294	MP-U-I 57-62 2" M8/10½"		
2242295	MP-U-I 62-67 M8/10½"	1762	1,50
2242296	MP-U-I 67-72 M8/10½"		
2242297	MP-U-I 72-77 2 ½" M8/10½"		
2242298	MP-U-I 78-84 M8/10½"		
2242299	MP-U-I 84-90 3" M8/10½"		
2242300	MP-U-I 90-96 M8/10½"		
2242301	MP-U-I 97-103 M8/10½"	2072	2,06
2242302	MP-U-I 103-109 M8/10½"		
2242303	MP-U-I 109-115 4" M8/10½"		
2242304	MP-U-I 115-121 M8/10½"		
2242305	MP-U-I 122-128 M8/10½"		
2242306	MP-U-I 129-135 M8/10½"		
2305371	MP-U-I 135-141 5" M8/10½"		
2305372	MP-U-I 141-147 M8/10½"		
2305373	MP-U-I 147-153 M8/10½"		
2305374	MP-U-I 154-160 M8/10½"		
2305375	MP-U-I 160-166 6" M8/10½"		
2305376	MP-U-I 164-170 M8/10½"		

Hilti ultimate pipe clamps MP-U, MP-U-I and MP-U-G

Service load and deformation at ambient temperature

Annex C6

**Table C7: Characteristic tensile strength at ambient temperature for MP-U-I M8**

Item number	Designation	Characteristic tensile strength $F_{Rk}$ [N]	Partial safety coefficient <sup>1)</sup> $\gamma_m$ [-]
2242237	MP-U-I 9-13 1,8" M8	1476	1,85
2242238	MP-U-I 13-17 1/4" M8		
2242239	MP-U-I 17-21 3/8 M8		
2242250	MP-U-I 21-25 1/2" M8		
2242251	MP-U-I 25-29 3/4" M8		
2242252	MP-U-I 29-33 M8		
2242253	MP-U-I 33-37 1" M8		
2242254	MP-U-I 37-42 M8	2924	3,66
2242255	MP-U-I 42-47 1 1/4" M8		
2242256	MP-U-I 47-52 1 1/2" M8		
2305363	MP-U-I 52-57 M8		
2305364	MP-U-I 57-62 2" M8		

<sup>1)</sup> provided that no other national regulations apply

Hilti ultimate pipe clamps MP-U, MP-U-I and MP-U-G

Characteristic tensile strength at ambient temperature

Annex C7

**Table C8: Service load and deformation at ambient temperature for MP-U-I M8**

Item number	Designation	Service load F <sub>SLS</sub> [N]	Associated deformation [mm]
2242237	MP-U-I 9-13 1,8" M8	943	1,50
2242238	MP-U-I 13-17 1/4" M8		
2242239	MP-U-I 17-21 3/8 M8		
2242250	MP-U-I 21-25 1/2" M8		
2242251	MP-U-I 25-29 3/4" M8		
2242252	MP-U-I 29-33 M8		
2242253	MP-U-I 33-37 1" M8		
2242254	MP-U-I 37-42 M8	946	1,50
2242255	MP-U-I 42-47 1 ¼" M8		
2242256	MP-U-I 47-52 1 ½" M8		
2305363	MP-U-I 52-57 M8		
2305364	MP-U-I 57-62 2" M8		

Hilti ultimate pipe clamps MP-U, MP-U-I and MP-U-G

Service load and deformation at ambient temperature

Annex C8



**Table C9: Characteristic tensile strength at ambient temperature for MP-U M8/10**

Item number	Designation	Characteristic tensile strength $F_{Rk}$ [N]	Partial safety coefficient <sup>1)</sup> $\gamma_m$ [-]
2242334	MP-U 13-17 ¼" M8/10	1476	1,85
2242335	MP-U 16-20 3/8" M8/10		
2242336	MP-U 20-24 ½" M8/10		
2242337	MP-U 25-29 ¾" M8/10		
2242338	MP-U 30-34 M8/10		
2242339	MP-U 34-38 1" M8/10		
2242340	MP-U 38-42 M8/10		
2242341	MP-U 42-47 1 ¼" M8/10	2196	2,75
2242342	MP-U 47-52 1 ½" M8/10		
2242343	MP-U 52-57 M8/10		
2242344	MP-U 57-62 2" M8/10		
2242345	MP-U 62-67 M8/10		
2242346	MP-U 67-72 M8/10		
2242347	MP-U 72-77 2 ½" M8/10	4423	3,16
2242348	MP-U 77-82 M8/10		
2242349	MP-U 83-89 3" M8/10		
2242350	MP-U 89-95 M8/10		
2242351	MP-U 95-101 M8/10		
2242352	MP-U 102-108 M8/10		
2242353	MP-U 109-115 4" M8/10		
2242354	MP-U 115-121 M8/10		
2242355	MP-U 121-127 M8/10		
2242356	MP-U 128-134 M8/10		
2242357	MP-U 135-141 5" M8/10		
2305351	MP-U 141-147 M8/10	5061	2,11
2305352	MP-U 147-153 M8/10		
2305353	MP-U 153-159 M8/10		
2305354	MP-U 160-166 6" M8/10		
2305355	MP-U 166-172 M8/10		
2305356	MP-U 170-176 M8/10		

<sup>1)</sup> provided that no other national regulations apply

Hilti ultimate pipe clamps MP-U, MP-U-I and MP-U-G

Characteristic tensile strength at ambient temperature

Annex C9

**Table C10: Service load and deformation at ambient temperature for MP-U M8/10**

Item number	Designation	Service load F <sub>SLs</sub> [N]	Associated deformation [mm]
2242334	MP-U 13-17 ¼" M8/10	879	1,50
2242335	MP-U 16-20 3/8" M8/10		
2242336	MP-U 20-24 ½" M8/10		
2242337	MP-U 25-29 ¾" M8/10		
2242338	MP-U 30-34 M8/10		
2242339	MP-U 34-38 1" M8/10		
2242340	MP-U 38-42 M8/10		
2242341	MP-U 42-47 1 ¼" M8/10	1053	1,50
2242342	MP-U 47-52 1 ½" M8/10		
2242343	MP-U 52-57 M8/10		
2242344	MP-U 57-62 2" M8/10		
2242345	MP-U 62-67 M8/10		
2242346	MP-U 67-72 M8/10		
2242347	MP-U 72-77 2 ½" M8/10	1762	1,50
2242348	MP-U 77-82 M8/10		
2242349	MP-U 83-89 3" M8/10		
2242350	MP-U 89-95 M8/10		
2242351	MP-U 95-101 M8/10		
2242352	MP-U 102-108 M8/10		
2242353	MP-U 109-115 4" M8/10	2072	2,06
2242354	MP-U 115-121 M8/10		
2242355	MP-U 121-127 M8/10		
2242356	MP-U 128-134 M8/10		
2242357	MP-U 135-141 5" M8/10		
2305351	MP-U 141-147 M8/10		
2305352	MP-U 147-153 M8/10		
2305353	MP-U 153-159 M8/10	2449	3,68
2305354	MP-U 160-166 6" M8/10		
2305355	MP-U 166-172 M8/10		
2305356	MP-U 170-176 M8/10		

Hilti ultimate pipe clamps MP-U, MP-U-I and MP-U-G

Service load and deformation at ambient temperature

Annex C10

**Table C11: Characteristic tensile strength at ambient temperature for MP-U M8/10/1/2"**

Item number	Designation	Characteristic tensile strength $F_{Rk}$ [N]	Partial safety coefficient <sup>1)</sup> $\gamma_m$ [-]
2242359	MP-U 13-17 1/4" M8/10/1/2"	1476	1,85
2242360	MP-U 16-20 3/8" M8/10/1/2"		
2242361	MP-U 20-24 1/2" M8/10/1/2"		
2242362	MP-U 25-29 3/4" M8/10/1/2"		
2242363	MP-U 30-34 M8/10/1/2"		
2242364	MP-U 34-38 1" M8/10/1/2"		
2242365	MP-U 38-42 M8/10/1/2"		
2242366	MP-U 42-47 1 1/4" M8/10/1/2"	2196	2,75
2242367	MP-U 47-52 1 1/2" M8/10/1/2"		
2242368	MP-U 52-57 M8/10/1/2"		
2242369	MP-U 57-62 2" M8/10/1/2"		
2242370	MP-U 62-67 M8/10/1/2"		
2242371	MP-U 67-72 M8/10/1/2"	4423	3,16
2242372	MP-U 72-77 2 1/2" M8/10/1/2"		
2242373	MP-U 77-82 M8/10/1/2"		
2242374	MP-U 83-89 3" M8/10/1/2"		
2242375	MP-U 89-95 M8/10/1/2"		
2242376	MP-U 95-101 M8/10/1/2"		
2242377	MP-U 102-108 M8/10/1/2"	4038	2,24
2242378	MP-U 109-115 4" M8/10/1/2"		
2242379	MP-U 115-121 M8/10/1/2"		
2242380	MP-U 121-127 M8/10/1/2"		
2242235	MP-U 128-134 M8/10/1/2"		
2242332	MP-U 135-141 5" M8/10/1/2"		
2305357	MP-U 141-147 M8/10/1/2"		
2305358	MP-U 147-153 M8/10/1/2"	5061	2,11
2305359	MP-U 153-159 M8/10/1/2"		
2305360	MP-U 160-166 6" M8/10/1/2"		
2305361	MP-U 166-172 M8/10/1/2"		
2305362	MP-U 170-176 M8/10/1/2"		

<sup>1)</sup> provided that no other national regulations apply

Hilti ultimate pipe clamps MP-U, MP-U-I and MP-U-G

Characteristic tensile strength at ambient temperature

Annex C11

**Table C12: Service load and deformation at ambient temperature for MP-U M8/10/1/2"**

Item number	Designation	Service load F <sub>SLs</sub> [N]	Associated deformation [mm]
2242359	MP-U 13-17 1/4" M8/10/1/2"	879	1,50
2242360	MP-U 16-20 3/8" M8/10/1/2"		
2242361	MP-U 20-24 1/2" M8/10/1/2"		
2242362	MP-U 25-29 3/4" M8/10/1/2"		
2242363	MP-U 30-34 M8/10/1/2"		
2242364	MP-U 34-38 1" M8/10/1/2"		
2242365	MP-U 38-42 M8/10/1/2"		
2242366	MP-U 42-47 1 1/4" M8/10/1/2"	1053	1,50
2242367	MP-U 47-52 1 1/2" M8/10/1/2"		
2242368	MP-U 52-57 M8/10/1/2"		
2242369	MP-U 57-62 2" M8/10/1/2"		
2242370	MP-U 62-67 M8/10/1/2"		
2242371	MP-U 67-72 M8/10/1/2"		
2242372	MP-U 72-77 2 1/2" M8/10/1/2"	1762	1,50
2242373	MP-U 77-82 M8/10/1/2"		
2242374	MP-U 83-89 3" M8/10/1/2"		
2242375	MP-U 89-95 M8/10/1/2"		
2242376	MP-U 95-101 M8/10/1/2"		
2242377	MP-U 102-108 M8/10/1/2"		
2242378	MP-U 109-115 4" M8/10/1/2"	2072	2,06
2242379	MP-U 115-121 M8/10/1/2"		
2242380	MP-U 121-127 M8/10/1/2"		
2242235	MP-U 128-134 M8/10/1/2"		
2242332	MP-U 135-141 5" M8/10/1/2"		
2305357	MP-U 141-147 M8/10/1/2"		
2305358	MP-U 147-153 M8/10/1/2"	2449	3,68
2305359	MP-U 153-159 M8/10/1/2"		
2305360	MP-U 160-166 6" M8/10/1/2"		
2305361	MP-U 166-172 M8/10/1/2"		
2305362	MP-U 170-176 M8/10/1/2"		

Hilti ultimate pipe clamps MP-U, MP-U-I and MP-U-G

Service load and deformation at ambient temperature

Annex C12

**Table C13: Characteristic tensile strength at ambient temperature for MP-U-G M8**

Item number	Designation	Characteristic tensile strength $F_{Rk}$ [N]	Partial safety coefficient <sup>1)</sup> $\gamma_M$ [-]
2275028	MP-U-G 16 M8	2630	3,33
2275029	MP-U-G 20 M8		
2275030	MP-U-G 25 M8		
2275031	MP-U-G 32 M8		
2275032	MP-U-G 40 M8		
2275033	MP-U-G 50 M8		
2275034	MP-U-G 56 M8		

<sup>1)</sup> provided that no other national regulations apply

Hilti ultimate pipe clamps MP-U, MP-U-I and MP-U-G

Characteristic tensile strength at ambient temperature

Annex C13

**Table C14: Characteristic tensile strength at ambient temperature for MP-U-G M8/10**

Item number	Designation	Characteristic tensile strength $F_{Rk}$ [N]	Partial safety coefficient <sup>1)</sup> $\gamma_m$ [-]
2275028	MP-U-G 16 M8/10	2630	3,33
2275029	MP-U-G 20 M8/10		
2275030	MP-U-G 25 M8/10		
2275031	MP-U-G 32 M8/10		
2275032	MP-U-G 40 M8/10		
2275033	MP-U-G 50 M8/10		
2275034	MP-U-G 56 M8/10	6108	4,36
2275035	MP-U-G 63 M8/10		
2275036	MP-U-G 75 M8/10	6588	3,66
2275037	MP-U-G 90 M8/10		
2275038	MP-U-G 110 M8/10		
2275039	MP-U-G 125 M8/10	7413	3,09
2275040	MP-U-G 135 M8/10		
2275041	MP-U-G 160 M8/10		

<sup>1)</sup> provided that no other national regulations apply

Hilti ultimate pipe clamps MP-U, MP-U-I and MP-U-G

Characteristic tensile strength at ambient temperature

Annex C14

**Table C15: Characteristic tensile strength at ambient temperature for MP-U-G M8/10/1/2"**

Item number	Designation	Characteristic tensile strength $F_{Rk}$ [N]	Partial safety coefficient <sup>1)</sup> $\gamma_m$ [-]
2275042	MP-U-G 50 M8/10/1/2"	2630	3,33
2275043	MP-U-G 56 M8/10/1/2"		
2275044	MP-U-G 63 M8/10/1/2"	6108	4,36
2275045	MP-U-G 75 M8/10/1/2"		
2275046	MP-U-G 90 M8/10/1/2"	6588	3,66
2275047	MP-U-G 110 M8/10/1/2"		
2275048	MP-U-G 125 M8/10/1/2"		
2275049	MP-U-G 135 M8/10/1/2"		
2274899	MP-U-G 160 M8/10/1/2"	7413	3,09

<sup>1)</sup> provided that no other national regulations apply

Hilti ultimate pipe clamps MP-U, MP-U-I and MP-U-G

Characteristic tensile strength at ambient temperature

Annex C15

**Table D1: Resistance of  $F_{Rk,t}$  of ultimate pipe rings MP-U-I 9-13 – MP-U-I 33-37 and MP-U 13-17 – MP-U 38-42 in case of fire after t = 30, 60 and 90 minutes**

Item number	Designation	Parameter of regression curve	$F_{Rk,t}$ [N]		
		$F_{Rk}(t) = c_3 (c_1 + c_2 / t)$	$F_{Rk,30}$	$F_{Rk,60}$	$F_{Rk,90}$
2242258	MP-U-I 9-13 1/8" M8/10	$c_1 = 80,6628$ $c_2 = 6412,2993$ $c_3 = 0,72904$ $21 \text{ min} \leq t \leq 98 \text{ min}$	214,6	136,7	110,7
2242259	MP-U-I 13-17 1/4" M8/10				
2242260	MP-U-I 17-21 3/8" M8/10				
2242261	MP-U-I 21-25 1/2" M8/10				
2242262	MP-U-I 25-29 3/4" M8/10				
2242263	MP-U-I 29-33 M8/10				
2242264	MP-U-I 33-37 1" M8/10				
2242334	MP-U 13-17 1/4" M8/10				
2242335	MP-U 16-20 3/8" M8/10				
2242336	MP-U 20-24 1/2" M8/10				
2242337	MP-U 25-29 3/4" M8/10				
2242338	MP-U 30-34 M8/10				
2242339	MP-U 34-38 1" M8/10				
2242340	MP-U 38-42 M8/10				

**Designation**

$F_{Rk,t}$  Resistance after an exposure time t in case of fire [N]  
 $F_{Rk}(t)$  Resistance time function in case of fire [N]

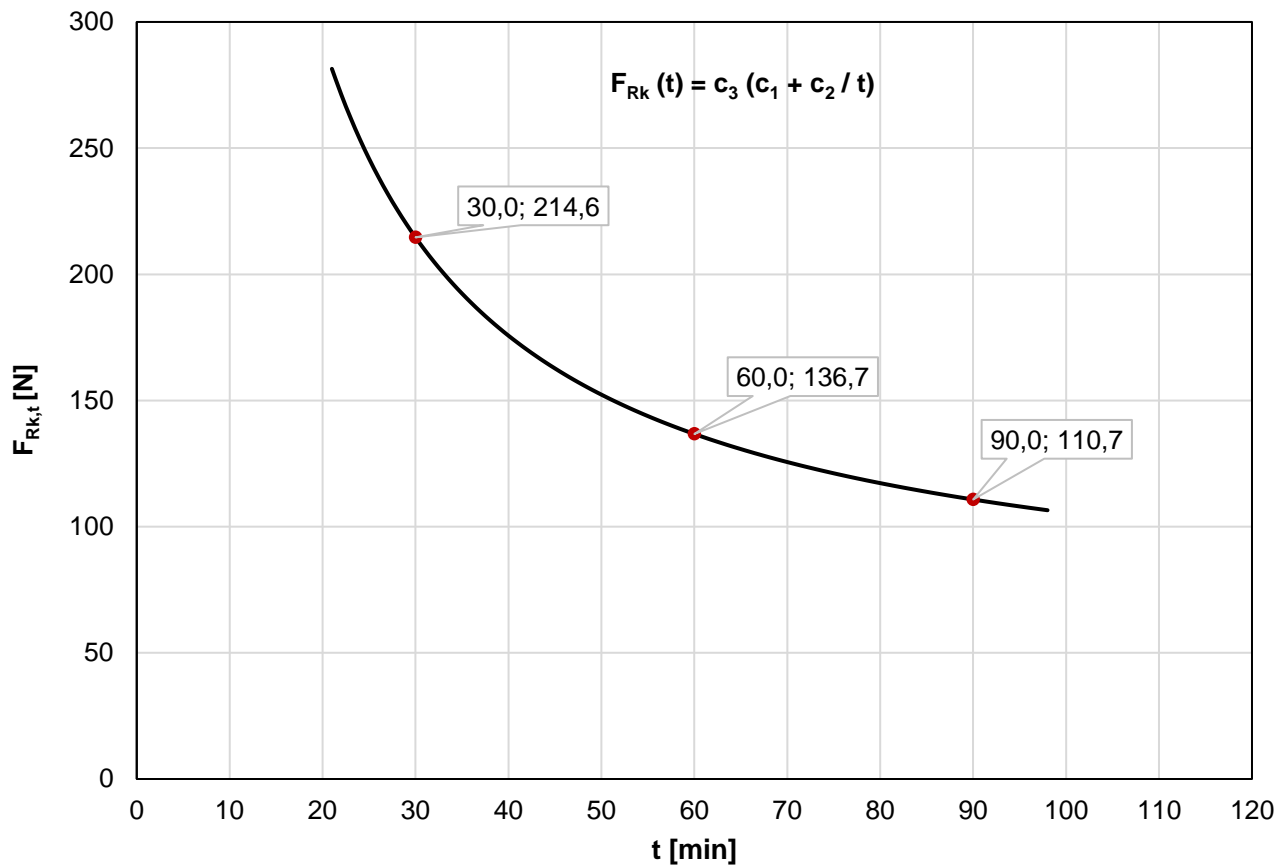
Hilti ultimate pipe clamps MP-U-I and MP-U

Resistance in case of fire of ultimate pipe rings  
 MP-U-I 9-13 – MP-U-I 33-37 and MP-U 13-17 – MP-U 38-42

Annex D1



Figure D1: Regression curve according to Table D1



Hilti ultimate pipe clamps MP-U-I and MP-U

Resistance in case of fire of ultimate pipe rings  
MP-U-I 9-13 – MP-U-I 33-37 and MP-U 13-17 – MP-U 38-42

Annex D2

**Table D2: Resistance of  $F_{Rk,t}$  of ultimate pipe rings MP-U-I 9-13 – MP-U-I 33-37 and MP-U 13-17 – MP-U 38-42 in case of fire after t = 30, 60 and 90 minutes**

Item number	Designation	Parameter of regression curve	$F_{Rk,t}$ [N]		
		$F_{Rk}(t) = c_3 (c_1 + c_2 / t)$	$F_{Rk,30}$	$F_{Rk,60}$	$F_{Rk,90}$
2242308	MP-U-I 9-13 1/8" M8/10/O16	$c_1 = 80,6628$ $c_2 = 5131,1219$ $c_3 = 0,72904$ 21 min $\leq t \leq$ 98 min	183,5	121,1	100,4
2242309	MP-U-I 13-17 1/4" M8/10/O16				
2242310	MP-U-I 17-21 3/8" M8/10/O16				
2242311	MP-U-I 21-25 1/2" M8/10/O16				
2242312	MP-U-I 25-29 3/4" M8/10/O16				
2242313	MP-U-I 29-33 M8/10/O16				
2242314	MP-U-I 33-37 1" M8/10/O16				
2242283	MP-U-I 9-13 1/8" M8/10/1/2"				
2242284	MP-U-I 13-17 1/4" M8/10/1/2"				
2242285	MP-U-I 17-21 3/8" M8/10/1/2"				
2242286	MP-U-I 21-25 1/2" M8/10/1/2"				
2242287	MP-U-I 25-29 3/4" M8/10/1/2"				
2242288	MP-U-I 29-33 M8/10/1/2"				
2242289	MP-U-I 33-37 1" M8/10/1/2"				
2242359	MP-U 13-17 1/4" M8/10/1/2"				
2242360	MP-U 16-20 3/8" M8/10/1/2"				
2242361	MP-U 20-24 1/2" M8/10/1/2"				
2242362	MP-U 25-29 3/4" M8/10/1/2"				
2242363	MP-U 30-34 M8/10/1/2"				
2242364	MP-U 34-38 1" M8/10/1/2"				
2242365	MP-U 38-42 M8/10/1/2"				

**Designation**

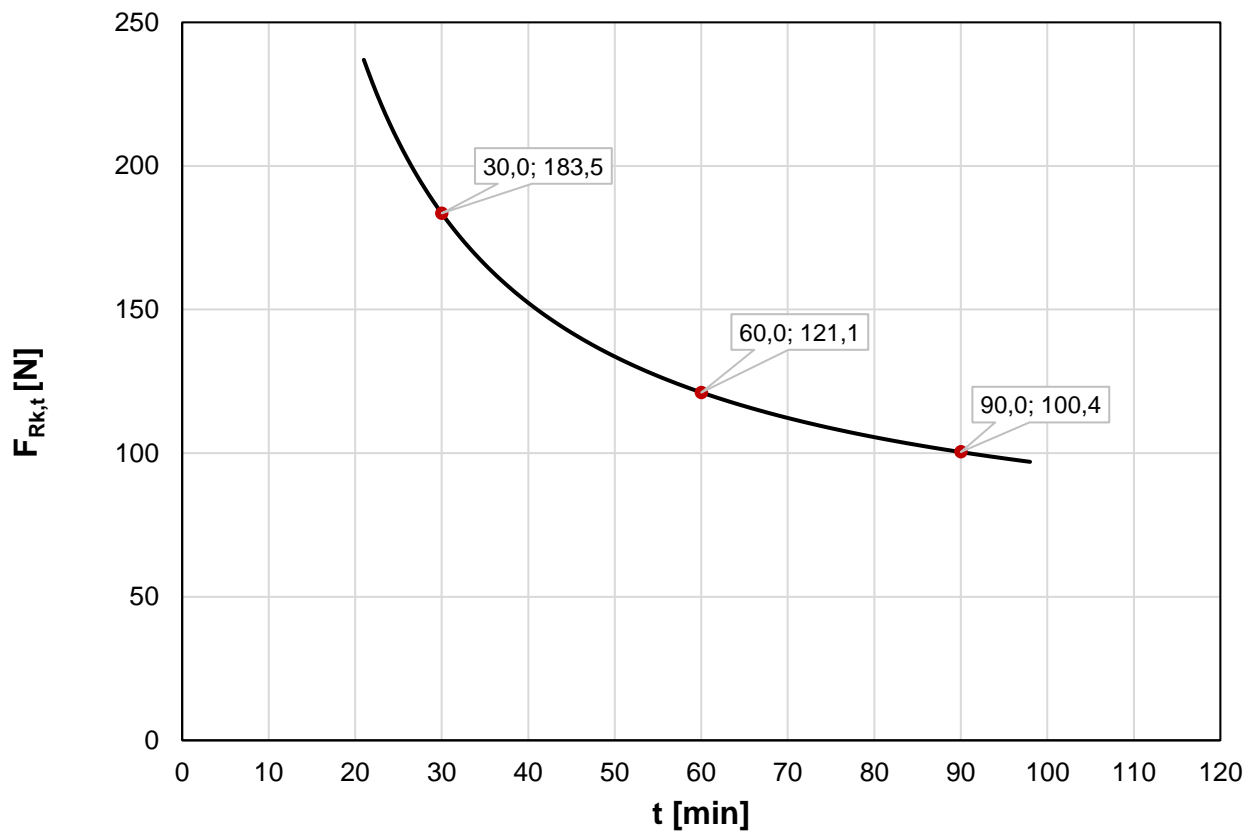
$F_{Rk,t}$  Resistance after an exposure time t in case of fire [N]  
 $F_{Rk}(t)$  Resistance time function in case of fire [N]

Hilti ultimate pipe clamps MP-U-I and MP-U

Resistance in case of fire of ultimate pipe rings  
 MP-U-I 9-13 – MP-U-I 33-37 and MP-U 13-17 – MP-U 38-42

Annex D3

Figure D2: Regression curve according to Table D2



Hilti ultimate pipe clamps MP-U-I and MP-U

Resistance in case of fire of ultimate pipe rings  
MP-U-I 9-13 – MP-U-I 33-37 and MP-U 13-17 – MP-U 38-42

Annex D4

**Table D3: Load displacement function and deformations of ultimate pipe rings  
MP-U-I 9-13 – MP-U-I 33-37 and MP-U 13-17 – MP-U 38-42**

Item number	Designation	Parameter of regression curve	$F_{Rk,30}(\delta)$ [N]				$\delta_{max,t}$ [mm]	
			$F_{Rk,30}(12)$	$F_{Rk,30}(16)$	$F_{Rk,30}(18)$	$F_{Rk,30}(20)$	$\delta_{max,60}$	$\delta_{max,90}$
2242258	MP-U-I 9-13 1/8" M8/10	$F_{Rk,30}(\delta) = a_3(a_1 + \delta^{a_2})$ $a_1 = 9,3219$ $a_2 = 1,1165$ $a_3 = 0,721$ $10 \text{ mm} \leq \delta \leq 22 \text{ mm}$	107,7	148,5	169,4	190,6	29,6	29,6
2242259	MP-U-I 13-17 1/4" M8/10							
2242260	MP-U-I 17-21 3/8" M8/10							
2242261	MP-U-I 21-25 1/2" M8/10							
2242262	MP-U-I 25-29 3/4" M8/10							
2242263	MP-U-I 29-33 M8/10							
2242264	MP-U-I 33-37 1" M8/10							
2242334	MP-U 13-17 1/4" M8/10							
2242335	MP-U 16-20 3/8" M8/10							
2242336	MP-U 20-24 1/2" M8/10							
2242337	MP-U 25-29 3/4" M8/10							
2242338	MP-U 30-34 M8/10							
2242339	MP-U 34-38 1" M8/10							
2242340	MP-U 38-42 M8/10							
2242308	MP-U-I 9-13 1/8" M8/10/O16							
2242309	MP-U-I 13-17 1/4" M8/10/O16							
2242310	MP-U-I 17-21 3/8" M8/10/O16							
2242311	MP-U-I 21-25 1/2" M8/10/O16							
2242312	MP-U-I 25-29 3/4" M8/10/O16							
2242313	MP-U-I 29-33 M8/10/O16							
2242314	MP-U-I 33-37 1" M8/10/O16							
2242283	MP-U-I 9-13 1/8" M8/10/1/2"							
2242284	MP-U-I 13-17 1/4" M8/10/1/2"							
2242285	MP-U-I 17-21 3/8" M8/10/1/2"							
2242286	MP-U-I 21-25 1/2" M8/10/1/2"							
2242287	MP-U-I 25-29 3/4" M8/10/1/2"							
2242288	MP-U-I 29-33 M8/10/1/2"							
2242289	MP-U-I 33-37 1" M8/10/1/2"							
2242359	MP-U 13-17 1/4" M8/10/1/2"							
2242360	MP-U 16-20 3/8" M8/10/1/2"							
2242361	MP-U 20-24 1/2" M8/10/1/2"							
2242362	MP-U 25-29 3/4" M8/10/1/2"							
2242363	MP-U 30-34 M8/10/1/2"							
2242364	MP-U 34-38 1" M8/10/1/2"							
2242365	MP-U 38-42 M8/10/1/2"							

**Designation**

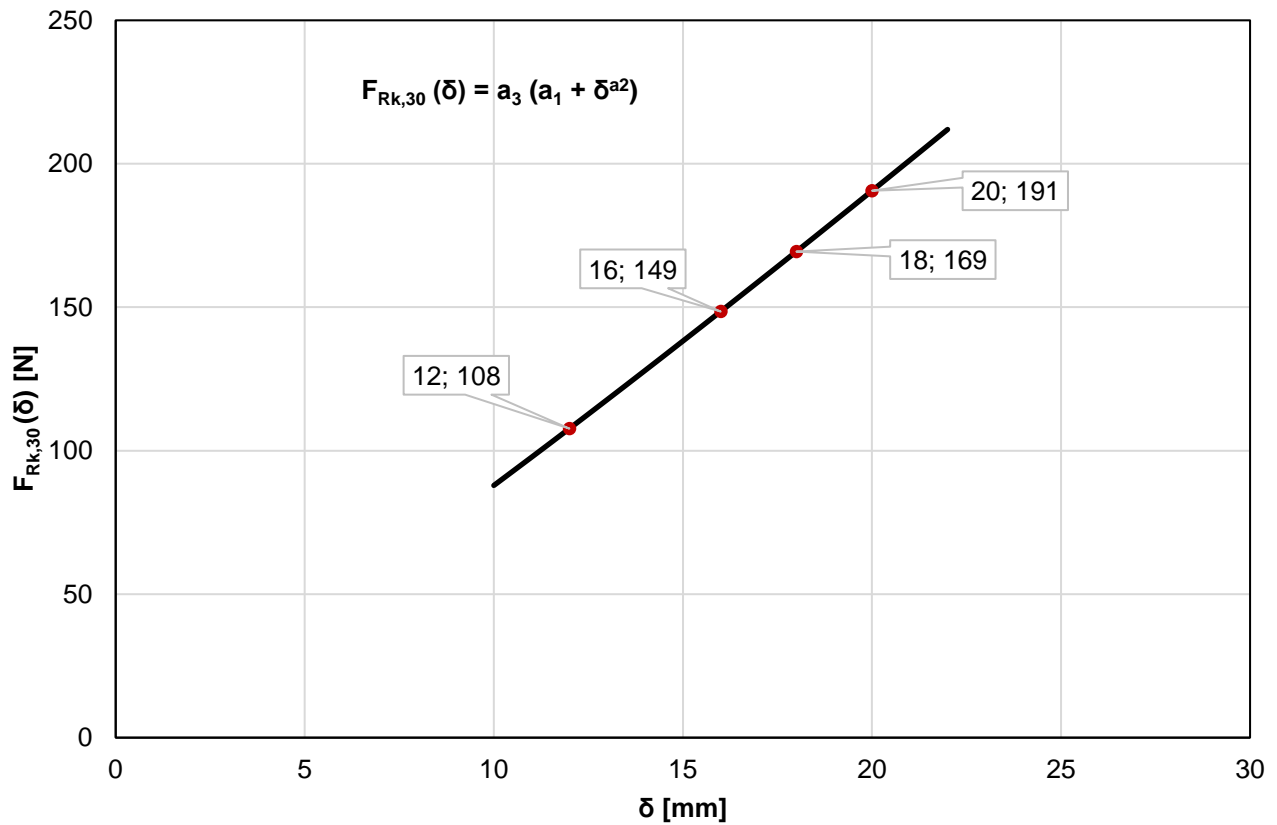
- $\delta$  Deformation
- $\delta_{max,t}$  Maximum deformation after an exposure time  $\leq t$  minutes in case of fire
- $F_{Rk,30}(\delta)$  Load displacement function for an exposure time  $t = 30$  minutes in case of fire

Hilti ultimate pipe clamps MP-U-I and MP-U

Load displacement function and deformations in case of fire of ultimate pipe rings MP-U-I 9-13 – MP-U-I 33-37 and MP-U 13-17 – MP-U 38-42

Annex D6

Figure D3: Regression curve according to Table D3



Hilti ultimate pipe clamps MP-U-I and MP-U

Load displacement function and deformations in case of fire of ultimate pipe rings MP-U-I 9-13 – MP-U-I 33-37 and MP-U 13-17 – MP-U 38-42

Annex D6

**Table D4: Resistance  $F_{Rk,t}$  of ultimate pipe rings MP-U-I 37-42 – MP-U-I 57-62 and MP-U 42-47 – MP-U 62-67 in case of fire after  $t = 30, 60$  and  $90$  minutes**

Item number	Designation	Parameter of regression curve	$F_{Rk,t}$ [N]		
		$F_{Rk}(t) = c_3 (c_1 + c_2 / t)$	$F_{Rk,30}$	$F_{Rk,60}$	$F_{Rk,90}$
2242265	MP-U-I 37-42 M8/10	$c_1 = 55,9523$ $c_2 = 9035,2538$ $c_3 = 0,879447$ $23 \text{ min} \leq t \leq 92 \text{ min}$	314,1	181,6	137,5
2242266	MP-U-I 42-47 1 ¼" M8/10				
2242267	MP-U-I 47-52 1 ½" M8/10				
2242268	MP-U-I 52-57 M8/10				
2242269	MP-U-I 57-62 2" M8/10				
2242341	MP-U 42-47 1 ¼" M8/10				
2242342	MP-U 47-52 1 ½" M8/10				
2242343	MP-U 52-57 M8/10				
2242344	MP-U 57-62 2" M8/10				
2242345	MP-U 62-67 M8/10				

**Designation**

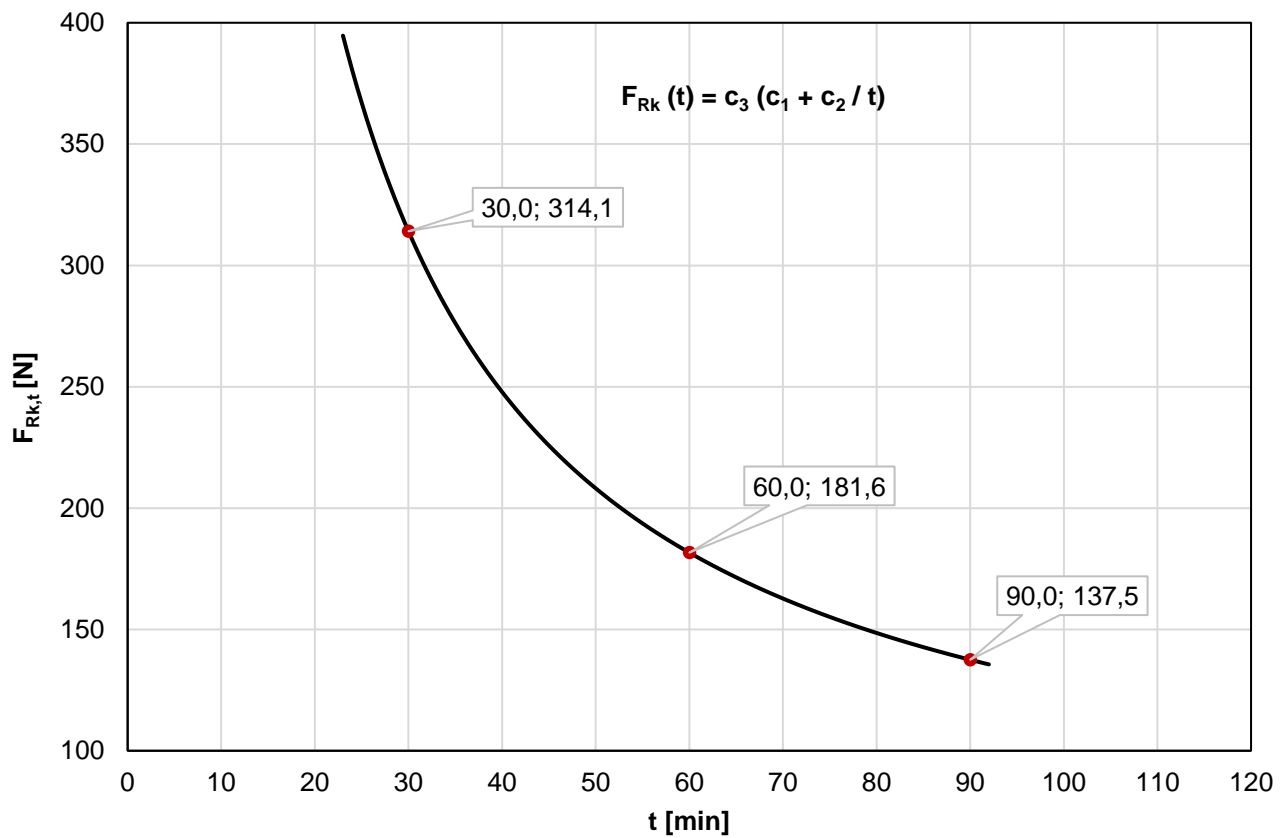
$F_{Rk,t}$  Resistance after an exposure time  $t$  in case of fire [N]  
 $F_{Rk}(t)$  Resistance time function in case of fire [N]

Hilti ultimate pipe clamps MP-U-I and MP-U

Resistance in case of fire of ultimate pipe rings  
 MP-U-I 37-42 – MP-U-I 57-62 and MP-U 42-47 – MP-U 62-67

Annex D7

Figure D4: Regression curve according to Table D4



Hilti ultimate pipe clamps MP-U-I and MP-U

Resistance in case of fire of ultimate pipe rings  
MP-U-I 37-42 – MP-U-I 57-62 and MP-U 42-47 – MP-U 62-67

Annex D8

**Table D5: Resistance  $F_{Rk,t}$  of ultimate pipe rings MP-U-I 37-42 – MP-U-I 57-62 and MP-U 42-47 – MP-U 62-67 in case of fire after  $t = 30, 60$  and  $90$  minutes**

Item number	Designation	Parameter of regression curve	$F_{Rk,t}$ [N]		
		$F_{Rk}(t) = c_3 (c_1 + c_2 / t)$	$F_{Rk,30}$	$F_{Rk,60}$	$F_{Rk,90}$
2242315	MP-U-I 37-42 M8/10/O16	$c_1 = 55,9523$ $c_2 = 7228,20304$ $c_3 = 0,879447$ $23 \text{ min} \leq t \leq 92 \text{ min}$	261,1	155,2	119,8
2242316	MP-U-I 42-47 1 ¼" M8/10/O16				
2242317	MP-U-I 47-52 1 ½" M8/10/O16				
2242318	MP-U-I 52-57 M8/10/O16				
2242319	MP-U-I 57-62 2" M8/10/O16				
2242290	MP-U-I 37-42 M8/10/½"				
2242291	MP-U-I 42-47 1 ¼" M8/10/½"				
2242292	MP-U-I 47-52 1 ½" M8/10/½"				
2242293	MP-U-I 52-57 M8/10/½"				
2242294	MP-U-I 57-62 2" M8/10/½"				
2242366	MP-U 42-47 1 ¼" M8/10/½"				
2242367	MP-U 47-52 1 ½" M8/10/½"				
2242368	MP-U 52-57 M8/10/½"				
2242369	MP-U 57-62 2" M8/10/½"				
2242370	MP-U 62-67 M8/10/½"				

**Designation**

$F_{Rk,t}$  Resistance after an exposure time  $t$  in case of fire [N]  
 $F_{Rk}(t)$  Resistance time function in case of fire [N]

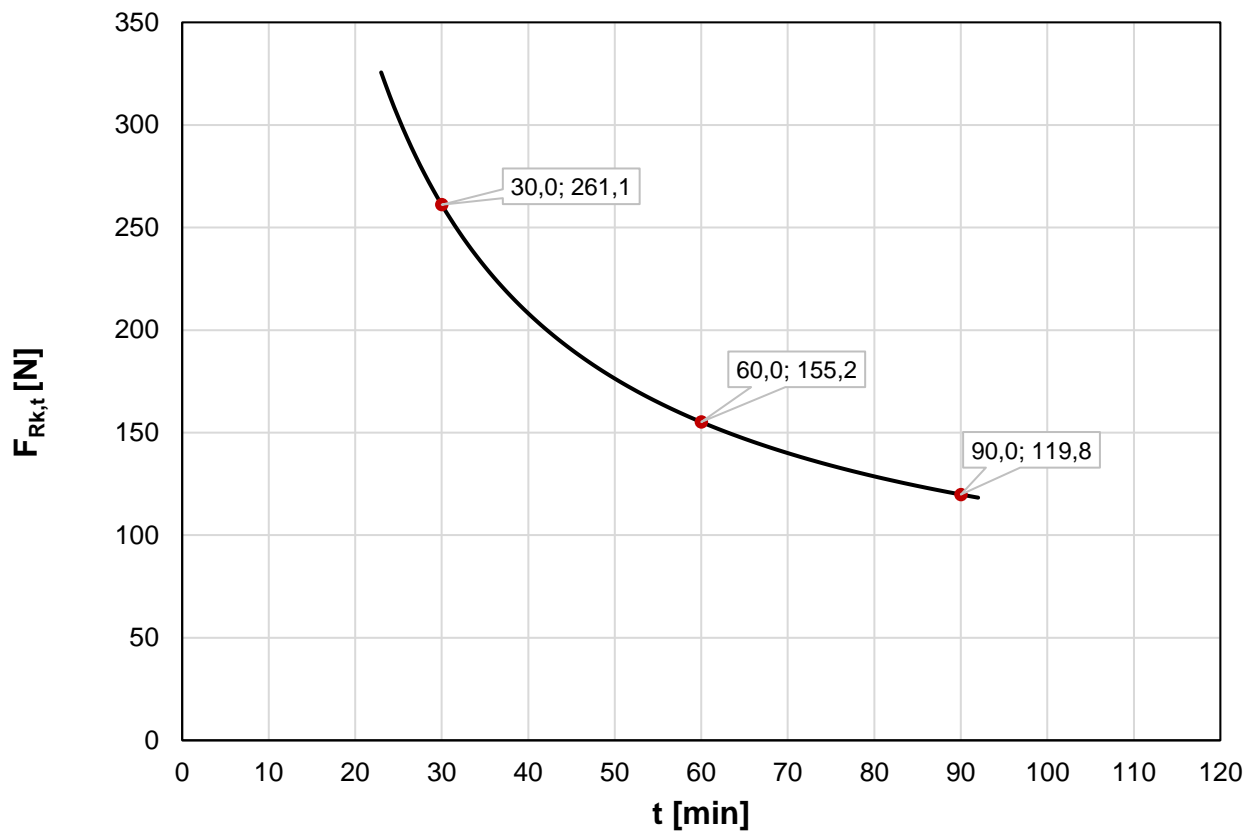
Hilti ultimate pipe clamps MP-U-I and MP-U

Resistance in case of fire of ultimate pipe rings  
 MP-U-I 37-42 – MP-U-I 57-62 and MP-U 42-47 – MP-U 62-67

Annex D9



Figure D5: Regression curve according to Table D5



Hilti ultimate pipe clamps MP-U-I and MP-U

Resistance in case of fire of ultimate pipe rings  
MP-U-I 37-42 – MP-U-I 57-62 and MP-U 42-47 – MP-U 62-67

Annex D10

**Table D6: Load displacement function and deformations of ultimate pipe rings  
MP-U-I 37-42 – MP-U-I 57-62 and MP-U 42-47 – MP-U 62-67 in case of fire**

Item number	Designation	Parameter of regression curve	$F_{Rk,30}(\delta)$ [N]				$\delta_{max,t}$ [mm]	
			$F_{Rk,30}(16)$	$F_{Rk,30}(18)$	$F_{Rk,30}(20)$	$F_{Rk,30}(24)$	$\delta_{max,60}$	$\delta_{max,90}$
2242265	MP-U-I 37-42 M8/10	$F_{Rk,30}(\delta) = a_3(a_1 + \delta^{a_2})$ $a_1 = 1,0994$ $a_2 = 1,7722$ $a_3 = 0,8345$ $14 \text{ mm} \leq \delta \leq 25 \text{ mm}$	124,9	153,9	185,5	256,2	36,9	36,9
2242266	MP-U-I 42-47 1 ¼" M8/10							
2242267	MP-U-I 47-52 1 ½" M8/10							
2242268	MP-U-I 52-57 M8/10							
2242269	MP-U-I 57-62 2" M8/10							
2242341	MP-U 42-47 1 ¼" M8/10							
2242342	MP-U 47-52 1 ½" M8/10							
2242343	MP-U 52-57 M8/10							
2242344	MP-U 57-62 2" M8/10							
2242345	MP-U 62-67 M8/10							
2242315	MP-U-I 37-42 M8/10/O16							
2242316	MP-U-I 42-47 1 ¼" M8/10/O16							
2242317	MP-U-I 47-52 1 ½" M8/10/O16							
2242318	MP-U-I 52-57 M8/10/O16							
2242319	MP-U-I 57-62 2" M8/10/O16							
2242290	MP-U-I 37-42 M8/10/½"							
2242291	MP-U-I 42-47 1 ¼" M8/10/½"							
2242292	MP-U-I 47-52 1 ½" M8/10/½"							
2242293	MP-U-I 52-57 M8/10/½"							
2242294	MP-U-I 57-62 2" M8/10/½"							
2242366	MP-U 42-47 1 ¼" M8/10/½"							
2242367	MP-U 47-52 1 ½" M8/10/½"							
2242368	MP-U 52-57 M8/10/½"							
2242369	MP-U 57-62 2" M8/10/½"							
2242370	MP-U 62-67 M8/10/½"							

**Symbols and designation**

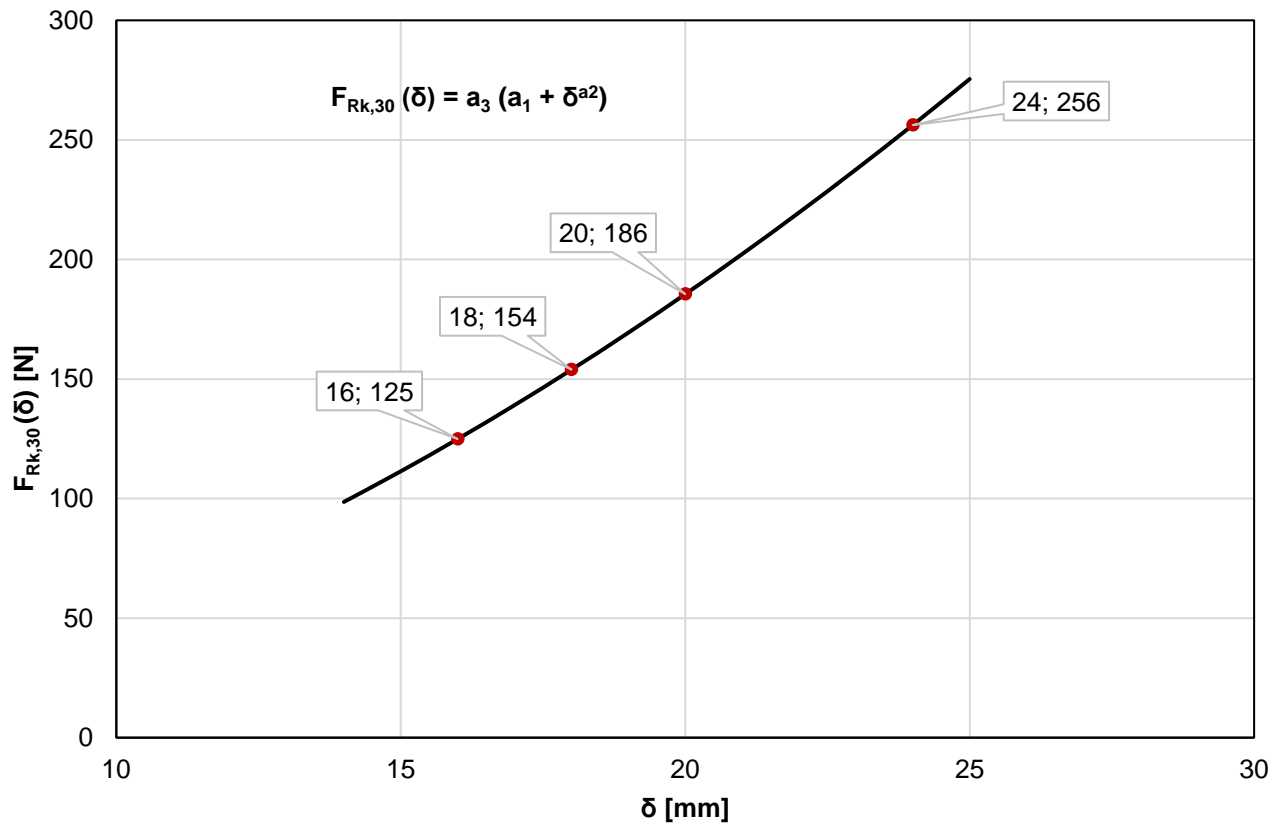
- $\delta$  Deformation
- $\delta_{max,t}$  Maximum deformation after an exposure time  $\leq t$  minutes in case of fire
- $F_{Rk,30}(\delta)$  Load displacement function for an exposure time  $t = 30$  minutes in case of fire

Hilti ultimate pipe clamps MP-U-I and MP-U

Load displacement function and deformations in case of fire of ultimate pipe rings MP-U-I 37-42 – MP-U-I 57-62 and MP-U 42-47 – MP-U 62-67

Annex D11

Figure D6: Regression curve according to Table D6



Hilti ultimate pipe clamps MP-U-I and MP-U

Load displacement function and deformations in case of fire of ultimate pipe rings MP-U-I 37-42 – MP-U-I 57-62 and MP-U 42-47 – MP-U 62-67

Annex D12

**Table D7: Resistance  $F_{Rk,t}$  of ultimate pipe rings MP-U-I 62-67 – MP-U-I 90-96 and MP-U 67-72 – MP-U 95-101 in case of fire after  $t = 30, 60$  and  $90$  minutes**

Item number	Designation	Parameter of regression curve	$F_{Rk,t}$ [N]		
		$F_{Rk}(t) = c_3 (c_1 + c_2 / t)$	$F_{Rk,30}$	$F_{Rk,60}$	$F_{Rk,90}$
2242270	MP-U-I 62-67 M8/10	$c_1 = 102,2415$ $c_2 = 19244,9886$ $c_3 = 0,92677$ $29 \text{ min} \leq t \leq 91 \text{ min}$	689,3	392,0	292,9
2242271	MP-U-I 67-72 M8/10				
2242272	MP-U-I 72-77 2 ½" M8/10				
2242273	MP-U-I 78-84 M8/10				
2242274	MP-U-I 84-90 3" M8/10				
2242275	MP-U-I 90-96 M8/10				
2242346	MP-U 67-72 M8/10				
2242347	MP-U 72-77 2 ½" M8/10				
2242348	MP-U 77-82 M8/10				
2242349	MP-U 83-89 3" M8/10				
2242350	MP-U 89-95 M8/10				
2242351	MP-U 95-101 M8/10				

**Designation**

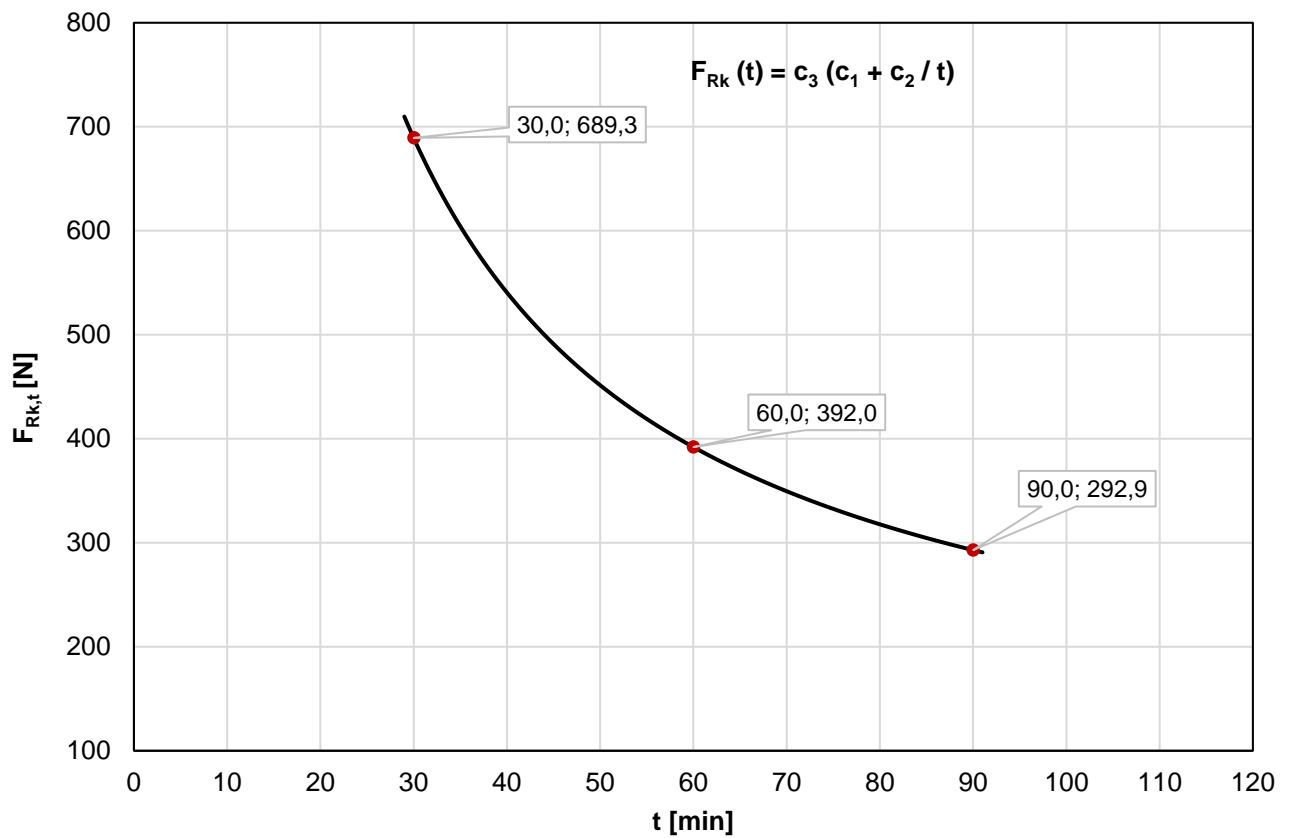
$F_{Rk,t}$  Resistance after an exposure time  $t$  in case of fire [N]  
 $F_{Rk}(t)$  Resistance time function in case of fire [N]

Hilti ultimate pipe clamps MP-U-I and MP-U

Resistance in case of fire of ultimate pipe rings  
 MP-U-I 62-67 – MP-U-I 90-96 and MP-U 67-72 – MP-U 95-101

Annex D13

Figure D7: Regression curve according to Table D7



Hilti ultimate pipe clamps MP-U-I and MP-U

Resistance in case of fire of ultimate pipe rings  
MP-U-I 62-67 – MP-U-I 90-96 and MP-U 67-72 – MP-U 95-101

Annex D14

**Table D8: Resistance  $F_{Rk,t}$  of ultimate pipe rings MP-U-I 62-67 – MP-U-I 90-96 and MP-U 67-72 – MP-U 95-101 in case of fire after  $t = 30, 60$  and  $90$  minutes**

Item number	Designation	Parameter of regression curve	$F_{Rk,t}$ [N]		
		$F_{Rk}(t) = c_3 (c_1 + c_2 / t)$	$F_{Rk,30}$	$F_{Rk,60}$	$F_{Rk,90}$
2242320	MP-U-I 62-67 M8/10/O16	$c_1 = 102,2415$ $c_2 = 15395,9909$ $c_3 = 0,92677$ $29 \text{ min} \leq t \leq 91 \text{ min}$	570,4	332,6	253,3
2242321	MP-U-I 67-72 M8/10/O16				
2242322	MP-U-I 72-77 2 1/2" M8/10/O16				
2242323	MP-U-I 78-84 M8/10/O16				
2242324	MP-U-I 84-90 3" M8/10/O16				
2242325	MP-U-I 90-96 M8/10/O16				
2242295	MP-U-I 62-67 M8/10/1/2"				
2242296	MP-U-I 67-72 M8/10/1/2"				
2242297	MP-U-I 72-77 2 1/2" M8/10/1/2"				
2242298	MP-U-I 78-84 M8/10/1/2"				
2242299	MP-U-I 84-90 3" M8/10/1/2"				
2242300	MP-U-I 90-96 M8/10/1/2"				
2242371	MP-U 67-72 M8/10/1/2"				
2242372	MP-U 72-77 2 1/2" M8/10/1/2"				
2242373	MP-U 77-82 M8/10/1/2"				
2242374	MP-U 83-89 3" M8/10/1/2"				
2242375	MP-U 89-95 M8/10/1/2"				
2242376	MP-U 95-101 M8/10/1/2"				

**Designation**

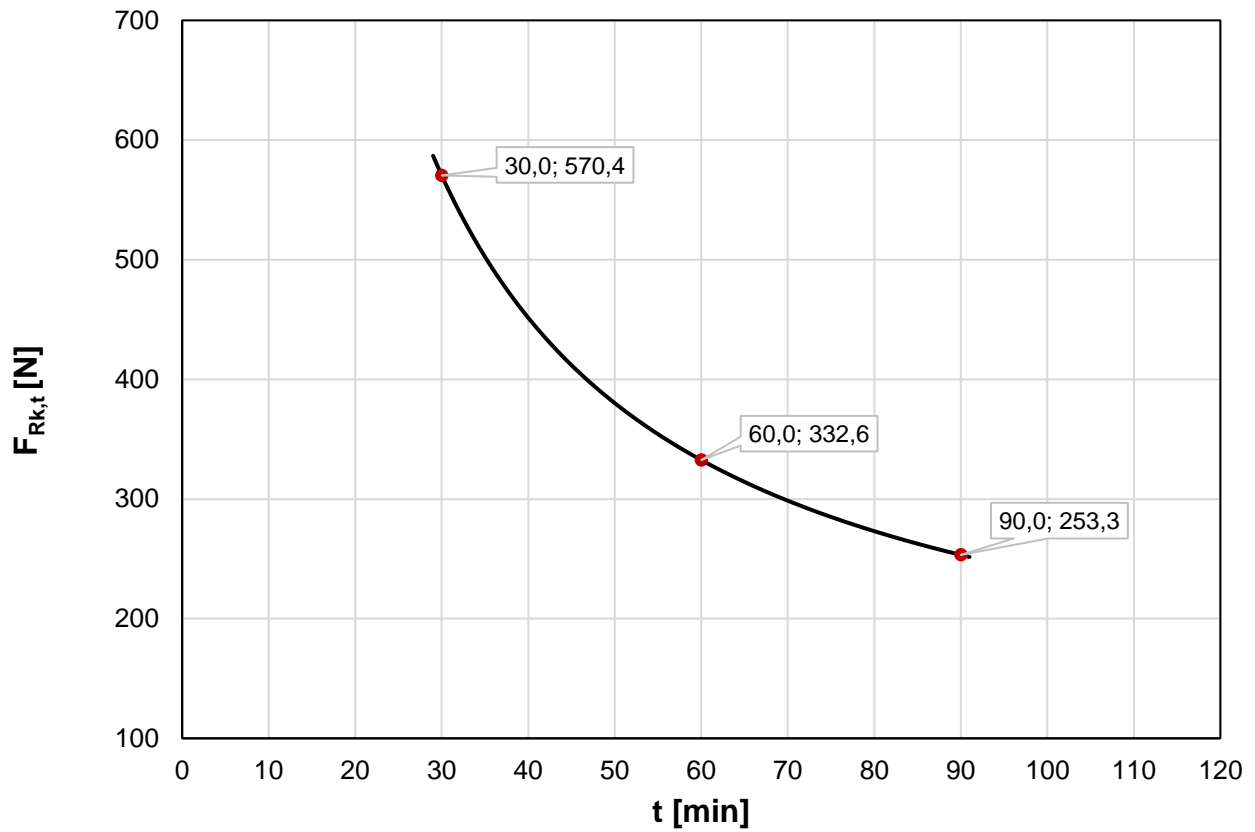
$F_{Rk,t}$  Resistance after an exposure time  $t$  in case of fire [N]  
 $F_{Rk}(t)$  Resistance time function in case of fire [N]

Hilti ultimate pipe clamps MP-U-I and MP-U

Resistance in case of fire of ultimate pipe rings  
 MP-U-I 62-67 – MP-U-I 90-96 and MP-U 67-72 – MP-U 95-101

Annex D15

Figure D8: Regression curve according to Table D8



Hilti ultimate pipe clamps MP-U-I and MP-U

Resistance in case of fire of ultimate pipe rings  
MP-U-I 62-67 – MP-U-I 90-96 and MP-U 67-72 – MP-U 95-101

Annex D16

**Table D9: Load displacement function and deformations of ultimate pipe rings  
MP-U-I 62-67 – MP-U-I 90-96 and MP-U 67-72 – MP-U 95-101 in case of fire**

Item number	Designation	Parameter of regression curve	$F_{Rk,30}(\delta)$ [N]				$\delta_{max,t}$ [mm]	
			$F_{Rk,30}(\delta) = a_3(a_1 + \delta^{a_2})$	$F_{Rk,30}(16)$	$F_{Rk,30}(20)$	$F_{Rk,30}(24)$	$F_{Rk,30}(28)$	$\delta_{max,60}$
2242270	MP-U-I 62-67 M8/10	$a_1 = 5,1603$ $a_2 = 1,4856$ $a_3 = 0,903$ $15 \text{ mm} \leq \delta \leq 29 \text{ mm}$	286,6	399,2	523,5	658,2	32,9	32,9
2242271	MP-U-I 67-72 M8/10							
2242272	MP-U-I 72-77 2 1/2" M8/10							
2242273	MP-U-I 78-84 M8/10							
2242274	MP-U-I 84-90 3" M8/10							
2242275	MP-U-I 90-96 M8/10							
2242346	MP-U 67-72 M8/10							
2242347	MP-U 72-77 2 1/2" M8/10							
2242348	MP-U 77-82 M8/10							
2242349	MP-U 83-89 3" M8/10							
2242350	MP-U 89-95 M8/10							
2242351	MP-U 95-101 M8/10							
2242320	MP-U-I 62-67 M8/10/O16							
2242321	MP-U-I 67-72 M8/10/O16							
2242322	MP-U-I 72-77 2 1/2" M8/10/O16							
2242323	MP-U-I 78-84 M8/10/O16							
2242324	MP-U-I 84-90 3" M8/10/O16							
2242325	MP-U-I 90-96 M8/10/O16							
2242295	MP-U-I 62-67 M8/10/1/2"							
2242296	MP-U-I 67-72 M8/10/1/2"							
2242297	MP-U-I 72-77 2 1/2" M8/10/1/2"							
2242298	MP-U-I 78-84 M8/10/1/2"							
2242299	MP-U-I 84-90 3" M8/10/1/2"							
2242300	MP-U-I 90-96 M8/10/1/2"							
2242371	MP-U 67-72 M8/10/1/2"							
2242372	MP-U 72-77 2 1/2" M8/10/1/2"							
2242373	MP-U 77-82 M8/10/1/2"							
2242374	MP-U 83-89 3" M8/10/1/2"							
2242375	MP-U 89-95 M8/10/1/2"							
2242376	MP-U 95-101 M8/10/1/2"							

**Symbols and designation**

- $\delta$  Deformation
- $\delta_{max,t}$  Maximum deformation after an exposure time  $\leq t$  minutes in case of fire
- $F_{Rk,30}(\delta)$  Load displacement function for an exposure time  $t = 30$  minutes in case of fire

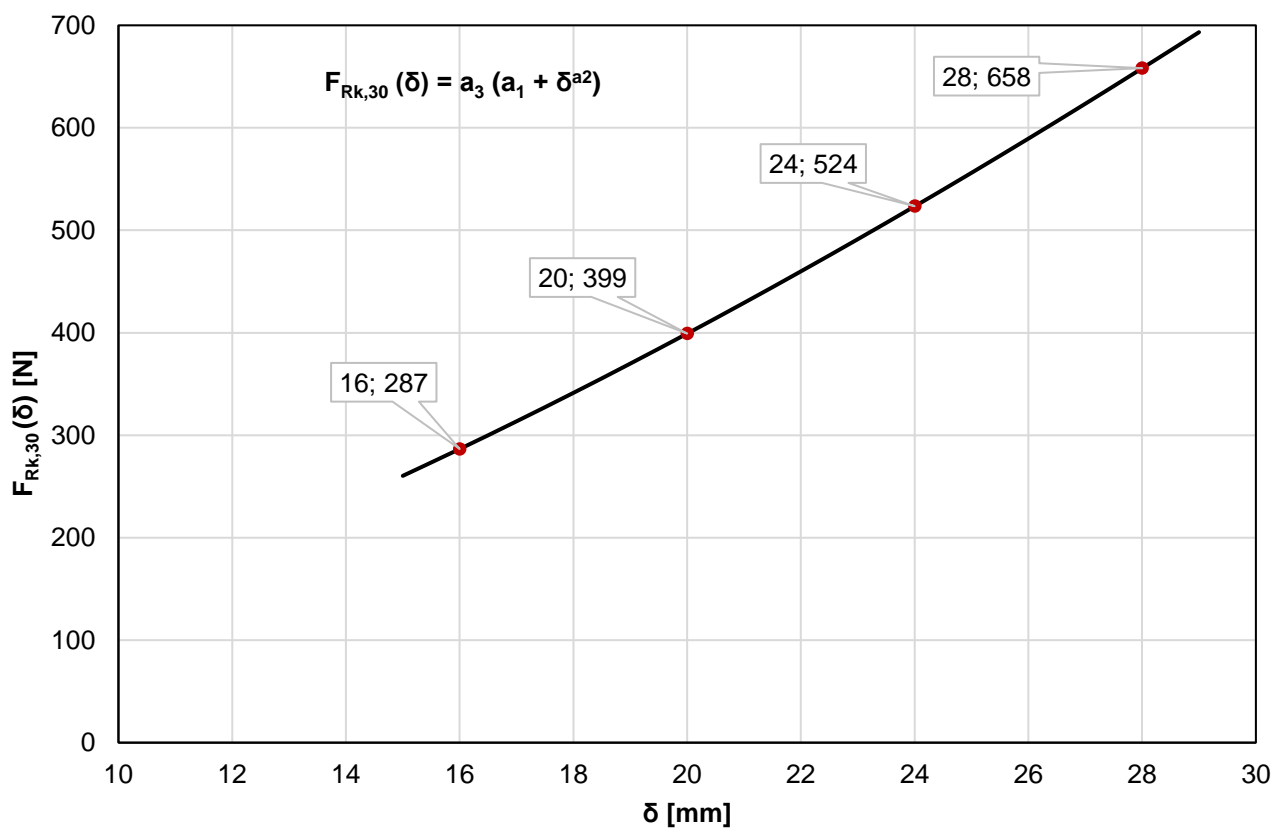
Hilti ultimate pipe clamps MP-U-I and MP-U

Load displacement function and deformations in case of fire of ultimate pipe rings MP-U-I 62-67 – MP-U-I 90-96 and MP-U 67-72 – MP-U 95-101

Annex D17



Figure D9: Regression curve according to Table D9



Hilti ultimate pipe clamps MP-U-I and MP-U

Load displacement function and deformations in case of fire of ultimate pipe rings MP-U-I 62-67 – MP-U-I 90-96 and MP-U 67-72 – MP-U 95-101

Annex D18

**Table D10: Resistance  $F_{Rk,t}$  of ultimate pipe rings MP-U-I 97-103 – MP-U-I 135-141 and MP-U 102-108 – MP-U 141-147 in case of fire after  $t = 30, 60$  and  $90$  minutes**

Item number	Designation	Parameter of regression curve	$F_{Rk,t}$ [N]		
		$F_{Rk}(t) = c_3 (c_1 + c_2 / t)$	$F_{Rk,30}$	$F_{Rk,60}$	$F_{Rk,90}$
2242276	MP-U-I 97-103 M8/10	$c_1 = 93,8086$ $c_2 = 28582,3739$ $c_3 = 0,871219$ $27 \text{ min} \leq t \leq 98 \text{ min}$	911,8	496,8	358,4
2242277	MP-U-I 103-109 M8/10				
2242278	MP-U-I 109-115 4" M8/10				
2242279	MP-U-I 115-121 M8/10				
2242280	MP-U-I 122-128 M8/10				
2242281	MP-U-I 129-135 M8/10				
2305365	MP-U-I 135-141 5" M8/10				
2242352	MP-U 102-108 M8/10				
2242353	MP-U 109-115 4" M8/10				
2242354	MP-U 115-121 M8/10				
2242355	MP-U 121-127 M8/10				
2242356	MP-U 128-134 M8/10				
2242357	MP-U 135-141 5" M8/10				
2305351	MP-U 141-147 M8/10				

**Designation**

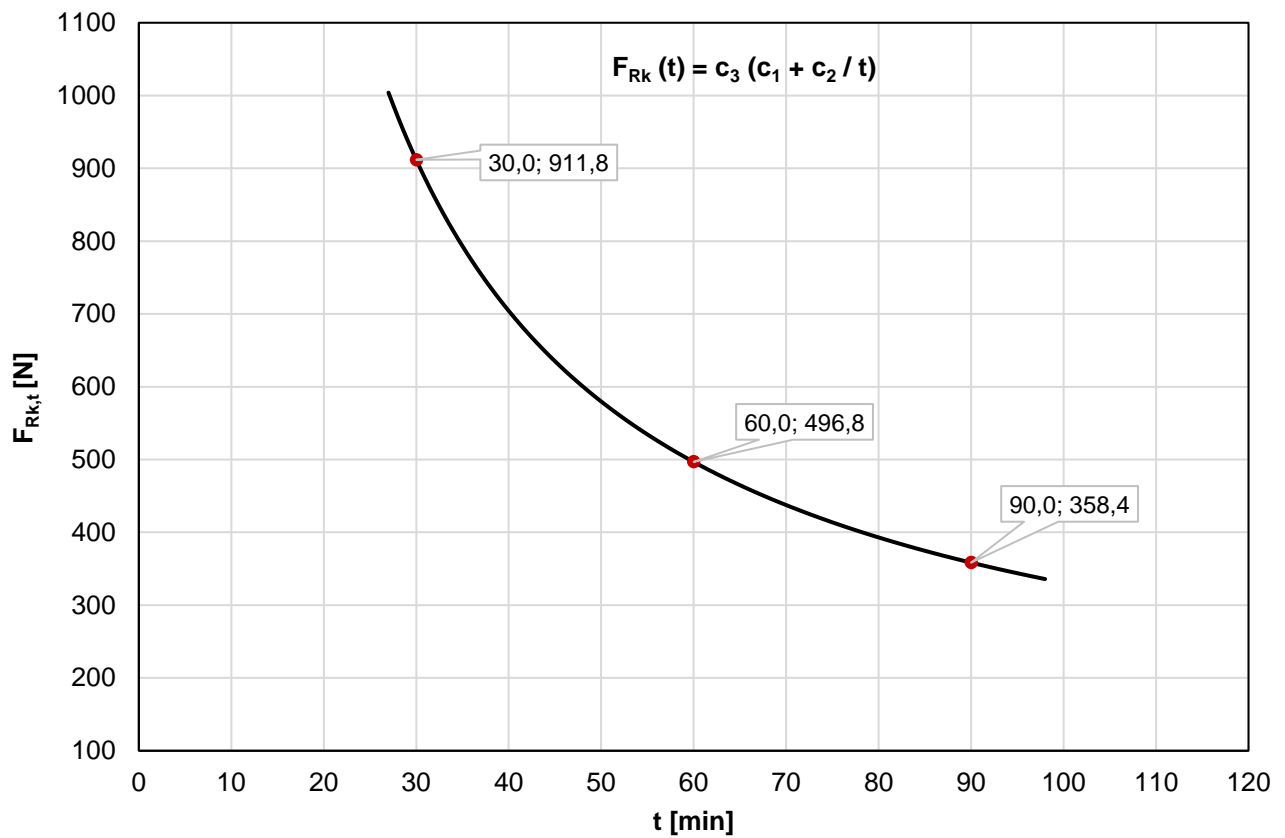
$F_{Rk,t}$  Resistance after an exposure time  $t$  in case of fire [N]  
 $F_{Rk}(t)$  Resistance time function in case of fire [N]

Hilti ultimate pipe clamps MP-U-I and MP-U

Resistance in case of fire of ultimate pipe rings  
 MP-U-I 97-103 – MP-U-I 135-141 and MP-U 102-108 – MP-U 141-147

Annex D19

Figure D10: Regression curve according to Table D10



Hilti ultimate pipe clamps MP-U-I and MP-U

Resistance in case of fire of ultimate pipe rings  
MP-U-I 97-103 – MP-U-I 135-141 and MP-U 102-108 – MP-U 141-147

Annex D20

**Table D11: Resistance  $F_{Rk,t}$  of ultimate pipe rings MP-U-I 97-103 – MP-U-I 135-141 and MP-U 102-108 – MP-U 141-147 in case of fire after  $t = 30, 60$  and  $90$  minutes**

Item number	Designation	Parameter of regression curve $F_{Rk}(t) = c_3 (c_1 + c_2 / t)$	$F_{Rk,t}$ [N]		
			$F_{Rk,30}$	$F_{Rk,60}$	$F_{Rk,90}$
2242326	MP-U-I 97-103 M8/10/O16	$c_1 = 93,8086$ $c_2 = 22866,1849$ $c_3 = 0,871219$ $27 \text{ min} \leq t \leq 98 \text{ min}$	745,8	413,7	303,1
2242327	MP-U-I 103-109 M8/10/O16				
2242328	MP-U-I 109-115 4" M8/10/O16				
2242329	MP-U-I 115-121 M8/10/O16				
2242330	MP-U-I 122-128 M8/10/O16				
2242331	MP-U-I 129-135 M8/10/O16				
2305377	MP-U-I 135-141 5" M8/10/O16				
2242301	MP-U-I 97-103 M8/10/1/2"				
2242302	MP-U-I 103-109 M8/10/1/2"				
2242303	MP-U-I 109-115 4" M8/10/1/2"				
2242304	MP-U-I 115-121 M8/10/1/2"				
2242305	MP-U-I 122-128 M8/10/1/2"				
2242306	MP-U-I 129-135 M8/10/1/2"				
2305371	MP-U-I 135-141 5" M8/10/1/2"				
2242377	MP-U 102-108 M8/10/1/2"				
2242378	MP-U 109-115 4" M8/10/1/2"				
2242379	MP-U 115-121 M8/10/1/2"				
2242380	MP-U 121-127 M8/10/1/2"				
2242235	MP-U 128-134 M8/10/1/2"				
2242332	MP-U 135-141 5" M8/10/1/2"				
2305357	MP-U 141-147 M8/10/1/2"				

**Designation**

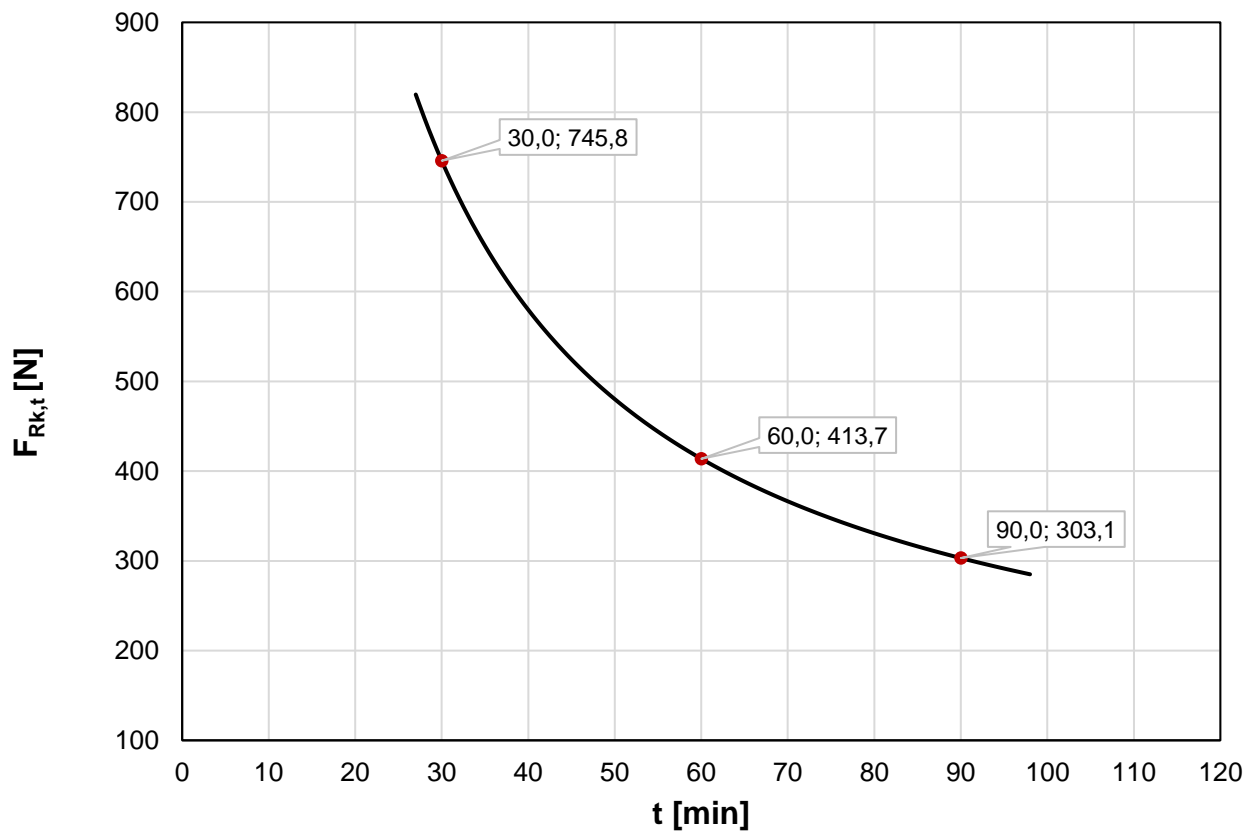
$F_{Rk,t}$  Resistance after an exposure time  $t$  in case of fire [N]  
 $F_{Rk}(t)$  Resistance time function in case of fire [N]

Hilti ultimate pipe clamps MP-U-I and MP-U

Resistance in case of fire of ultimate pipe rings  
MP-U-I 97-103 – MP-U-I 135-141 and MP-U 102-108 – MP-U 141-147

Annex D21

Figure D11: Regression curve according to Table D11



Hilti ultimate pipe clamps MP-U-I and MP-U

Resistance in case of fire of ultimate pipe rings  
MP-U-I 97-103 – MP-U-I 135-141 and MP-U 102-108 – MP-U 141-147

Annex D22

**Table D12: Load displacement function and deformations of ultimate pipe rings  
MP-U-I 97-103 – MP-U-I 135-141 and MP-U 102-108 – MP-U 141-147 in case of fire**

Item number	Designation	Parameter of regression curve	$F_{Rk,30}(\delta)$ [N]				$\delta_{max,t}$ [mm]	
			$F_{Rk,30}(20)$	$F_{Rk,30}(24)$	$F_{Rk,30}(28)$	$F_{Rk,30}(30)$	$\delta_{max,60}$	$\delta_{max,90}$
2242276	MP-U-I 97-103 M8/10	$F_{Rk,30}(\delta) = a_3(a_1 + \delta^{a_2})$  $a_1 = 3,1095$ $a_2 = 1,6655$ $a_3 = 0,8348$  $19 \text{ mm} \leq \delta \leq 32 \text{ mm}$	381,2	516,4	667,5	748,8	41,5	52,7
2242277	MP-U-I 103-109 M8/10							
2242278	MP-U-I 109-115 4" M8/10							
2242279	MP-U-I 115-121 M8/10							
2242280	MP-U-I 122-128 M8/10							
2242281	MP-U-I 129-135 M8/10							
2305365	MP-U-I 135-141 5" M8/10							
2242352	MP-U 102-108 M8/10							
2242353	MP-U 109-115 4" M8/10							
2242354	MP-U 115-121 M8/10							
2242355	MP-U 121-127 M8/10							
2242356	MP-U 128-134 M8/10							
2242357	MP-U 135-141 5" M8/10							
2305351	MP-U 141-147 M8/10							
2242326	MP-U-I 97-103 M8/10/O16							
2242327	MP-U-I 103-109 M8/10/O16							
2242328	MP-U-I 109-115 4" M8/10/O16							
2242329	MP-U-I 115-121 M8/10/O16							
2242330	MP-U-I 122-128 M8/10/O16							
2242331	MP-U-I 129-135 M8/10/O16							
2305377	MP-U-I 135-141 5" M8/10/O16							
2242301	MP-U-I 97-103 M8/10/1/2"							
2242302	MP-U-I 103-109 M8/10/1/2"							
2242303	MP-U-I 109-115 4" M8/10/1/2"							
2242304	MP-U-I 115-121 M8/10/1/2"							
2242305	MP-U-I 122-128 M8/10/1/2"							
2242306	MP-U-I 129-135 M8/10/1/2"							
2305371	MP-U-I 135-141 5" M8/10/1/2"							
2242377	MP-U 102-108 M8/10/1/2"							
2242378	MP-U 109-115 4" M8/10/1/2"							
2242379	MP-U 115-121 M8/10/1/2"							
2242380	MP-U 121-127 M8/10/1/2"							
2242235	MP-U 128-134 M8/10/1/2"							
2242332	MP-U 135-141 5" M8/10/1/2"							
2305357	MP-U 141-147 M8/10/1/2"							

**Designation**

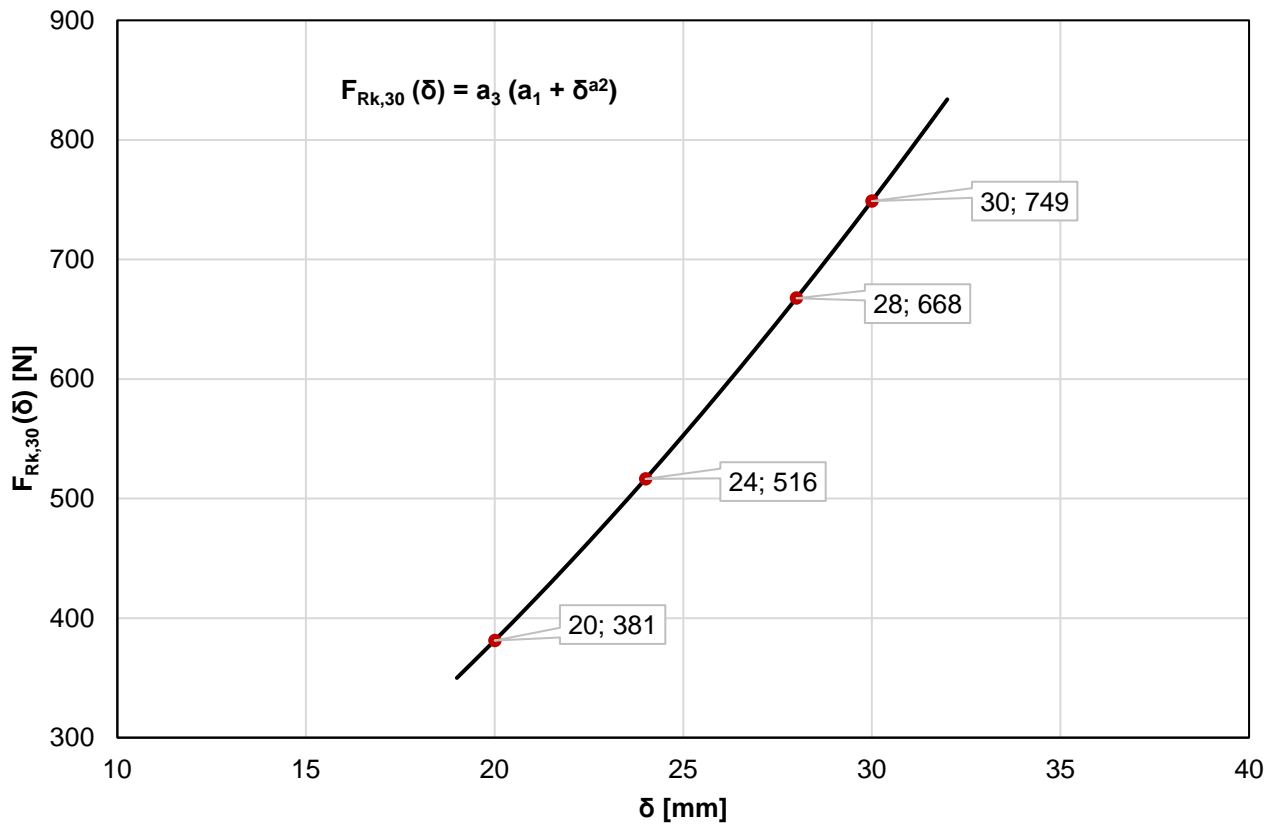
- $\delta$  Deformation
- $\delta_{max,t}$  Maximum deformation after an exposure time  $\leq t$  minutes in case of fire
- $F_{Rk,30}(\delta)$  Load displacement function for an exposure time  $t = 30$  minutes in case of fire

Hilti ultimate pipe clamps MP-U-I and MP-U

Load displacement function and deformations in case of fire of ultimate pipe rings MP-U-I 97-103 – MP-U-I 135-141 and MP-U 102-108 – MP-U 141-147

Annex D23

Figure D12: Regression curve according to Table D12



Hilti ultimate pipe clamps MP-U-I and MP-U

Load displacement function and deformations in case of fire of ultimate pipe rings MP-U-I 97-103 – MP-U-I 135-141 and MP-U 102-108 – MP-U 141-147

Annex D24

**Table D13: Resistance  $F_{Rk,t}$  of ultimate pipe rings MP-U-I 141-147 – MP-U-I 165-170 and MP-U 147-153 – MP-U 170-176 in case of fire after  $t = 30, 60$  and  $90$  minutes**

Item number	Designation	Parameter of regression curve	$F_{Rk,t}$ [N]		
			$F_{Rk,30}$	$F_{Rk,60}$	$F_{Rk,90}$
2305366	MP-U-I 141-147 M8/10	$c_1 = 150,3069$ $c_2 = 29298,0467$ $c_3 = 0,881442$ $27 \text{ min} \leq t \leq 112 \text{ min}$	993,3	562,9	419,4
2305367	MP-U-I 147-153 M8/10				
2305368	MP-U-I 154-160 M8/10				
2305369	MP-U-I 160-166 6" M8/10				
2305370	MP-U-I 164-170 M8/10				
2305352	MP-U 147-153 M8/10				
2305353	MP-U 153-159 M8/10				
2305354	MP-U 160-166 6" M8/10				
2305355	MP-U 166-172 M8/10				
2305356	MP-U 170-176 M8/10				

**Designation**

$F_{Rk,t}$  Resistance after an exposure time  $t$  in case of fire [N]  
 $F_{Rk}(t)$  Resistance time function in case of fire [N]

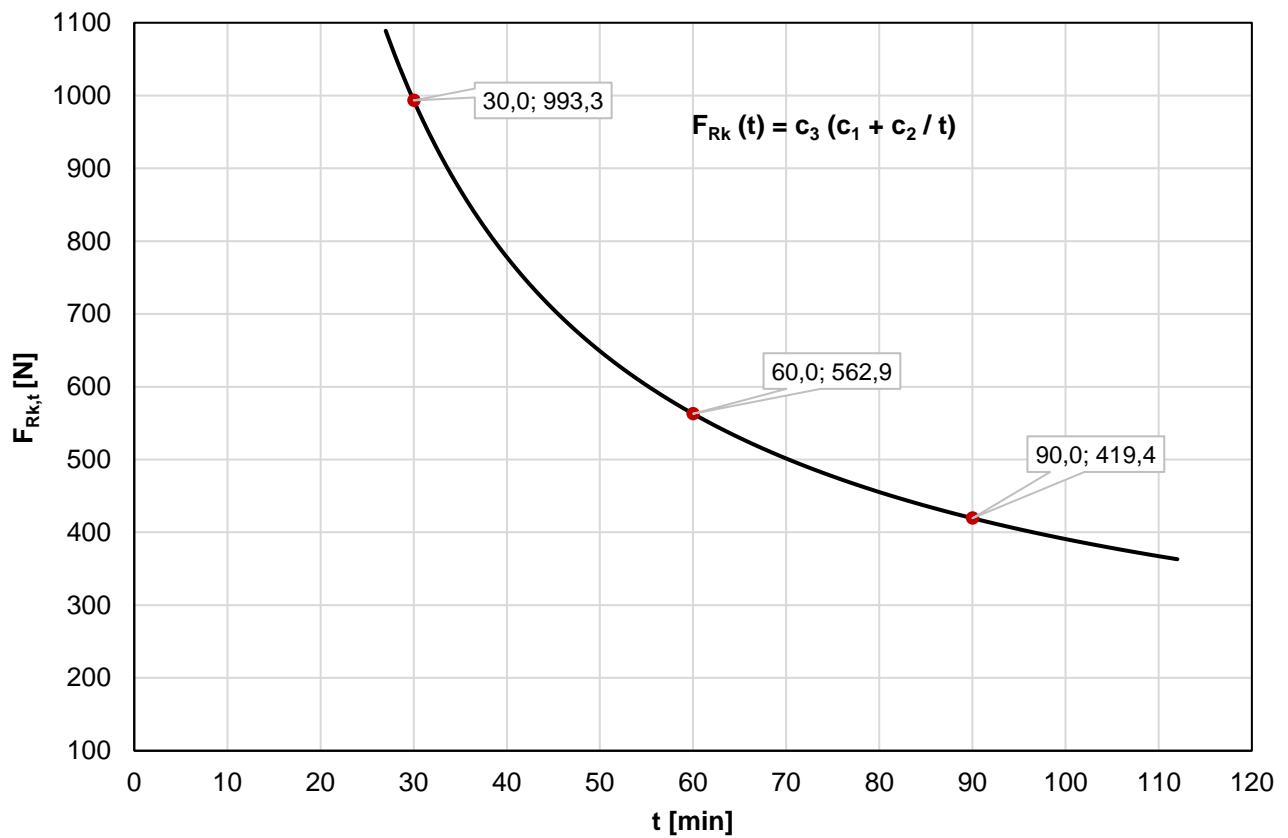
Hilti ultimate pipe clamps MP-U-I and MP-U

Resistance in case of fire of ultimate pipe rings  
 MP-U-I 141-147 – MP-U-I 165-170 and MP-U 147-153 – MP-U 170-176

Annex D25



Figure D13: Regression curve according to Table D13



Hilti ultimate pipe clamps MP-U-I and MP-U

Resistance in case of fire of ultimate pipe rings  
MP-U-I 141-147 – MP-U-I 165-170 and MP-U 147-153 – MP-U 170-176

Annex D26

**Table D14: Resistance  $F_{Rk,t}$  of ultimate pipe rings MP-U-I 141-147 – MP-U-I 165-170 and MP-U 147-153 – MP-U 170-176 in case of fire after  $t = 30, 60$  and  $90$  minutes**

Item number	Designation	Parameter of regression curve	$F_{Rk,t}$ [N]		
		$F_{Rk}(t) = c_3 (c_1 + c_2 / t)$	$F_{Rk,30}$	$F_{Rk,60}$	$F_{Rk,90}$
2305378	MP-U-I 141-147 M8/10/O16	$c_1 = 150,3069$ $c_2 = 23435,1849$ $c_3 = 0,881442$ $27 \text{ min} \leq t \leq 112 \text{ min}$	821,1	476,8	362,0
2305379	MP-U-I 147-153 M8/10/O16				
2305380	MP-U-I 154-160 M8/10/O16				
2305381	MP-U-I 160-166 6" M8/10/O16				
2305382	MP-U-I 164-170 M8/10/O16				
2305372	MP-U-I 141-147 M8/10/1/2"				
2305373	MP-U-I 147-153 M8/10/1/2"				
2305374	MP-U-I 154-160 M8/10/1/2"				
2305375	MP-U-I 160-166 6" M8/10/1/2"				
2305376	MP-U-I 164-170 M8/10/1/2"				
2305358	MP-U 147-153 M8/10/1/2"				
2305359	MP-U 153-159 M8/10/1/2"				
2305360	MP-U 160-166 6" M8/10/1/2"				
2305361	MP-U 166-172 M8/10/1/2"				
2305362	MP-U 170-176 M8/10/1/2"				

**Designation**

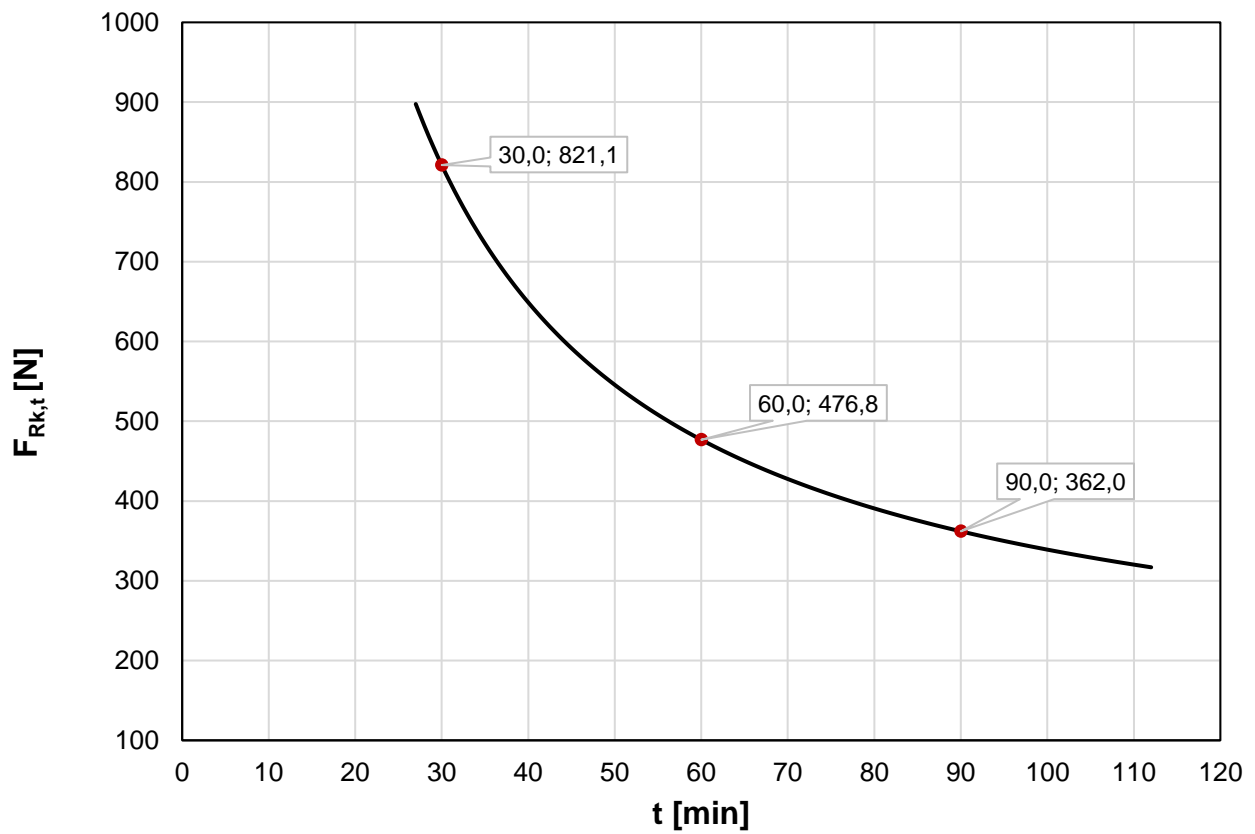
$F_{Rk,t}$  Resistance after an exposure time  $t$  in case of fire [N]  
 $F_{Rk}(t)$  Resistance time function in case of fire [N]

Hilti ultimate pipe clamps MP-U-I and MP-U

Resistance in case of fire of ultimate pipe rings  
 MP-U-I 141-147 – MP-U-I 165-170 and MP-U 147-153 – MP-U 170-176

Annex D27

Figure D14: Regression curve according to Table D14



Hilti ultimate pipe clamps MP-U-I and MP-U

Resistance in case of fire of ultimate pipe rings  
MP-U-I 141-147 – MP-U-I 165-170 and MP-U 147-153 – MP-U 170-176

Annex D28

**Table D15: Load displacement function and deformations of ultimate pipe rings  
MP-U-I 141-147 – MP-U-I 165-170 and MP-U 147-153 – MP-U 170-176 in case of fire**

Item number	Designation	Parameter of regression curve	$F_{Rk,30}(\delta)$ [N]				$\delta_{max,t}$ [mm]	
			$F_{Rk,30}(\delta) = a_3(a_1 + \delta^{a_2})$	$F_{Rk,30}(20)$	$F_{Rk,30}(30)$	$F_{Rk,30}(40)$	$F_{Rk,30}(50)$	$\delta_{max,60}$
2305366	MP-U-I 141-147 M8/10	$a_1 = 10,3048$ $a_2 = 1,2434$ $a_3 = 0,7472$ $19 \text{ mm} \leq \delta \leq 50 \text{ mm}$	319,3	528,5	755,8	997,5	56,4	61,1
2305367	MP-U-I 147-153 M8/10							
2305368	MP-U-I 154-160 M8/10							
2305369	MP-U-I 160-166 6" M8/10							
2305370	MP-U-I 164-170 M8/10							
2305352	MP-U 147-153 M8/10							
2305353	MP-U 153-159 M8/10							
2305354	MP-U 160-166 6" M8/10							
2305355	MP-U 166-172 M8/10							
2305356	MP-U 170-176 M8/10							
2305378	MP-U-I 141-147 M8/10/O16							
2305379	MP-U-I 147-153 M8/10/O16							
2305380	MP-U-I 154-160 M8/10/O16							
2305381	MP-U-I 160-166 6" M8/10/O16							
2305382	MP-U-I 164-170 M8/10/O16							
2305372	MP-U-I 141-147 M8/10/1/2"							
2305373	MP-U-I 147-153 M8/10/1/2"							
2305374	MP-U-I 154-160 M8/10/1/2"							
2305375	MP-U-I 160-166 6" M8/10/1/2"							
2305376	MP-U-I 164-170 M8/10/1/2"							
2305358	MP-U 147-153 M8/10/1/2"							
2305359	MP-U 153-159 M8/10/1/2"							
2305360	MP-U 160-166 6" M8/10/1/2"							
2305361	MP-U 166-172 M8/10/1/2"							
2305362	MP-U 170-176 M8/10/1/2"							

**Designation**

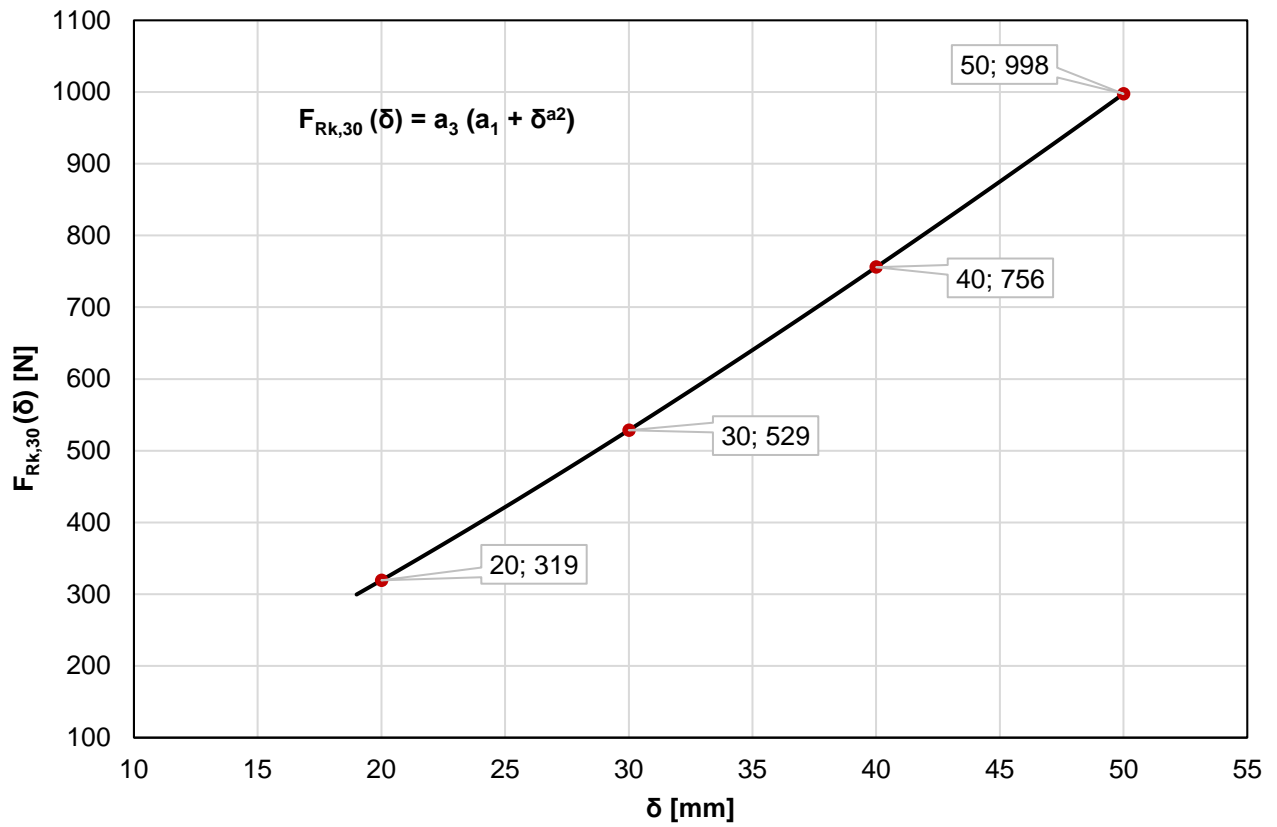
- $\delta$  Deformation
- $\delta_{max,t}$  Maximum deformation after an exposure time  $\leq t$  minutes in case of fire
- $F_{Rk,30}(\delta)$  Load displacement function for an exposure time  $t = 30$  minutes in case of fire

Hilti ultimate pipe clamps MP-U-I and MP-U

Load displacement function and deformations in case of fire of ultimate pipe rings MP-U-I 141-147 – MP-U-I 165-170 and MP-U 147-153 – MP-U 170-176

Annex D29

Figure D15: Regression curve according to Table D15

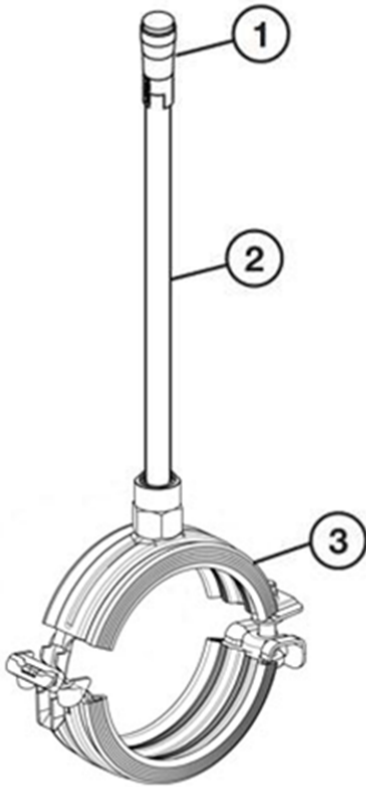


Hilti ultimate pipe clamps MP-U-I and MP-U

Load displacement function and deformations in case of fire of ultimate pipe rings MP-U-I 141-147 – MP-U-I 165-170 and MP-U 147-153 – MP-U 170-176

Annex D30

Figure E1: Bill of material and instructions for use



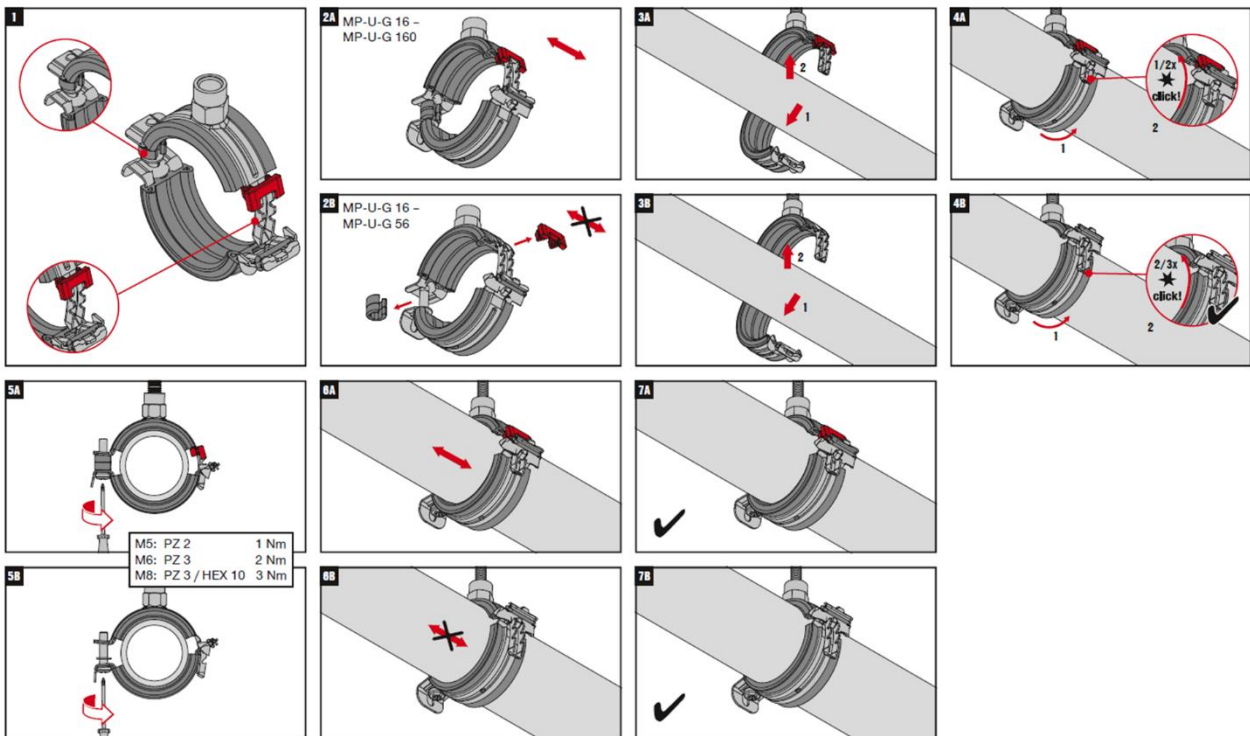
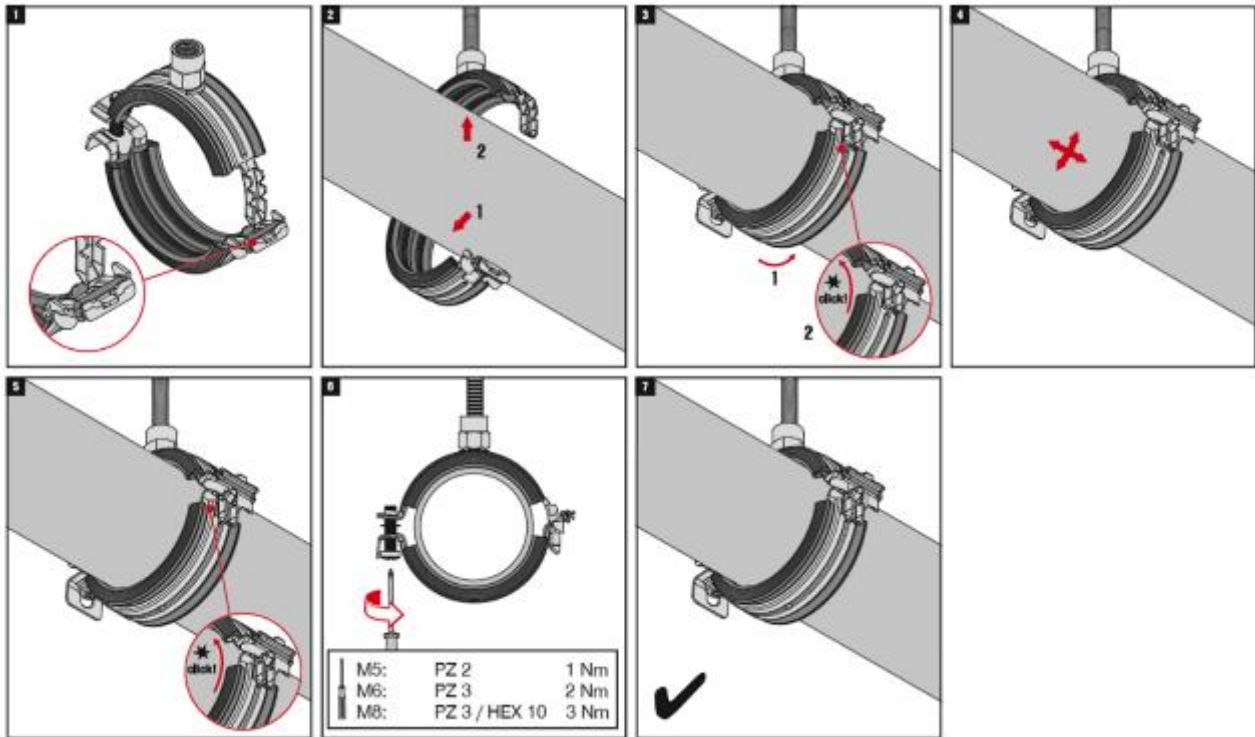
Bill of material					
Part of typical		Ref.	Opt.	Item No.	Description
Setup	Fixation	1	A	376967	HKD M10x40 drop-in anchor
		2	A*	339793	AM8x1000 4.8 threaded rod
				339794	AM8x2000 4.8 threaded rod
2	B**	216415	AM8x3000 4.8 threaded rod		
Pipe clamp	M8	3	A*	339795	AM10x1000 4.8 threaded rod
				216422	AM16x2000 4.8 threaded rod
				56428	GR-G 1/2"x2000 4.6 threaded rod
Pipe clamp	M8	3	A*	2242237 - 2242239 2242250 - 2242256 2305363 - 2305364	MP-U M8
Pipe clamp	M8/10 M8/10/O16 M8/10/1/2"	3	A B C D E	2242258 - 2305376***	MP-U M8/10 MP-U M8/1/2" MP-U-I M8/10 MP-U-I M8/10/O16 MP-U-I M8/10/1/2"
Pipe clamp	M8/10	3	A*	2275028 - 2275041	MP-U-G M8/10

\* Only for use under ambient temperature  
 \*\* In case of fire  
 \*\*\* Excluding item no. 2275020 to 2274899

Hilti ultimate pipe clamps MP-U-I and MP-U

General assembly instructions

Annex E1  
 (informative)



Hilti ultimate pipe clamps MP-U-I and MP-U

General assembly instructions

Annex E2  
(informative)



## Europäische Technische Bewertung

## ETA-20/0952 vom 30.11.2022

(Deutsche Übersetzung - Original in französischer Sprache)

### Allgemeiner Teil

Hundelsbezeichnung:	Rohrschellen Hilti Ultimate MP-U-I, MP-U und MP-U-G
Produktfamilie:	Products for installation systems for supporting technical building equipment
Hersteller:	Hilti AG Liechtenstein Feldkircherstraße 100 9494 Schaan FÜRSTENTUM LIECHTENSTEIN
Herstellungsbetrieb:	L 9295
Diese Europäische Technische Bewertung enthält:	70 Seiten einschließlich 67 Seiten in Anhängen, die fester Bestandteil dieser Bewertung sind
Diese Europäische Technische Bewertung wird gemäß der Verordnung (EU) Nr. 305/2011 ausgestellt, auf der Grundlage von:	Europäisches Bewertungsdokument EAD 280016-00-0602 Version August 2017
Diese Version ersetzt:	ETA-20/0952 vom 09.06.2021

Die Europäische Technische Bewertung wird von der technischen Bewertungsstelle in ihrer Amtssprache ausgestellt. Übersetzungen dieser Europäischen Technischen Bewertung in andere Sprachen müssen dem Original vollständig entsprechen und müssen als solche gekennzeichnet sein. Diese Europäische Technische Bewertung darf, auch bei elektronischer Übermittlung, nur vollständig und ungekürzt wiedergegeben werden. Eine teilweise Wiedergabe kann nur mit schriftlicher Zustimmung der ausstellenden technischen Bewertungsstelle erfolgen. Jede teilweise Wiedergabe ist als solche zu kennzeichnen. Die ausstellende technische Bewertungsstelle kann diese Europäische Technische Bewertung widerrufen, insbesondere nach Unterrichtung durch die Kommission gemäß Artikel 25 Absatz 3 der Verordnung (EU) Nr. 305/2011.



**Besonderer Teil**

**1 Technische Beschreibung des Produkts**

Inhalt dieser Europäischen Technischen Bewertung sind die Rohrschellen Hilti Ultimate MP-U-I, MP-U-I und MP-U-G. Die Rohrschellen bestehen jeweils aus zwei profilierten Stahlbändern, die so ausgebildet sind, dass sie ein Rohr kreisförmig umschließen können. Die Schellenbänder sind auf einer Seite durch eine Schraube miteinander verbunden, auf der anderen Seite durch ein Steckverriegelungssystem. Die Rohrschellen werden an die Außenseite des zu befestigenden Rohrs gedrückt und durch eine Spannschraube gehalten. Jede Rohrschelle hat einen ausgewiesenen Spannbereich, in dem sie eingesetzt werden kann. Das obere Schellenband hat einen aufgeschweißten Anschlusskopf mit Anschlussgewinde M8, M8/M10, M8/10/O16 oder M8/10/½".

An der Innenseite sind die Rohrschellen MP-U-I zur Körperschallentkopplung, zum Ausgleich von Unebenheiten und zur Vermeidung von Kontaktkorrosion mit einem TPE-Profil versehen.

Die Klemmleisten von MP-U-G sind auf der Innenseite mit einem EPDM-Profil ausgestattet, um die Reibung zu verringern und ein Gleiten des Rohres durch Wärmeausdehnung zu ermöglichen und Unebenheiten auszugleichen.

Anhang A beschreibt die Abmessungen und Werkstoffe der Rohrschellen Hilti Ultimate MP-U-I, MP-U und MP-U-G. Die Voraussetzungen für die Leistungsbewertung sind in Anhang B beschrieben.

**2 Spezifizierung des Verwendungszwecks**

Von den Leistungen in Abschnitt 3 kann nur ausgegangen werden, sofern die Rohrschellen Hilti Ultimate MP-U-I, MP-U und MP-U-G entsprechend den Angaben und unter den Rundbedingungen nach den Anhängen A bis D verwendet werden. Die Prüf- und Bewertungsmethoden, die dieser Europäischen Technischen Bewertung zugrunde liegen, führen zur Annahme einer Nutzungsdauer der Rohrschellen von mindestens 50 Jahren unter Endnutzungsbedingungen in Innenräumen bei normalen Temperaturen. Die Angaben zur Nutzungsdauer können nicht als Garantie des Herstellers ausgelegt werden, sondern dienen lediglich als Anhaltspunkt zur Auswahl des richtigen Produkts im Hinblick auf die erwartete wirtschaftlich angemessene Nutzungsdauer.

Gemäß Europäischem Bewertungsdokument EAD 280016-00-0602 sind folgende Verwendungszwecke für das Produkt vorgesehen:

- a) Installation zur Halterung von Sprinkler-Bausätzen;
- b) Installation zur Halterung von technischer Gebäudeausstattung.

**3 Leistung des Produkts und Angaben zu den verwendeten Bewertungsmethoden**

**3.1 Brandschutz (BWR 2)**

Wesentliches Merkmal	Leistung
Brundverhalten:	Klasse A1
Widerstand und Verformungen der Rohrschellen Hilti Ultimate MP-U-I M8/10, MP-U-I M8/10/O16, MP-U-I M8/10/½", MP-U M8/10 und MP-U M8/10/½" unter Brundbeanspruchung	siehe Anhang D

**3.2 Sicherheit und Barrierefreiheit bei der Nutzung (BWR 4)**

Wesentliche Merkmale	Leistung
Abmessungen und Werkstoffe der Rohrschellen Hilti Ultimate MP-U-I M8/10, MP-U-I M8/10/O16, MP-U-I M8/10/1/2", MP-U M8/10 und MP-U M8/10/1/2"	siehe Anhang A
Charakteristische Eigenschaften der Rohrschellen Hilti Ultimate MP-U-I M8, MP-U-I M8/10, MP-U-I M8/10/O16, MP-U-I M8/10/1/2", MP-U M8/10, MP-U M8/10/1/2", MP-U-G M8, MP-U-G M8/10 und MP-U-G M8/10/1/2" bei Raumtemperatur	siehe Anhang C

**4 Angewandtes System zur Bewertung und Überprüfung der Leistungsbeständigkeit (AVCP) mit Angabe der Rechtsgrundlage**

Gemäß Europäischem Bewertungsdokument EAD 280016-00-0602 gelten die folgenden Rechtsgrundlagen:

- **Im Fall des in Abschnitt 2 genannten Verwendungszwecks a):**  
Entscheidung der Kommission Nr. 96/577/EG in der durch die Entscheidung 2002/592/EG der Kommission geänderten Fassung:  
System 1 ist zur Bewertung und Überprüfung der Leistungsbeständigkeit (AVCP) anzuwenden.
- **Im Fall des in Abschnitt 2 genannten Verwendungszwecks a):**  
Entscheidung der Kommission Nr. 97/161/EG:  
System 2+ ist zur Bewertung und Überprüfung der Leistungsbeständigkeit (AVCP) anzuwenden.

Entscheidung der Kommission Nr. 1999/472/EG in der durch die Entscheidung 2001/596/EG geänderten Fassung der Kommission:  
System 3 ist zur Bewertung und Überprüfung der Leistungsbeständigkeit (AVCP) anzuwenden.

**5 Für die Durchführung des Systems zur Bewertung und Überprüfung der Leistungsbeständigkeit (AVPC) erforderliche technische Einzelheiten gemäß anwendbarem EAD**

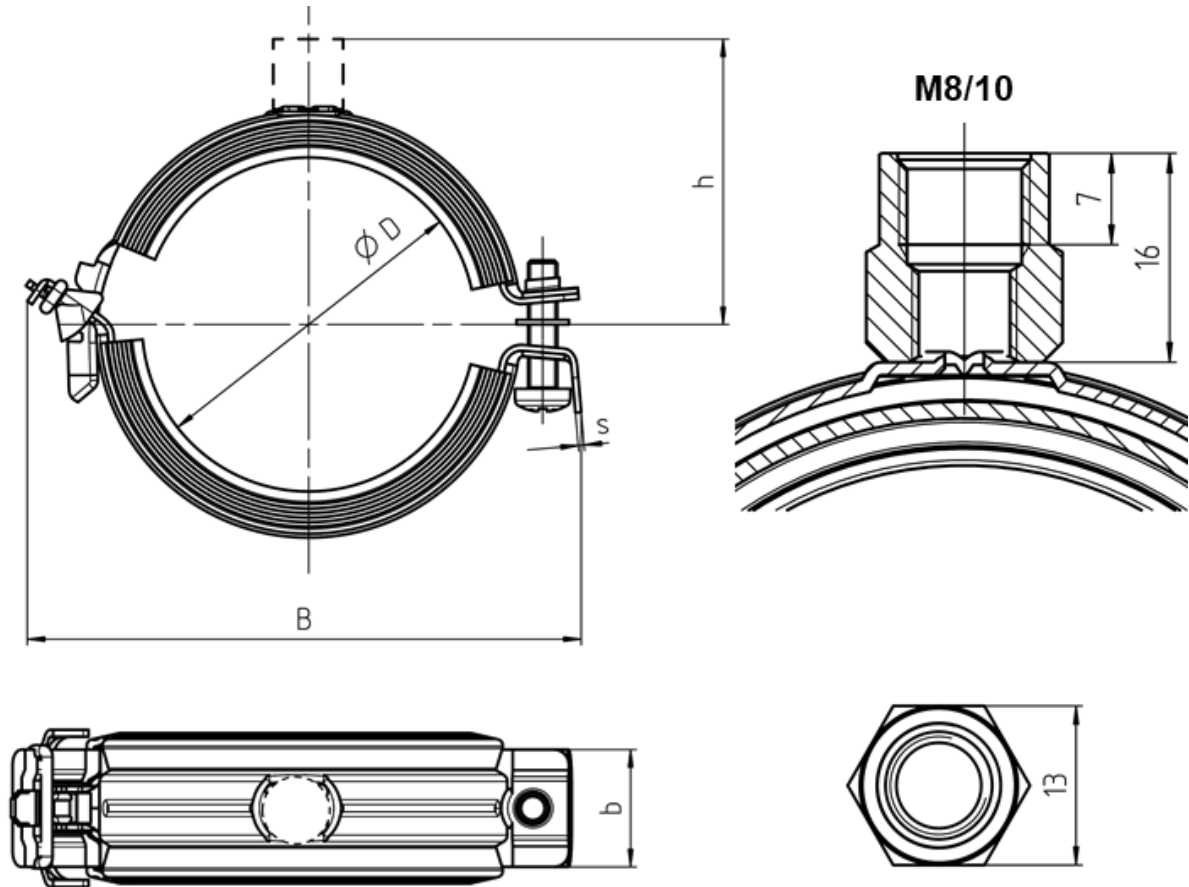
Technische Einzelheiten, die für die Durchführung des Systems zur Bewertung und Überprüfung der Leistungsbeständigkeit erforderlich sind, sind im Prüfplan (vertraulicher Bestandteil dieser Europäischen Technischen Bewertung) angegeben, der beim Centre Scientifique et Technique du Bâtiment (CSTB) hinterlegt ist.

Der Hersteller hat auf vertraglicher Grundlage eine Stelle einzuschalten, die für die Aufgaben im Hinblick auf die Ausstellung einer CE-Konformitätsbescheinigung im Bereich Ankerschienen auf Basis des Prüfplans zugelassen ist.

**Deutsche Übersetzung - Original in französischer Sprache unterschrieben von**

Abteilungsleiterin, Anca CRONOPOL

Abbildung A1: Geometrie und Abmessungen der Rohrschellen Hilti Ultimate MP-U-I M8/M10



Abmessungen in mm

Tabelle A1: Werkstoffe der Rohrschellen Hilti Ultimate MP-U-I M8/10

Komponenten der Rohrschelle	Werkstoffe
Schellenbund	DC01 gemäß EN 10130 für Bänder 1,0 mm DD11 MOD 360 gemäß EN 10111 für Bänder 1,5 mm, 1,8 mm und 2,0 mm
Anschlusskopf	Eigenschaftsklasse $\geq 5$ gemäß ISO 898-2
Spannschraube M5, M6, M8	Festigkeitsklasse $\geq 4,8$ gemäß EN ISO 7045
Flachstück	DC01 gemäß EN 10130 für Flachstück 1,2 mm DD11 MOD 360 gemäß EN 10111 für Flachstück 1,8 mm, 2,0 mm
Unterlegscheibe	HDPE
O-Ring	EPDM / NBR
Elastomereinlage	TPE

Rohrschellen Hilti Ultimate MP-U, MP-U-I und MP-U-G

Produktbeschreibung  
Abmessungen und Werkstoffe

Anhang A1

Tabelle A2: Abmessungen und Anzugsdrehmomente der Rohrschellen MP-U-I M8/10

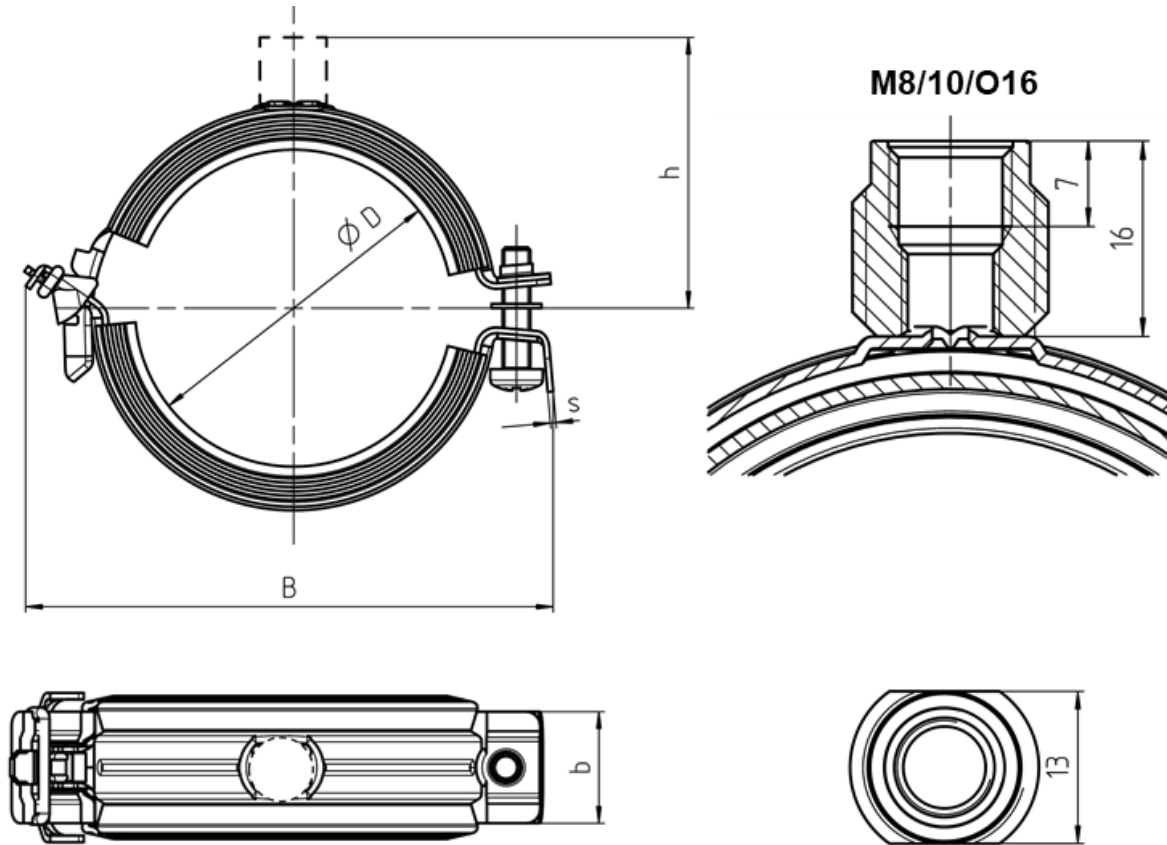
Artikelnummer	Bezeichnung	D [mm]	B [mm]	b x s [mm]	h [mm]	Zahnzahl	Anzugsdrehmoment [Nm]	Schraubengröße
2242258	MP-U-I 9-13 1/8" M8/10	13	46	20x1,0	28	2	1	M5x18
2242259	MP-U-I 13-17 1/4" M8/10	17	49	20x1,0	29	2	1	M5x18
2242260	MP-U-I 17-21 3/8" M8/10	21	53	20x1,0	31	2	1	M5x18
2242261	MP-U-I 21-25 1/2" M8/10	25	56	20x1,0	34	3	1	M5x22
2242262	MP-U-I 25-29 3/4" M8/10	29	62	20x1,0	36	3	1	M5x22
2242263	MP-U-I 29-33 M8/10	33	66	20x1,0	38	3	1	M5x22
2242264	MP-U-I 33-37 1" M8/10	37	70	20x1,0	40	3	1	M5x22
2242265	MP-U-I 37-42 M8/10	42	75	20x1,0	43	3	1	M5x22
2242266	MP-U-I 42-47 1 1/4" M8/10	47	80	20x1,0	45	3	1	M5x22
2242267	MP-U-I 47-52 1 1/2" M8/10	52	85	20x1,0	48	3	1	M5x22
2242268	MP-U-I 52-57 M8/10	57	90	20x1,0	50	3	1	M5x22
2242269	MP-U-I 57-62 2" M8/10	62	95	20x1,0	53	3	1	M5x22
2242270	MP-U-I 62-67 M8/10	67	110	24x1,5	56	3	2	M6x30
2242271	MP-U-I 67-72 M8/10	72	115	24x1,5	58	3	2	M6x30
2242272	MP-U-I 72-77 2 1/2" M8/10	77	120	24x1,5	61	3	2	M6x30
2242273	MP-U-I 78-84 M8/10	84	127	24x1,5	64	3	2	M6x30
2242274	MP-U-I 84-90 3" M8/10	90	133	24x1,5	67	3	2	M6x30
2242275	MP-U-I 90-96 M8/10	96	139	24x1,5	70	3	2	M6x30
2242276	MP-U-I 97-103 M8/10	103	152	24x1,8	74	3	3	M8x35
2242277	MP-U-I 103-109 M8/10	109	160	24x1,8	78	3	3	M8x35
2242278	MP-U-I 109-115 4" M8/10	115	166	24x1,8	81	3	3	M8x35
2242279	MP-U-I 115-121 M8/10	121	172	24x1,8	84	3	3	M8x35
2242280	MP-U-I 122-128 M8/10	128	179	24x1,8	87	3	3	M8x35
2242281	MP-U-I 129-135 M8/10	135	186	24x1,8	91	3	3	M8x35
2305365	MP-U-I 135-141 5" M8/10	141	192	24x1,8	94	3	3	M8x35
2305366	MP-U-I 141-147 M8/10	147	201	24x2,0	97	3	3	M8x35
2305367	MP-U-I 147-153 M8/10	153	207	24x2,0	100	3	3	M8x35
2305368	MP-U-I 154-160 M8/10	160	214	24x2,0	103	3	3	M8x35
2305369	MP-U-I 160-166 6" M8/10	166	220	24x2,0	106	3	3	M8x35
2305370	MP-U-I 164-170 M8/10	170	224	24x2,0	108	3	3	M8x35

Rohrschellen Hilti Ultimate MP-U, MP-U-I und MP-U-G

Produktbeschreibung  
Abmessungen

Anhang A2

Abbildung A2: Geometrie und Abmessungen der Rohrschellen Hilti Ultimate MP-U-I M8/10/O16



Abmessungen in mm

Tabelle A3: Werkstoffe der Rohrschellen Hilti Ultimate MP-U-I M8/10/O16

Komponenten der Rohrschelle	Werkstoffe
Schellenbund	DC01 gemäß EN 10130 für Bänder 1.0 mm DD11 MOD gemäß EN 10111 für Bänder 1.5 mm, 1.8 mm und 2.0 mm
Anschlusskopf	Property class $\geq 5$ in accordance with ISO 898-2
Spannschraube M5, M6, M8	Festigkeitsklasse $\geq 4.8$ gemäß EN ISO 7045
Flachstück	DC01 gemäß EN 10130 für Flachstücke 1,2 mm DD11 MOD gemäß EN 10111 für Flachstücke 1,8 mm, 2,0 mm
Unterlegscheibe	HDPE
O-Ring	EPDM / NBR
Elastomereinlage	TPE

Rohrschellen Hilti Ultimate MP-U, MP-U-I und MP-U-G

Produktbeschreibung  
Abmessungen und Werkstoffe

Anhang A3

Tabelle A4: Abmessungen und Anzugsdrehmomente der Rohrschellen MP-U-I M8/10/O16

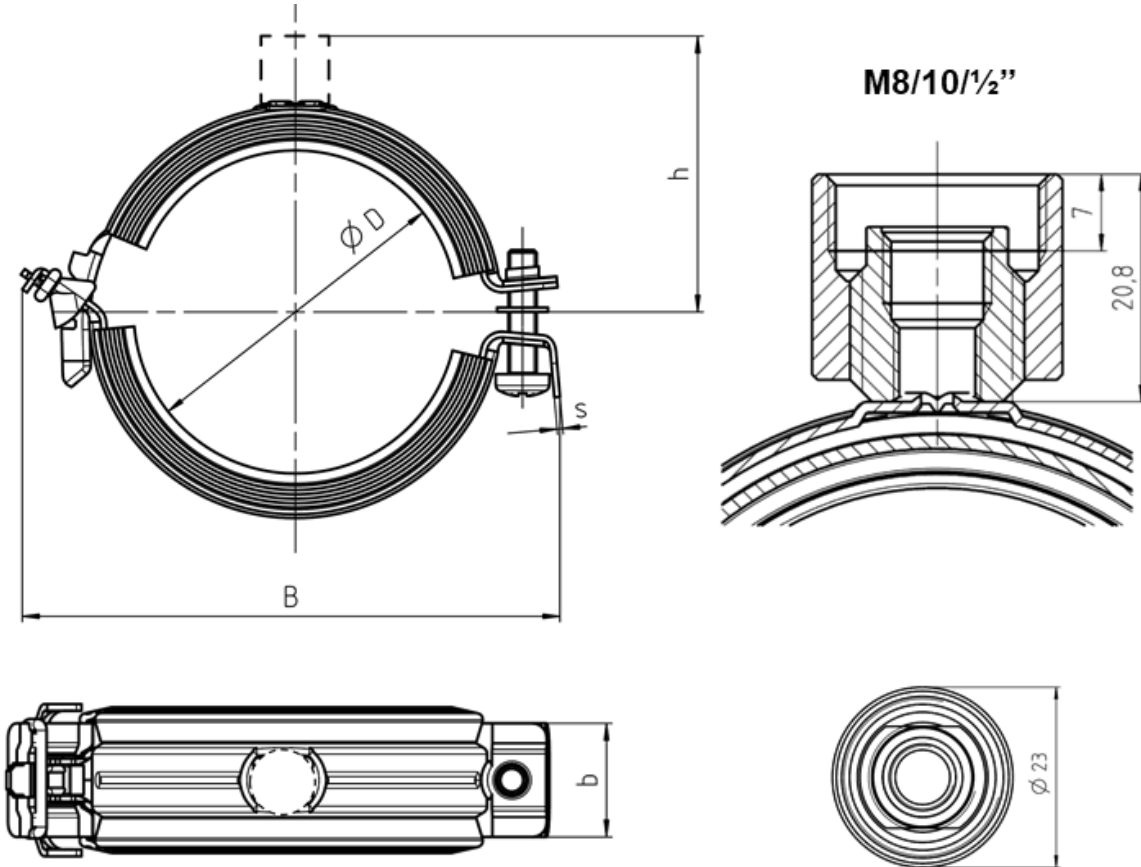
Artikelnummer	Bezeichnung	D [mm]	B [mm]	b x s [mm]	h [mm]	Zahnzahl	Anzugsdrehmoment [Nm]	Schrauben-größe
2242308	MP-U-I 9-13 1/8" M8/10/O16	13	46	20x1,0	28	2	1	M5x18
2242309	MP-U-I 13-17 1/4" M8/10/O16	17	49	20x1,0	29	2	1	M5x18
2242310	MP-U-I 17-21 3/8" M8/10/O16	21	53	20x1,0	31	2	1	M5x18
2242311	MP-U-I 21-25 1/2" M8/10/O16	25	56	20x1,0	34	3	1	M5x22
2242312	MP-U-I 25-29 3/4" M8/10/O16	29	62	20x1,0	36	3	1	M5x22
2242313	MP-U-I 29-33 M8/10/O16	33	66	20x1,0	38	3	1	M5x22
2242314	MP-U-I 33-37 1" M8/10/O16	37	70	20x1,0	40	3	1	M5x22
2242315	MP-U-I 37-42 M8/10/O16	42	75	20x1,0	43	3	1	M5x22
2242316	MP-U-I 42-47 1 1/4" M8/10/O16	47	80	20x1,0	45	3	1	M5x22
2242317	MP-U-I 47-52 1 1/2" M8/10/O16	52	85	20x1,0	48	3	1	M5x22
2242318	MP-U-I 52-57 M8/10/O16	57	90	20x1,0	50	3	1	M5x22
2242319	MP-U-I 57-62 2" M8/10/O16	62	95	20x1,0	53	3	1	M5x22
2242320	MP-U-I 62-67 M8/10/O16	67	110	24x1,5	56	3	2	M6x30
2242321	MP-U-I 67-72 M8/10/O16	72	115	24x1,5	58	3	2	M6x30
2242322	MP-U-I 72-77 2 1/2" M8/10/O16	77	120	24x1,5	61	3	2	M6x30
2242323	MP-U-I 78-84 M8/10/O16	84	127	24x1,5	64	3	2	M6x30
2242324	MP-U-I 84-90 3" M8/10/O16	90	133	24x1,5	67	3	2	M6x30
2242325	MP-U-I 90-96 M8/10/O16	96	139	24x1,5	70	3	2	M6x30
2242326	MP-U-I 97-103 M8/10/O16	103	152	24x1,8	74	3	3	M8x35
2242327	MP-U-I 103-109 M8/10/O16	109	160	24x1,8	78	3	3	M8x35
2242328	MP-U-I 109-115 4" M8/10/O16	115	165	24x1,8	81	3	3	M8x35
2242329	MP-U-I 115-121 M8/10/O16	121	172	24x1,8	84	3	3	M8x35
2242330	MP-U-I 122-128 M8/10/O16	128	179	24x1,8	87	3	3	M8x35
2242331	MP-U-I 129-135 M8/10/O16	135	186	24x1,8	91	3	3	M8x35
2305377	MP-U-I 135-141 5" M8/10/O16	141	192	24x1,8	94	3	3	M8x35
2305378	MP-U-I 141-147 M8/10/O16	147	201	24x2,0	97	3	3	M8x35
2305379	MP-U-I 147-153 M8/10/O16	153	207	24x2,0	100	3	3	M8x35
2305380	MP-U-I 154-160 M8/10/O16	160	214	24x2,0	103	3	3	M8x35
2305381	MP-U-I 160-166 6" M8/10/O16	166	220	24x2,0	106	3	3	M8x35
2305382	MP-U-I 164-170 M8/10/O16	170	224	24x2,0	108	3	3	M8x35

Rohrschellen Hilti Ultimate MP-U, MP-U-I und MP-U-G

Produktbeschreibung  
Abmessungen

Anhang A4

Abbildung A3: Geometrie und Abmessungen der Rohrschellen Hilti Ultimate MP-U-I M8/10 1/2"



Abmessungen in mm

Tabelle A5: Werkstoffe der Rohrschellen Hilti Ultimate MP-U-I M8/10 1/2"

Komponenten der Rohrschelle	Werkstoffe
Schellenbund	DC01 gemäß EN 10130 für Bänder 1,0 mm DD11 MOD 360 gemäß EN 10111 für Bänder 1,5 mm, 1,8 mm und 2,0 mm
Anschlusskopf	Eigenschaftsklasse $\geq 5$ gemäß ISO 898-2
Spannschraube M5, M6, M8	Festigkeitsklasse $\geq 4.8$ gemäß EN ISO 7045
Flachstück	DC01 gemäß EN 10130 für Flachstücke 1,2 mm DD11 MOD 360 gemäß EN 10111 für Flachstücke 1,8 mm, 2,0 mm
Unterlegscheibe	HDPE
O-Ring	EPDM / NBR
Elastomereinlage	TPE

Rohrschellen Hilti Ultimate MP-U, MP-U-I und MP-U-G

Produktbeschreibung  
Abmessungen und Werkstoffe

Anhang A5

Tabelle A6: Abmessungen und Anzugsdrehmomente der Rohrschellen MP-U-I M8/10/1/2"

Artikelnummer	Bezeichnung	D [mm]	B [mm]	b x s [mm]	h [mm]	Zahnzahl	Anzugsdrehmoment [Nm]	Schraubengröße
2242283	MP-U-I 9-13 1/8" M8/10/1/2"	13	46	20x1,0	32	2	1	M5x18
2242284	MP-U-I 13-17 1/4" M8/10/1/2"	17	49	20x1,0	34	2	1	M5x18
2242285	MP-U-I 17-21 3/8" M8/10/1/2"	21	53	20x1,0	36	2	1	M5x18
2242286	MP-U-I 21-25 1/2" M8/10/1/2"	25	56	20x1,0	38	3	1	M5x22
2242287	MP-U-I 25-29 3/4" M8/10/1/2"	29	62	20x1,0	41	3	1	M5x22
2242288	MP-U-I 29-33 M8/10/1/2"	33	66	20x1,0	43	3	1	M5x22
2242289	MP-U-I 33-37 1" M8/10/1/2"	37	70	20x1,0	45	3	1	M5x22
2242290	MP-U-I 37-42 M8/10/1/2"	42	75	20x1,0	47	3	1	M5x22
2242291	MP-U-I 42-47 1 1/4" M8/10/1/2"	47	80	20x1,0	50	3	1	M5x22
2242292	MP-U-I 47-52 1 1/2" M8/10/1/2"	52	85	20x1,0	52	3	1	M5x22
2242293	MP-U-I 52-57 M8/10/1/2"	57	90	20x1,0	55	3	1	M5x22
2242294	MP-U-I 57-62 2" M8/10/1/2"	62	95	20x1,0	57	3	1	M5x22
2242295	MP-U-I 62-67 M8/10/1/2"	67	110	24x1,5	61	3	2	M6x30
2242296	MP-U-I 67-72 M8/10/1/2"	72	115	24x1,5	63	3	2	M6x30
2242297	MP-U-I 72-77 2 1/2" M8/10/1/2"	77	120	24x1,5	66	3	2	M6x30
2242298	MP-U-I 78-84 M8/10/1/2"	84	127	24x1,5	69	3	2	M6x30
2242299	MP-U-I 84-90 3" M8/10/1/2"	90	133	24x1,5	72	3	2	M6x30
2242300	MP-U-I 90-96 M8/10/1/2"	96	139	24x1,5	75	3	2	M6x30
2242301	MP-U-I 97-103 M8/10/1/2"	103	152	24x1,8	79	3	3	M8x35
2242302	MP-U-I 103-109 M8/10/1/2"	109	160	24x1,8	82	3	3	M8x35
2242303	MP-U-I 109-115 4" M8/10/1/2"	115	166	24x1,8	85	3	3	M8x35
2242304	MP-U-I 115-121 M8/10/1/2"	121	172	24x1,8	88	3	3	M8x35
2242305	MP-U-I 122-128 M8/10/1/2"	128	179	24x1,8	92	3	3	M8x35
2242306	MP-U-I 129-135 M8/10/1/2"	135	186	24x1,8	95	3	3	M8x35
2305371	MP-U-I 135-141 5" M8/10/1/2"	141	192	24x1,8	98	3	3	M8x35
2305372	MP-U-I 141-147 M8/10/1/2"	147	201	24x2,0	101	3	3	M8x35
2305373	MP-U-I 147-153 M8/10/1/2"	153	207	24x2,0	104	3	3	M8x35
2305374	MP-U-I 154-160 M8/10/1/2"	160	214	24x2,0	108	3	3	M8x35
2305375	MP-U-I 160-166 6" M8/10/1/2"	166	220	24x2,0	111	3	3	M8x35
2305376	MP-U-I 164-170 M8/10/1/2"	170	224	24x2,0	113	3	3	M8x35

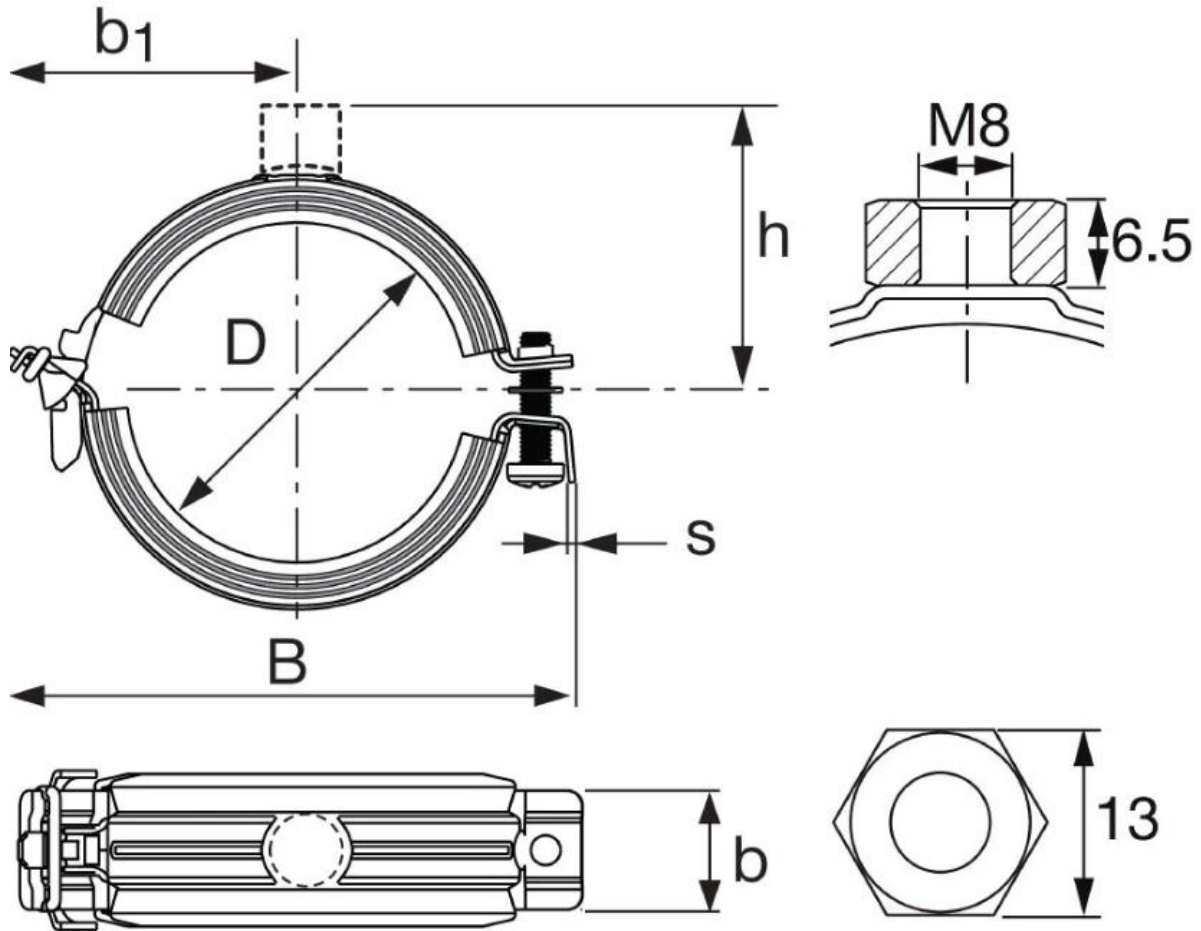
Rohrschellen Hilti Ultimate MP-U, MP-U-I und MP-U-G

Produktbeschreibung  
Abmessungen

Anhang A6



Abbildung A4: Geometrie und Abmessungen der Rohrschellen Hilti Ultimate MP-U-I M8



Abmessungen in mm

Tabelle A7: Werkstoffe der Rohrschellen Hilti Ultimate MP-U-I M8

Komponenten der Rohrschelle	Werkstoffe
Schellenbund	DC01 gemäß EN 10130 für Bänder 1,0 mm DD11 MOD 360 gemäß EN 10111 für Bänder 1,5 mm, 1,8 mm und 2,0 mm
Anschlusskopf	Eigenschaftsklasse $\geq 5$ gemäß ISO 898-2
Spannschraube M5, M6, M8	Festigkeitsklasse $\geq 4,8$ gemäß EN ISO 7045
Flachstück	DC01 gemäß EN 10130 für Flachstück 1,2 mm DD11 MOD 360 gemäß EN 10111 für Flachstück 1,8 mm, 2,0 mm
Unterlegscheibe	HDPE
O-Ring	EPDM / NBR
Elastomereinlage	TPE

Rohrschellen Hilti Ultimate MP-U, MP-U-I und MP-U-G

Produktbeschreibung  
Abmessungen und Werkstoffe

Anhang A7

Tabelle A8: Abmessungen und Anzugsdrehmomente der Rohrschellen MP-U-I M8

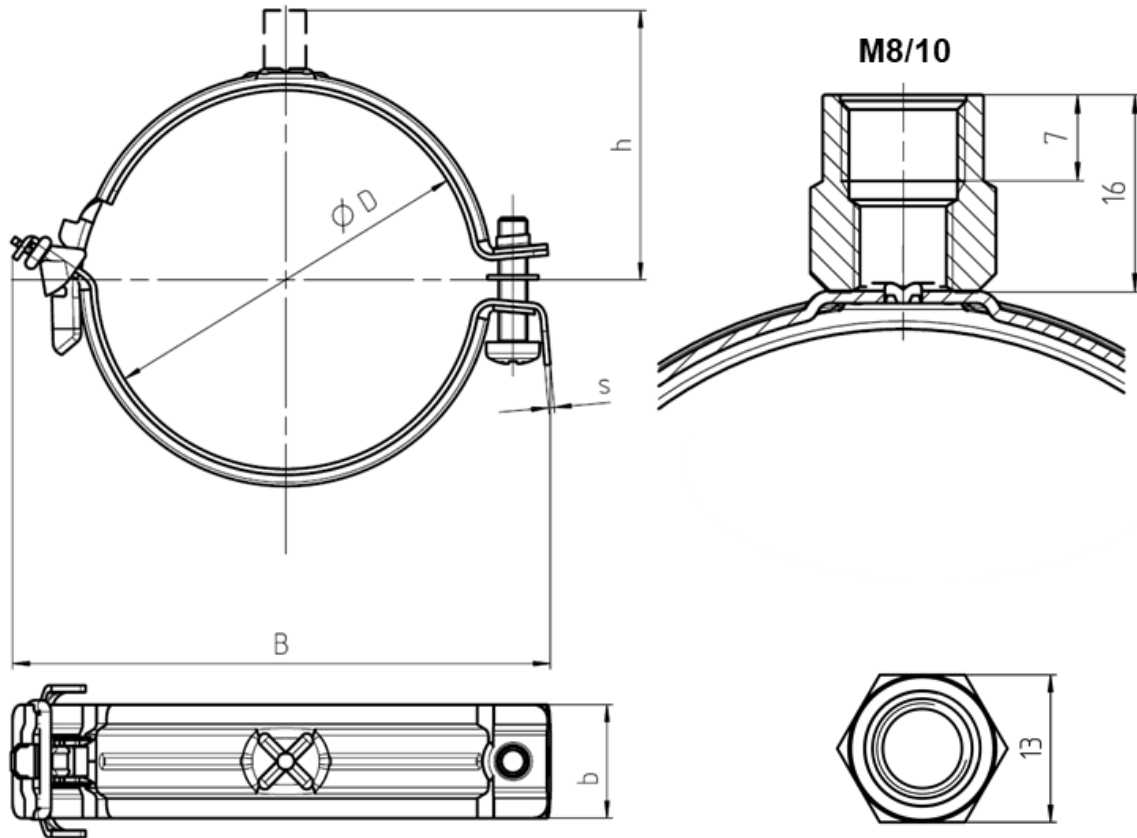
Artikelnummer	Bezeichnung	D [mm]	B [mm]	b x s [mm]	h [mm]	Zahnzahl	Anzugsdrehmoment [Nm]	Schraubengröße
2242237	MP-U-I 9-13 1/8" M8	13	46	20x1,0	18	2	1	M5x18
2242238	MP-U-I 13-17 1/4" M8	17	49	20x1,0	20	2	1	M5x18
2242239	MP-U-I 17-21 3/8" M8	21	53	20x1,0	22	2	1	M5x18
2242250	MP-U-I 21-25 1/2" M8	25	56	20x1,0	24	3	1	M5x22
2242251	MP-U-I 25-29 3/4" M8	29	62	20x1,0	27	3	1	M5x22
2242252	MP-U-I 29-33 M8	33	66	20x1,0	29	3	1	M5x22
2242253	MP-U-I 33-37 1" M8	37	70	20x1,0	31	3	1	M5x22
2242254	MP-U-I 37-42 M8	42	75	20x1,0	33	3	1	M5x22
2242255	MP-U-I 42-47 1 1/4" M8	47	80	20x1,0	36	3	1	M5x22
2242256	MP-U-I 47-52 1 1/2" M8	52	85	20x1,0	38	3	1	M5x22
2242263	MP-U-I 52-57 M8	57	90	20x1,0	41	3	1	M5x22
2242264	MP-U-I 57-62 2" M8	62	95	20x1,0	43	3	1	M5x22

Rohrschellen Hilti Ultimate MP-U, MP-U-I und MP-U-G

Produktbeschreibung  
Abmessungen

Anhang A8

Abbildung A5: Geometrie und Abmessungen der Rohrschellen Hilti Ultimate MP-U M8/10



Abmessungen in mm

Tabelle A9: Werkstoffe der Rohrschellen Hilti Ultimate MP-U M8/10

Komponenten der Rohrschelle	Werkstoffe
Schellenbund	DC01 gemäß EN 10130 für Bänder 1,0 mm DD11 MOD 360 gemäß EN 10111 für Bänder 1,5 mm, 1,8 mm und 2,0 mm
Anschlusskopf	Eigenschaftsklasse $\geq 5$ gemäß ISO 898-2
Spannschraube M5, M6, M8	Festigkeitsklasse $\geq 4.8$ gemäß EN ISO 7045
Flachstück	DC01 gemäß EN 10130 für Flachstücke 1,2 mm DD11 MOD 360 gemäß EN 10111 für Flachstücke 1.8 mm, 2.0 mm
Unterlegscheibe	HDPE
O-Ring	EPDM / NBR

Rohrschellen Hilti Ultimate MP-U, MP-U-I und MP-U-G

Produktbeschreibung  
Abmessungen und Werkstoffe

Anhang A9

Tabelle A10: Abmessungen und Anzugsdrehmomente der Rohrschellen MP-U M8/10

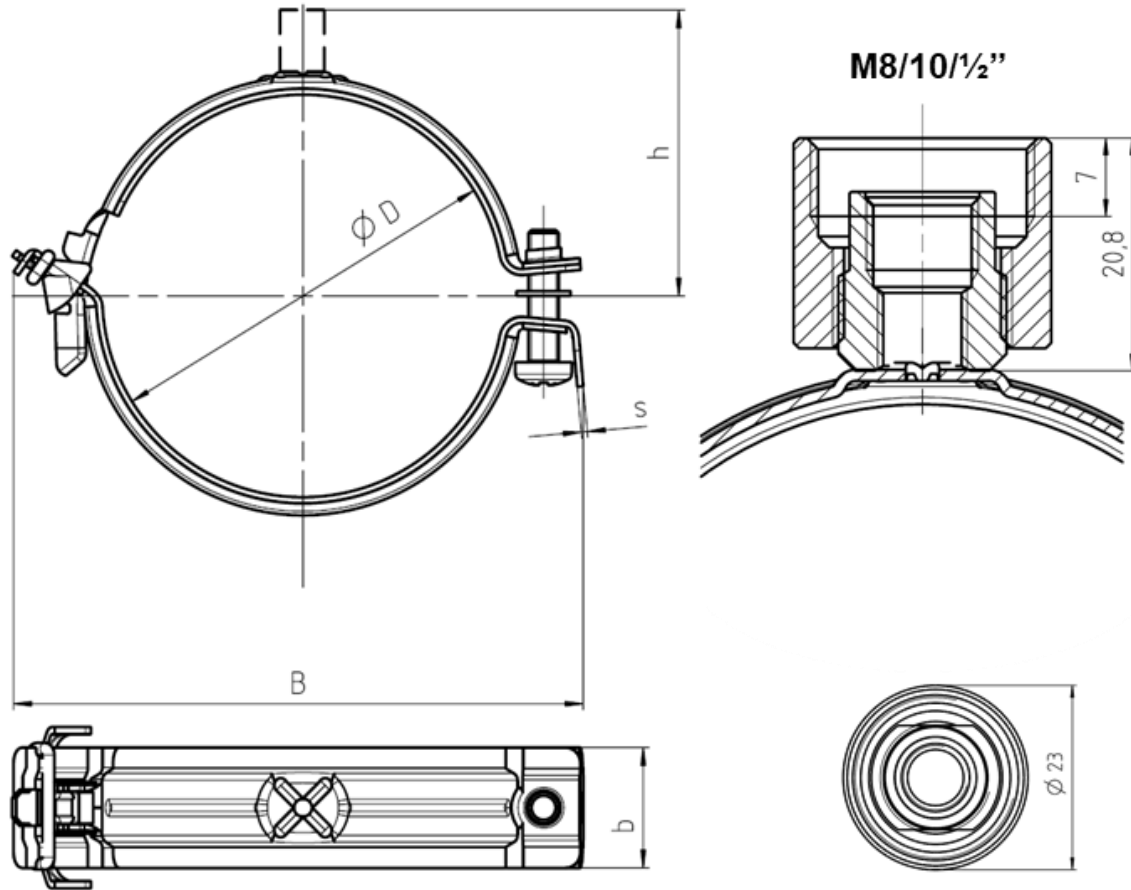
Artikelnummer	Bezeichnung	D [mm]	B [mm]	b x s [mm]	h [mm]	No. teeth	Tightening torque [Nm]	Screw size
2242334	MP-U 13-17 ¼" M8/10	17	46	20x1,0	28	2	1	M5x18
2242335	MP-U 16-20 3/8" M8/10	20	49	20x1,0	29	2	1	M5x18
2242336	MP-U 20-24 ½" M8/10	24	53	20x1,0	31	2	1	M5x18
2242337	MP-U 25-29 ¾" M8/10	29	56	20x1,0	34	2	1	M5x22
2242338	MP-U 30-34 1" M8/10	34	62	20x1,0	36	3	1	M5x22
2242339	MP-U 34-38 M8/10	38	66	20x1,0	38	3	1	M5x22
2242340	MP-U 38-42 M8/10	42	70	20x1,0	40	3	1	M5x22
2242341	MP-U 42-47 1 ¼" M8/10	47	75	20x1,0	43	3	1	M5x22
2242342	MP-U 47-52 1 ½" M8/10	52	80	20x1,0	45	3	1	M5x22
2242343	MP-U 52-57 M8/10	57	85	20x1,0	48	3	1	M5x22
2242344	MP-U 57-62 2" M8/10	62	90	20x1,0	50	3	1	M5x22
2242345	MP-U 62-67 M8/10	67	95	20x1,0	53	3	1	M5x22
2242346	MP-U 67-72 M8/10	72	110	24x1,5	56	3	2	M6x30
2242347	MP-U 72-77 2 ½" M8/10	77	115	24x1,5	58	3	2	M6x30
2242348	MP-U 77-82 M8/10	82	120	24x1,5	61	3	2	M6x30
2242349	MP-U 83-89 3" M8/10	89	127	24x1,5	64	3	2	M6x30
2242350	MP-U 89-95 M8/10	95	133	24x1,5	67	3	2	M6x30
2242351	MP-U 95-101 M8/10	101	139	24x1,5	70	3	2	M6x30
2242352	MP-U 102-108 M8/10	108	152	24x1,8	74	3	3	M8x35
2242353	MP-U 109-115 4" M8/10	115	160	24x1,8	78	3	3	M8x35
2242354	MP-U 115-121 M8/10	121	166	24x1,8	81	3	3	M8x35
2242355	MP-U 121-127 M8/10	127	172	24x1,8	84	3	3	M8x35
2242356	MP-U 128-134 M8/10	134	179	24x1,8	87	3	3	M8x35
2242357	MP-U 135-141 5" M8/10	141	186	24x1,8	91	3	3	M8x35
2305351	MP-U 141-147 M8/10	147	192	24x1,8	94	3	3	M8x35
2305352	MP-U 147-153 M8/10	153	201	24x2,0	97	3	3	M8x35
2305353	MP-U 153-159 M8/10	159	207	24x2,0	100	3	3	M8x35
2305354	MP-U 160-166 6" M8/10	166	214	24x2,0	103	3	3	M8x35
2305355	MP-U 166-172 M8/10	172	220	24x2,0	106	3	3	M8x35
2305356	MP-U 170-176 M8/10	176	224	24x2,0	108	3	3	M8x35

Rohrschellen Hilti Ultimate MP-U, MP-U-I und MP-U-G

Produktbeschreibung  
Abmessungen

Anhang A10

Abbildung A6: Geometry und dimensions of Hilti pipe clamps MP-U M8/10/1/2"



Abmessungen in mm

Tabelle A11: Werkstoffe der Rohrschellen Hilti Ultimate MP-U M8/10/1/2"

Komponenten der	Werkstoffe
Schellenbund	DC01 gemäß EN 10130 für Bänder 1,0 mm DD11 MOD 360 gemäß EN 10111 für Bänder 1,5 mm, 1,8 mm und 2,0 mm
Anschlusskopf	1.0214 gemäß DIN EN 10263-2
Spannschraube M5, M6, M8	Festigkeitsklasse $\geq 4.8$ gemäß EN ISO 7045
Flachstück	DC01 gemäß EN 10130 für Flachstücke 1,2 mm DD11 MOD 360 gemäß EN 10111 für Flachstücke 1.8 mm, 2.0 mm
Unterlegscheibe	HDPE
O-Ring	EPDM / NBR

Rohrschellen Hilti Ultimate MP-U, MP-U-I und MP-U-G

Produktbeschreibung  
Abmessungen und Werkstoffe

Anhang A11

Tabelle A12: Dimensions und tightening torque of Hilti ultimate pipe clamps MP-U M8/10/1/2"

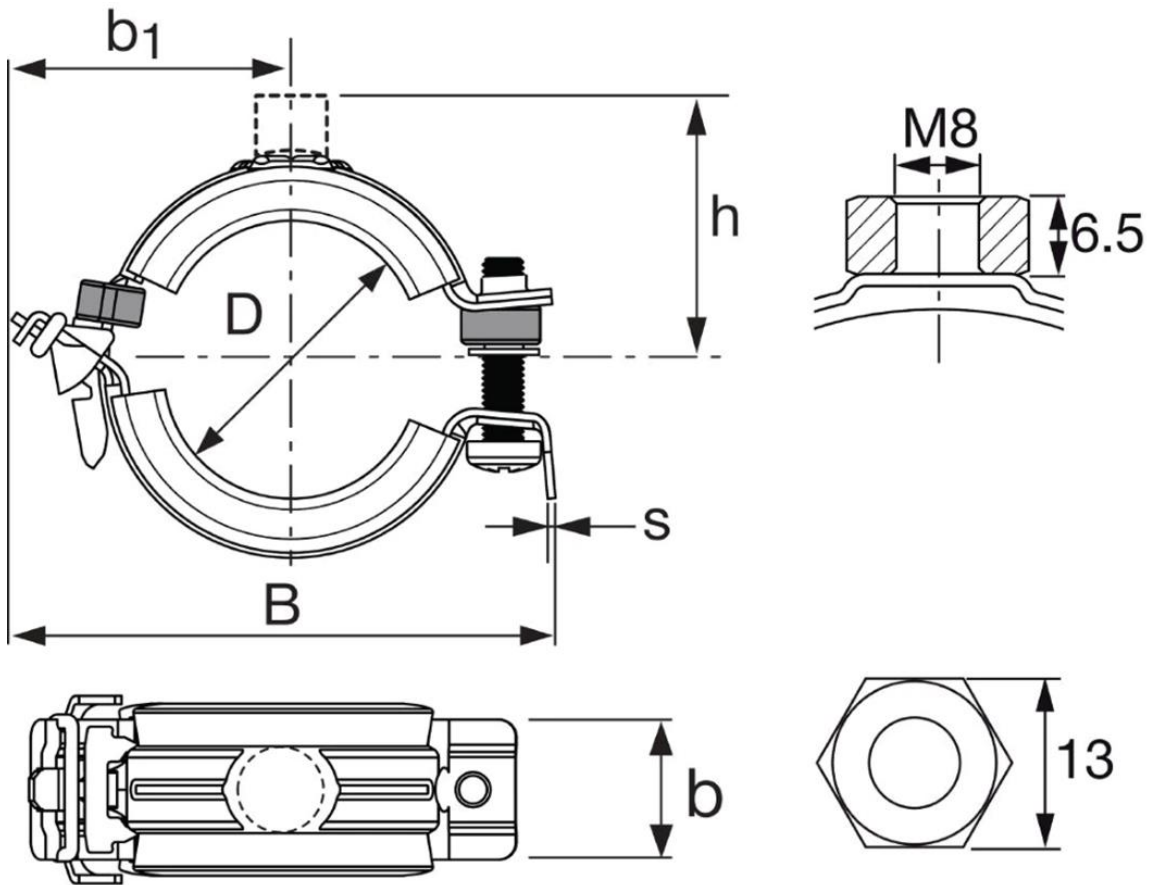
Artikelnummer	Bezeichnung	D [mm]	B [mm]	b x s [mm]	h [mm]	Zahnzahl	Anzugsdrehmoment [Nm]	Schraubengröße
2242359	MP-U 13-17 1/4" M8/10/1/2"	17	46	20x1,0	32	2	1	M5x18
2242360	MP-U 16-20 3/8" M8/10/1/2"	20	49	20x1,0	34	2	1	M5x18
2242361	MP-U 20-24 1/2" M8/10/1/2"	24	53	20x1,0	36	2	1	M5x18
2242362	MP-U 25-29 3/4" M8/10/1/2"	29	56	20x1,0	38	2	1	M5x22
2242363	MP-U 30-34 1" M8/10/1/2"	34	62	20x1,0	41	3	1	M5x22
2242364	MP-U 34-38 M8/10/1/2"	38	66	20x1,0	43	3	1	M5x22
2242365	MP-U 38-42 M8/10/1/2"	42	70	20x1,0	45	3	1	M5x22
2242366	MP-U 42-47 1 1/4" M8/10/1/2"	47	75	20x1,0	47	3	1	M5x22
2242367	MP-U 47-52 1 1/2" M8/10/1/2"	52	80	20x1,0	50	3	1	M5x22
2242368	MP-U 52-57 M8/10/1/2"	57	85	20x1,0	52	3	1	M5x22
2242369	MP-U 57-62 2" M8/10/1/2"	62	90	20x1,0	55	3	1	M5x22
2242370	MP-U 62-67 M8/10/1/2"	67	95	20x1,0	57	3	1	M5x22
2242371	MP-U 67-72 M8/10/1/2"	72	110	24x1,5	61	3	2	M6x30
2242372	MP-U 72-77 2 1/2" M8/10/1/2"	77	115	24x1,5	63	3	2	M6x30
2242373	MP-U 77-82 M8/10/1/2"	82	120	24x1,5	66	3	2	M6x30
2242374	MP-U 83-89 3" M8/10/1/2"	89	127	24x1,5	69	3	2	M6x30
2242375	MP-U 89-95 M8/10/1/2"	95	133	24x1,5	72	3	2	M6x30
2242376	MP-U 95-101 M8/10/1/2"	101	139	24x1,5	75	3	2	M6x30
2242377	MP-U 102-108 M8/10/1/2"	108	152	24x1,8	79	3	3	M8x35
2242378	MP-U 109-115 4" M8/10/1/2"	115	160	24x1,8	82	3	3	M8x35
2242379	MP-U 115-121 M8/10/1/2"	121	166	24x1,8	85	3	3	M8x35
2242380	MP-U 121-127 M8/10/1/2"	127	172	24x1,8	88	3	3	M8x35
2242235	MP-U 128-134 M8/10/1/2"	134	179	24x1,8	92	3	3	M8x35
2242332	MP-U 135-141 5" M8/10/1/2"	141	186	24x1,8	95	3	3	M8x35
2305357	MP-U 141-147 M8/10/1/2"	147	192	24x1,8	98	3	3	M8x35
2305358	MP-U 147-153 M8/10/1/2"	153	201	24x2,0	101	3	3	M8x35
2305359	MP-U 153-159 M8/10/1/2"	159	207	24x2,0	104	3	3	M8x35
2305360	MP-U 160-166 6" M8/10/1/2"	166	214	24x2,0	108	3	3	M8x35
2305361	MP-U 166-172 M8/10/1/2"	172	220	24x2,0	111	3	3	M8x35
2305362	MP-U 170-176 M8/10/1/2"	176	224	24x2,0	113	3	3	M8x35

Rohrschellen Hilti Ultimate MP-U, MP-U-I und MP-U-G

Produktbeschreibung  
Abmessungen

Anhang A12

Abbildung A7: Geometrie und Abmessungen der Rohrschellen Hilti Ultimate MP-U-G M8



Abmessungen in mm

Tabelle A13: Werkstoffe der Rohrschellen Hilti Ultimate MP-U-G M8

Komponenten der Rohrschelle	Werkstoffe
Schellenbund	DC01 gemäß EN 10130 für Bänder 1,0 mm DD11 MOD 360 gemäß EN 10111 für Bänder 1,5 mm, 1,8 mm und 2,0 mm
Anschlusskopf	Eigenschaftsklasse $\geq 5$ gemäß ISO 898-2
Spannschraube M5, M6, M8	Festigkeitsklasse $\geq 4,8$ gemäß EN ISO 7045
Flachstück	DC01 gemäß EN 10130 für Flachstück 1,2 mm DD11 MOD 360 gemäß EN 10111 für Flachstück 1,8 mm, 2,0 mm
Unterlegscheibe	HDPE
O-Ring	EPDM / NBR
Elastomereinlage	TPE
Abstandshalter	PA6-GF30

Rohrschellen Hilti Ultimate MP-U, MP-U-I und MP-U-G

Produktbeschreibung  
Abmessungen und Werkstoffe

Anhang A13

Tabelle A14: Abmessungen und Anzugsdrehmomente der Rohrschellen MP-U-G M8

Artikel-nummer	Bezeichnung	D [mm]	B [mm]	b x s [mm]	h [mm]	Zahn-zahl	Schrauben-größe
2275020	MP-U-G 16 M8	16	53	20x1.0	22	2	M5x18
2275021	MP-U-G 20 M8	20	56	20x1.0	24	3	M5x22
2275022	MP-U-G 25 M8	25	62	20x1.0	27	3	M5x22
2275023	MP-U-G 32 M8	32	70	20x1.0	31	3	M5x22
2275024	MP-U-G 40 M8	40	75	20x1.0	33	3	M5x22
2275025	MP-U-G 50 M8	50	85	20x1.0	38	3	M5x22
2275026	MP-U-G 56 M8	56	95	20x1.0	43	3	M5x22

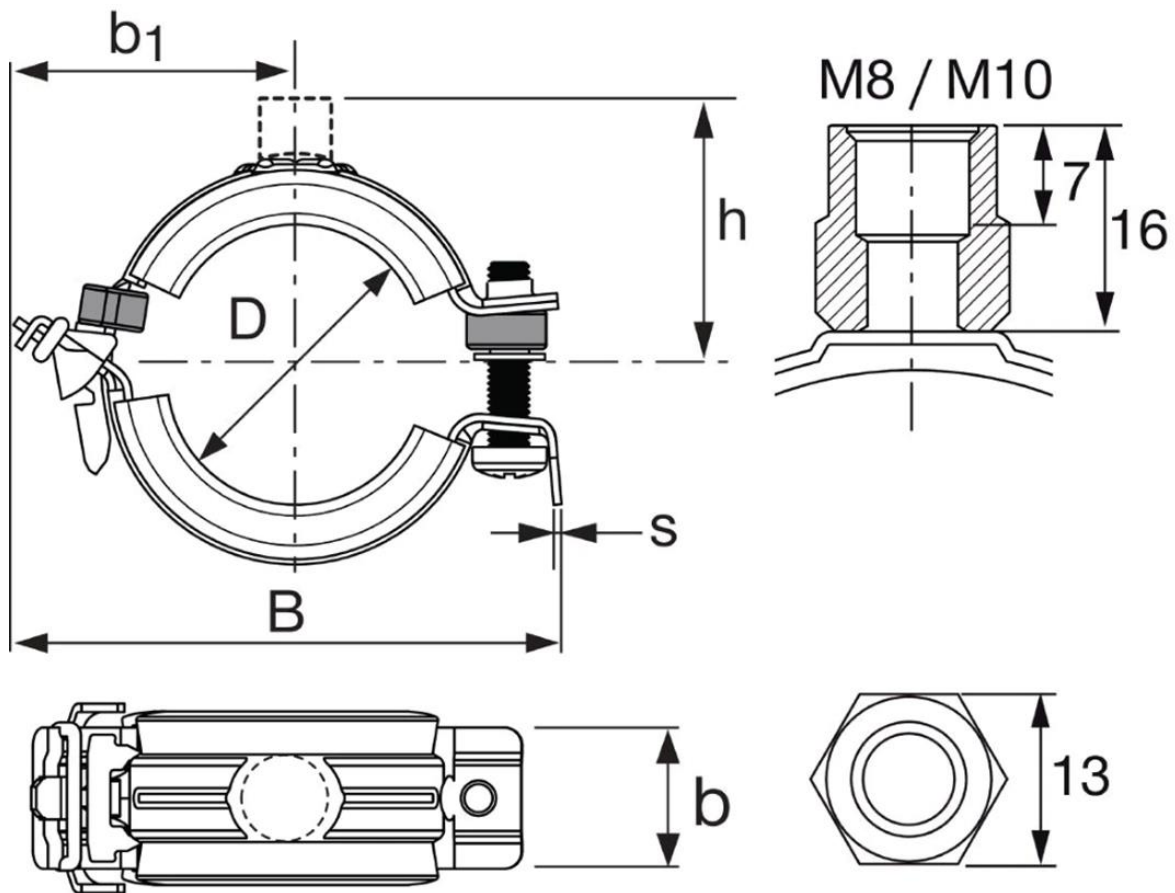
Rohrschellen Hilti Ultimate MP-U, MP-U-I und MP-U-G

Produktbeschreibung  
Abmessungen

Anhang A14



**Geometrie und Abmessungen der Rohrschellen Hilti Ultimate MP-U-G M8/10**



Abmessungen in mm

**Tabelle A15: Werkstoffe der Rohrschellen Hilti Ultimate MP-U-G M8/10**

Komponenten der Rohrschelle	Werkstoffe
Schellenbund	DC01 gemäß EN 10130 für Bänder 1,0 mm DD11 MOD 360 gemäß EN 10111 für Bänder 1,5 mm, 1,8 mm und 2,0 mm
Anschlusskopf	Eigenschaftsklasse $\geq 5$ gemäß ISO 898-2
Spannschraube M5, M6, M8	Festigkeitsklasse $\geq 4,8$ gemäß EN ISO 7045
Flachstück	DC01 gemäß EN 10130 für Flachstück 1,2 mm DD11 MOD 360 gemäß EN 10111 für Flachstück 1,8 mm, 2,0 mm
Unterlegscheibe	HDPE
O-Ring	EPDM / NBR
Elastomereinlage	EPDM
Abstandshalter	PA6-GF30

**Rohrschellen Hilti Ultimate MP-U, MP-U-I und MP-U-G**

**Produktbeschreibung**  
Abmessungen und Werkstoffe

**Anhang A15**

Tabelle A16: Abmessungen und Anzugsdrehmomente der Rohrschellen MP-U-G M8/10

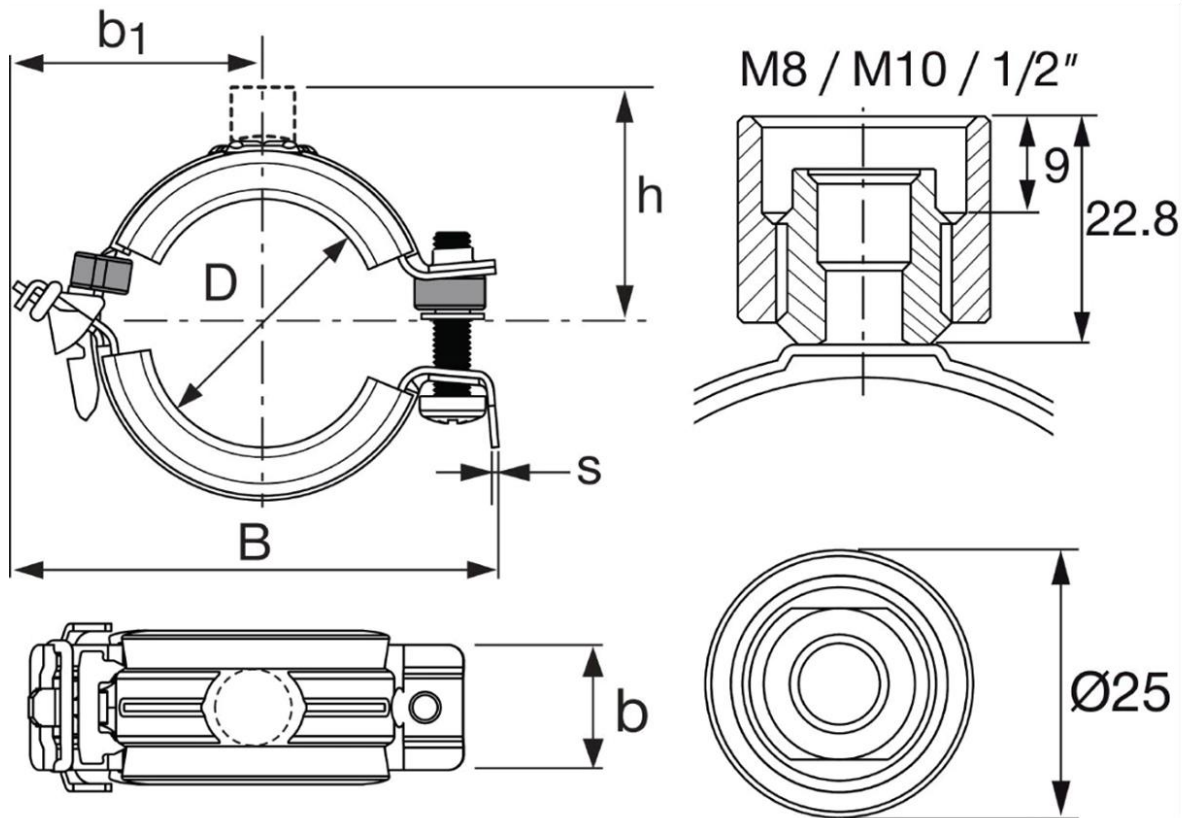
Artikelnummer	Bezeichnung	D [mm]	B [mm]	b x s [mm]	h [mm]	Zahn-zahl	Schrauben-größe
2275028	MP-U-G 16 M8/10	16	53	20x1.0	31	2	M5x18
2275029	MP-U-G 20 M8/10	20	56	20x1.0	34	3	M5x22
2275030	MP-U-G 25 M8/10	25	62	20x1.0	36	3	M5x22
2275031	MP-U-G 32 M8/10	32	70	20x1.0	40	3	M5x22
2275032	MP-U-G 40 M8/10	40	75	20x1.0	43	3	M5x22
2275033	MP-U-G 50 M8/10	50	85	20x1.0	48	3	M5x22
2275034	MP-U-G 56 M8/10	56	95	20x1.0	53	3	M5x22
2275035	MP-U-G 63 M8/10	63	115	24x1.5	58	3	M6x30
2275036	MP-U-G 75 M8/10	75	127	24x1.5	64	3	M6x30
2275037	MP-U-G 90 M8/10	90	152	24x1.8	74	3	M8x35
2275038	MP-U-G 110 M8/10	110	172	24x1.8	84	3	M8x35
2275039	MP-U-G 125 M8/10	125	186	24x1.8	91	3	M8x35
2275040	MP-U-G 135 M8/10	135	201	24x2.0	97	3	M8x35
2275041	MP-U-G 160 M8/10	160	224	24x2.0	108	3	M8x35

Rohrschellen Hilti Ultimate MP-U, MP-U-I und MP-U-G

Produktbeschreibung  
Abmessungen

Anhang A16

Abbildung A8: Geometrie und Abmessungen der Rohrschellen Hilti Ultimate MP-U-G M8/10/1/2"



Abmessungen in mm

Tabelle A17: Werkstoffe der Rohrschellen Hilti Ultimate M8/10/1/2"

Komponenten der Rohrschelle	Werkstoffe
Schellenbund	DC01 gemäß EN 10130 für Bänder 1,0 mm DD11 MOD 360 gemäß EN 10111 für Bänder 1,5 mm, 1,8 mm und 2,0 mm
Anschlusskopf	Eigenschaftsklasse $\geq 5$ gemäß ISO 898-2
Spannschraube M5, M6, M8	Festigkeitsklasse $\geq 4,8$ gemäß EN ISO 7045
Flachstück	DC01 gemäß EN 10130 für Flachstück 1,2 mm DD11 MOD 360 gemäß EN 10111 für Flachstück 1,8 mm, 2,0 mm
Unterlegscheibe	HDPE
O-Ring	EPDM / NBR
Elastomereinlage	EPDM
Abstandshalter	PA6-GF30

Rohrschellen Hilti Ultimate MP-U, MP-U-I und MP-U-G

Produktbeschreibung  
Abmessungen und Werkstoffe

Anhang A17

Tabelle A18: Abmessungen und Anzugsdrehmomente der Rohrschellen MP-U-G M8/10

Artikelnummer	Bezeichnung	D [mm]	B [mm]	b x s [mm]	h [mm]	Zahn-zahl	Schrauben-größe
2275042	MP-U-G 50 M8/10/1/2"	50	85	20x1.0	54	3	M5x22
2275043	MP-U-G 56 M8/10/1/2"	56	95	20x1.0	59	3	M5x22
2275044	MP-U-G 63 M8/10/1/2"	63	115	24x1.5	65	3	M6x30
2275045	MP-U-G 75 M8/10/1/2"	75	127	24x1.5	71	3	M6x30
2275046	MP-U-G 90 M8/10/1/2"	90	152	24x1.8	81	3	M8x35
2275047	MP-U-G 110 M8/10/1/2"	110	172	24x1.8	90	3	M8x35
2275048	MP-U-G 125 M8/10/1/2"	125	186	24x1.8	97	3	M8x35
2275049	MP-U-G 135 M8/10/1/2"	135	201	24x2.0	103	3	M8x35
2274899	MP-U-G 160 M8/10/1/2"	160	224	24x2.0	115	3	M8x35

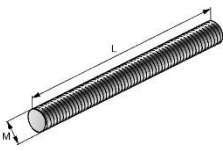
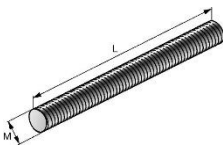
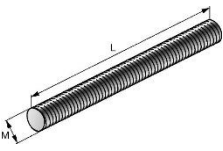
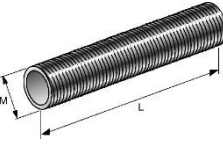
Rohrschellen Hilti Ultimate MP-U, MP-U-I und MP-U-G

Produktbeschreibung  
Abmessungen

Anhang A18

- Die Rohrschellen Hilti Ultimate MP-U, MP-U-I und MP-U-G dienen der Lastabtragung von Bauteilen der technischen Gebäudeausrüstung wie Leitungen und Ausrüstungen für Sprinkler-, Wasser-, Heizungs-, Kühl-, Lüftungs-, Elektro- und sonstige Installationen. Die Rohrschellen sind unter den in Abschnitt 2 dieser Europäischen Technischen Bewertung beschriebenen Bedingungen zur Erfüllung dieser lasttragenden Funktion geeignet.
- Die Angaben zu Widerständen und Verformungen unter Brundbeanspruchung beziehen sich auf die Rundbedingungen der Einheitstemperaturkurve (ETK) gemäß EN 1363-1.
- Die Leistungsdaten der Rohrschellen ergeben sich in Verbindung mit den Gewindestangen gemäß Tabelle B1.
- Der Einbau der Rohrschellen muss durch entsprechend geschultes Personal unter Aufsicht des Bauleiters erfolgen. Es gelten die allgemeinen Montagehinweise des Herstellers.
- Die Angaben zu Widerständen und Verformungen bei Raumtemperatur und unter Brundbeanspruchung gelten für statische und zentrische Einwirkungen.
- Die Schraube der Rohrschellen muss gemäß den Anweisungen in der Gebrauchsanleitung systematisch mit einem Anzugsdrehmoment von 1 bis 3 Nm angezogen werden.
- Vor dem Einbau muss sichergestellt sein, dass das aufzunehmende Rohr, die Verankerung der Gewindestangen im Untergrund sowie der Untergrund selbst geeignet sind, die ausgewiesenen Widerstandswerte der Rohrschellen aufzunehmen und über einen brandschutztechnischen Nachweis verfügen.

**Tabelle B1: Gewindestangen für die Verwendung mit den Rohrschellen Hilti Ultimate MP-U, MP-U-I und MP-U-G**

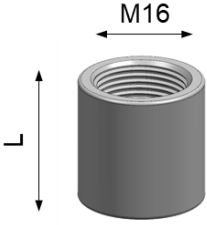
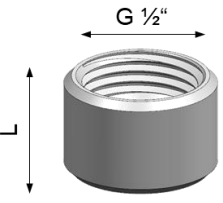
Abbildung	Artikelnummer	Bezeichnung	Gewinde	L [mm]	Werkstoff
	216415	AM8x1000 4.8	M8	3000	Festigkeitsklasse 4.8 gemäß DIN 976-1, verzinkt
	339794	AM8x2000 4.8	M8	2000	
	339793	AM8x3000 4.8	M8	1000	
	216418	AM10x3000 4.8	M10	3000	
	339796	AM10x2000 4.8	M10	2000	
	339795	AM10x1000 4.8	M10	1000	
	216424	AM16x3000 4.8	M16	3000	
	216423	AM16x2000 4.8	M16	2000	
	216422	AM16x1000 4.8	M16	1000	
	56428	GR-G 1/2" – 2m	G 1/2"	2000	Festigkeitsklasse 4.6, verzinkt

**Rohrschellen Hilti Ultimate MP-U, MP-U-I und MP-U-G**

**Voraussetzungen für die Leistungsbewertung**

**Anhang B1**

**Tabelle B2: Gewindeanschlüsse zur Verwendung mit Rohrschellen Hilti Ultimate Pipe clamps MP-U, MP-U-I und MP-U-G M8/10/O16**

Illustration	Artikelnummer	Bezeichnung	Thread	L [mm]	Material
	2244772	MP-GA M16	M16	21	Eigenschaftsklasse $\geq 5$ gemäß ISO 898-2
	2244773	MP-GA 1/2"	G 1/2"	18.8	

Rohrschellen Hilti Ultimate MP-U, MP-U-I und MP-U-G

Voraussetzungen für die Leistungsbewertung

Anhang B2

**Tabelle C1: Charakteristischer Widerstand bei Zugbeanspruchung bei Raumtemperatur für MP-U-I M8/10**

Artikelnummer	Bezeichnung	Charakteristischer Widerstand bei Zugbeanspruchung $F_{Rk}$ [N]	Teilsicherheitsbeiwert <sup>1)</sup> $\gamma_m$ [-]
2242258	MP-U-I 9-13 1/8" M8/10	1476	1,85
2242259	MP-U-I 13-17 1/4" M8/10		
2242260	MP-U-I 17-21 3/8" M8/10		
2242261	MP-U-I 21-25 1/2" M8/10		
2242262	MP-U-I 25-29 3/4" M8/10		
2242263	MP-U-I 29-33 M8/10		
2242264	MP-U-I 33-37 1" M8/10		
2242265	MP-U-I 37-42 M8/10	2196	2,75
2242266	MP-U-I 42-47 1 1/4" M8/10		
2242267	MP-U-I 47-52 1 1/2" M8/10		
2242268	MP-U-I 52-57 M8/10		
2242269	MP-U-I 57-62 2" M8/10		
2242270	MP-U-I 62-67 M8/10	4423	3,16
2242271	MP-U-I 67-72 M8/10		
2242272	MP-U-I 72-77 2 1/2" M8/10		
2242273	MP-U-I 78-84 M8/10		
2242274	MP-U-I 84-90 3" M8/10		
2242275	MP-U-I 90-96 M8/10		
2242276	MP-U-I 97-103 M8/10	4038	2,24
2242277	MP-U-I 103-109 M8/10		
2242278	MP-U-I 109-115 4" M8/10		
2242279	MP-U-I 115-121 M8/10		
2242280	MP-U-I 122-128 M8/10		
2242281	MP-U-I 129-135 M8/10	5061	2,11
2305365	MP-U-I 135-141 5" M8/10		
2305366	MP-U-I 141-147 M8/10		
2305367	MP-U-I 147-153 M8/10		
2305368	MP-U-I 154-160 M8/10		
2305369	MP-U-I 160-166 6" M8/10		
2305370	MP-U-I 164-170 M8/10		

<sup>1)</sup> Sofern keine anderen nationalen Regelungen vorliegen

**Rohrschellen Hilti Ultimate MP-U, MP-U-I und MP-U-G**

**Charakteristischer Widerstand bei Zugbeanspruchung bei Raumtemperatur**

**Anhang C1**

Tabelle C2: Nutzlast und Verformung bei Raumtemperatur für MP-U-I M8/10

Artikelnummer	Bezeichnung	Nutzlast F <sub>SLs</sub> [N]	Zugehörige Verformung [mm]
2242258	MP-U-I 9-13 1/8" M8/10	879	1,50
2242259	MP-U-I 13-17 1/4" M8/10		
2242260	MP-U-I 17-21 3/8" M8/10		
2242261	MP-U-I 21-25 1/2" M8/10		
2242262	MP-U-I 25-29 3/4" M8/10		
2242263	MP-U-I 29-33 M8/10		
2242264	MP-U-I 33-37 1" M8/10		
2242265	MP-U-I 37-42 M8/10	1053	1,50
2242266	MP-U-I 42-47 1 1/4" M8/10		
2242267	MP-U-I 47-52 1 1/2" M8/10		
2242268	MP-U-I 52-57 M8/10		
2242269	MP-U-I 57-62 2" M8/10		
2242270	MP-U-I 62-67 M8/10	1762	1,50
2242271	MP-U-I 67-72 M8/10		
2242272	MP-U-I 72-77 2 1/2" M8/10		
2242273	MP-U-I 78-84 M8/10		
2242274	MP-U-I 84-90 3" M8/10		
2242275	MP-U-I 90-96 M8/10		
2242276	MP-U-I 97-103 M8/10	2072	2,06
2242277	MP-U-I 103-109 M8/10		
2242278	MP-U-I 109-115 4" M8/10		
2242279	MP-U-I 115-121 M8/10		
2242280	MP-U-I 122-128 M8/10		
2242281	MP-U-I 129-135 M8/10	2449	3,68
2305365	MP-U-I 135-141 5" M8/10		
2305366	MP-U-I 141-147 M8/10		
2305367	MP-U-I 147-153 M8/10		
2305368	MP-U-I 154-160 M8/10		
2305369	MP-U-I 160-166 6" M8/10		
2305370	MP-U-I 164-170 M8/10		

Rohrschellen Hilti Ultimate MP-U, MP-U-I und MP-U-G

Nutzlast und Verformung bei Raumtemperatur

Anhang C2



**Tabelle C3: Charakteristischer Widerstand bei Zugbeanspruchung bei Raumtemperatur für MP-U-I M8/10/O16**

Artikelnummer	Bezeichnung	Charakteristischer Widerstand bei Zugbeanspruchung $F_{Rk}$ [N]	Teilsicherheitsbeiwert <sup>1)</sup> $\gamma_m$ [-]
2242308	MP-U-I 9-13 1/8" M8/10/O16	1476	1,85
2242309	MP-U-I 13-17 1/4" M8/10/O16		
2242310	MP-U-I 17-21 3/8" M8/10/O16		
2242311	MP-U-I 21-25 1/2" M8/10/O16		
2242312	MP-U-I 25-29 3/4" M8/10/O16		
2242313	MP-U-I 29-33 M8/10/O16		
2242314	MP-U-I 33-37 1" M8/10/O16		
2242315	MP-U-I 37-42 M8/10/O16	2196	2,75
2242316	MP-U-I 42-47 1 1/4" M8/10/O16		
2242317	MP-U-I 47-52 1 1/2" M8/10/O16		
2242318	MP-U-I 52-57 M8/10/O16		
2242319	MP-U-I 57-62 2" M8/10/O16		
2242320	MP-U-I 62-67 M8/10/O16	4423	3,16
2242321	MP-U-I 67-72 M8/10/O16		
2242322	MP-U-I 72-77 2 1/2" M8/10/O16		
2242323	MP-U-I 78-84 M8/10/O16		
2242324	MP-U-I 84-90 3" M8/10/O16		
2242325	MP-U-I 90-96 M8/10/O16		
2242326	MP-U-I 97-103 M8/10/O16		
2242327	MP-U-I 103-109 M8/10/O16		
2242328	MP-U-I 109-115 4" M8/10/O16		
2242329	MP-U-I 115-121 M8/10/O16		
2242330	MP-U-I 122-128 M8/10/O16		
2242331	MP-U-I 129-135 M8/10/O16		
2305377	MP-U-I 135-141 5" M8/10/O16	5061	2,11
2305378	MP-U-I 141-147 M8/10/O16		
2305379	MP-U-I 147-153 M8/10/O16		
2305380	MP-U-I 154-160 M8/10/O16		
2305381	MP-U-I 160-166 6" M8/10/O16		
2305382	MP-U-I 164-170 M8/10/O16		

1) Sofern keine anderen nationalen Regelungen vorliegen

**Rohrschellen Hilti Ultimate MP-U, MP-U-I und MP-U-G**

**Charakteristischer Widerstand bei Zugbeanspruchung bei Raumtemperatur**

**Anhang C3**

Tabelle C4: Nutzlast und Verformung bei Raumtemperatur für MP-U-I M8/10/O16

Artikelnummer	Bezeichnung	Nutzlast F <sub>SLs</sub> [N]	Zugehörige Verformung [mm]
2242308	MP-U-I 9-13 1/8" M8/10/O16	879	1,50
2242309	MP-U-I 13-17 1/4" M8/10/O16		
2242310	MP-U-I 17-21 3/8" M8/10/O16		
2242311	MP-U-I 21-25 1/2" M8/10/O16		
2242312	MP-U-I 25-29 3/4" M8/10/O16		
2242313	MP-U-I 29-33 M8/10/O16		
2242314	MP-U-I 33-37 1" M8/10/O16		
2242315	MP-U-I 37-42 M8/10/O16	1053	1,50
2242316	MP-U-I 42-47 1 1/4" M8/10/O16		
2242317	MP-U-I 47-52 1 1/2" M8/10/O16		
2242318	MP-U-I 52-57 M8/10/O16		
2242319	MP-U-I 57-62 2" M8/10/O16		
2242320	MP-U-I 62-67 M8/10/O16	1762	1,50
2242321	MP-U-I 67-72 M8/10/O16		
2242322	MP-U-I 72-77 2 1/2" M8/10/O16		
2242323	MP-U-I 78-84 M8/10/O16		
2242324	MP-U-I 84-90 3" M8/10/O16		
2242325	MP-U-I 90-96 M8/10/O16		
2242326	MP-U-I 97-103 M8/10/O16	2072	2,06
2242327	MP-U-I 103-109 M8/10/O16		
2242328	MP-U-I 109-115 4" M8/10/O16		
2242329	MP-U-I 115-121 M8/10/O16		
2242330	MP-U-I 122-128 M8/10/O16		
2242331	MP-U-I 129-135 M8/10/O16		
2305377	MP-U-I 135-141 5" M8/10/O16	2449	3,68
2305378	MP-U-I 141-147 M8/10/O16		
2305379	MP-U-I 147-153 M8/10/O16		
2305380	MP-U-I 154-160 M8/10/O16		
2305381	MP-U-I 160-166 6" M8/10/O16		
2305382	MP-U-I 164-170 M8/10/O16		

Rohrschellen Hilti Ultimate MP-U, MP-U-I und MP-U-G

Nutzlast und Verformung bei Raumtemperatur

Anhang C4

**Tabelle C5: Charakteristischer Widerstand bei Zugbeanspruchung bei Raumtemperatur für MP-U-I M8/10/1/2"**

Artikelnummer	Bezeichnung	Charakteristischer Widerstand bei Zugbeanspruchung $F_{Rk}$ [N]	Teilsicherheitsbeiwert <sup>1)</sup> $\gamma_m$ [-]
2242283	MP-U-I 9-13 1/8" M8/10/1/2"	1476	1,85
2242284	MP-U-I 13-17 1/4" M8/10/1/2"		
2242285	MP-U-I 17-21 3/8" M8/10/1/2"		
2242286	MP-U-I 21-25 1/2" M8/10/1/2"		
2242287	MP-U-I 25-29 3/4" M8/10/1/2"		
2242288	MP-U-I 29-33 M8/10/1/2"		
2242289	MP-U-I 33-37 1" M8/10/1/2"		
2242290	MP-U-I 37-42 M8/10/1/2"	2196	2,75
2242291	MP-U-I 42-47 1 1/4" M8/10/1/2"		
2242292	MP-U-I 47-52 1 1/2" M8/10/1/2"		
2242293	MP-U-I 52-57 M8/10/1/2"		
2242294	MP-U-I 57-62 2" M8/10/1/2"		
2242295	MP-U-I 62-67 M8/10/1/2"	4423	3,16
2242296	MP-U-I 67-72 M8/10/1/2"		
2242297	MP-U-I 72-77 2 1/2" M8/10/1/2"		
2242298	MP-U-I 78-84 M8/10/1/2"		
2242299	MP-U-I 84-90 3" M8/10/1/2"		
2242300	MP-U-I 90-96 M8/10/1/2"		
2242301	MP-U-I 97-103 M8/10/1/2"	4038	2,24
2242302	MP-U-I 103-109 M8/10/1/2"		
2242303	MP-U-I 109-115 4" M8/10/1/2"		
2242304	MP-U-I 115-121 M8/10/1/2"		
2242305	MP-U-I 122-128 M8/10/1/2"		
2242306	MP-U-I 129-135 M8/10/1/2"		
2305371	MP-U-I 135-141 5" M8/10/1/2"	5061	2,11
2305372	MP-U-I 141-147 M8/10/1/2"		
2305373	MP-U-I 147-153 M8/10/1/2"		
2305374	MP-U-I 154-160 M8/10/1/2"		
2305375	MP-U-I 160-166 6" M8/10/1/2"		
2305376	MP-U-I 164-170 M8/10/1/2"		

1) Sofern keine anderen nationalen Regelungen vorliegen

**Rohrschellen Hilti Ultimate MP-U, MP-U-I und MP-U-G**

**Charakteristischer Widerstand bei Zugbeanspruchung bei Raumtemperatur**

**Anhang C5**

Tabelle C6: Nutzlast und Verformung bei Raumtemperatur für MP-U-I M8/10/1/2"

Artikelnummer	Bezeichnung	Nutzlast F <sub>SLs</sub> [N]	Zugehörige Verformung [mm]
2242283	MP-U-I 9-13 1/8" M8/10/1/2"	879	1,50
2242284	MP-U-I 13-17 1/4" M8/10/1/2"		
2242285	MP-U-I 17-21 3/8" M8/10/1/2"		
2242286	MP-U-I 21-25 1/2" M8/10/1/2"		
2242287	MP-U-I 25-29 3/4" M8/10/1/2"		
2242288	MP-U-I 29-33 M8/10/1/2"		
2242289	MP-U-I 33-37 1" M8/10/1/2"		
2242290	MP-U-I 37-42 M8/10/1/2"	1053	1,50
2242291	MP-U-I 42-47 1 1/4" M8/10/1/2"		
2242292	MP-U-I 47-52 1 1/2" M8/10/1/2"		
2242293	MP-U-I 52-57 M8/10/1/2"		
2242294	MP-U-I 57-62 2" M8/10/1/2"		
2242295	MP-U-I 62-67 M8/10/1/2"	1762	1,50
2242296	MP-U-I 67-72 M8/10/1/2"		
2242297	MP-U-I 72-77 2 1/2" M8/10/1/2"		
2242298	MP-U-I 78-84 M8/10/1/2"		
2242299	MP-U-I 84-90 3" M8/10/1/2"		
2242300	MP-U-I 90-96 M8/10/1/2"	2072	2,06
2242301	MP-U-I 97-103 M8/10/1/2"		
2242302	MP-U-I 103-109 M8/10/1/2"		
2242303	MP-U-I 109-115 4" M8/10/1/2"		
2242304	MP-U-I 115-121 M8/10/1/2"		
2242305	MP-U-I 122-128 M8/10/1/2"		
2242306	MP-U-I 129-135 M8/10/1/2"	2449	3,68
2305371	MP-U-I 135-141 5" M8/10/1/2"		
2305372	MP-U-I 141-147 M8/10/1/2"		
2305373	MP-U-I 147-153 M8/10/1/2"		
2305374	MP-U-I 154-160 M8/10/1/2"		
2305375	MP-U-I 160-166 6" M8/10/1/2"		
2305376	MP-U-I 164-170 M8/10/1/2"		

Rohrschellen Hilti Ultimate MP-U, MP-U-I und MP-U-G

Nutzlast und Verformung bei Raumtemperatur

Anhang C6

**Tabelle C7: Charakteristischer Widerstand bei Zugbeanspruchung bei Raumtemperatur für MP-U-I M8**

Artikelnummer	Bezeichnung	Charakteristischer Widerstand bei Zugbeanspruchung $F_{Rk}$ [N]	Teilsicherheitsbeiwert <sup>1)</sup> $\gamma_m$ [-]
2242237	MP-U-I 9-13 1,8" M8	1476	1,85
2242238	MP-U-I 13-17 1/4" M8		
2242239	MP-U-I 17-21 3/8 M8		
2242250	MP-U-I 21-25 1/2" M8		
2242251	MP-U-I 25-29 3/4" M8		
2242252	MP-U-I 29-33 M8		
2242253	MP-U-I 33-37 1" M8		
2242254	MP-U-I 37-42 M8	2924	3,66
2242255	MP-U-I 42-47 1 1/4" M8		
2242256	MP-U-I 47-52 1 1/2" M8		
2305363	MP-U-I 52-57 M8		
2305364	MP-U-I 57-62 2" M8		

<sup>1)</sup> Sofern keine anderen nationalen Regelungen vorliegen

**Rohrschellen Hilti Ultimate MP-U, MP-U-I und MP-U-G**

**Charakteristischer Widerstand bei Zugbeanspruchung bei Raumtemperatur**

**Anhang C7**

Tabelle C8: Nutzlast und Verformung bei Raumtemperatur für MP-U-I M8

Artikel-nummer	Bezeichnung	Nutzlast F <sub>SLS</sub> [N]	Zugehörige Verformung [mm]
2242237	MP-U-I 9-13 1,8" M8	943	1,50
2242238	MP-U-I 13-17 1/4" M8		
2242239	MP-U-I 17-21 3/8 M8		
2242250	MP-U-I 21-25 1/2" M8		
2242251	MP-U-I 25-29 3/4" M8		
2242252	MP-U-I 29-33 M8		
2242253	MP-U-I 33-37 1" M8		
2242254	MP-U-I 37-42 M8	946	1,50
2242255	MP-U-I 42-47 1 1/4" M8		
2242256	MP-U-I 47-52 1 1/2" M8		
2305363	MP-U-I 52-57 M8		
2305364	MP-U-I 57-62 2" M8		

Rohrschellen Hilti Ultimate MP-U, MP-U-I und MP-U-G

Nutzlast und Verformung bei Raumtemperatur

Anhang C8

**Tabelle C9: Charakteristischer Widerstand bei Zugbeanspruchung bei Raumtemperatur für MP-U M8/10**

Artikelnummer	Bezeichnung	Charakteristischer Widerstand bei Zugbeanspruchung $F_{Rk}$ [N]	Teilsicherheitsbeiwert <sup>1)</sup> $\gamma_m$ [-]
2242334	MP-U 13-17 ¼" M8/10	800	1,85
2242335	MP-U 16-20 3/8" M8/10		
2242336	MP-U 20-24 ½" M8/10		
2242337	MP-U 25-29 ¾" M8/10		
2242338	MP-U 30-34 M8/10		
2242339	MP-U 34-38 1" M8/10		
2242340	MP-U 38-42 M8/10		
2242341	MP-U 42-47 1 ¼" M8/10	800	2,75
2242342	MP-U 47-52 1 ½" M8/10		
2242343	MP-U 52-57 M8/10		
2242344	MP-U 57-62 2" M8/10		
2242345	MP-U 62-67 M8/10		
2242346	MP-U 67-72 M8/10	1400	3,16
2242347	MP-U 72-77 2 ½" M8/10		
2242348	MP-U 77-82 M8/10		
2242349	MP-U 83-89 3" M8/10		
2242350	MP-U 89-95 M8/10		
2242351	MP-U 95-101 M8/10		
2242352	MP-U 102-108 M8/10	1800	2,24
2242353	MP-U 109-115 4" M8/10		
2242354	MP-U 115-121 M8/10		
2242355	MP-U 121-127 M8/10		
2242356	MP-U 128-134 M8/10		
2242357	MP-U 135-141 5" M8/10		
2305351	MP-U 141-147 M8/10	2400	2,11
2305352	MP-U 147-153 M8/10		
2305353	MP-U 153-159 M8/10		
2305354	MP-U 160-166 6" M8/10		
2305355	MP-U 166-172 M8/10		
2305356	MP-U 170-176 M8/10		

1) Sofern keine anderen nationalen Regelungen vorliegen

**Rohrschellen Hilti Ultimate MP-U, MP-U-I und MP-U-G**

**Charakteristischer Widerstand bei Zugbeanspruchung bei Raumtemperatur**

**Anhang C9**

Tabelle C10: Nutzlast und Verformung bei Raumtemperatur für MP-U M8/10

Artikelnummer	Bezeichnung	Nutzlast F <sub>SLs</sub> [N]	Zugehörige Verformung [mm]
2242334	MP-U 13-17 ¼" M8/10	879	1,50
2242335	MP-U 16-20 3/8" M8/10		
2242336	MP-U 20-24 ½" M8/10		
2242337	MP-U 25-29 ¾" M8/10		
2242338	MP-U 30-34 M8/10		
2242339	MP-U 34-38 1" M8/10		
2242340	MP-U 38-42 M8/10		
2242341	MP-U 42-47 1 ¼" M8/10	1053	1,50
2242342	MP-U 47-52 1 ½" M8/10		
2242343	MP-U 52-57 M8/10		
2242344	MP-U 57-62 2" M8/10		
2242345	MP-U 62-67 M8/10		
2242346	MP-U 67-72 M8/10		
2242347	MP-U 72-77 2 ½" M8/10	1762	1,50
2242348	MP-U 77-82 M8/10		
2242349	MP-U 83-89 3" M8/10		
2242350	MP-U 89-95 M8/10		
2242351	MP-U 95-101 M8/10		
2242352	MP-U 102-108 M8/10		
2242353	MP-U 109-115 4" M8/10	2072	2,06
2242354	MP-U 115-121 M8/10		
2242355	MP-U 121-127 M8/10		
2242356	MP-U 128-134 M8/10		
2242357	MP-U 135-141 5" M8/10		
2305351	MP-U 141-147 M8/10		
2305352	MP-U 147-153 M8/10	2449	3,68
2305353	MP-U 153-159 M8/10		
2305354	MP-U 160-166 6" M8/10		
2305355	MP-U 166-172 M8/10		
2305356	MP-U 170-176 M8/10		

Rohrschellen Hilti Ultimate MP-U, MP-U-I und MP-U-G

Nutzlast und Verformung bei Raumtemperatur

Anhang C10



**Tabelle C11: Charakteristischer Widerstand bei Zugbeanspruchung bei Raumtemperatur für MP-U M8/10/1/2"**

Artikelnummer	Bezeichnung	Charakteristischer Widerstand bei Zugbeanspruchung $F_{Rk}$ [N]	Teilsicherheitsbeiwert <sup>1)</sup> $\gamma_m$ [-]
2242359	MP-U 13-17 1/4" M8/10/1/2"	1476	1,85
2242360	MP-U 16-20 3/8" M8/10/1/2"		
2242361	MP-U 20-24 1/2" M8/10/1/2"		
2242362	MP-U 25-29 3/4" M8/10/1/2"		
2242363	MP-U 30-34 M8/10/1/2"		
2242364	MP-U 34-38 1" M8/10/1/2"		
2242365	MP-U 38-42 M8/10/1/2"		
2242366	MP-U 42-47 1 1/4" M8/10/1/2"	2196	2,75
2242367	MP-U 47-52 1 1/2" M8/10/1/2"		
2242368	MP-U 52-57 M8/10/1/2"		
2242369	MP-U 57-62 2" M8/10/1/2"		
2242370	MP-U 62-67 M8/10/1/2"		
2242371	MP-U 67-72 M8/10/1/2"	4423	3,16
2242372	MP-U 72-77 2 1/2" M8/10/1/2"		
2242373	MP-U 77-82 M8/10/1/2"		
2242374	MP-U 83-89 3" M8/10/1/2"		
2242375	MP-U 89-95 M8/10/1/2"		
2242376	MP-U 95-101 M8/10/1/2"		
2242377	MP-U 102-108 M8/10/1/2"		
2242378	MP-U 109-115 4" M8/10/1/2"		
2242379	MP-U 115-121 M8/10/1/2"		
2242380	MP-U 121-127 M8/10/1/2"		
2242235	MP-U 128-134 M8/10/1/2"		
2242332	MP-U 135-141 5" M8/10/1/2"		
2305357	MP-U 141-147 M8/10/1/2"	5061	2,11
2305358	MP-U 147-153 M8/10/1/2"		
2305359	MP-U 153-159 M8/10/1/2"		
2305360	MP-U 160-166 6" M8/10/1/2"		
2305361	MP-U 166-172 M8/10/1/2"		
2305362	MP-U 170-176 M8/10/1/2"		

1) Sofern keine anderen nationalen Regelungen vorliegen

**Rohrschellen Hilti Ultimate MP-U, MP-U-I und MP-U-G**

**Charakteristischer Widerstand bei Zugbeanspruchung bei Raumtemperatur**

**Anhang C11**

Tabelle C12: Nutzlast und Verformung bei Raumtemperatur für MP-U M8/10/1/2"

Artikelnummer	Bezeichnung	Nutzlast F <sub>SLs</sub> [N]	Zugehörige Verformung [mm]
2242359	MP-U 13-17 1/4" M8/10/1/2"	879	1,50
2242360	MP-U 16-20 3/8" M8/10/1/2"		
2242361	MP-U 20-24 1/2" M8/10/1/2"		
2242362	MP-U 25-29 3/4" M8/10/1/2"		
2242363	MP-U 30-34 M8/10/1/2"		
2242364	MP-U 34-38 1" M8/10/1/2"		
2242365	MP-U 38-42 M8/10/1/2"		
2242366	MP-U 42-47 1 1/4" M8/10/1/2"	1053	1,50
2242367	MP-U 47-52 1 1/2" M8/10/1/2"		
2242368	MP-U 52-57 M8/10/1/2"		
2242369	MP-U 57-62 2" M8/10/1/2"		
2242370	MP-U 62-67 M8/10/1/2"		
2242371	MP-U 67-72 M8/10/1/2"		
2242372	MP-U 72-77 2 1/2" M8/10/1/2"	1762	1,50
2242373	MP-U 77-82 M8/10/1/2"		
2242374	MP-U 83-89 3" M8/10/1/2"		
2242375	MP-U 89-95 M8/10/1/2"		
2242376	MP-U 95-101 M8/10/1/2"		
2242377	MP-U 102-108 M8/10/1/2"		
2242378	MP-U 109-115 4" M8/10/1/2"	2072	2,06
2242379	MP-U 115-121 M8/10/1/2"		
2242380	MP-U 121-127 M8/10/1/2"		
2242235	MP-U 128-134 M8/10/1/2"		
2242332	MP-U 135-141 5" M8/10/1/2"		
2305357	MP-U 141-147 M8/10/1/2"		
2305358	MP-U 147-153 M8/10/1/2"	2449	3,68
2305359	MP-U 153-159 M8/10/1/2"		
2305360	MP-U 160-166 6" M8/10/1/2"		
2305361	MP-U 166-172 M8/10/1/2"		
2305362	MP-U 170-176 M8/10/1/2"		

Rohrschellen Hilti Ultimate MP-U, MP-U-I und MP-U-G

Nutzlast und Verformung bei Raumtemperatur

Anhang C12

**Tabelle C13: Charakteristischer Widerstand bei Zugbeanspruchung bei Raumtemperatur für MP-U-G M8**

Artikelnummer	Bezeichnung	Charakteristischer Widerstand bei Zugbeanspruchung $F_{Rk}$ [N]	Teilsicherheitsbeiwert <sup>1)</sup> $\gamma_m$ [-]
2275028	MP-U-G 16 M8	2630	3,33
2275029	MP-U-G 20 M8		
2275030	MP-U-G 25 M8		
2275031	MP-U-G 32 M8		
2275032	MP-U-G 40 M8		
2275033	MP-U-G 50 M8		
2275034	MP-U-G 56 M8		

<sup>1)</sup> Sofern keine anderen nationalen Regelungen vorliegen

Rohrschellen Hilti Ultimate MP-U, MP-U-I und MP-U-G

Charakteristischer Widerstand bei Zugbeanspruchung bei Raumtemperatur

Anhang C13

**Tabelle C14: Charakteristischer Widerstand bei Zugbeanspruchung bei Raumtemperatur für MP-U-G M8/10**

Artikel-nummer	Bezeichnung	Charakteristischer Widerstand bei Zugbeanspruchung $F_{Rk}$ [N]	Teilsicherheitsbeiwert <sup>1)</sup> $\gamma_m$ [-]
2275028	MP-U-G 16 M8/10	2630	3,33
2275029	MP-U-G 20 M8/10		
2275030	MP-U-G 25 M8/10		
2275031	MP-U-G 32 M8/10		
2275032	MP-U-G 40 M8/10		
2275033	MP-U-G 50 M8/10		
2275034	MP-U-G 56 M8/10	6108	4,36
2275035	MP-U-G 63 M8/10		
2275036	MP-U-G 75 M8/10		
2275037	MP-U-G 90 M8/10	6588	3,66
2275038	MP-U-G 110 M8/10		
2275039	MP-U-G 125 M8/10		
2275040	MP-U-G 135 M8/10	7413	3,09
2275041	MP-U-G 160 M8/10		

<sup>1)</sup> Sofern keine anderen nationalen Regelungen vorliegen

Rohrschellen Hilti Ultimate MP-U, MP-U-I und MP-U-G

Nutzlast und Verformung bei Raumtemperatur

Anhang C14

**Tabelle C15: Charakteristischer Widerstand bei Zugbeanspruchung bei Raumtemperatur für MP-U-G M8/10/1/2"**

Artikelnummer	Bezeichnung	Charakteristischer Widerstand bei Zugbeanspruchung $F_{RK}$ [N]	Teilsicherheitsbeiwert <sup>1)</sup> $\gamma_m$ [-]
2275042	MP-U-G 50 M8/10/1/2"	2630	3,33
2275043	MP-U-G 56 M8/10/1/2"		
2275044	MP-U-G 63 M8/10/1/2"	6108	4,36
2275045	MP-U-G 75 M8/10/1/2"		
2275046	MP-U-G 90 M8/10/1/2"	6588	3,66
2275047	MP-U-G 110 M8/10/1/2"		
2275048	MP-U-G 125 M8/10/1/2"		
2275049	MP-U-G 135 M8/10/1/2"	7413	3,09
2274899	MP-U-G 160 M8/10/1/2"		

<sup>1)</sup> Sofern keine anderen nationalen Regelungen vorliegen

Rohrschellen Hilti Ultimate MP-U, MP-U-I und MP-U-G

Charakteristischer Widerstand bei Zugbeanspruchung bei Raumtemperatur

Anhang C15

**Tabelle D1: Widerstand of  $F_{Rk,t}$  der Rohrschellen Hilti Ultimate MP-U-I 9-13 – MP-U-I 33-37 und MP-U 13-17 – MP-U 38-42 unter Brandbeanspruchung nach t = 30, 60 und 90 Minuten**

Artikelnummer	Bezeichnung	Parameter der Regressionskurve	$F_{Rk,t}$ [N]		
		$F_{Rk}(t) = c_3 (c_1 + c_2 / t)$	$F_{Rk,30}$	$F_{Rk,60}$	$F_{Rk,90}$
2242258	MP-U-I 9-13 1/8" M8/10	$c_1 = 80,6628$ $c_2 = 6412,2993$ $c_3 = 0,72904$ $21 \text{ min} \leq t \leq 98 \text{ min}$	214,6	136,7	110,7
2242259	MP-U-I 13-17 1/4" M8/10				
2242260	MP-U-I 17-21 3/8" M8/10				
2242261	MP-U-I 21-25 1/2" M8/10				
2242262	MP-U-I 25-29 3/4" M8/10				
2242263	MP-U-I 29-33 M8/10				
2242264	MP-U-I 33-37 1" M8/10				
2242334	MP-U 13-17 1/4" M8/10				
2242335	MP-U 16-20 3/8" M8/10				
2242336	MP-U 20-24 1/2" M8/10				
2242337	MP-U 25-29 3/4" M8/10				
2242338	MP-U 30-34 M8/10				
2242339	MP-U 34-38 1" M8/10				
2242340	MP-U 38-42 M8/10				

**Bezeichnung**

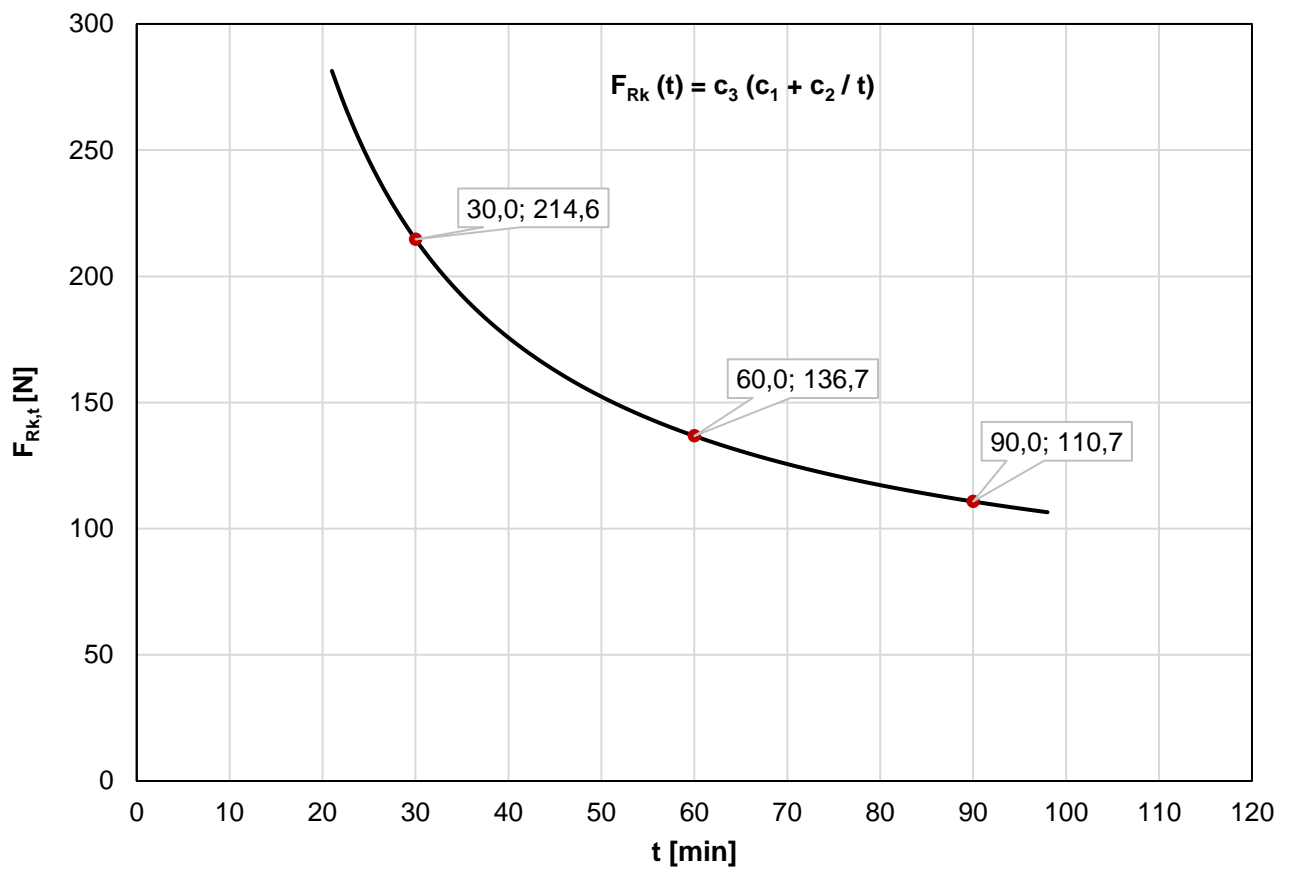
$F_{Rk,t}$  Widerstand nach einer Expositionsdauer t unter Brandbeanspruchung[N]  
 $F_{Rk}(t)$  Zeitabhängiger Widerstand bei Brandbeanspruchung [N]

**Rohrschellen Hilti Ultimate MP-U, MP-U-I und MP-U-G**

**Widerstand unter Brandbeanspruchung für Rohrschellen Hilti Ultimate MP-U-I 9-13 – MP-U-I 33-37 und MP-U 13-17 – MP-U 38-42**

**Anhang D1**

Abbildung D1: Regressionskurve gemäß Tabelle D1



Rohrschellen Hilti Ultimate MP-U, MP-U-I und MP-U-G

Widerstand unter Brandbeanspruchung für Rohrschellen Hilti Ultimate  
MP-U-I 9-13 – MP-U-I 33-37 und MP-U 13-17 – MP-U 38-42

Anhang D2

**Tabelle D2: Widerstand of  $F_{Rk,t}$  der Rohrschellen Hilti Ultimate MP-U-I 9-13 – MP-U-I 33-37 und MP-U 13-17 – MP-U 38-42 unter Brandbeanspruchung nach  $t = 30, 60$  und  $90$  Minuten**

Artikelnummer	Bezeichnung	Parameter der Regressionskurve	$F_{Rk,t}$ [N]		
		$F_{Rk}(t) = c_3 (c_1 + c_2 / t)$	$F_{Rk,30}$	$F_{Rk,60}$	$F_{Rk,90}$
2242308	MP-U-I 9-13 1/8" M8/10/O16	$c_1 = 80,6628$ $c_2 = 5131,1219$ $c_3 = 0,72904$ $21 \text{ min} \leq t \leq 98 \text{ min}$	183,5	121,1	100,4
2242309	MP-U-I 13-17 1/4" M8/10/O16				
2242310	MP-U-I 17-21 3/8" M8/10/O16				
2242311	MP-U-I 21-25 1/2" M8/10/O16				
2242312	MP-U-I 25-29 3/4" M8/10/O16				
2242313	MP-U-I 29-33 M8/10/O16				
2242314	MP-U-I 33-37 1" M8/10/O16				
2242283	MP-U-I 9-13 1/8" M8/10/1/2"				
2242284	MP-U-I 13-17 1/4" M8/10/1/2"				
2242285	MP-U-I 17-21 3/8" M8/10/1/2"				
2242286	MP-U-I 21-25 1/2" M8/10/1/2"				
2242287	MP-U-I 25-29 3/4" M8/10/1/2"				
2242288	MP-U-I 29-33 M8/10/1/2"				
2242289	MP-U-I 33-37 1" M8/10/1/2"				
2242359	MP-U 13-17 1/4" M8/10/1/2"				
2242360	MP-U 16-20 3/8" M8/10/1/2"				
2242361	MP-U 20-24 1/2" M8/10/1/2"				
2242362	MP-U 25-29 3/4" M8/10/1/2"				
2242363	MP-U 30-34 M8/10/1/2"				
2242364	MP-U 34-38 1" M8/10/1/2"				
2242365	MP-U 38-42 M8/10/1/2"				

### Bezeichnung

$F_{Rk,t}$  Widerstand nach einer Expositionsdauer  $t$  unter Brandbeanspruchung [N]  
 $F_{Rk}(t)$  Zeitabhängiger Widerstand bei Brandbeanspruchung [N]

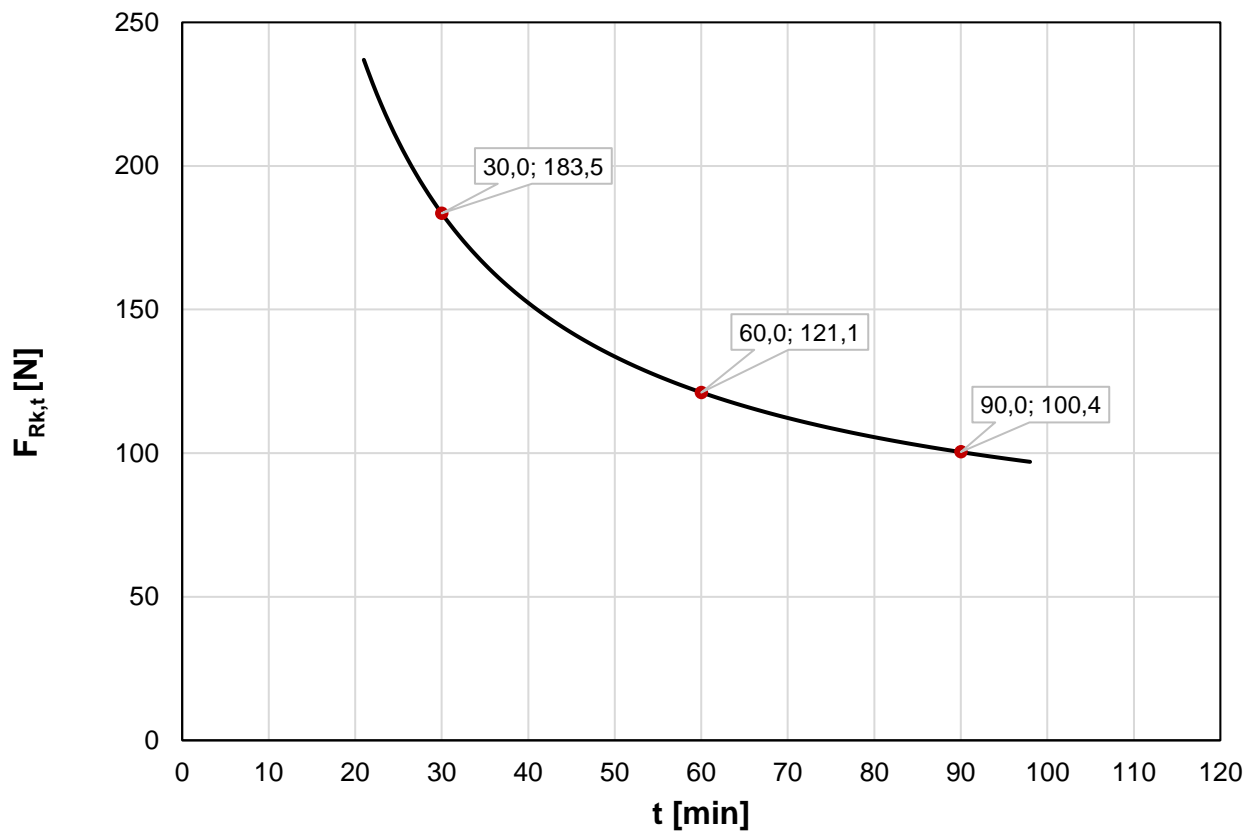
Rohrschellen Hilti Ultimate MP-U, MP-U-I und MP-U-G

Widerstand unter Brandbeanspruchung für Rohrschellen Hilti Ultimate MP-U-I 9-13 – MP-U-I 33-37 und MP-U 13-17 – MP-U 38-42

Anhang D3



Abbildung D2: Regressionskurve gemäß Tabelle D2



Rohrschellen Hilti Ultimate MP-U, MP-U-I und MP-U-G

Widerstand unter Brandbeanspruchung für Rohrschellen Hilti Ultimate  
MP-U-I 9-13 – MP-U-I 33-37 und MP-U 13-17 – MP-U 38-42

Anhang D4

**Tabelle D3: Last-Verformungsfunktion und Verformungen der Rohrschellen Hilti Ultimate MP-U-I 9-13 – MP-U-I 33-37 und MP-U 13-17 – MP-U 38-42**

Artikel-nummer	Bezeichnung	Parameter der Regressionskurve	F <sub>Rk,30</sub> (δ) [N]				δ <sub>max,t</sub> [mm]	
			F <sub>Rk,30</sub> (δ) = a <sub>3</sub> (a <sub>1</sub> + δ <sup>a2</sup> )	F <sub>Rk,30</sub> (12)	F <sub>Rk,30</sub> (16)	F <sub>Rk,30</sub> (18)	F <sub>Rk,30</sub> (20)	δ <sub>max,60</sub>
2242258	MP-U-I 9-13 1/8" M8/10	a <sub>1</sub> = 9,3219 a <sub>2</sub> = 1,1165 a <sub>3</sub> = 0,721 10 mm ≤ δ ≤ 22 mm	107,7	148,5	169,4	190,6	29,6	29,6
2242259	MP-U-I 13-17 1/4" M8/10							
2242260	MP-U-I 17-21 3/8" M8/10							
2242261	MP-U-I 21-25 1/2" M8/10							
2242262	MP-U-I 25-29 3/4" M8/10							
2242263	MP-U-I 29-33 M8/10							
2242264	MP-U-I 33-37 1" M8/10							
2242334	MP-U 13-17 1/4" M8/10							
2242335	MP-U 16-20 3/8" M8/10							
2242336	MP-U 20-24 1/2" M8/10							
2242337	MP-U 25-29 3/4" M8/10							
2242338	MP-U 30-34 M8/10							
2242339	MP-U 34-38 1" M8/10							
2242340	MP-U 38-42 M8/10							
2242308	MP-U-I 9-13 1/8" M8/10/O16							
2242309	MP-U-I 13-17 1/4" M8/10/O16							
2242310	MP-U-I 17-21 3/8" M8/10/O16							
2242311	MP-U-I 21-25 1/2" M8/10/O16							
2242312	MP-U-I 25-29 3/4" M8/10/O16							
2242313	MP-U-I 29-33 M8/10/O16							
2242314	MP-U-I 33-37 1" M8/10/O16							
2242283	MP-U-I 9-13 1/8" M8/10/1/2"							
2242284	MP-U-I 13-17 1/4" M8/10/1/2"							
2242285	MP-U-I 17-21 3/8" M8/10/1/2"							
2242286	MP-U-I 21-25 1/2" M8/10/1/2"							
2242287	MP-U-I 25-29 3/4" M8/10/1/2"							
2242288	MP-U-I 29-33 M8/10/1/2"							
2242289	MP-U-I 33-37 1" M8/10/1/2"							
2242359	MP-U 13-17 1/4" M8/10/1/2"							
2242360	MP-U 16-20 3/8" M8/10/1/2"							
2242361	MP-U 20-24 1/2" M8/10/1/2"							
2242362	MP-U 25-29 3/4" M8/10/1/2"							
2242363	MP-U 30-34 M8/10/1/2"							
2242364	MP-U 34-38 1" M8/10/1/2"							
2242365	MP-U 38-42 M8/10/1/2"							

**Bezeichnung**

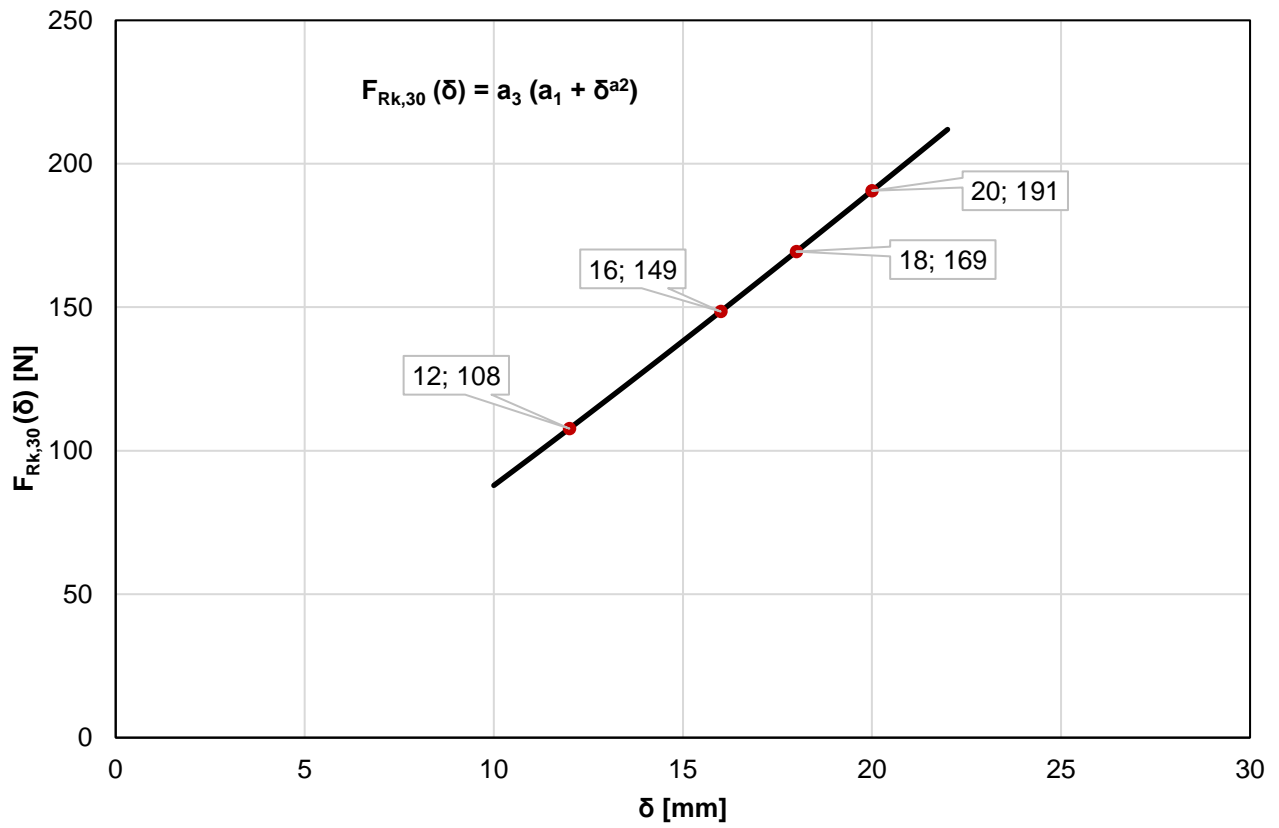
- δ Verformung
- δ<sub>max,t</sub> Maximale Verformung nach einer Expositionsdauer ≤ t Minuten unter Brandbeanspruchung
- F<sub>Rk,30</sub>(δ) Lastabhängige Verformung nach einer Expositionsdauer t = 30 Minuten unter Brandbeanspruchung

**Rohrschellen Hilti Ultimate MP-U, MP-U-I und MP-U-G**

**Last-Verformungsfunktion und Verformungen unter Brandbeanspruchung für Rohrschellen Hilti Ultimate MP-U-I 9-13 – MP-U-I 33-37 und MP-U 13-17 – MP-U 38-42**

**Anhang D6**

Abbildung D3: Regressionskurve gemäß Tabelle D3



Rohrschellen Hilti Ultimate MP-U, MP-U-I und MP-U-G

Last-Verformungsfunktionen und Verformungen unter Brandbeanspruchung für Rohrschellen Hilti Ultimate MP-U-I 9-13 – MP-U-I 33-37 und MP-U 13-17 – MP-U 38-42

Anhang D6

**Tabelle D4: Widerstand  $F_{Rk,t}$  der Rohrschellen Hilti Ultimate MP-U-I 37-42 – MP-U-I 57-62 und MP-U 42-47 – MP-U 62-67 unter Brandbeanspruchung nach  $t = 30, 60$  und  $90$  Minuten**

Artikelnummer	Bezeichnung	Parameter der Regressionskurve	$F_{Rk,t}$ [N]		
		$F_{Rk}(t) = c_3 (c_1 + c_2 / t)$	$F_{Rk,30}$	$F_{Rk,60}$	$F_{Rk,90}$
2242265	MP-U-I 37-42 M8/10	$c_1 = 55,9523$ $c_2 = 9035,2538$ $c_3 = 0,879447$ $23 \text{ min} \leq t \leq 92 \text{ min}$	314,1	181,6	137,5
2242266	MP-U-I 42-47 1 ¼" M8/10				
2242267	MP-U-I 47-52 1 ½" M8/10				
2242268	MP-U-I 52-57 M8/10				
2242269	MP-U-I 57-62 2" M8/10				
2242341	MP-U 42-47 1 ¼" M8/10				
2242342	MP-U 47-52 1 ½" M8/10				
2242343	MP-U 52-57 M8/10				
2242344	MP-U 57-62 2" M8/10				
2242345	MP-U 62-67 M8/10				

**Bezeichnung**

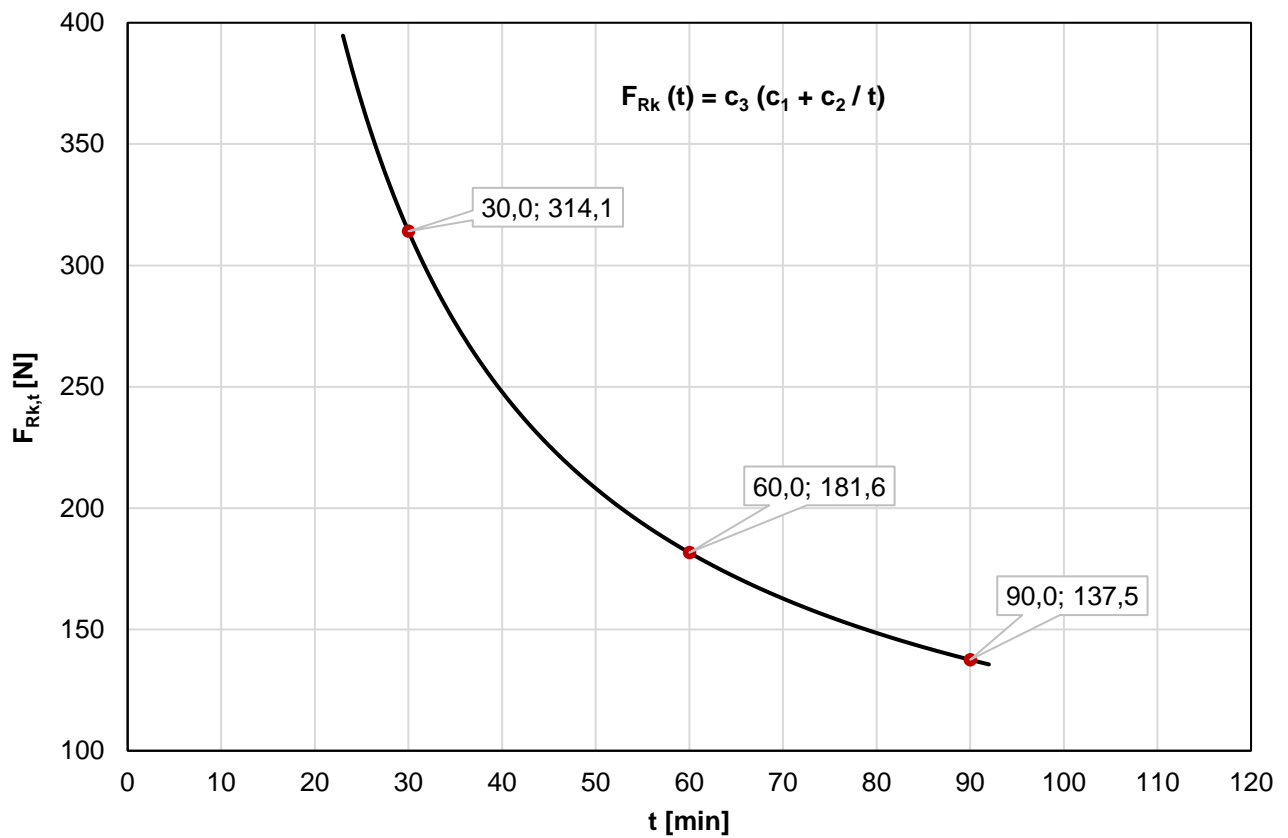
$F_{Rk,t}$  Widerstand nach einer Expositionsdauer  $t$  unter Brandbeanspruchung [N]  
 $F_{Rk}(t)$  Zeitabhängiger Widerstand bei Brandbeanspruchung [N]

Rohrschellen Hilti Ultimate MP-U, MP-U-I und MP-U-G

Widerstand unter Brandbeanspruchung für Rohrschellen Hilti Ultimate MP-U-I 37-42 – MP-U-I 57-62 und MP-U 42-47 – MP-U 62-67

Anhang D7

Abbildung D4: Regressionskurve gemäß Tabelle D4



Rohrschellen Hilti Ultimate MP-U, MP-U-I und MP-U-G

Widerstand unter Brandbeanspruchung für Rohrschellen Hilti Ultimate  
MP-U-I 37-42 – MP-U-I 57-62 und MP-U 42-47 – MP-U 62-67

Anhang D8

**Tabelle D5: Widerstand  $F_{Rk,t}$  der Rohrschellen Hilti Ultimate MP-U-I 37-42 – MP-U-I 57-62 und MP-U 42-47 – MP-U 62-67 unter Brandbeanspruchung nach  $t = 30, 60$  und  $90$  Minuten**

Artikelnummer	Bezeichnung	Parameter der Regressionskurve	$F_{Rk,t}$ [N]		
		$F_{Rk}(t) = c_3 (c_1 + c_2 / t)$	$F_{Rk,30}$	$F_{Rk,60}$	$F_{Rk,90}$
2242315	MP-U-I 37-42 M8/10/O16	$c_1 = 55,9523$ $c_2 = 7228,20304$ $c_3 = 0,879447$ $23 \text{ min} \leq t \leq 92 \text{ min}$	261,1	155,2	119,8
2242316	MP-U-I 42-47 1 ¼" M8/10/O16				
2242317	MP-U-I 47-52 1 ½" M8/10/O16				
2242318	MP-U-I 52-57 M8/10/O16				
2242319	MP-U-I 57-62 2" M8/10/O16				
2242290	MP-U-I 37-42 M8/10/½"				
2242291	MP-U-I 42-47 1 ¼" M8/10/½"				
2242292	MP-U-I 47-52 1 ½" M8/10/½"				
2242293	MP-U-I 52-57 M8/10/½"				
2242294	MP-U-I 57-62 2" M8/10/½"				
2242366	MP-U 42-47 1 ¼" M8/10/½"				
2242367	MP-U 47-52 1 ½" M8/10/½"				
2242368	MP-U 52-57 M8/10/½"				
2242369	MP-U 57-62 2" M8/10/½"				
2242370	MP-U 62-67 M8/10/½"				

### Bezeichnung

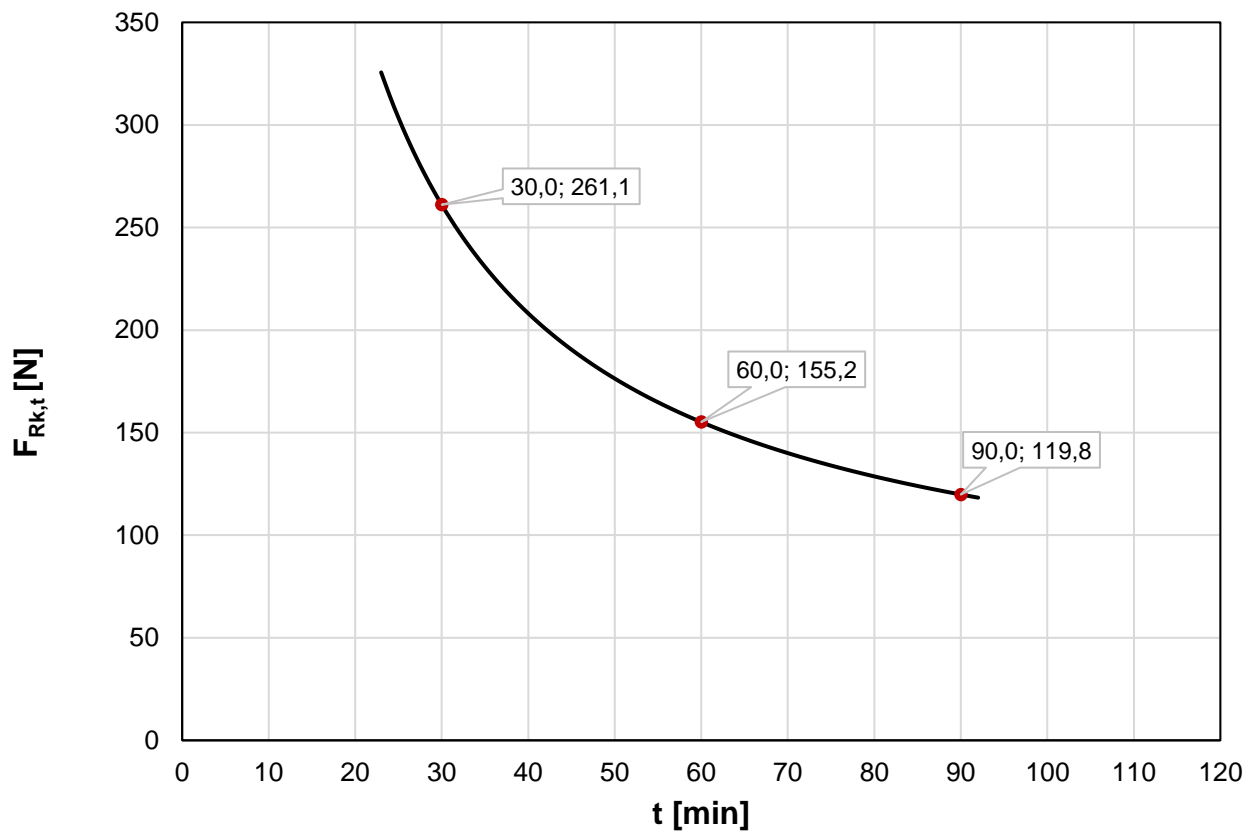
$F_{Rk,t}$  Widerstand nach einer Expositionsdauer  $t$  unter Brandbeanspruchung [N]  
 $F_{Rk}(t)$  Zeitabhängiger Widerstand bei Brandbeanspruchung [N]

Rohrschellen Hilti Ultimate MP-U, MP-U-I und MP-U-G

Widerstand unter Brandbeanspruchung für Rohrschellen Hilti Ultimate MP-U-I 37-42 – MP-U-I 57-62 und MP-U 42-47 – MP-U 62-67

Anhang D9

Abbildung D5: Regressionskurve gemäß Tabelle D5



Rohrschellen Hilti Ultimate MP-U, MP-U-I und MP-U-G

Widerstand unter Brandbeanspruchung für Rohrschellen Hilti Ultimate  
MP-U-I 37-42 – MP-U-I 57-62 und MP-U 42-47 – MP-U 62-67

Anhang D10

**Tabelle D6: Last-Verformungsfunktion und Verformungen der Rohrschellen Hilti Ultimate MP-U-I 37-42 – MP-U-I 57-62 und MP-U 42-47 – MP-U 62-67 unter Brandbeanspruchung**

Artikelnummer	Bezeichnung	Parameter der Regressionskurve	F <sub>Rk,30</sub> (δ) [N]				δ <sub>max,t</sub> [mm]	
			F <sub>Rk,30</sub> (δ) = a <sub>3</sub> (a <sub>1</sub> + δ <sup>a<sub>2</sub></sup> )	F <sub>Rk,30</sub> (16)	F <sub>Rk,30</sub> (18)	F <sub>Rk,30</sub> (20)	F <sub>Rk,30</sub> (24)	δ <sub>max,60</sub>
2242265	MP-U-I 37-42 M8/10	a <sub>1</sub> = 1,0994 a <sub>2</sub> = 1,7722 a <sub>3</sub> = 0,8345 14 mm ≤ δ ≤ 25 mm	124,9	153,9	185,5	256,2	36,9	36,9
2242266	MP-U-I 42-47 1 ¼" M8/10							
2242267	MP-U-I 47-52 1 ½" M8/10							
2242268	MP-U-I 52-57 M8/10							
2242269	MP-U-I 57-62 2" M8/10							
2242341	MP-U 42-47 1 ¼" M8/10							
2242342	MP-U 47-52 1 ½" M8/10							
2242343	MP-U 52-57 M8/10							
2242344	MP-U 57-62 2" M8/10							
2242345	MP-U 62-67 M8/10							
2242315	MP-U-I 37-42 M8/10/O16							
2242316	MP-U-I 42-47 1 ¼" M8/10/O16							
2242317	MP-U-I 47-52 1 ½" M8/10/O16							
2242318	MP-U-I 52-57 M8/10/O16							
2242319	MP-U-I 57-62 2" M8/10/O16							
2242290	MP-U-I 37-42 M8/10/½"							
2242291	MP-U-I 42-47 1 ¼" M8/10/½"							
2242292	MP-U-I 47-52 1 ½" M8/10/½"							
2242293	MP-U-I 52-57 M8/10/½"							
2242294	MP-U-I 57-62 2" M8/10/½"							
2242366	MP-U 42-47 1 ¼" M8/10/½"							
2242367	MP-U 47-52 1 ½" M8/10/½"							
2242368	MP-U 52-57 M8/10/½"							
2242369	MP-U 57-62 2" M8/10/½"							
2242370	MP-U 62-67 M8/10/½"							

**Symbole und Bezeichnung**

- δ Verformung
- δ<sub>max,t</sub> Maximale Verformung nach einer Expositionsdauer ≤ t Minuten unter Brandbeanspruchung
- F<sub>Rk,30</sub>(δ) Lastabhängige Verformung nach einer Expositinosdauer t = 30 Minuten unter Brandbeanspruchung

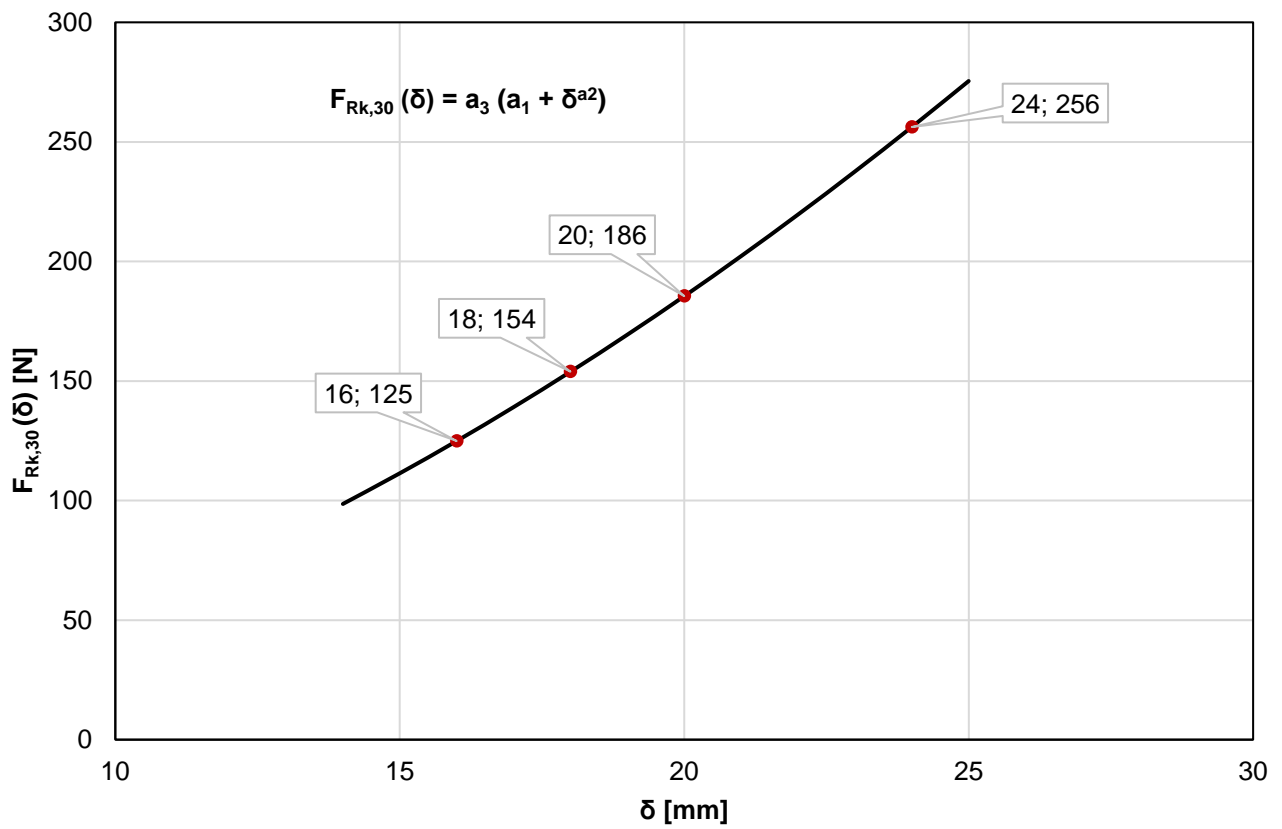
**Rohrschellen Hilti Ultimate MP-U, MP-U-I und MP-U-G**

**Last-Verformungsfunktions und Verformungen unter Brandbeanspruchung für Rohrschellen Hilti Ultimate MP-U-I 37-42 – MP-U-I 57-62 und MP-U 42-47 – MP-U 62-67**

**Anhang D11**



Abbildung D6: Regressionskurve gemäß Tabelle D6



Rohrschellen Hilti Ultimate MP-U, MP-U-I und MP-U-G

Last-Verformungsfunktionen und Verformungen unter Brandbeanspruchung für Rohrschellen Hilti Ultimate MP-U-I 37-42 – MP-U-I 57-62 und MP-U 42-47 – MP-U 62-67

Anhang D12

**Tabelle D7: Widerstand  $F_{Rk,t}$  der Rohrschellen Hilti Ultimate MP-U-I 62-67 – MP-U-I 90-96 und MP-U 67-72 – MP-U 95-101 unter Brandbeanspruchung nach  $t = 30, 60$  und  $90$  Minuten**

Artikelnummer	Bezeichnung	Parameter der Regressionskurve	$F_{Rk,t}$ [N]		
		$F_{Rk}(t) = c_3 (c_1 + c_2 / t)$	$F_{Rk,30}$	$F_{Rk,60}$	$F_{Rk,90}$
2242270	MP-U-I 62-67 M8/10	$c_1 = 102,2415$ $c_2 = 19244,9886$ $c_3 = 0,92677$ $29 \text{ min} \leq t \leq 91 \text{ min}$	689,3	392,0	292,9
2242271	MP-U-I 67-72 M8/10				
2242272	MP-U-I 72-77 2 ½" M8/10				
2242273	MP-U-I 78-84 M8/10				
2242274	MP-U-I 84-90 3" M8/10				
2242275	MP-U-I 90-96 M8/10				
2242346	MP-U 67-72 M8/10				
2242347	MP-U 72-77 2 ½" M8/10				
2242348	MP-U 77-82 M8/10				
2242349	MP-U 83-89 3" M8/10				
2242350	MP-U 89-95 M8/10				
2242351	MP-U 95-101 M8/10				

### Bezeichnung

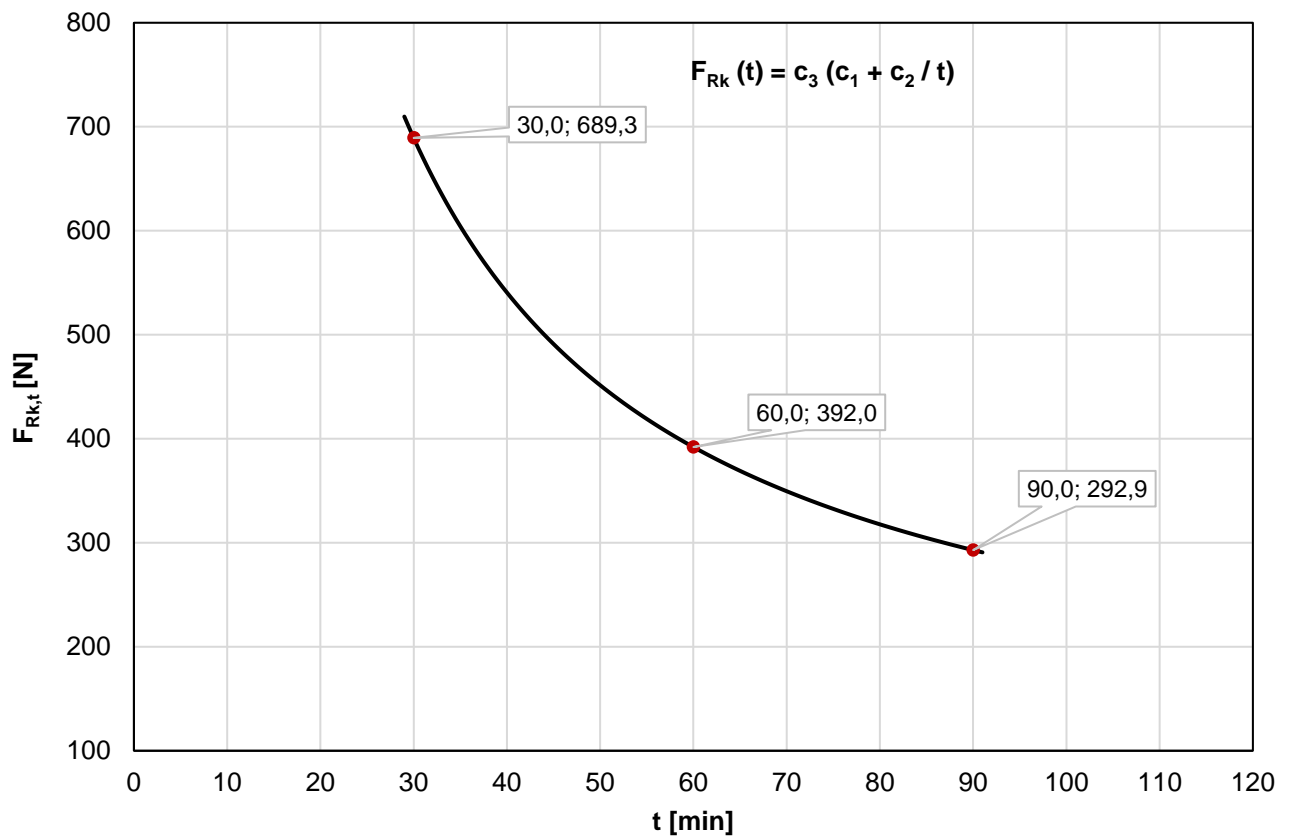
$F_{Rk,t}$  Widerstand nach einer Expositionsdauer  $t$  unter Brandbeanspruchung [N]  
 $F_{Rk}(t)$  Zeitabhängiger Widerstand bei Brandbeanspruchung [N]

Rohrschellen Hilti Ultimate MP-U, MP-U-I und MP-U-G

Widerstand unter Brandbeanspruchung für Rohrschellen Hilti Ultimate MP-U-I 62-67 – MP-U-I 90-96 und MP-U 67-72 – MP-U 95-101

Anhang D13

Abbildung D7: Regressionskurve gemäß Tabelle D7



Rohrschellen Hilti Ultimate MP-U, MP-U-I und MP-U-G

Widerstand unter Brandbeanspruchung für Rohrschellen Hilti Ultimate  
MP-U-I 62-67 – MP-U-I 90-96 und MP-U 67-72 – MP-U 95-101

Anhang D14

**Tabelle D8: Widerstand  $F_{Rk,t}$  der Rohrschellen Hilti Ultimate MP-U-I 62-67 – MP-U-I 90-96 und MP-U 67-72 – MP-U 95-101 unter Brandbeanspruchung nach  $t = 30, 60$  und  $90$  Minuten**

Artikelnummer	Bezeichnung	Parameter der Regressionskurve	$F_{Rk,t}$ [N]		
		$F_{Rk}(t) = c_3 (c_1 + c_2 / t)$	$F_{Rk,30}$	$F_{Rk,60}$	$F_{Rk,90}$
2242320	MP-U-I 62-67 M8/10/O16	$c_1 = 102,2415$ $c_2 = 15395,9909$ $c_3 = 0,92677$ $29 \text{ min} \leq t \leq 91 \text{ min}$	570,4	332,6	253,3
2242321	MP-U-I 67-72 M8/10/O16				
2242322	MP-U-I 72-77 2 1/2" M8/10/O16				
2242323	MP-U-I 78-84 M8/10/O16				
2242324	MP-U-I 84-90 3" M8/10/O16				
2242325	MP-U-I 90-96 M8/10/O16				
2242295	MP-U-I 62-67 M8/10/1/2"				
2242296	MP-U-I 67-72 M8/10/1/2"				
2242297	MP-U-I 72-77 2 1/2" M8/10/1/2"				
2242298	MP-U-I 78-84 M8/10/1/2"				
2242299	MP-U-I 84-90 3" M8/10/1/2"				
2242300	MP-U-I 90-96 M8/10/1/2"				
2242371	MP-U 67-72 M8/10/1/2"				
2242372	MP-U 72-77 2 1/2" M8/10/1/2"				
2242373	MP-U 77-82 M8/10/1/2"				
2242374	MP-U 83-89 3" M8/10/1/2"				
2242375	MP-U 89-95 M8/10/1/2"				
2242376	MP-U 95-101 M8/10/1/2"				

### Bezeichnung

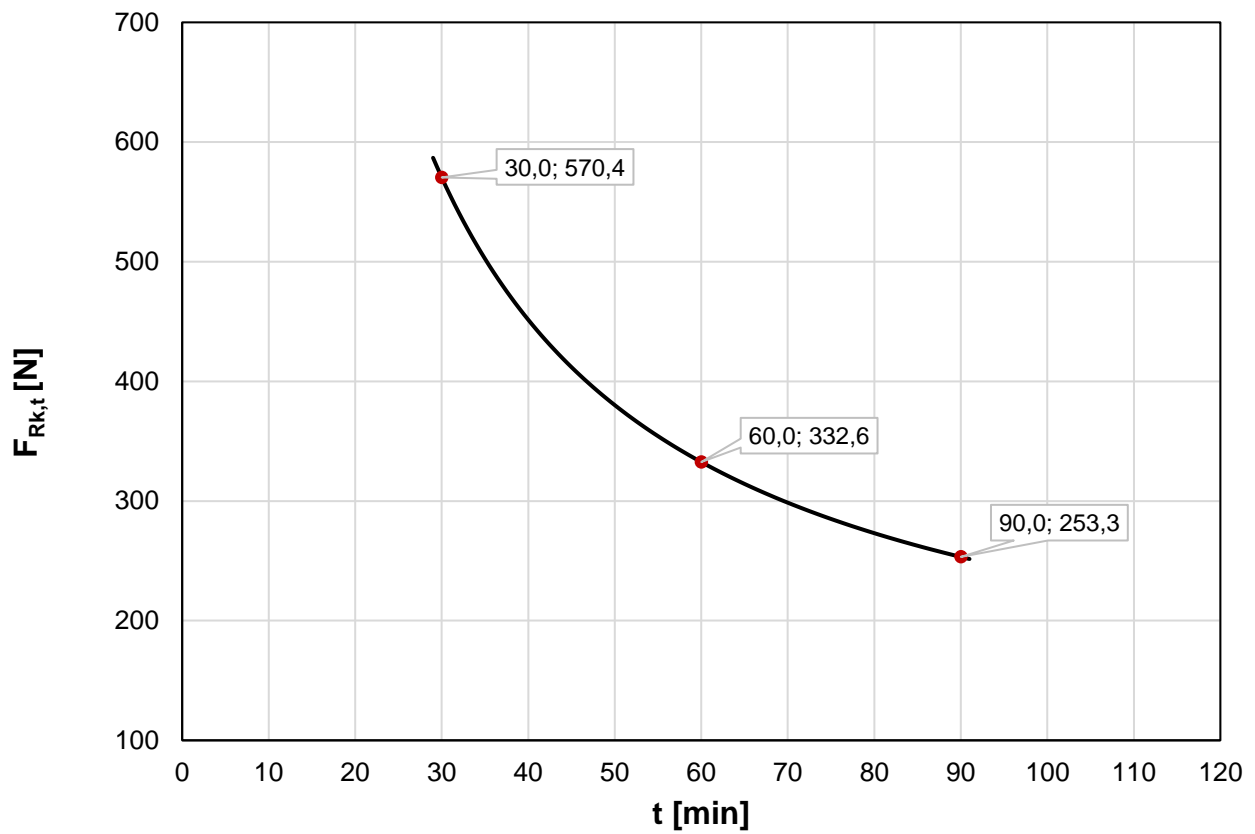
$F_{Rk,t}$  Widerstand nach einer Expositionsdauer  $t$  unter Brandbeanspruchung [N]  
 $F_{Rk}(t)$  Zeitabhängiger Widerstand bei Brandbeanspruchung [N]

Rohrschellen Hilti Ultimate MP-U, MP-U-I und MP-U-G

Widerstand unter Brandbeanspruchung für Rohrschellen Hilti Ultimate MP-U-I 62-67 – MP-U-I 90-96 und MP-U 67-72 – MP-U 95-101

Anhang D15

Abbildung D8: Regressionskurve gemäß Tabelle D8



Rohrschellen Hilti Ultimate MP-U, MP-U-I und MP-U-G

Widerstand unter Brandbeanspruchung für Rohrschellen Hilti Ultimate  
MP-U-I 62-67 – MP-U-I 90-96 und MP-U 67-72 – MP-U 95-101

Anhang D16

**Tabelle D9: Last-Verformungsfunktion und Verformungen der Rohrschellen Hilti Ultimate MP-U-I 62-67 – MP-U-I 90-96 und MP-U 67-72 – MP-U 95-101 unter Brandbeanspruchung**

Artikelnummer	Bezeichnung	Parameter der Regressionskurve	F <sub>Rk,30</sub> (δ) [N]				δ <sub>max,t</sub> [mm]	
			F <sub>Rk,30</sub> (δ) = a <sub>3</sub> (a <sub>1</sub> + δ <sup>a<sub>2</sub></sup> )	F <sub>Rk,30</sub> (16)	F <sub>Rk,30</sub> (20)	F <sub>Rk,30</sub> (24)	F <sub>Rk,30</sub> (28)	δ <sub>max,60</sub>
2242270	MP-U-I 62-67 M8/10	a <sub>1</sub> = 5,1603 a <sub>2</sub> = 1,4856 a <sub>3</sub> = 0,903 15 mm ≤ δ ≤ 29 mm	286,6	399,2	523,5	658,2	32,9	32,9
2242271	MP-U-I 67-72 M8/10							
2242272	MP-U-I 72-77 2 ½" M8/10							
2242273	MP-U-I 78-84 M8/10							
2242274	MP-U-I 84-90 3" M8/10							
2242275	MP-U-I 90-96 M8/10							
2242346	MP-U 67-72 M8/10							
2242347	MP-U 72-77 2 ½" M8/10							
2242348	MP-U 77-82 M8/10							
2242349	MP-U 83-89 3" M8/10							
2242350	MP-U 89-95 M8/10							
2242351	MP-U 95-101 M8/10							
2242320	MP-U-I 62-67 M8/10/O16							
2242321	MP-U-I 67-72 M8/10/O16							
2242322	MP-U-I 72-77 2 ½" M8/10/O16							
2242323	MP-U-I 78-84 M8/10/O16							
2242324	MP-U-I 84-90 3" M8/10/O16							
2242325	MP-U-I 90-96 M8/10/O16							
2242295	MP-U-I 62-67 M8/10/½"							
2242296	MP-U-I 67-72 M8/10/½"							
2242297	MP-U-I 72-77 2 ½" M8/10/½"							
2242298	MP-U-I 78-84 M8/10/½"							
2242299	MP-U-I 84-90 3" M8/10/½"							
2242300	MP-U-I 90-96 M8/10/½"							
2242371	MP-U 67-72 M8/10/½"							
2242372	MP-U 72-77 2 ½" M8/10/½"							
2242373	MP-U 77-82 M8/10/½"							
2242374	MP-U 83-89 3" M8/10/½"							
2242375	MP-U 89-95 M8/10/½"							
2242376	MP-U 95-101 M8/10/½"							

**Symbole und Bezeichnung**

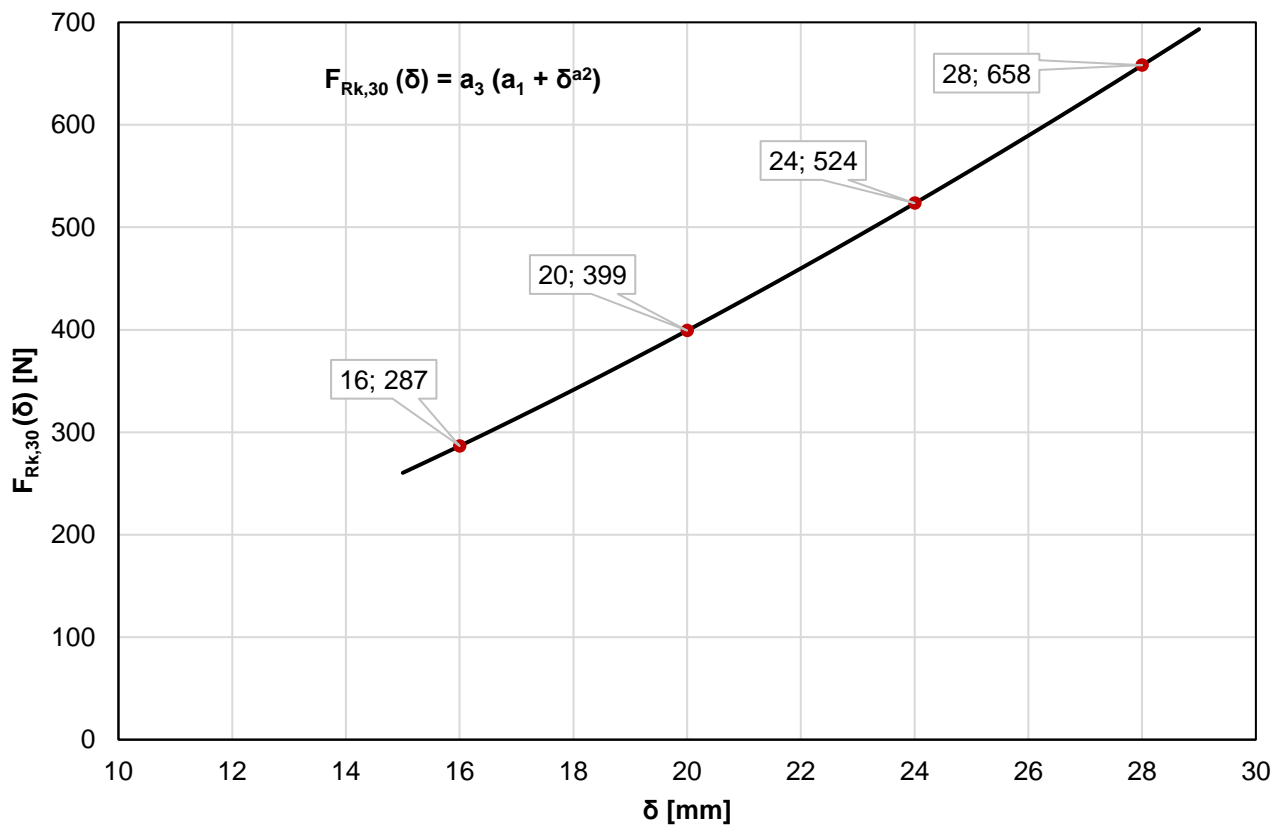
- δ Verformung
- δ<sub>max,t</sub> Maximale Verformung nach einer Expositionsdauer ≤ t Minuten unter Brandbeanspruchung
- F<sub>Rk,30</sub>(δ) Lastabhängige Verformung nach einer Expositinosdauer t = 30 Minuten unter Brandbeanspruchung

**Rohrschellen Hilti Ultimate MP-U, MP-U-I und MP-U-G**

**Last-Verformungsfunktions und Verformungen unter Brandbeanspruchung für Rohrschellen Hilti Ultimate MP-U-I 62-67 – MP-U-I 90-96 und MP-U 67-72 – MP-U 95-101**

**Anhang D17**

Abbildung D9: Regressionskurve gemäß Tabelle D9



Rohrschellen Hilti Ultimate MP-U, MP-U-I und MP-U-G

Last-Verformungsfunktions und Verformungen unter Brandbeanspruchung für Rohrschellen Hilti Ultimate MP-U-I 62-67 – MP-U-I 90-96 und MP-U 67-72 – MP-U 95-101

Anhang D18

**Tabelle D10: Widerstand  $F_{Rk,t}$  der Rohrschellen Hilti Ultimate MP-U-I 97-103 – MP-U-I 135-141 und MP-U 102-108 – MP-U 141-147 unter Brandbeanspruchung nach t = 30, 60 und 90 Minuten**

Artikelnummer	Bezeichnung	Parameter der Regressionskurve	$F_{Rk,t}$ [N]		
		$F_{Rk}(t) = c_3 (c_1 + c_2 / t)$	$F_{Rk,30}$	$F_{Rk,60}$	$F_{Rk,90}$
2242276	MP-U-I 97-103 M8/10	$c_1 = 93,8086$ $c_2 = 28582,3739$ $c_3 = 0,871219$ $27 \text{ min} \leq t \leq 98 \text{ min}$	911,8	496,8	358,4
2242277	MP-U-I 103-109 M8/10				
2242278	MP-U-I 109-115 4" M8/10				
2242279	MP-U-I 115-121 M8/10				
2242280	MP-U-I 122-128 M8/10				
2242281	MP-U-I 129-135 M8/10				
2305365	MP-U-I 135-141 5" M8/10				
2242352	MP-U 102-108 M8/10				
2242353	MP-U 109-115 4" M8/10				
2242354	MP-U 115-121 M8/10				
2242355	MP-U 121-127 M8/10				
2242356	MP-U 128-134 M8/10				
2242357	MP-U 135-141 5" M8/10				
2305351	MP-U 141-147 M8/10				

### Bezeichnung

$F_{Rk,t}$  Widerstand nach einer Expositionsdauer t unter Brandbeanspruchung [N]  
 $F_{Rk}(t)$  Zeitabhängiger Widerstand bei Brandbeanspruchung [N]

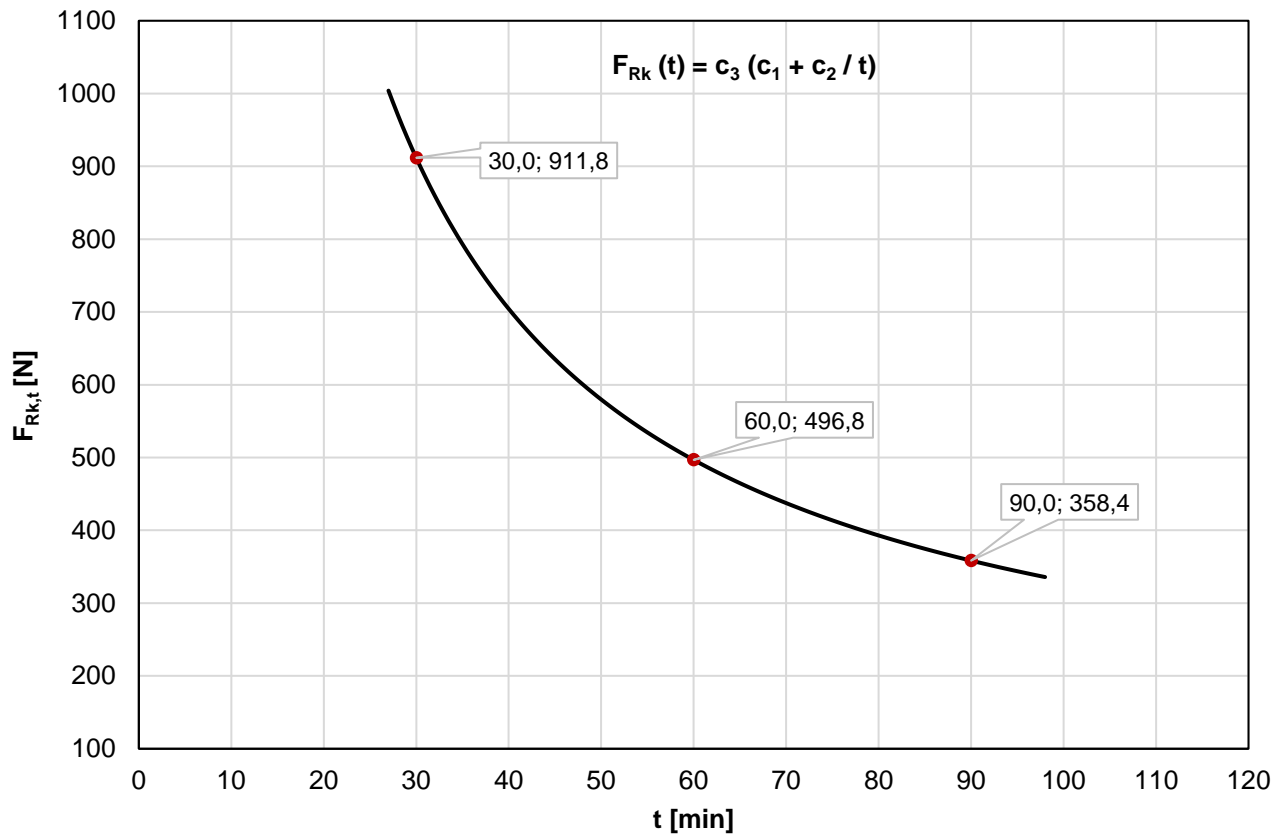
Rohrschellen Hilti Ultimate MP-U, MP-U-I und MP-U-G

Widerstand unter Brandbeanspruchung für Rohrschellen Hilti Ultimate MP-U-I 97-103 – MP-U-I 135-141 und MP-U 102-108 – MP-U 141-147

Anhang D19



Abbildung D10: Regressionskurve gemäß Tabelle D10



Rohrschellen Hilti Ultimate MP-U, MP-U-I und MP-U-G

Widerstand unter Brandbeanspruchung für Rohrschellen Hilti Ultimate  
MP-U-I 97-103 – MP-U-I 135-141 und MP-U 102-108 – MP-U 141-147

Anhang D20

**Tabelle D11: Widerstand  $F_{Rk,t}$  der Rohrschellen Hilti Ultimate MP-U-I 97-103 – MP-U-I 135-141 und MP-U 102-108 – MP-U 141-147 unter Brandbeanspruchung nach  $t = 30, 60$  und  $90$  Minuten**

Artikelnummer	Bezeichnung	Parameter der Regressionskurve	$F_{Rk,t}$ [N]		
		$F_{Rk}(t) = c_3 (c_1 + c_2 / t)$	$F_{Rk,30}$	$F_{Rk,60}$	$F_{Rk,90}$
2242326	MP-U-I 97-103 M8/10/O16	$c_1 = 93,8086$ $c_2 = 22866,1849$ $c_3 = 0,871219$ $27 \text{ min} \leq t \leq 98 \text{ min}$	745,8	413,7	303,1
2242327	MP-U-I 103-109 M8/10/O16				
2242328	MP-U-I 109-115 4" M8/10/O16				
2242329	MP-U-I 115-121 M8/10/O16				
2242330	MP-U-I 122-128 M8/10/O16				
2242331	MP-U-I 129-135 M8/10/O16				
2305377	MP-U-I 135-141 5" M8/10/O16				
2242301	MP-U-I 97-103 M8/10/1/2"				
2242302	MP-U-I 103-109 M8/10/1/2"				
2242303	MP-U-I 109-115 4" M8/10/1/2"				
2242304	MP-U-I 115-121 M8/10/1/2"				
2242305	MP-U-I 122-128 M8/10/1/2"				
2242306	MP-U-I 129-135 M8/10/1/2"				
2305371	MP-U-I 135-141 5" M8/10/1/2"				
2242377	MP-U 102-108 M8/10/1/2"				
2242378	MP-U 109-115 4" M8/10/1/2"				
2242379	MP-U 115-121 M8/10/1/2"				
2242380	MP-U 121-127 M8/10/1/2"				
2242235	MP-U 128-134 M8/10/1/2"				
2242332	MP-U 135-141 5" M8/10/1/2"				
2305357	MP-U 141-147 M8/10/1/2"				

**Bezeichnung**

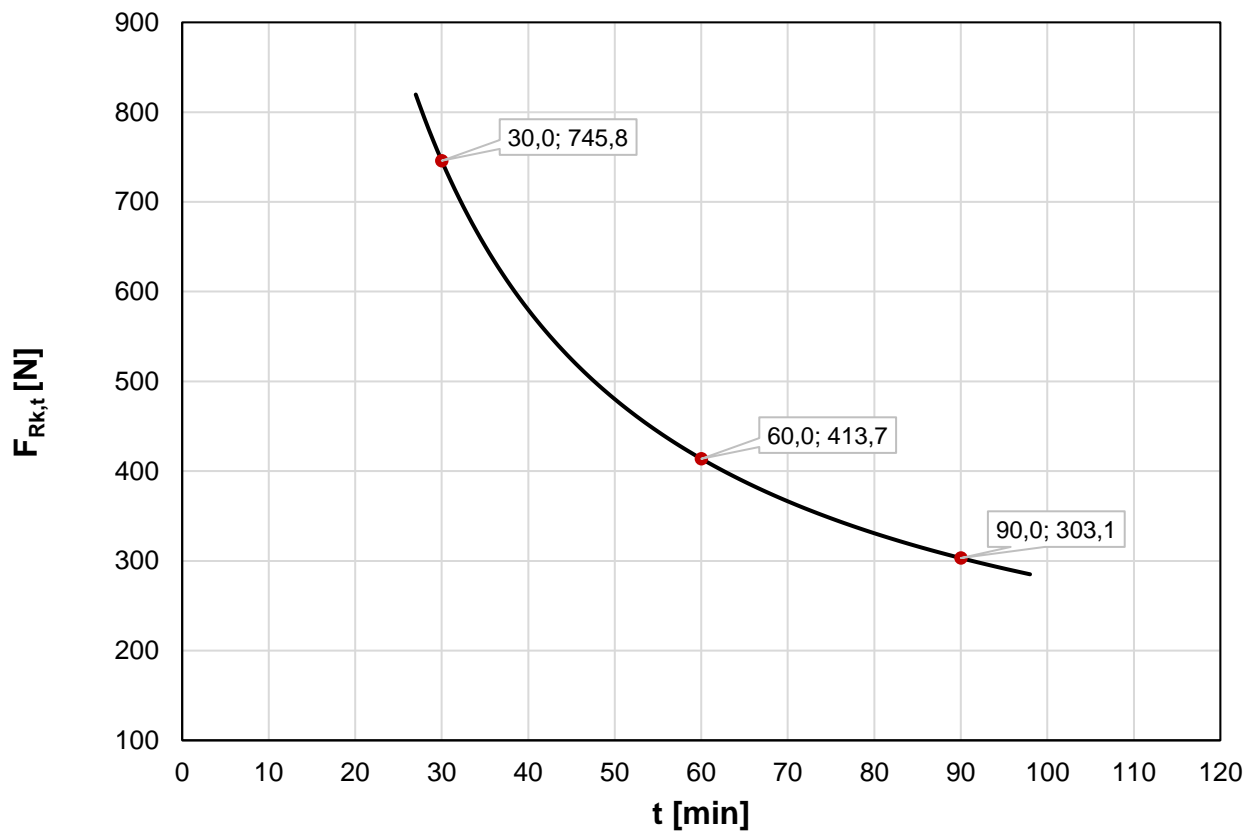
$F_{Rk,t}$  Widerstand nach einer Expositionsdauer  $t$  unter Brandbeanspruchung [N]  
 $F_{Rk}(t)$  Zeitabhängiger Widerstand bei Brandbeanspruchung [N]

**Rohrschellen Hilti Ultimate MP-U, MP-U-I und MP-U-G**

**Widerstand unter Brandbeanspruchung für Rohrschellen Hilti Ultimate MP-U-I 97-103 – MP-U-I 135-141 und MP-U 102-108 – MP-U 141-147**

**Anhang D21**

Abbildung D11: Regressionskurve gemäß Tabelle D11



Rohrschellen Hilti Ultimate MP-U, MP-U-I und MP-U-G

Widerstand unter Brandbeanspruchung für Rohrschellen Hilti Ultimate  
MP-U-I 97-103 – MP-U-I 135-141 und MP-U 102-108 – MP-U 141-147

Anhang D22

**Tabelle D12: Last-Verformungsfunktion und Verformungen der Rohrschellen Hilti Ultimate MP-U-I 97-103 – MP-U-I 135-141 und MP-U 102-108 – MP-U 141-147 unter Brandbeanspruchung**

Artikelnummer	Bezeichnung	Parameter der Regressionskurve	F <sub>Rk,30</sub> (δ) [N]				δ <sub>max,t</sub> [mm]	
			F <sub>Rk,30</sub> (20)	F <sub>Rk,30</sub> (24)	F <sub>Rk,30</sub> (28)	F <sub>Rk,30</sub> (30)	δ <sub>max,60</sub>	δ <sub>max,90</sub>
2242276	MP-U-I 97-103 M8/10	$F_{Rk,30}(\delta) = a_3(a_1 + \delta^{a_2})$ a <sub>1</sub> = 3,1095 a <sub>2</sub> = 1,6655 a <sub>3</sub> = 0,8348 19 mm ≤ δ ≤ 32 mm	381,2	516,4	667,5	748,8	41,5	52,7
2242277	MP-U-I 103-109 M8/10							
2242278	MP-U-I 109-115 4" M8/10							
2242279	MP-U-I 115-121 M8/10							
2242280	MP-U-I 122-128 M8/10							
2242281	MP-U-I 129-135 M8/10							
2305365	MP-U-I 135-141 5" M8/10							
2242352	MP-U 102-108 M8/10							
2242353	MP-U 109-115 4" M8/10							
2242354	MP-U 115-121 M8/10							
2242355	MP-U 121-127 M8/10							
2242356	MP-U 128-134 M8/10							
2242357	MP-U 135-141 5" M8/10							
2305351	MP-U 141-147 M8/10							
2242326	MP-U-I 97-103 M8/10/O16							
2242327	MP-U-I 103-109 M8/10/O16							
2242328	MP-U-I 109-115 4" M8/10/O16							
2242329	MP-U-I 115-121 M8/10/O16							
2242330	MP-U-I 122-128 M8/10/O16							
2242331	MP-U-I 129-135 M8/10/O16							
2305377	MP-U-I 135-141 5" M8/10/O16							
2242301	MP-U-I 97-103 M8/10/½"							
2242302	MP-U-I 103-109 M8/10/½"							
2242303	MP-U-I 109-115 4" M8/10/½"							
2242304	MP-U-I 115-121 M8/10/½"							
2242305	MP-U-I 122-128 M8/10/½"							
2242306	MP-U-I 129-135 M8/10/½"							
2305371	MP-U-I 135-141 5" M8/10/½"							
2242377	MP-U 102-108 M8/10/½"							
2242378	MP-U 109-115 4" M8/10/½"							
2242379	MP-U 115-121 M8/10/½"							
2242380	MP-U 121-127 M8/10/½"							
2242235	MP-U 128-134 M8/10/½"							
2242332	MP-U 135-141 5" M8/10/½"							
2305357	MP-U 141-147 M8/10/½"							

**Bezeichnung**

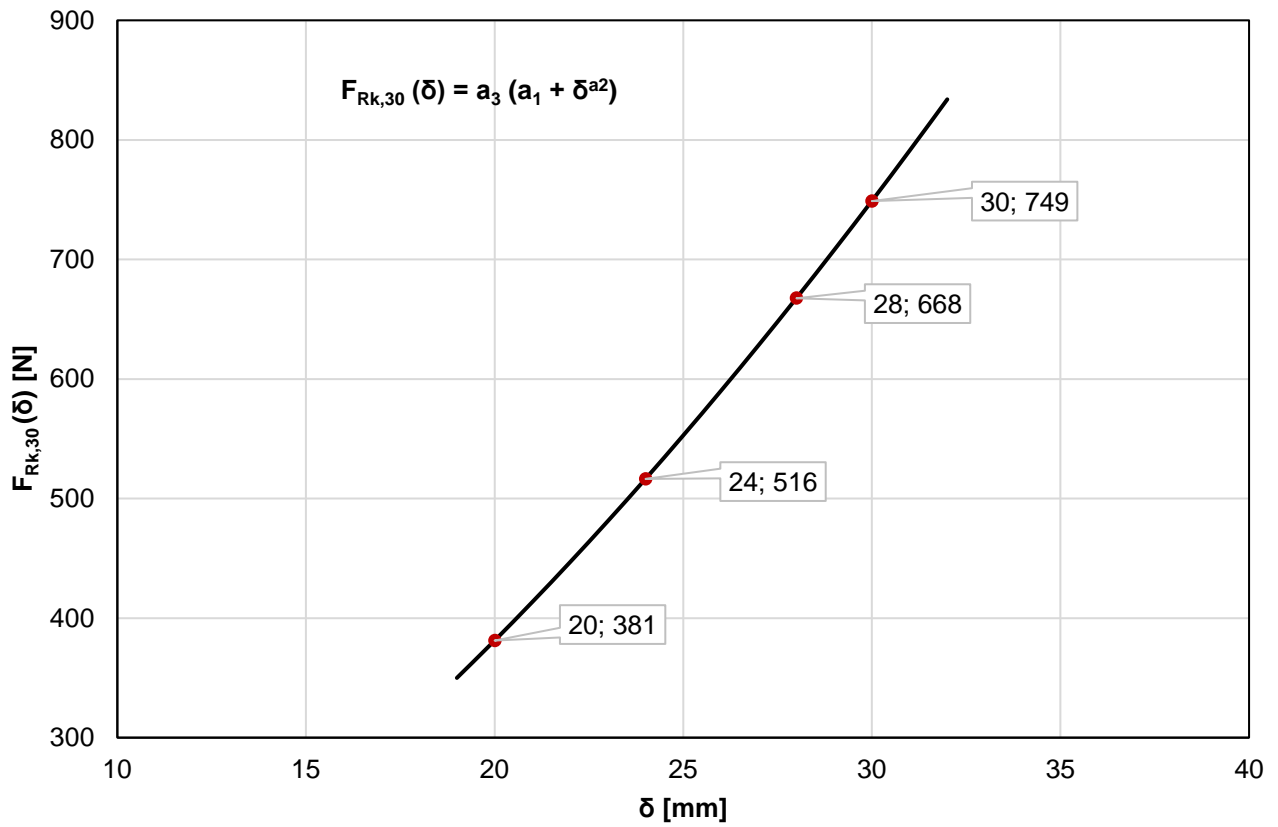
- δ Verformung
- δ<sub>max,t</sub> Maximale Verformung nach einer Expositionsdauer ≤ t Minuten unter Brandbeanspruchung
- F<sub>Rk,30</sub>(δ) Lastabhängige Verformung nach einer Expositionsdauer t = 30 Minuten unter Brandbeanspruchung

**Rohrschellen Hilti Ultimate MP-U, MP-U-I und MP-U-G**

**Last-Verformungsfunktion und Verformungen unter Brandbeanspruchung für Rohrschellen Hilti Ultimate MP-U-I 97-103 – MP-U-I 135-141 und MP-U 102-108 – MP-U 141-147**

**Anhang D23**

Abbildung D12: Regressionskurve gemäß Tabelle D12



Rohrschellen Hilti Ultimate MP-U, MP-U-I und MP-U-G

Last-Verformungsfunktions und Verformungen unter Brandbeanspruchung für Rohrschellen Hilti Ultimate MP-U-I 97-103 – MP-U-I 135-141 und MP-U 102-108 – MP-U 141-147

Anhang D24

**Tabelle D13: Widerstand  $F_{Rk,t}$  der Rohrschellen Hilti Ultimate MP-U-I 141-147 – MP-U-I 165-170 und MP-U 147-153 – MP-U 170-176 unter Brandbeanspruchung nach t = 30, 60 und 90 Minuten**

Artikelnummer	Bezeichnung	Parameter der Regressionskurve	$F_{Rk,t}$ [N]		
		$F_{Rk}(t) = c_3 (c_1 + c_2 / t)$	$F_{Rk,30}$	$F_{Rk,60}$	$F_{Rk,90}$
2305366	MP-U-I 141-147 M8/10	$c_1 = 150,3069$ $c_2 = 29298,0467$ $c_3 = 0,881442$ $27 \text{ min} \leq t \leq 112 \text{ min}$	993,3	562,9	419,4
2305367	MP-U-I 147-153 M8/10				
2305368	MP-U-I 154-160 M8/10				
2305369	MP-U-I 160-166 6" M8/10				
2305370	MP-U-I 164-170 M8/10				
2305352	MP-U 147-153 M8/10				
2305353	MP-U 153-159 M8/10				
2305354	MP-U 160-166 6" M8/10				
2305355	MP-U 166-172 M8/10				
2305356	MP-U 170-176 M8/10				

**Bezeichnung**

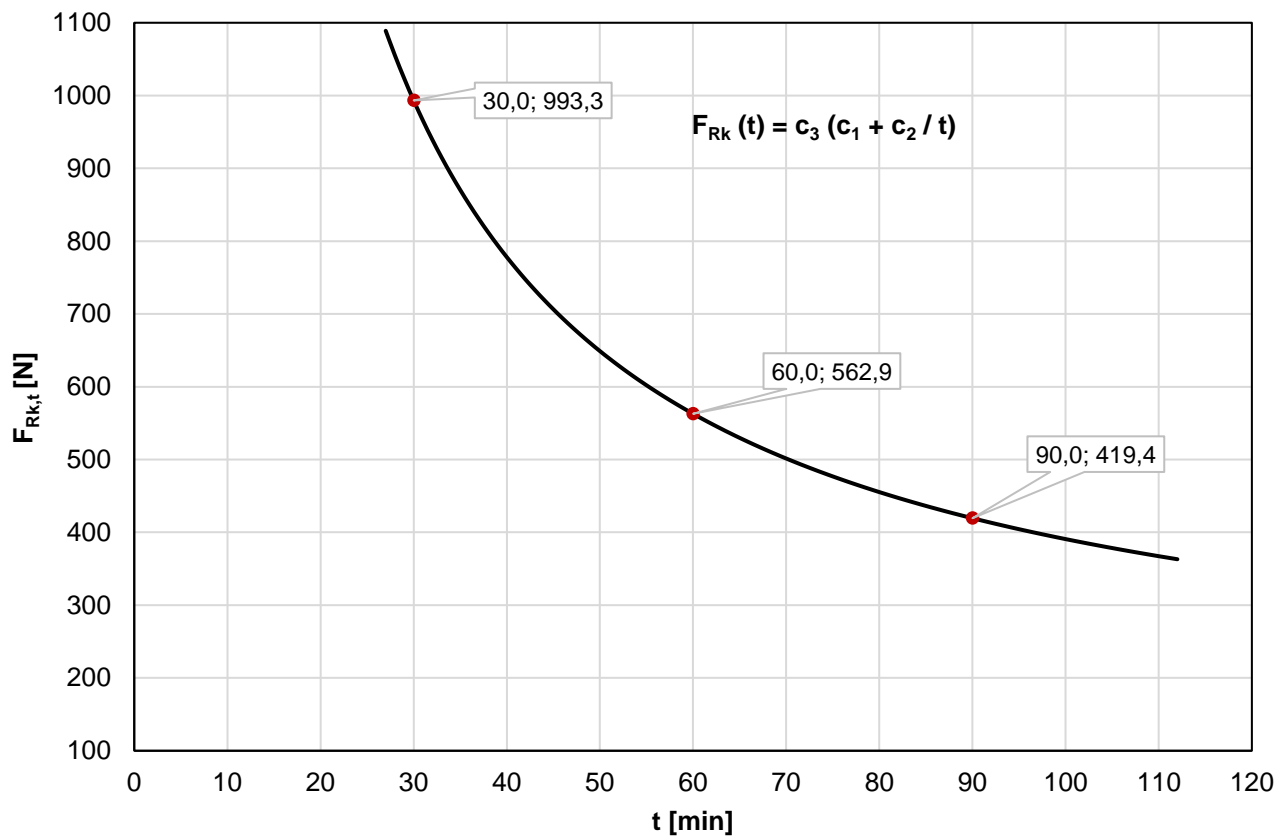
$F_{Rk,t}$  Widerstand nach einer Expositionsdauer t unter Brandbeanspruchung [N]  
 $F_{Rk}(t)$  Zeitabhängiger Widerstand bei Brandbeanspruchung [N]

Rohrschellen Hilti Ultimate MP-U, MP-U-I und MP-U-G

Widerstand unter Brandbeanspruchung für Rohrschellen Hilti Ultimate MP-U-I 141-147 – MP-U-I 165-170 und MP-U 147-153 – MP-U 170-176

Anhang D25

Abbildung D13: Regressionskurve gemäß Tabelle D13



Rohrschellen Hilti Ultimate MP-U, MP-U-I und MP-U-G

Widerstand unter Brandbeanspruchung für Rohrschellen Hilti Ultimate  
MP-U-I 141-147 – MP-U-I 165-170 und MP-U 147-153 – MP-U 170-176

Anhang D26

**Tabelle D14: Widerstand  $F_{Rk,t}$  der Rohrschellen Hilti Ultimate MP-U-I 141-147 – MP-U-I 165-170 und MP-U 147-153 – MP-U 170-176 unter Brandbeanspruchung nach  $t = 30, 60$  und  $90$  Minuten**

Artikelnummer	Bezeichnung	Parameter der Regressionskurve	$F_{Rk,t}$ [N]		
		$F_{Rk}(t) = c_3 (c_1 + c_2 / t)$	$F_{Rk,30}$	$F_{Rk,60}$	$F_{Rk,90}$
2305378	MP-U-I 141-147 M8/10/O16	$c_1 = 150,3069$ $c_2 = 23435,1849$ $c_3 = 0,881442$ $27 \text{ min} \leq t \leq 112 \text{ min}$	821,1	476,8	362,0
2305379	MP-U-I 147-153 M8/10/O16				
2305380	MP-U-I 154-160 M8/10/O16				
2305381	MP-U-I 160-166 6" M8/10/O16				
2305382	MP-U-I 164-170 M8/10/O16				
2305372	MP-U-I 141-147 M8/10/1/2"				
2305373	MP-U-I 147-153 M8/10/1/2"				
2305374	MP-U-I 154-160 M8/10/1/2"				
2305375	MP-U-I 160-166 6" M8/10/1/2"				
2305376	MP-U-I 164-170 M8/10/1/2"				
2305358	MP-U 147-153 M8/10/1/2"				
2305359	MP-U 153-159 M8/10/1/2"				
2305360	MP-U 160-166 6" M8/10/1/2"				
2305361	MP-U 166-172 M8/10/1/2"				
2305362	MP-U 170-176 M8/10/1/2"				

**Bezeichnung**

$F_{Rk,t}$  Widerstand nach einer Expositionsdauer  $t$  unter Brandbeanspruchung [N]  
 $F_{Rk}(t)$  Zeitabhängiger Widerstand bei Brandbeanspruchung [N]

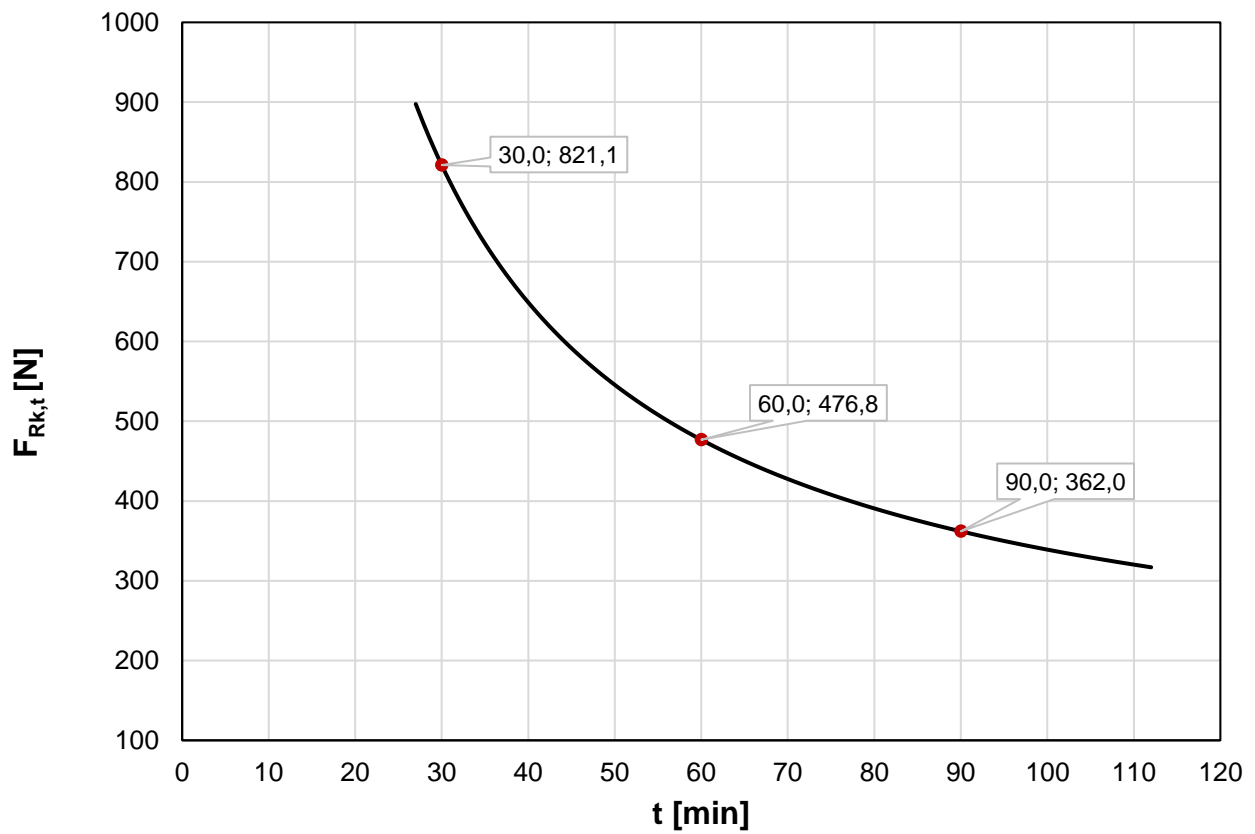
Rohrschellen Hilti Ultimate MP-U, MP-U-I und MP-U-G

Widerstand unter Brandbeanspruchung für Rohrschellen Hilti Ultimate MP-U-I 141-147 – MP-U-I 165-170 und MP-U 147-153 – MP-U 170-176

Anhang D27



Abbildung D14: Regressionskurve gemäß Tabelle D14



Rohrschellen Hilti Ultimate MP-U, MP-U-I und MP-U-G

Widerstand unter Brandbeanspruchung für Rohrschellen Hilti Ultimate  
MP-U-I 141-147 – MP-U-I 165-170 und MP-U 147-153 – MP-U 170-176

Anhang D28

**Tabelle D15: Last-Verformungsfunktion und Verformungen der Rohrschellen Hilti Ultimate MP-U-I 141-147 – MP-U-I 165-170 und MP-U 147-153 – MP-U 170-176 unter Brandbeanspruchung**

Artikelnummer	Bezeichnung	Parameter der Regressionskurve	$F_{Rk,30}(\delta)$ [N]				$\delta_{max,t}$ [mm]	
			$F_{Rk,30}(\delta) = a_3(a_1 + \delta^{a_2})$	$F_{Rk,30}(20)$	$F_{Rk,30}(30)$	$F_{Rk,30}(40)$	$F_{Rk,30}(50)$	$\delta_{max,60}$
2305366	MP-U-I 141-147 M8/10	$a_1 = 10,3048$ $a_2 = 1,2434$ $a_3 = 0,7472$ $19 \text{ mm} \leq \delta \leq 50 \text{ mm}$	319,3	528,5	755,8	997,5	56,4	61,1
2305367	MP-U-I 147-153 M8/10							
2305368	MP-U-I 154-160 M8/10							
2305369	MP-U-I 160-166 6" M8/10							
2305370	MP-U-I 164-170 M8/10							
2305352	MP-U 147-153 M8/10							
2305353	MP-U 153-159 M8/10							
2305354	MP-U 160-166 6" M8/10							
2305355	MP-U 166-172 M8/10							
2305356	MP-U 170-176 M8/10							
2305378	MP-U-I 141-147 M8/10/O16							
2305379	MP-U-I 147-153 M8/10/O16							
2305380	MP-U-I 154-160 M8/10/O16							
2305381	MP-U-I 160-166 6" M8/10/O16							
2305382	MP-U-I 164-170 M8/10/O16							
2305372	MP-U-I 141-147 M8/10/1/2"							
2305373	MP-U-I 147-153 M8/10/1/2"							
2305374	MP-U-I 154-160 M8/10/1/2"							
2305375	MP-U-I 160-166 6" M8/10/1/2"							
2305376	MP-U-I 164-170 M8/10/1/2"							
2305358	MP-U 147-153 M8/10/1/2"							
2305359	MP-U 153-159 M8/10/1/2"							
2305360	MP-U 160-166 6" M8/10/1/2"							
2305361	MP-U 166-172 M8/10/1/2"							
2305362	MP-U 170-176 M8/10/1/2"							

### Bezeichnung

$\delta$  Verformung

$\delta_{max,t}$  Maximale Verformung nach einer Expositionsdauer  $\leq t$  Minuten unter Brandbeanspruchung

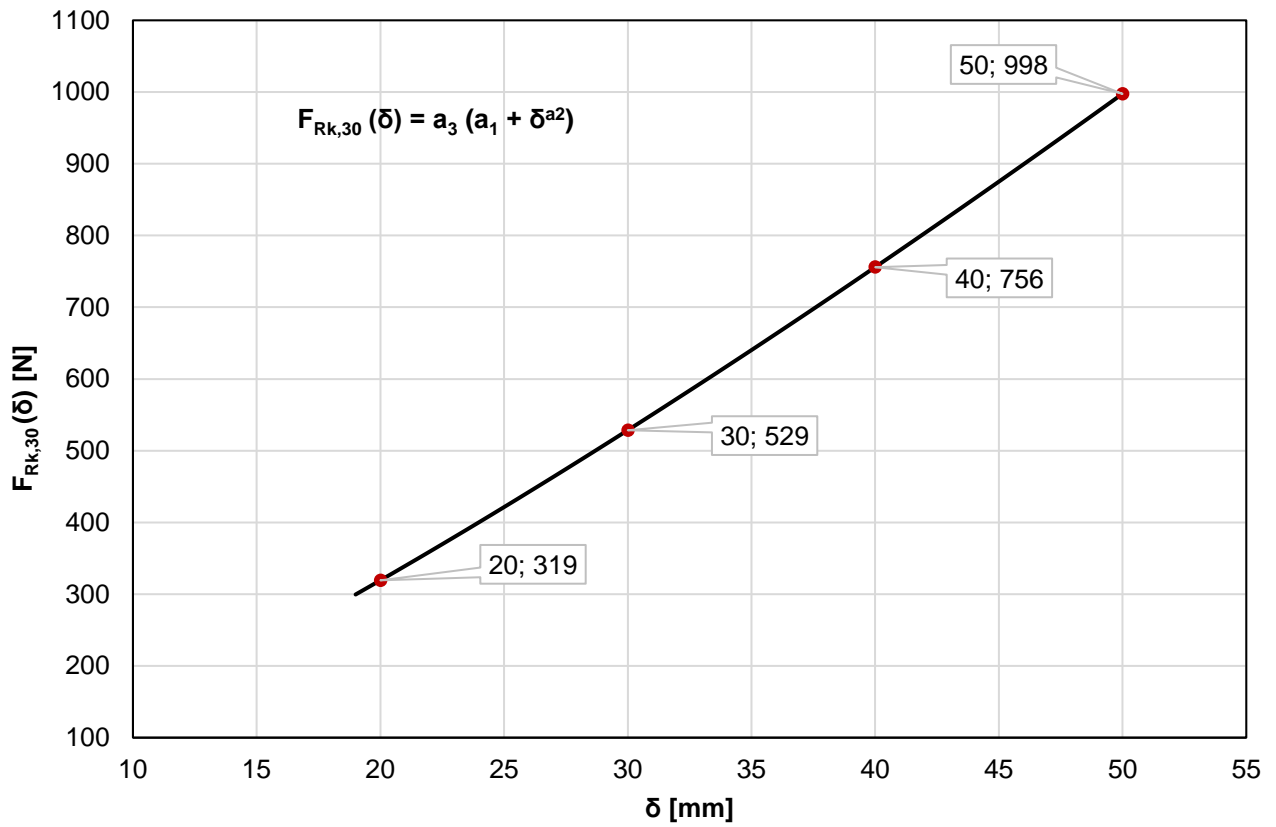
$F_{Rk,30}(\delta)$  Lastabhängige Verformung nach einer Expositionsdauer  $t = 30$  Minuten unter Brandbeanspruchung

Rohrschellen Hilti Ultimate MP-U, MP-U-I und MP-U-G

Last-Verformungsfunktionen und Verformungen unter Brandbeanspruchung für Rohrschellen Hilti Ultimate MP-U-I 141-147 – MP-U-I 165-170 und MP-U 147-153 – MP-U 170-176

Anhang D29

Abbildung D15: Regressionskurve gemäß Tabelle D15

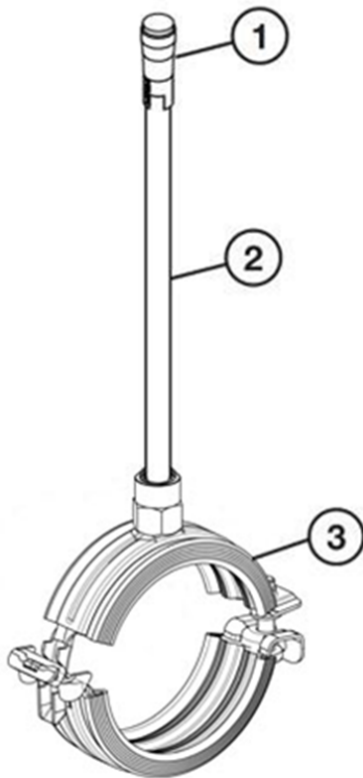


Rohrschellen Hilti Ultimate MP-U, MP-U-I und MP-U-G

Last-Verformungsfunktionen und Verformungen unter Brandbeanspruchung für Rohrschellen Hilti Ultimate MP-U-I 141-147 – MP-U-I 165-170 und MP-U 147-153 – MP-U 170-176

Anhang D30

Abbildung E1: Stückliste und Montageanweisung



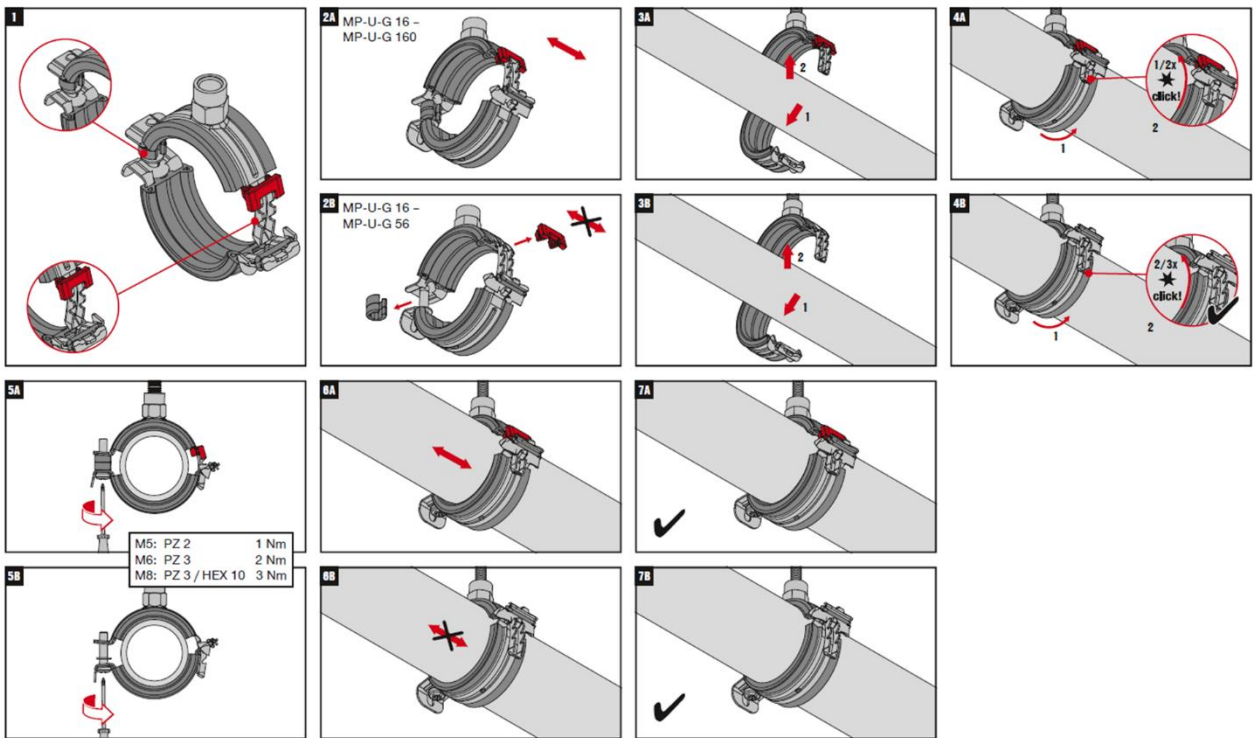
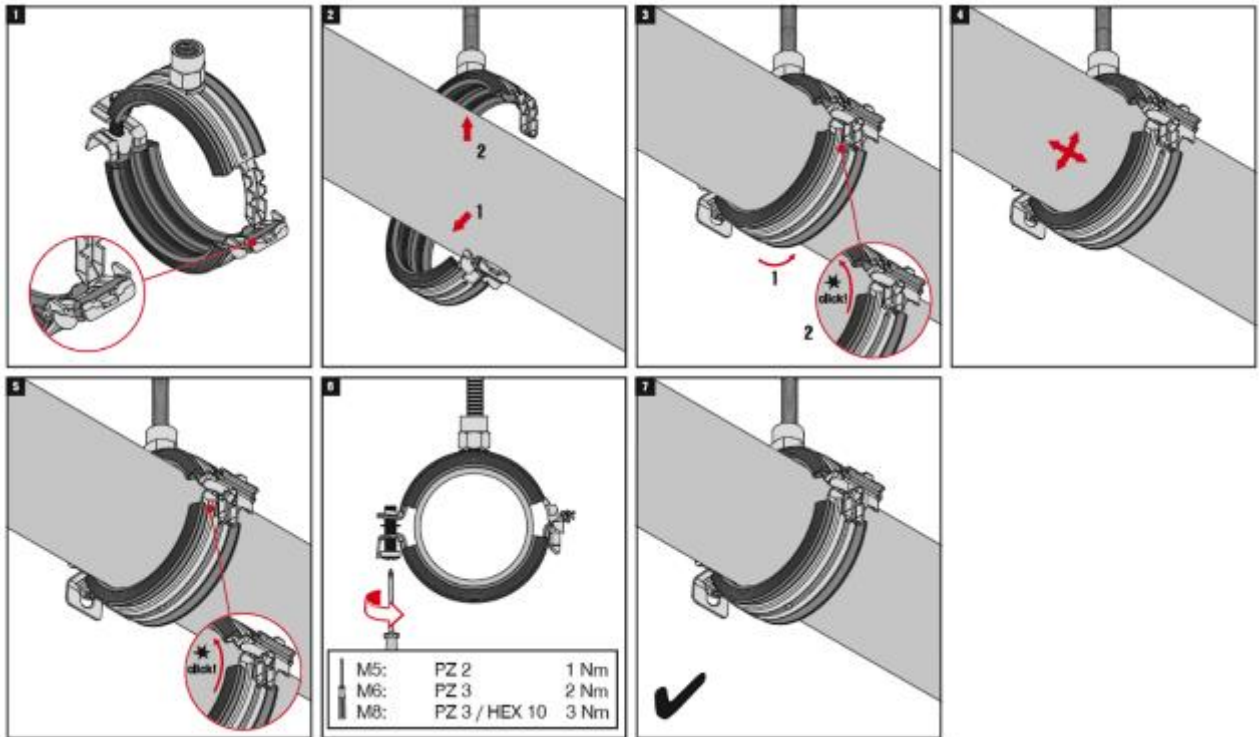
Bill of material					
Part of typical		Ref.	Opt.	Item No.	Description
Setup	Fixation	1	A	376967	HKD M10x40 drop-in anchor
		2	A*	339793	AM8x1000 4.8 threaded rod
				339794 216415	AM8x2000 4.8 threaded rod AM8x3000 4.8 threaded rod
2	B**	339795 216422 56428	AM10x1000 4.8 threaded rod AM16x2000 4.8 threaded rod GR-G 1/2"x2000 4.6 threaded rod		
Pipe clamp	M8	3	A*	2242237 - 2242239 2242250 - 2242256 2305363 - 2305364	MP-U M8
Pipe clamp	M8/10 M8/10/O16 M8/10/1/2"	3	A B C D E	2242258 - 2305376***	MP-U M8/10 MP-U M8/1/2" MP-U-I M8/10 MP-U-I M8/10/O16 MP-U-I M8/10/1/2"
Pipe clamp	M8/10	3	A*	2275028 - 2275041	MP-U-G M8/10

\* Only for use under ambient temperature  
 \*\* In case of fire  
 \*\*\* Excluding item no. 2275020 to 2274899

Rohrschellen Hilti Ultimate MP-U, MP-U-I und MP-U-G

Allgemeine Montageanweisungen

Anhang E1  
(zur Information)



Rohrschellen Hilti Ultimate MP-U, MP-U-I und MP-U-G

Allgemeine Montageanweisungen

Anhang E2  
(zur Information)



## Evaluation Technique Européenne

## ETE-20/0952 du 30/11/2022

(Version originale en langue française)

### Partie Générale

Nom commercial:	Colliers de serrage Hilti Ultimate MP-U-I, MP-U et MP-U-G
Famille de produit:	Produits pour systèmes d'installation pour le supportage des équipements techniques du bâtiment
Fabricant:	Hilti AG Liechtenstein Feldkircherstraße 100 9494 Schaan Liechtenstein
Usine de fabrication:	L 9295
Cette Evaluation Technique Européenne contient:	70 pages incluant 70 pages d'annexes qui font partie intégrante de cette évaluation
Cette Evaluation Technique Européenne est délivrée selon la Réglementation (EU) No 305/2011, sur la base de :	Document d'Evaluation Européen EAD 280016-00-0602 version August 2017
Cette version remplace:	ETA-20/0592 délivrée le 09/06/2021

*L'évaluation technique européenne est délivrée par l'organisme d'évaluation technique dans sa langue officielle. Les traductions de cette évaluation technique européenne dans d'autres langues doivent correspondre entièrement au document original délivré et doivent être identifiées comme telles. La communication de cette évaluation technique européenne, y compris la transmission par voie électronique, doit être complète. Une reproduction partielle ne peut être effectuée qu'avec le consentement écrit de l'organisme d'évaluation technique émetteur. Toute reproduction partielle doit être identifiée comme telle. Cette évaluation technique européenne peut être retirée par l'organisme d'évaluation technique qui l'a délivrée, en particulier sur information de la Commission conformément à l'article 25, paragraphe 3, du règlement (UE) no 305/2011.*

**Partie spécifique**

**1 Description technique du produit**

L'objet de cette Evaluation Technique Européenne sont les colliers de serrage Hilti Ultimate MP-U-I, MP-U et MP-U-G. Les colliers de serrage sont composés de deux bandes en acier profilées, conçues pour être capables d'encercler un tuyau. Les colliers de serrages sont reliés entre eux d'un côté par une vis en acier et de l'autre côté par un système de verrouillage par emboîtement. Les colliers de serrage ensèrent la paroi extérieure du tuyau et sont maintenus en place par une vis de serrage. A chaque collier de serrage correspond une gamme de tuyaux avec lesquels ils peuvent être utilisés. La partie supérieure du collier de serrage est équipée de têtes soudées permettant une connexion de type M8, M8/M10, M8/10/O16 ou M8/10/1/2".

Les faces internes des colliers de serrage MP-U-I sont équipés de profilés en TPE ayant pour rôle d'améliorer l'isolation phonique, d'équilibrer les contraintes et éviter une corrosion par contact.

Les faces internes des colliers de serrage MP-U-G sont équipés de profilés en EPDM ayant pour rôle de réduire les frottements, permettre le glissement des tuyaux causé par la dilatation thermique.

L'Annexe A décrit les dimensions et matériaux des colliers de serrage Hilti Ultimate MP-U-I, MP-U et MP-U-G. Les prérequis pour l'évaluation des performances sont donnés en Annexe B.

**2 Définition du domaine d'emploi**

Les performances données en Section 3 peuvent être envisagées si les colliers de serrage Hilti Ultimate MP-U, MP-U-I et MP-U-G sont utilisés en accord avec les spécifications et dans les conditions limites définies dans les Annexes A à D. Les essais et méthode d'évaluation sur lesquels cette Evaluation Technique Européenne mènent à considérer une durée de vie des colliers de serrage d'au moins 50 ans pour une utilisation dans des conditions intérieures et à température ambiante. Les indications données sur la durée de vie ne peuvent pas être interprétées comme une durée de vie garantie par le fabricant mais sont seulement données afin de permettre de choisir un produit adapté en relation avec une durée de vie économiquement raisonnable.

En accord avec le Document d'Evaluation Européen EAD 280016-00-0602, le produit peut être utilisé pour:

- a) installation comme support de kits de sprinklers;
- b) installation pour le supportage des équipements techniques du bâtiment-

**3 Performance du produit et références aux méthodes utilisées pour son évaluation**

**3.1 Sécurité en cas d'incendie (BWR 2)**

Caractéristique essentielle	Performance
Réaction au feu:	Classe A1
Resistance et déformations des colliers de serrage Hilti Ultimate MP-U-I M8/10, MP-U-I M8/10/O16, MP-U-I M8/10/1/2", MP-U M8/10 et MP-U M8/10/1/2" en cas d'incendie	voir Annexe D

**3.2 Sécurité et accessibilité en cours d'utilisation (BWR 4)**

Caractéristiques essentielles	Performance
Dimensions et matériaux des colliers de serrage Hilti Ultimate MP-U-I M8/10, MP-U-I M8/10/O16, MP-U-I M8/10/1/2", MP-U M8/10 et MP-U M8/10/1/2"	voir Annexe A
Caractéristiques des colliers de serrage Hilti Ultimate M8/10, MP-U M8/10/1/2", MP-U-G M8, MP-U-G M8/10 et MP-U-G M8/10/1/2" à température ambiante	voir Annexe C

**4 Système d'évaluation et de vérification de la constance des performances (AVCP) appliqué, avec référence à sa base légale**

Conformément au Document d'Evaluation Européen EAD 280016-00-0602, les bases juridiques suivantes s'appliquent:

- En cas de domaine d'emploi a) prévu en Section 2:  
Décision de la commission N° 96/577/EC telle que modifiée par la Décision 2002/592/EC. de la Commission:  
Le système 1 s'applique pour l'évaluation et la vérification de la constance des performances (AVCP).
- En cas de domaine d'emploi a) prévu en Section 2:  
Décision de la commission N° 97/161/EC:  
Le système 2+ s'applique pour l'évaluation et la vérification de la constance des performances (AVCP).

Décision de la commission N° 1999/472/EC telle que modifiée par la Décision 2001/596/EC. De la Commission:  
System 3 s'applique pour l'évaluation et la vérification de la constance des performances (AVCP).

**5 Détails techniques nécessaires à la mise en place du système AVCP, tels que proposés dans l'EAD applicable**

Les détails techniques nécessaires à la mise en œuvre du système d'évaluation et de vérification de la constance des performances sont précisés dans le plan de contrôle (partie confidentielle de cet Avis Technique Européen) déposé au Centre Scientifique et Technique du Bâtiment.

Le fabricant doit, sur la base d'un contrat, impliquer un organisme notifié agréé dans le domaine des canaux d'ancrage pour la délivrance du certificat de conformité CE basé sur le plan de contrôle.

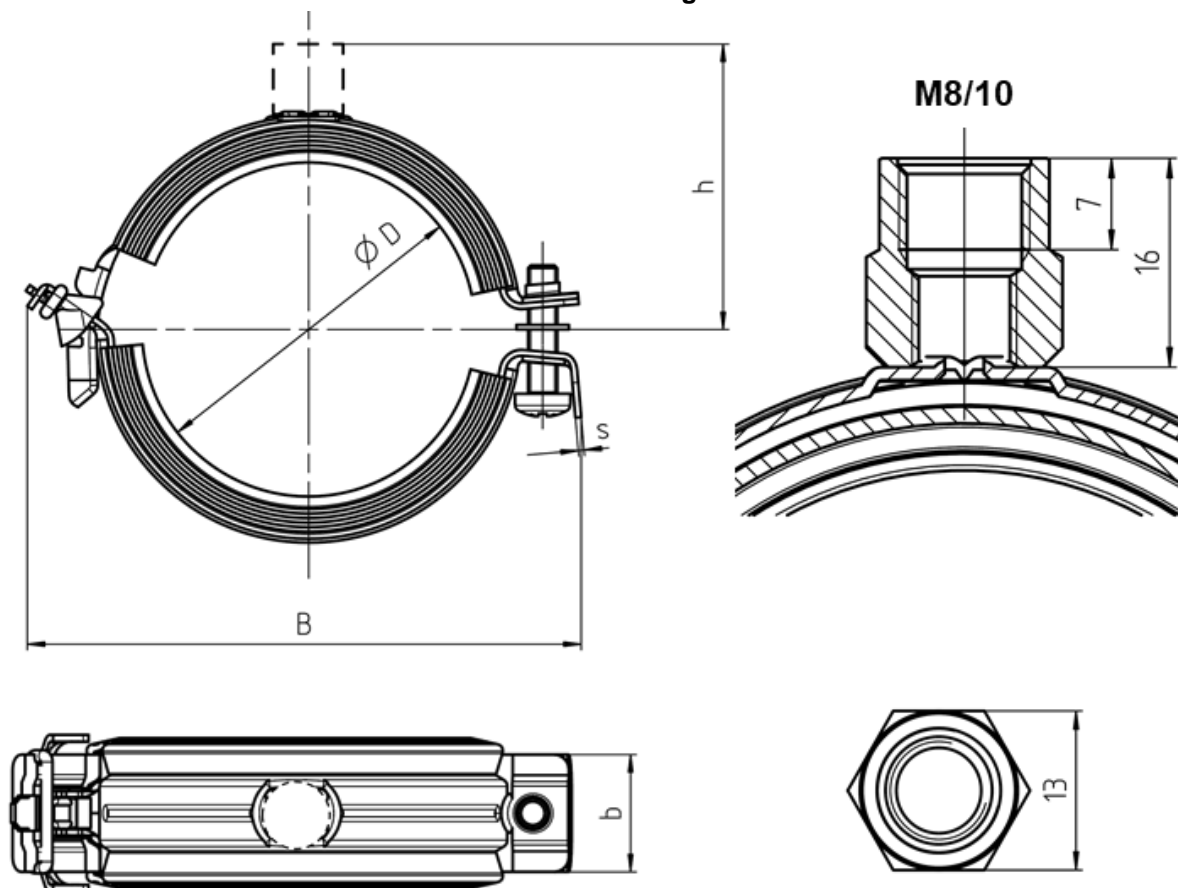
Délivré à Marne La Vallée le 30/11/2022 par

La Cheffe de division,  
Anca CRONOPOL





Figure A1: Géométrie et dimensions des colliers de serrage Hilti Ultimate MP-U-I M8/10



Dimensions en mm

Tableau A1: Matériaux des colliers de serrage Hilti Ultimate MP-U-I M8/10

Composants du collier	Matériaux
Cerclage	DC01 selon l'EN 10130 pour une bande de 1,0 mm DD11 MOD 360 selon l'EN 10111 pour des bandes de 1,5 mm, 1,8 mm et 2,0 mm
Tête de connexion	Classe $\geq 5$ selon l'ISO 898-2
Vis de serrage M5, M6, M8	Classe de résistance $\geq 4,8$ selon l'EN ISO 7045
Plat	DC01 selon l'EN 10130 pour les plats de 1,2 mm DD11 MOD 360 selon l'EN 10111 pour les plats de 1,8 mm, 2,0 mm
Rondelle	HDPE
Joint torique	EPDM / NBR
Couche d'élastomère	TPE

Colliers de serrage Hilti Ultimate MP-U, MP-U-I et MP-U-G

Description du produit  
Dimensions et matériaux

Annexe A1

Tableau A2: Dimensions et couples de serrage de colliers de serrage MP-U-I M8/10

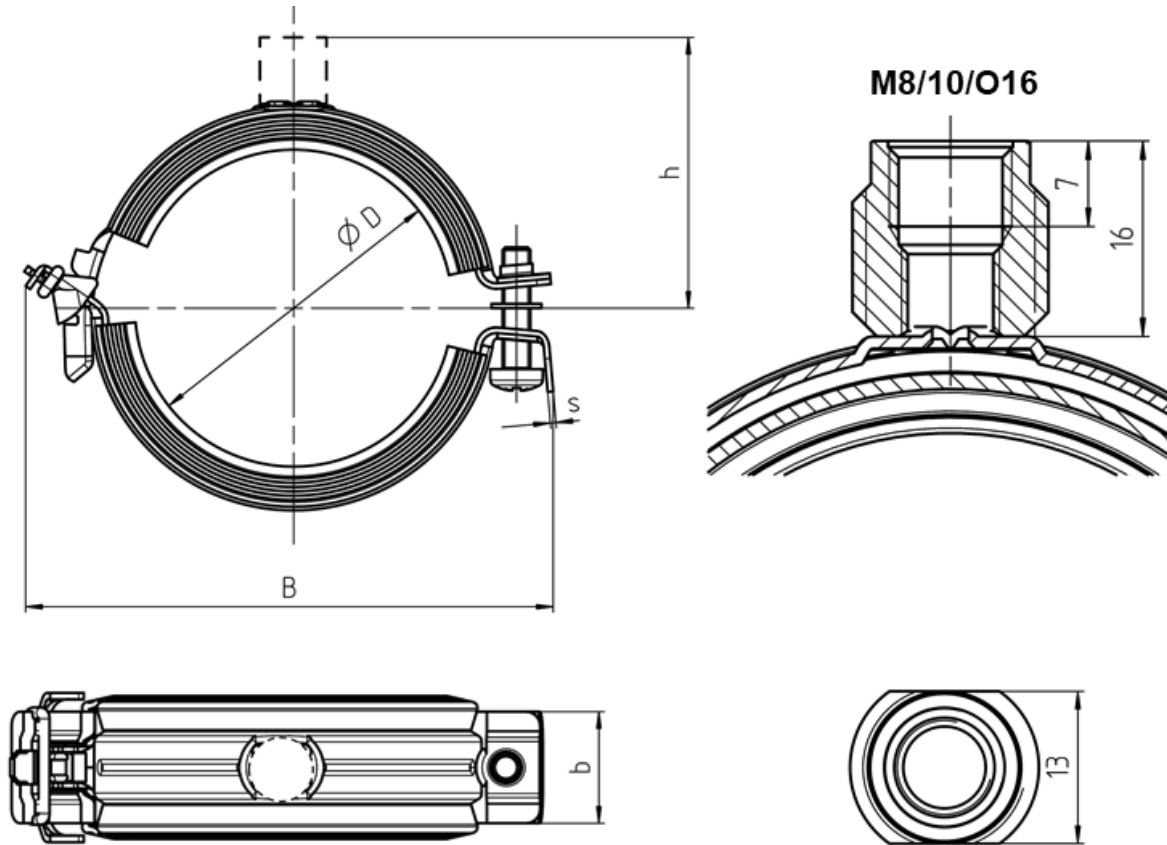
Numéro de l'élément	Désignation	D [mm]	B [mm]	b x s [mm]	h [mm]	No. dent	Couple de serrage [Nm]	Taille de la vis
2242258	MP-U-I 9-13 1/8" M8/10	13	46	20x1,0	28	2	1	M5x18
2242259	MP-U-I 13-17 1/4" M8/10	17	49	20x1,0	29	2	1	M5x18
2242260	MP-U-I 17-21 3/8" M8/10	21	53	20x1,0	31	2	1	M5x18
2242261	MP-U-I 21-25 1/2" M8/10	25	56	20x1,0	34	3	1	M5x22
2242262	MP-U-I 25-29 3/4" M8/10	29	62	20x1,0	36	3	1	M5x22
2242263	MP-U-I 29-33 M8/10	33	66	20x1,0	38	3	1	M5x22
2242264	MP-U-I 33-37 1" M8/10	37	70	20x1,0	40	3	1	M5x22
2242265	MP-U-I 37-42 M8/10	42	75	20x1,0	43	3	1	M5x22
2242266	MP-U-I 42-47 1 1/4" M8/10	47	80	20x1,0	45	3	1	M5x22
2242267	MP-U-I 47-52 1 1/2" M8/10	52	85	20x1,0	48	3	1	M5x22
2242268	MP-U-I 52-57 M8/10	57	90	20x1,0	50	3	1	M5x22
2242269	MP-U-I 57-62 2" M8/10	62	95	20x1,0	53	3	1	M5x22
2242270	MP-U-I 62-67 M8/10	67	110	24x1,5	56	3	2	M6x30
2242271	MP-U-I 67-72 M8/10	72	115	24x1,5	58	3	2	M6x30
2242272	MP-U-I 72-77 2 1/2" M8/10	77	120	24x1,5	61	3	2	M6x30
2242273	MP-U-I 78-84 M8/10	84	127	24x1,5	64	3	2	M6x30
2242274	MP-U-I 84-90 3" M8/10	90	133	24x1,5	67	3	2	M6x30
2242275	MP-U-I 90-96 M8/10	96	139	24x1,5	70	3	2	M6x30
2242276	MP-U-I 97-103 M8/10	103	152	24x1,8	74	3	3	M8x35
2242277	MP-U-I 103-109 M8/10	109	160	24x1,8	78	3	3	M8x35
2242278	MP-U-I 109-115 4" M8/10	115	166	24x1,8	81	3	3	M8x35
2242279	MP-U-I 115-121 M8/10	121	172	24x1,8	84	3	3	M8x35
2242280	MP-U-I 122-128 M8/10	128	179	24x1,8	87	3	3	M8x35
2242281	MP-U-I 129-135 M8/10	135	186	24x1,8	91	3	3	M8x35
2305365	MP-U-I 135-141 5" M8/10	141	192	24x1,8	94	3	3	M8x35
2305366	MP-U-I 141-147 M8/10	147	201	24x2,0	97	3	3	M8x35
2305367	MP-U-I 147-153 M8/10	153	207	24x2,0	100	3	3	M8x35
2305368	MP-U-I 154-160 M8/10	160	214	24x2,0	103	3	3	M8x35
2305369	MP-U-I 160-166 6" M8/10	166	220	24x2,0	106	3	3	M8x35
2305370	MP-U-I 164-170 M8/10	170	224	24x2,0	108	3	3	M8x35

Colliers de serrage Hilti Ultimate MP-U, MP-U-I et MP-U-G

Description du produit  
Dimensions

Annexe A2

Figure A2: Géométrie et dimensions des colliers de serrage Hilti Ultimate MP-U-I M8/10/O16



Dimensions en mm

Tableau A3: Matériaux des colliers de serrage Hilti Ultimate MP-U-I M8/10/O16

Composants du collier	Matériaux
Cerclage	DC01 selon l'EN 10130 pour une bande de 1,0 mm DD11 MOD 360 selon l'EN 10111 pour des bandes de 1,5 mm, 1,8 mm et 2,0 mm
Tête de connexion	Classe $\geq 5$ selon l'ISO 898-2
Vis de serrage M5, M6, M8	Classe de résistance $\geq 4.8$ selon l'EN ISO 7045
Plat	DC01 selon l'EN 10130 pour les plats de 1,2 mm DD11 MOD 360 selon l'EN 10111 pour les plats de 1,8 mm, 2,0 mm
Rondelle	HDPE
Joint torique	EPDM / NBR
Couche d'élastomère	TPE

Colliers de serrage Hilti Ultimate MP-U, MP-U-I et MP-U-G

Description du produit  
Dimensions et matériaux

Annexe A3

**Tableau A4: Dimensions et couples de serrage de colliers de serrage MP-U-I M8/10/O16**

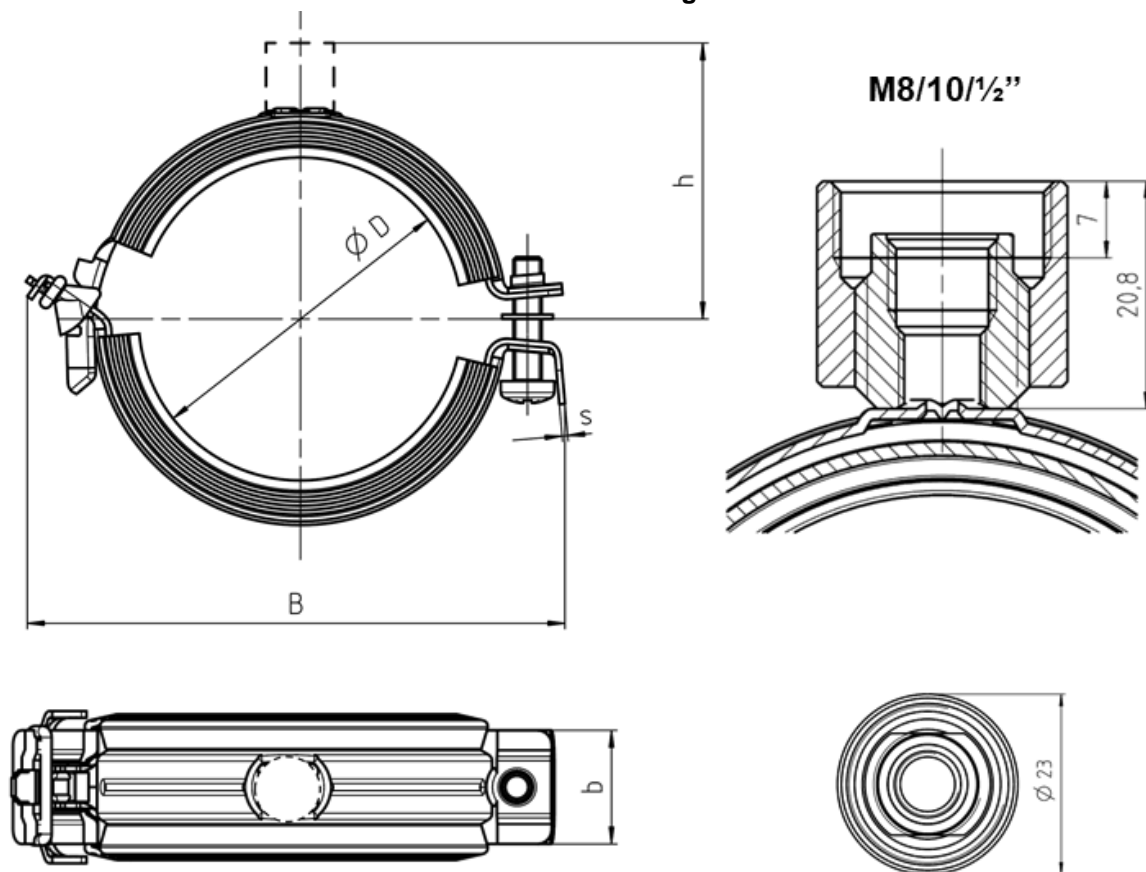
Numéro de l'élément	Désignation	D [mm]	B [mm]	b x s [mm]	h [mm]	No. dent	Couple de serrage [Nm]	Taille de la vis
2242308	MP-U-I 9-13 1/8" M8/10/O16	13	46	20x1,0	28	2	1	M5x18
2242309	MP-U-I 13-17 1/4" M8/10/O16	17	49	20x1,0	29	2	1	M5x18
2242310	MP-U-I 17-21 3/8" M8/10/O16	21	53	20x1,0	31	2	1	M5x18
2242311	MP-U-I 21-25 1/2" M8/10/O16	25	56	20x1,0	34	3	1	M5x22
2242312	MP-U-I 25-29 3/4" M8/10/O16	29	62	20x1,0	36	3	1	M5x22
2242313	MP-U-I 29-33 M8/10/O16	33	66	20x1,0	38	3	1	M5x22
2242314	MP-U-I 33-37 1" M8/10/O16	37	70	20x1,0	40	3	1	M5x22
2242315	MP-U-I 37-42 M8/10/O16	42	75	20x1,0	43	3	1	M5x22
2242316	MP-U-I 42-47 1 1/4" M8/10/O16	47	80	20x1,0	45	3	1	M5x22
2242317	MP-U-I 47-52 1 1/2" M8/10/O16	52	85	20x1,0	48	3	1	M5x22
2242318	MP-U-I 52-57 M8/10/O16	57	90	20x1,0	50	3	1	M5x22
2242319	MP-U-I 57-62 2" M8/10/O16	62	95	20x1,0	53	3	1	M5x22
2242320	MP-U-I 62-67 M8/10/O16	67	110	24x1,5	56	3	2	M6x30
2242321	MP-U-I 67-72 M8/10/O16	72	115	24x1,5	58	3	2	M6x30
2242322	MP-U-I 72-77 2 1/2" M8/10/O16	77	120	24x1,5	61	3	2	M6x30
2242323	MP-U-I 78-84 M8/10/O16	84	127	24x1,5	64	3	2	M6x30
2242324	MP-U-I 84-90 3" M8/10/O16	90	133	24x1,5	67	3	2	M6x30
2242325	MP-U-I 90-96 M8/10/O16	96	139	24x1,5	70	3	2	M6x30
2242326	MP-U-I 97-103 M8/10/O16	103	152	24x1,8	74	3	3	M8x35
2242327	MP-U-I 103-109 M8/10/O16	109	160	24x1,8	78	3	3	M8x35
2242328	MP-U-I 109-115 4" M8/10/O16	115	165	24x1,8	81	3	3	M8x35
2242329	MP-U-I 115-121 M8/10/O16	121	172	24x1,8	84	3	3	M8x35
2242330	MP-U-I 122-128 M8/10/O16	128	179	24x1,8	87	3	3	M8x35
2242331	MP-U-I 129-135 M8/10/O16	135	186	24x1,8	91	3	3	M8x35
2305377	MP-U-I 135-141 5" M8/10/O16	141	192	24x1,8	94	3	3	M8x35
2305378	MP-U-I 141-147 M8/10/O16	147	201	24x2,0	97	3	3	M8x35
2305379	MP-U-I 147-153 M8/10/O16	153	207	24x2,0	100	3	3	M8x35
2305380	MP-U-I 154-160 M8/10/O16	160	214	24x2,0	103	3	3	M8x35
2305381	MP-U-I 160-166 6" M8/10/O16	166	220	24x2,0	106	3	3	M8x35
2305382	MP-U-I 164-170 M8/10/O16	170	224	24x2,0	108	3	3	M8x35

**Colliers de serrage Hilti Ultimate MP-U, MP-U-I et MP-U-G**

**Description du produit**  
Dimensions

**Annexe A4**

Figure A3: Géométrie et dimensions des colliers de serrage Hilti Ultimate MP-U-I M8/10 1/2"



Dimensions en mm

Tableau A5: Matériaux des colliers de serrage Hilti Ultimate MP-U-I M8/10 1/2"

Composants du collier	Matériaux
Cerclage	DC01 selon l'EN 10130 pour une bande de 1,0 mm DD11 MOD 360 selon l'EN 10111 pour des bandes de 1,5 mm, 1,8 mm et 2,0 mm
Tête de connexion	Classe $\geq 5$ selon l'ISO 898-2
Vis de serrage M5, M6, M8	Classe de résistance $\geq 4.8$ selon l'EN ISO 7045
Plat	DC01 selon l'EN 10130 pour les plats de 1,2 mm DD11 MOD 360 selon l'EN 10111 pour les plats de 1,8 mm, 2,0 mm
Rondelle	HDPE
Joint torique	EPDM / NBR
Couche d'élastomère	TPE

Colliers de serrage Hilti Ultimate MP-U, MP-U-I et MP-U-G

Description du produit  
Dimensions et matériaux

Annexe A5

**Tableau A6: Dimensions et couples de serrage de colliers de serrage MP-U-I M8/10/1/2"**

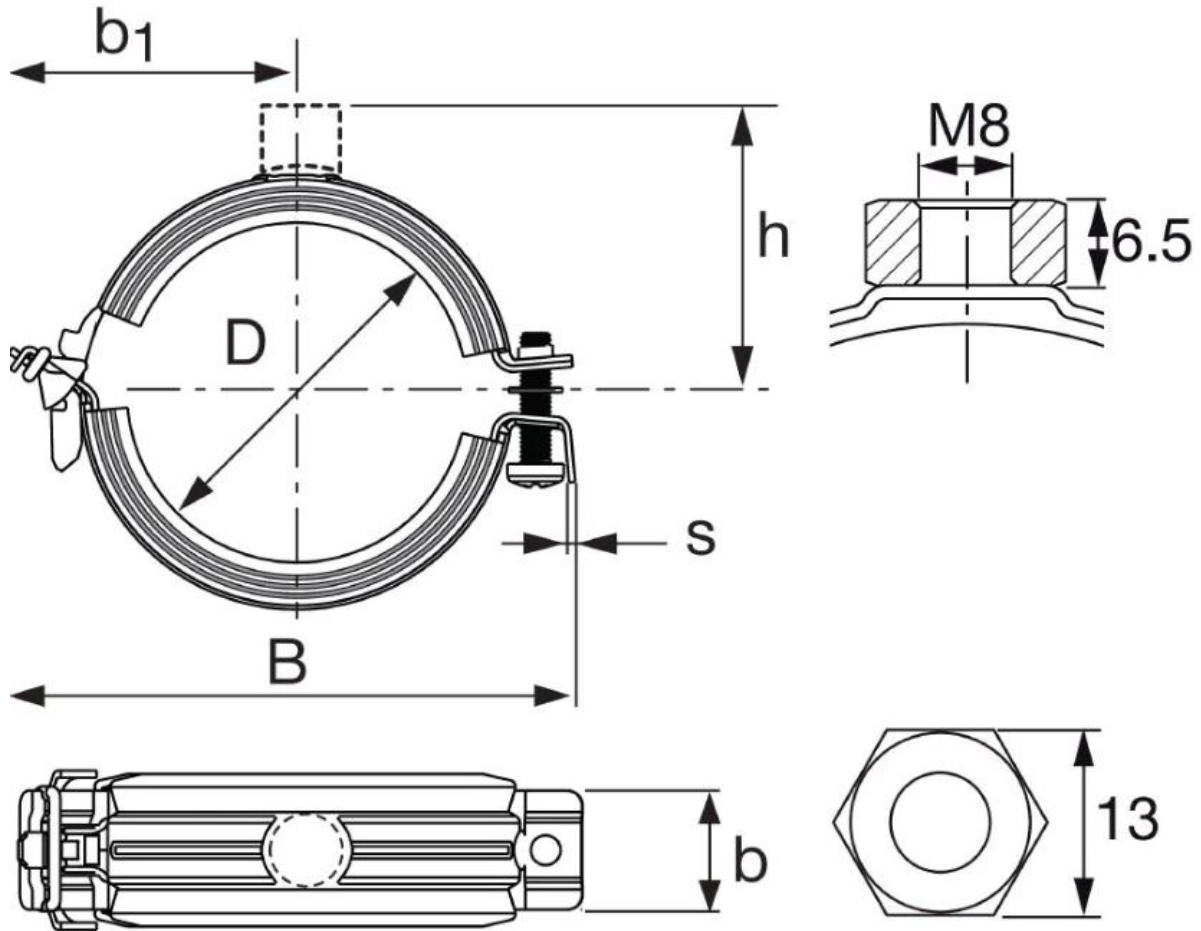
Numéro de l'élément	Désignation	D [mm]	B [mm]	b x s [mm]	h [mm]	No. dent	Couple de serrage [Nm]	Taille de la vis
2242283	MP-U-I 9-13 1/8" M8/10/1/2"	13	46	20x1,0	32	2	1	M5x18
2242284	MP-U-I 13-17 1/4" M8/10/1/2"	17	49	20x1,0	34	2	1	M5x18
2242285	MP-U-I 17-21 3/8" M8/10/1/2"	21	53	20x1,0	36	2	1	M5x18
2242286	MP-U-I 21-25 1/2" M8/10/1/2"	25	56	20x1,0	38	3	1	M5x22
2242287	MP-U-I 25-29 3/4" M8/10/1/2"	29	62	20x1,0	41	3	1	M5x22
2242288	MP-U-I 29-33 M8/10/1/2"	33	66	20x1,0	43	3	1	M5x22
2242289	MP-U-I 33-37 1" M8/10/1/2"	37	70	20x1,0	45	3	1	M5x22
2242290	MP-U-I 37-42 M8/10/1/2"	42	75	20x1,0	47	3	1	M5x22
2242291	MP-U-I 42-47 1 1/4" M8/10/1/2"	47	80	20x1,0	50	3	1	M5x22
2242292	MP-U-I 47-52 1 1/2" M8/10/1/2"	52	85	20x1,0	52	3	1	M5x22
2242293	MP-U-I 52-57 M8/10/1/2"	57	90	20x1,0	55	3	1	M5x22
2242294	MP-U-I 57-62 2" M8/10/1/2"	62	95	20x1,0	57	3	1	M5x22
2242295	MP-U-I 62-67 M8/10/1/2"	67	110	24x1,5	61	3	2	M6x30
2242296	MP-U-I 67-72 M8/10/1/2"	72	115	24x1,5	63	3	2	M6x30
2242297	MP-U-I 72-77 2 1/2" M8/10/1/2"	77	120	24x1,5	66	3	2	M6x30
2242298	MP-U-I 78-84 M8/10/1/2"	84	127	24x1,5	69	3	2	M6x30
2242299	MP-U-I 84-90 3" M8/10/1/2"	90	133	24x1,5	72	3	2	M6x30
2242300	MP-U-I 90-96 M8/10/1/2"	96	139	24x1,5	75	3	2	M6x30
2242301	MP-U-I 97-103 M8/10/1/2"	103	152	24x1,8	79	3	3	M8x35
2242302	MP-U-I 103-109 M8/10/1/2"	109	160	24x1,8	82	3	3	M8x35
2242303	MP-U-I 109-115 4" M8/10/1/2"	115	166	24x1,8	85	3	3	M8x35
2242304	MP-U-I 115-121 M8/10/1/2"	121	172	24x1,8	88	3	3	M8x35
2242305	MP-U-I 122-128 M8/10/1/2"	128	179	24x1,8	92	3	3	M8x35
2242306	MP-U-I 129-135 M8/10/1/2"	135	186	24x1,8	95	3	3	M8x35
2305371	MP-U-I 135-141 5" M8/10/1/2"	141	192	24x1,8	98	3	3	M8x35
2305372	MP-U-I 141-147 M8/10/1/2"	147	201	24x2,0	101	3	3	M8x35
2305373	MP-U-I 147-153 M8/10/1/2"	153	207	24x2,0	104	3	3	M8x35
2305374	MP-U-I 154-160 M8/10/1/2"	160	214	24x2,0	108	3	3	M8x35
2305375	MP-U-I 160-166 6" M8/10/1/2"	166	220	24x2,0	111	3	3	M8x35
2305376	MP-U-I 164-170 M8/10/1/2"	170	224	24x2,0	113	3	3	M8x35

**Colliers de serrage Hilti Ultimate MP-U, MP-U-I et MP-U-G**

**Description du produit**  
Dimensions

**Annexe A6**

Figure A4: Géométrie et dimensions des colliers de serrage Hilti Ultimate MP-U-I M8



Dimensions in mm

Tableau A7: Matériaux des colliers de serrage Hilti Ultimate MP-U-I M8

Composants du collier	Matériaux
Cerclage	DC01 selon l'EN 10130 pour une bande de 1,0 mm DD11 MOD 360 selon l'EN 10111 pour des bandes de 1,5 mm, 1,8 mm et 2,0 mm
Tête de connexion	Classe $\geq 5$ selon l'ISO 898-2
Vis de serrage M5, M6, M8	Classe de résistance $\geq 4.8$ selon l'EN ISO 7045
Plat	DC01 selon l'EN 10130 pour les plats de 1,2 mm DD11 MOD 360 selon l'EN 10111 pour les plats de 1,8 mm, 2,0 mm
Rondelle	HDPE
Joint torique	EPDM / NBR
Couche d'élastomère	TPE

Colliers de serrage Hilti ultimate Hilti MP-U, MP-U-I et MP-U-G

Description du produit  
Dimensions et matériaux

Annexe A7

Tableau A8: Dimensions et couples de serrage de colliers de serrage MP-U-I M8

Numéro de l'élément	Désignation	D [mm]	B [mm]	b x s [mm]	h [mm]	No. dents	Couple de serrage [Nm]	Taille de la vis
2242237	MP-U-I 9-13 1/8" M8	13	46	20x1,0	18	2	1	M5x18
2242238	MP-U-I 13-17 1/4" M8	17	49	20x1,0	20	2	1	M5x18
2242239	MP-U-I 17-21 3/8" M8	21	53	20x1,0	22	2	1	M5x18
2242250	MP-U-I 21-25 1/2" M8	25	56	20x1,0	24	3	1	M5x22
2242251	MP-U-I 25-29 3/4" M8	29	62	20x1,0	27	3	1	M5x22
2242252	MP-U-I 29-33 M8	33	66	20x1,0	29	3	1	M5x22
2242253	MP-U-I 33-37 1" M8	37	70	20x1,0	31	3	1	M5x22
2242254	MP-U-I 37-42 M8	42	75	20x1,0	33	3	1	M5x22
2242255	MP-U-I 42-47 1 1/4" M8	47	80	20x1,0	36	3	1	M5x22
2242256	MP-U-I 47-52 1 1/2" M8	52	85	20x1,0	38	3	1	M5x22
2242263	MP-U-I 52-57 M8	57	90	20x1,0	41	3	1	M5x22
2242264	MP-U-I 57-62 2" M8	62	95	20x1,0	43	3	1	M5x22

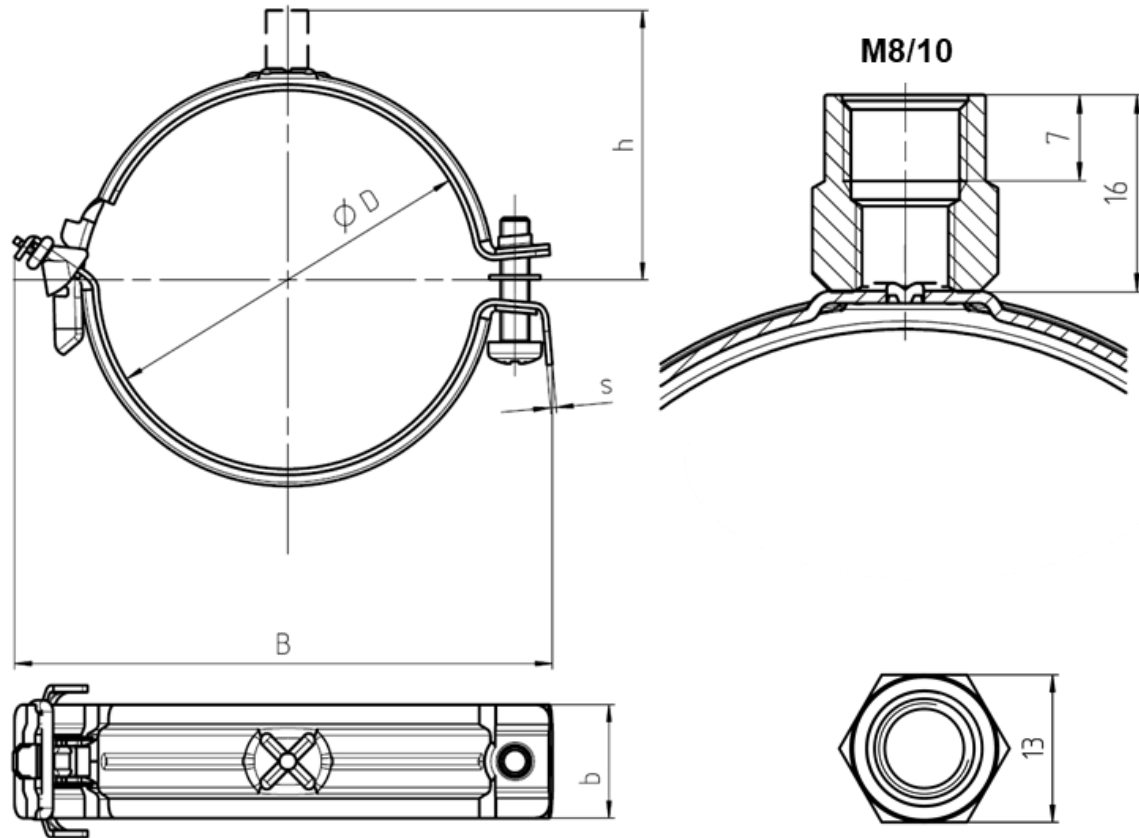
Colliers de serrage Hilti Ultimate MP-U, MP-U-I et MP-U-G

Product Description  
Dimensions

Annexe A8



Figure A5: Géométrie et dimensions des colliers de serrage Hilti Ultimate MP-U M8/10



Dimensions en mm

Tableau A9: Matériaux des colliers de serrage Hilti Ultimate MP-U M8/10

Composants du collier	Matériaux
Cerclage	DC01 selon l'EN 10130 pour une bande de 1,0 mm DD11 MOD 360 selon l'EN 10111 pour des bandes de 1,5 mm, 1,8 mm et 2,0 mm
Tête de connexion	Classe $\geq 5$ selon l'ISO 898-2
Vis de serrage M5, M6, M8	Classe de résistance $\geq 4.8$ selon l'EN ISO 7045
Plat	DC01 selon l'EN 10130 pour les plats de 1,2 mm DD11 MOD 360 selon l'EN 10111 pour les plats de 1,8 mm, 2,0 mm
Rondelle	HDPE
Joint torique	EPDM / NBR

Colliers de serrage Hilti Ultimate MP-U, MP-U-I et MP-U-G

Description du produit  
Dimensions et matériaux

Annexe A9

**Tableau A10: Dimensions et couples de serrage de colliers de serrage Hilti Ultimate MP-U M8/10**

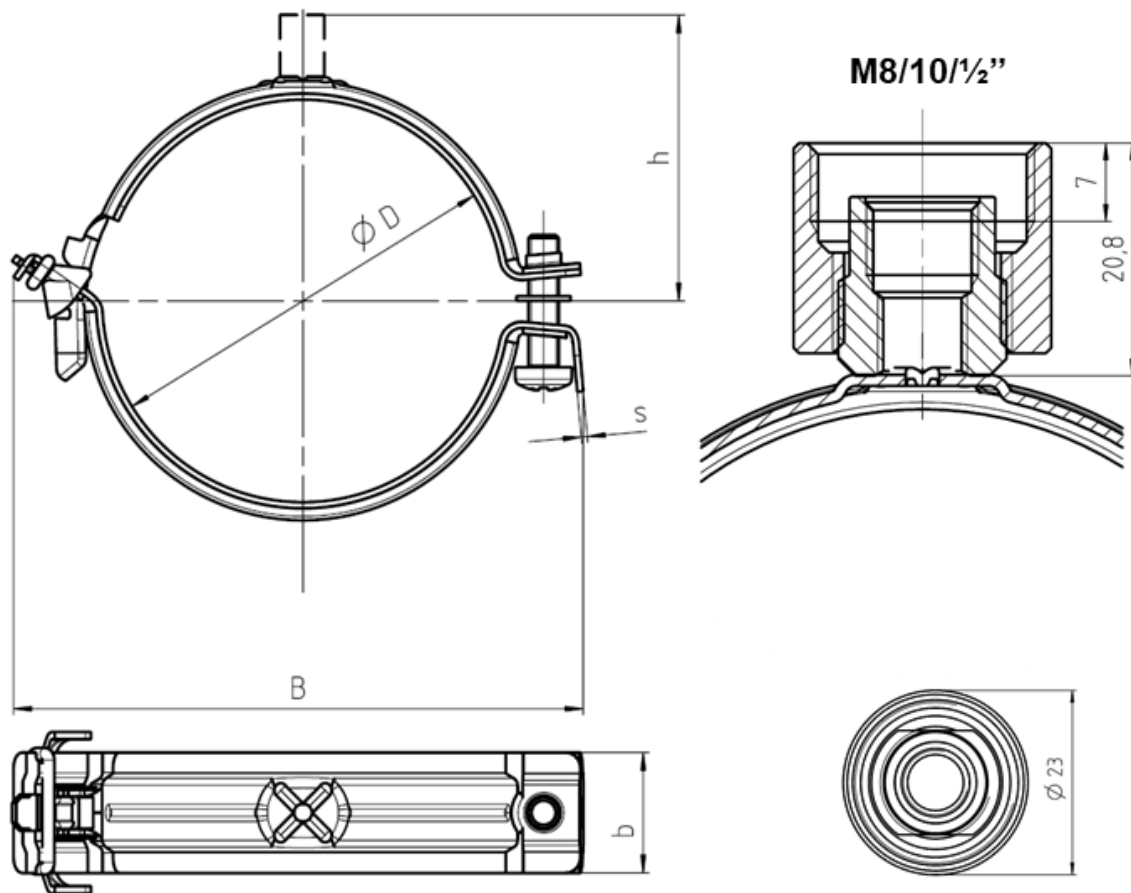
Numéro de l'élément	Désignation	D [mm]	B [mm]	b x s [mm]	h [mm]	No. dent	Couple de serrage [Nm]	Taille de la vis
2242334	MP-U 13-17 ¼" M8/10	17	46	20x1,0	28	2	1	M5x18
2242335	MP-U 16-20 3/8" M8/10	20	49	20x1,0	29	2	1	M5x18
2242336	MP-U 20-24 ½" M8/10	24	53	20x1,0	31	2	1	M5x18
2242337	MP-U 25-29 ¾" M8/10	29	56	20x1,0	34	3	1	M5x22
2242338	MP-U 30-34 1" M8/10	34	62	20x1,0	36	3	1	M5x22
2242339	MP-U 34-38 M8/10	38	66	20x1,0	38	3	1	M5x22
2242340	MP-U 38-42 M8/10	42	70	20x1,0	40	3	1	M5x22
2242341	MP-U 42-47 1 ¼" M8/10	47	75	20x1,0	43	3	1	M5x22
2242342	MP-U 47-52 1 ½" M8/10	52	80	20x1,0	45	3	1	M5x22
2242343	MP-U 52-57 M8/10	57	85	20x1,0	48	3	1	M5x22
2242344	MP-U 57-62 2" M8/10	62	90	20x1,0	50	3	1	M5x22
2242345	MP-U 62-67 M8/10	67	95	20x1,0	53	3	1	M5x22
2242346	MP-U 67-72 M8/10	72	110	24x1,5	56	3	2	M6x30
2242347	MP-U 72-77 2 ½" M8/10	77	115	24x1,5	58	3	2	M6x30
2242348	MP-U 77-82 M8/10	82	120	24x1,5	61	3	2	M6x30
2242349	MP-U 83-89 3" M8/10	89	127	24x1,5	64	3	2	M6x30
2242350	MP-U 89-95 M8/10	95	133	24x1,5	67	3	2	M6x30
2242351	MP-U 95-101 M8/10	101	139	24x1,5	70	3	2	M6x30
2242352	MP-U 102-108 M8/10	108	152	24x1,8	74	3	3	M8x35
2242353	MP-U 109-115 4" M8/10	115	160	24x1,8	78	3	3	M8x35
2242354	MP-U 115-121 M8/10	121	166	24x1,8	81	3	3	M8x35
2242355	MP-U 121-127 M8/10	127	172	24x1,8	84	3	3	M8x35
2242356	MP-U 128-134 M8/10	134	179	24x1,8	87	3	3	M8x35
2242357	MP-U 135-141 5" M8/10	141	186	24x1,8	91	3	3	M8x35
2305351	MP-U 141-147 M8/10	147	192	24x1,8	94	3	3	M8x35
2305352	MP-U 147-153 M8/10	153	201	24x2,0	97	3	3	M8x35
2305353	MP-U 153-159 M8/10	159	207	24x2,0	100	3	3	M8x35
2305354	MP-U 160-166 6" M8/10	166	214	24x2,0	103	3	3	M8x35
2305355	MP-U 166-172 M8/10	172	220	24x2,0	106	3	3	M8x35
2305356	MP-U 170-176 M8/10	176	224	24x2,0	108	3	3	M8x35

**Colliers de serrage Hilti Ultimate MP-U, MP-U-I et MP-U-G**

**Description du produit**  
Dimensions

**Annexe A10**

Figure A6: Géométrie et dimensions des colliers de serrage Hilti Ultimate MP-U M8/10 1/2"



Dimensions en mm

Tableau A11: Matériaux des colliers de serrage Hilti Ultimate MP-U M8/10 1/2"

Composants du collier	Matériaux
Cerclage	DC01 selon l'EN 10130 pour une bande de 1,0 mm DD11 MOD 360 selon l'EN 10111 pour des bandes de 1,5 mm, 1,8 mm et 2,0 mm
tête de connexion	Classe $\geq 5$ selon l'ISO 898-2
Vis de serrage M5, M6, M8	Classe de résistance $\geq 4.8$ selon l'EN ISO 7045
Plat	DC01 selon l'EN 10130 pour les plats de 1,2 mm DD11 MOD 360 selon l'EN 10111 pour les plats de 1,8 mm, 2,0 mm
Rondelle	HDPE
Joint torique	EPDM / NBR

Colliers de serrage Hilti Ultimate MP-U, MP-U-I et MP-U-G

Description du produit  
Dimensions et matériaux

Annexe A11

**Tableau A12: Dimensions et couples de serrage de colliers de serrage Hilti Ultimate MP-U M8/10/1/2"**

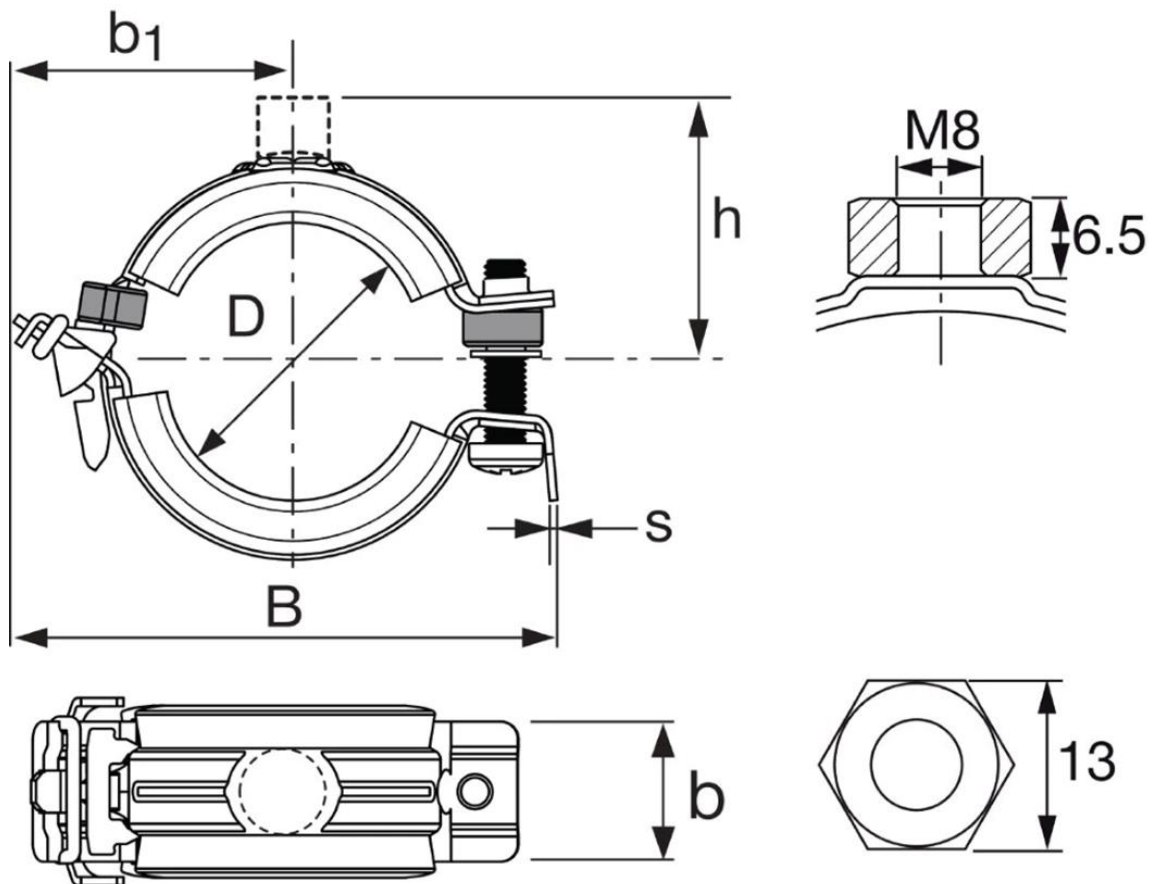
Numéro de l'élément	Désignation	D [mm]	B [mm]	b x s [mm]	h [mm]	No. dent	Couple de serrage [Nm]	Taille de la vis
2242359	MP-U 13-17 1/4" M8/10/1/2"	17	46	20x1,0	32	2	1	M5x18
2242360	MP-U 16-20 3/8" M8/10/1/2"	20	49	20x1,0	34	2	1	M5x18
2242361	MP-U 20-24 1/2" M8/10/1/2"	24	53	20x1,0	36	2	1	M5x18
2242362	MP-U 25-29 3/4" M8/10/1/2"	29	56	20x1,0	38	3	1	M5x22
2242363	MP-U 30-34 1" M8/10/1/2"	34	62	20x1,0	41	3	1	M5x22
2242364	MP-U 34-38 M8/10/1/2"	38	66	20x1,0	43	3	1	M5x22
2242365	MP-U 38-42 M8/10/1/2"	42	70	20x1,0	45	3	1	M5x22
2242366	MP-U 42-47 1 1/4" M8/10/1/2"	47	75	20x1,0	47	3	1	M5x22
2242367	MP-U 47-52 1 1/2" M8/10/1/2"	52	80	20x1,0	50	3	1	M5x22
2242368	MP-U 52-57 M8/10/1/2"	57	85	20x1,0	52	3	1	M5x22
2242369	MP-U 57-62 2" M8/10/1/2"	62	90	20x1,0	55	3	1	M5x22
2242370	MP-U 62-67 M8/10/1/2"	67	95	20x1,0	57	3	1	M5x22
2242371	MP-U 67-72 M8/10/1/2"	72	110	24x1,5	61	3	2	M6x30
2242372	MP-U 72-77 2 1/2" M8/10/1/2"	77	115	24x1,5	63	3	2	M6x30
2242373	MP-U 77-82 M8/10/1/2"	82	120	24x1,5	66	3	2	M6x30
2242374	MP-U 83-89 3" M8/10/1/2"	89	127	24x1,5	69	3	2	M6x30
2242375	MP-U 89-95 M8/10/1/2"	95	133	24x1,5	72	3	2	M6x30
2242376	MP-U 95-101 M8/10/1/2"	101	139	24x1,5	75	3	2	M6x30
2242377	MP-U 102-108 M8/10/1/2"	108	152	24x1,8	79	3	3	M8x35
2242378	MP-U 109-115 4" M8/10/1/2"	115	160	24x1,8	82	3	3	M8x35
2242379	MP-U 115-121 M8/10/1/2"	121	166	24x1,8	85	3	3	M8x35
2242380	MP-U 121-127 M8/10/1/2"	127	172	24x1,8	88	3	3	M8x35
2242235	MP-U 128-134 M8/10/1/2"	134	179	24x1,8	92	3	3	M8x35
2242332	MP-U 135-141 5" M8/10/1/2"	141	186	24x1,8	95	3	3	M8x35
2305357	MP-U 141-147 M8/10/1/2"	147	192	24x1,8	98	3	3	M8x35
2305358	MP-U 147-153 M8/10/1/2"	153	201	24x2,0	101	3	3	M8x35
2305359	MP-U 153-159 M8/10/1/2"	159	207	24x2,0	104	3	3	M8x35
2305360	MP-U 160-166 6" M8/10/1/2"	166	214	24x2,0	108	3	3	M8x35
2305361	MP-U 166-172 M8/10/1/2"	172	220	24x2,0	111	3	3	M8x35
2305362	MP-U 170-176 M8/10/1/2"	176	224	24x2,0	113	3	3	M8x35

**Colliers de serrage Hilti Ultimate MP-U, MP-U-I et MP-U-G**

**Description du produit**  
Dimensions

**Annexe A12**

Figure A7: Géométrie et dimensions des colliers de serrage Hilti Ultimate MP-U-G M8



Dimensions in mm

Tableau A13: Matériaux des colliers de serrage MP-U-G M8

Composants du collier	Matériaux
Cerclage	DC01 selon l'EN 10130 pour une bande de 1,0 mm DD11 MOD 360 selon l'EN 10111 pour des bandes de 1,5 mm, 1,8 mm et 2,0 mm
Tête de connexion	Classe $\geq 5$ selon l'ISO 898-2
Vis de serrage M5, M6, M8	Classe de résistance $\geq 4.8$ selon l'EN ISO 7045
Plat	DC01 selon l'EN 10130 pour les plats de 1,2 mm DD11 MOD 360 selon l'EN 10111 pour les plats de 1,8 mm, 2,0 mm
Rondelle	HDPE
Joint torique	EPDM / NBR
Couche d'élastomère	EPDM
Entretoise	PA6-GF30

Colliers de serrage Hilti Ultimate MP-U, MP-U-I et MP-U-G

Description du produit  
Dimensions et matériaux

Annexe A13

**Tableau A14: Dimensions et couples de serrage de colliers de serrage MP-U-G M8**

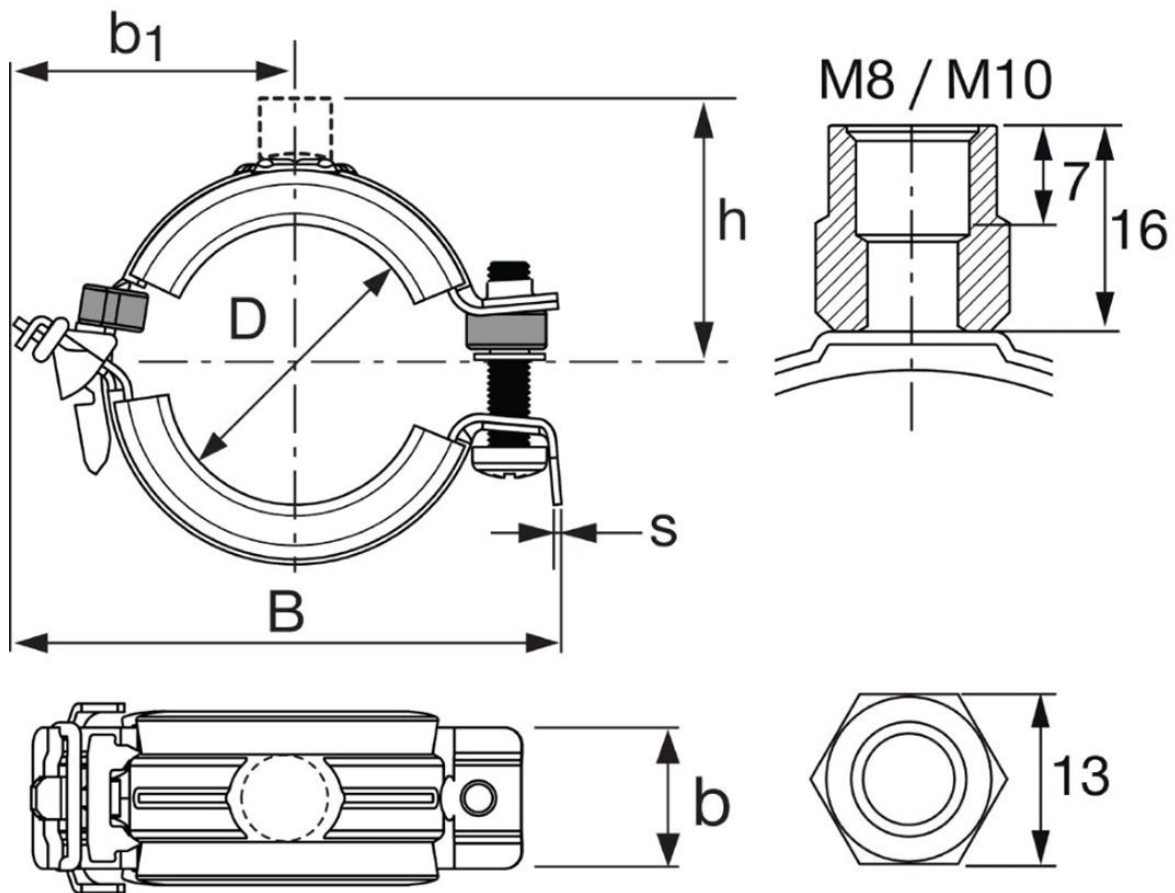
Numéro de l'élément	Désignation	D [mm]	B [mm]	b x s [mm]	h [mm]	No. dents	Taille de la vis
2275020	MP-U-G 16 M8	16	53	20x1.0	22	2	M5x18
2275021	MP-U-G 20 M8	20	56	20x1.0	24	3	M5x22
2275022	MP-U-G 25 M8	25	62	20x1.0	27	3	M5x22
2275023	MP-U-G 32 M8	32	70	20x1.0	31	3	M5x22
2275024	MP-U-G 40 M8	40	75	20x1.0	33	3	M5x22
2275025	MP-U-G 50 M8	50	85	20x1.0	38	3	M5x22
2275026	MP-U-G 56 M8	56	95	20x1.0	43	3	M5x22

**Colliers de serrage Hilti Ultimate MP-U, MP-U-I et MP-U-G**

**Description du produit**  
Dimensions

**Annexe A14**

Figure A8: Géométrie et dimensions des colliers de serrage Hilti Ultimate MP-U-G M8/10



Dimensions in mm

Tableau A15: Matériaux des colliers de serrage Hilti Ultimate MP-U-G M8/10

Composants du collier	Matériaux
Cerclage	DC01 selon l'EN 10130 pour une bande de 1,0 mm DD11 MOD 360 selon l'EN 10111 pour des bandes de 1,5 mm, 1,8 mm et 2,0 mm
tête de connexion	Classe $\geq 5$ selon l'ISO 898-2
Vis de serrage M5, M6, M8	Classe de résistance $\geq 4.8$ selon l'EN ISO 7045
Plat	DC01 selon l'EN 10130 pour les plats de 1,2 mm DD11 MOD 360 selon l'EN 10111 pour les plats de 1,8 mm, 2,0 mm
Rondelle	HDPE
Joint torique	EPDM / NBR
Couche d'élastomère	EPDM
Entretoise	PA6-GF30

Colliers de serrage Hilti Ultimate MP-U, MP-U-I et MP-U-G

Description du produit  
Dimensions

Annexe A16

Tableau A16: Dimensions et couples de serrage de colliers de serrage Hilti Ultimate MP-U-G M8/10

Numéro de l'élément	Désignation	D [mm]	B [mm]	b x s [mm]	h [mm]	No. dents	Taille de la vis
2275028	MP-U-G 16 M8/10	16	53	20x1.0	31	2	M5x18
2275029	MP-U-G 20 M8/10	20	56	20x1.0	34	3	M5x22
2275030	MP-U-G 25 M8/10	25	62	20x1.0	36	3	M5x22
2275031	MP-U-G 32 M8/10	32	70	20x1.0	40	3	M5x22
2275032	MP-U-G 40 M8/10	40	75	20x1.0	43	3	M5x22
2275033	MP-U-G 50 M8/10	50	85	20x1.0	48	3	M5x22
2275034	MP-U-G 56 M8/10	56	95	20x1.0	53	3	M5x22
2275035	MP-U-G 63 M8/10	63	115	24x1.5	58	3	M6x30
2275036	MP-U-G 75 M8/10	75	127	24x1.5	64	3	M6x30
2275037	MP-U-G 90 M8/10	90	152	24x1.8	74	3	M8x35
2275038	MP-U-G 110 M8/10	110	172	24x1.8	84	3	M8x35
2275039	MP-U-G 125 M8/10	125	186	24x1.8	91	3	M8x35
2275040	MP-U-G 135 M8/10	135	201	24x2.0	97	3	M8x35
2275041	MP-U-G 160 M8/10	160	224	24x2.0	108	3	M8x35

Colliers de serrage Hilti Ultimate MP-U, MP-U-I et MP-U-G

Description du produit  
Dimensions

Annexe A16



Figure A9: Géométrie et dimensions des colliers de serrage Hilti Ultimate MP-U-G M8/10/1/2"

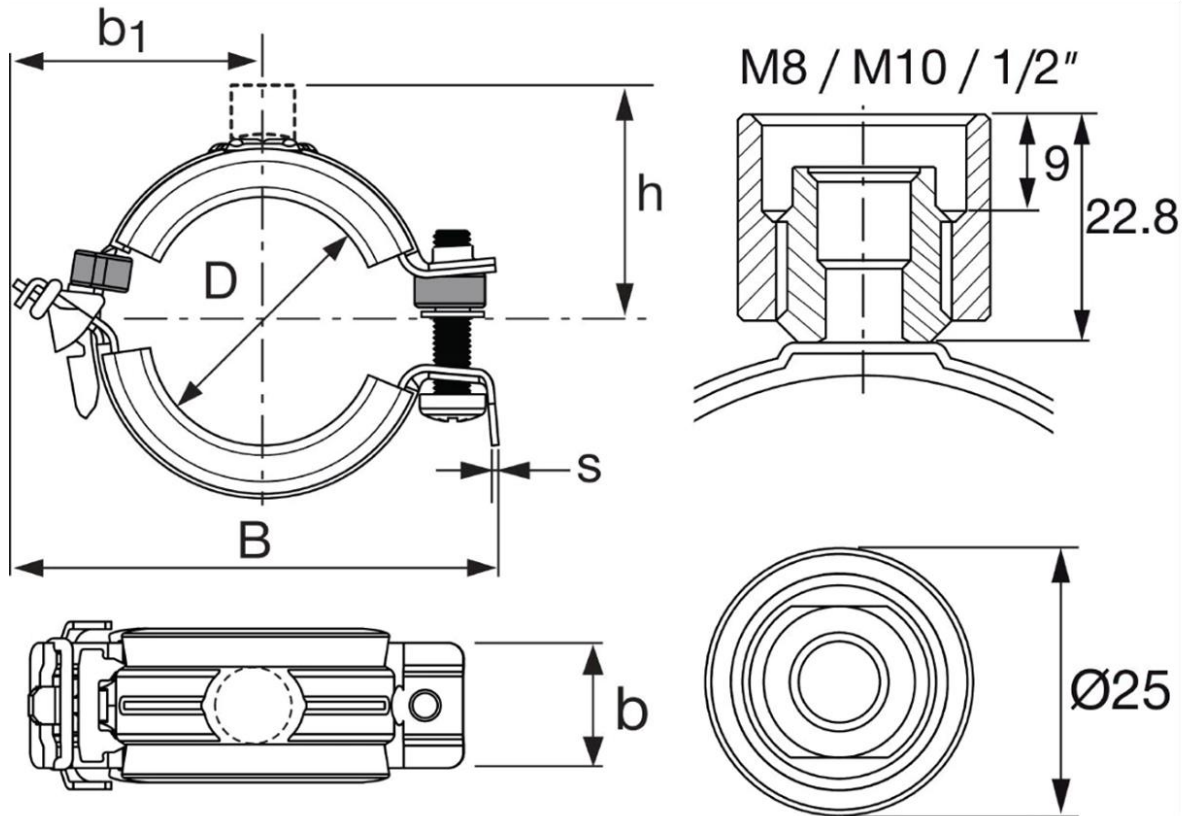


Tableau A17: Matériaux des colliers de serrage Hilti Ultimate MP-U-I M8/10/1/2"

Composants du collier	Matériaux
Cerclage	DC01 selon l'EN 10130 pour une bande de 1,0 mm DD11 MOD 360 selon l'EN 10111 pour des bandes de 1,5 mm, 1,8 mm et 2,0 mm
Tête de connexion	Classe $\geq 5$ selon l'ISO 898-2
Vis de serrage M5, M6, M8	Classe de résistance $\geq 4.8$ selon l'EN ISO 7045
Plat	DC01 selon l'EN 10130 pour les plats de 1,2 mm DD11 MOD 360 selon l'EN 10111 pour les plats de 1,8 mm, 2,0 mm
Rondelle	HDPE
Joint torique	EPDM / NBR
Couche d'élastomère	EPDM
Entretoise	PA6-GF30

Hilti ultimate pipe clamps MP-U, MP-U-I and MP-U-G

Description du produit  
Dimensions et matériaux

Annex A17

Tableau A18: Dimensions et couples de serrage de colliers de serrage Hilti Ultimate MP-U-G M8/10

Numéro de l'élément	Désignation	D [mm]	B [mm]	b x s [mm]	h [mm]	No. dents	Couple de serrage [Nm]	Taille de la vis
2275042	MP-U-G 50 M8/10/1/2"	50	85	20x1.0	54	3	1	M5x22
2275043	MP-U-G 56 M8/10/1/2"	56	95	20x1.0	59	3	1	M5x22
2275044	MP-U-G 63 M8/10/1/2"	63	115	24x1.5	65	3	2	M6x30
2275045	MP-U-G 75 M8/10/1/2"	75	127	24x1.5	71	3	2	M6x30
2275046	MP-U-G 90 M8/10/1/2"	90	152	24x1.8	81	3	3	M8x35
2275047	MP-U-G 110 M8/10/1/2"	110	172	24x1.8	90	3	3	M8x35
2275048	MP-U-G 125 M8/10/1/2"	125	186	24x1.8	97	3	3	M8x35
2275049	MP-U-G 135 M8/10/1/2"	135	201	24x2.0	103	3	3	M8x35
2274899	MP-U-G 160 M8/10/1/2"	160	224	24x2.0	115	3	3	M8x35

Colliers de serrage Hilti Ultimate MP-U, MP-U-I et MP-U-G

Description du produit  
Dimensions

Annexe A18

- Les colliers de serrage Hilti Ultimate MP-U, MP-U-I et MP-U-G sont utilisés pour transférer les charges des équipements de services du bâtiment tels que des équipements pour les sprinklers, l'eau, le chauffage, le refroidissement, la ventilation, l'électricité et d'autres installations. Les colliers de serrage sont adaptés à l'exécution de cette fonction porteuse dans les conditions décrites à la section 2 de la présente Evaluation Technique Européenne.
- La résistance et la déformation en cas d'incendie se réfèrent aux conditions aux limites de la courbe température-temps standard (STTC) selon l'EN 1363-1
- Les données de performance des colliers de serrage sont associées aux tiges filetées selon le tableau B1.
- Les colliers de serrage doivent être installés par du personnel dûment qualifié et sous la supervision du chef de chantier. Les instructions générales d'installation du fabricant s'appliquent.
- La résistance et la déformation aux températures ambiantes et en cas d'incendie s'appliquent aux actions statiques et centrées.
- La vis des colliers de serrage doit être serrée de manière systématique avec un couple de 1 à 3 Nm selon les instructions du mode d'emploi.
- Avant l'installation, il faut s'assurer que le tuyau à insérer, l'ancrage des tiges filetées dans le matériau de base et le matériau de base lui-même sont aptes à résister aux valeurs de résistance des colliers de serrage et qu'ils ont un certificat d'ignifugation .

**Tableau B1: Tiges filetées pouvant être utilisées avec les colliers de serrage Hilti Ultimate MP-U, MP-U-I et MP-U-G**

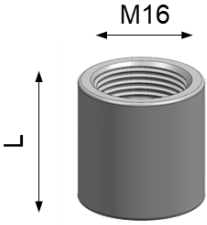
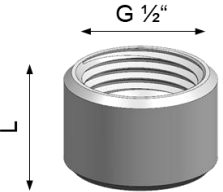
Illustration	Numéro de l'élément	Référence	Filetage	L [mm]	Matériau	
	216415	AM8x1000 4.8	M8	3000	Classe de résistance 4.8 Selon la DIN 976-1, Protection par zingage	
	339794	AM8x2000 4.8	M8	2000		
	339793	AM8x3000 4.8	M8	1000		
	216418	AM10x3000 4.8	M10	3000		
	339796	AM10x2000 4.8	M10	2000		
	339795	AM10x1000 4.8	M10	1000		
	216424	AM16x3000 4.8	M16	3000		
	216423	AM16x2000 4.8	M16	2000		
	216422	AM16x1000 4.8	M16	1000		
	56428	GR-G 1/2" – 2m	G 1/2"	2000		Classe de résistance 4.6, Protection par zingage

**Colliers de serrage Hilti Ultimate MP-U, MP-U-I et MP-U-G**

**Prérequis pour l'évaluation des performances**

**Annexe B1**

**Tableau B2: Raccord filetés pour utilisation avec les colliers de serrage Hilti Ultimate MP-U, MP-U-I et MP-U-G M8/10/O16**

Illustration	Numéro de produit	Référence	Filetage	L [mm]	Matériau
	2244772	MP-GA M16	M16	21	Classe ≥ 5 selon l'ISO 898-2
	2244773	MP-GA 1/2"	G 1/2"	18.8	

Colliers de serrage Hilti Ultimate MP-U, MP-U-I et MP-U-G

Prérequis pour l'évaluation des performances

Annexe B2

**Tableau C1: Résistance caractéristique à la traction à température ambiante pour le MP-U-I M8/10**

Numéro de produit	Référence	Résistance caractéristique à la traction $F_{Rk}$ [N]	Coefficient partiel de sécurité <sup>1)</sup> $\gamma_m$ [-]
2242258	MP-U-I 9-13 1/8" M8/10	1476	1,85
2242259	MP-U-I 13-17 1/4" M8/10		
2242260	MP-U-I 17-21 3/8" M8/10		
2242261	MP-U-I 21-25 1/2" M8/10		
2242262	MP-U-I 25-29 3/4" M8/10		
2242263	MP-U-I 29-33 M8/10		
2242264	MP-U-I 33-37 1" M8/10		
2242265	MP-U-I 37-42 M8/10	2196	2,75
2242266	MP-U-I 42-47 1 1/4" M8/10		
2242267	MP-U-I 47-52 1 1/2" M8/10		
2242268	MP-U-I 52-57 M8/10		
2242269	MP-U-I 57-62 2" M8/10		
2242270	MP-U-I 62-67 M8/10	4423	3,16
2242271	MP-U-I 67-72 M8/10		
2242272	MP-U-I 72-77 2 1/2" M8/10		
2242273	MP-U-I 78-84 M8/10		
2242274	MP-U-I 84-90 3" M8/10		
2242275	MP-U-I 90-96 M8/10		
2242276	MP-U-I 97-103 M8/10	4038	2,24
2242277	MP-U-I 103-109 M8/10		
2242278	MP-U-I 109-115 4" M8/10		
2242279	MP-U-I 115-121 M8/10		
2242280	MP-U-I 122-128 M8/10		
2242281	MP-U-I 129-135 M8/10		
2305365	MP-U-I 135-141 5" M8/10		
2305366	MP-U-I 141-147 M8/10		
2305367	MP-U-I 147-153 M8/10		
2305368	MP-U-I 154-160 M8/10		
2305369	MP-U-I 160-166 6" M8/10		
2305370	MP-U-I 164-170 M8/10		

<sup>1)</sup> Considérant qu'aucune autre réglementation nationale ne s'applique

**Colliers de serrage Hilti Ultimate MP-U, MP-U-I et MP-U-G**

**Résistance caractéristique à la traction à température ambiante**

**Annexe C1**

**Tableau C2: Charge de service et déformation à température ambiante pour le MP-U-I M8/10**

Numéro de produit	Référence	Charge de service F <sub>SLs</sub> [N]	Déformation correspondante [mm]
2242258	MP-U-I 9-13 1/8" M8/10	879	1,50
2242259	MP-U-I 13-17 1/4" M8/10		
2242260	MP-U-I 17-21 3/8" M8/10		
2242261	MP-U-I 21-25 1/2" M8/10		
2242262	MP-U-I 25-29 3/4" M8/10		
2242263	MP-U-I 29-33 M8/10		
2242264	MP-U-I 33-37 1" M8/10		
2242265	MP-U-I 37-42 M8/10	1053	1,50
2242266	MP-U-I 42-47 1 1/4" M8/10		
2242267	MP-U-I 47-52 1 1/2" M8/10		
2242268	MP-U-I 52-57 M8/10		
2242269	MP-U-I 57-62 2" M8/10		
2242270	MP-U-I 62-67 M8/10	1762	1,50
2242271	MP-U-I 67-72 M8/10		
2242272	MP-U-I 72-77 2 1/2" M8/10		
2242273	MP-U-I 78-84 M8/10		
2242274	MP-U-I 84-90 3" M8/10		
2242275	MP-U-I 90-96 M8/10		
2242276	MP-U-I 97-103 M8/10	2072	2,06
2242277	MP-U-I 103-109 M8/10		
2242278	MP-U-I 109-115 4" M8/10		
2242279	MP-U-I 115-121 M8/10		
2242280	MP-U-I 122-128 M8/10		
2242281	MP-U-I 129-135 M8/10	2449	3,68
2305365	MP-U-I 135-141 5" M8/10		
2305366	MP-U-I 141-147 M8/10		
2305367	MP-U-I 147-153 M8/10		
2305368	MP-U-I 154-160 M8/10		
2305369	MP-U-I 160-166 6" M8/10		
2305370	MP-U-I 164-170 M8/10		

**Colliers de serrage Hilti Ultimate MP-U, MP-U-I et MP-U-G**

**Charge de service et déformation à température ambiante**

**Annexe C2**

**Tableau C3: Résistance caractéristique à la traction à température ambiante pour le MP-U-I M8/10/O16**

Numéro de produit	Référence	Résistance caractéristique à la traction $F_{Rk}$ [N]	Coefficient partiel de sécurité <sup>1)</sup> $\gamma_m$ [-]
2242308	MP-U-I 9-13 1/8" M8/10/O16	1476	1,85
2242309	MP-U-I 13-17 1/4" M8/10/O16		
2242310	MP-U-I 17-21 3/8" M8/10/O16		
2242311	MP-U-I 21-25 1/2" M8/10/O16		
2242312	MP-U-I 25-29 3/4" M8/10/O16		
2242313	MP-U-I 29-33 M8/10/O16		
2242314	MP-U-I 33-37 1" M8/10/O16		
2242315	MP-U-I 37-42 M8/10/O16	2196	2,75
2242316	MP-U-I 42-47 1 1/4" M8/10/O16		
2242317	MP-U-I 47-52 1 1/2" M8/10/O16		
2242318	MP-U-I 52-57 M8/10/O16		
2242319	MP-U-I 57-62 2" M8/10/O16		
2242320	MP-U-I 62-67 M8/10/O16		
2242321	MP-U-I 67-72 M8/10/O16		
2242322	MP-U-I 72-77 2 1/2" M8/10/O16	4423	3,16
2242323	MP-U-I 78-84 M8/10/O16		
2242324	MP-U-I 84-90 3" M8/10/O16		
2242325	MP-U-I 90-96 M8/10/O16		
2242326	MP-U-I 97-103 M8/10/O16		
2242327	MP-U-I 103-109 M8/10/O16		
2242328	MP-U-I 109-115 4" M8/10/O16		
2242329	MP-U-I 115-121 M8/10/O16	4038	2,24
2242330	MP-U-I 122-128 M8/10/O16		
2242331	MP-U-I 129-135 M8/10/O16		
2305377	MP-U-I 135-141 5" M8/10/O16		
2305378	MP-U-I 141-147 M8/10/O16		
2305379	MP-U-I 147-153 M8/10/O16		
2305380	MP-U-I 154-160 M8/10/O16		
2305381	MP-U-I 160-166 6" M8/10/O16	5061	2,11
2305382	MP-U-I 164-170 M8/10/O16		

1) Considérant qu'aucune autre réglementation nationale ne s'applique

**Colliers de serrage Hilti Ultimate MP-U, MP-U-I et MP-U-G**

**Résistance caractéristique à la traction à température ambiante**

**Annexe C3**

**Tableau C4: Charge de service et déformation à température ambiante pour le MP-U-I M8/10/O16**

Numéro de produit	Référence	Charge de service F <sub>SLs</sub> [N]	Déformation correspondante [mm]
2242308	MP-U-I 9-13 1/8" M8/10/O16	879	1,50
2242309	MP-U-I 13-17 1/4" M8/10/O16		
2242310	MP-U-I 17-21 3/8" M8/10/O16		
2242311	MP-U-I 21-25 1/2" M8/10/O16		
2242312	MP-U-I 25-29 3/4" M8/10/O16		
2242313	MP-U-I 29-33 M8/10/O16		
2242314	MP-U-I 33-37 1" M8/10/O16		
2242315	MP-U-I 37-42 M8/10/O16	1053	1,50
2242316	MP-U-I 42-47 1 1/4" M8/10/O16		
2242317	MP-U-I 47-52 1 1/2" M8/10/O16		
2242318	MP-U-I 52-57 M8/10/O16		
2242319	MP-U-I 57-62 2" M8/10/O16		
2242320	MP-U-I 62-67 M8/10/O16	1762	1,50
2242321	MP-U-I 67-72 M8/10/O16		
2242322	MP-U-I 72-77 2 1/2" M8/10/O16		
2242323	MP-U-I 78-84 M8/10/O16		
2242324	MP-U-I 84-90 3" M8/10/O16		
2242325	MP-U-I 90-96 M8/10/O16		
2242326	MP-U-I 97-103 M8/10/O16	2072	2,06
2242327	MP-U-I 103-109 M8/10/O16		
2242328	MP-U-I 109-115 4" M8/10/O16		
2242329	MP-U-I 115-121 M8/10/O16		
2242330	MP-U-I 122-128 M8/10/O16		
2242331	MP-U-I 129-135 M8/10/O16	2449	3,68
2305377	MP-U-I 135-141 5" M8/10/O16		
2305378	MP-U-I 141-147 M8/10/O16		
2305379	MP-U-I 147-153 M8/10/O16		
2305380	MP-U-I 154-160 M8/10/O16		
2305381	MP-U-I 160-166 6" M8/10/O16		
2305382	MP-U-I 164-170 M8/10/O16		

**Colliers de serrage Hilti Ultimate MP-U, MP-U-I et MP-U-G**

**Charge de service et déformation à température ambiante**

**Annexe C4**



**Tableau C5: Résistance caractéristique à la traction à température ambiante pour le MP-U-I M8/10/1/2"**

Numéro de produit	Référence	Résistance caractéristique à la traction $F_{Rk}$ [N]	Coefficient partiel de sécurité <sup>1)</sup> $\gamma_m$ [-]
2242283	MP-U-I 9-13 1/8" M8/10/1/2"	1476	1,85
2242284	MP-U-I 13-17 1/4" M8/10/1/2"		
2242285	MP-U-I 17-21 3/8" M8/10/1/2"		
2242286	MP-U-I 21-25 1/2" M8/10/1/2"		
2242287	MP-U-I 25-29 3/4" M8/10/1/2"		
2242288	MP-U-I 29-33 M8/10/1/2"		
2242289	MP-U-I 33-37 1" M8/10/1/2"		
2242290	MP-U-I 37-42 M8/10/1/2"		
2242291	MP-U-I 42-47 1 1/4" M8/10/1/2"	2196	2,75
2242292	MP-U-I 47-52 1 1/2" M8/10/1/2"		
2242293	MP-U-I 52-57 M8/10/1/2"		
2242294	MP-U-I 57-62 2" M8/10/1/2"		
2242295	MP-U-I 62-67 M8/10/1/2"	4423	3,16
2242296	MP-U-I 67-72 M8/10/1/2"		
2242297	MP-U-I 72-77 2 1/2" M8/10/1/2"		
2242298	MP-U-I 78-84 M8/10/1/2"		
2242299	MP-U-I 84-90 3" M8/10/1/2"		
2242300	MP-U-I 90-96 M8/10/1/2"		
2242301	MP-U-I 97-103 M8/10/1/2"		
2242302	MP-U-I 103-109 M8/10/1/2"	4038	2,24
2242303	MP-U-I 109-115 4" M8/10/1/2"		
2242304	MP-U-I 115-121 M8/10/1/2"		
2242305	MP-U-I 122-128 M8/10/1/2"		
2242306	MP-U-I 129-135 M8/10/1/2"		
2305371	MP-U-I 135-141 5" M8/10/1/2"		
2305372	MP-U-I 141-147 M8/10/1/2"	5061	2,11
2305373	MP-U-I 147-153 M8/10/1/2"		
2305374	MP-U-I 154-160 M8/10/1/2"		
2305375	MP-U-I 160-166 6" M8/10/1/2"		
2305376	MP-U-I 164-170 M8/10/1/2"		

1) Considérant qu'aucune autre réglementation nationale ne s'applique

**Colliers de serrage Hilti Ultimate MP-U, MP-U-I et MP-U-G**

**Résistance caractéristique à la traction à température ambiante**

**Annexe C5**

**Tableau C6: Charge de service et déformation à température ambiante pour le MP-U-I M8/10/1/2"**

Numéro de produit	Référence	Charge de service F <sub>SLs</sub> [N]	Déformation correspondante [mm]
2242283	MP-U-I 9-13 1/8" M8/10/1/2"	879	1,50
2242284	MP-U-I 13-17 1/4" M8/10/1/2"		
2242285	MP-U-I 17-21 3/8" M8/10/1/2"		
2242286	MP-U-I 21-25 1/2" M8/10/1/2"		
2242287	MP-U-I 25-29 3/4" M8/10/1/2"		
2242288	MP-U-I 29-33 M8/10/1/2"		
2242289	MP-U-I 33-37 1" M8/10/1/2"		
2242290	MP-U-I 37-42 M8/10/1/2"	1053	1,50
2242291	MP-U-I 42-47 1 1/4" M8/10/1/2"		
2242292	MP-U-I 47-52 1 1/2" M8/10/1/2"		
2242293	MP-U-I 52-57 M8/10/1/2"		
2242294	MP-U-I 57-62 2" M8/10/1/2"		
2242295	MP-U-I 62-67 M8/10/1/2"	1762	1,50
2242296	MP-U-I 67-72 M8/10/1/2"		
2242297	MP-U-I 72-77 2 1/2" M8/10/1/2"		
2242298	MP-U-I 78-84 M8/10/1/2"		
2242299	MP-U-I 84-90 3" M8/10/1/2"		
2242300	MP-U-I 90-96 M8/10/1/2"	2072	2,06
2242301	MP-U-I 97-103 M8/10/1/2"		
2242302	MP-U-I 103-109 M8/10/1/2"		
2242303	MP-U-I 109-115 4" M8/10/1/2"		
2242304	MP-U-I 115-121 M8/10/1/2"		
2242305	MP-U-I 122-128 M8/10/1/2"		
2242306	MP-U-I 129-135 M8/10/1/2"	2449	3,68
2305371	MP-U-I 135-141 5" M8/10/1/2"		
2305372	MP-U-I 141-147 M8/10/1/2"		
2305373	MP-U-I 147-153 M8/10/1/2"		
2305374	MP-U-I 154-160 M8/10/1/2"		
2305375	MP-U-I 160-166 6" M8/10/1/2"		
2305376	MP-U-I 164-170 M8/10/1/2"		

**Colliers de serrage Hilti Ultimate MP-U, MP-U-I et MP-U-G**

**Charge de service et déformation à température ambiante**

**Annexe C6**

**Tableau C7: Résistance caractéristique à la traction à température ambiante pour le MP-U-I M8**

Numéro de produit	Référence	Résistance caractéristique à la traction $F_{Rk}$ [N]	Coefficient partiel de sécurité <sup>1)</sup> $\gamma_m$ [-]
2242237	MP-U-I 9-13 1,8" M8	1476	1,85
2242238	MP-U-I 13-17 1/4" M8		
2242239	MP-U-I 17-21 3/8 M8		
2242250	MP-U-I 21-25 1/2" M8		
2242251	MP-U-I 25-29 3/4" M8		
2242252	MP-U-I 29-33 M8		
2242253	MP-U-I 33-37 1" M8		
2242254	MP-U-I 37-42 M8	2924	3,66
2242255	MP-U-I 42-47 1 1/4" M8		
2242256	MP-U-I 47-52 1 1/2" M8		
2305363	MP-U-I 52-57 M8		
2305364	MP-U-I 57-62 2" M8		

<sup>1)</sup> Considérant qu'aucune autre réglementation nationale ne s'applique

**Colliers de serrage Hilti Ultimate MP-U, MP-U-I et MP-U-G**

**Résistance caractéristique à la traction à température ambiante**

**Annexe C7**

**Tableau C8: Charge de service et déformation à température ambiante pour le MP-U-I M8**

Numéro de produit	Référence	Charge de service F <sub>SLS</sub> [N]	Déformation correspondante [mm]
2242237	MP-U-I 9-13 1,8" M8	943	1,50
2242238	MP-U-I 13-17 1/4" M8		
2242239	MP-U-I 17-21 3/8 M8		
2242250	MP-U-I 21-25 1/2" M8		
2242251	MP-U-I 25-29 3/4" M8		
2242252	MP-U-I 29-33 M8		
2242253	MP-U-I 33-37 1" M8		
2242254	MP-U-I 37-42 M8	946	1,50
2242255	MP-U-I 42-47 1 1/4" M8		
2242256	MP-U-I 47-52 1 1/2" M8		
2305363	MP-U-I 52-57 M8		
2305364	MP-U-I 57-62 2" M8		

**Colliers de serrage Hilti Ultimate MP-U, MP-U-I et MP-U-G**

**Charge de service et déformation à température ambiante**

**Annexe C8**

**Tableau C9: Résistance caractéristique à la traction à température ambiante pour le MP-U M8/10**

Numéro de produit	Référence	Résistance caractéristique à la traction $F_{Rk}$ [N]	Coefficient partiel de sécurité <sup>1)</sup> $\gamma_m$ [-]
2242334	MP-U 13-17 ¼" M8/10	1476	1,85
2242335	MP-U 16-20 3/8" M8/10		
2242336	MP-U 20-24 ½" M8/10		
2242337	MP-U 25-29 ¾" M8/10		
2242338	MP-U 30-34 M8/10		
2242339	MP-U 34-38 1" M8/10		
2242340	MP-U 38-42 M8/10		
2242341	MP-U 42-47 1 ¼" M8/10	2196	2,75
2242342	MP-U 47-52 1 ½" M8/10		
2242343	MP-U 52-57 M8/10		
2242344	MP-U 57-62 2" M8/10		
2242345	MP-U 62-67 M8/10		
2242346	MP-U 67-72 M8/10		
2242347	MP-U 72-77 2 ½" M8/10	4423	3,16
2242348	MP-U 77-82 M8/10		
2242349	MP-U 83-89 3" M8/10		
2242350	MP-U 89-95 M8/10		
2242351	MP-U 95-101 M8/10		
2242352	MP-U 102-108 M8/10		
2242353	MP-U 109-115 4" M8/10	4038	2,24
2242354	MP-U 115-121 M8/10		
2242355	MP-U 121-127 M8/10		
2242356	MP-U 128-134 M8/10		
2242357	MP-U 135-141 5" M8/10		
2305351	MP-U 141-147 M8/10		
2305352	MP-U 147-153 M8/10		
2305353	MP-U 153-159 M8/10	5061	2,11
2305354	MP-U 160-166 6" M8/10		
2305355	MP-U 166-172 M8/10		
2305356	MP-U 170-176 M8/10		

1) Considérant qu'aucune autre réglementation nationale ne s'applique

**Colliers de serrage Hilti Ultimate MP-U, MP-U-I et MP-U-G**

**Résistance caractéristique à la traction à température ambiante**

**Annexe C9**

**Tableau C10: Charge de service et déformation à température ambiante pour le MP-U M8/10**

Numéro de produit	Référence	Charge de service F <sub>SLs</sub> [N]	Déformation correspondante [mm]
2242334	MP-U 13-17 ¼" M8/10	879	1,50
2242335	MP-U 16-20 3/8" M8/10		
2242336	MP-U 20-24 ½" M8/10		
2242337	MP-U 25-29 ¾" M8/10		
2242338	MP-U 30-34 M8/10		
2242339	MP-U 34-38 1" M8/10		
2242340	MP-U 38-42 M8/10		
2242341	MP-U 42-47 1 ¼" M8/10	1053	1,50
2242342	MP-U 47-52 1 ½" M8/10		
2242343	MP-U 52-57 M8/10		
2242344	MP-U 57-62 2" M8/10		
2242345	MP-U 62-67 M8/10		
2242346	MP-U 67-72 M8/10		
2242347	MP-U 72-77 2 ½" M8/10	1762	1,50
2242348	MP-U 77-82 M8/10		
2242349	MP-U 83-89 3" M8/10		
2242350	MP-U 89-95 M8/10		
2242351	MP-U 95-101 M8/10		
2242352	MP-U 102-108 M8/10		
2242353	MP-U 109-115 4" M8/10	2072	2,06
2242354	MP-U 115-121 M8/10		
2242355	MP-U 121-127 M8/10		
2242356	MP-U 128-134 M8/10		
2242357	MP-U 135-141 5" M8/10		
2305351	MP-U 141-147 M8/10		
2305352	MP-U 147-153 M8/10	2449	3,68
2305353	MP-U 153-159 M8/10		
2305354	MP-U 160-166 6" M8/10		
2305355	MP-U 166-172 M8/10		
2305356	MP-U 170-176 M8/10		

**Colliers de serrage Hilti Ultimate MP-U, MP-U-I et MP-U-G**

**Charge de service et déformation à température ambiante**

**Annexe C10**

**Tableau C11: Résistance caractéristique à la traction à température ambiante pour le MP-U M8/10 1/2"**

Numéro de produit	Référence	Résistance caractéristique à la traction $F_{Rk}$ [N]	Coefficient partiel de sécurité <sup>1)</sup> $\gamma_m$ [-]
2242359	MP-U 13-17 1/4" M8/10 1/2"	1476	1,85
2242360	MP-U 16-20 3/8" M8/10 1/2"		
2242361	MP-U 20-24 1/2" M8/10 1/2"		
2242362	MP-U 25-29 3/4" M8/10 1/2"		
2242363	MP-U 30-34 M8/10 1/2"		
2242364	MP-U 34-38 1" M8/10 1/2"		
2242365	MP-U 38-42 M8/10 1/2"		
2242366	MP-U 42-47 1 1/4" M8/10 1/2"	2196	2,75
2242367	MP-U 47-52 1 1/2" M8/10 1/2"		
2242368	MP-U 52-57 M8/10 1/2"		
2242369	MP-U 57-62 2" M8/10 1/2"		
2242370	MP-U 62-67 M8/10 1/2"		
2242371	MP-U 67-72 M8/10 1/2"		
2242372	MP-U 72-77 2 1/2" M8/10 1/2"		
2242373	MP-U 77-82 M8/10 1/2"	4423	3,16
2242374	MP-U 83-89 3" M8/10 1/2"		
2242375	MP-U 89-95 M8/10 1/2"		
2242376	MP-U 95-101 M8/10 1/2"		
2242377	MP-U 102-108 M8/10 1/2"		
2242378	MP-U 109-115 4" M8/10 1/2"		
2242379	MP-U 115-121 M8/10 1/2"		
2242380	MP-U 121-127 M8/10 1/2"	4038	2,24
2242235	MP-U 128-134 M8/10 1/2"		
2242332	MP-U 135-141 5" M8/10 1/2"		
2305357	MP-U 141-147 M8/10 1/2"		
2305358	MP-U 147-153 M8/10 1/2"		
2305359	MP-U 153-159 M8/10 1/2"		
2305360	MP-U 160-166 6" M8/10 1/2"		
2305361	MP-U 166-172 M8/10 1/2"		
2305362	MP-U 170-176 M8/10 1/2"		

1) Considérant qu'aucune autre réglementation nationale ne s'applique

**Colliers de serrage Hilti Ultimate MP-U, MP-U-I et MP-U-G**

**Résistance caractéristique à la traction à température ambiante**

**Annexe C11**

**Tableau C12: Charge de service et déformation à température ambiante pour le MP-U M8/10/1/2"**

Numéro de produit	Référence	Charge de service F <sub>SLs</sub> [N]	Déformation correspondante [mm]
2242359	MP-U 13-17 1/4" M8/10/1/2"	879	1,50
2242360	MP-U 16-20 3/8" M8/10/1/2"		
2242361	MP-U 20-24 1/2" M8/10/1/2"		
2242362	MP-U 25-29 3/4" M8/10/1/2"		
2242363	MP-U 30-34 M8/10/1/2"		
2242364	MP-U 34-38 1" M8/10/1/2"		
2242365	MP-U 38-42 M8/10/1/2"		
2242366	MP-U 42-47 1 1/4" M8/10/1/2"	1053	1,50
2242367	MP-U 47-52 1 1/2" M8/10/1/2"		
2242368	MP-U 52-57 M8/10/1/2"		
2242369	MP-U 57-62 2" M8/10/1/2"		
2242370	MP-U 62-67 M8/10/1/2"		
2242371	MP-U 67-72 M8/10/1/2"	1762	1,50
2242372	MP-U 72-77 2 1/2" M8/10/1/2"		
2242373	MP-U 77-82 M8/10/1/2"		
2242374	MP-U 83-89 3" M8/10/1/2"		
2242375	MP-U 89-95 M8/10/1/2"		
2242376	MP-U 95-101 M8/10/1/2"		
2242377	MP-U 102-108 M8/10/1/2"	2072	2,06
2242378	MP-U 109-115 4" M8/10/1/2"		
2242379	MP-U 115-121 M8/10/1/2"		
2242380	MP-U 121-127 M8/10/1/2"		
2242235	MP-U 128-134 M8/10/1/2"		
2242332	MP-U 135-141 5" M8/10/1/2"		
2305357	MP-U 141-147 M8/10/1/2"		
2305358	MP-U 147-153 M8/10/1/2"	2449	3,68
2305359	MP-U 153-159 M8/10/1/2"		
2305360	MP-U 160-166 6" M8/10/1/2"		
2305361	MP-U 166-172 M8/10/1/2"		
2305362	MP-U 170-176 M8/10/1/2"		

**Colliers de serrage Hilti Ultimate MP-U, MP-U-I et MP-U-G**

**Charge de service et déformation à température ambiante**

**Annexe C12**



**Tableau C13: Résistance caractéristique à la traction à température ambiante pour le MP-U-G M8**

Numéro de produit	Référence	Résistance caractéristique à la traction $F_{Rk}$ [N]	Coefficient partiel de sécurité <sup>1)</sup> $\gamma_m$ [-]
2275028	MP-U-G 16 M8	2630	3,33
2275029	MP-U-G 20 M8		
2275030	MP-U-G 25 M8		
2275031	MP-U-G 32 M8		
2275032	MP-U-G 40 M8		
2275033	MP-U-G 50 M8		
2275034	MP-U-G 56 M8		

<sup>1)</sup> Considérant qu'aucune autre réglementation nationale ne s'applique

**Colliers de serrage Hilti Ultimate MP-U, MP-U-I et MP-U-G**

**Résistance caractéristique à la traction à température ambiante**

**Annexe C13**

**Table C14: Résistance caractéristique à la traction à température ambiante pour le MP-U-G M8/10**

Numéro de produit	Référence	Résistance caractéristique à la traction $F_{Rk}$ [N]	Coefficient partiel de sécurité <sup>1)</sup> $\gamma_m$ [-]
2275028	MP-U-G 16 M8/10	2630	3,33
2275029	MP-U-G 20 M8/10		
2275030	MP-U-G 25 M8/10		
2275031	MP-U-G 32 M8/10		
2275032	MP-U-G 40 M8/10		
2275033	MP-U-G 50 M8/10		
2275034	MP-U-G 56 M8/10	6108	4,36
2275035	MP-U-G 63 M8/10		
2275036	MP-U-G 75 M8/10		
2275037	MP-U-G 90 M8/10	6588	3,66
2275038	MP-U-G 110 M8/10		
2275039	MP-U-G 125 M8/10		
2275040	MP-U-G 135 M8/10	7413	3,09
2275041	MP-U-G 160 M8/10		

<sup>1)</sup> Considérant qu'aucune autre réglementation nationale ne s'applique

**Colliers de serrage Hilti Ultimate MP-U, MP-U-I et MP-U-G**

**Résistance caractéristique à la traction à température ambiante**

**Annexe C14**

**Table C15: Résistance caractéristique à la traction à température ambiante pour le MP-U-G M8/10/1/2"**

Numéro de produit	Référence	Résistance caractéristique à la traction $F_{Rk}$ [N]	Coefficient partiel de sécurité <sup>1)</sup> $\gamma_m$ [-]
2275042	MP-U-G 50 M8/10/1/2"	2630	3,33
2275043	MP-U-G 56 M8/10/1/2"		
2275044	MP-U-G 63 M8/10/1/2"	6108	4,36
2275045	MP-U-G 75 M8/10/1/2"		
2275046	MP-U-G 90 M8/10/1/2"	6588	3,66
2275047	MP-U-G 110 M8/10/1/2"		
2275048	MP-U-G 125 M8/10/1/2"		
2275049	MP-U-G 135 M8/10/1/2"	7413	3,09
2274899	MP-U-G 160 M8/10/1/2"		

<sup>1)</sup> Considérant qu'aucune autre réglementation nationale ne s'applique

**Colliers de serrage Hilti Ultimate MP-U, MP-U-I et MP-U-G**

**Résistance caractéristique à la traction à température ambiante**

**Annexe C15**

**Tableau D1: Résistance  $F_{Rk,t}$  des colliers de serrage Hilti Ultimate MP-U-I 9-13 – MP-U-I 33-37 et MP-U 13-17 – MP-U 38-42 en cas d’incendie après  $t = 30, 60$  et  $90$  minutes**

Numéro de produit	Référence	Paramètres de la courbe de régression	$F_{Rk,t}$ [N]		
		$F_{Rk}(t) = c_3 (c_1 + c_2 / t)$	$F_{Rk,30}$	$F_{Rk,60}$	$F_{Rk,90}$
2242258	MP-U-I 9-13 1/8" M8/10	$c_1 = 80,6628$ $c_2 = 6412,2993$ $c_3 = 0,72904$ $21 \text{ min} \leq t \leq 98 \text{ min}$	214,6	136,7	110,7
2242259	MP-U-I 13-17 1/4" M8/10				
2242260	MP-U-I 17-21 3/8" M8/10				
2242261	MP-U-I 21-25 1/2" M8/10				
2242262	MP-U-I 25-29 3/4" M8/10				
2242263	MP-U-I 29-33 M8/10				
2242264	MP-U-I 33-37 1" M8/10				
2242334	MP-U 13-17 1/4" M8/10				
2242335	MP-U 16-20 3/8" M8/10				
2242336	MP-U 20-24 1/2" M8/10				
2242337	MP-U 25-29 3/4" M8/10				
2242338	MP-U 30-34 M8/10				
2242339	MP-U 34-38 1" M8/10				
2242340	MP-U 38-42 M8/10				

**Désignation**

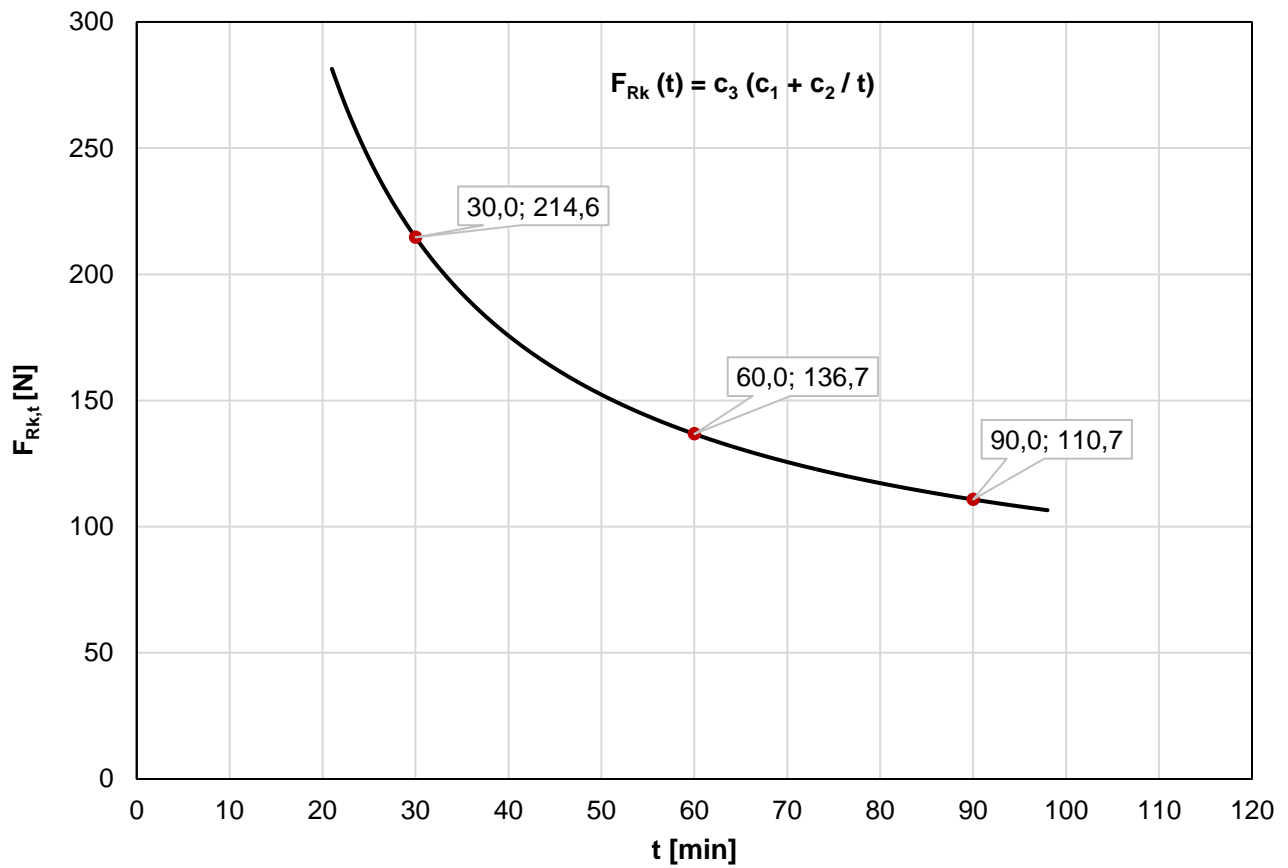
$F_{Rk,t}$  Résistance après une durée d’exposition  $t$  en cas d’incendie [N]  
 $F_{Rk}(t)$  Résistance en fonction du temps en cas d’incendie [N]

**Colliers de serrage Hilti Ultimate MP-U, MP-U-I et MP-U-G**

**Résistance en cas d’incendie pour les colliers de serrage Hilti Ultimate MP-U-I 9-13 – MP-U-I 33-37 et MP-U 13-17 – MP-U 38-42**

**Annexe D1**

Figure D1: Courbe de régression selon le Tableau D1



Colliers de serrage Hilti Ultimate MP-U, MP-U-I et MP-U-G

Résistance en cas d'incendie pour les colliers de serrage Hilti Ultimate  
MP-U-I 9-13 – MP-U-I 33-37 and MP-U 13-17 – MP-U 38-42

Annexe D2

**Tableau D2: Résistance  $F_{Rk,t}$  des colliers de serrage Hilti Ultimate MP-U-I 9-13 – MP-U-I 33-37 et MP-U 13-17 – MP-U 38-42 en cas d’incendie après t = 30, 60 et 90 minutes**

Numéro de produit	Référence	Paramètres de la courbe de régression	$F_{Rk,t}$ [N]		
		$F_{Rk}(t) = c_3 (c_1 + c_2 / t)$	$F_{Rk,30}$	$F_{Rk,60}$	$F_{Rk,90}$
2242308	MP-U-I 9-13 1/8" M8/10/O16	$c_1 = 80,6628$ $c_2 = 5131,1219$ $c_3 = 0,72904$ 21 min ≤ t ≤ 98 min	183,5	121,1	100,4
2242309	MP-U-I 13-17 1/4" M8/10/O16				
2242310	MP-U-I 17-21 3/8" M8/10/O16				
2242311	MP-U-I 21-25 1/2" M8/10/O16				
2242312	MP-U-I 25-29 3/4" M8/10/O16				
2242313	MP-U-I 29-33 M8/10/O16				
2242314	MP-U-I 33-37 1" M8/10/O16				
2242283	MP-U-I 9-13 1/8" M8/10/1/2"				
2242284	MP-U-I 13-17 1/4" M8/10/1/2"				
2242285	MP-U-I 17-21 3/8" M8/10/1/2"				
2242286	MP-U-I 21-25 1/2" M8/10/1/2"				
2242287	MP-U-I 25-29 3/4" M8/10/1/2"				
2242288	MP-U-I 29-33 M8/10/1/2"				
2242289	MP-U-I 33-37 1" M8/10/1/2"				
2242359	MP-U 13-17 1/4" M8/10/1/2"				
2242360	MP-U 16-20 3/8" M8/10/1/2"				
2242361	MP-U 20-24 1/2" M8/10/1/2"				
2242362	MP-U 25-29 3/4" M8/10/1/2"				
2242363	MP-U 30-34 M8/10/1/2"				
2242364	MP-U 34-38 1" M8/10/1/2"				
2242365	MP-U 38-42 M8/10/1/2"				

**Désignation**

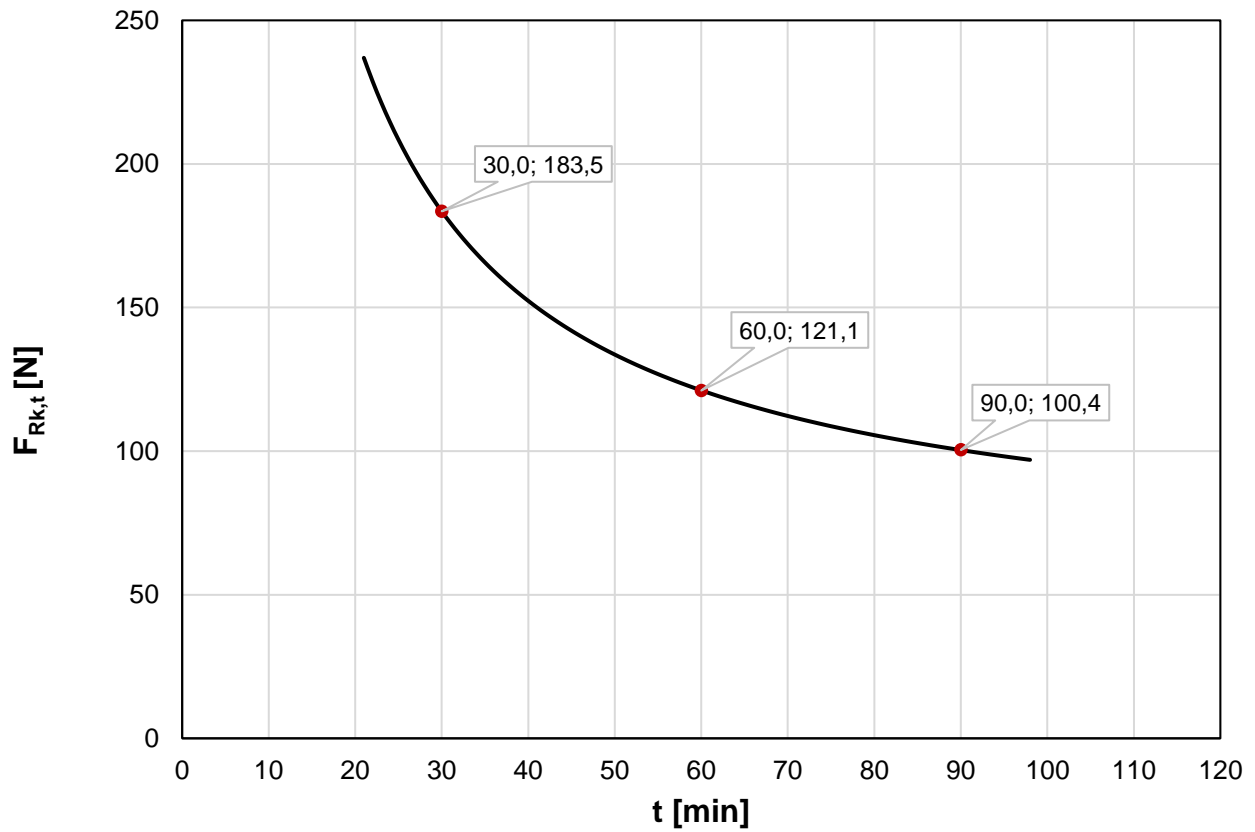
$F_{Rk,t}$  Résistance après une durée d’exposition t en cas d’incendie [N]  
 $F_{Rk}(t)$  Résistance en fonction du temps en cas d’incendie [N]

**Colliers de serrage Hilti Ultimate MP-U, MP-U-I et MP-U-G**

**Résistance en cas d’incendie pour les colliers de serrage Hilti Ultimate MP-U-I 9-13 – MP-U-I 33-37 et MP-U 13-17 – MP-U 38-42**

**Annexe D3**

Figure D2: Courbe de régression selon le Tableau D2



Colliers de serrage Hilti Ultimate MP-U, MP-U-I et MP-U-G

Résistance en cas d'incendie pour les colliers de serrage Hilti Ultimate  
MP-U-I 9-13 – MP-U-I 33-37 et MP-U 13-17 – MP-U 38-42

Annexe D4

**Tableau D3: Déplacement en fonction de la charge et déformations des colliers de serrage  
Hilti Ultimate MP-U-I 9-13 – MP-U-I 33-37 et MP-U 13-17 – MP-U 38-42**

Numéro de produit	Référence	Paramètres de la courbe de régression	F <sub>Rk,30</sub> (δ) [N]				δ <sub>max,t</sub> [mm]	
			F <sub>Rk,30</sub> (12)	F <sub>Rk,30</sub> (16)	F <sub>Rk,30</sub> (18)	F <sub>Rk,30</sub> (20)	δ <sub>max,60</sub>	δ <sub>max,90</sub>
2242258	MP-U-I 9-13 1/8" M8/10	a <sub>1</sub> = 9,3219 a <sub>2</sub> = 1,1165 a <sub>3</sub> = 0,721 10 mm ≤ δ ≤ 22 mm	107,7	148,5	169,4	190,6	29,6	29,6
2242259	MP-U-I 13-17 1/4" M8/10							
2242260	MP-U-I 17-21 3/8" M8/10							
2242261	MP-U-I 21-25 1/2" M8/10							
2242262	MP-U-I 25-29 3/4" M8/10							
2242263	MP-U-I 29-33 M8/10							
2242264	MP-U-I 33-37 1" M8/10							
2242334	MP-U 13-17 1/4" M8/10							
2242335	MP-U 16-20 3/8" M8/10							
2242336	MP-U 20-24 1/2" M8/10							
2242337	MP-U 25-29 3/4" M8/10							
2242338	MP-U 30-34 M8/10							
2242339	MP-U 34-38 1" M8/10							
2242340	MP-U 38-42 M8/10							
2242308	MP-U-I 9-13 1/8" M8/10/O16							
2242309	MP-U-I 13-17 1/4" M8/10/O16							
2242310	MP-U-I 17-21 3/8" M8/10/O16							
2242311	MP-U-I 21-25 1/2" M8/10/O16							
2242312	MP-U-I 25-29 3/4" M8/10/O16							
2242313	MP-U-I 29-33 M8/10/O16							
2242314	MP-U-I 33-37 1" M8/10/O16							
2242283	MP-U-I 9-13 1/8" M8/10/1/2"							
2242284	MP-U-I 13-17 1/4" M8/10/1/2"							
2242285	MP-U-I 17-21 3/8" M8/10/1/2"							
2242286	MP-U-I 21-25 1/2" M8/10/1/2"							
2242287	MP-U-I 25-29 3/4" M8/10/1/2"							
2242288	MP-U-I 29-33 M8/10/1/2"							
2242289	MP-U-I 33-37 1" M8/10/1/2"							
2242359	MP-U 13-17 1/4" M8/10/1/2"							
2242360	MP-U 16-20 3/8" M8/10/1/2"							
2242361	MP-U 20-24 1/2" M8/10/1/2"							
2242362	MP-U 25-29 3/4" M8/10/1/2"							
2242363	MP-U 30-34 M8/10/1/2"							
2242364	MP-U 34-38 1" M8/10/1/2"							
2242365	MP-U 38-42 M8/10/1/2"							

**Désignation**

- δ Déformation
- δ<sub>max,t</sub> Déformation maximale après une durée d'exposition ≤ t minutes en cas d'incendie
- F<sub>Rk,30</sub>(δ) Déplacement en fonction de la charge pour une durée d'exposition time t = 30 minutes en cas d'incendie

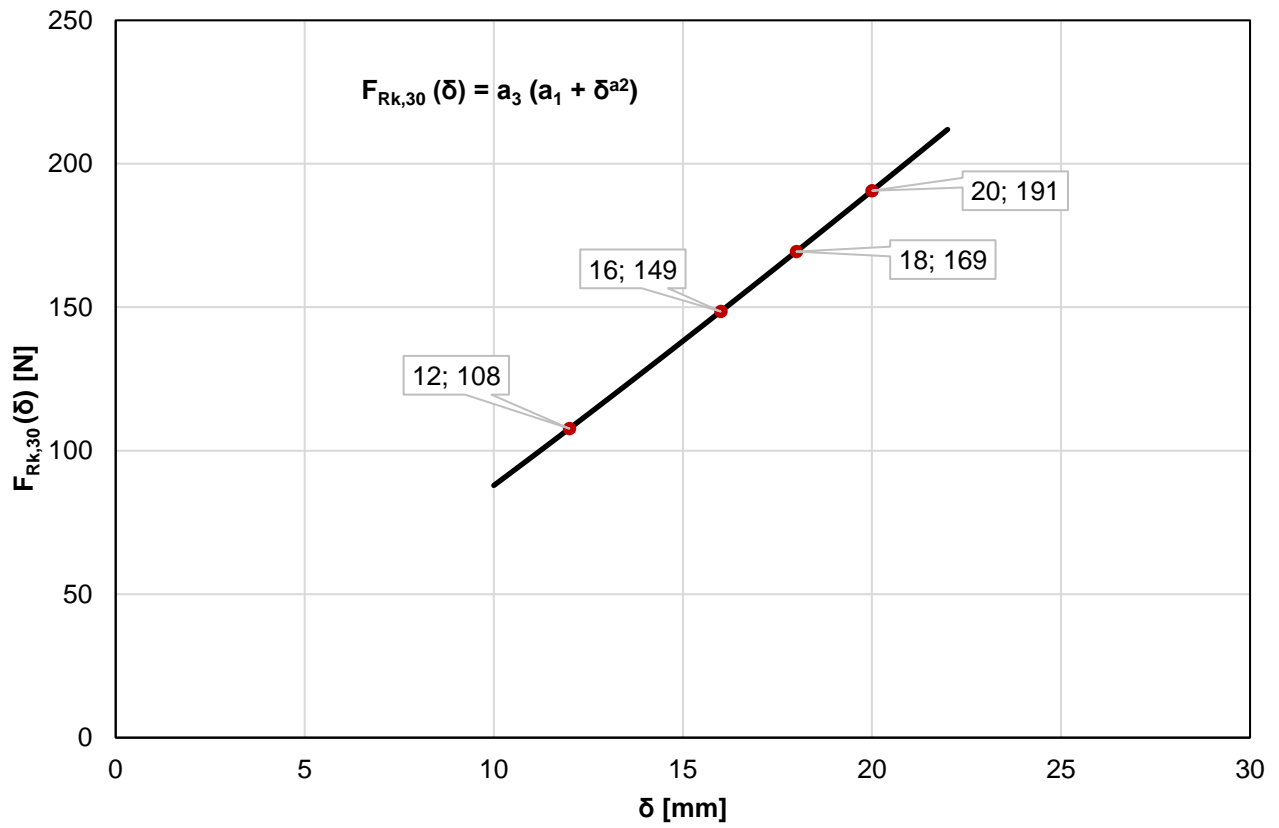
**Colliers de serrage Hilti Ultimate MP-U, MP-U-I et MP-U-G**

**Déplacement en fonction de la charge en cas d'incendie pour les colliers de serrage Hilti Ultimate MP-U-I 9-13 – MP-U-I 33-37 et MP-U 13-17 – MP-U 38-42**

**Annexe D6**



Figure D3: Courbe de régression selon le Tableau D3



Colliers de serrage Hilti Ultimate MP-U, MP-U-I et MP-U-G

Déplacement en fonction de la charge en cas d'incendie pour les colliers de serrage Hilti Ultimate MP-U-I 9-13 – MP-U-I 33-37 et MP-U 13-17 – MP-U 38-42

Annexe D6

**Tableau D4: Resistance  $F_{Rk,t}$  des colliers de serrage Hilti Ultimate MP-U-I 37-42 – MP-U-I 57-62 et MP-U 42-47 – MP-U 62-67 en cas d'incendie après  $t = 30, 60$  et  $90$  minutes**

Numéro de produit	Référence	Paramètres de la courbe de régression	$F_{Rk,t}$ [N]		
		$F_{Rk}(t) = c_3 (c_1 + c_2 / t)$	$F_{Rk,30}$	$F_{Rk,60}$	$F_{Rk,90}$
2242265	MP-U-I 37-42 M8/10	$c_1 = 55,9523$ $c_2 = 9035,2538$ $c_3 = 0,879447$ $23 \text{ min} \leq t \leq 92 \text{ min}$	314,1	181,6	137,5
2242266	MP-U-I 42-47 1 ¼" M8/10				
2242267	MP-U-I 47-52 1 ½" M8/10				
2242268	MP-U-I 52-57 M8/10				
2242269	MP-U-I 57-62 2" M8/10				
2242341	MP-U 42-47 1 ¼" M8/10				
2242342	MP-U 47-52 1 ½" M8/10				
2242343	MP-U 52-57 M8/10				
2242344	MP-U 57-62 2" M8/10				
2242345	MP-U 62-67 M8/10				

**Désignation**

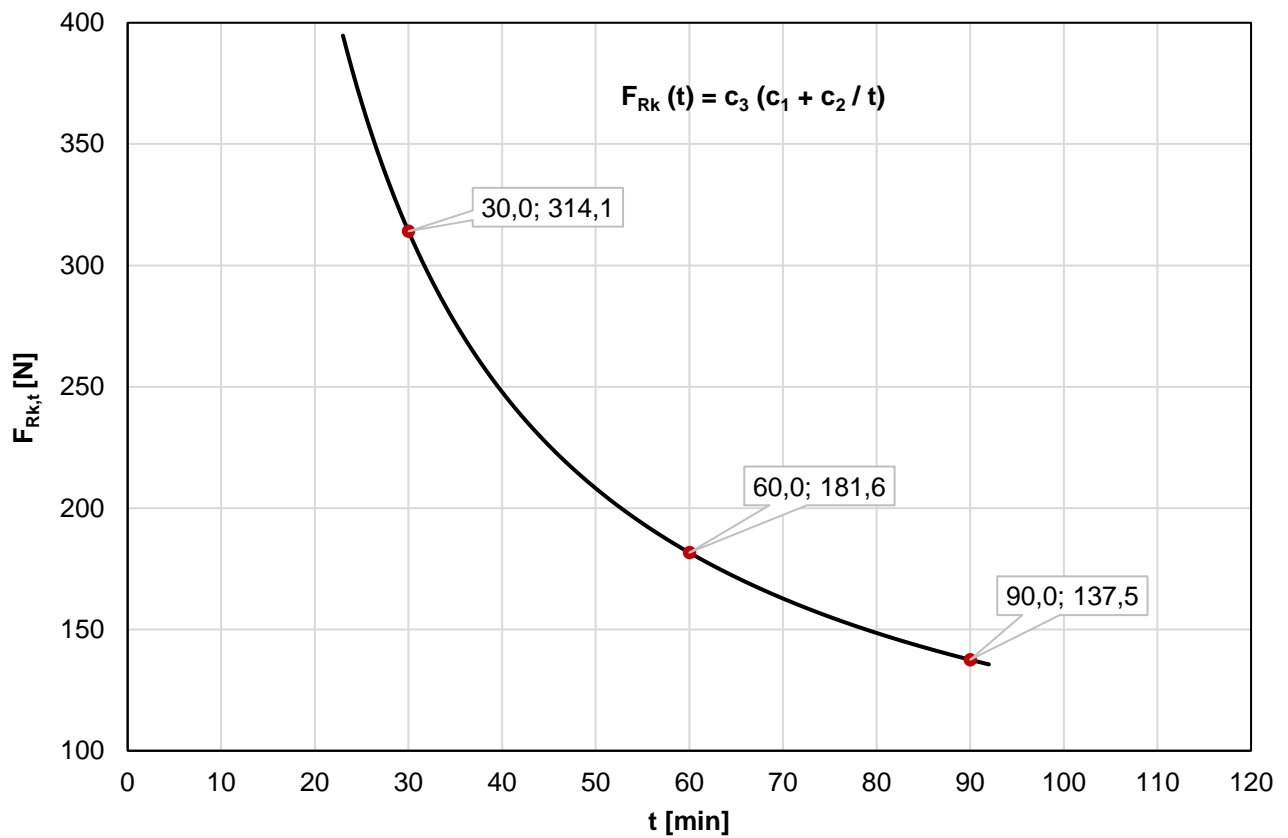
$F_{Rk,t}$             Resistance après une durée d'exposition  $t$  en cas d'incendie [N]  
 $F_{Rk}(t)$         Resistance en fonction du temps en cas d'incendie [N]

**Colliers de serrage Hilti Ultimate MP-U, MP-U-I et MP-U-G**

**Résistance en cas d'incendie pour les colliers de serrage Hilti Ultimate MP-U-I 37-42 – MP-U-I 57-62 and MP-U 42-47 – MP-U 62-67**

**Annexe D7**

Figure D4: Courbe de régression selon le Tableau D4



Colliers de serrage Hilti Ultimate MP-U, MP-U-I et MP-U-G

Résistance en cas d'incendie pour les colliers de serrage Hilti Ultimate  
MP-U-I 37-42 – MP-U-I 57-62 et MP-U 42-47 – MP-U 62-67

Annexe D8

**Tableau D5: Resistance  $F_{Rk,t}$  des colliers de serrage Hilti Ultimate MP-U-I 37-42 – MP-U-I 57-62 et MP-U 42-47 – MP-U 62-67 en cas d'incendie après  $t = 30, 60$  et  $90$  minutes**

Numéro de produit	Référence	Paramètres de la courbe de régression	$F_{Rk,t}$ [N]		
		$F_{Rk}(t) = C_3 (C_1 + C_2 / t)$	$F_{Rk,30}$	$F_{Rk,60}$	$F_{Rk,90}$
2242315	MP-U-I 37-42 M8/10/O16	$C_1 = 55,9523$ $C_2 = 7228,20304$ $C_3 = 0,879447$ $23 \text{ min} \leq t \leq 92 \text{ min}$	261,1	155,2	119,8
2242316	MP-U-I 42-47 1 ¼" M8/10/O16				
2242317	MP-U-I 47-52 1 ½" M8/10/O16				
2242318	MP-U-I 52-57 M8/10/O16				
2242319	MP-U-I 57-62 2" M8/10/O16				
2242290	MP-U-I 37-42 M8/10/½"				
2242291	MP-U-I 42-47 1 ¼" M8/10/½"				
2242292	MP-U-I 47-52 1 ½" M8/10/½"				
2242293	MP-U-I 52-57 M8/10/½"				
2242294	MP-U-I 57-62 2" M8/10/½"				
2242366	MP-U 42-47 1 ¼" M8/10/½"				
2242367	MP-U 47-52 1 ½" M8/10/½"				
2242368	MP-U 52-57 M8/10/½"				
2242369	MP-U 57-62 2" M8/10/½"				
2242370	MP-U 62-67 M8/10/½"				

**Désignation**

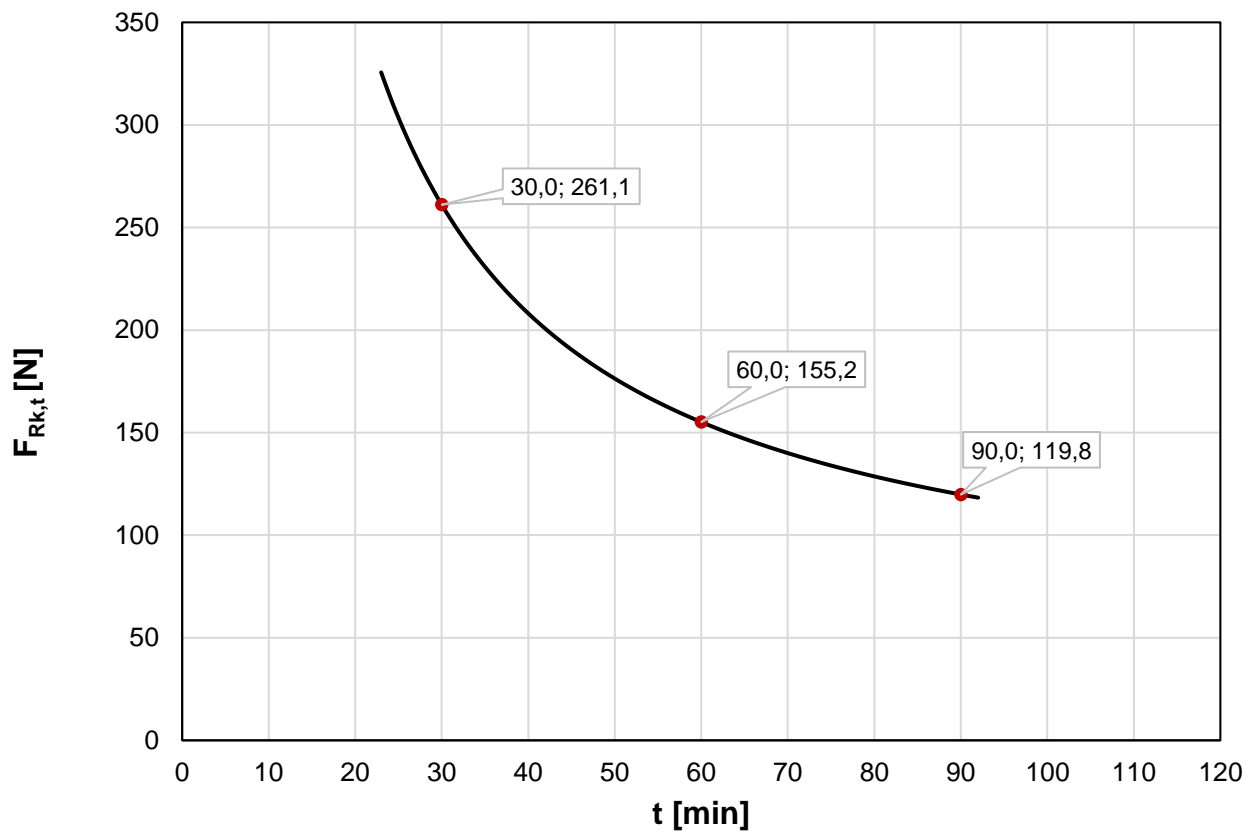
$F_{Rk,t}$             Resistance après une durée d'exposition  $t$  en cas d'incendie [N]  
 $F_{Rk}(t)$            Resistance en fonction du temps en cas d'incendie [N]

**Colliers de serrage Hilti Ultimate MP-U, MP-U-I et MP-U-G**

**Résistance en cas d'incendie pour les colliers de serrage Hilti Ultimate MP-U-I 37-42 – MP-U-I 57-62 et MP-U 42-47 – MP-U 62-67**

**Annexe D9**

Figure D5: Courbe de régression selon le Tableau D5



Colliers de serrage Hilti Ultimate MP-U, MP-U-I et MP-U-G

Résistance en cas d'incendie pour les colliers de serrage Hilti Ultimate  
MP-U-I 37-42 – MP-U-I 57-62 et MP-U 42-47 – MP-U 62-67

Annexe D10

**Tableau D6: Déplacement en fonction de la charge et déformations des colliers de serrage Hilti Ultimate MP-U-I 37-42 – MP-U-I 57-62 et MP-U 42-47 – MP-U 62-67 en cas d'incendie**

Numéro de produit	Référence	Paramètres de la courbe de régression	F <sub>Rk,30</sub> (δ) [N]				δ <sub>max,t</sub> [mm]	
			F <sub>Rk,30</sub> (δ) = a <sub>3</sub> (a <sub>1</sub> + δ <sup>a2</sup> )	F <sub>Rk,30</sub> (16)	F <sub>Rk,30</sub> (18)	F <sub>Rk,30</sub> (20)	F <sub>Rk,30</sub> (24)	δ <sub>max,60</sub>
2242265	MP-U-I 37-42 M8/10	a <sub>1</sub> = 1,0994 a <sub>2</sub> = 1,7722 a <sub>3</sub> = 0,8345 14 mm ≤ δ ≤ 25 mm	124,9	153,9	185,5	256,2	36,9	36,9
2242266	MP-U-I 42-47 1 ¼" M8/10							
2242267	MP-U-I 47-52 1 ½" M8/10							
2242268	MP-U-I 52-57 M8/10							
2242269	MP-U-I 57-62 2" M8/10							
2242341	MP-U 42-47 1 ¼" M8/10							
2242342	MP-U 47-52 1 ½" M8/10							
2242343	MP-U 52-57 M8/10							
2242344	MP-U 57-62 2" M8/10							
2242345	MP-U 62-67 M8/10							
2242315	MP-U-I 37-42 M8/10/O16							
2242316	MP-U-I 42-47 1 ¼" M8/10/O16							
2242317	MP-U-I 47-52 1 ½" M8/10/O16							
2242318	MP-U-I 52-57 M8/10/O16							
2242319	MP-U-I 57-62 2" M8/10/O16							
2242290	MP-U-I 37-42 M8/10/½"							
2242291	MP-U-I 42-47 1 ¼" M8/10/½"							
2242292	MP-U-I 47-52 1 ½" M8/10/½"							
2242293	MP-U-I 52-57 M8/10/½"							
2242294	MP-U-I 57-62 2" M8/10/½"							
2242366	MP-U 42-47 1 ¼" M8/10/½"							
2242367	MP-U 47-52 1 ½" M8/10/½"							
2242368	MP-U 52-57 M8/10/½"							
2242369	MP-U 57-62 2" M8/10/½"							
2242370	MP-U 62-67 M8/10/½"							

**Symboles et désignation**

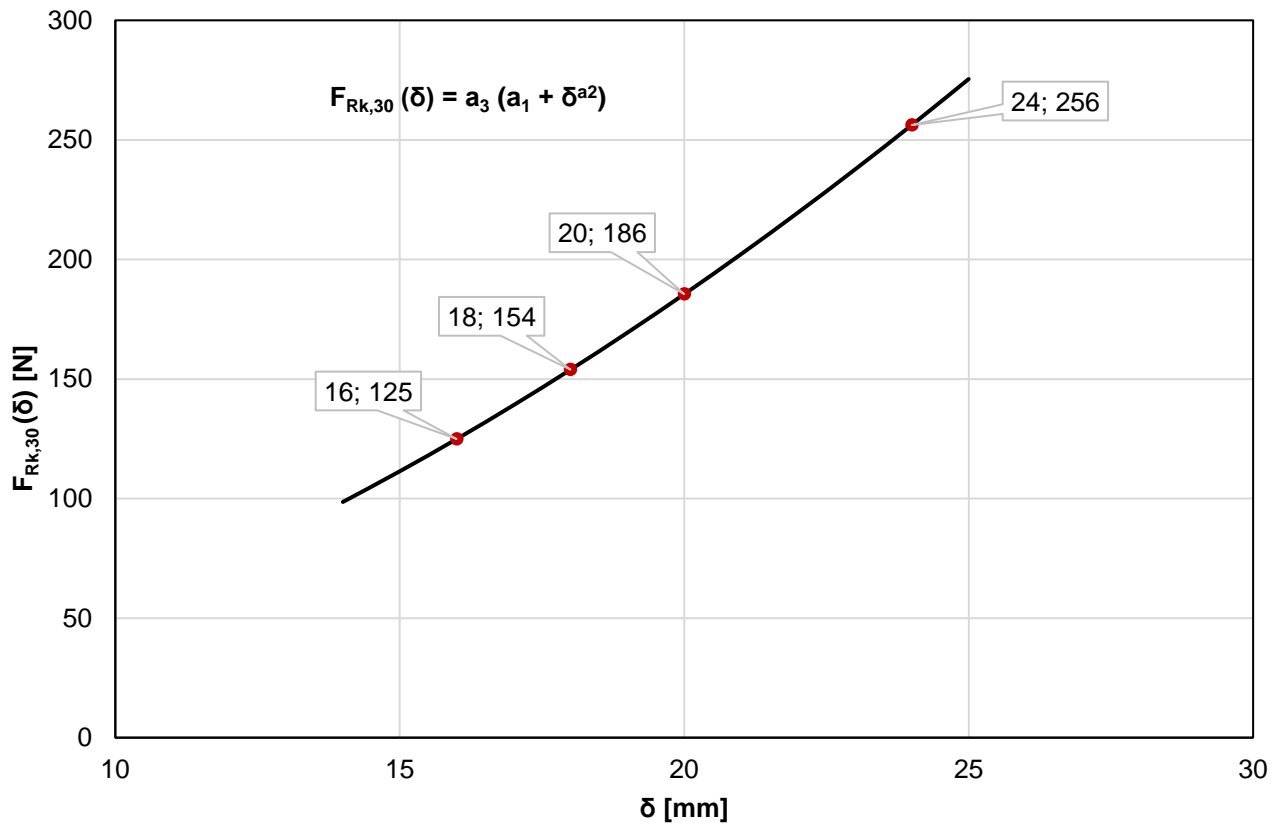
- δ Déformation
- δ<sub>max,t</sub> Déformation maximale après une durée d'exposition ≤ t minutes en cas d'incendie
- F<sub>Rk,30</sub> (δ) Déplacement en fonction de la charge pour une durée d'exposition time t = 30 minutes en cas d'incendie

**Colliers de serrage Hilti Ultimate MP-U, MP-U-I et MP-U-G**

**Déplacement en fonction du niveau de charge et déformations en cas d'incendie pour les colliers de serrage Hilti Ultimate MP-U-I 37-42 – MP-U-I 57-62 and MP-U 42-47 – MP-U 62-67**

**Annexe D11**

Figure D6: Courbe de régression selon le Tableau D6



Colliers de serrage Hilti Ultimate MP-U, MP-U-I et MP-U-G

Déplacement en fonction du niveau de charge et déformations en cas d'incendie pour les colliers de serrage Hilti Ultimate  
 MP-U-I 37-42 – MP-U-I 57-62 and MP-U 42-47 – MP-U 62-67

Annexe D12

**Tableau D7: Résistance  $F_{Rk,t}$  des colliers de serrage Hilti Ultimate MP-U-I 62-67 – MP-U-I 90-96 et MP-U 67-72 – MP-U 95-101 en cas d’incendie après  $t = 30, 60$  et  $90$  minutes**

Numéro de produit	Référence	Paramètres de la courbe de régression	$F_{Rk,t}$ [N]		
		$F_{Rk}(t) = c_3 (c_1 + c_2 / t)$	$F_{Rk,30}$	$F_{Rk,60}$	$F_{Rk,90}$
2242270	MP-U-I 62-67 M8/10	$c_1 = 102,2415$ $c_2 = 19244,9886$ $c_3 = 0,92677$ $29 \text{ min} \leq t \leq 91 \text{ min}$	689,3	392,0	292,9
2242271	MP-U-I 67-72 M8/10				
2242272	MP-U-I 72-77 2 ½" M8/10				
2242273	MP-U-I 78-84 M8/10				
2242274	MP-U-I 84-90 3" M8/10				
2242275	MP-U-I 90-96 M8/10				
2242346	MP-U 67-72 M8/10				
2242347	MP-U 72-77 2 ½" M8/10				
2242348	MP-U 77-82 M8/10				
2242349	MP-U 83-89 3" M8/10				
2242350	MP-U 89-95 M8/10				
2242351	MP-U 95-101 M8/10				

**Désignation**

$F_{Rk,t}$  Résistance après une durée d'exposition  $t$  en cas d'incendie [N]  
 $F_{Rk}(t)$  Résistance en fonction du temps en cas d'incendie [N]

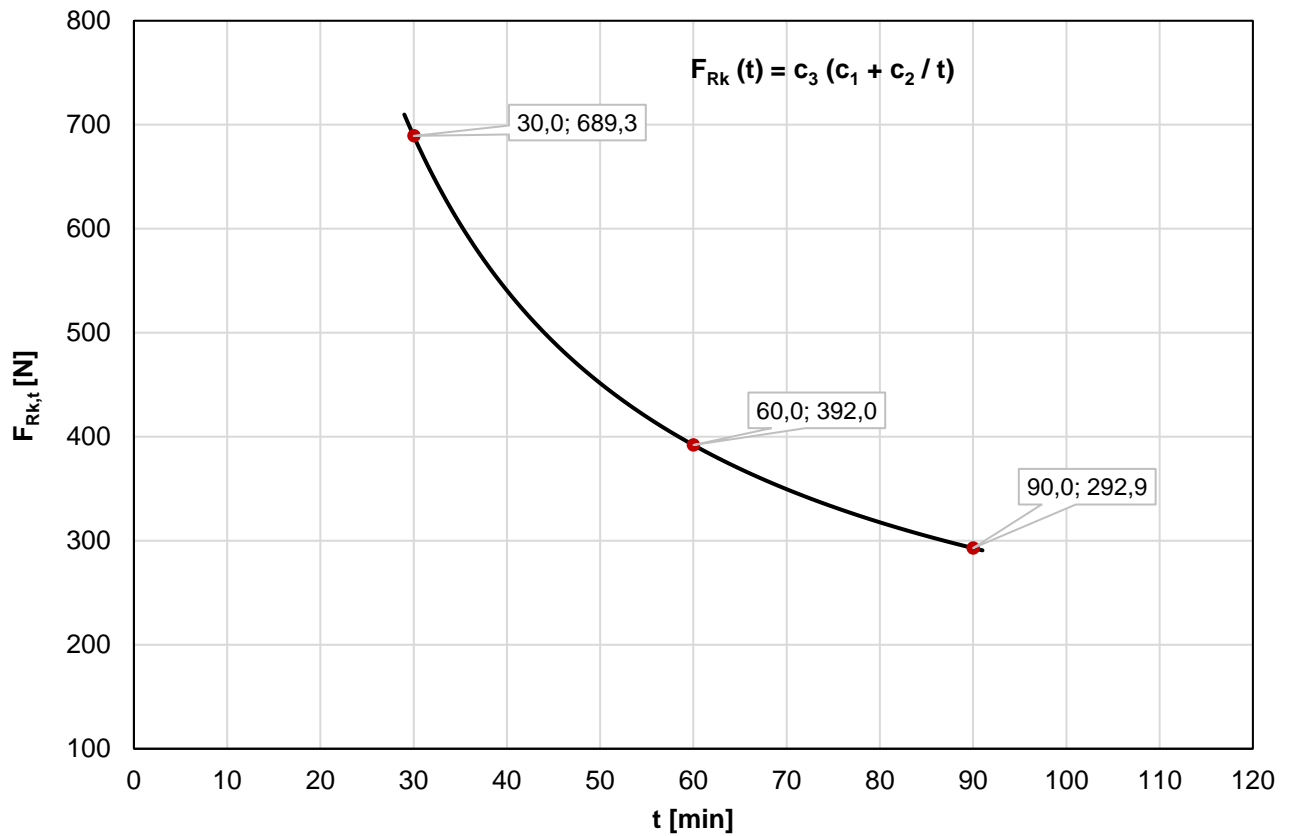
**Colliers de serrage Hilti Ultimate MP-U, MP-U-I et MP-U-G**

**Résistance en cas d’incendie pour les colliers de serrage Hilti Ultimate MP-U-I 62-67 – MP-U-I 90-96 and MP-U 67-72 – MP-U 95-101**

**Annexe D13**



Figure D7: Courbe de régression selon le Tableau D7



Hilti ultimate pipe clamps MP-U-I and MP-U

Résistance en cas d'incendie pour les colliers de serrage Hilti Ultimate  
MP-U-I 62-67 – MP-U-I 90-96 et MP-U 67-72 – MP-U 95-101

Annexe D14

**Tableau D8: Résistance  $F_{Rk,t}$  des colliers de serrage Hilti Ultimate MP-U-I 62-67 – MP-U-I 90-96 et MP-U 67-72 – MP-U 95-101 en cas d’incendie après  $t = 30, 60$  et  $90$  minutes**

Numéro de produit	Référence	Paramètres de la courbe de régression	$F_{Rk,t}$ [N]		
		$F_{Rk}(t) = c_3 (c_1 + c_2 / t)$	$F_{Rk,30}$	$F_{Rk,60}$	$F_{Rk,90}$
2242320	MP-U-I 62-67 M8/10/O16	$c_1 = 102,2415$ $c_2 = 15395,9909$ $c_3 = 0,92677$ $29 \text{ min} \leq t \leq 91 \text{ min}$	570,4	332,6	253,3
2242321	MP-U-I 67-72 M8/10/O16				
2242322	MP-U-I 72-77 2 1/2" M8/10/O16				
2242323	MP-U-I 78-84 M8/10/O16				
2242324	MP-U-I 84-90 3" M8/10/O16				
2242325	MP-U-I 90-96 M8/10/O16				
2242295	MP-U-I 62-67 M8/10/1/2"				
2242296	MP-U-I 67-72 M8/10/1/2"				
2242297	MP-U-I 72-77 2 1/2" M8/10/1/2"				
2242298	MP-U-I 78-84 M8/10/1/2"				
2242299	MP-U-I 84-90 3" M8/10/1/2"				
2242300	MP-U-I 90-96 M8/10/1/2"				
2242371	MP-U 67-72 M8/10/1/2"				
2242372	MP-U 72-77 2 1/2" M8/10/1/2"				
2242373	MP-U 77-82 M8/10/1/2"				
2242374	MP-U 83-89 3" M8/10/1/2"				
2242375	MP-U 89-95 M8/10/1/2"				
2242376	MP-U 95-101 M8/10/1/2"				

**Désignation**

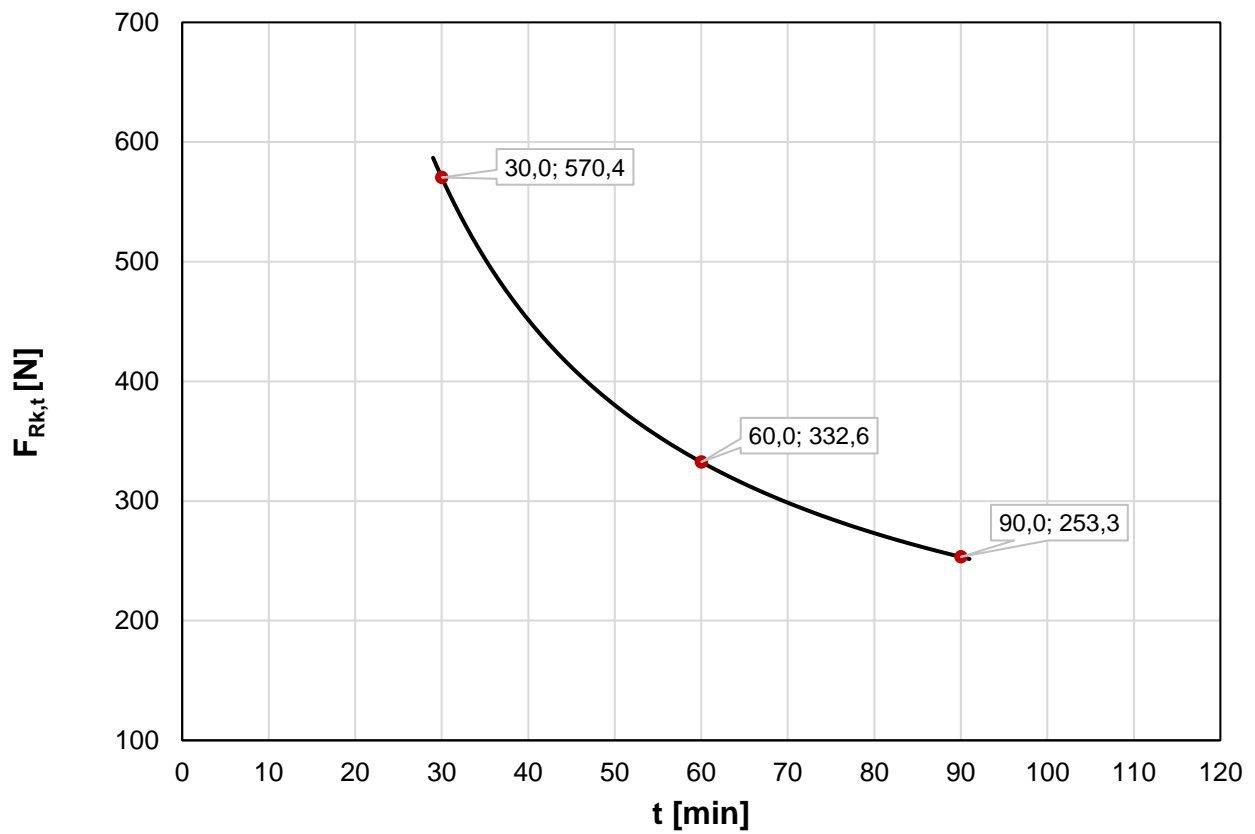
$F_{Rk,t}$  Résistance après une durée d’exposition  $t$  en cas d’incendie [N]  
 $F_{Rk}(t)$  Résistance en fonction du temps en cas d’incendie [N]

**Colliers de serrage Hilti Ultimate MP-U, MP-U-I et MP-U-G**

**Résistance en cas d’incendie pour les colliers de serrage Hilti Ultimate MP-U-I 62-67 – MP-U-I 90-96 and MP-U 67-72 – MP-U 95-101**

**Annexe D15**

Figure D8: Courbe de régression selon le Tableau D8



Colliers de serrage Hilti Ultimate MP-U, MP-U-I et MP-U-G

Résistance en cas d'incendie pour les colliers de serrage Hilti Ultimate  
MP-U-I 62-67 – MP-U-I 90-96 and MP-U 67-72 – MP-U 95-101

Annexe D16

**Tableau D9: Déplacement en fonction de la charge et déformations des colliers de serrage Hilti Ultimate MP-U-I 62-67 – MP-U-I 90-96 et MP-U 67-72 – MP-U 95-101 en cas d'incendie**

Numéro de produit	Référence	Paramètres de la courbe de régression	F <sub>Rk,30</sub> (δ) [N]				δ <sub>max,t</sub> [mm]	
			F <sub>Rk,30</sub> (16)	F <sub>Rk,30</sub> (20)	F <sub>Rk,30</sub> (24)	F <sub>Rk,30</sub> (28)	δ <sub>max,60</sub>	δ <sub>max,90</sub>
2242270	MP-U-I 62-67 M8/10	a <sub>1</sub> = 5,1603 a <sub>2</sub> = 1,4856 a <sub>3</sub> = 0,903 15 mm ≤ δ ≤ 29 mm	286,6	399,2	523,5	658,2	32,9	32,9
2242271	MP-U-I 67-72 M8/10							
2242272	MP-U-I 72-77 2 ½" M8/10							
2242273	MP-U-I 78-84 M8/10							
2242274	MP-U-I 84-90 3" M8/10							
2242275	MP-U-I 90-96 M8/10							
2242346	MP-U 67-72 M8/10							
2242347	MP-U 72-77 2 ½" M8/10							
2242348	MP-U 77-82 M8/10							
2242349	MP-U 83-89 3" M8/10							
2242350	MP-U 89-95 M8/10							
2242351	MP-U 95-101 M8/10							
2242320	MP-U-I 62-67 M8/10/O16							
2242321	MP-U-I 67-72 M8/10/O16							
2242322	MP-U-I 72-77 2 ½" M8/10/O16							
2242323	MP-U-I 78-84 M8/10/O16							
2242324	MP-U-I 84-90 3" M8/10/O16							
2242325	MP-U-I 90-96 M8/10/O16							
2242295	MP-U-I 62-67 M8/10/½"							
2242296	MP-U-I 67-72 M8/10/½"							
2242297	MP-U-I 72-77 2 ½" M8/10/½"							
2242298	MP-U-I 78-84 M8/10/½"							
2242299	MP-U-I 84-90 3" M8/10/½"							
2242300	MP-U-I 90-96 M8/10/½"							
2242371	MP-U 67-72 M8/10/½"							
2242372	MP-U 72-77 2 ½" M8/10/½"							
2242373	MP-U 77-82 M8/10/½"							
2242374	MP-U 83-89 3" M8/10/½"							
2242375	MP-U 89-95 M8/10/½"							
2242376	MP-U 95-101 M8/10/½"							

**Symboles et désignation**

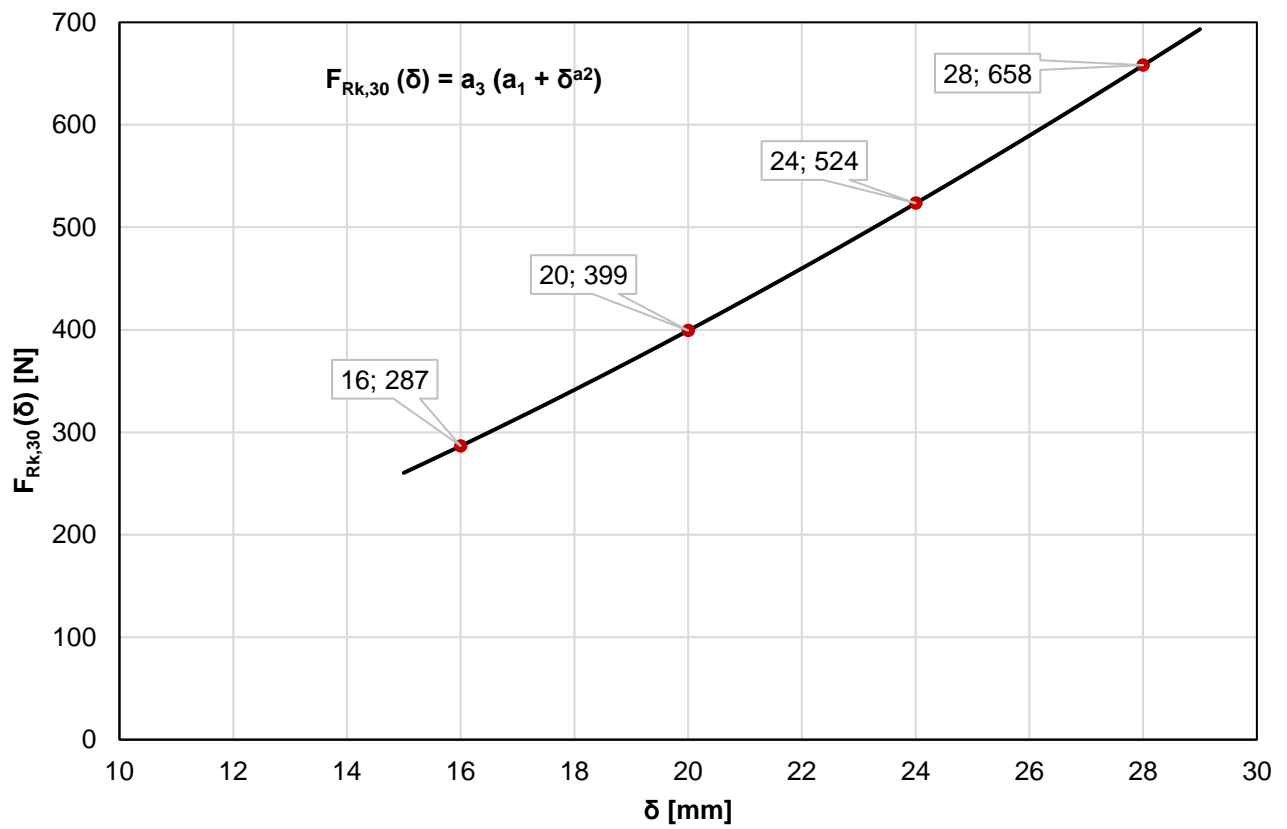
- δ Déformation
- δ<sub>max,t</sub> Déformation maximale après une durée d'exposition ≤ t minutes en cas d'incendie
- F<sub>Rk,30</sub>(δ) Déplacement en fonction de la charge pour une durée d'exposition time t = 30 minutes en cas d'incendie

**Colliers de serrage Hilti Ultimate MP-U, MP-U-I et MP-U-G**

**Déplacement en fonction du niveau de charge et déformations en cas d'incendie pour les colliers de serrage Hilti Ultimate MP-U-I 62-67 – MP-U-I 90-96 et MP-U 67-72 – MP-U 95-101**

**Annexe D17**

Figure D9: Courbe de régression selon le Tableau D9



Colliers de serrage Hilti Ultimate MP-U, MP-U-I et MP-U-G

Déplacement en fonction du niveau de charge et déformations en cas d'incendie pour les colliers de serrage Hilti Ultimate  
 MP-U-I 62-67 – MP-U-I 90-96 and MP-U 67-72 – MP-U 95-101

Annexe D18

**Tableau D10: Resistance  $F_{Rk,t}$  des colliers de serrage Hilti Ultimate MP-U-I 97-103 – MP-U-I 135-141 et MP-U 102-108 – MP-U 141-147 en cas d'incendie après t = 30, 60 et 90 minutes**

Numéro de produit	Référence	Paramètres de la courbe de régression	$F_{Rk,t}$ [N]		
		$F_{Rk}(t) = c_3 (c_1 + c_2 / t)$	$F_{Rk,30}$	$F_{Rk,60}$	$F_{Rk,90}$
2242276	MP-U-I 97-103 M8/10	$c_1 = 93,8086$ $c_2 = 28582,3739$ $c_3 = 0,871219$ $27 \text{ min} \leq t \leq 98 \text{ min}$	911,8	496,8	358,4
2242277	MP-U-I 103-109 M8/10				
2242278	MP-U-I 109-115 4" M8/10				
2242279	MP-U-I 115-121 M8/10				
2242280	MP-U-I 122-128 M8/10				
2242281	MP-U-I 129-135 M8/10				
2305365	MP-U-I 135-141 5" M8/10				
2242352	MP-U 102-108 M8/10				
2242353	MP-U 109-115 4" M8/10				
2242354	MP-U 115-121 M8/10				
2242355	MP-U 121-127 M8/10				
2242356	MP-U 128-134 M8/10				
2242357	MP-U 135-141 5" M8/10				
2305351	MP-U 141-147 M8/10				

**Désignation**

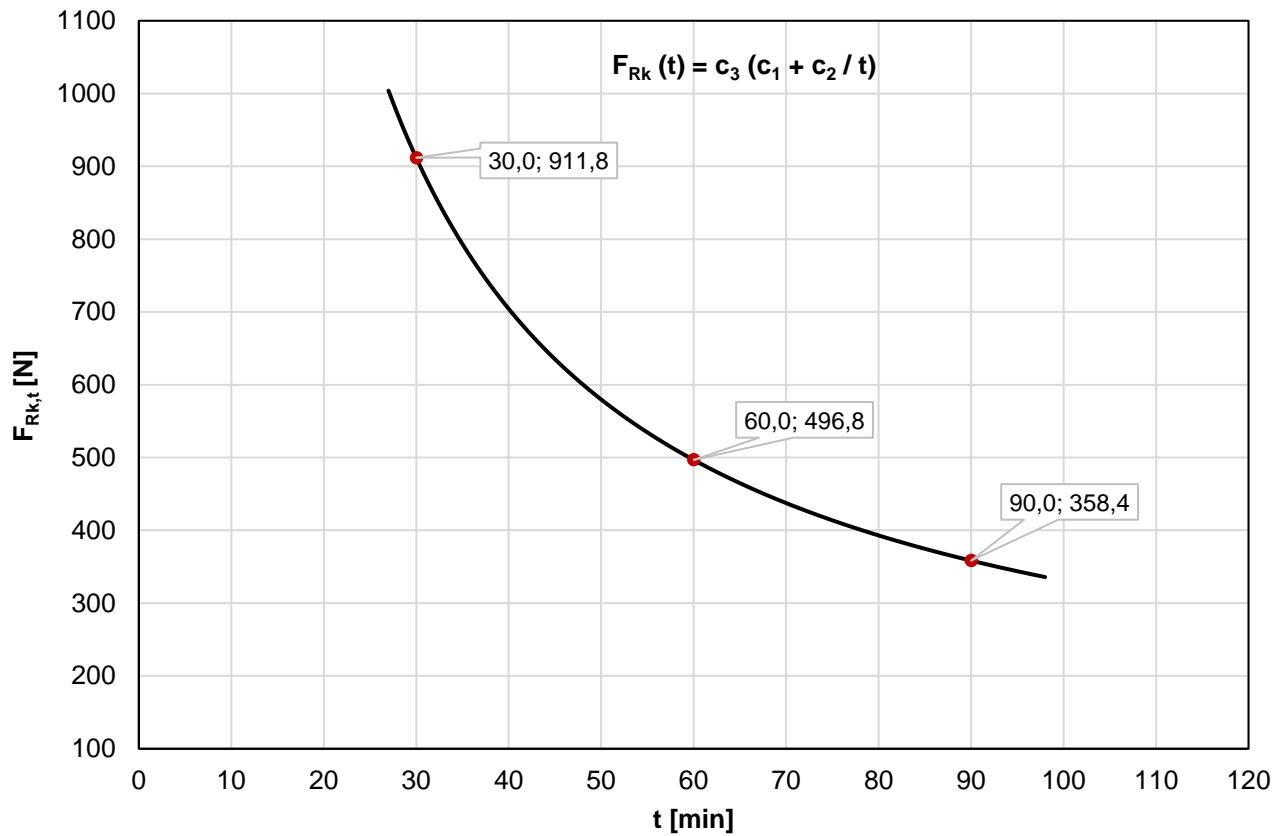
$F_{Rk,t}$             Resistance après une durée d'exposition t en cas d'incendie [N]  
 $F_{Rk}(t)$         Resistance en fonction du temps en cas d'incendie [N]

**Colliers de serrage Hilti Ultimate MP-U, MP-U-I et MP-U-G**

**Résistance en cas d'incendie pour les colliers de serrage Hilti Ultimate MP-U-I 97-103 – MP-U-I 135-141 et MP-U 102-108 – MP-U 141-147**

**Annexe D19**

Figure D10: Courbe de régression selon le Tableau D10



Colliers de serrage Hilti Ultimate MP-U, MP-U-I et MP-U-G

Résistance en cas d'incendie pour les colliers de serrage Hilti Ultimate  
MP-U-I 97-103 – MP-U-I 135-141 et MP-U 102-108 – MP-U 141-147

Annexe D20

**Tableau D11: Resistance  $F_{Rk,t}$  des colliers de serrage Hilti Ultimate MP-U-I 97-103 – MP-U-I 135-141 et MP-U 102-108 – MP-U 141-147 en cas d'incendie après  $t = 30, 60$  et  $90$  minutes**

Numéro de produit	Référence	Paramètres de la courbe de régression	$F_{Rk,t}$ [N]		
		$F_{Rk}(t) = c_3 (c_1 + c_2 / t)$	$F_{Rk,30}$	$F_{Rk,60}$	$F_{Rk,90}$
2242326	MP-U-I 97-103 M8/10/O16	$c_1 = 93,8086$ $c_2 = 22866,1849$ $c_3 = 0,871219$ $27 \text{ min} \leq t \leq 98 \text{ min}$	745,8	413,7	303,1
2242327	MP-U-I 103-109 M8/10/O16				
2242328	MP-U-I 109-115 4" M8/10/O16				
2242329	MP-U-I 115-121 M8/10/O16				
2242330	MP-U-I 122-128 M8/10/O16				
2242331	MP-U-I 129-135 M8/10/O16				
2305377	MP-U-I 135-141 5" M8/10/O16				
2242301	MP-U-I 97-103 M8/10/1/2"				
2242302	MP-U-I 103-109 M8/10/1/2"				
2242303	MP-U-I 109-115 4" M8/10/1/2"				
2242304	MP-U-I 115-121 M8/10/1/2"				
2242305	MP-U-I 122-128 M8/10/1/2"				
2242306	MP-U-I 129-135 M8/10/1/2"				
2305371	MP-U-I 135-141 5" M8/10/1/2"				
2242377	MP-U 102-108 M8/10/1/2"				
2242378	MP-U 109-115 4" M8/10/1/2"				
2242379	MP-U 115-121 M8/10/1/2"				
2242380	MP-U 121-127 M8/10/1/2"				
2242235	MP-U 128-134 M8/10/1/2"				
2242332	MP-U 135-141 5" M8/10/1/2"				
2305357	MP-U 141-147 M8/10/1/2"				

**Désignation**

$F_{Rk,t}$             Resistance après une durée d'exposition  $t$  en cas d'incendie [N]  
 $F_{Rk}(t)$            Resistance en fonction du temps en cas d'incendie [N]

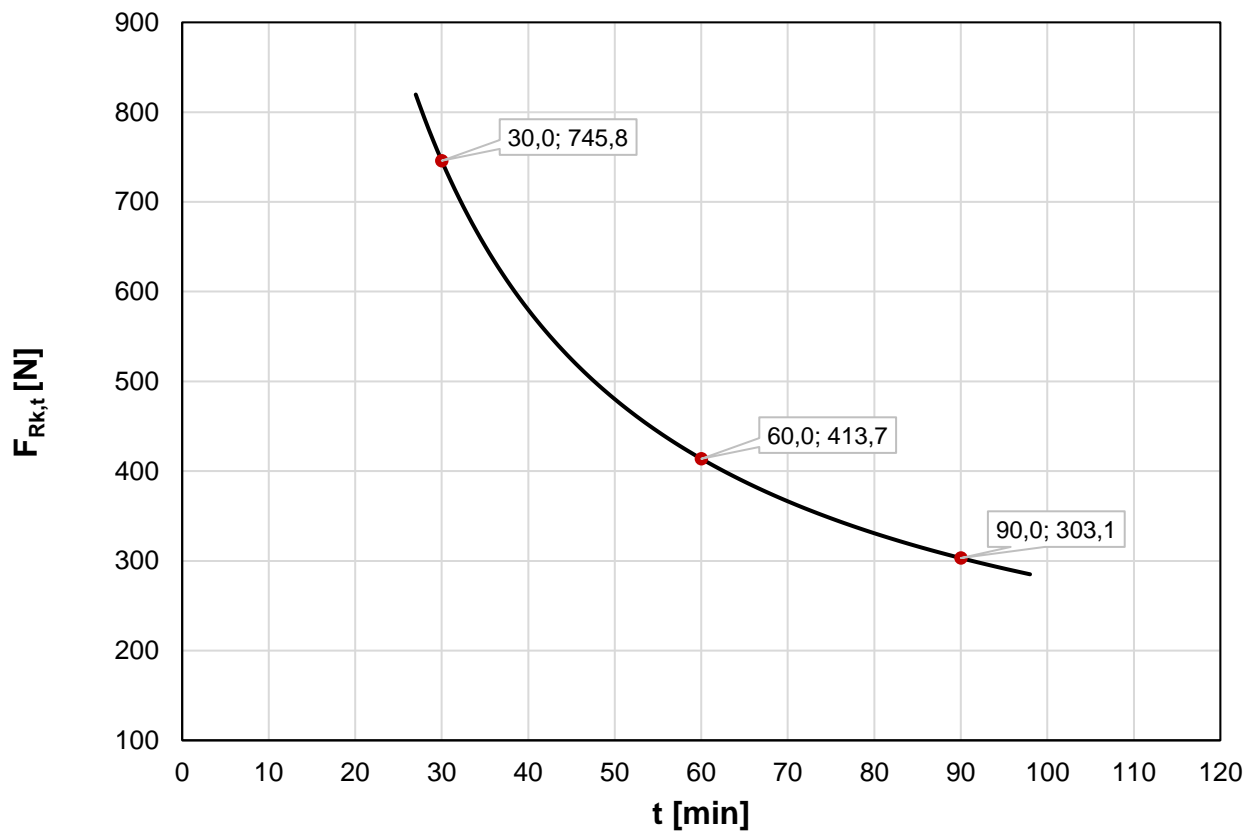
**Colliers de serrage Hilti Ultimate MP-U, MP-U-I et MP-U-G**

**Résistance en cas d'incendie pour les colliers de serrage Hilti Ultimate MP-U-I 97-103 – MP-U-I 135-141 et MP-U 102-108 – MP-U 141-147**

**Annexe D21**



Figure D11: Courbe de régression selon le Tableau D11



Colliers de serrage Hilti Ultimate MP-U, MP-U-I et MP-U-G

Résistance en cas d'incendie pour les colliers de serrage Hilti Ultimate  
 MP-U-I 97-103 – MP-U-I 135-141 et MP-U 102-108 – MP-U 141-147

Annexe D22

**Tableau D12: Déplacement en fonction de la charge et déformations des colliers de serrage Hilti Ultimate MP-U-I 97-103 – MP-U-I 135-141 et MP-U 102-108 – MP-U 141-147 en cas d’incendie**

Numéro de produit	Référence	Paramètres de la courbe de régression	F <sub>Rk,30</sub> (δ) [N]				δ <sub>max,t</sub> [mm]	
			F <sub>Rk,30</sub> (20)	F <sub>Rk,30</sub> (24)	F <sub>Rk,30</sub> (28)	F <sub>Rk,30</sub> (30)	δ <sub>max,60</sub>	δ <sub>max,90</sub>
2242276	MP-U-I 97-103 M8/10	$F_{Rk,30}(\delta) = a_3(a_1 + \delta^{a_2})$ a <sub>1</sub> = 3,1095 a <sub>2</sub> = 1,6655 a <sub>3</sub> = 0,8348 19 mm ≤ δ ≤ 32 mm	381,2	516,4	667,5	748,8	41,5	52,7
2242277	MP-U-I 103-109 M8/10							
2242278	MP-U-I 109-115 4" M8/10							
2242279	MP-U-I 115-121 M8/10							
2242280	MP-U-I 122-128 M8/10							
2242281	MP-U-I 129-135 M8/10							
2305365	MP-U-I 135-141 5" M8/10							
2242352	MP-U 102-108 M8/10							
2242353	MP-U 109-115 4" M8/10							
2242354	MP-U 115-121 M8/10							
2242355	MP-U 121-127 M8/10							
2242356	MP-U 128-134 M8/10							
2242357	MP-U 135-141 5" M8/10							
2305351	MP-U 141-147 M8/10							
2242326	MP-U-I 97-103 M8/10/O16							
2242327	MP-U-I 103-109 M8/10/O16							
2242328	MP-U-I 109-115 4" M8/10/O16							
2242329	MP-U-I 115-121 M8/10/O16							
2242330	MP-U-I 122-128 M8/10/O16							
2242331	MP-U-I 129-135 M8/10/O16							
2305377	MP-U-I 135-141 5" M8/10/O16							
2242301	MP-U-I 97-103 M8/10/1/2"							
2242302	MP-U-I 103-109 M8/10/1/2"							
2242303	MP-U-I 109-115 4" M8/10/1/2"							
2242304	MP-U-I 115-121 M8/10/1/2"							
2242305	MP-U-I 122-128 M8/10/1/2"							
2242306	MP-U-I 129-135 M8/10/1/2"							
2305371	MP-U-I 135-141 5" M8/10/1/2"							
2242377	MP-U 102-108 M8/10/1/2"							
2242378	MP-U 109-115 4" M8/10/1/2"							
2242379	MP-U 115-121 M8/10/1/2"							
2242380	MP-U 121-127 M8/10/1/2"							
2242235	MP-U 128-134 M8/10/1/2"							
2242332	MP-U 135-141 5" M8/10/1/2"							
2305357	MP-U 141-147 M8/10/1/2"							

**Désignation**

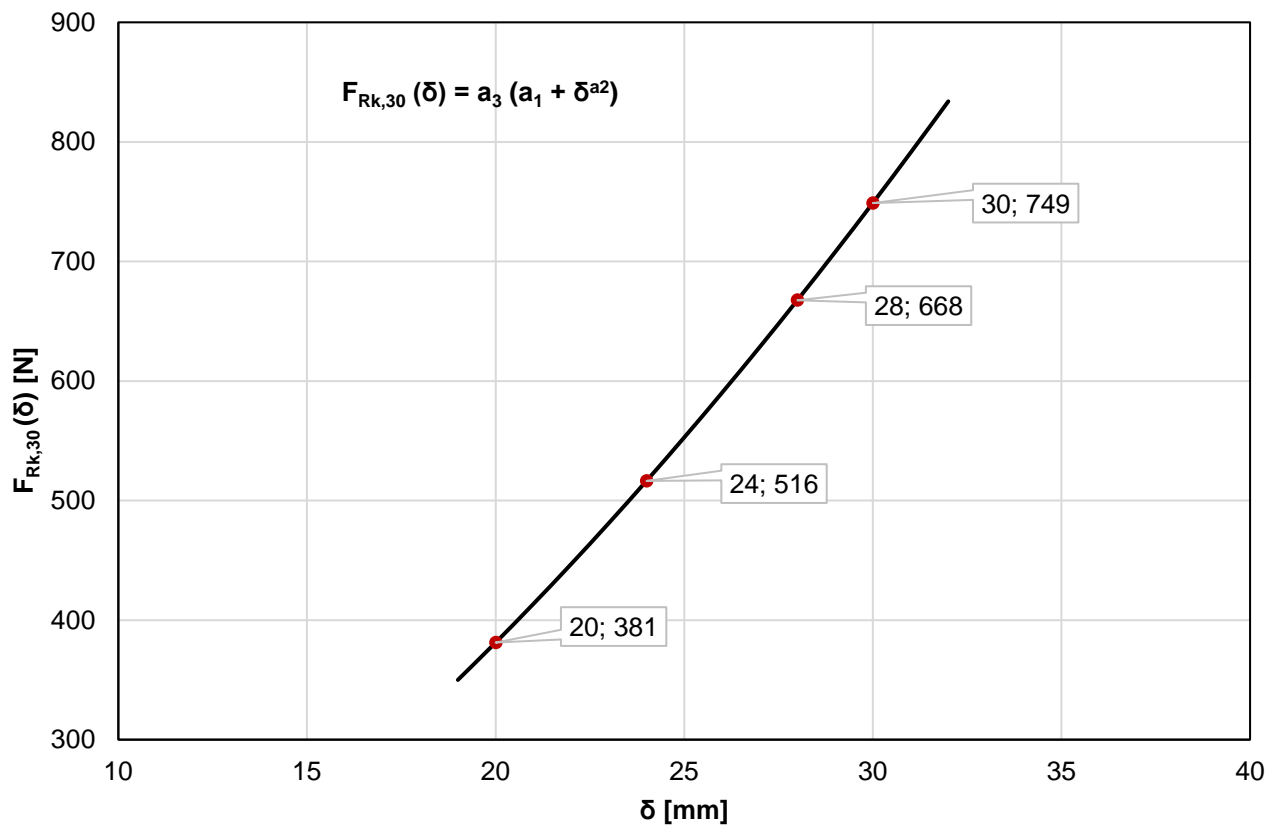
- δ Déformation
- δ<sub>max,t</sub> Déformation maximale après une durée d'exposition ≤ t minutes en cas d'incendie
- F<sub>Rk,30</sub>(δ) Déplacement en fonction de la charge pour une durée d'exposition time t = 30 minutes en cas d'incendie

**Colliers de serrage Hilti Ultimate MP-U, MP-U-I et MP-U-G**

**Déplacement en fonction du niveau de charge et déformations en cas d'incendie pour les colliers de serrage Hilti Ultimate MP-U-I 97-103 – MP-U-I 135-141 and MP-U 102-108 – MP-U 141-147**

**Annexe D23**

Figure D12: Courbe de régression selon le Tableau D12



Colliers de serrage Hilti Ultimate MP-U, MP-U-I et MP-U-G

Déplacement en fonction du niveau de charge et déformations en cas d'incendie pour les colliers de serrage Hilti Ultimate  
 MP-U-I 97-103 – MP-U-I 135-141 et MP-U 102-108 – MP-U 141-147

Annexe D24

**Tableau D13: Resistance  $F_{Rk,t}$  des colliers de serrage Hilti Ultimate MP-U-I 141-147 – MP-U-I 165-170 et MP-U 147-153 – MP-U 170-176 en cas d’incendie après t = 30, 60 et 90 minutes**

Numéro de produit	Référence	Paramètres de la courbe de régression	$F_{Rk,t}$ [N]		
		$F_{Rk}(t) = c_3 (c_1 + c_2 / t)$	$F_{Rk,30}$	$F_{Rk,60}$	$F_{Rk,90}$
2305366	MP-U-I 141-147 M8/10	$c_1 = 150,3069$ $c_2 = 29298,0467$ $c_3 = 0,881442$ $27 \text{ min} \leq t \leq 112 \text{ min}$	993,3	562,9	419,4
2305367	MP-U-I 147-153 M8/10				
2305368	MP-U-I 154-160 M8/10				
2305369	MP-U-I 160-166 6" M8/10				
2305370	MP-U-I 164-170 M8/10				
2305352	MP-U 147-153 M8/10				
2305353	MP-U 153-159 M8/10				
2305354	MP-U 160-166 6" M8/10				
2305355	MP-U 166-172 M8/10				
2305356	MP-U 170-176 M8/10				

**Désignation**

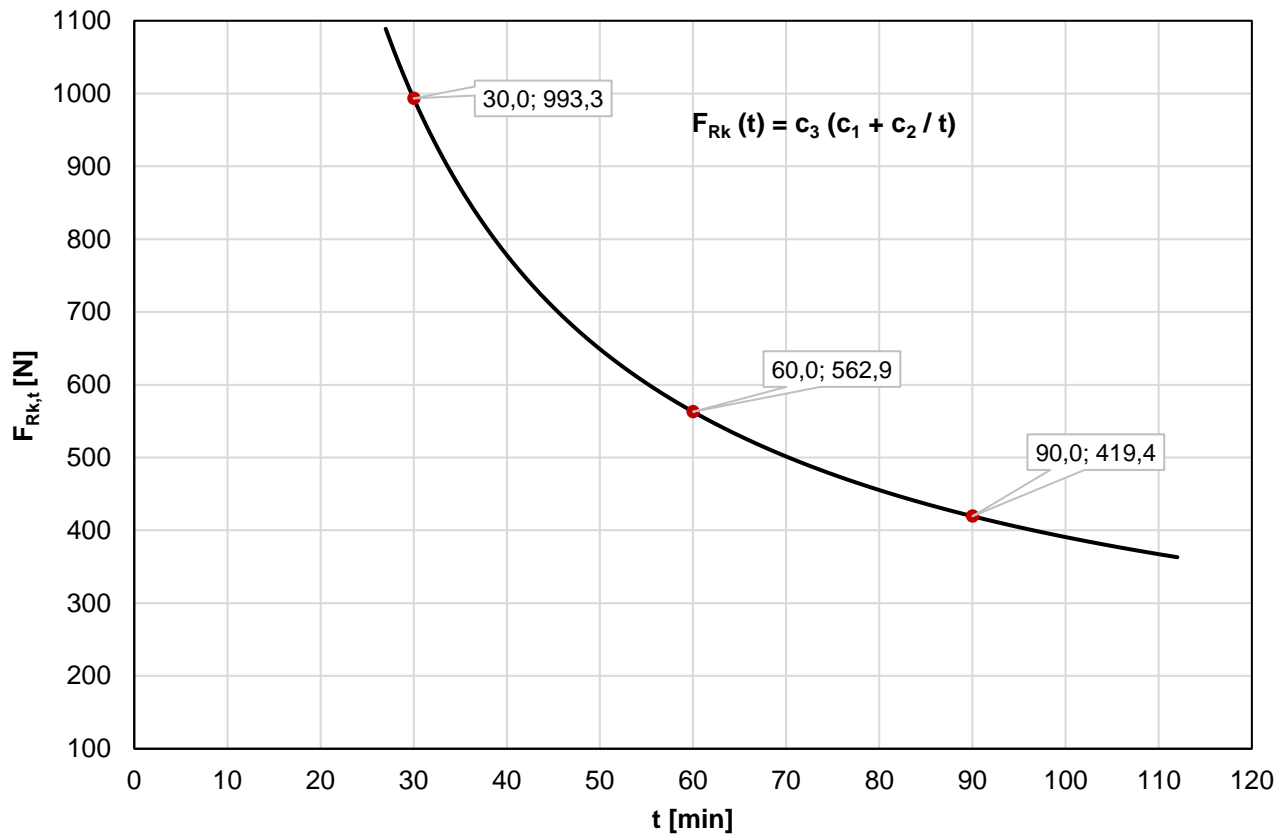
$F_{Rk,t}$             Résistance après une durée d’exposition t en cas d’incendie [N]  
 $F_{Rk}(t)$         Résistance en fonction du temps en cas d’incendie [N]

**Colliers de serrage Hilti Ultimate MP-U, MP-U-I et MP-U-G**

**Résistance en cas d’incendie pour les colliers de serrage Hilti Ultimate MP-U-I 141-147 – MP-U-I 165-170 et MP-U 147-153 – MP-U 170-176**

**Annexe D25**

Figure D13: Courbe de régression selon le Tableau D13



Colliers de serrage Hilti Ultimate MP-U, MP-U-I et MP-U-G

Résistance en cas d'incendie pour les colliers de serrage Hilti Ultimate  
MP-U-I 141-147 – MP-U-I 165-170 et MP-U 147-153 – MP-U 170-176

Annexe D26

**Tableau D14: Résistance  $F_{Rk,t}$  des colliers de serrage Hilti Ultimate MP-U-I 141-147 – MP-U-I 165-170 et MP-U 147-153 – MP-U 170-176 en cas d'incendie après  $t = 30, 60$  et  $90$  minutes**

Numéro de produit	Référence	Paramètres de la courbe de régression	$F_{Rk,t}$ [N]		
			$F_{Rk,30}$	$F_{Rk,60}$	$F_{Rk,90}$
2305378	MP-U-I 141-147 M8/10/O16	$c_1 = 150,3069$ $c_2 = 23435,1849$ $c_3 = 0,881442$ $27 \text{ min} \leq t \leq 112 \text{ min}$	821,1	476,8	362,0
2305379	MP-U-I 147-153 M8/10/O16				
2305380	MP-U-I 154-160 M8/10/O16				
2305381	MP-U-I 160-166 6" M8/10/O16				
2305382	MP-U-I 164-170 M8/10/O16				
2305372	MP-U-I 141-147 M8/10/1/2"				
2305373	MP-U-I 147-153 M8/10/1/2"				
2305374	MP-U-I 154-160 M8/10/1/2"				
2305375	MP-U-I 160-166 6" M8/10/1/2"				
2305376	MP-U-I 164-170 M8/10/1/2"				
2305358	MP-U 147-153 M8/10/1/2"				
2305359	MP-U 153-159 M8/10/1/2"				
2305360	MP-U 160-166 6" M8/10/1/2"				
2305361	MP-U 166-172 M8/10/1/2"				
2305362	MP-U 170-176 M8/10/1/2"				

**Désignation**

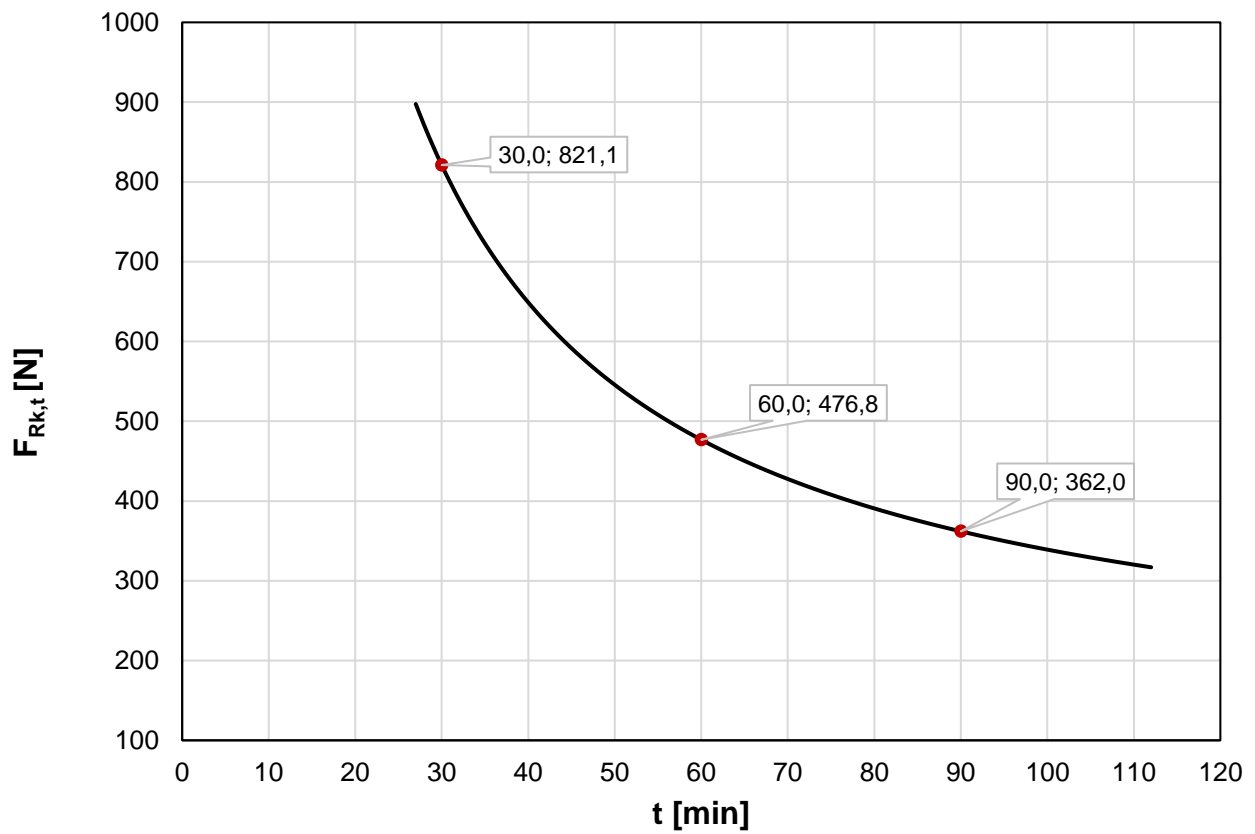
$F_{Rk,t}$  Résistance après une durée d'exposition  $t$  en cas d'incendie [N]  
 $F_{Rk}(t)$  Résistance en fonction du temps en cas d'incendie [N]

**Colliers de serrage Hilti Ultimate MP-U, MP-U-I et MP-U-G**

**Résistance en cas d'incendie pour les colliers de serrage Hilti Ultimate MP-U-I 141-147 – MP-U-I 165-170 et MP-U 147-153 – MP-U 170-176**

**Annexe D27**

Figure D14: Courbe de régression selon le Tableau D14



Colliers de serrage Hilti Ultimate MP-U, MP-U-I et MP-U-G

Résistance en cas d'incendie pour les colliers de serrage Hilti Ultimate  
 MP-U-I 141-147 – MP-U-I 165-170 et MP-U 147-153 – MP-U 170-176

Annexe D28

**Tableau D15: Déplacement en fonction de la charge et déformations des colliers de serrage Hilti Ultimate MP-U-I 141-147 – MP-U-I 165-170 et MP-U 147-153 – MP-U 170-176 en cas d’incendie**

Numéro de produit	Référence	Paramètres de la courbe de régression	F <sub>Rk,30</sub> (δ) [N]				δ <sub>max,t</sub> [mm]	
			F <sub>Rk,30</sub> (20)	F <sub>Rk,30</sub> (30)	F <sub>Rk,30</sub> (40)	F <sub>Rk,30</sub> (50)	δ <sub>max,60</sub>	δ <sub>max,90</sub>
2305366	MP-U-I 141-147 M8/10	$F_{Rk,30}(\delta) = a_3(a_1 + \delta^{a_2})$ a <sub>1</sub> = 10,3048 a <sub>2</sub> = 1,2434 a <sub>3</sub> = 0,7472 19 mm ≤ δ ≤ 50 mm	319,3	528,5	755,8	997,5	56,4	61,1
2305367	MP-U-I 147-153 M8/10							
2305368	MP-U-I 154-160 M8/10							
2305369	MP-U-I 160-166 6" M8/10							
2305370	MP-U-I 164-170 M8/10							
2305352	MP-U 147-153 M8/10							
2305353	MP-U 153-159 M8/10							
2305354	MP-U 160-166 6" M8/10							
2305355	MP-U 166-172 M8/10							
2305356	MP-U 170-176 M8/10							
2305378	MP-U-I 141-147 M8/10/O16							
2305379	MP-U-I 147-153 M8/10/O16							
2305380	MP-U-I 154-160 M8/10/O16							
2305381	MP-U-I 160-166 6" M8/10/O16							
2305382	MP-U-I 164-170 M8/10/O16							
2305372	MP-U-I 141-147 M8/10/½"							
2305373	MP-U-I 147-153 M8/10/½"							
2305374	MP-U-I 154-160 M8/10/½"							
2305375	MP-U-I 160-166 6" M8/10/½"							
2305376	MP-U-I 164-170 M8/10/½"							
2305358	MP-U 147-153 M8/10/½"							
2305359	MP-U 153-159 M8/10/½"							
2305360	MP-U 160-166 6" M8/10/½"							
2305361	MP-U 166-172 M8/10/½"							
2305362	MP-U 170-176 M8/10/½"							

**Désignation**

- δ Déformation
- δ<sub>max,t</sub> Déformation maximale pour une durée d’exposition ≤ t minutes en cas d’incendie
- F<sub>Rk,30</sub>(δ) Déplacement en fonction du niveau de charge pour une durée d’exposition t = 30 minutes en cas d’incendie

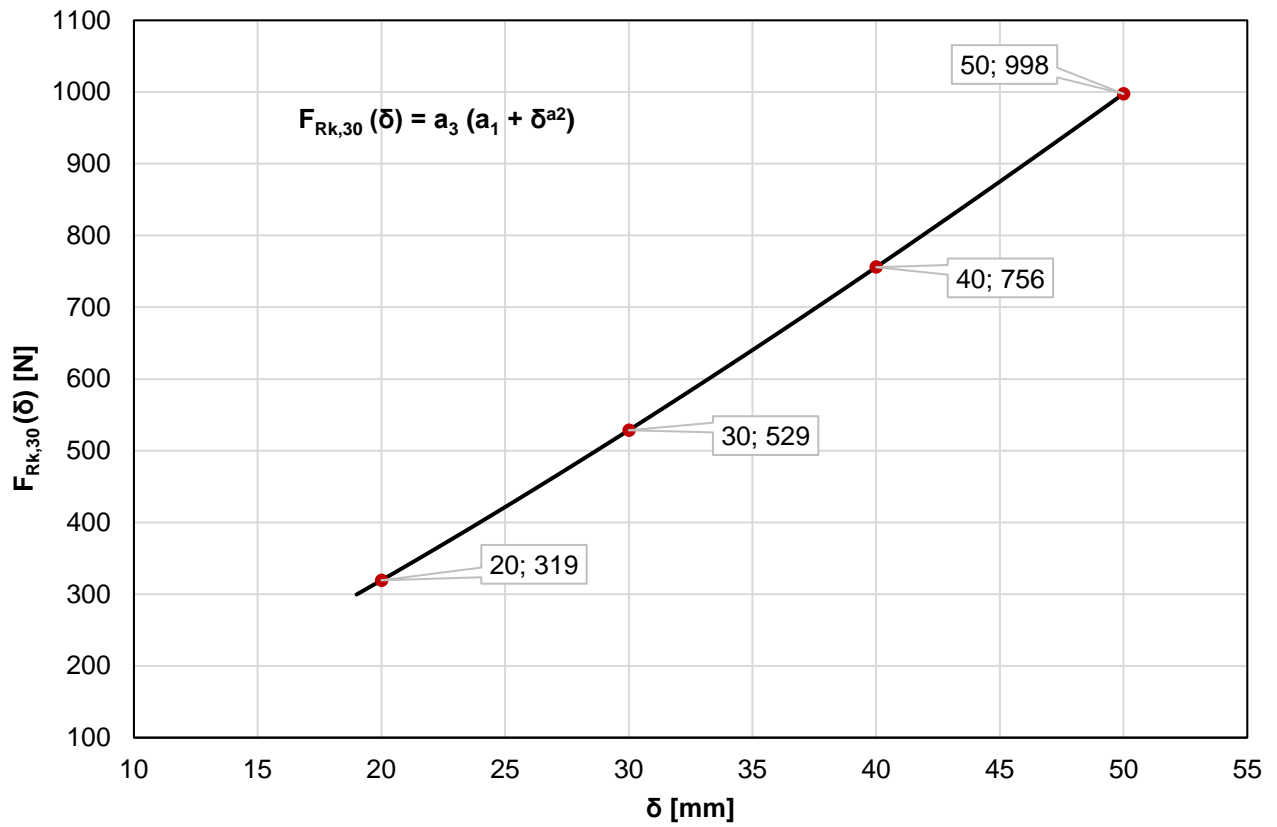
**Colliers de serrage Hilti Ultimate MP-U, MP-U-I et MP-U-G**

**Déplacement en fonction du niveau de charge et déformations en cas d’incendie pour les colliers de serrage Hilti Ultimate MP-U-I 141-147 – MP-U-I 165-170 et MP-U 147-153 – MP-U 170-176**

**Annexe D29**



Figure D15: Courbe de régression selon le Tableau D15

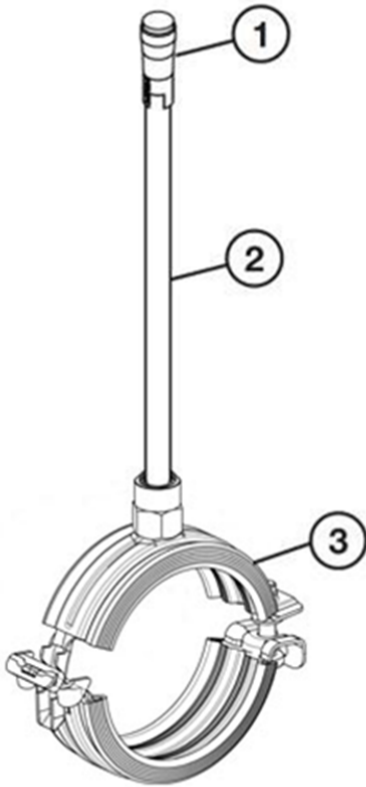


Colliers de serrage Hilti Ultimate MP-U, MP-U-I et MP-U-G

Déplacement en fonction du niveau de charge et déformations en cas d'incendie pour les colliers de serrage Hilti Ultimate  
 MP-U-I 141-147 – MP-U-I 165-170 et MP-U 147-153 – MP-U 170-176

Annexe D30

Figure E1: Liste des éléments et instructions de mise en œuvre



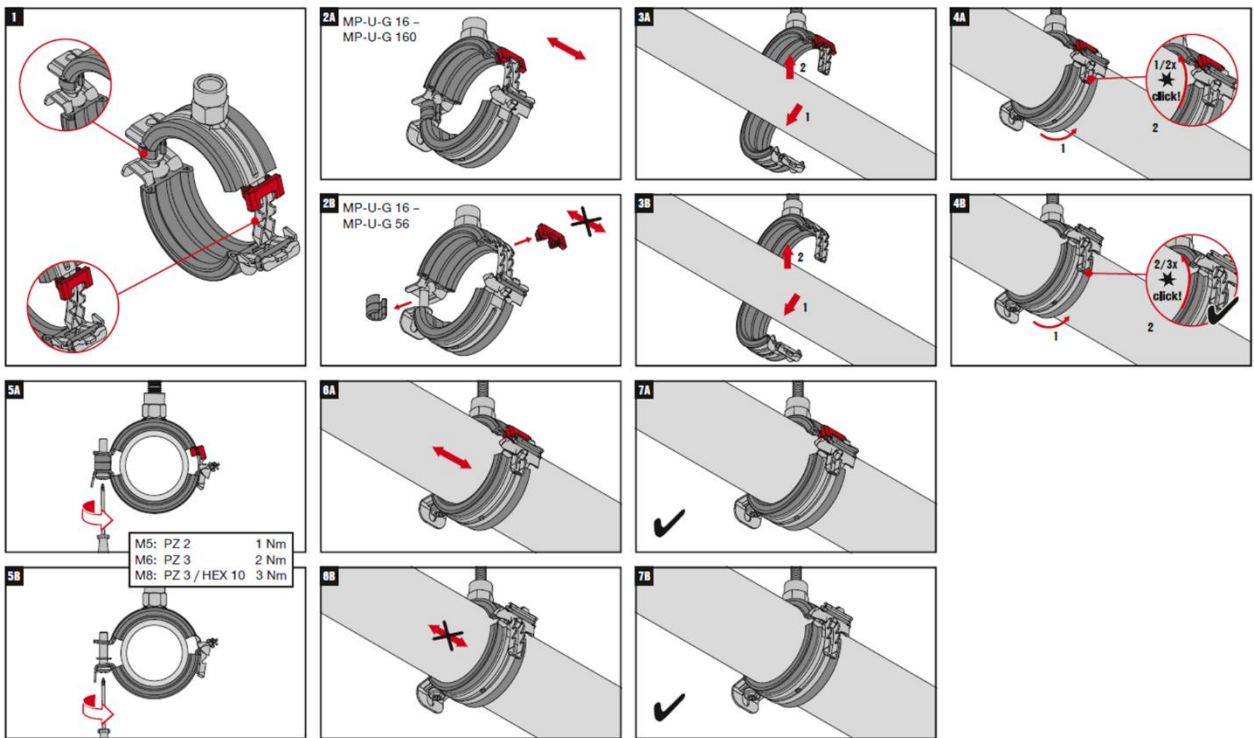
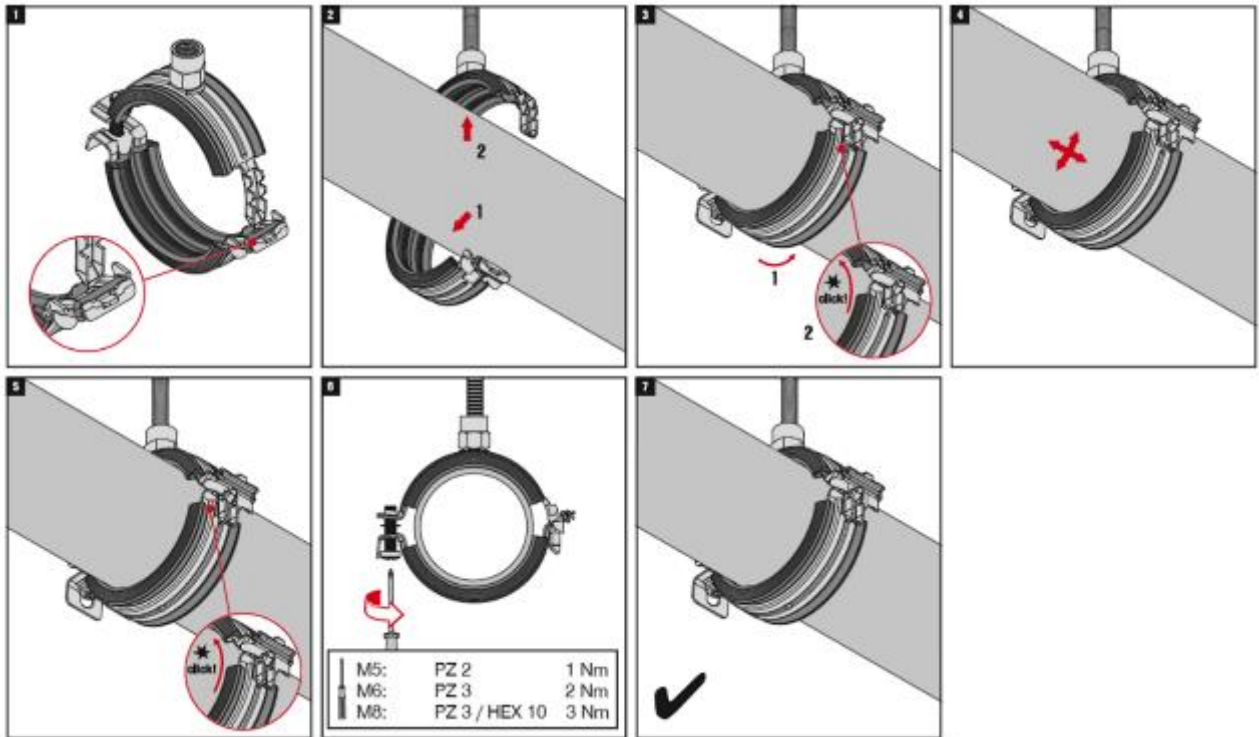
Bill of material					
Part of typical		Ref.	Opt.	Item No.	Description
Setup	Fixation	1	A	376967	HKD M10x40 drop-in anchor
		2	A*	339793	AM8x1000 4.8 threaded rod
				339794	AM8x2000 4.8 threaded rod
2	B**	216415	AM8x3000 4.8 threaded rod		
Pipe clamp	M8	3	A*	339795	AM10x1000 4.8 threaded rod
				216422	AM16x2000 4.8 threaded rod
				56428	GR-G 1/2"x2000 4.6 threaded rod
Pipe clamp	M8	3	A*	2242237 - 2242239 2242250 - 2242256 2305363 - 2305364	MP-U M8
Pipe clamp	M8/10 M8/10/O16 M8/10/1/2"	3	A B C D E	2242258 - 2305376***	MP-U M8/10 MP-U M8/1/2" MP-U-I M8/10 MP-U-I M8/10/O16 MP-U-I M8/10/1/2"
Pipe clamp	M8/10	3	A*	2275028 - 2275041	MP-U-G M8/10

\* Only for use under ambient temperature  
 \*\* In case of fire  
 \*\*\* Excluding item no. 2275020 to 2274899

Colliers de serrage Hilti Ultimate MP-U, MP-U-I et MP-U-G

Instructions générales d'assemblage

Annexe E1  
(informative)



Colliers de serrage Hilti Ultimate MP-U, MP-U-I et MP-U-G

Instructions générales d'assemblage

Annexe E2  
(informative)